

L-7113SYC-H SUPERBRIGHT YELLOW

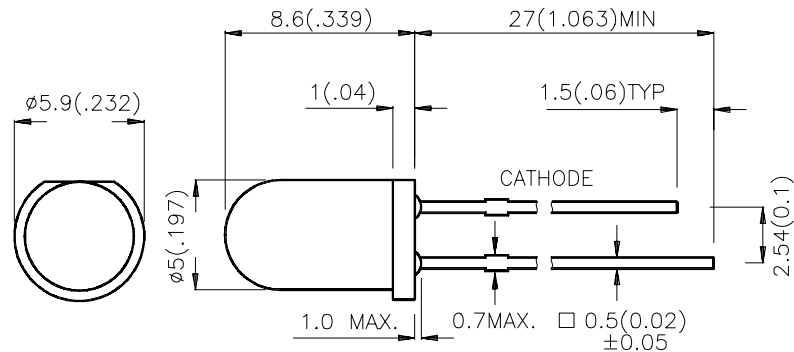
### Features

- ULTRABRIGHTNESS.
- WATER CLEAR LENS ARE AVAILABLE.
- OUTSTANDING MATERIAL EFFICIENCY.
- RELIABLE AND RUGGED.
- IC COMPATIBLE/LOW CURRENT CAPABILITY.

### Description

Super Bright Yellow source color devices are made with DH InGaAlP on GaAs substrate Light Emitting Diode.

### Package Dimensions



#### Notes:

1. All dimensions are in millimeters (inches).
2. Tolerance is  $\pm 0.25 (0.01)$ " unless otherwise noted.
3. Lead spacing is measured where the lead emerge package.
4. Specifications are subject to change without notice.

## Selection Guide

Part No.	Dice	Lens Type	Iv (mcd) @ 20 mA		Viewing Angle
			Min.	Typ.	2θ1/2
L-7113SYC-H	SUPER BRIGHT YELLOW (InGaAlP)	WATER CLEAR	1500	2100	20°

Note:

1. θ1/2 is the angle from optical centerline where the luminous intensity is 1/2 the optical centerline value.

## Electrical / Optical Characteristics at T<sub>A</sub>=25°C

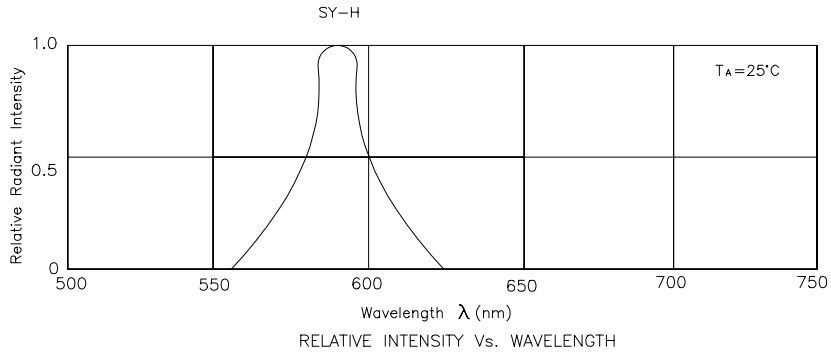
Symbol	Parameter	Device	Typ.	Max.	Units	Test Conditions
λ <sub>peak</sub>	Peak Wavelength	Super Bright Yellow (SY-H)	590		nm	IF=20mA
λ <sub>D</sub>	Dominate Wavelength	HSuper Bright Yellow (SY-H)	589		nm	IF=20mA
Δλ <sub>1/2</sub>	Spectral Line Halfwidth	Super Bright Yellow (SY-H)	20		nm	IF=20mA
C	Capacitance	Super Bright Yellow (SY-H)	45		pF	VR=0V;f=1MHz
V <sub>F</sub>	Forward Voltage	Super Bright Yellow (SY-H)	2.3	2.8	V	IF=20mA
I <sub>R</sub>	Reverse Current	Super Bright Yellow (SY-H)		10	μA	VR = 5V

## Absolute Maximum Ratings at T<sub>A</sub>=25°C

Parameter	Super Bright Yellow (SY-H)	Units
Power dissipation	120	mW
DC Forward Current	30	mA
Peak Forward Current [1]	140	mA
Reverse Voltage	5	V
Operating/Storage Temperature	-40°C To +85°C	
Lead Solder Temperature [2]	260°C For 5 Seconds	

Notes:

1. 1/10 Duty Cycle, 0.1ms Pulse Width.
2. 4mm below package base.



## Super Bright Yellow L-7113SYC-H

