

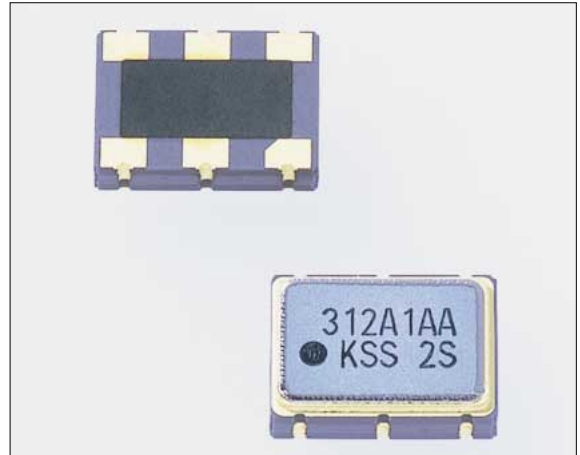
# FSO-1D

## Features

- Ultra Low Jitter.
- Complementary LVPECL Outputs.
- Operation at fundamental High Frequency.

## Applications

- SONET/SDH.
- 1 Gbit Ethernet, 10Gbit Ethernet.
- Fiber Channel.



Original Size

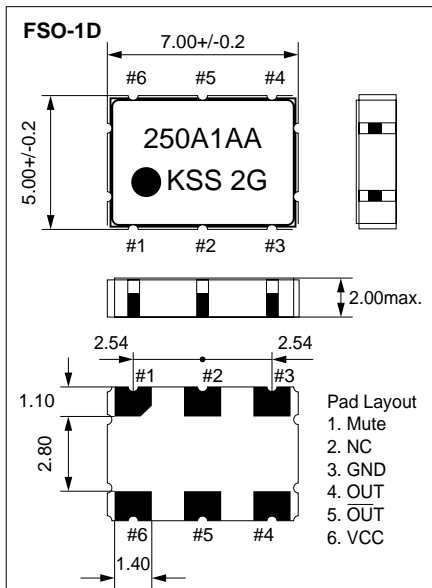
## Specifications

Type	FSO-1D
Frequency Range	50~330MHz
Standard Frequency	Table 1
Frequency Stability	$\pm 100 \times 10^{-6}$ (All over)
Operation Temperature Range	$\pm 0 \sim +70^{\circ}\text{C}$
Storage Temperature Range	$-40 \sim +85^{\circ}\text{C}$
Supply Voltage	3.3V $\pm 5\%$
Current	50mA max.
Load	50 $\Omega$ Terminated Vcc-2V
Output Level	Voh: 2.275V min./Vol: 1.68V max.
Symmetry	50% $\pm 5\%$ at outputs cross point
Raise Time/Fall Time	1ns max.(20%,80%)
Start-up Time	10ms max.
Jitter ( $\sigma$ )	5ps rms max.
Weight	0.2g

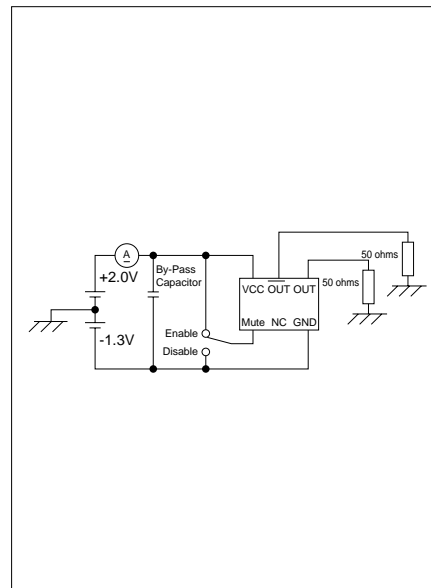
## Table 1 Original Frequencies

Table 1
Standard Frequency (MHz)
80
125
155.52
156.25
250
312.5

## Outline



## Typical External Component Connection



## Land Pattern (reference)

