

3.2mm SQUARE ISOLATOR

MODEL ESI-3EAR 2.017 G 01 - T

(1) (2) (3) (4) (5)

- (1) Series ESI-3EAR : 1.6mm Height
- (2) Center Frequency
- (3) G : GHz
- (4) Control No.
- (5) T : Taping
- Blank : Bulk

Target Specification

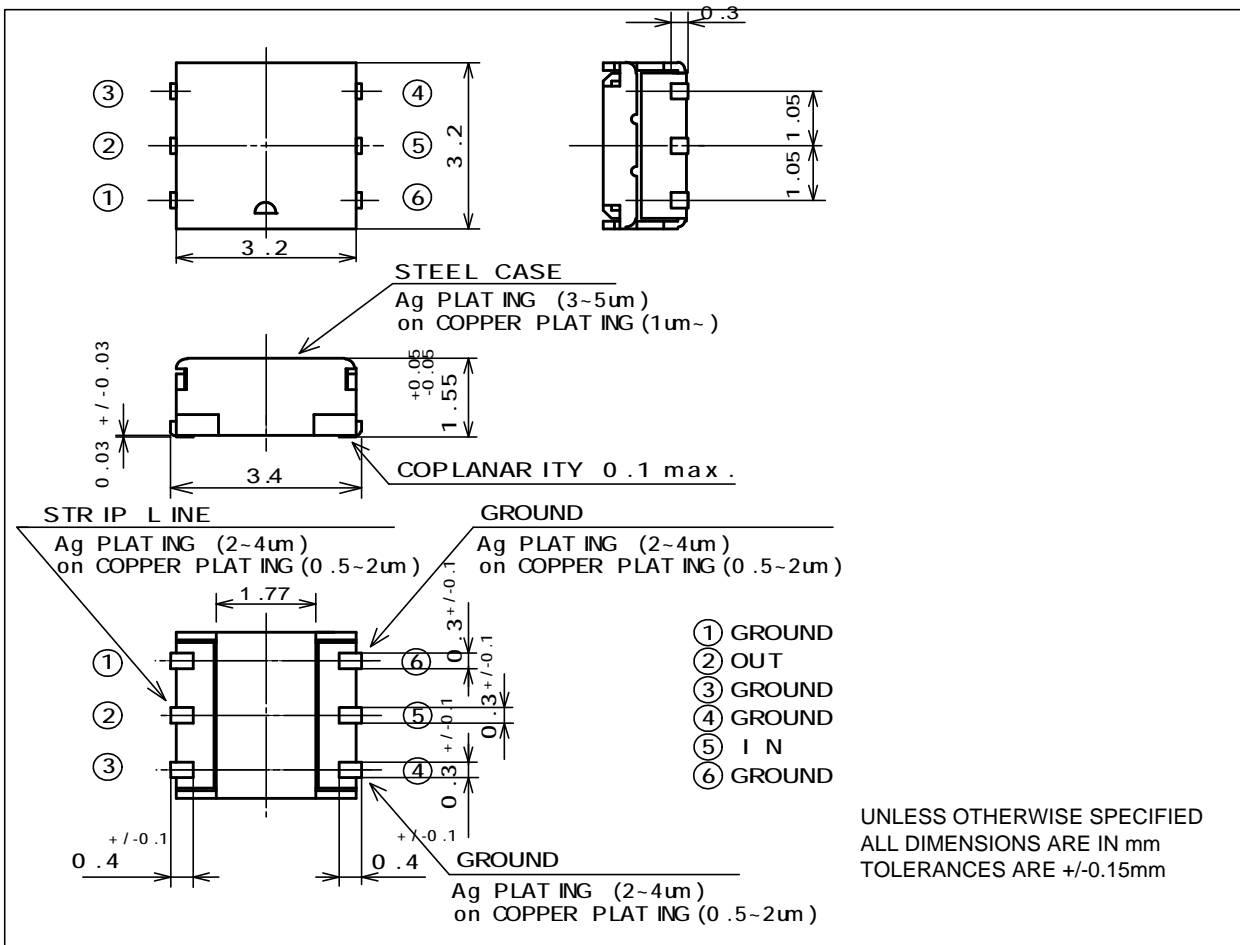
Frequency (GHz)	Ins. Loss Max. (dB)	Isolation Min. (dB)	V.S.W.R. (IN) Max.	V.S.W.R. (OUT) Max.	Attenuation		Handling Power Max. (W)	Reflection Power Max. (W)
					at 2f Min. (dB)	at 3f Min. (dB)		
2.010-2.025	[0.50] 0.60	13	1.50	1.50	12	20	2.5	0.6

Operating Temperature(deg.C) ; -25 to +85

[]---Room temperature(deg.C) ; +20 to +30

Impedance ; 50 ohms Typ.

Shape & Size



Note) This is tentative specifications under development.

There is some possibility which the specifications might be modified including mechanical dimension.

