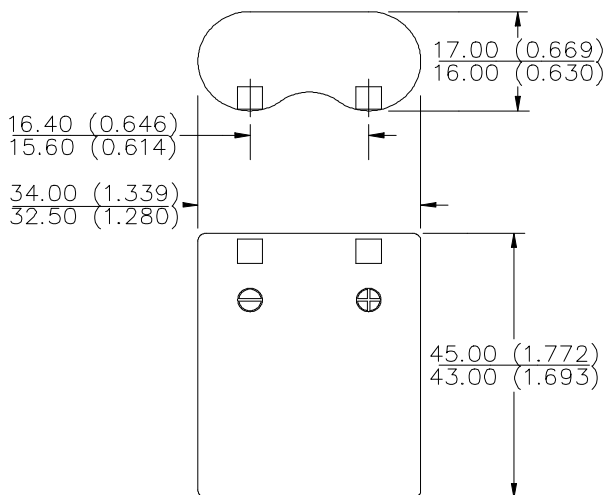


ENERGIZER NO. 2CR5 (EL2CR5)



Industry Standard Dimensions in mm (inches)



THIS BATTERY HAS UNDERWRITERS
 LABORATORIES COMPONENT RECOGNITION

This battery Contains a Positive Temperature
 Coefficient (PTC) Device to Limit Current Flow

Simulated Application Test
 Estimated Average Service at 21°C (70°F)

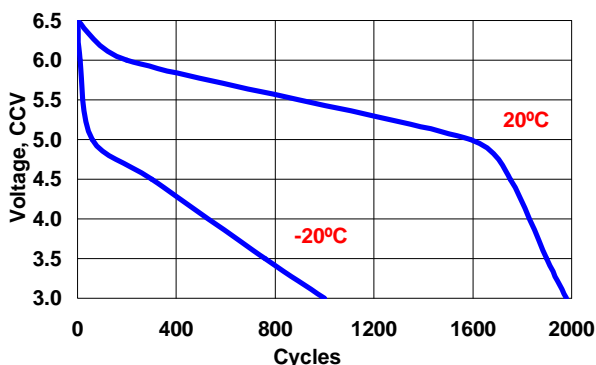
Schedule:	Typical Drains (mA)	Load (ohms)	Cutoff Voltage		
			3.5 V Hours	3.1 V Cycles	2.6 V Cycles
24 hours/ day	-	200	58	-	-
24 hours/ day	1000	-	0.91	-	-
3 sec ON / 7 sec OFF	1200	-	-	-	1440
3 sec ON / 27 sec OFF	900	-	-	1942	-

Chemical System: Lithium
 Lithium/Manganese Dioxide (Li/MnO₂)

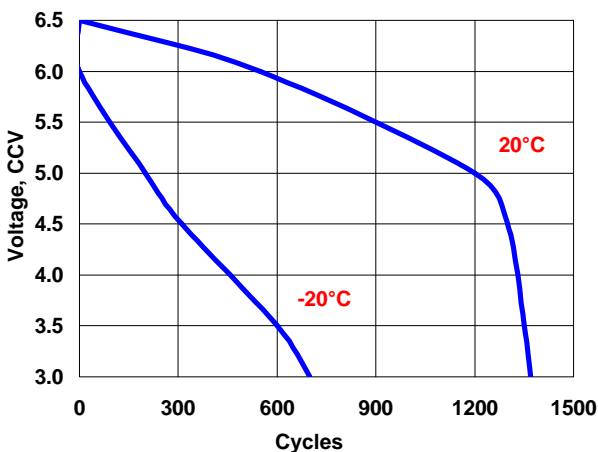
Designation: ANSI / NEDA-5032LC, IEC-2CR5
Battery Voltage: 6.0 Volts
Average Weight: 39.5 grams (1.39 oz.)
Volume: 26.0 cubic centimeters (1.6 cubic inch)
Average Capacity: 1500 mAh to 3.5 volts
 (Rated Capacity at 200 ohms at 21°C)

**Maximum Reverse
 Charge Current:** 2 microampere
Max Discharge: 1500 mA continuous - 3500 mA pulse
Cells: Two 2/3A-P

Typical Discharge Characteristics
 Schedule: 3 sec ON / 27 sec OFF
 Typical Drain: 900 milliamperes



Typical Discharge Characteristics
 Schedule: 3 sec ON / 7 sec OFF
 Typical Drain: 1200 milliamperes



Important Notice

This data sheet contains information specific to batteries manufactured at the time of its publication.

Contents herein do not constitute a warranty.

Copyright © Eveready Battery Co. Inc. - All Rights Reserved