

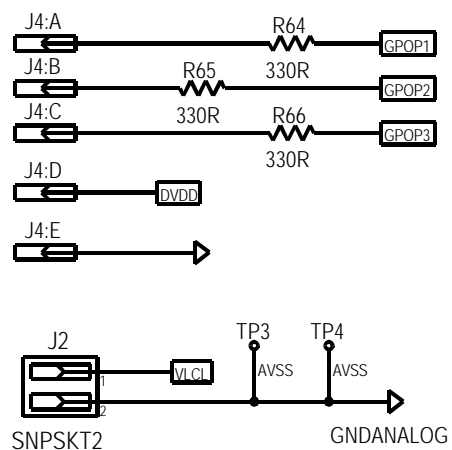
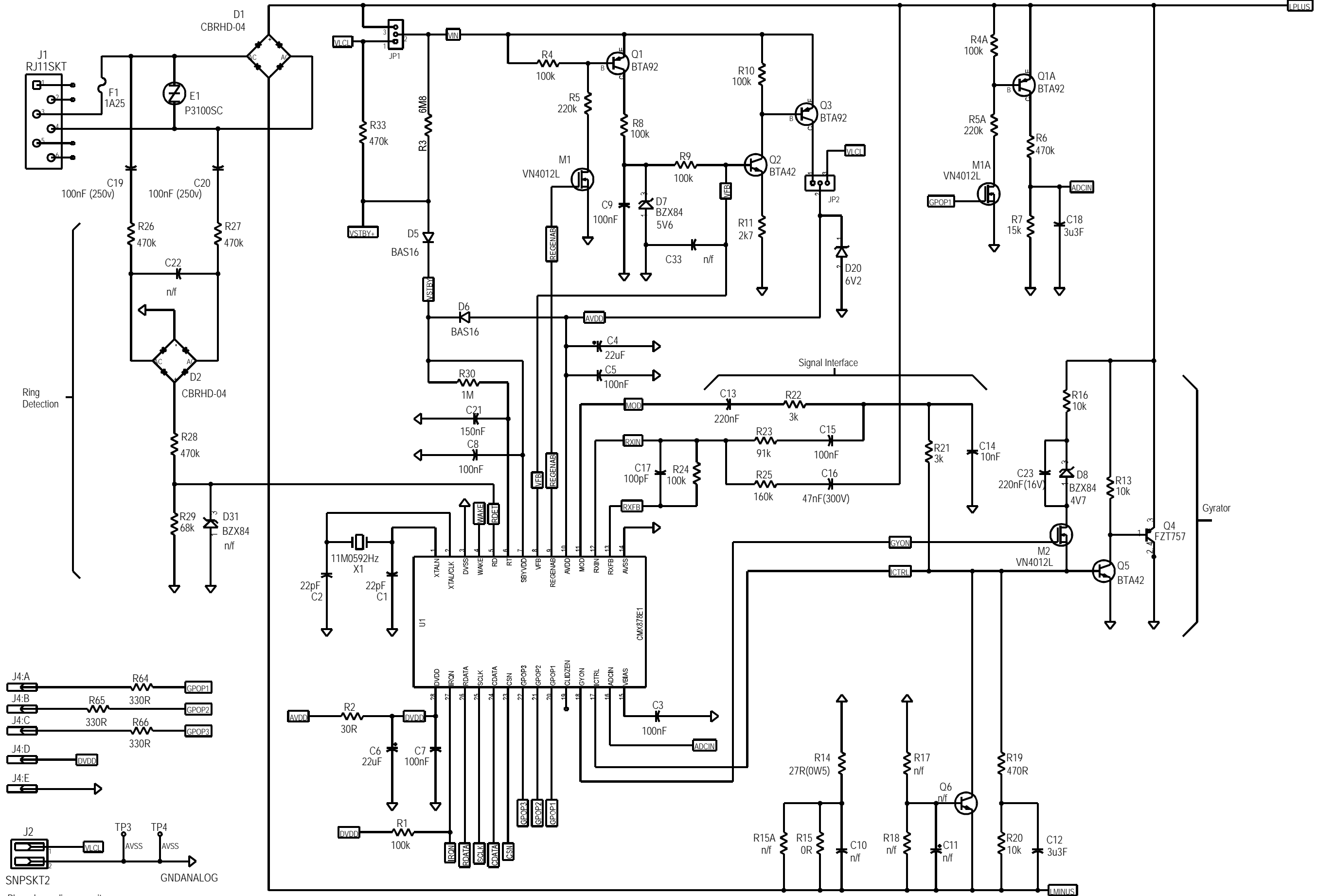


CML Microcircuits

COMMUNICATION SEMICONDUCTORS

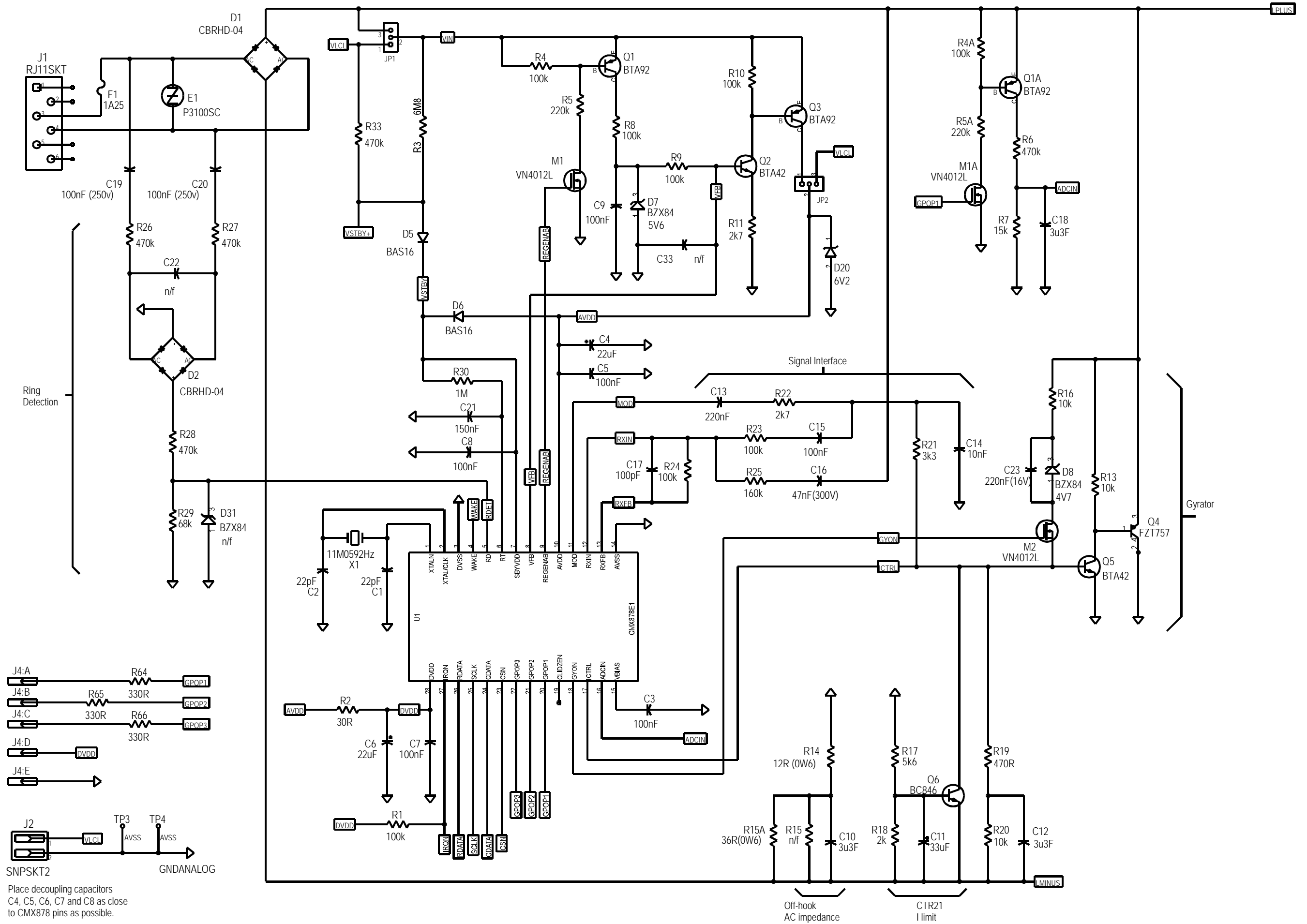
**High Resolution
Circuit Diagrams
for
DE8781 and DE8782**

Power Extraction



Place decoupling capacitors C4, C5, C6, C7 and C8 as close to CMX878 pins as possible.

Power Extraction



Place decoupling capacitors C4, C5, C6, C7 and C8 as close to CMX878 pins as possible.

