

Ceramic Singlelayer Feed-Through Capacitors 400V_{DC}

DESIGN:

Feed-through capacitor, threaded type

RATED VOLTAGE U_R:

400V_{DC} (175V_{RMS})

DIELECTRIC STRENGTH BETWEEN LEADS:

550 V_{DC} 1s

DISSIPATION FACTOR tan δ:

Ceramic Class 1: see General Information
Ceramic Class 2: $\leq 25 \cdot 10^{-3}$

INSULATION RESISTANCE Ri:

Ceramic Class 1: $\geq 1 \cdot 10^{10}\Omega$
Ceramic Class 2: $\geq 5 \cdot 10^9\Omega$

CATEGORY TEMPERATURE RANGE ϑ_A :

Ceramic Class 1: (- 55 to + 125)°C
Ceramic Class 2: (- 25 to + 85)°C

CLIMATIC TESTING CLASS ACC. TO EN 60068-1:

40 / 085 / 21

PERMISSIBLE REACTIVE POWER:

5.4VAr (Class 2), 90VAr (Class 1)

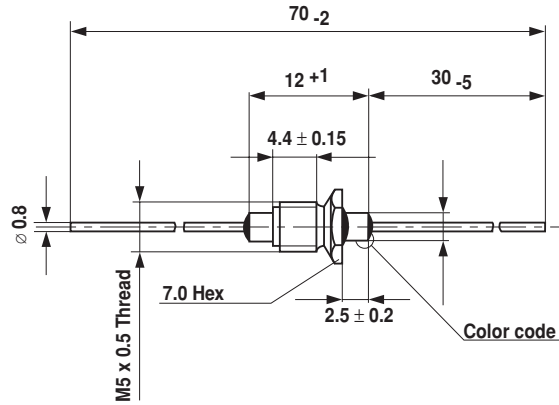
MARKING:

Capacitance value
Ceramic dielectric color code

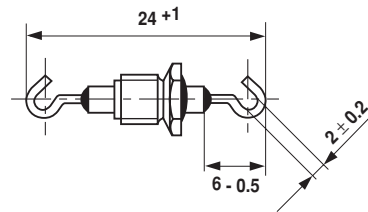
MAXIMUM PERMISSIBLE TORQUE:

0.6 Nm (clearance hole mounting)
0.4 Nm (threaded hole mounting)

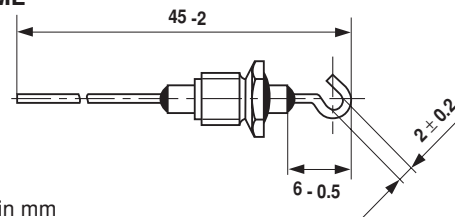
SERIES DDML



SERIES DZML



SERIES DUML



• Dimensions in mm

DIRECT CURRENT I_{DC}:

10A

MOUNTING HARDWARE:

A threaded nut (7.0 HEX) is supplied in bulk

CLASS	CERAMIC DIELECTRIC	CAPACITANCE VALUES (pF)	TOLERANCE
1B	P 100	5	± 1pF
		10	± 20%
	N 150	25	± 20%
		60	± 20%
2	N 750	120	± 20%
	R 700	600	- 20 + 50%
	R 2000	1200	- 20 + 50%
	R 3000	3200	- 20 + 30%, - 20 + 50%

• other capacitance values are available on request

ORDERING INFORMATION

DDML 0312	400V _{DC}	25pF	± 20%	N 150
-----------	--------------------	------	-------	-------