

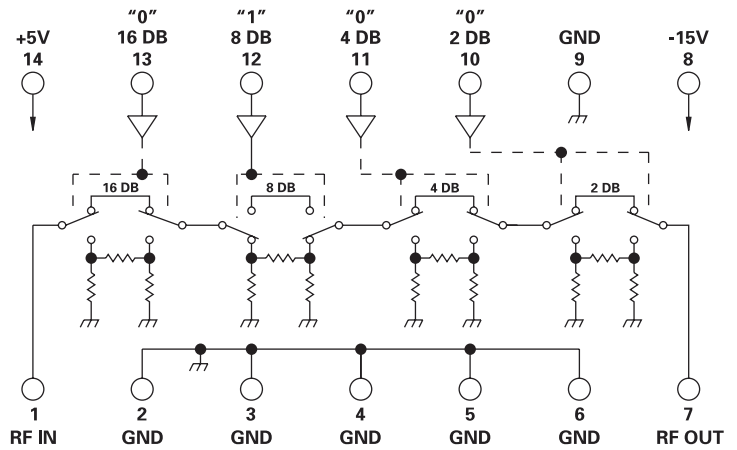
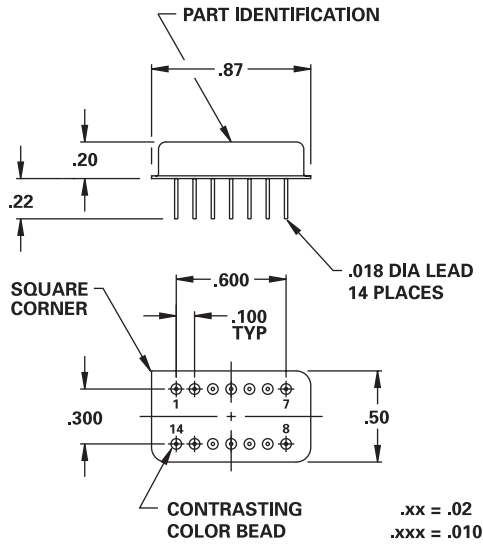
# MODEL NUMBER DAT41944

# GaAs 4 Section Attenuator

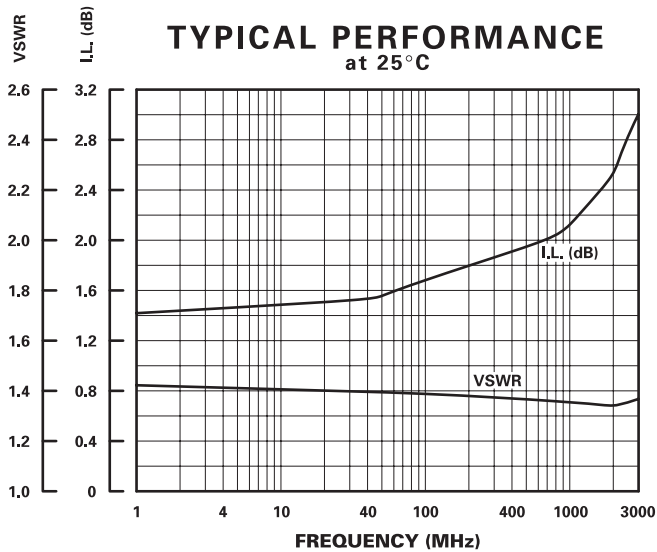
## FEATURES

- DC - 2000 MHz
- 2 dB LSB, 30 dB Range
- TTL Driver
- 14 Pin DIP
- High Intercept Point

## 4 BIT



## GUARANTEED PERFORMANCE



Parameter	Min	Typ	Max	Units	Conditions
Operating Frequency	DC		2000	MHz	
DC Current		28	35	mA	At +5 VDC Supply
		18	25	mA	At -15 VDC Supply
Control Type		TTL			4 Line Logic "0" = Thru Logic "1" = Attenuation
Control Current	High	1	±40	µA	V <sub>IH</sub> = +2.7 Volts
	Low	1	±40	µA	V <sub>IL</sub> = +0.5 Volts
Insertion Loss		2.5	3.0	dB	
Attenuation	LSB	2.0		dB	
	Range	0	30	dB	2, 4, 8, 16
	Accuracy			dB	± (0.25 dB +2% of Atten. Setting in dB)
VSWR		1.4/1	2/1		
Impedance		50		OHMS	
Switching Speed		33	100	nSec	50% TTL to 90% / 10% RF
Transition (Rise/Fall) Time		20	25	nSec	10% / 90% - 90% / 10% RF
Switching (Video) Transients		38	100	mV	Peak Value
Intercept Points	2nd	+50	+54	dBm	Above 20 MHz
	3rd	+30	+36	dBm	Above 20 MHz
RF Power	Operate	+16	+10	dBm	0.1 dB Compression (>100 MHz)
	No Damage		+20	dBm	
Operating Temperature	-55	+25	+85	°C	TA