



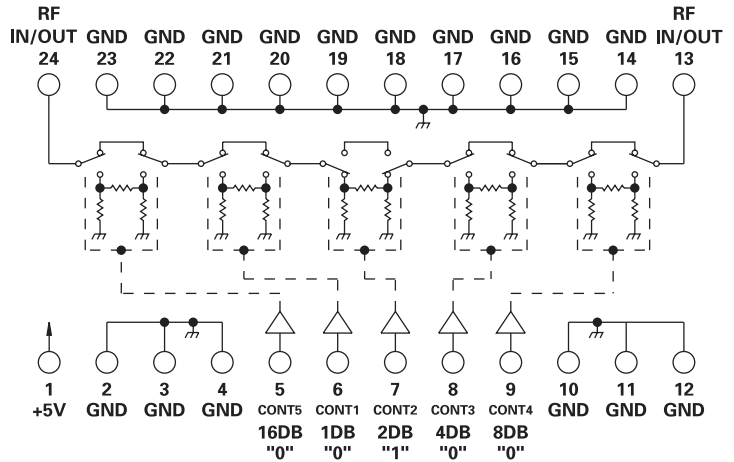
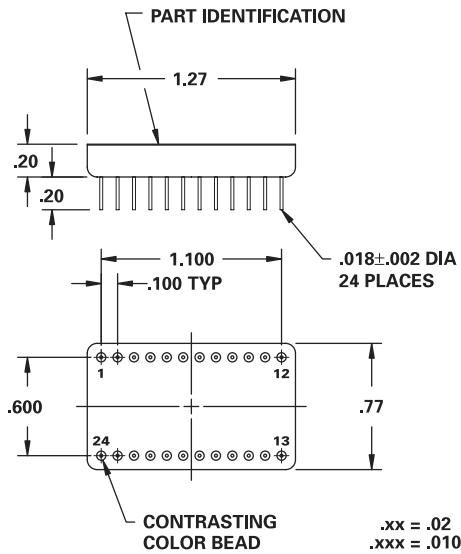
# MODEL NUMBER DA0660

# PIN Diode 5 Section Attenuator

## FEATURES

- 100-1000 MHz
- 12 mA, +5 VDC
- TTL Control
- 24 Pin DIP
- 1 dB LSB, 31 dB Range  
(for 2 db LSB, 62 dB Range,  
Order DA0661)

## 5 BIT



## GUARANTEED PERFORMANCE

Parameter	Min	Typ	Max	Units	Conditions
Operating Frequency	100		1000	MHz	
DC Current		12	20	mA	At +5 VDC Supply
Control Type		TTL			5 Line Logic "0" = Thru Logic "1" = Attenuation
Control Current	High Low	0 0	±10 ±10	µA µA	V <sub>IH</sub> = +2.7 V V <sub>IL</sub> = +0.5 V
Insertion Loss		4.5 5.0	5.5 6.0	dB dB	100 - 200 MHz 200 - 1000 MHz
Attenuation	LSB Range Accuracy	0	1 31	dB dB dB	1, 2, 4, 8, 16 ± (0.25 dB ± 3% of Atten. Setting in dB)
VSWR		1.3/1 1.15/1	1.55/1 1.25/1		100 - 200 MHz 200 - 1000 MHz
Impedance		50		OHMS	
Switching Speed		1.5	3.0	µSec	50% TTL to 90% / 10% RF
Transition (Rise/Fall) Time		250	500	nSec	90% / 10% or 10% / 90% RF
Switching (Video) Transients		250	500	mV	Peak Value
Intercept Points	2nd 3rd	+60 +33		dBm dBm	400 MHz / 210 MHz 200 MHz / 210 MHz
RF Power	Operate No Damage	+13	+10 +20	dBm dBm	0.1 dB Compression
Operating Temperature		-55	+25 +85	°C	TA

## TYPICAL PERFORMANCE at 25°C

