

Distributor: [Electro-Stock www.electrostock.com](http://www.electrostock.com) Tel: 630-682-1542 Fax: 630-682-1562

**FEATURES:**

- Switching capacity up to 20A
- Small size and light weight
- Ideal for high density mounting
- Suitable for automobile and consumer electronics applications



17.4 x 7.5 x 13.5mm

## CONTACT DATA

Contact Arrangement	1C = SPDT
Contact Rating	N.O. - 20A @ 14VDC N.C. - 10A @ 14VDC
Contact Resistance	< 50 milliohms initial
Contact Material	AgSnO <sub>2</sub>
Maximum Switching Power	300W
Maximum Switching Voltage	30VDC
Maximum Switching Current	20A

## COIL DATA

Coil Voltage VDC		Coil Resistance Ω ± 10%	Pick Up Voltage VDC (max)  75% of rated voltage	Release Voltage VDC (min)  10% of rated voltage	Coil Power W	Operate Time ms	Release Time ms
Rated	Max.						
12	15.6	180	9.00	1.20	.80	10	10

**CAUTION:**

1. The use of any coil voltage less than the rated coil voltage may compromise the operation of the relay.
2. Pickup and release voltages are for test purposes only and are not to be used as design criteria.

## GENERAL DATA

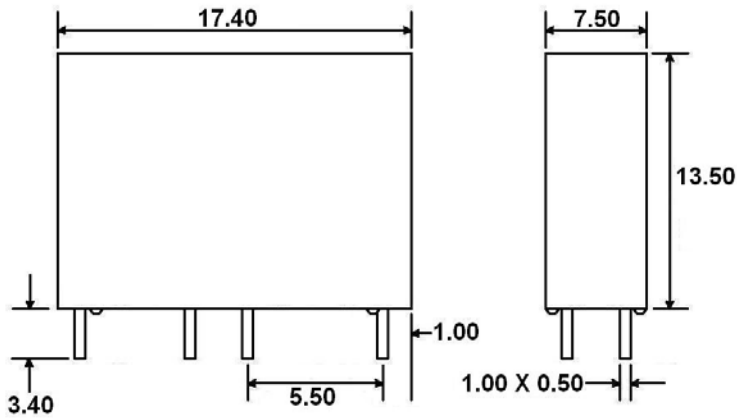
Electrical Life @ rated load	100K cycles, typical
Mechanical Life	10M cycles, typical
Insulation Resistance	100MΩ min @ 500VDC
Dielectric Strength, Coil to Contact	1000V rms min. @ sea level
Contact to Contact	500V rms min. @ sea level
Shock Resistance	100m/s <sup>2</sup> for 11ms
Vibration Resistance	1.50mm double amplitude 10-40Hz
Terminal (Copper Alloy) Strength	5N
Operating Temperature	-40 °C to + 85 °C
Storage Temperature	-40 °C to + 155 °C
Solderability	230 °C ± 2 °C for 10 ± 0.5s
Weight	4g

Distributor: *Electro-Stock* [www.electrostock.com](http://www.electrostock.com) Tel: 630-682-1542 Fax: 630-682-1562

## ORDERING INFORMATION

<b>1. Series:</b>	CTA6	1C	S	12VDC
CTA6				
<b>2. Contact Arrangement:</b>	1C = SPDT			
<b>3. Sealing Options:</b>	S = Sealed			
<b>4. Coil Voltage:</b>	12VDC			

## DIMENSIONS (Units = mm)



## SCHEMATICS & PC LAYOUTS (BOTTOM VIEWS)

