

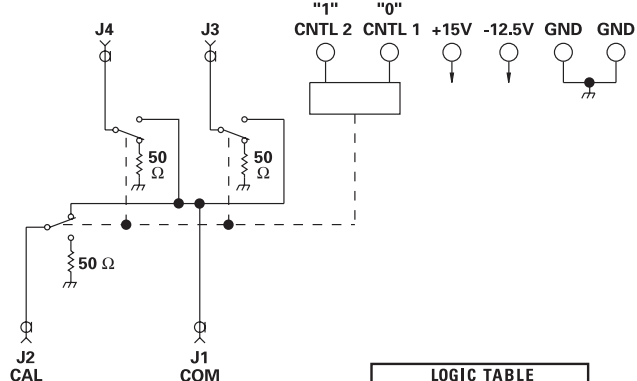
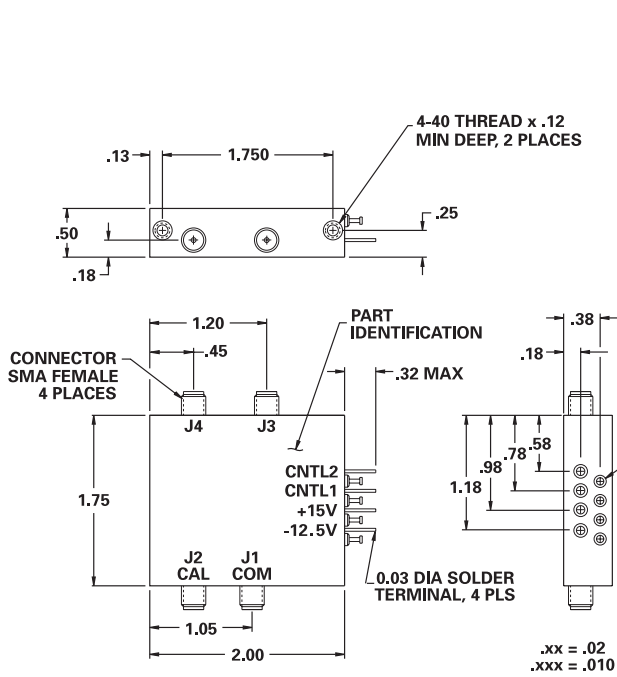
**MODEL NUMBER  
CSW36333**

**GaAs SP3T**

- FEATURES**
- 2-2500 MHz
  - 70 dB Isolation
  - $\pm 0.1$  dB Amplitude Tracking Port-to-Port

- $\pm 0.5$  Degrees Phase Tracking Port-to-Port
- All-Off-State

**SP3T**



LOGIC TABLE		
Input Ctrl		Function
Ctrl 1	Ctrl 2	
0	0	All Off
0	1	J1 - J2
1	0	J1 - J3
1	1	J1 - J4

**GUARANTEED PERFORMANCE**

Parameter	Min	Typ	Max	Units	Conditions
Operating Frequency	2		2500	MHz	
DC Current		11	30	mA	At +15 VDC Supply
		5	30	mA	At -12.5 VDC Supply
Control Type		TTL			2 Line, See Logic Chart
Control Current	High	$\pm 1.0$	20	$\mu$ A	V <sub>IH</sub> = +2.7V
	Low	$\pm 1.0$	-400	$\mu$ A	V <sub>IL</sub> = +0.5V
Isolation	50	70		dB	
Insertion Loss	1.40	1.7	2.15	3	2 - 1000 MHz
					1000 - 2500 MHz
Amplitude Balance	$\pm 0.1$	$\pm 0.3$		dB	Reference between the Calibration Port and any Input Port of the Switch
Phase Tracking: Port to Port (Max Differential)	$\pm 0.5$	2	10	DEG	2 - 1000 MHz
					1000 - 2500 MHz
VSWR	Thru	1.25/1	1.4/1		
	Termination	1.1/1	1.5/1		
Impedance		50		OHMS	
Switching Speed		3.7	10	$\mu$ SEC	50% TTL to 90% / 10% RF
Transition (Rise/Fall) Time		1.5	10	$\mu$ SEC	10% / 90% or 90% / 10% RF
Switching (Video) Transients	0.18	0.30	1.0	V	Com when Switched to All Off
Intercept Points	2nd	+73	+88	dBm	1.3 MHz / 2.3 MHz
	3rd	+38	+47	dBm	1.3 MHz / 1.6 MHz
RF Power	Operate	+28	+20	dBm	0.1 dB Compression
	No Damage	+30	+30	dBm	
Operating Temperature	-55	+25	+85	$^{\circ}$ C	TA

