

CALISTO™ TEST AND REFERENCE PLATFORM

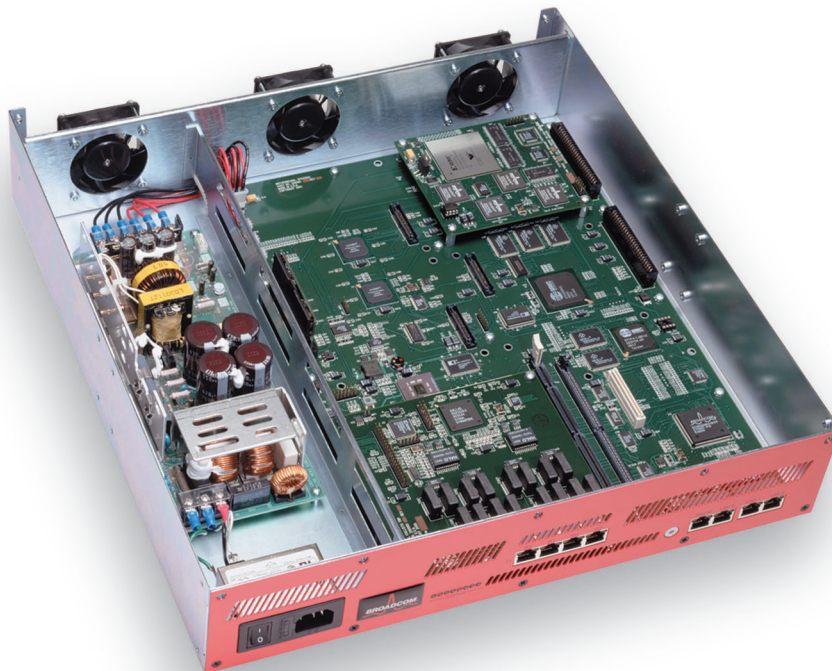
CALISTO TRP FEATURES

- Ingress options
 - Four T1 cards
 - Sonet OC-3 card
- Egress options
 - 100BASE-TX card
 - Sonet OC-3 card
- Control options
 - 100BASE-TX card dedicated for debug and control
- Signal processing cards
 - Four CALISTO™ cards, each with four BCM1500/1510 ICs and one SpiceBridge
- Motherboard
 - 5 Gb switching fabric
 - Motorola PowerPC microprocessor
- Dimensions
 - 16 5/8 inches x 17 inches x 3 1/4 inches

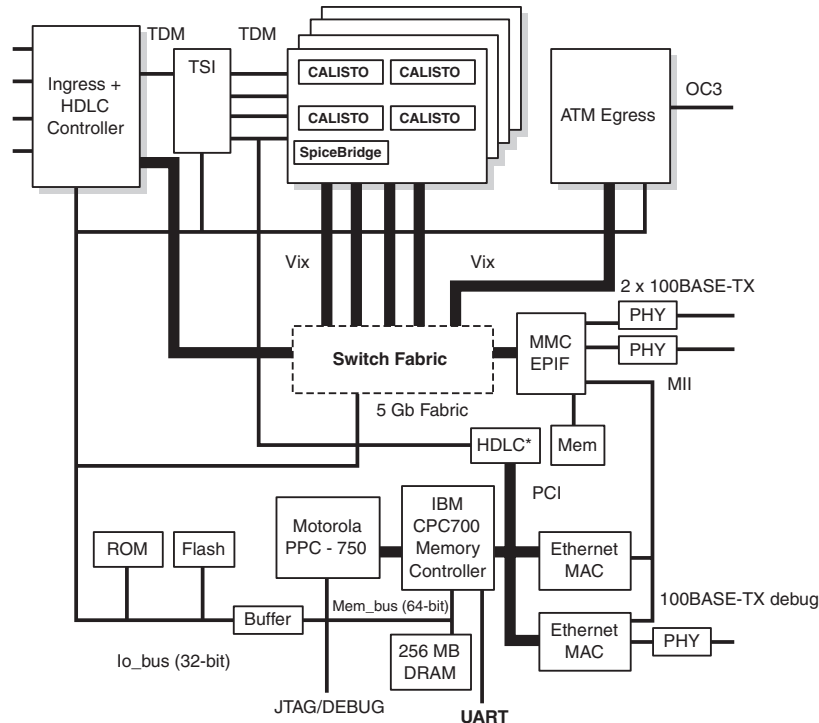
SUMMARY OF BENEFITS

- Allows end-to-end testing of all of Broadcom's Voice over Packet technology running under full load:
 - BCM1500/1510 ICs
 - SpiceBridge
 - HausWare Framework Operating System
 - Gateway xChange™ service stacks
 - CALISTO Host API
- Reduces your time to market by providing a working BCM1500/1510-based platform for interoperability testing.
- Further reduces time to market by enabling you to start writing host software before your hardware is actually complete.
- Includes remote debug capability that boosts your development efforts.
- Provides a complete software development platform using SpiceIDE.

CALISTO TRP



CALISTO TRP OVERVIEW



The CALISTO Test and Reference Platform (TRP) is a versatile platform that allows you to interact with the full spectrum of Broadcom's Voice over Packet products in advance of the completion of their own hardware.

The CALISTO TRP provides a complete packet-to-circuit solution for up to an OC-3's worth of (2,016) VoP channels. It includes a 366-MHz microprocessor for signaling support, 128 MB of 100-MHz DRAM, 8 MB FLASH, 5-Gbps packet switching fabric, two RS232 ports, eight programmable status LEDs, one six-position mode switch, two 100BASE-FX Ethernet ports for RTP over UDP/IP, four CALISTO daughter cards containing four CALISTOs each, and an OC-3 ATM daughter card that supports AAL5 for packet traffic, and both AAL1 and AAL2 for voice traffic—all in a 3 1/4-inch high by 16 5/8-inch wide box.

The CALISTO TRP includes Broadcom's leading Gateway xChange packet telephony software. xChange supports the full range of voice compression modules including G.711, G.723, G.726, G.727, G.728, G.729ABE, GSM-AMR, and GSM-EFR, as well as tone detection, ECAN, VAD/CNG, fax and data modem relay, and Universal Port.

You can download software images of Broadcom's Gateway xChange reference stacks and run them at full density on the CALISTO TRP. The TRP's interfaces are ideal for end-to-end testing using automated test equipment.

Furthermore, customers can insert impairments (for example, varying jitter, packet loss, and so on) on the packet side and observe their effect on the platform's performance.

Your time to market is reduced because you can start writing your own host software on the CALISTO TRP. Using CALISTO Host API, you can port their code onto any platform with minimal effort. Writing their own unique services you can create special service stacks, load them onto the TRP, and test them quickly under full load.

The platform includes a rich development environment that has built-in remote debug capabilities that further boost customers' development efforts. In addition to the preceding features and benefits, all of the box schematics and drivers are available, and can be used to further shorten your design cycle.

Broadcom®, the pulse logo and Connecting everything® are trademarks of Broadcom Corporation and/or its subsidiaries in the United States and certain other countries. All other trademarks are the property of their respective owners.

Connecting
everything®



BROADCOM CORPORATION
16215 Alton Parkway, P.O. Box 57013
Irvine, California 92619-7013

© 2003 by BROADCOM CORPORATION. All rights reserved.
1500/1510TRP-PB02-R-4.15.03

Phone: 949-450-8700
FAX: 949-450-8710
Email: info@broadcom.com
Web: www.broadcom.com