

Features:

- Stable frequency over temperature and drive level
- Low Profile Seam Weld Package
- Optional machine readable crystal temperature characteristics

Description and Applications:

Surface mount 3.5x6mm reference crystal for use in GSM handsets, 2-way radios, pagers, and other portable electronics requiring a stable frequency source.



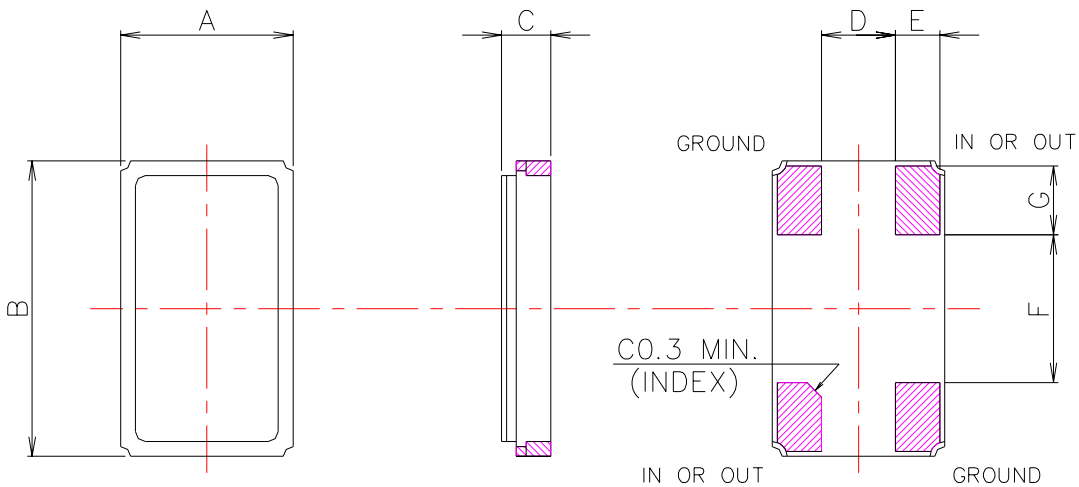
Electrical Specifications:

ATXN6077A	Specification
Nominal Frequency	13.0 Mhz
Mode of Vibration	Fundamental
Storage Temperature Range	-40 C to 85 C
Frequency Stability over Temperature	± 11 PPM (-30 C to 85C)
Frequency perturbation (Worst case frequency deviation between actual measurement and 4 th order least square polynomial curve fit estimate)	+/- 1.0 PPM
Frequency Make Tolerance	± 10 PPM @25 C +/- 3°C
Resonance Resistance	35Ω Max.
Drive Level	100 μ W Max.
Load Capacitance - CL	10 pF
Motional Capacitance - Cm	6.0 fF
Shunt Capacitance - Co	1.3 pF Max.
Insulation Resistance	500 MΩ Min./DC 100V
Aging	+/-1PPM/Yr @25C
Marking	Laser marking, print or machine readable

Post Environmental Performance:

<p>Mechanical Shock: @ a half sine pulse shock of 0.3 milliseconds duration and a peak level of 8700 g's</p>	<p>$\Delta F_s < +/- 2.5 \text{ PPM}$ $\Delta R_s < +/- 3 \Omega \text{ or } 10\%$</p>
<p>Vibration: Per 2 x EIA RS-152-B</p>	<p>$\Delta F_s < +/- 2.5 \text{ PPM}$ $\Delta R_s < +/- 3 \Omega \text{ or } 10\%$</p>

Mechanical Dimensions (mm):



ITEM UNIT	A	B	C	D	E	F	G
M/M	3.50 ±0.13	6.00 ±0.13	1.00 ±0.16	1.50 ±0.13	0.9 REF.	3.00 ±0.13	1.4 REF.