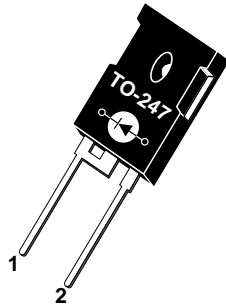


1 - Cathode
2 - Anode
Back of Case - Cathode



**ADVANCED
POWER
TECHNOLOGY®**
APT30DS30B 300V 30A

HIGH FREQUENCY SOFT RECOVERY RECTIFIER DIODE

| PRODUCT APPLICATIONS | PRODUCT FEATURES | PRODUCT BENEFITS |
|--|---|---|
| <ul style="list-style-type: none"> • Anti-Parallel Diode <ul style="list-style-type: none"> -Switchmode Power Supply -Inverters • Free Wheeling Diode <ul style="list-style-type: none"> -Motor Controllers -Converters • Snubber Diode • Uninterruptible Power Supply (UPS) • Induction Heating • High Speed Rectifiers | <ul style="list-style-type: none"> • Ultrafast Recovery Times • Soft Recovery Characteristics • Popular TO-247 Package • $t_{rr} < 25\text{ns}$ @ 30 Amps • High Blocking Voltage • Low Leakage Current | <ul style="list-style-type: none"> • Low Losses • Low Noise Switching • Cooler Operation • Higher Reliability Systems • Increased System Power Density |

MAXIMUM RATINGS

All Ratings: $T_C = 25^\circ\text{C}$ unless otherwise specified.

| Symbol | Characteristic / Test Conditions | APT30DS30B | UNIT |
|----------------|---|------------|------------------|
| V_R | Maximum D.C. Reverse Voltage | 300 | Volts |
| V_{RRM} | Maximum Peak Repetitive Reverse Voltage | | |
| V_{RWM} | Maximum Working Peak Reverse Voltage | | |
| $I_F(AV)$ | Maximum Average Forward Current ($T_C = 100^\circ\text{C}$, Duty Cycle = 0.5) | 30 | Amps |
| $I_F(RMS)$ | RMS Forward Current | 70 | |
| I_{FSM} | Non-Repetitive Forward Surge Current ($T_J = 45^\circ\text{C}$, 8.3ms) | 320 | |
| T_J, T_{STG} | Operating and Storage Temperature Range | -55 to 150 | $^\circ\text{C}$ |
| T_L | Lead Temperature: 0.063" from Case for 10 Sec. | 300 | |

STATIC ELECTRICAL CHARACTERISTICS

| Symbol | Characteristic / Test Conditions | MIN | TYP | MAX | UNIT |
|----------|--|--|-----|------|---------------|
| V_F | Maximum Forward Voltage | $I_F = 30\text{A}$ | | 2.0 | Volts |
| | | $I_F = 60\text{A}$ | | 2.0 | |
| | | $I_F = 30\text{A}, T_J = 150^\circ\text{C}$ | | 1.75 | |
| I_{RM} | Maximum Reverse Leakage Current | $V_R = V_R$ Rated | | 250 | μA |
| | | $V_R = V_R$ Rated, $T_J = 125^\circ\text{C}$ | | 500 | |
| C_T | Junction Capacitance, $V_R = 150\text{V}$ | | 70 | | pF |
| L_S | Series Inductance (Lead to Lead 5mm from Base) | | 10 | | nH |

APT Website - <http://www.advancedpower.com>

USA 405 S.W. Columbia Street Bend, Oregon 97702-1035 Phone: (541) 382-8028 FAX: (541) 388-0364
EUROPE Chemin de Magret F-33700 Merignac - France Phone: (33) 5 57 92 15 15 FAX: (33) 5 56 47 97 61

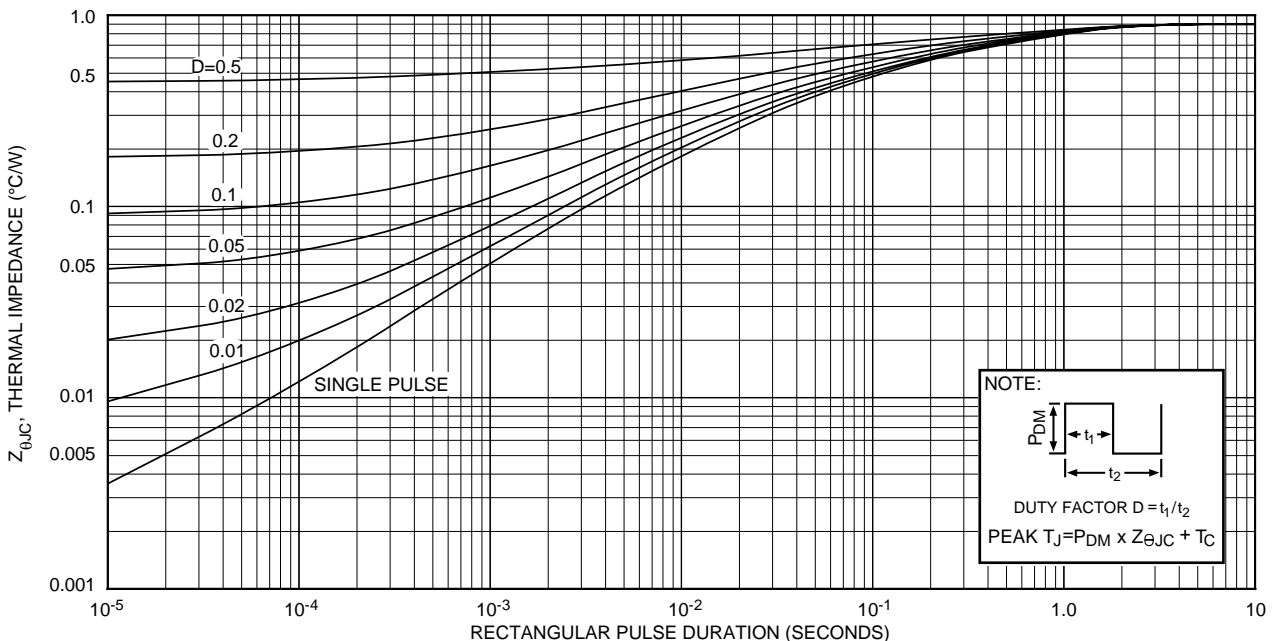
DYNAMIC CHARACTERISTICS

APT30DS30B

| Symbol | Characteristic | MIN | TYP | MAX | UNIT |
|------------|---|-----|------|------|------------|
| t_{rr1} | Reverse Recovery Time, $I_F = 1.0A$, $di_F/dt = -15A/\mu s$, $V_R = 30V$, $T_J = 25^\circ C$ | | 35 | 45 | ns |
| t_{rr2} | Reverse Recovery Time | | 20 | | |
| t_{rr3} | $I_F = 30A$, $di_F/dt = -500A/\mu s$, $V_R = 180V$ | | 35 | | |
| t_{fr1} | Forward Recovery Time | | 45 | | |
| t_{fr2} | $I_F = 30A$, $di_F/dt = 500A/\mu s$, $V_R = 180V$ | | 50 | | |
| I_{RRM1} | Reverse Recovery Current | | 6.5 | 13.5 | Amps |
| I_{RRM2} | $I_F = 30A$, $di_F/dt = -500A/\mu s$, $V_R = 180V$ | | 9.2 | 20 | |
| Q_{rr1} | Recovery Charge | | 75 | | nC |
| Q_{rr2} | $I_F = 30A$, $di_F/dt = -500A/\mu s$, $V_R = 180V$ | | 160 | | |
| V_{fr1} | Forward Recovery Voltage | | 20 | | Volts |
| V_{fr2} | $I_F = 30A$, $di_F/dt = 500A/\mu s$, $V_R = 180V$ | | 21 | | |
| diM/dt | Rate of Fall of Recovery Current | | 900 | | A/ μs |
| | $I_F = 30A$, $di_F/dt = -500A/\mu s$, $V_R = 180V$ | | 2000 | | |

THERMAL AND MECHANICAL CHARACTERISTICS

| Symbol | Characteristic / Test Conditions | MIN | TYP | MAX | UNIT |
|-----------------|--|-----|------|-----|--------------|
| $R_{\theta JC}$ | Junction-to-Case Thermal Resistance | | | 0.9 | $^\circ C/W$ |
| $R_{\theta JA}$ | Junction-to-Ambient Thermal Resistance | | | 40 | |
| W_T | Package Weight | | 0.22 | | oz |
| | | | 6.1 | | gm |
| Torque | Maximum Mounting Torque (Screw Type = 6-32 or 3.5mm Machine) | | | 10 | lb•in |
| | | | | 1.1 | N•m |



APT30DS30B

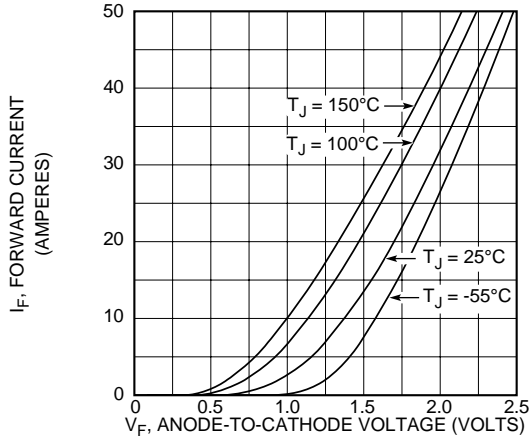


Figure 2, Forward Voltage Drop vs Forward Current

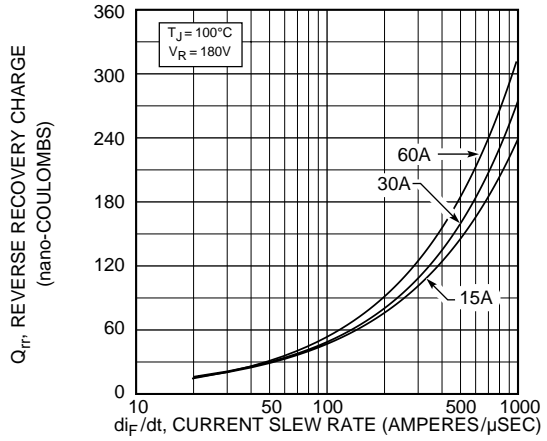


Figure 3, Reverse Recovery Charge vs Current Slew Rate

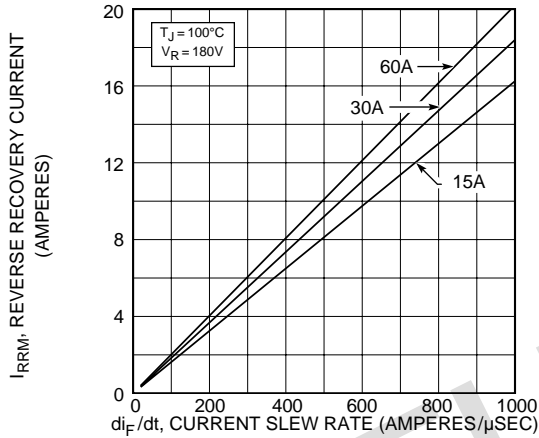


Figure 4, Reverse Recovery Current vs Current Slew Rate

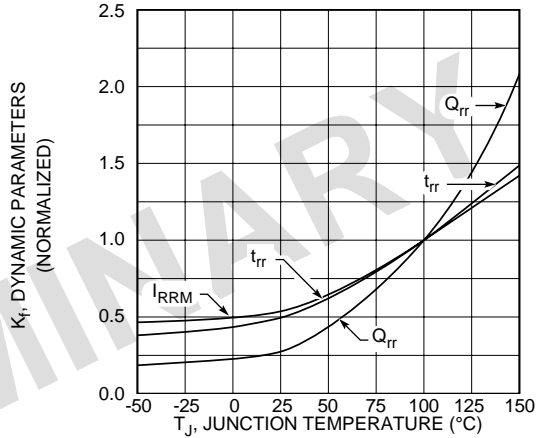


Figure 5, Dynamic Parameters vs Junction Temperature

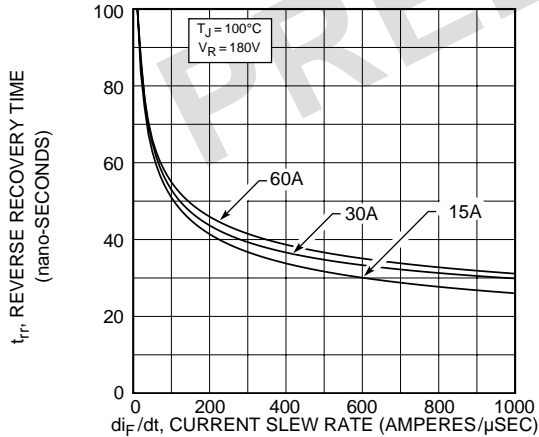


Figure 6, Reverse Recovery Time vs Current Slew Rate

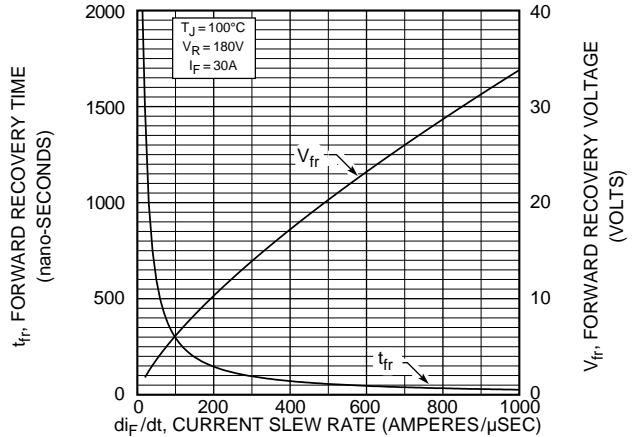


Figure 7, Forward Recovery Voltage/Time vs Current Slew Rate

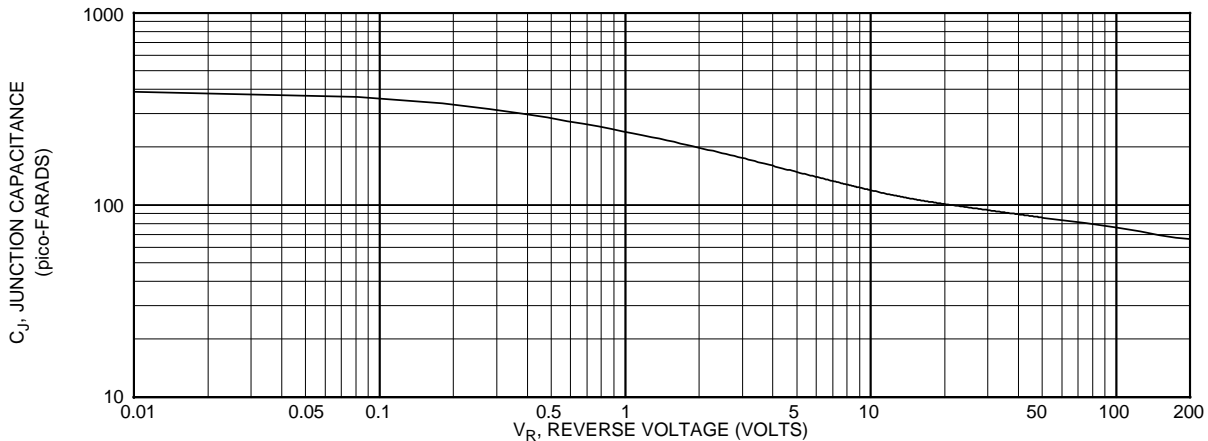


Figure 8, Junction Capacitance vs Reverse Voltage

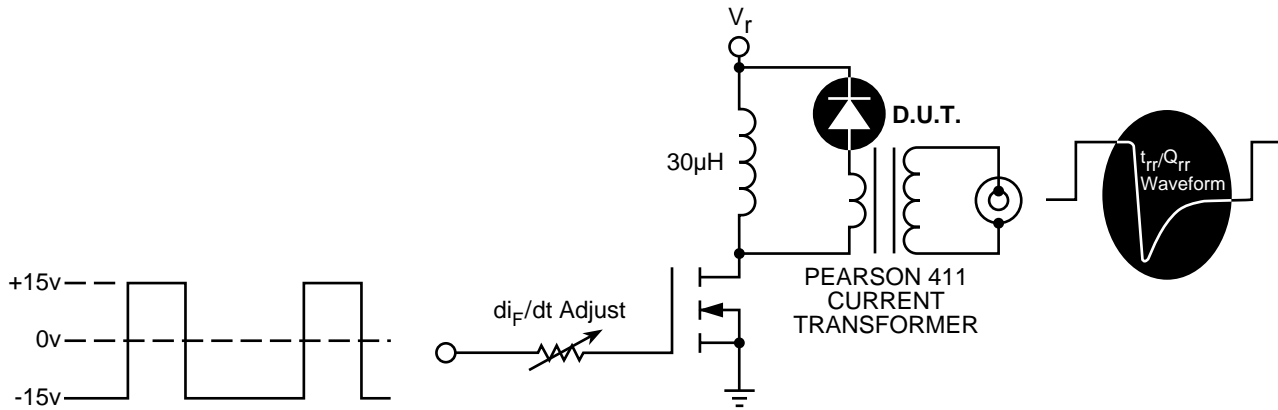


Figure 9, Diode Reverse Recovery Test Circuit and Waveforms

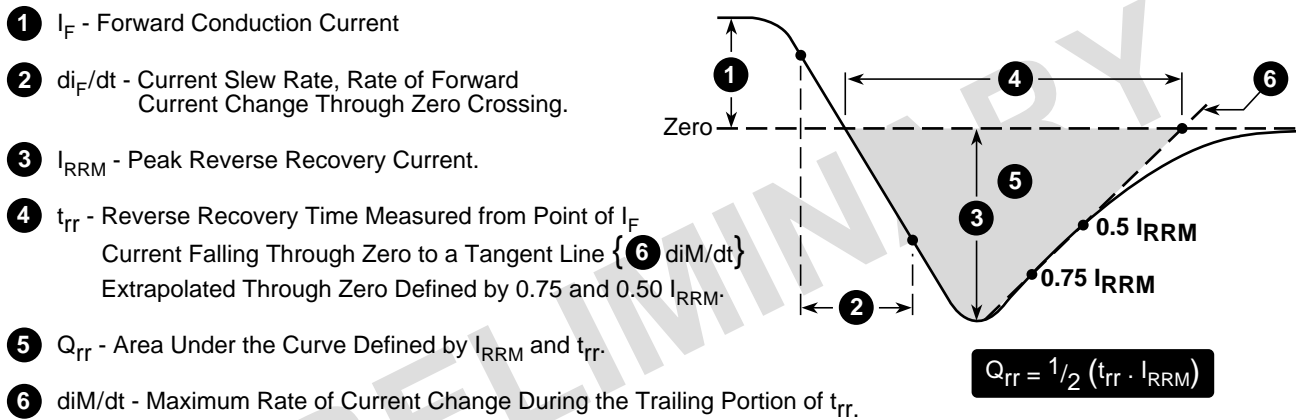
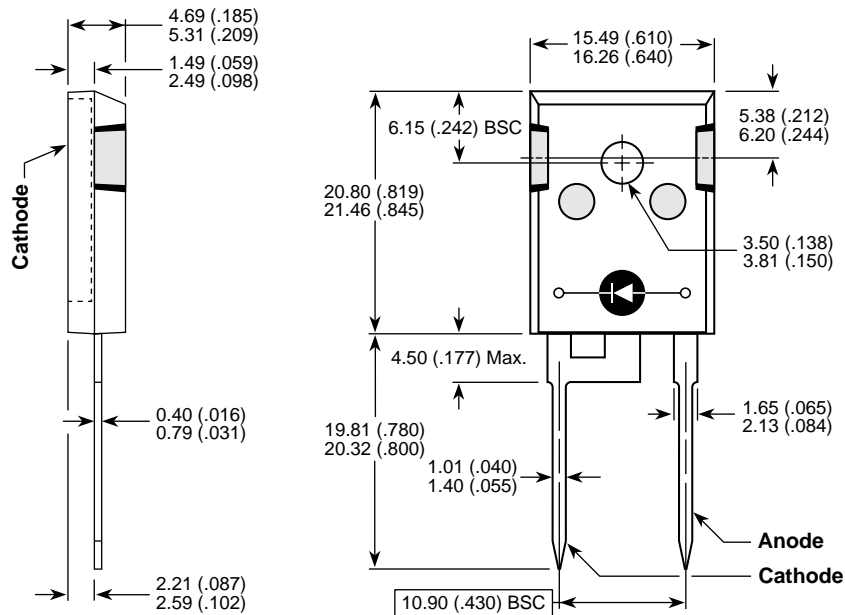


Figure 10, Diode Reverse Recovery Waveform and Definitions

TO-247 Package Outline



Dimensions in Millimeters and (Inches)

APT Reserves the right to change, without notice, the specifications and information contained herein.

APT's devices are covered by one or more of the following U.S. patents: 4,895,810 5,045,903 5,089,434 5,182,234 5,019,522 5,262,336
5,256,583 4,748,103 5,283,202 5,231,474 5,434,095 5,528,058