



AKD5366

Evaluation board Rev.A for AK5366

GENERAL DESCRIPTION

AKD5366 is an evaluation board for the digital audio 24bit 48kHz A/D converter, AK5366. The AKD5366 includes the input circuit and also has a digital interface transmitter. Further, the AKD5366 can achieve the interface with digital audio systems via opt-connector.

■ **Ordering guide**

AKD5366 --- Evaluation board for AK5366
 (Cable for connecting with printer port of IBM-AT,
 compatible PC and control software are packed with this.)

FUNCTION

- **DIT with optical output**
- **BNC connector for an external clock input**
- **10pin Header for serial control mode**

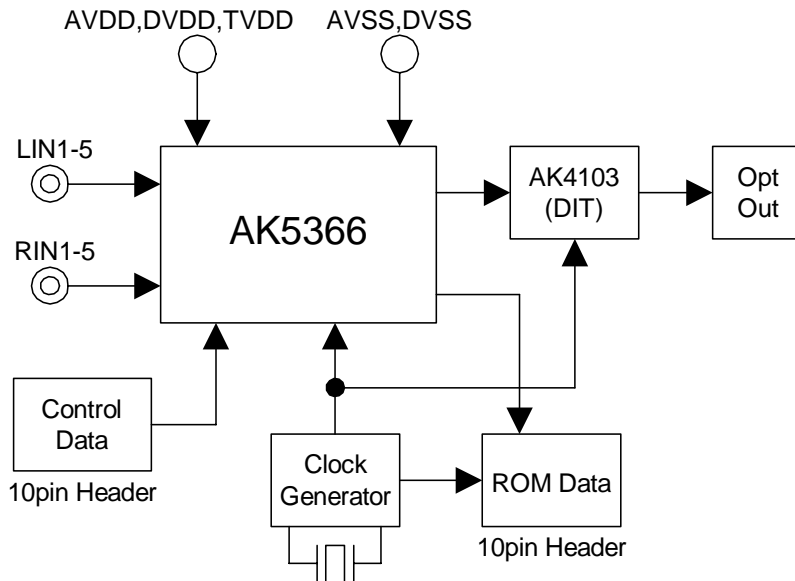


Figure 1. AKD5366 Block Diagram

* Circuit diagram and PCB layout are attached at the end of this manual.

1. Evaluation Board Manual

■ Operation sequence

1) Set up the power supply lines.

[AVDD]	(red)	= 4.75 ~ 5.25V	: for AVDD of AK5366 (typ. 5.0V)
[TVDD]	(orange)	= 3.0 ~ 5.25V	: for DVDD of AK5366 (typ. 3.3V)
[D3V]	(orange)	= 3.0 ~ 5.25V	: for 74LVC541 (typ. 3.3V)
[VCC]	(red)	= 5V	: for logic
[AGND]	(black)	= 0V	: for analog ground
[DGND]	(black)	= 0V	: for logic ground

Each supply line should be distributed from the power supply unit.
D3V and TVDD must be same voltage level.

2) Set up the evaluation mode, jumper pins and DIP switches. (See the followings.)

3) Power on.

The AK5366 and AK4103 should be reset once bringing SW2 = "L" upon power-up.

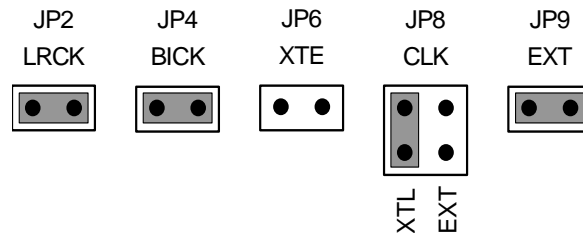
■ Evaluation mode

(1) Slave Mode

When evaluating the AK5366 using the AK4103, the setting of the AK5366's audio interface format should be the same as the AK4103's format. The DIF setting of the AK5366 (No.1 of SW1 (I2C) in parallel mode, DIF bit in serial mode) should be the same as the DIF setting of the AK4103 (No.1 of SW3). About the AK5366's audio interface format, refer to AK5366's datasheet. About the AK4103's audio interface format, see Table3.

(1-1) A/D evaluation using DIT function of AK4103

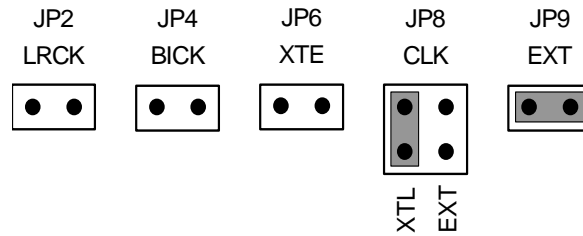
PORT1 (DIT) is used. DIT generates audio bi-phase signal from received data and which is output through optical connector (TOTX176). It is possible to connect AKM's D/A converter evaluation boards on the digital-amplifier which equips DIR input. Nothing should be connected to PORT2 (ROM). In case of using external clock through a BNC connector (J13), select EXT on JP8 (CLK) and short JP6 (XTE) and open JP9 (EXT).



(2) Master Mode

(2-1) A/D evaluation using DIT function of AK4103

PORT1 (DIT) is used. DIT generates audio bi-phase signal from received data and which is output through optical connector (TOTX176). It is possible to connect AKM's D/A converter evaluation boards on the digital-amplifier which equips DIR input. Nothing should be connected to PORT2 (ROM). In case of using external clock through a BNC connector (J13), select EXT on JP8 (CLK) and short JP6 (XTE) and open JP9 (EXT).



■ Other jumper pins set up

1. JP1 (GND) : Analog ground and Digital ground
 OPEN : Separated.
 SHORT: Common. (The connector "DGND" can be open.) <Default>
2. JP3 (M/S) : Select Master/Slave mode for AK5366
 SLAVE : Slave mode <Default>
 MASTER : Master mode
3. JP5 (TVDD) : Select DVDD for AK5366
 REG : Supply from regulator
 TVDD : Supply from TVDD connector <Default>
4. JP7 (MCLK) : MCLK Frequency for 74HC4040
 256 : MCLK is 256fs. (=12.288MHz@fs=48kHz) <Default>
 512 : MCLK is 512fs. (=24.576MHz@fs=48kHz)

■ DIP Switch set up

[SW1] (MODE1): Setting the evaluation mode for AK5366
ON is “H”, OFF is “L”. Default is all “L”.

No.	Name	OFF (“L”)	ON (“H”)
1	I2C	3-wire Control	I2C Control
2	CAD0	Fixed to “L”	
3	CAD1	Fixed to “L”	
4	DIF	Fixed to “L”	
5	SEL2	See Table 2	
6	SEL1		
7	SEL0		
8	ALC	Fixed to “L”	

Table 1. Mode Setting of AK5366

SEL2	SEL1	SEL0	Input Selector	Default
OFF	OFF	OFF	LIN1 / RIN1	
OFF	OFF	ON	LIN2 / RIN2	
OFF	ON	OFF	LIN3 / RIN3	
OFF	ON	ON	LIN4 / RIN4	
ON	OFF	OFF	LIN5 / RIN5	

Table 2. Input Selector

[SW3] (MODE2): Setting the evaluation mode for AK4103
ON is “H”, OFF is “L”. Default is all “L”.

No.	Name	OFF (“L”)	ON (“H”)
1	DIF	24bit, MSB justified	24bit, I ² S Compatible
2	CKS1	See Table 4	
3	CKS0		

Table 3. Mode Setting of AK4103

Mode	CKS1	CKS0	MCLK	fs	Default
0	OFF	OFF	256fs	~ 96kHz	
1	OFF	ON	N/A	N/A	
2	ON	OFF	512fs	~ 48kHz	
3	ON	ON	384fs	~ 48kHz	

Table 4. MCLK Frequency Setting of AK4103

■ The function of the toggle SW

Upper-side is “H” and lower-side is “L”.

[SW2] (PDN): Resets the AK5366 and AK4103. Keep “H” during normal operation.

[SW4] (SMUTE): Soft mute of AK5366.

■ Serial Control

The AK5366 can be controlled via the printer port (parallel port) of IBM-AT compatible PC. Connect PORT3 (CTRL) with PC by 10-line flat cable packed with the AKD5366. The control software packed with this evaluation board does not support I²C control.

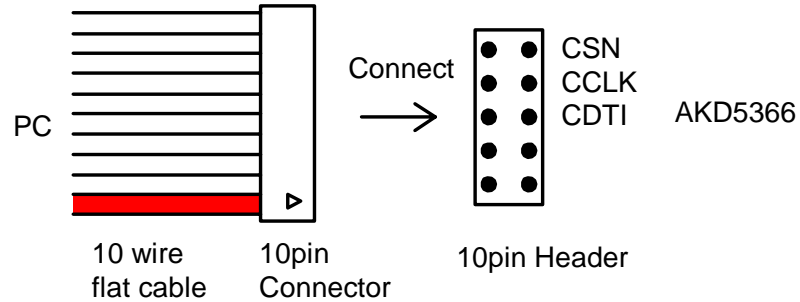


Figure 2. Connect of 10-line flat cable

■ Input/Output Circuits

(1) Input Circuit

Analog signal is input to LIN1-5/RIN1-5 pins via J1 ~ J12 connectors.

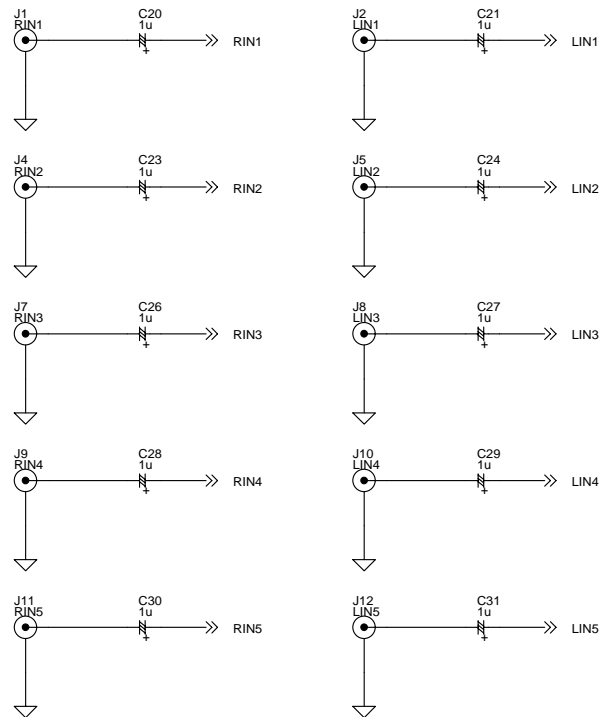


Figure 3. LIN1-5/RIN1-5 Input circuits

The cut-off frequency of the input circuit on this evaluation board is as below. When changing the cut-off frequency, change the constant of the each resistor and capacitor.

- (1) The cut-off frequency of HPF in front of the Pre-Amp : $f_c = 3.4\text{Hz}$ ($R = 47\text{k}\Omega$, $C = 1\mu\text{F}$)
- (2) The cut-off frequency of HPF, which is composed by the input resistance of the IPGAL/R pins and the capacitor of between the Pre-Amp output and the IPGA input : $f_c = 3.4\text{Hz}$. ($R = 10\text{k}\Omega$, $C = 4.7\mu\text{F}$)

(2) Output Circuit

Signal of LOUT and ROUT pins are output via J3 (LOUT) and J6 (ROUT).

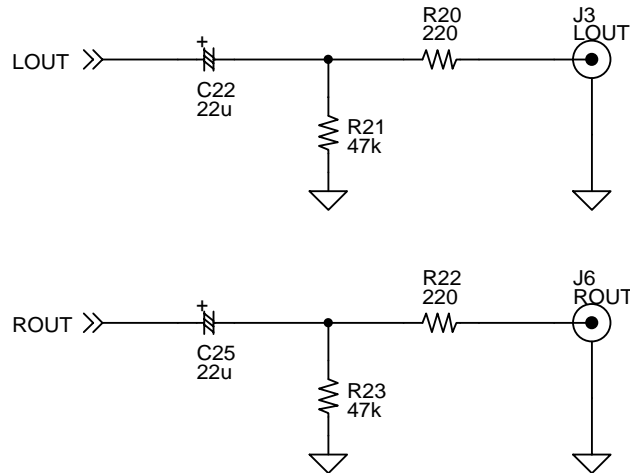


Figure 4. LOUT/ROUT Output circuits

* AKM assumes no responsibility for the trouble when using the circuit examples.

2. Control Software Manual

■ Set-up of evaluation board and control software

1. Set up the AKD5366 according to previous term.
2. Connect IBM-AT compatible PC with AKD5366 by 10-line type flat cable (packed with AKD5366). Take care of the direction of 10pin header. (Please install the driver in the CD-ROM when this control software is used on Windows 2000/XP. Please refer "Installation Manual of Control Software Driver by AKM device control software". In case of Windows95/98/ME, this installation is not needed. This control software does not operate on Windows NT.)
3. Insert the CD-ROM labeled "AK5366 Evaluation Kit" into the CD-ROM drive.
4. Access the CD-ROM drive and double-click the icon of "akd5366.exe" to set up the control program.
5. Then please evaluate according to the follows.

■ Operation flow

Keep the following flow.

1. Set up the control program according to explanation above.
2. Click "Port Setup" button.
3. Click "Write default" button.
4. Then set up the dialog and input data.

■ Explanation of each buttons

1. [Write default] : Initialize the register of AK5366.
2. [All Read] : Read all registers of AK5366.
3. [Function2] : Dialog to evaluate IPGA.
4. [Write] : Dialog to write data by mouse operation.
5. [Read] : Read data by mouse operation.

■ Explanation of each dialog

1. [Function2 Dialog] : Dialog to evaluate IPGA

This dialog corresponds to only addr=04H, 05H.

Address Box: Input register address in 2 figures of hexadecimal.

Start Data Box: Input start data in 2 figures of hexadecimal.

End Data Box: Input end data in 2 figures of hexadecimal.

Interval Box: Data is written to AK5366 by this interval.

Step Box: Data changes by this step.

Mode Select Box:

If you check this check box, data reaches end data, and returns to start data.

[Example] Start Data = 00, End Data = 09

Data flow: 00 01 02 03 04 05 06 07 08 09 09 08 07 06 05 04 03 02 01 00

If you do not check this check box, data reaches end data, but does not return to start data.

[Example] Start Data = 00, End Data = 09

Data flow: 00 01 02 03 04 05 06 07 08 09

If you want to write the input data to AK5366, click "OK" button. If not, click "Cancel" button.

2. [Write Dialog] : Dialog to write data by mouse operation

There are dialogs corresponding to each register.

Click the "Write" button corresponding to each register to set up the dialog. If you check the check box, data becomes "H" or "1". If not, "L" or "0".

If you want to write the input data to AK5366, click "OK" button. If not, click "Cancel" button.

■ Indication of data

Input data is indicated on the register map. Red letter means "H" or "1" and blue one means "L" or "0". Blank means the part that is not defined in the datasheet.

■ Attention on the operation

If you set up Function2 dialog, input data to all boxes. Attention dialog is indicated if you input data or address that is not specified in the datasheet or you click "OK" button before you input data. In that case set up the dialog and input data once more again. If you click "Cancel" button during operation, the operation is cancelled and returns to the initial window.

MEASUREMENT RESULTS

[Measurement condition]

- Measurement unit : Audio Precision, System Two Cascade
- MCLK : 256fs
- BICK : 64fs
- fs : 48kHz
- Bit : 24bit
- Power Supply : AVDD = TVDD = 5.0V, DVDD = 3.3V
- Interface : DIT
- Temperature : Room
- External Condition : Input resistor (Ri) = 47kΩ, Feedback resistor (Rf) = 24kΩ
- IPGA Gain : 0dB

Parameter		Result (Lch / Rch)	Unit
Pre-Amp Characteristics:			
S/(N+D)		103.9 / 103.5	dB
S/N (A-weighted)		107.9 / 107.6	dB
ADC Analog Input Characteristics: LIN1/RIN1 → Pre-Amp → IPGA → ADC, IPGA=0dB, ALC=OFF			
S/(N+D) (-0.5dB Input)	fs=48kHz	95.6 / 95.1	dB
D-Range (-60dB Input)	fs=48kHz, A-weighted	102.6 / 102.4	dB
S/N	fs=48kHz, A-weighted	102.6 / 102.4	dB
Interchannel Isolation		112.9 / 112.1	dB

[ADC Plot : fs=48kHz]

AKM

AK5366 THD+N vs. Input Level
AVDD=TVDD=5.0V, DVDD=3.3V, fs=48kHz, fin=1kHz

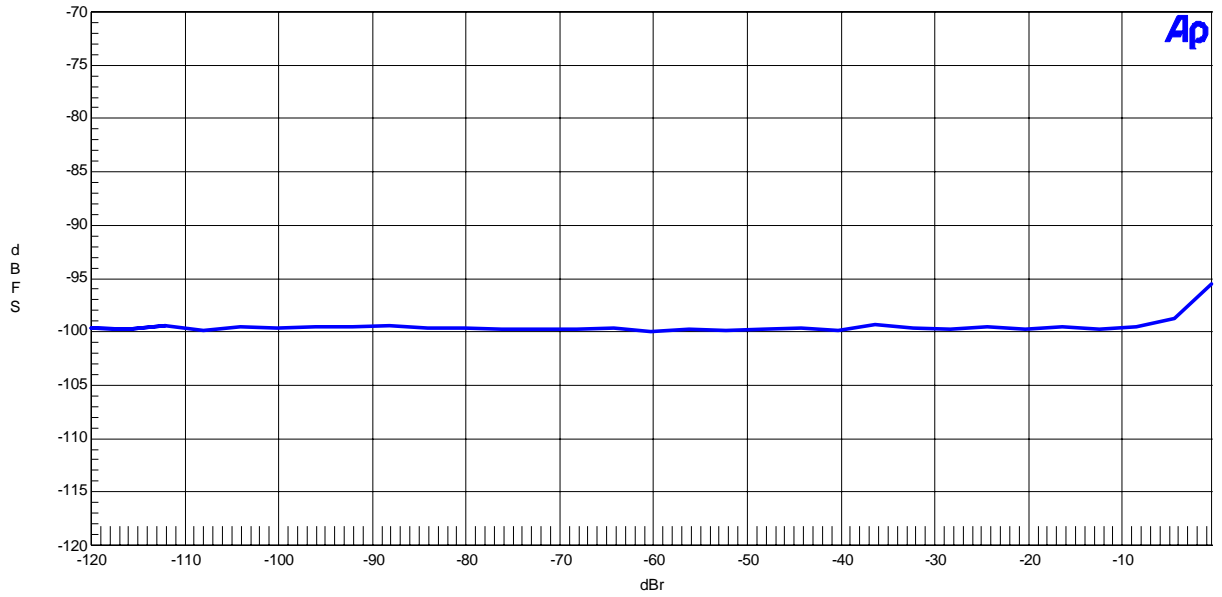


Figure 1. THD+N vs. Input Level

AKM

AK5366 THD+N vs. Input Frequency
AVDD=TVDD=5.0V, DVDD=3.3V, fs=48kHz, Input=-0.5dBr

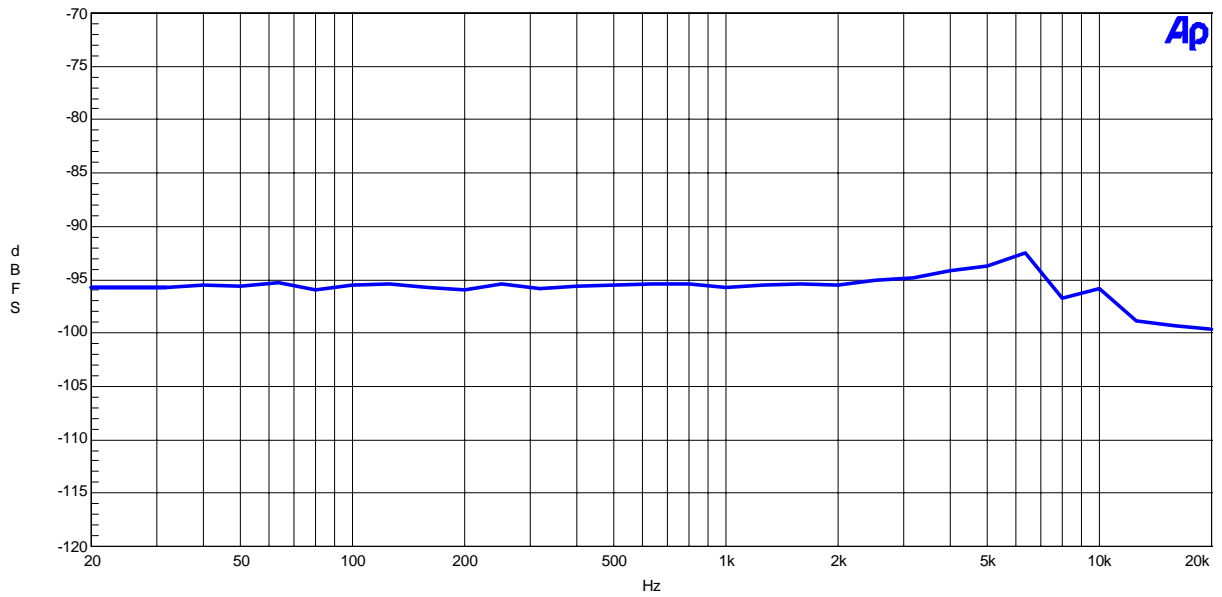


Figure 2. THD+N vs. Input Frequency

AKM

AK5366 Linearity
AVDD=TVDD=5.0V, DVDD=3.3V, fs=48kHz, fin=1kHz

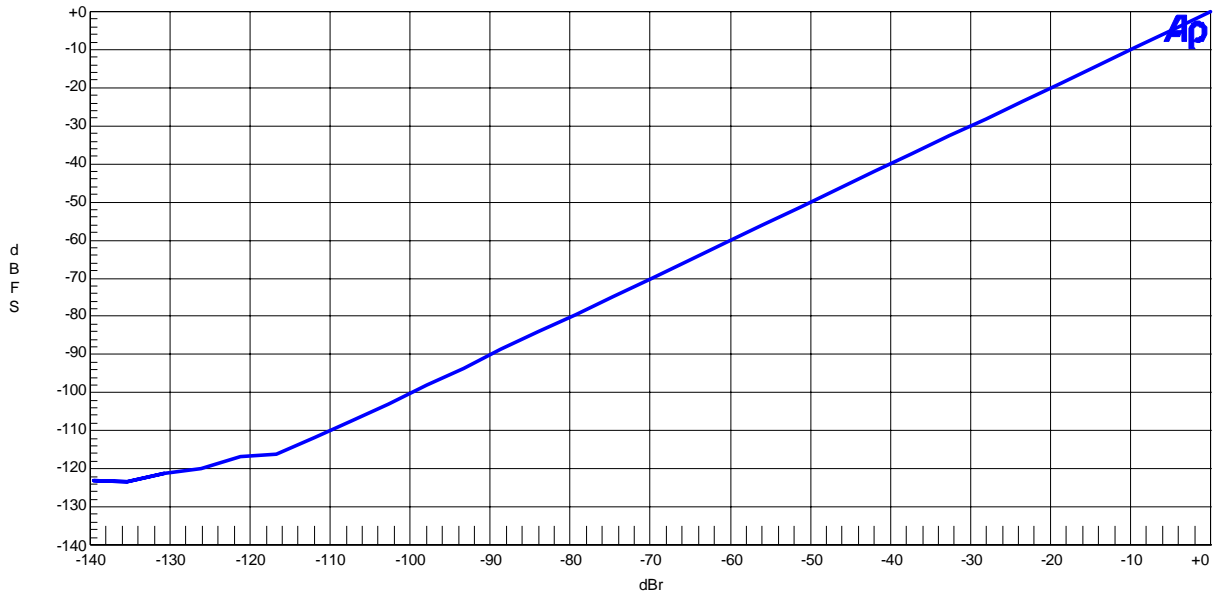


Figure 3. Linearity

AKM

AK5366 Frequency Response
AVDD=TVDD=5.0V, DVDD=3.3V, fs=48kHz, Input=-0.5dBr

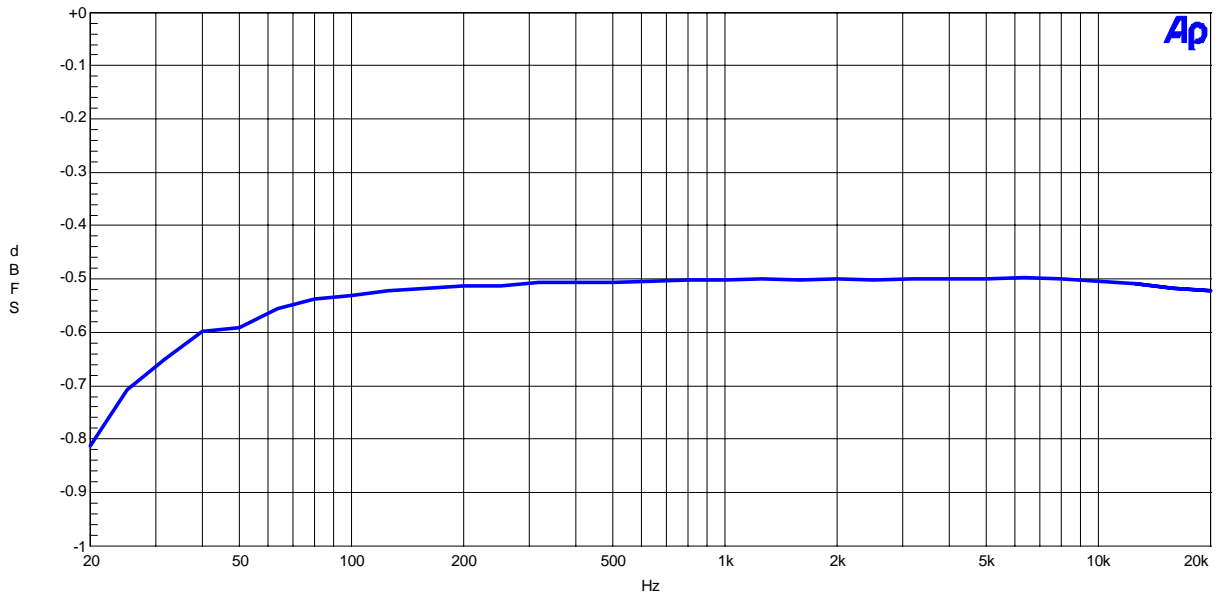


Figure 4. Frequency Response

AKM

AK5366 Crosstalk
AVDD=TVDD=5.0V, DVDD=3.3V, fs=48kHz, Input=-0.5dB

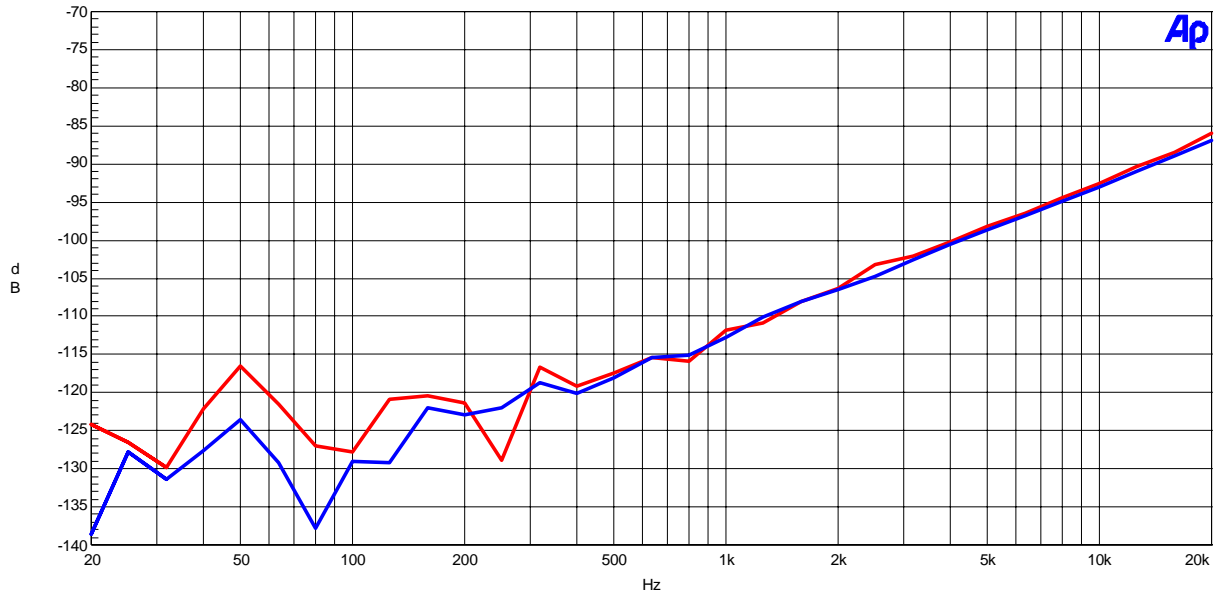


Figure 5. Crosstalk

AKM

AK5366 FFT Plot
AVDD=TVDD=5.0V, DVDD=3.3V, fs=48kHz, Input=-0.5dB, fin=1kHz

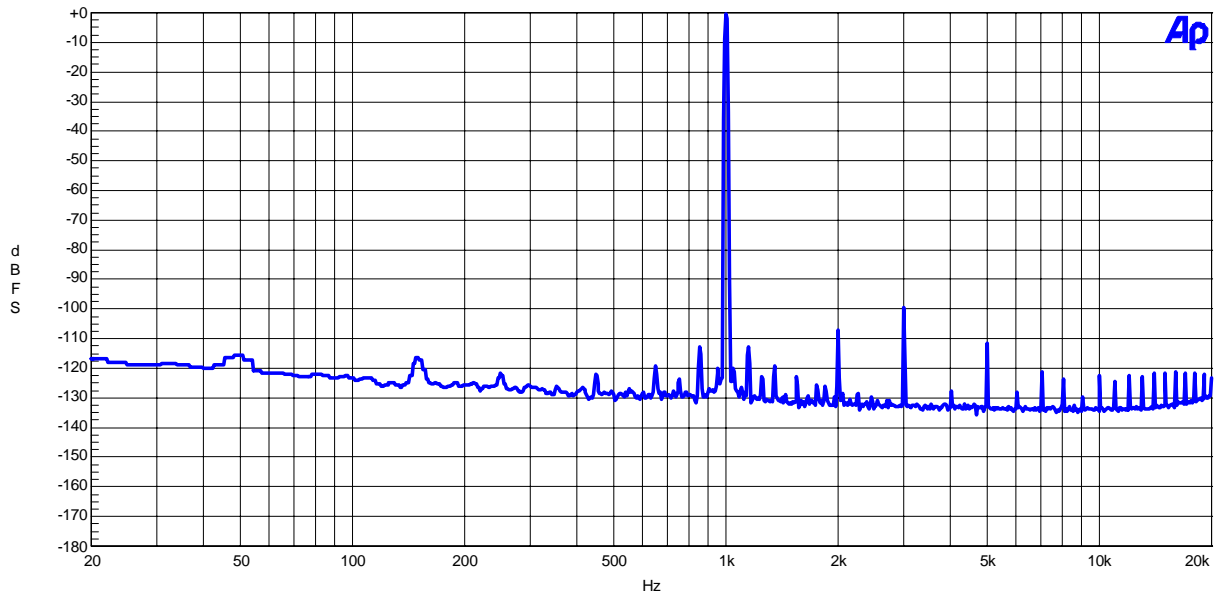


Figure 6. FFT Plot

AKM

AK5366 FFT Plot
AVDD=TVDD=5.0V, DVDD=3.3V, fs=48kHz, Input=-60dB, fin=1kHz

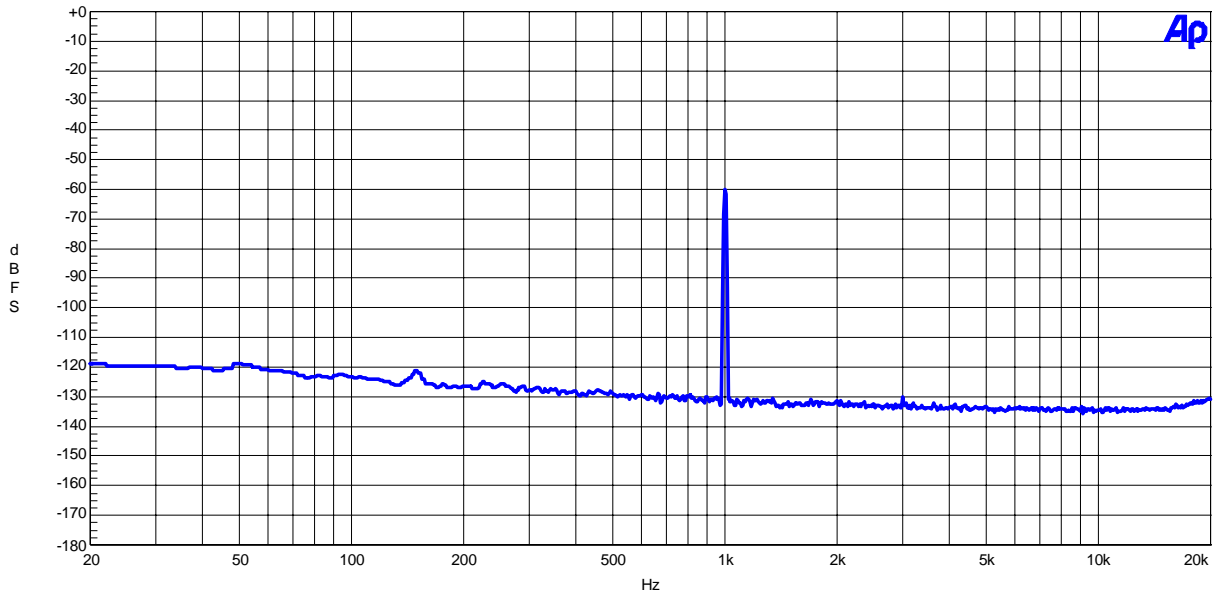


Figure 7. FFT Plot

AKM

AK5366 FFT Plot
AVDD=TVDD=5.0V, DVDD=3.3V, fs=48kHz, fin=None

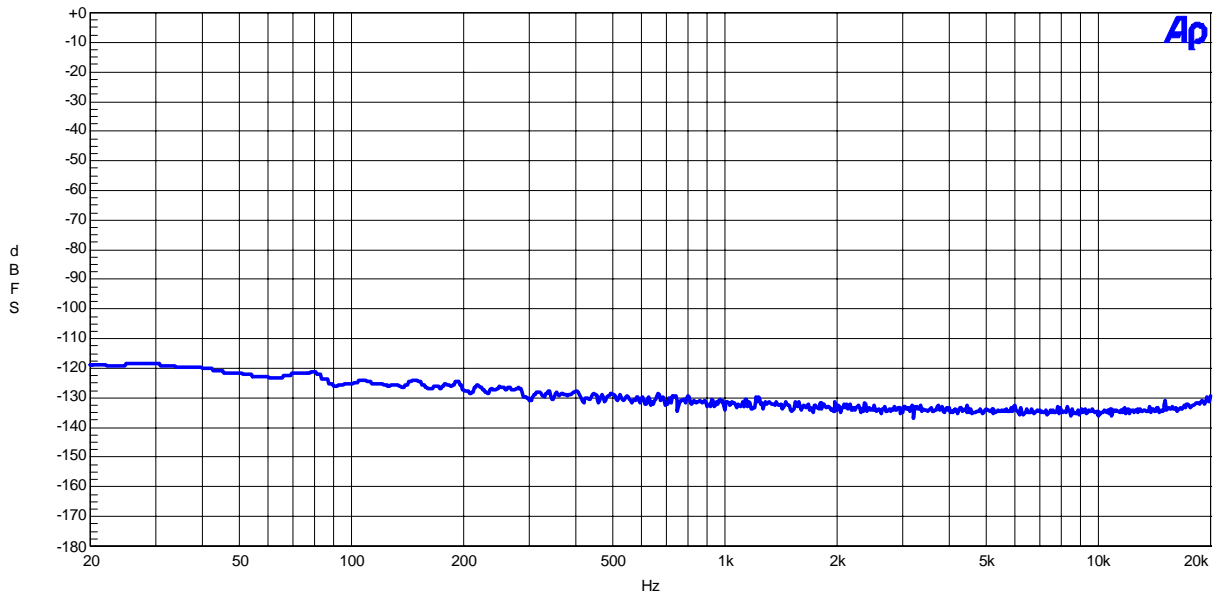
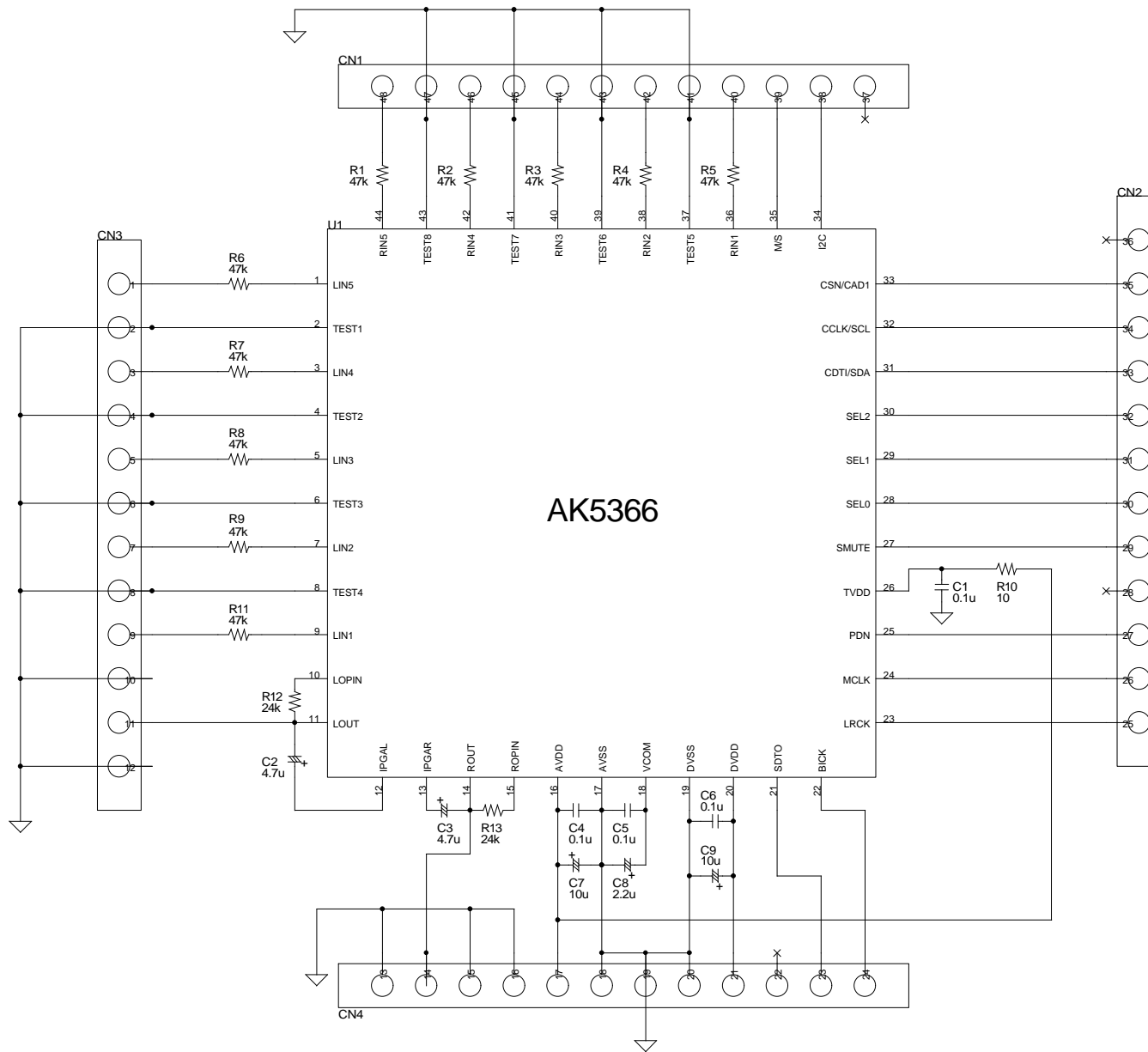


Figure 8. FFT Plot

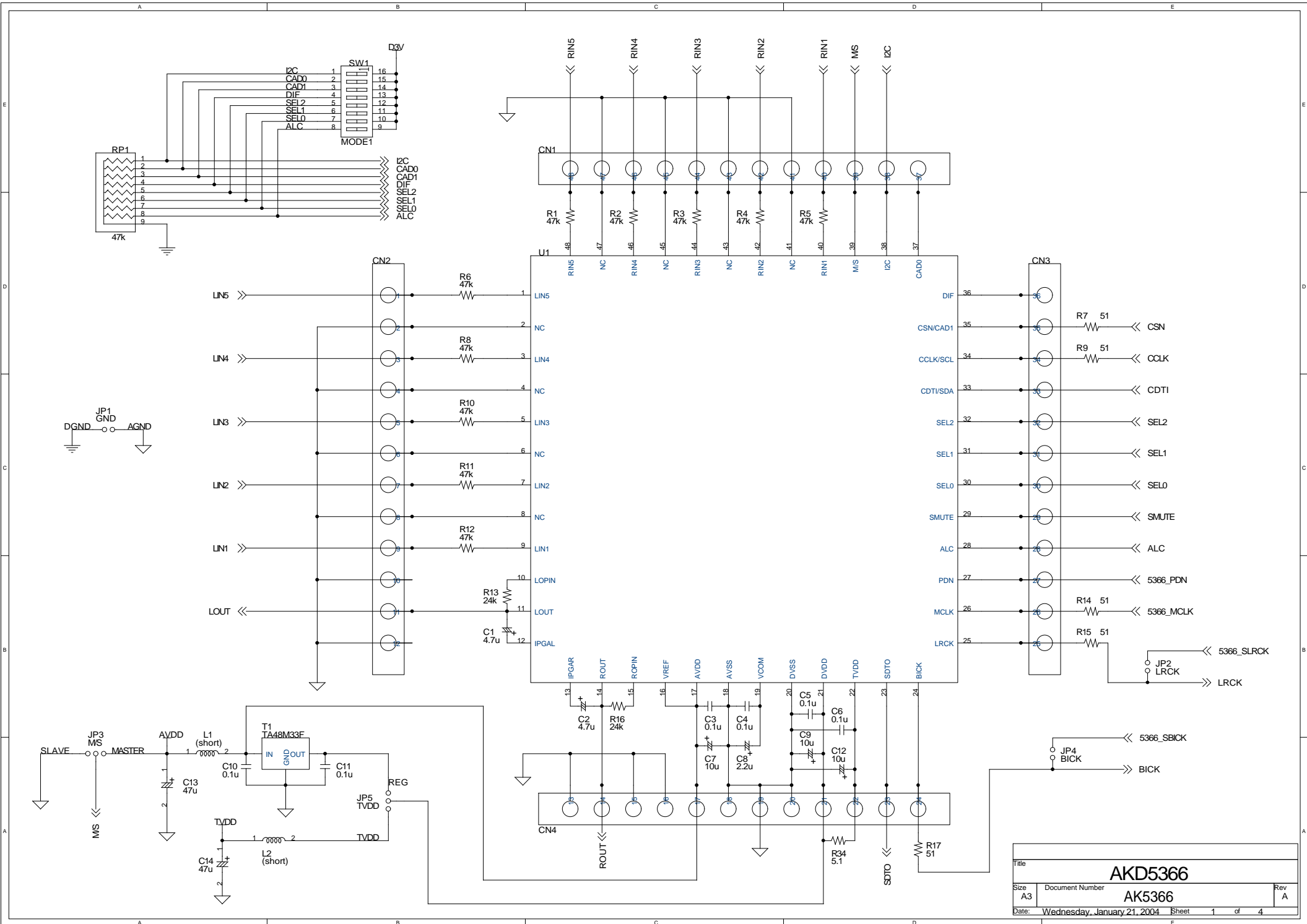
IMPORTANT NOTICE

- These products and their specifications are subject to change without notice. Before considering any use or application, consult the Asahi Kasei Microsystems Co., Ltd. (AKM) sales office or authorized distributor concerning their current status.
- AKM assumes no liability for infringement of any patent, intellectual property, or other right in the application or use of any information contained herein.
- Any export of these products, or devices or systems containing them, may require an export license or other official approval under the law and regulations of the country of export pertaining to customs and tariffs, currency exchange, or strategic materials.
- AKM products are neither intended nor authorized for use as critical components in any safety, life support, or other hazard related device or system, and AKM assumes no responsibility relating to any such use, except with the express written consent of the Representative Director of AKM. As used here:
 - (a) A hazard related device or system is one designed or intended for life support or maintenance of safety or for applications in medicine, aerospace, nuclear energy, or other fields, in which its failure to function or perform may reasonably be expected to result in loss of life or in significant injury or damage to person or property.
 - (b) A critical component is one whose failure to function or perform may reasonably be expected to result, whether directly or indirectly, in the loss of the safety or effectiveness of the device or system containing it, and which must therefore meet very high standards of performance and reliability.
- It is the responsibility of the buyer or distributor of an AKM product who distributes, disposes of, or otherwise places the product with a third party to notify that party in advance of the above content and conditions, and the buyer or distributor agrees to assume any and all responsibility and liability for and hold AKM harmless from any and all claims arising from the use of said product in the absence of such notification.

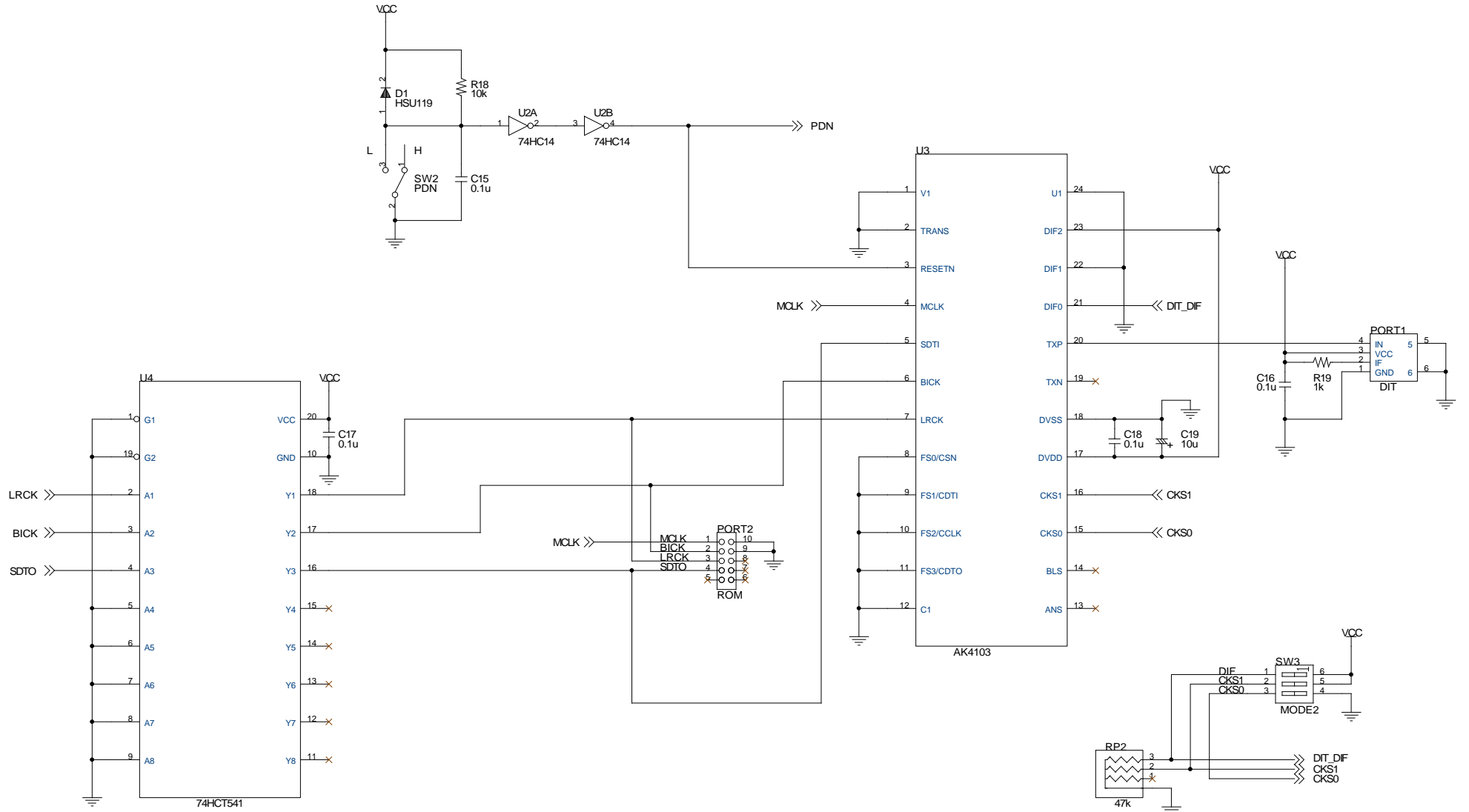


AK5366

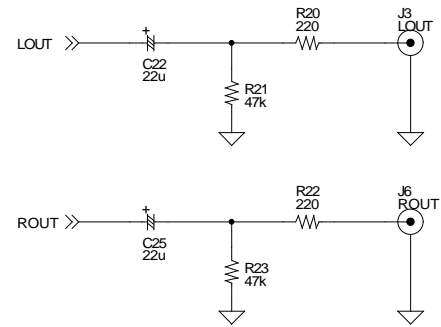
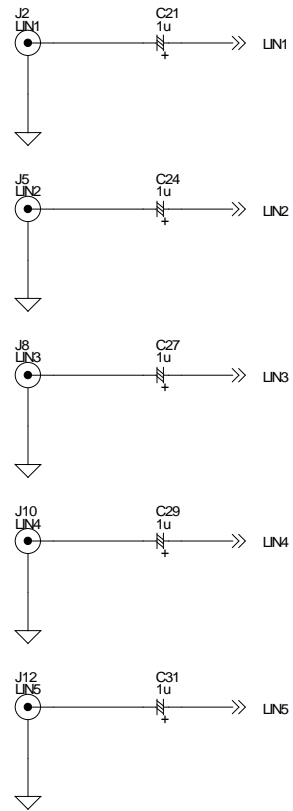
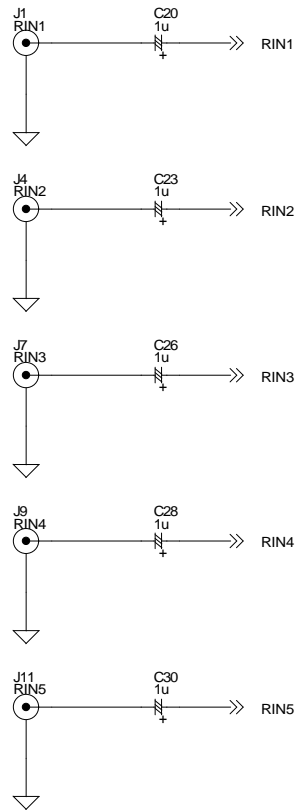
Title			AKD5366		
Size	Document Number				Rev
A3	AK5366 44Sub				A
Date:	Sunday, December 14, 2003	Sheet	1	of	1



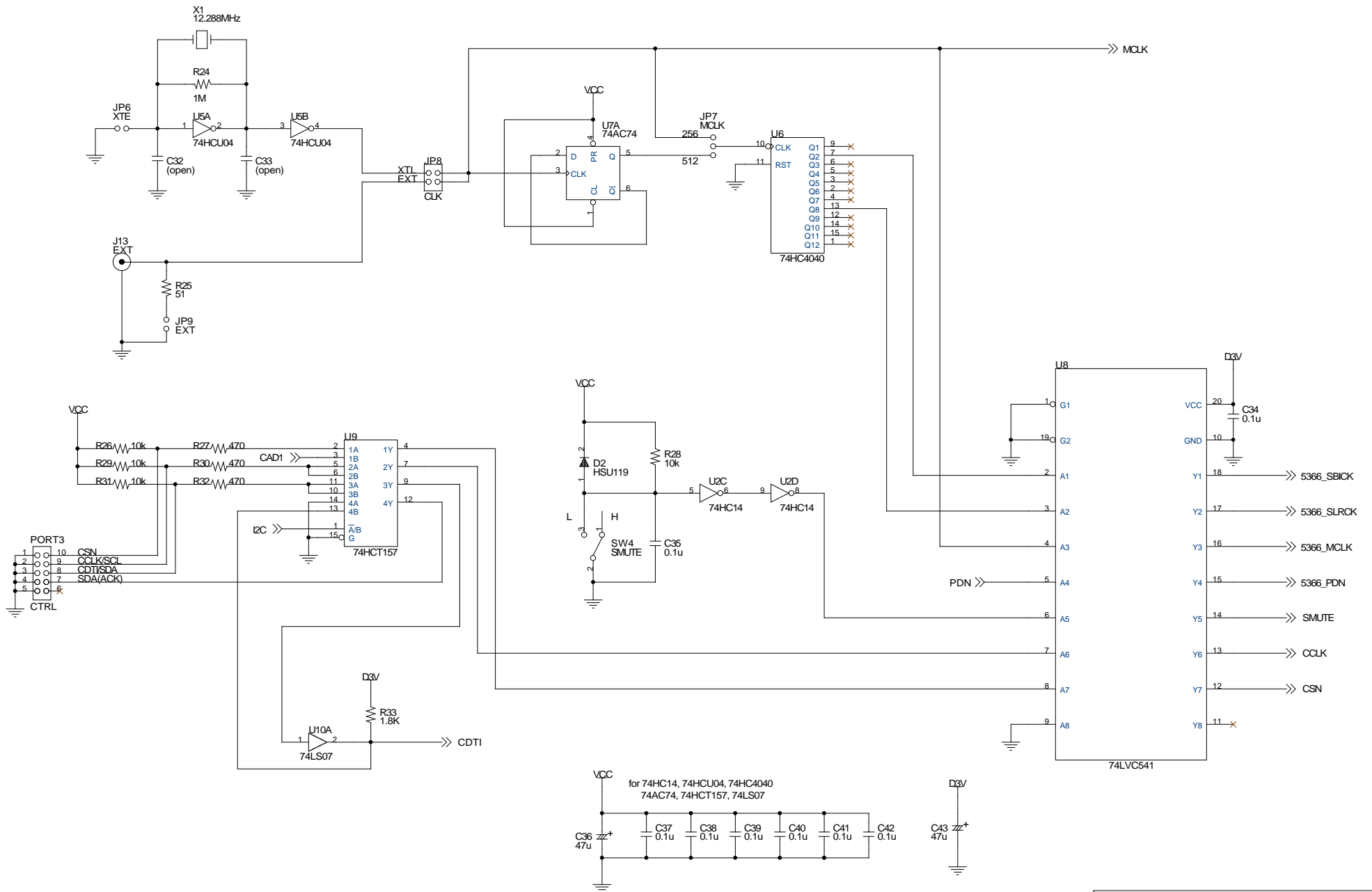
Title		
AKD5366		
Size	Document Number	Rev
A3	AK5366	A
Date:	Wednesday, January 21, 2004	Sheet 1 of 4



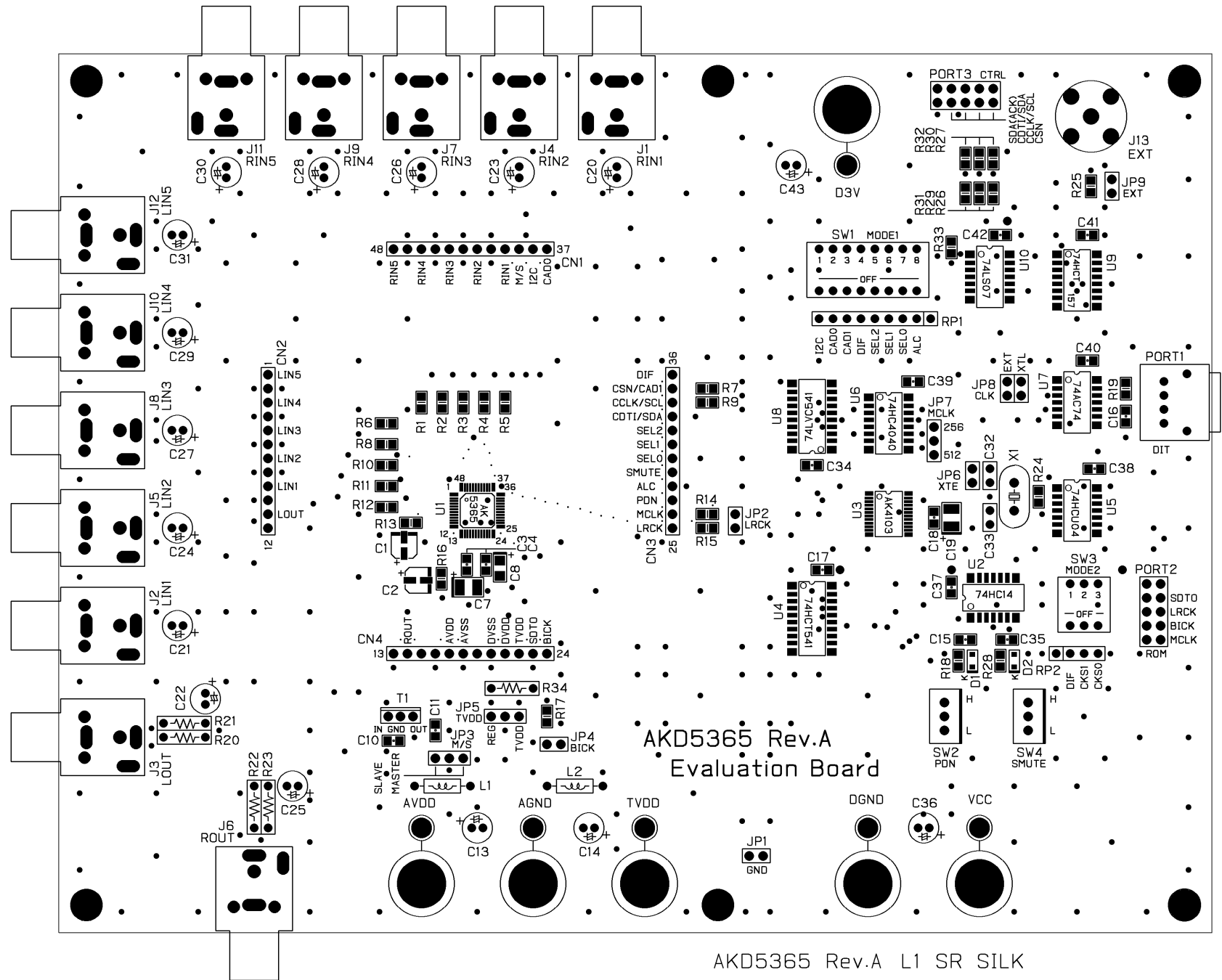
Title			AKD5366		
Size	Document Number		Rev		
A3			DIT		A
Date:	Wednesday, January 21, 2004		Sheet	2	of 4

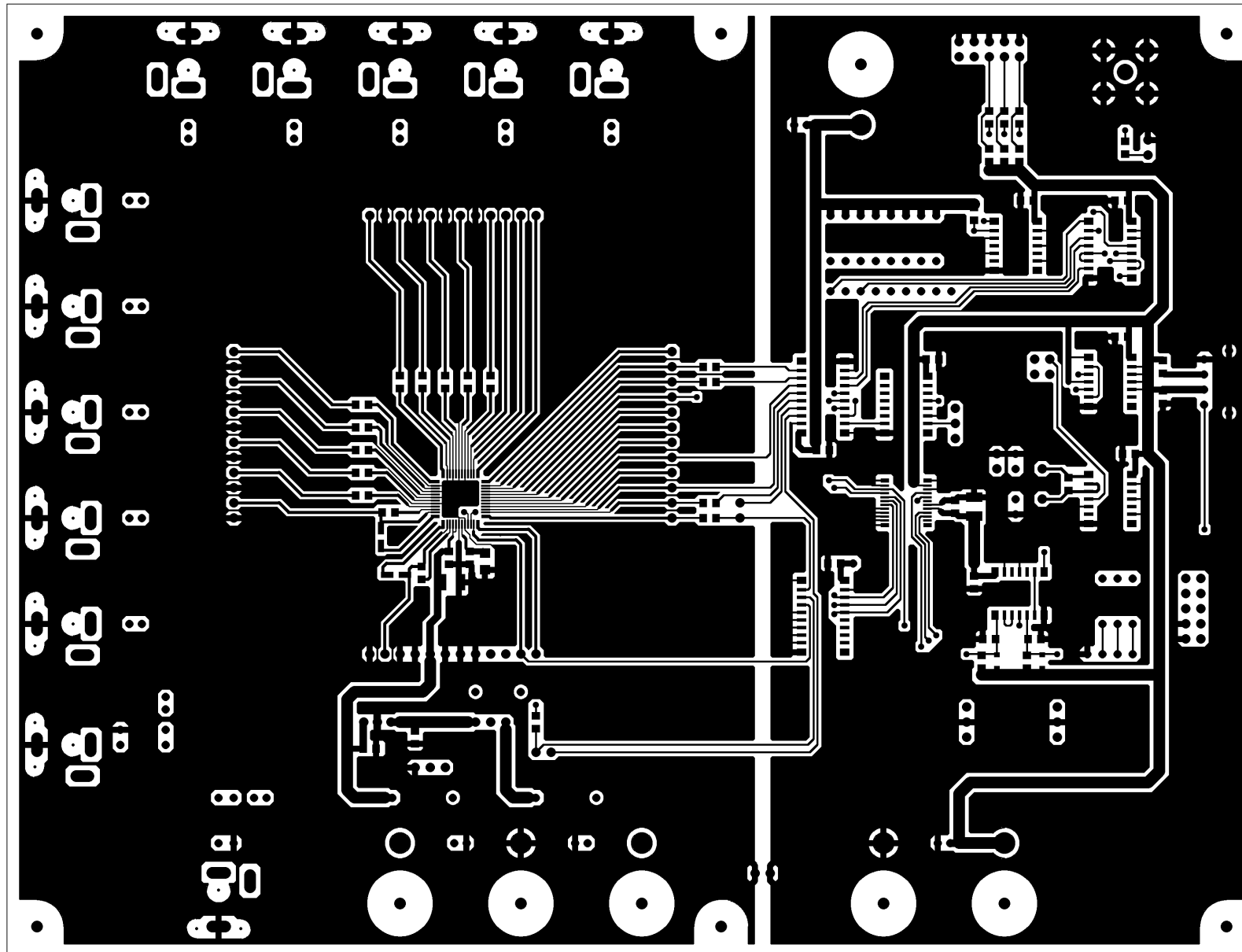


Title		AKD5366	
Size	Document Number	Input/Output	
A3			Rev A
Date: Wednesday, January 21, 2004		Sheet	3 of 4

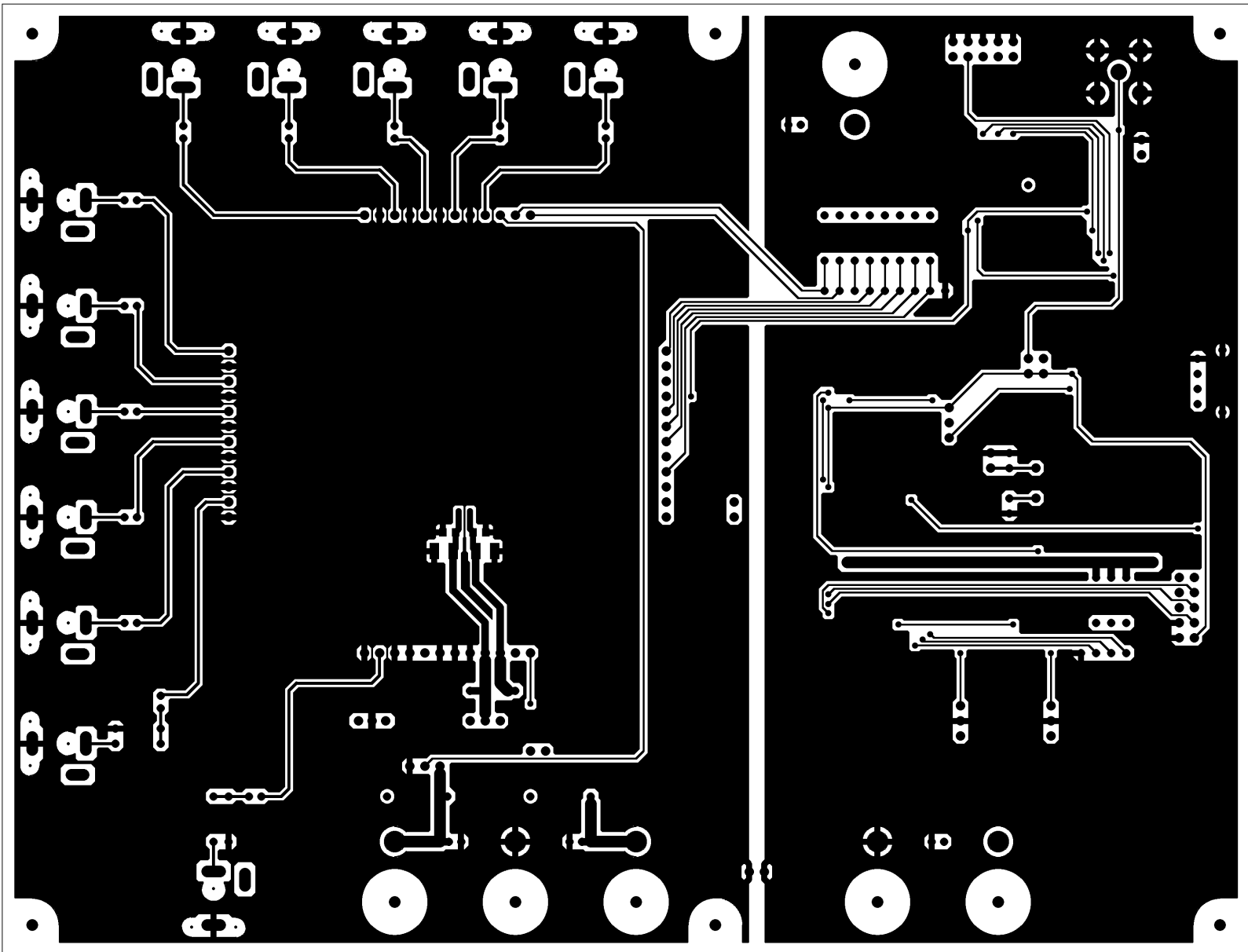


Title			AKD5366		
Size	Document Number	Rev			
A3	LOGIC	A			
Date:	Wednesday, January 21, 2004	Sheet	4	of 4	

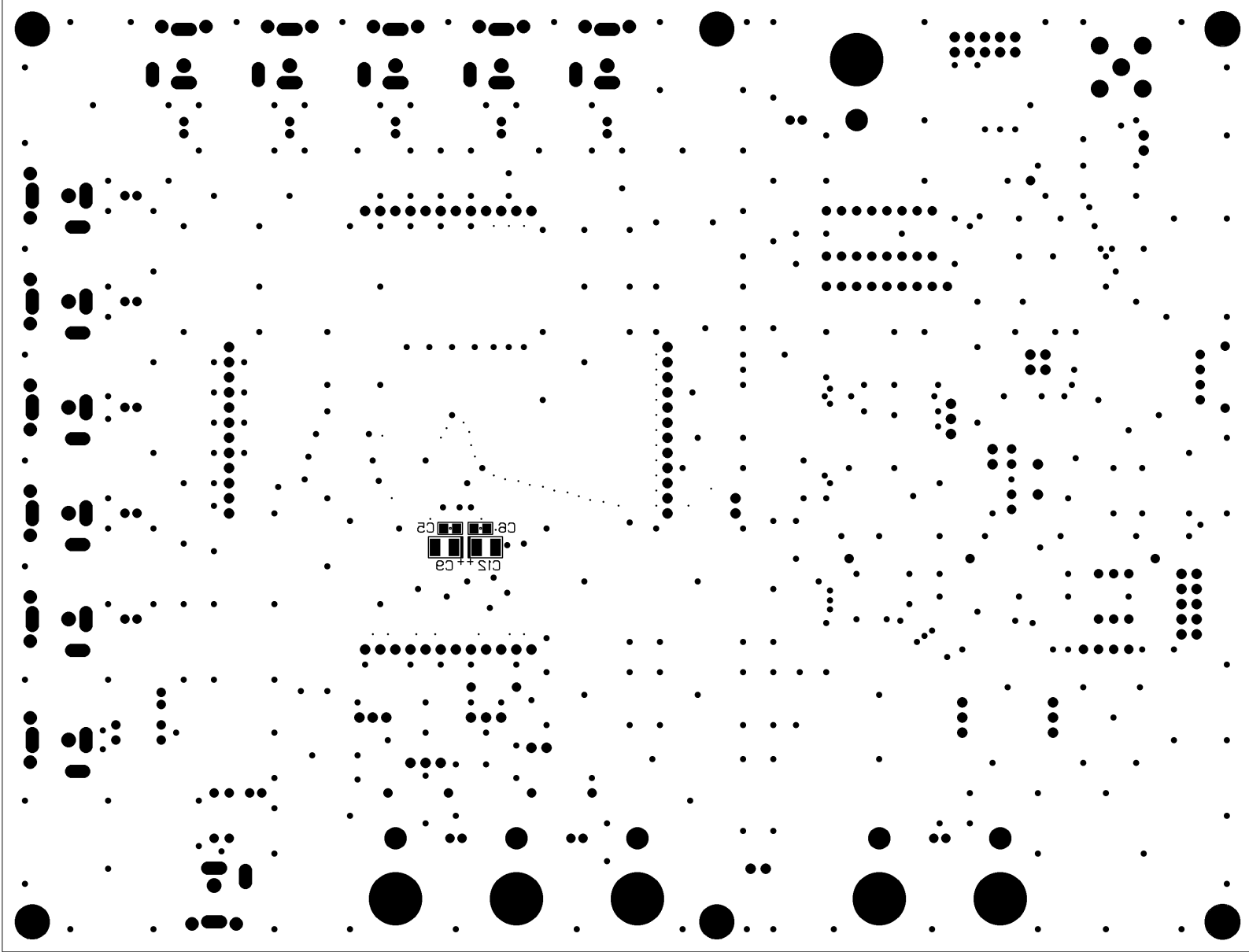




AKD5365 Rev.A L1



AKD2382 Rev.A LS



AKD5362 Rev. A LS SR SILK