

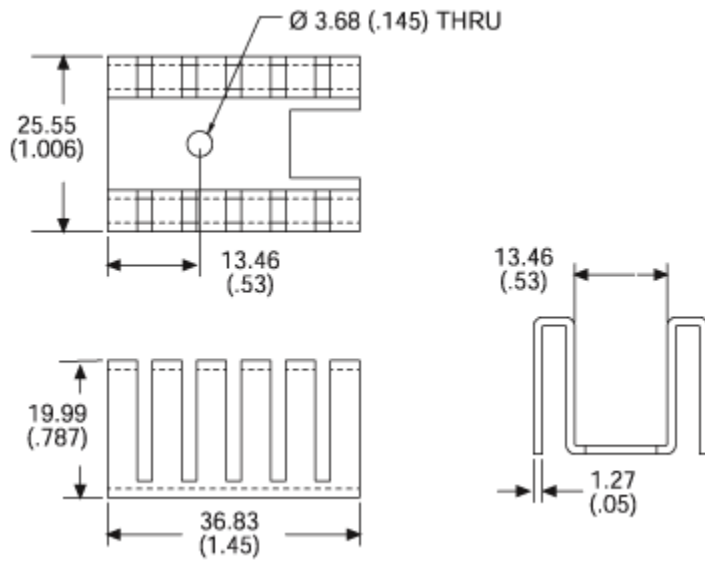


For use with TO-220 packages

551002b00000  
VIS#002015



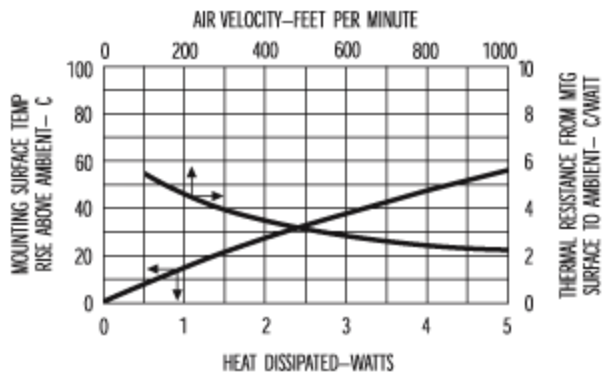
Mechanical Outline Drawing



|                           |      |
|---------------------------|------|
| <b>Thermal Resistance</b> | 12.4 |
|---------------------------|------|

Thermal resistance value is based on a 75°C rise in natural convection

## Thermal Curves



## Product Information

| 12 Digit Part # | Description                      | Finish        | Board Mounting |
|-----------------|----------------------------------|---------------|----------------|
| 551002b00000    | Heat Sink with no added hardware | Black Anodize | N/A            |

### Not Exactly what you need?

We offer several options for those applications which require a more unique solution. For slight modifications of this part or other attachment options, finishes, and interface materials, contact your [local representative](#). Challenge us with your thermal requirements - we can design custom solutions.

**For technical help with our Standard Products,**  
**please call (603) 223-1921, or contact your local Manufacturer's Rep**  
**Email: [info@aavid.com](mailto:info@aavid.com)**

Visit us at [www.aavidthermalloy.com](http://www.aavidthermalloy.com) • ©2002 Aavid Thermalloy, LLC