

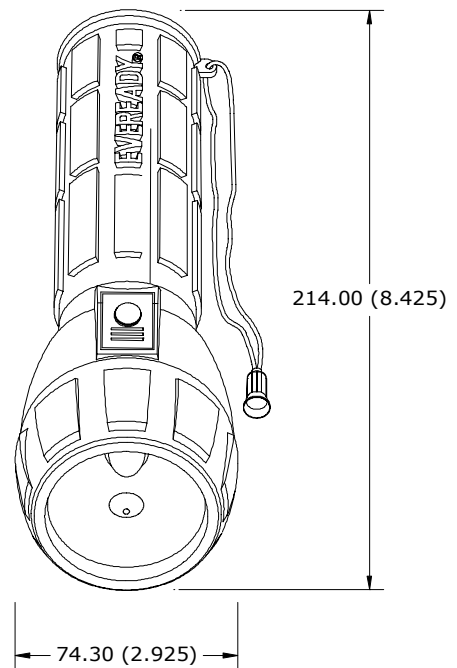
**4250**  
Industrial Rubber Light



**Specifications**

- Designation:** Industrial Flashlight
- Power Source:** Two D Size Batteries (ANSI/NEDA 13 Series)
- Lamp:** No. KPR-102 (Rated at 2.4V, 0.7A)
- Lamp Life:** Rated at 15 Hours
- Lamp Output:** Rated at 16.5 Lumens
- Typical Weight:** 148 grams (5.3 oz.) (without batteries)

**Physical Dimensions**  
mm (inches)

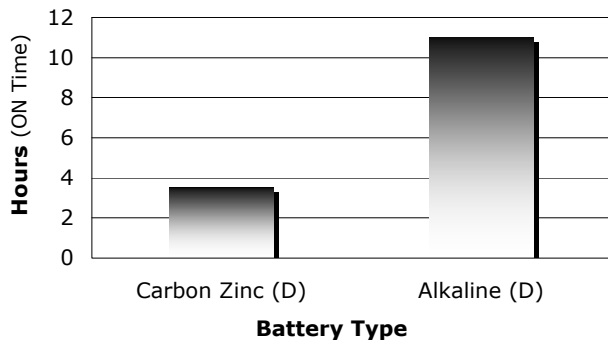


**Features**

- Heavy Duty Rubber Flashlight
- Impact Resistant
- Bright Krypton Bulb

**Typical Battery Service**

700 mA Continuous  
at 21°C (70°F)



**Typical Battery Service to 0.9V (per battery) at 21°C (70°F)**

Schedule	Battery Type	Hours (ON Time)
700 mA Continuous	1250	3.5
700 mA Continuous	E95	11

**Important Notice**

This datasheet contains information specific to flashlights manufactured at the time of its publication.  
**Contents herein do not constitute a warranty.**  
Copyright Eveready Battery Co. Inc. - All Rights Reserved