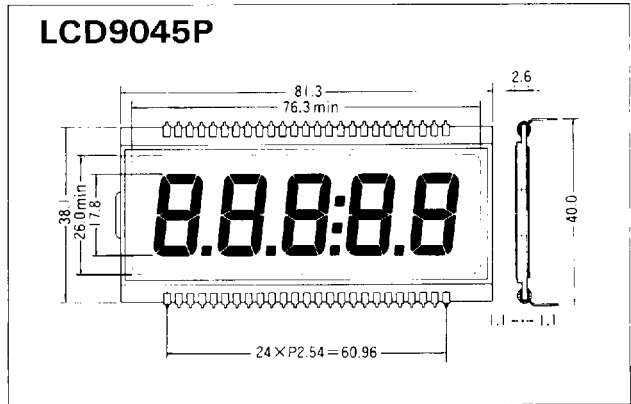
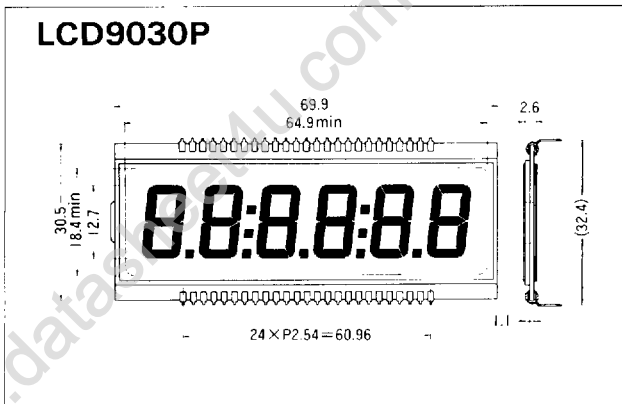
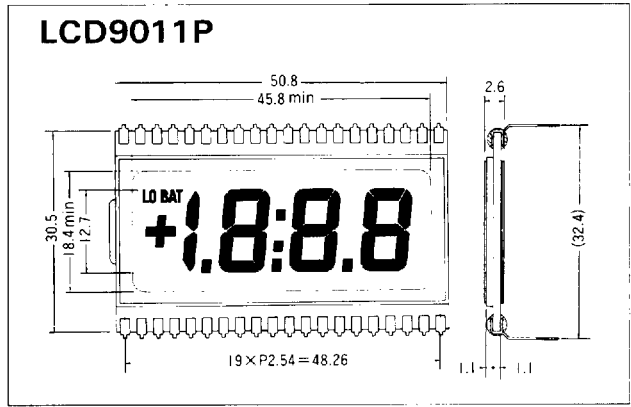
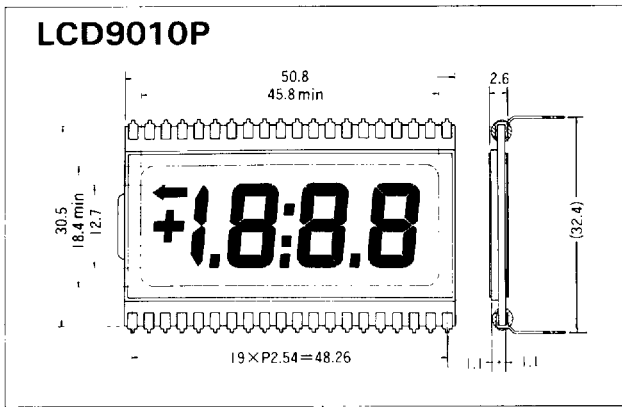
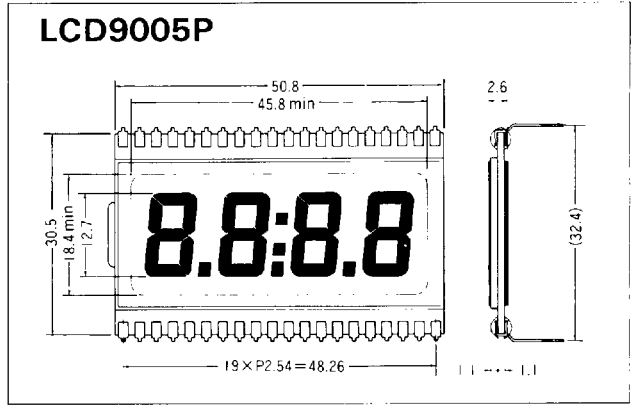
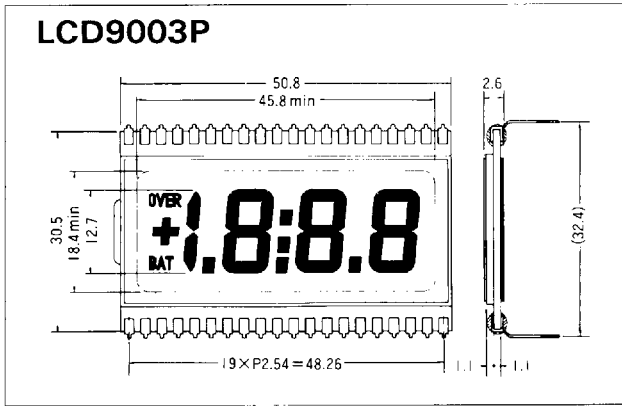


General-purpose LCD panels

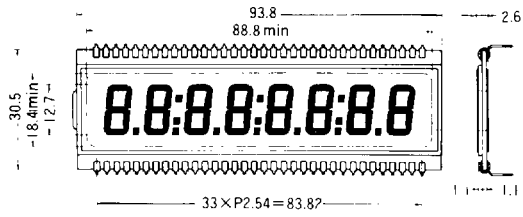
Continued from preceding page.

■ LCDs for instrumentation

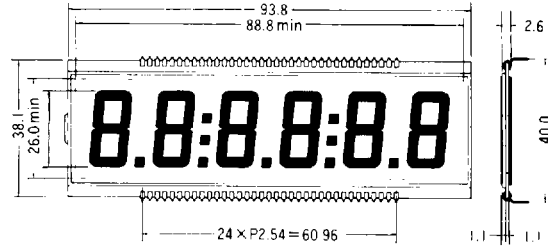
Type No.	Dimensions W×H×T(mm)	Display area W×H(mm)	Character height (mm)	Pin pitch (mm)	Drive method	Applicable LSI
LCD9003P	50.8×30.5×2.6	44.8×18.4	12.7	2.54	3.0V, STATIC	ICL7106
LCD9005P	50.8×30.5×2.6	45.8×18.4	12.7	2.54	3.0V, STATIC	ICL7106
LCD9010P	50.8×30.5×2.6	45.8×18.4	12.7	2.54	3.0V, STATIC	ICL7106
LCD9011P	50.8×30.5×2.6	45.8×18.4	12.7	2.54	3.0V, STATIC	ICL7106
LCD9030P	69.9×30.5×2.6	64.9×18.4	12.7	2.54	3.0V, STATIC	LC7582
LCD9045P	81.3×38.1×2.6	76.3×26.0	17.8	2.54	3.0V, STATIC	LC7582
LCD9050P	93.8×30.5×2.6	88.8×18.4	12.7	2.54	3.0V, STATIC	LC7582
LCD9055P	93.8×38.1×2.6	88.8×26.0	17.8	2.54	3.0V, STATIC	LC7582
LCD9060P	137.1×45.7×2.6	132.1×33.1	25.4	2.54	3.0V, STATIC	LC7582
LCD9102	70.0×22.0×2.6	65.0×13.0	6.4	1.80	3.0V, 1/3B, 1/4D	μPD7225G



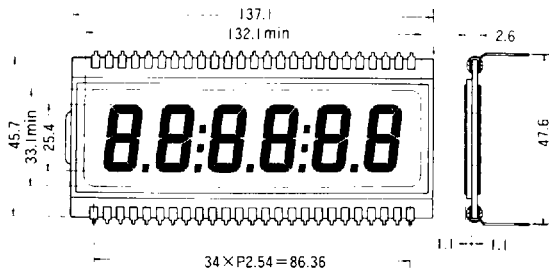
LCD-9050P



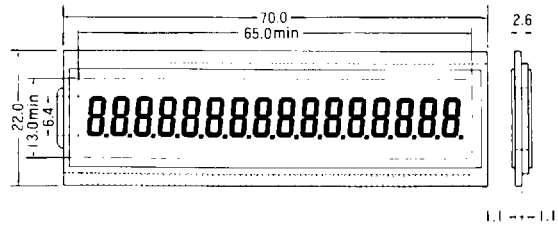
LCD-9055P



LCD-9060P



LCD-9102



General-purpose
LCD modules and panels