

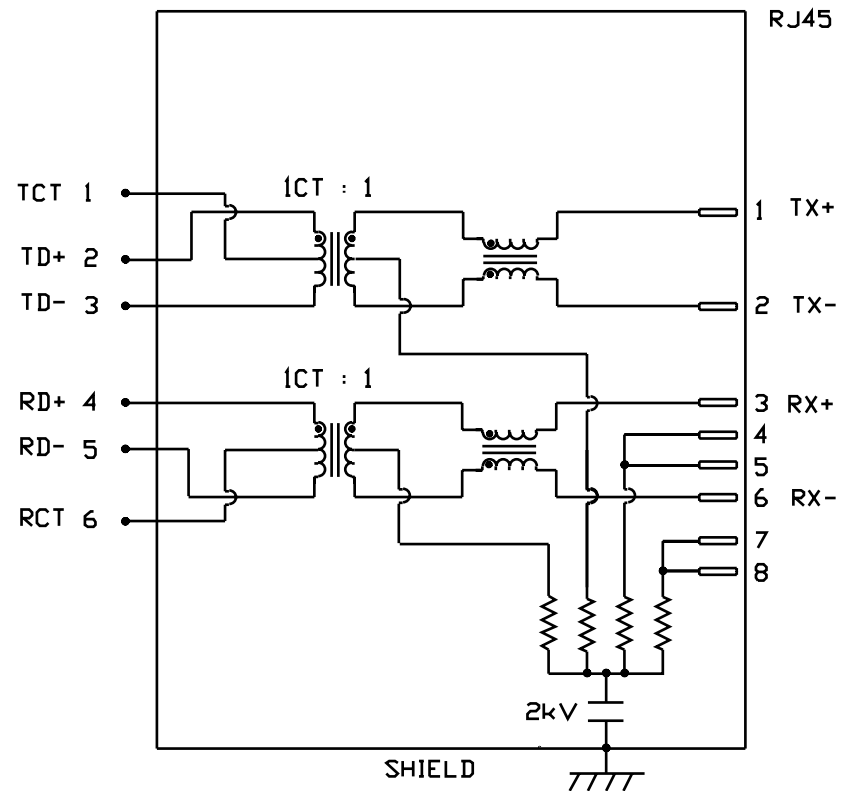
INTEGRATED CONNECTOR MODULES

0811-1X1T-36 10/100Base-TX Single Port Extended Temp MagJack®

ELECTRICAL CHARACTERISTICS @ 25°C

TURNS RATIO	
TX	1CT : 1
RX	1CT : 1
DCL @ 100kHz/100mVRMS 8mA DC BIAS	
	350µH MIN.
INS. LOSS	
1MHz TO 100MHz	-1.0 dB MAX
RET. LOSS (MIN)	
1MHz-30MHz	-18 dB
30MHz-60MHz	-18+20LOG(F/30MHz) dB
60MHz-80MHz	-12 dB
CROSS TALK (TX - RX)	
500kHz-100MHz	-35 dB MIN
CM TO CM REJ	
100kHz-100MHz	-30 dB MIN
CM TO DM REJ	
100kHz-100MHz	-40 dB MIN
HIPOT (Isolation Voltage):	
	1500 Vrms

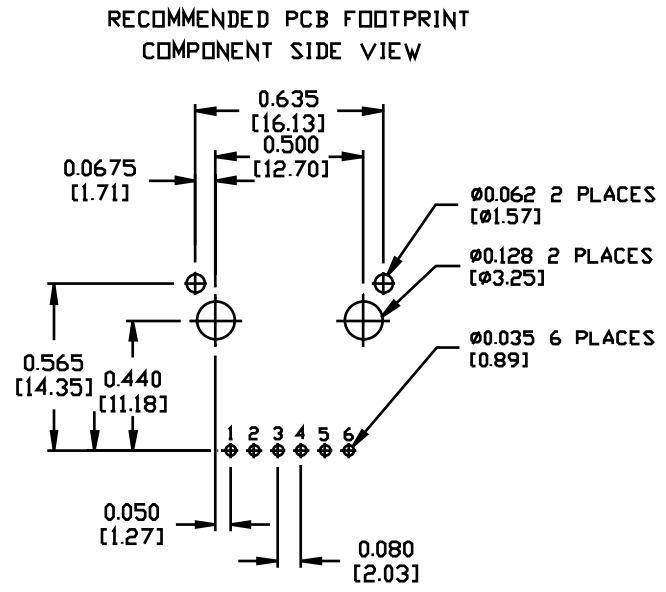
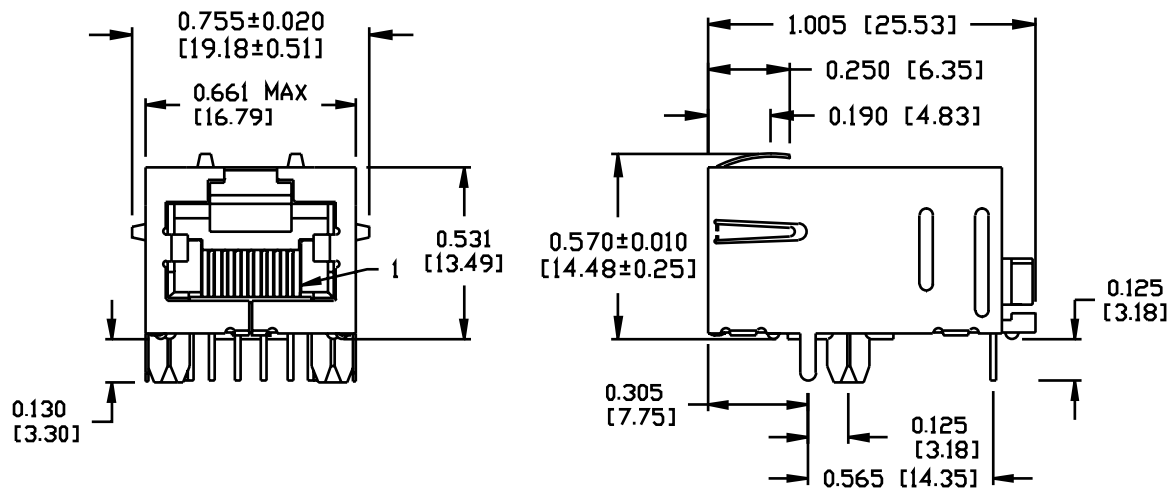
SCHEMATIC



INTEGRATED CONNECTOR MODULES

0811-1X1T-36 10/100Base-TX Single Port Extended Temp MagJack®

MECHANICAL SPECIFICATION

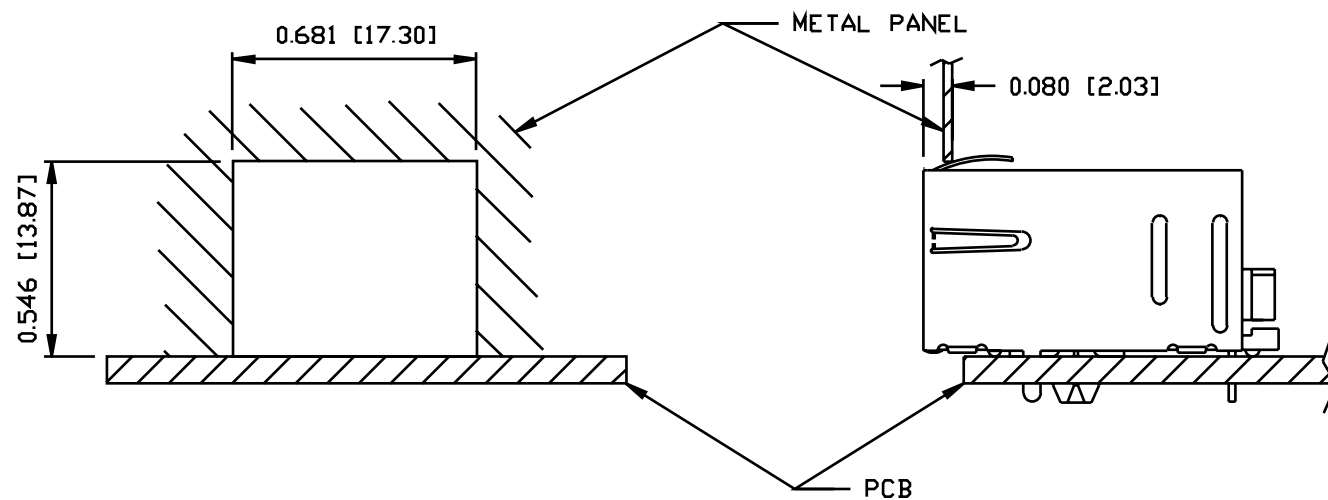


NOTES:

- PLASTIC HOUSING: THERMOPLASTIC PBT
FLAMMABILITY RATING UL 94V-0
- CONTACTS PLATING: 50 MICRO-INCH HARD GOLD PLATING
- PINS: TIN-COATED COPPER WIRE, DIA 0.018 INCH.
- SOLDERABILITY: PER MIL STD. 202, METHOD 208.
- METAL SHIELD: TIN/LEAD PLATED ON COPPER ALLOY.

INTEGRATED CONNECTOR MODULES
0811-1X1T-36 10/100Base-TX Single Port Extended Temp MagJack®

SUGGESTED PANEL OPENING



PACKING INFORMATION

PACKING TRAY : 0200-0148-12

PACKING QUANTITY : 60 PCS FINISHED GOOD PER TRAY

10 TRAY (600 PCS FINISHED GOOD) PER CARTON BOX

NOTE : CARDBOARDS ARE PLACED BETWEEN LAYERS OF PACKING TRAY INSIDE CARTON BOX
 (INCLUDE THE UPPERMOST AND LOWERMOST TRAY)