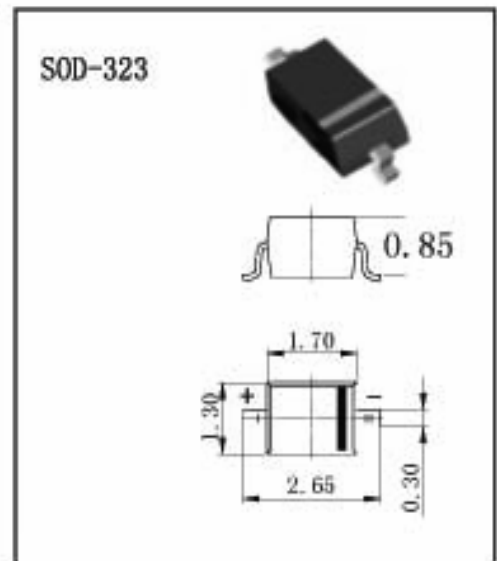


## 1SS357 Schottky Diodes

### FEATURES

- Small Package
- Low VF, low IR

MAKING: S31



### Maximum Ratings and Electrical Characteristics, Single Diode @T<sub>A</sub>=25°C

Parameter	Symbol	Limits	Unit
Peak reverse voltage	V <sub>RM</sub>	45	V
DC reverse voltage	V <sub>R</sub>	40	V
Mean rectifying current	I <sub>O</sub>	0.1	A
Peak forward surge current	I <sub>FSM</sub>	1	A
Junction temperature	T <sub>j</sub>	125	°C
Storage temperature	T <sub>stg</sub>	-55~+125	°C

### Electrical Ratings @T<sub>A</sub>=25°C

Parameter	Symbol	Min.	Typ.	Max.	Unit	Conditions
Forward voltage	V <sub>F</sub>		0.28 0.36	0.6	V	I <sub>F</sub> =1mA I <sub>F</sub> =10mA I <sub>F</sub> =100mA
Reverse current	I <sub>R</sub>			5	μA	V <sub>R</sub> =40V
Capacitance between terminals	C <sub>T</sub>			25	pF	V <sub>R</sub> =0, f=1MHz