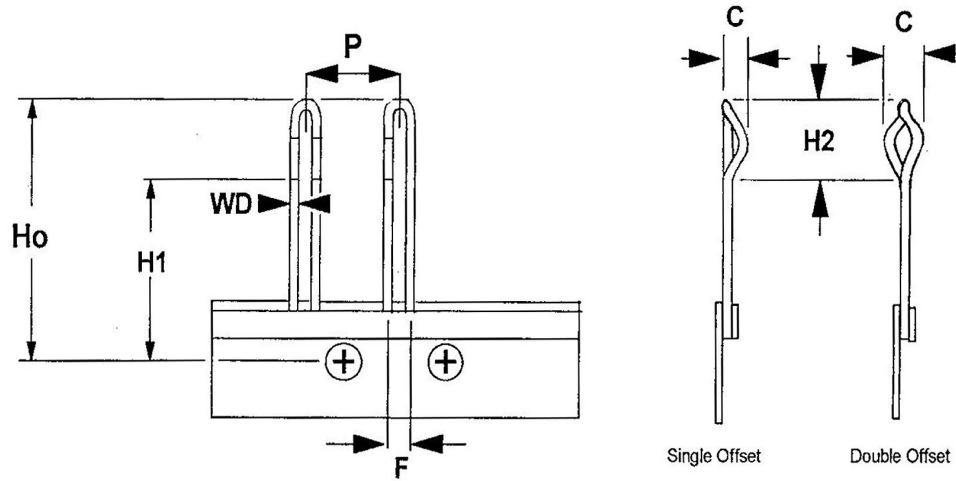


VESTAL PART NUMBER	AWG	WIRE DIAMETER (WD)	LEAD SPACE C/C (F)	PART PITCH (P)	OAH (Ho) +/- .020"	SEATING PLANE (H1) +/- .020"	FORM HEIGHT (H2) +/- .040"	CRIMP SIZE (C) MAX +/- .020"	MATERIAL	PLATING	QTY PER 14" REEL
BR/OS100-22-LSO	22	.025"	0.100"	.500"	.812"	.630"	.182"	.070"	SOLID COPPER	TIN	2,500
BR/OS100-22-HSO	22	.025"	0.100"	.500"	.990"	.630"	.382"	.070"	SOLID COPPER	TIN	2,500
BR/OS100-22-LDO	22	.025"	0.100"	.500"	.812"	.630"	.182"	.150" MAX	SOLID COPPER	TIN	2,000
BR/OS100-22-HDO	22	.025"	0.100"	.500"	.990"	.630"	.382"	.150" MAX	SOLID COPPER	TIN	2,000
BR/OS100-24-LSO	24	.020"	0.100"	.500"	.812"	.630"	.182"	.070"	SOLID COPPER	TIN	2,500
BR/OS100-24-HSO	24	.020"	0.100"	.500"	.990"	.630"	.382"	.070"	SOLID COPPER	TIN	2,500
BR/OS100-24-LDO	24	.020"	0.100"	.500"	.812"	.630"	.182"	.150" MAX	SOLID COPPER	TIN	2,000
BR/OS100-24-HDO	24	.020"	0.100"	.500"	.990"	.630"	.382"	.150" MAX	SOLID COPPER	TIN	2,000



NOTES:

1. All products are RoHS compliant
2. All taping dimensions and tolerances conform to EIA-468B unless otherwise noted
3. All wire meets ASTM-B33 for solderability

Title: Bare Radial Jumper Wire With OS Crimp
 Drawing No. VED007
 Rev: C
 Revision Date: 01.02.06
 Approval: WHK

VESTAL

Vestal Electronic Devices, LLC
 635 Dickson Street
 Endicott, NY 13760
 Phone: 607-773-8461 ~ Fax: 607-772-8184
 Email: vedsales@vestalelectronics.com