

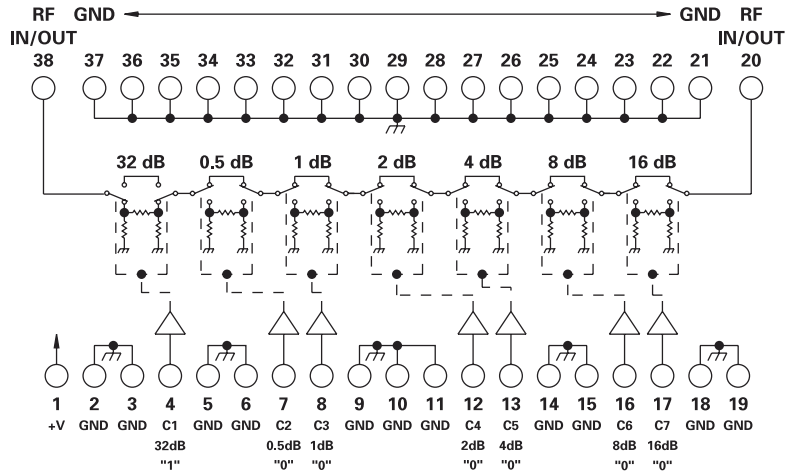
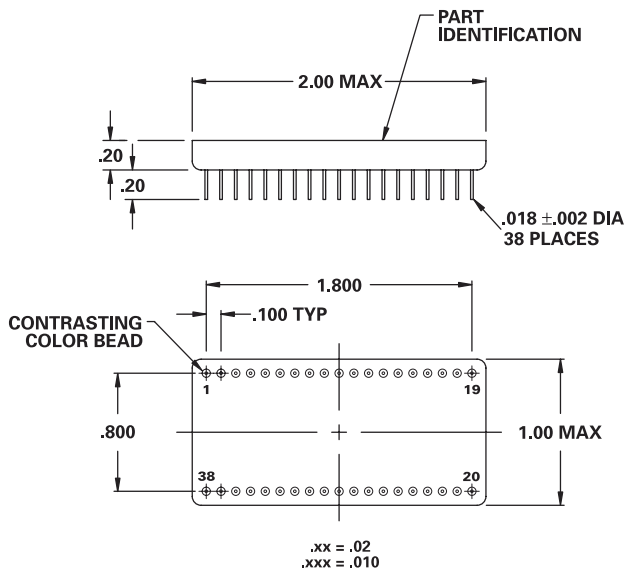
MODEL NUMBER DAT71987

PIN Diode 7 Section Attenuator

FEATURES

- 100-500 MHz
- 14 mA, +5 VDC
- 0.5 dB LSB, 63.5 dB Range
- 4.5 dB Insertion Loss
- CMOS Control
- Constant Phase

7 BIT



GUARANTEED PERFORMANCE

| Parameter | Min | Typ | Max | Units | Conditions |
|------------------------------|---------------------------------------|------------|------------|-----------------------|--|
| Operating Frequency | 100 | | 500 | MHz | |
| DC Current | | 12 | 30 | mA | At +5 VDC Supply |
| Control Type | | TTL | | | 7 Line Logic "0" = Thru Logic "1" = Attenuation |
| Control Current | High Low | | ±10 ±10 | µA | V _{IH} = +4.5 V V _{IL} = +0.5 V |
| Insertion Loss | | 4.2 | 6.0 | dB | |
| Attenuation | LSB Range Accuracy Vs. Phase | 0.5 | | dB dB dB DEG | 0.5, 1, 2, 4, 8, 16, 32 ± (0.25 dB + 2% of Atten. Setting in dB) |
| VSWR | | 1.2/1 | 1.6/1 | | |
| Impedance | | 50 | | OHMS | |
| Switching Speed | | 4 | 10 | µSec | 50% TTL to 90% / 10% RF |
| Transition (Rise/Fall) Time | | 1.5 | | µSec | 90% / 10% or 10% / 90% RF |
| Switching (Video) Transients | | 500 | | mV | Peak Value |
| Intercept Points | 2nd 3rd | +80 +38 | | dBm dBm | 300 / 200 MHz 150 / 200 MHz |
| RF Power | Operate No Damage | +12 | +10 +20 | dBm dBm | 0.1 dB Compression |
| Operating Temperature | | -55 | +25 | +125 | °C TA |

