

ELECTRICAL SPECIFICATIONS:

- |                               |                                    |                             |
|-------------------------------|------------------------------------|-----------------------------|
| 1.0 TURNS RATIO:              | $(P6-P8-P3) : (J6-J3)$             | : 1CT : 1 +/--3%            |
|                               | $(P2-P7-P1) : (J2-J1)$             | : 1CT : 1.4 +/--3%          |
| 2.0 INDUCTANCE:               | $(P6-P3)$                          | : 200uH MIN. @ 0.01V, 10KHz |
|                               | $(P2-P1)$                          | : 100uH MIN. @ 0.01V, 10KHz |
| 3.0 LEAKAGE INDUCTANCE:       | $P6-P3$ (WITH $J6$ AND $J3$ SHORT) | : 0.3uH MAX. @ 1MHz         |
|                               | $P2-P1$ (WITH $J2$ AND $J1$ SHORT) | : 0.3uH MAX. @ 1MHz         |
| 4.0 INTERWINDING CAPACITANCE: | $(P6,P3)$ TO $(J6,J3)$             | : 10pf MAX @ 1MHz           |
|                               | $(P2,P1)$ TO $(J2,J1)$             | : 10pf MAX. @ 1MHz          |
| 5.0 DC RESISTANCE:            | $(J6-J3)=(J2-J1)$                  | : 1.0 ohms Max.             |
|                               | $(P6-P8)=(P8-P3)$                  | : 0.3 ohms Max.             |
|                               | $(P2-P7)=(P7-P1)$                  | : 0.3 ohms Max.             |
| 6.0 DIELECTRIC WITHSTAND:     | $(P6,P3)$ TO $(J6,J3)$             | : 1500VAC                   |
|                               | $(P2,P1)$ TO $(J2,J1)$             | : 1500VAC                   |

NOTES

- 1.0 PINS WITHOUT ELECTRICAL CONNECTION ARE OMITTED.

Bel Stewart Connector  
 11118 Susquehanna Trail, South  
 Glen Rock, Pa 17327-9199  
 717.234.7512

**MagJack**

<http://www.stewartconnector.com>

THIS DRAWING AND THE SUBJECT MATTER SHOWN THEREON ARE CONFIDENTIAL AND PROPERTY OF BEL STEWART CONNECTOR AND SHALL NOT BE REPRODUCED, COPIED, OR USED IN ANY MANNER WITHOUT PRIOR WRITTEN CONTENT OF BEL STEWART CONNECTOR. THE SUBJECT MATTER MAY BE PATENTED OR A PATENT MAY BE PENDING.

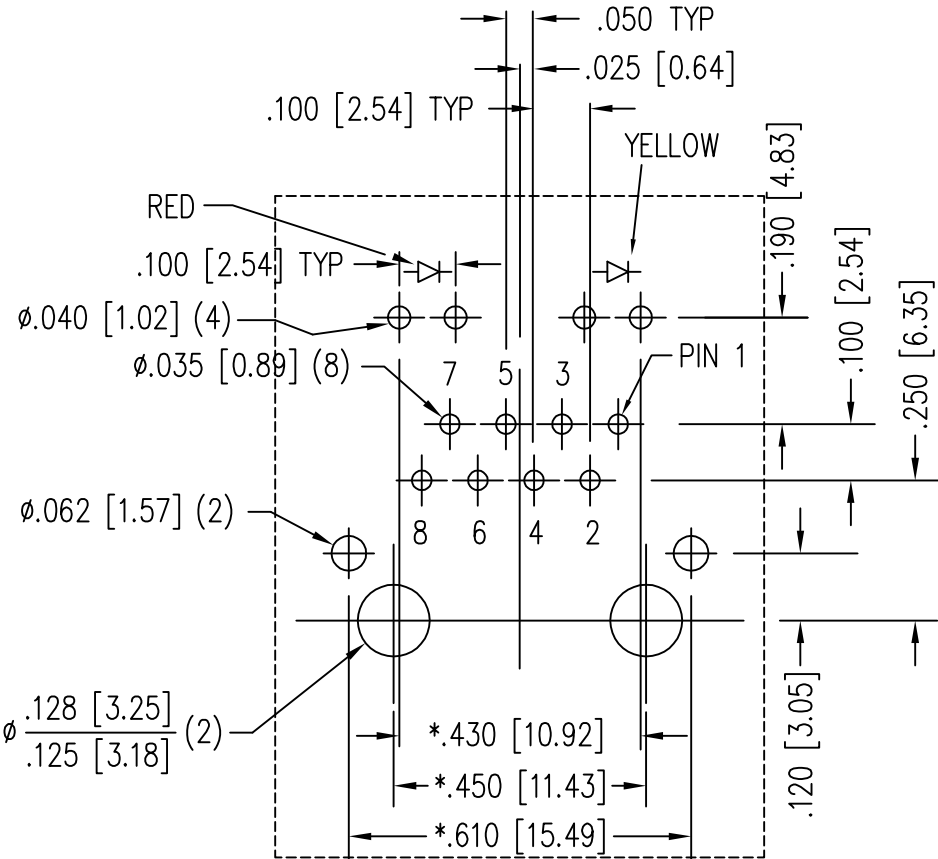
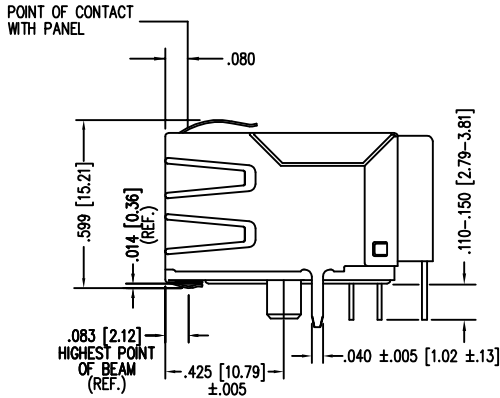
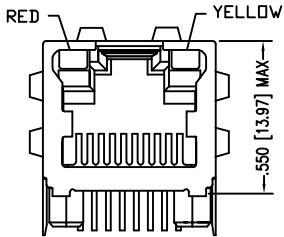
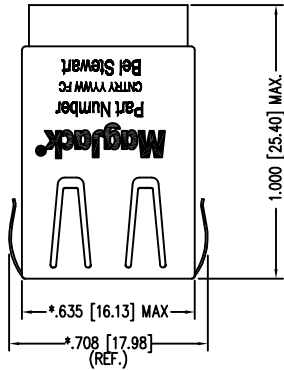
SHEET  
1 OF 3

DRAWING NO.

SI-50133 REV. 01

STANDARD LED	WAVELENGTH	* Forward V (MAX)	(TYP)
RED	635 nm	2.5 V	2.1 V
YELLOW	590 nm	2.5 V	2.1 V

\* WITH A FORWARD CURRENT OF 20 mA



P.C.B. RECOMMENDED HOLE LAYOUT  
SEEN FROM COMPONENT SIDE  
TOLERANCE  $\pm 0.003$  [0.08] UNLESS OTHERWISE SPECIFIED

- NOTES:
- TOLERANCES COMPLY WITH F.C.C. DIMENSION REQUIREMENTS
  - DIMENSIONS SHOWN WITH "\*" TO BE CENTRAL ABOUT CENTER LINE
  - DIMENSIONS SHOWN ARE SUBJECT TO CHANGE WITHOUT NOTICE.
  - PIN NOT ELECTRICALLY CONNECTED MAYBE OMITTED. SEE ELECTRICAL DRAWING FOR OMITTED PINS.
  - 50 MICRO-INCH SELECTIVE GOLD PLATING

CT750006

Bel Stewart Connector  
11118 Susquehanna Trail, South  
Glen Rock, Pa 17327-9199  
717.234.7512

**MagJack**

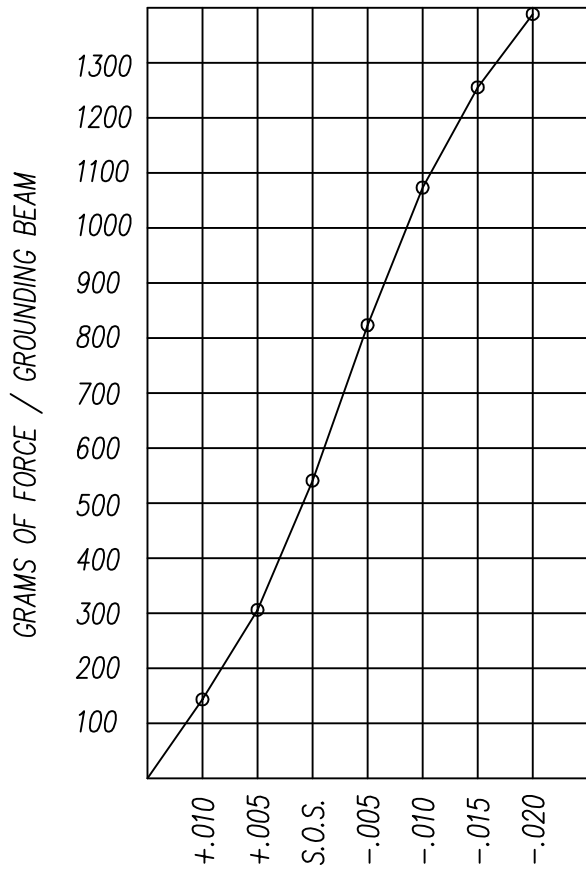
<http://www.stewartconnector.com>

THIS DRAWING AND THE SUBJECT MATTER SHOWN THEREON ARE CONFIDENTIAL AND PROPERTY OF BEL STEWART CONNECTOR AND SHALL NOT BE REPRODUCED, COPIED, OR USED IN ANY MANNER WITHOUT PRIOR WRITTEN CONTENT OF BEL STEWART CONNECTOR. THE SUBJECT MATTER MAY BE PATENTED OR A PATENT MAY BE PENDING.

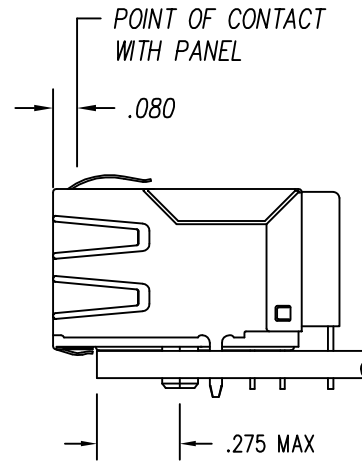
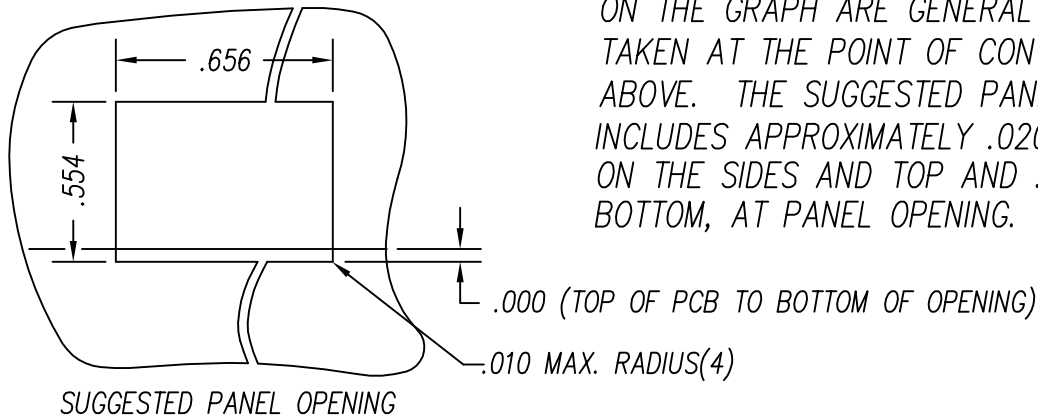
SHEET  
2 OF 3

DRAWING NO.

SI-50133 REV. 01



PANEL GROUNDING BEAM DEFLECTION  
S.O.S. = SUGGESTED OPENING SIZE



THE SUGGESTED PANEL OPENING IS INTENDED TO GIVE THE USER THE ABILITY TO HAVE REASONABLE JACK / PANEL CLEARANCES YET MAINTAIN RELIABLE GROUNDING CAPABILITY. THESE VARIABLES CAN BE ADJUSTED IN EITHER DIRECTION BUT MAY CARRY SOME CONSEQUENCES IN THE FORM OF LOWER MATING FORCES OR TIGHTER ASSEMBLY TOLERANCES. FORCE VALUES ON THE GRAPH ARE GENERAL AVERAGES TAKEN AT THE POINT OF CONTACT SHOWN ABOVE. THE SUGGESTED PANEL OPENING INCLUDES APPROXIMATELY .020 CLEARANCE ON THE SIDES AND TOP AND .013 ON THE BOTTOM, AT PANEL OPENING.

CT720034X1/24-001302

Bel Stewart Connector  
11118 Susquehanna Trail, South  
Glen Rock, Pa 17327-9199  
717.234.7512

**MagJack**

<http://www.stewartconnector.com>

THIS DRAWING AND THE SUBJECT MATTER SHOWN THEREON ARE CONFIDENTIAL AND PROPERTY OF BEL STEWART CONNECTOR AND SHALL NOT BE REPRODUCED, COPIED, OR USED IN ANY MANNER WITHOUT PRIOR WRITTEN CONTENT OF BEL STEWART CONNECTOR. THE SUBJECT MATTER MAY BE PATENTED OR A PATENT MAY BE PENDING.

SHEET  
3 OF 3

DRAWING NO. SI-50133 REV. 01