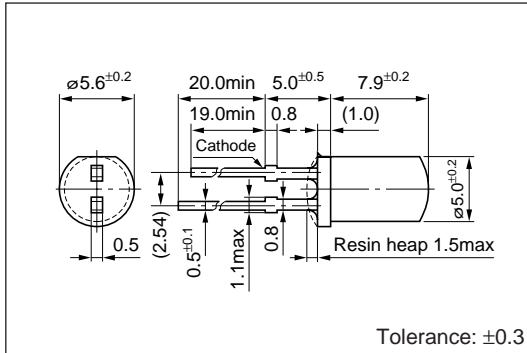


5 ϕ Cylindrical LED

SEL1011 Series

External Dimensions (Unit: mm)



Absolute maximum ratings (Ta=25°C)

Symbol	Unit	Rating	Condition
I_F	mA	30	
ΔI_F	mA/°C	-0.45	Above 25°C
I_{FP}	mA	100	f=1kHz, $t_w \leq 100\mu s$
V_R	V	3	
Top	°C	-30 to +85	
Tstg	°C	-30 to +100	

Electrical Optical characteristics (Ta=25°C)

Emitting color	Part Number	Lens color	Forward voltage			Reverse current			Intensity		Peak wavelength		Spectrum half width		Chip material
			V_F (V)		Condition	I_R (μA)	Condition	V_R (V)	I_v (mcd)	Condition	λ_P (nm)	Condition	$\Delta\lambda$ (nm)	Condition	
			typ	max	I_F (mA)	max		typ	I_F (mA)	typ	I_F (mA)	typ	I_F (mA)		
Deep red	SEL1111R	Diffused red	2.0	2.5	10	50	3	1.4	10	700	10	100	10	GaP	
Red	SEL1211R	Diffused red	1.9	2.5	10	50	3	12	20	630	10	35	10	GaAsP	
Amber	SEL1811D	Diffused orange	1.9	2.5	10	50	3	8.0	10	610	10	35	10		
Orange	SEL1911D	Diffused orange	1.9	2.5	10	50	3	8.0	10	587	10	33	10		
Yellow	SEL1711Y	Diffused yellow	2.0	2.5	10	50	3	13	10	570	10	30	10	GaP	
Green	SEL1411G	Diffused green	2.0	2.5	10	50	3	30	20	560	10	20	10		