

FEATURES

- 3.3V and 5V power supply options
- High bandwidth output transitions
- Internal 75KΩ pull-down resistors on inputs
- Functionally equivalent to SY100EL16V with variable output swing
- Improved output waveform characteristics
- Available in 8-pin SOIC and 8-pin (3mm) MSOP

DESCRIPTION

The SY100EL16VS are differential receivers with variable output swing. The devices are functionally equivalent to the EL16V devices with an input that control the amplitude of the outputs.

The operational range of the EL16VS control input is from VBB (max. swing) to VCC (min. swing). Simple control of the output swing can be obtained by a variable resistor between the VBB pin and VCC with the wiper driving VCTRL.

The EL16VS provides a VBB output for either single-ended use or as a DC bias for AC coupling to the device. The VBB pin should be used only as a bias for the EL16VS as its current sink/source capability is limited. Whenever used, the VBB pin should be bypassed to ground via a 0.01μF capacitor.

Under open input conditions (pulled to VEE), internal input clamps will force the Q output LOW.

PIN NAMES

Pin	Function
D	Data Inputs
Q	Data Outputs
VBB	Reference Voltage Output
VCTRL	Output Swing Control

TYPICAL VOLTAGE OUTPUT SWING

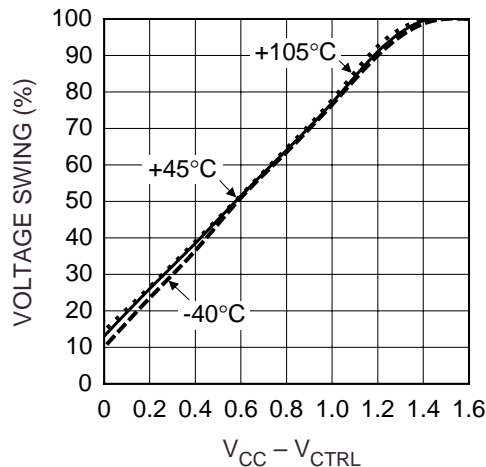
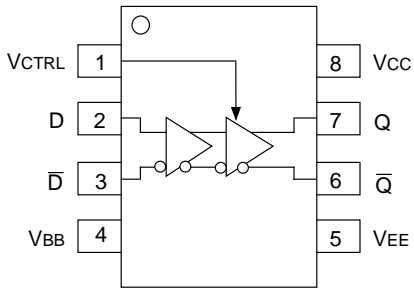


Figure 1. Typical Voltage Output Swing
Vcc = 3.3V or 5V

PACKAGE/ORDERING INFORMATION



8-Pin SOIC and 8-PinMSOP

Ordering Information⁽¹⁾

Part Number	Package Type	Operating Range	Package Marking	Lead Finish
SY100EL16VSKC	K8-1	Commercial	XLEL16VS	Sn-Pb
SY100EL16VSKCTR ⁽²⁾	K8-1	Commercial	XLEL16VS	Sn-Pb
SY100EL16VSKC	Z8-1	Commercial	XEL16VS	Sn-Pb
SY100EL16VSKCTR ⁽²⁾	Z8-1	Commercial	XEL16VS	Sn-Pb
SY100EL16VSKI	K8-1	Industrial	XLEL16VS	Sn-Pb
SY100EL16VSKITR ⁽²⁾	K8-1	Industrial	XLEL16VS	Sn-Pb
SY100EL16VSKI	Z8-1	Industrial	XEL16VS	Sn-Pb
SY100EL16VSKITR ⁽²⁾	Z8-1	Industrial	XEL16VS	Sn-Pb
SY100EL16VSKG ⁽³⁾	K8-1	Industrial	XLEL16VS with Pb-Free bar-line indicator	Pb-Free NiPdAu
SY100EL16VSKGTR ^(2, 3)	K8-1	Industrial	XLEL16VS with Pb-Free bar-line indicator	Pb-Free NiPdAu
SY100EL16VSKG ⁽³⁾	Z8-1	Industrial	XEL16VS with Pb-Free bar-line indicator	Pb-Free NiPdAu
SY100EL16VSKGTR ^(2, 3)	Z8-1	Industrial	XEL16VS with Pb-Free bar-line indicator	Pb-Free NiPdAu

Notes:

1. Contact factory for die availability. Dice are guaranteed at T_A = 25°C, DC Electricals only.
2. Tape and Reel.
3. Pb-Free package is recommended for new designs.

DC ELECTRICAL CHARACTERISTICS⁽¹⁾V_{EE} = V_{EE} (Min.) to V_{EE} (Max.); V_{CC} = GND

Symbol	Parameter	T _A = -40°C			T _A = 0°C			T _A = +25°C			T _A = +85°C			Unit
		Min.	Typ.	Max.	Min.	Typ.	Max.	Min.	Typ.	Max.	Min.	Typ.	Max.	
I _{EE}	Power Supply Current	—	18	22	9	18	22	9	18	22	9	21	26	mA
V _{BB}	Output Reference Voltage	-1.38	—	-1.26	-1.38	—	-1.26	-1.38	—	-1.26	-1.38	—	-1.26	V
I _{IH}	Input HIGH Current	—	—	150	—	—	150	—	—	150	—	—	150	μA
	-D, \bar{D} -V _{CTRL}	—	—	40	—	—	40	—	—	40	—	—	40	
V _{OL}	Output LOW Voltage ⁽²⁾ V _{CTRL} = V _{BB}	-1890	—	-1620	-1870	—	-1680	-1870	-1775	-1680	-1870	—	-1680	mV
V _{OL}	Output LOW Voltage ⁽²⁾ V _{CTRL} = V _{CC}	-1180	—	-975	-1135	—	-990	-1135	-1065	-990	-1135	—	-990	mV
V _{OH}	Output HIGH Voltage ⁽³⁾	-1085	—	-880	-1025	—	-880	-1025	-955	-880	-1025	—	-880	mV

NOTES:

1. Parametric values specified at: 100EL16VS Series: -3.0V to -5.5V.
2. If V_{CTRL} is an open circuit, use the V_{OH} (max. & min.) and V_{OL} (V_{CTRL} = V_{BB}: max only) limits.
3. V_{CC} ≤ V_{CTRL} ≤ V_{EE}.

AC ELECTRICAL CHARACTERISTICS⁽¹⁾V_{EE} = V_{EE} (Min.) to V_{EE} (Max.); V_{CC} = GND

Symbol	Parameter	T _A = -40°C			T _A = 0°C			T _A = +25°C			T _A = +85°C			Unit
		Min.	Typ.	Max.	Min.	Typ.	Max.	Min.	Typ.	Max.	Min.	Typ.	Max.	
t _{PLH}	Propagation Delay to Output	175	—	325	175	—	325	175	—	325	205	—	355	ps
t _{PHL}	D (Diff) D (SE)	125	250	425	125	250	375	125	250	375	155	280	405	
t _{skew}	Duty Cycle Skew ⁽²⁾ (Diff)	—	5	—	—	5	20	—	5	20	—	5	20	ps
V _{PP}	Minimum Input Swing ⁽³⁾	150	—	—	150	—	—	150	—	—	150	—	—	mV
V _{CMR}	Common Mode Range ⁽⁴⁾	-1.3	—	-0.4	-1.4	—	-0.4	-1.4	—	-0.4	-1.4	—	-0.4	V
t _r t _f	Output Rise/Fall Times Q (20% to 80%)	—	160	260	—	160	260	—	160	260	—	160	260	ps

NOTES:

1. Parametric values specified at: 100EL16VS Series: -3.0V to -5.5V.
2. Duty cycle skew is the difference between a t_{PLH} and t_{PHL} propagation delay through a device.
3. Minimum input swing for which AC parameters are guaranteed. The device has a DC gain of ≈40 when output has a full swing.
4. The CMR range is referenced to the most positive side of the differential input signal. Normal operation is obtained if the HIGH level falls within the specified range and the peak-to-peak voltage lies between V_{PP} min. and 1V. The lower end of the CMR range varies 1:1 with V_{EE}. The numbers in the spec table assume a nominal V_{EE} = -3.3V. Note for PECL operation, the V_{CMR} (min) will be fixed at 3.3V - |V_{CMR} (min)|.

APPLICATION IMPLEMENTATION

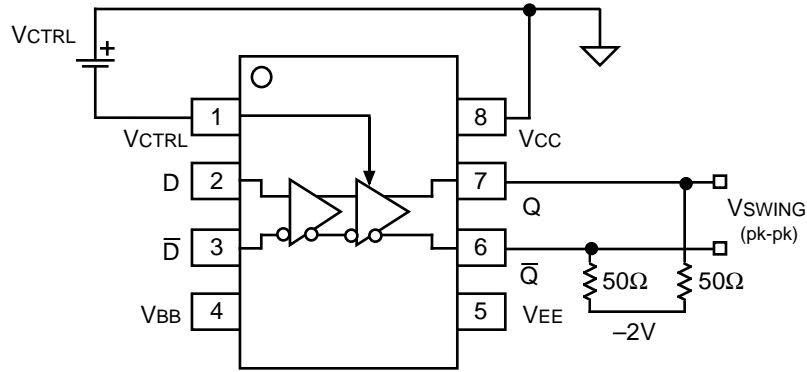


Figure 2. Voltage Source Implementation

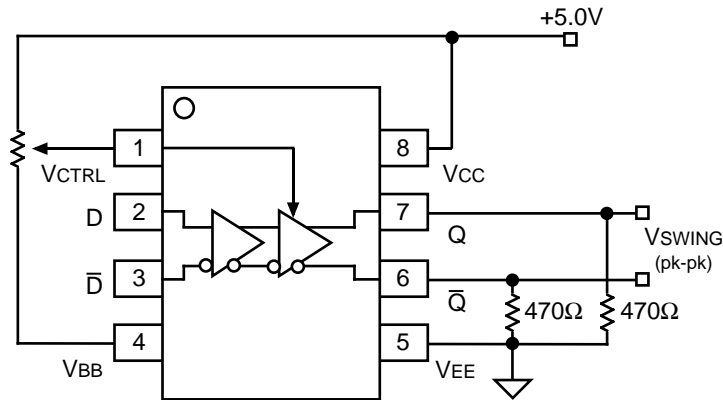
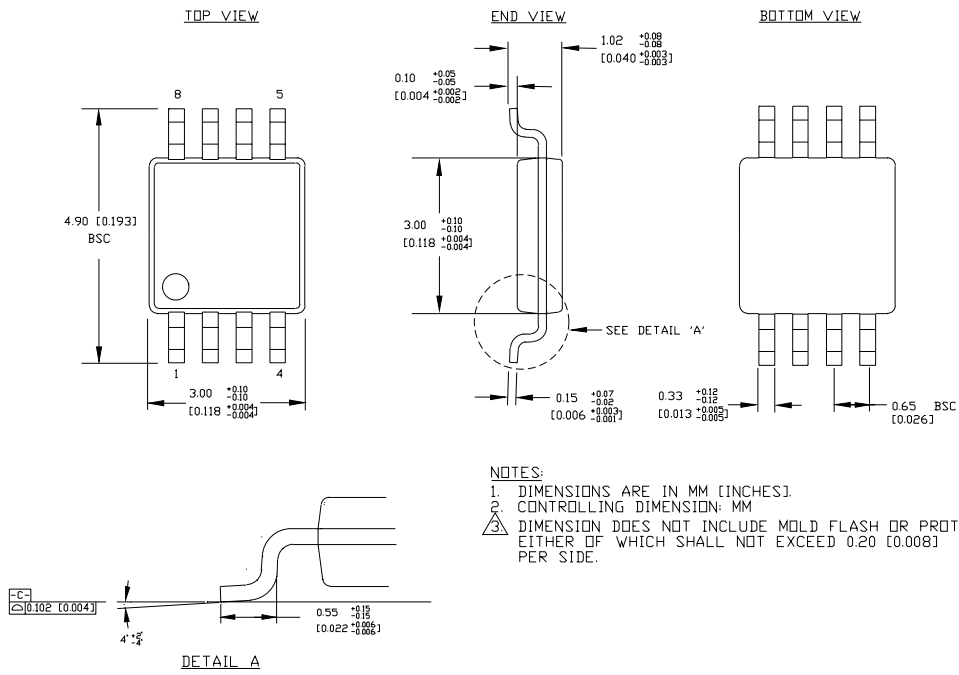
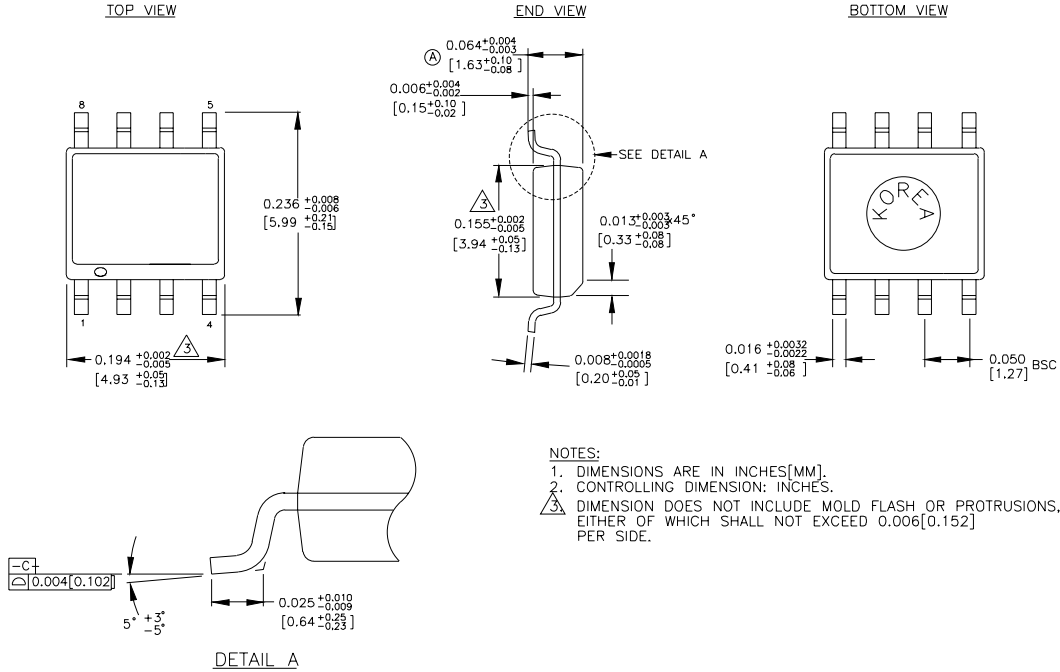


Figure 3. Alternative Implementation

8-PIN MSOP (K8-1)



8-PIN SOIC .150" WIDE (Z8-1)



Rev. 03

MICREL, INC. 2180 FORTUNE DRIVE SAN JOSE, CA 95131 USA

TEL + 1 (408) 944-0800 FAX + 1 (408) 474-1000 WEB <http://www.micrel.com>

The information furnished by Micrel in this datasheet is believed to be accurate and reliable. However, no responsibility is assumed by Micrel for its use. Micrel reserves the right to change circuitry and specifications at any time without notification to the customer.

Micrel Products are not designed or authorized for use as components in life support appliances, devices or systems where malfunction of a product can reasonably be expected to result in personal injury. Life support devices or systems are devices or systems that (a) are intended for surgical implant into the body or (b) support or sustain life, and whose failure to perform can be reasonably expected to result in a significant injury to the user. A Purchaser's use or sale of Micrel Products for use in life support appliances, devices or systems is at Purchaser's own risk and Purchaser agrees to fully indemnify Micrel for any damages resulting from such use or sale.

© 2006 Micrel, Incorporated.