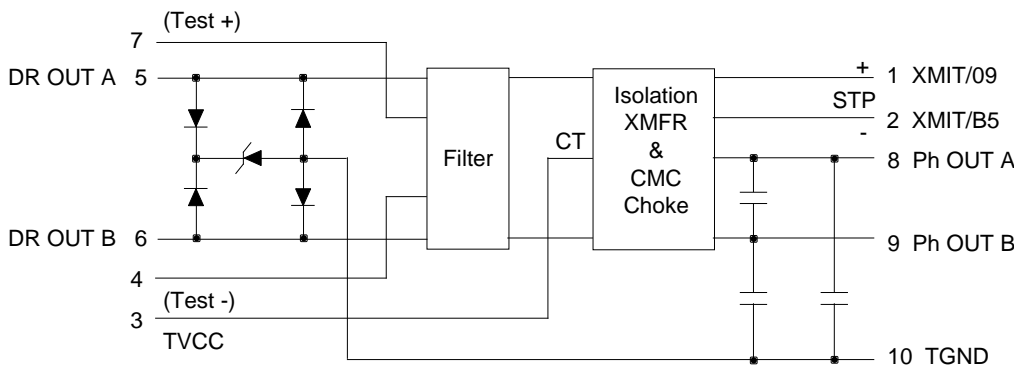
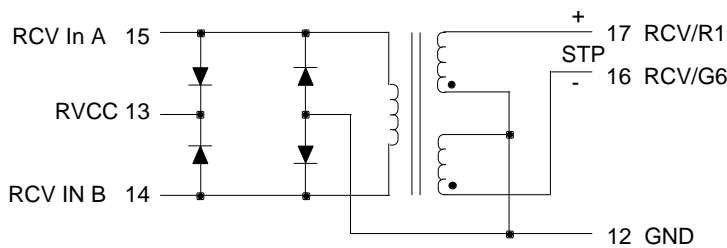


# 4/16 Mbps Token Ring Transmit and Receive Module

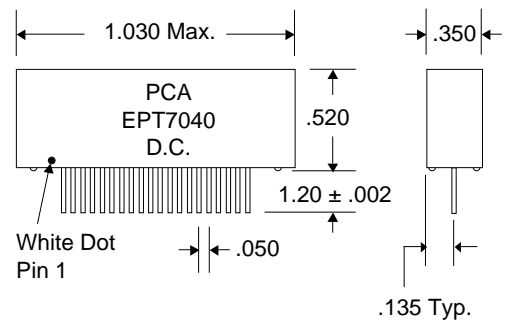
- Features
- Supports STP Transmission
  - Meets IEEE 802.5 Specifications
  - Overvoltage Protection Circuit

PCA Part Number(s)		EPT7040			
Electrical Specifications @ 25°C					
Parameter	Frequency	Specification	XMIT	RCV	Unit
<b>Cut-off Frequency</b>					MHz
<b>Insertion Loss</b>	1-16 MHz	-0.8			dB Max.
	32 MHz	-0.7			dB Min.
	44 MHz	-15.0			dB Min.
	48 MHz	-25.0			dB Min.
<b>Return Loss</b>	1-17 MHz	-14.0			dB Min.
	25 MHz	-8.0			dB Min.
<b>Common-Common Rej.</b>	1-64 MHz	30.0			dB Min.
<b>Impedance Ratio</b>	N/A	Input	600	150	
<b>Isolation</b>		500			Volts
<b>Notes :</b>					

## Schematic



## SIP Package



DST7040 Rev. A 9/21/95

QAF-CS07d 9/9/94

Unless Otherwise Noted  
Dimensions in Inches  
Tolerances: Fractional =  $\pm 1/32$   
.XX =  $\pm .030$  .XXX =  $\pm .010$



16799 SCHOENBORN ST.  
NORTH HILLS, CA 91343

TEL: (818) 892-0761  
FAX: (818) 894-5791  
WEB: <http://www.pcainc.com>