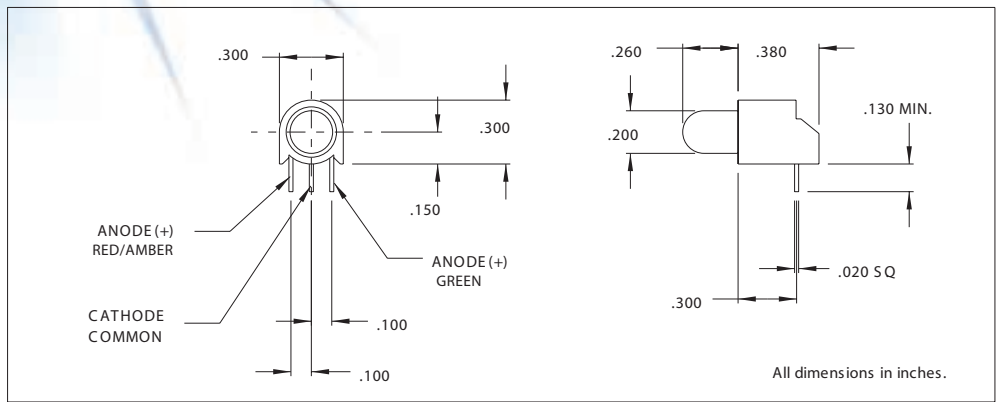


5305 Series T-1 3/4 Tricolor Right Angle LED Assembly
DESCRIPTION AND FEATURES



Features

- Block mounting, height and spacing alignment saves assembly cost and time.
- Super Brite LEDs-high intensity light output
- Press-in pin secures block to board for soldering.

- Press-in pin secures block to board for soldering.
- Standoffs prevent flux entrapment.

Housing: Black Nylon, UL94V-O

Alternate LEDs are also available in this package as a standard variation.

ELECTRO-OPTICAL CHARACTERISTICS AND RATINGS

Part Number	Color	Typ. Intensity (mcd)	Rated Current (mA)	Continuous Forward Current Max. (mA)	Forward Voltage Typ. (V)	Forward Voltage Max. (V)	Reverse Break-down Voltage Min. (V)	Peak Wavelength (nm)
5305H1/5	Red/Green	6.3/10	10	60	2.1	2.8	4	650(R)/565(G)
5305H3/5	Amber/Green	5.0/5.0	10	20	2.1	2.8	4	610(A)/565(G)