

# TOKEN RING MAGNETICS

## Filter Modules



LM00601

- Designed to meet IEEE 802.5 Token Ring standards, including low cut off frequency
- Rated to 225° C peak IR reflow temperature
- Operating temperature 0° to 70° C
- STP/UTP compatible impedances
- Integrated transformers and common mode chokes
- Support TI and Microlinear transceiver ICs
- Minimum interwinding breakdown voltage of 500 Vrms

### ELECTRICAL SPECIFICATIONS AT 25° C

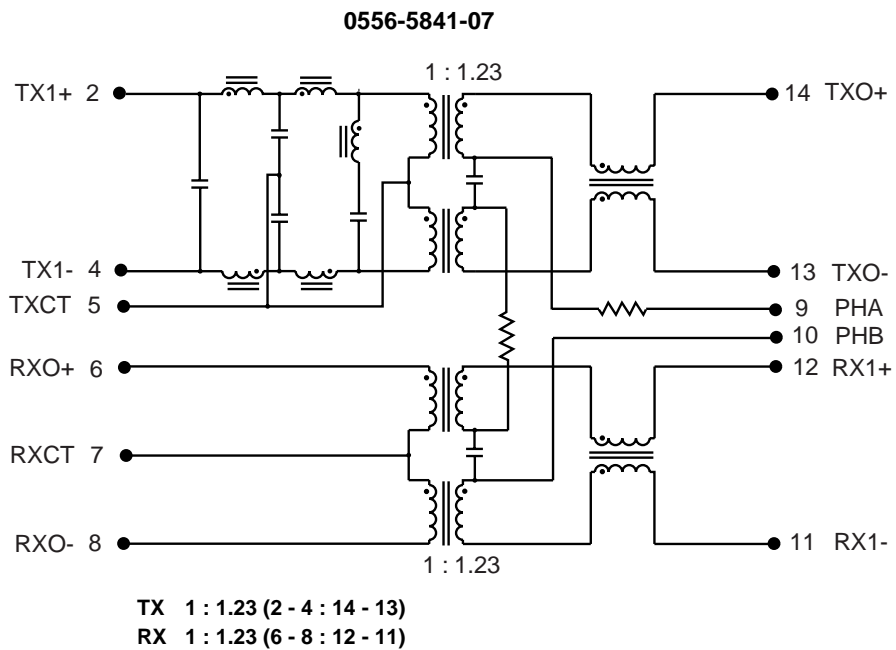
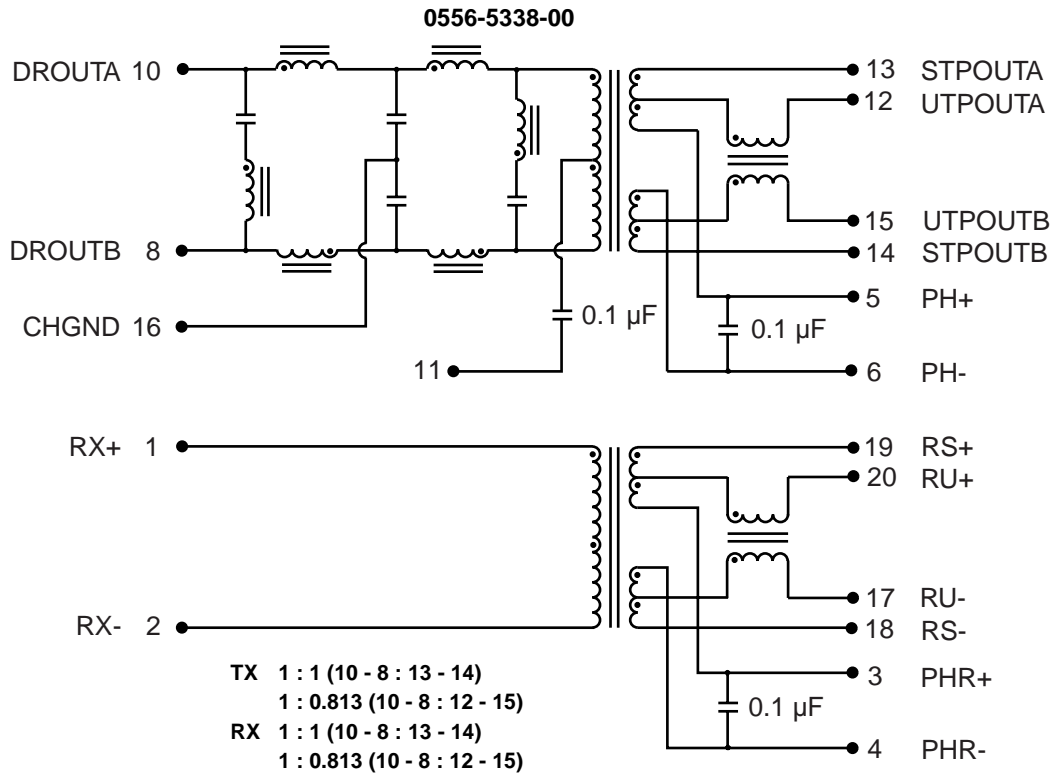
Part Number		Insertion Loss dB max			Return Loss dB min		Common to Common Mode Rejection dB min				Crosstalk dB min		
		8MHz	16MHz	24MHz	1MHz to 17MHz	17MHz to 24MHz	5MHz	20MHz	70MHz	200MHz	4MHz	16MHz	25MHz
0556-5338-00	TX	-0.6	-0.8	-1.9	-12	-20	-45	-30	-30	-20	-50	-40	-38
	RX	-0.5	-0.5	---	-8	-17							
0556-5841-07	TX	-0.6	-0.8	-1.9	-12	-20	-45	-30	-30	-20	-50	-40	-38
	RX	-0.5	-0.5	---	-8	-17							
S556-5999-51	TX	-0.6	-1.0	-1.8	-16	-17	-30	-30	-30	-20	-50	-50	-46
	RX	-1.0	-1.0	-1.0	-9	-17							
0556-5841-06	TX	-0.6	-0.8	-1.9	-12	-20	-45	-30	-30	-20	-50	-40	-38
	RX	-0.5	-0.5	---	-8	-17							
0556-5841-02	TX	-0.6	-0.8	-1.9	-12	-20	---	---	---	---	-50	-40	-38
	RX	-0.5	-0.5	---	-8	-17							

©2000 Bel Fuse Inc. Specifications subject to change without notice. 01.00

## TOKEN RING MAGNETICS Filter Modules

LM00601

### SCHEMATICS



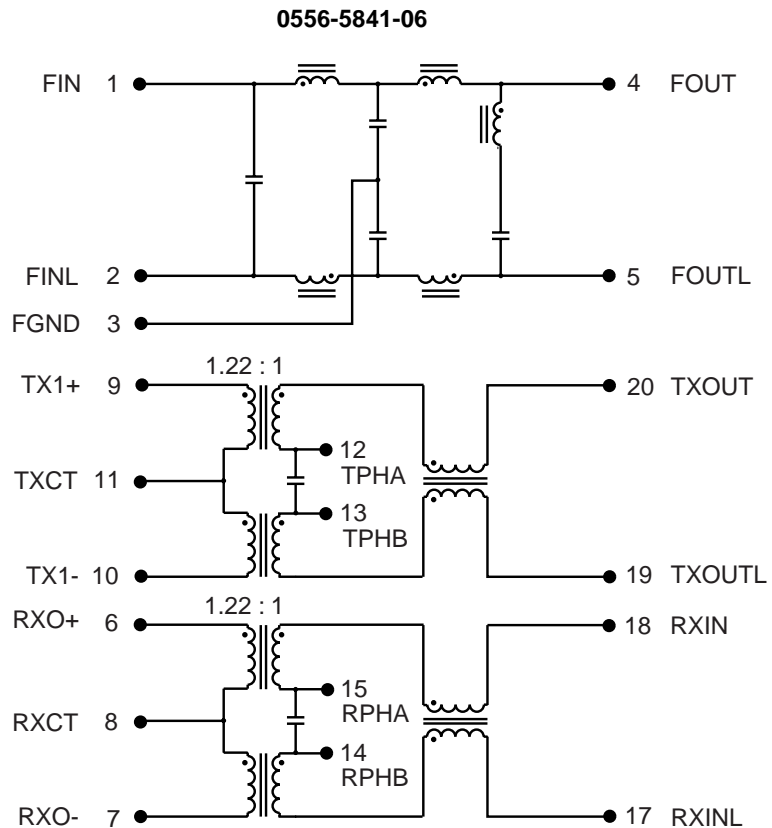
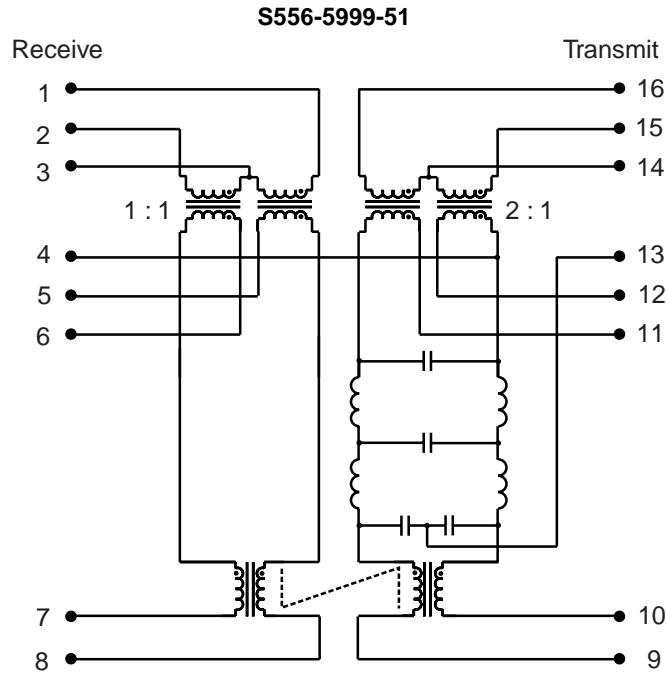
# TOKEN RING MAGNETICS

## Filter Modules



LM00601

### SCHEMATICS

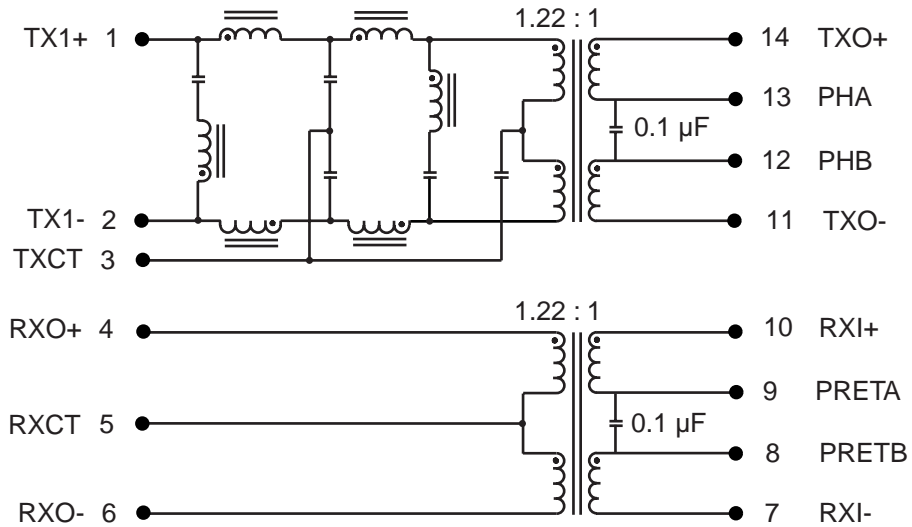


©2000 Bel Fuse Inc. Specifications subject to change without notice. 01.00

## TOKEN RING MAGNETICS Filter Modules

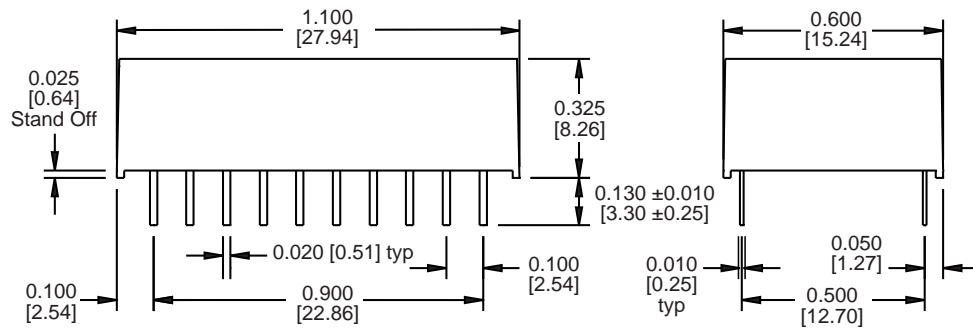
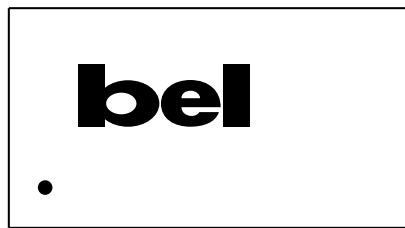
### SCHEMATICS

0556-5841-02



### MECHANICALS

0556-5338-00



Dimensions are in inches [millimeters].  
Standard dimension tolerance is  $\pm 0.005$  [0.13] unless otherwise noted.

# TOKEN RING MAGNETICS

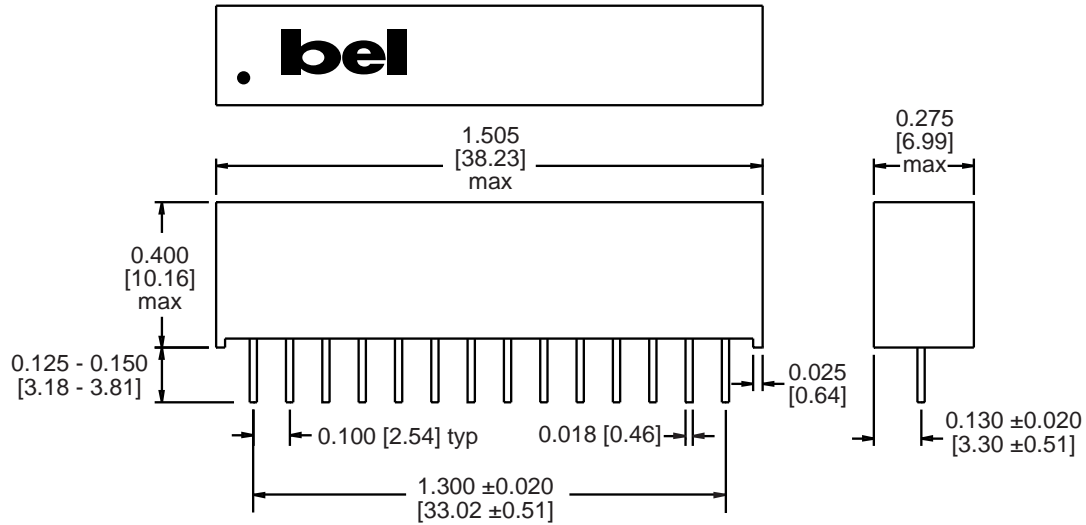
## Filter Modules



LM00601

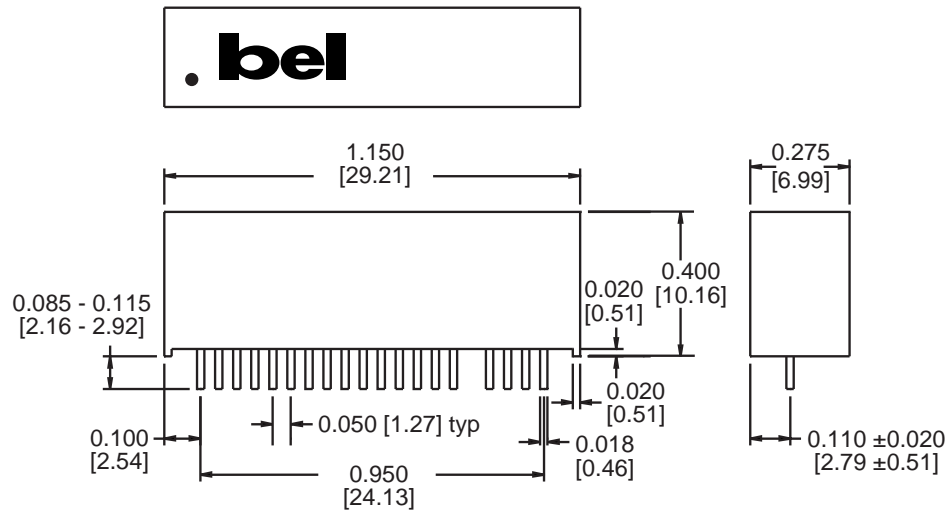
### MECHANICALS

0556-5841-02  
0556-5841-07



Dimensions are in inches [millimeters].  
Standard dimension tolerance is  $\pm 0.005$  [0.13] unless otherwise noted.

0556-5841-06

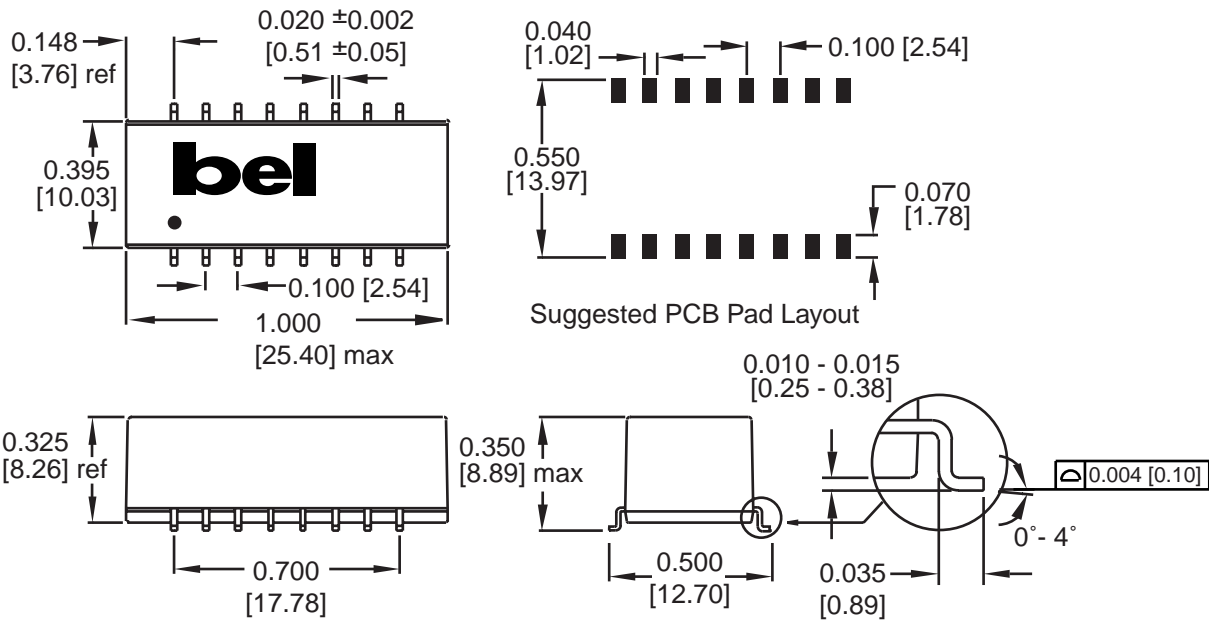


Dimensions are in inches [millimeters].  
Standard dimension tolerance is  $\pm 0.005$  [0.13] unless otherwise noted.

LM00601

### MECHANICALS

S556-5999-51



Dimensions are in inches [millimeters].  
Standard dimension tolerance is  $\pm 0.005$  [0.13] unless otherwise noted.

©2000 Bel Fuse Inc. Specifications subject to change without notice. 01.00

#### CORPORATE

**Bel Fuse Inc.**  
198 Van Vorst Street  
Jersey City, NJ 07302  
Tel 201-432-0463  
Fax 201-432-9542  
www.belfuse.com

#### FAR EAST

**Bel Fuse Ltd.**  
8F / 8 Luk Hop Street  
San Po Kong  
Kowloon, Hong Kong  
Tel 852-2328-5515  
Fax 852-2352-3706  
www.belfuse.com

#### EUROPE

**Bel Fuse Europe Ltd.**  
Preston Technology Management Centre  
Marsh Lane, Suite F23, Preston  
Lancashire, PR1 8UD, U.K.  
Tel 44-1772-556601  
Fax 44-1772-888366  
www.belfuse.com