

STRUCTURE                      Silicon Monolithic Integrated Circuit

PRODUCT NAME                TFT-LCD Bias Boost Converter Including Quad Buffers and VCOM

TYPE                              **B D 8 1 5 7 E F V**

FEATURES                      2.1V~4.0V Low Operating Voltage  
Built-in 0.2Ω Power FET included

● ABSOLUTE MAXIMUM RATINGS (Ta=25°C)

Parameter	Symbol	Rating	Unit
Supply Voltage	Vcc	7	V
Power Dissipation	Pd	1000*	mW
Operating Temperature Range	Topr	-40~+125	°C
Storage Temperature Range	Tstg	-55~+150	°C
SW Pin Current	Isw	1.5**	A
SW Pin Voltage	Vsw	15	V
VS Pin Voltage	VS	15	V
Junction Temperature	Tjmax	150	°C

\* Derating is done 8mW/°C for operating above Ta≥25°C (On 70.0mm×70.0mm×1.6mm board)

\*\* Pd should not be exceeded

● OPERATING CONDITIONS (Ta=-40°C~+125°C)

Parameter	Symbol	Limit			Unit
		Min	Typ	Max	
Supply Voltage	Vcc	2.1	2.5	4.0	V
SW Sink Current	ISW	—	—	1.4	A
SW Pin Voltage	VSW	—	—	14	V
VS Pin Voltage	VS	5	9	14	V

★This product is not designed for protection against radioactive rays.

★The product described in this specification is a strategic product(and/or Service) subject to COCOM regulations. It should not be exported without Authorization from the appropriate government.

Status of this document

The English version of this document is the formal specification.

A customer may use this translation version only for a reference to help reading the formal version.

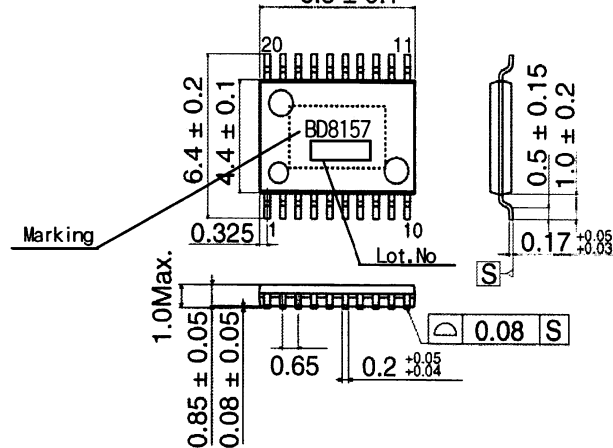
If there are any differences in translation version of this document, formal version takes priority.

● ELECTRICAL CHARACTERISTICS (Unless otherwise specified, Ta=25°C Vcc=2.5V, ENB=2.5V, VS=9V)

Parameter	Symbol	Limit			Unit	Condition
		Min	Typ	Max		
<b>[OSCILLATION BLOCK]</b>						
Oscillation Frequency 1	FOSC1	540	600	660	kHz	FCLK=0V
Oscillation Frequency 2	FOSC2	1.08	1.20	1.32	MHz	FCLK=Vcc
<b>[OVER CURRENT PROTECT BLOCK]</b>						
Switch Current Limit	ISW	—	2	—	A	
<b>[SOFT START BLOCK]</b>						
SS Source Current	ISO	6	10	14	μA	Vss=0.5V
SS Sink Current	ISi	0.2	0.3	0.4	mA	Vss=0.5V
<b>[UNDER VOLTAGE LOCK OUT BLOCK]</b>						
OFF Threshold Voltage	VUTOFF	1.7	1.8	1.9	V	
ON Threshold Voltage	VUTON	1.6	1.7	1.8	V	
<b>[ERROR AMPLIFIER BLOCK]</b>						
Input Bias Current	IB	—	0.1	0.5	μA	
Feed Back Voltage	VFB	1.232	1.245	1.258	V	Buffer
Voltage Gain	AV	—	200	—	V/V	
COMP Sink Current	IOI	20	45	70	μA	VFB=1.5V
COMP Source Current	IOO	20	45	70	μA	VFB=1.0V
<b>[SW BLOCK]</b>						
ON Resistance	RON	—	200	600	mΩ	※ Isw=1A
Leak Current	I <sub>LEAK</sub>	—	0	10	μA	VSW=15V
Maximum duty Cycle	D <sub>MAX</sub>	75	85	95	%	RL=100Ω
<b>[ENB BLOCK]</b>						
ENB ON Voltage	VON	Vcc×0.7	Vcc	—	V	
ENB OFF Voltage	VOFF	—	0	Vcc×0.3	V	
<b>[DEVICE]</b>						
Stand-by Current	ISTB	—	0	10	μA	VENB=0V
Average Supply Current	ICC	—	1.2	2.4	mA	no switching
<b>[BUFFER BLOCK]</b>						
Input Offset Voltage	V <sub>OSO</sub>	-20	0	20	mV	
Input Bias Current	I <sub>BO</sub>	-1	0	1	μA	IN+=4.5V
Drive Current 1	IOO1	50	70	140	mA	OUT1~OUT4
Drive Current 2	IOO2	120	200	400	mA	VCOM
Load Regulation	ΔV <sub>O</sub>	—	5	20	mV	I <sub>O</sub> = +1~-1mA
Slew Rate	S <sub>RO</sub>	—	6	—	V/μs	
Gain Band Width	GBW	—	6	—	MHz	※
Output Voltage High	V <sub>OHO</sub>	VS-0.16	VS-0.1	—	V	I <sub>O</sub> = -5mA, IN+=VS
Output Voltage Low	V <sub>OHL</sub>	—	0.1	0.16	V	I <sub>O</sub> = 5mA, IN+=0V

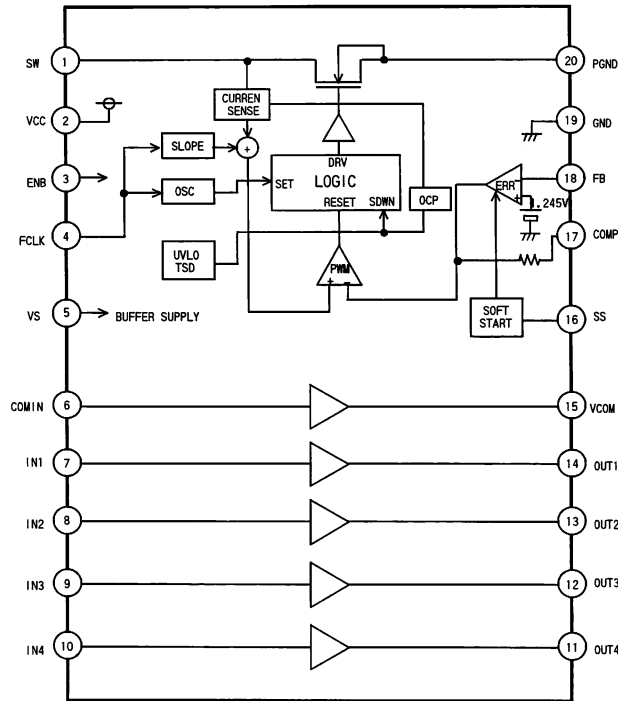
※ Design Guarantee (Outgoing inspection is not done all products.)

● PHYSICAL DIMENSION • MARKING (HTSSOP-B20) 6.5 ± 0.1



(Unit:mm)

●BLOCK DIAGRAM



\*Please refer to Technical note concerning application circuit, and etc.

●PIN NO. & FUNCTION TABLE

Pin No.	Pin Name	Function
1	SW	Nch FET Power Switch Drain Output
2	Vcc	Power Input
3	ENB	Chip Enable Input
4	FCLK	Frequency Change Input
5	VS	Buffer Power Supply Input
6	COMIN	VCOM Voltage Input
7	IN1	Gamma Voltage Input 1
8	IN2	Gamma Voltage Input 2
9	IN3	Gamma Voltage Input 3
10	IN4	Gamma Voltage Input 4
11	OUT4	Gamma Voltage Output 4
12	OUT3	Gamma Voltage Output 3
13	OUT2	Gamma Voltage Output 2
14	OUT1	Gamma Voltage Output 1
15	VCOM	VCOM Voltage Output
16	SS	Soft Start Current Output Pin
17	COMP	Error Amp Output
18	FB	Error Amp Input
19	GND	Ground
20	PGND	Power Ground

●Operation Notes

1. Absolute maximum range

This product are produced with strict quality control, but might be destroyed in using beyond absolute maximum ratings. Open IC destroyed a failure mode cannot be defined (like Short mode, or Open mode).

Therefore physical security countermeasure, like fuse, is to be given when a specified mode to be beyond absolute maximum ratings is considered.

2. Ground potential

GND terminal should be a lowest voltage potential every state.

Please make sure all pins which is over ground even if include transient feature.

3. Setting of heat

Use a setting of heat that allows for a sufficient margin in light of the power dissipation (Pd) in actual operating conditions..

4. Short Circuit between Terminal and Soldering

Don' t short-circuit between Output pin and V<sub>DD</sub> pin, Output pin and GND pin, or V<sub>DD</sub> pin and GND pin. When soldering the IC on circuit board, please be unusually cautious about the orientation and the position of the IC. When the orientation is mistaken the IC may be destroyed.

5. Electromagnetic Field

Mal-function may happen when the device is used in the strong electromagnetic field.

6. Ground wiring patterns

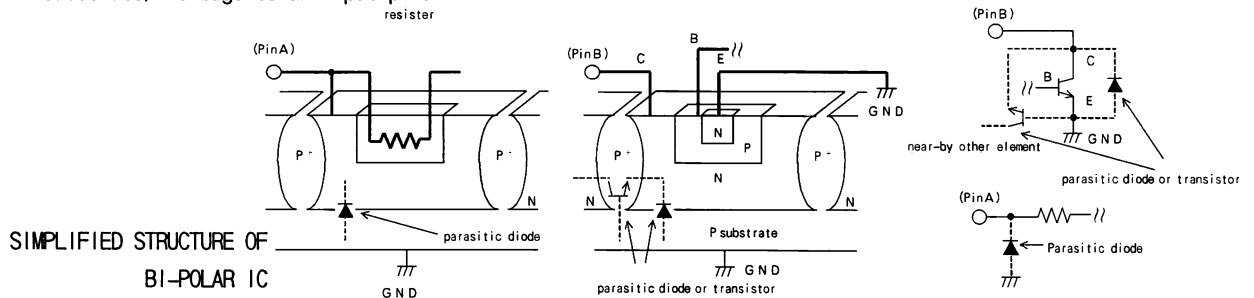
When using both small signal and large current GND patterns, it is recommended to isolate the two ground patterns, placing a single ground point at the application's reference point so that the pattern wiring resistance and voltage variations caused by large currents do not cause variations in the small signal ground voltage. Be careful not to change the GND wiring patterns of any external components.

7. This IC is a monolithic IC which has P+ isolation in the P substrate and between the various pins.

A P-N junction is formed from this P layer and the N layer of each pin.

For example, when a resistor and a transistor is connected to a pin.

Parasitic diodes can occur inevitably in the structure of the IC. The operation of parasitic diodes can result in mutual interference among circuits as well as operation faults and physical damage. Accordingly, you must not use methods by which parasitic diodes operate, such as applying a voltage that is lower than the GND (P substrate) voltage to an input pin.



8. Over current protection circuit

The over-current protection circuits are built in at output, according to their respective current outputs and prevent the IC from being damaged when the load is short-circuited or over-current. But, these protection circuits are effective for preventing destruction by unexpected accident. When it' s in continuous protection circuit moving period don' t use please. And for ability, because this chip has minus characteristic, be careful for heat plan.

9. Built-in thermal circuit

A temperature control circuit is built in the IC to prevent the damage due to overheat.

Therefore, all the outputs are turned off when the thermal circuit works and are turned on when the temperature goes down to the specified level.

10. Testing on application boards

When testing the IC on an application board, connecting a capacitor to a pin with low impedance subjects the IC to stress. Always discharge capacitors after each process or step. Ground the IC during assembly steps as an antistatic measure, and use similar caution when transporting or storing the IC. Always turn the IC's power supply off before connecting it to or removing it from a jig or fixture during the inspection process.

### Notes

- No technical content pages of this document may be reproduced in any form or transmitted by any means without prior permission of ROHM CO.,LTD.
- The contents described herein are subject to change without notice. The specifications for the product described in this document are for reference only. Upon actual use, therefore, please request that specifications to be separately delivered.
- Application circuit diagrams and circuit constants contained herein are shown as examples of standard use and operation. Please pay careful attention to the peripheral conditions when designing circuits and deciding upon circuit constants in the set.
- Any data, including, but not limited to application circuit diagrams information, described herein are intended only as illustrations of such devices and not as the specifications for such devices. ROHM CO.,LTD. disclaims any warranty that any use of such devices shall be free from infringement of any third party's intellectual property rights or other proprietary rights, and further, assumes no liability of whatsoever nature in the event of any such infringement, or arising from or connected with or related to the use of such devices.
- Upon the sale of any such devices, other than for buyer's right to use such devices itself, resell or otherwise dispose of the same, no express or implied right or license to practice or commercially exploit any intellectual property rights or other proprietary rights owned or controlled by
- ROHM CO., LTD. is granted to any such buyer.
- Products listed in this document are no antiradiation design.

The products listed in this document are designed to be used with ordinary electronic equipment or devices (such as audio visual equipment, office-automation equipment, communications devices, electrical appliances and electronic toys).

Should you intend to use these products with equipment or devices which require an extremely high level of reliability and the malfunction of which would directly endanger human life (such as medical instruments, transportation equipment, aerospace machinery, nuclear-reactor controllers, fuel controllers and other safety devices), please be sure to consult with our sales representative in advance.

#### About Export Control Order in Japan

Products described herein are the objects of controlled goods in Annex 1 (Item 16) of Export Trade Control Order in Japan.

In case of export from Japan, please confirm if it applies to "objective" criteria or an "informed" (by MITI clause) on the basis of "catch all controls for Non-Proliferation of Weapons of Mass Destruction.

Thank you for your accessing to ROHM product informations.  
More detail product informations and catalogs are available,  
please contact your nearest sales office.

Please contact our sales offices for details ;

U.S.A / San Diego	TEL : +1(858)625-3630	FAX : +1(858)625-3670
Atlanta	TEL : +1(770)754-5972	FAX : +1(770)754-0691
Dallas	TEL : +1(972)312-8818	FAX : +1(972)312-0330
Germany / Dusseldorf	TEL : +49(2154)9210	FAX : +49(2154)921400
United Kingdom / London	TEL : +44(1)908-282-666	FAX : +44(1)908-282-528
France / Paris	TEL : +33(0)1 56 97 30 60	FAX : +33(0) 1 56 97 30 80
China / Hong Kong	TEL : +852(2)740-6262	FAX : +852(2)375-8971
Shanghai	TEL : +86(21)6279-2727	FAX : +86(21)6247-2066
Dilian	TEL : +86(411)8230-8549	FAX : +86(411)8230-8537
Beijing	TEL : +86(10)8525-2483	FAX : +86(10)8525-2489
Taiwan / Taipei	TEL : +866(2)2500-6956	FAX : +866(2)2503-2869
Korea / Seoul	TEL : +82(2)8182-700	FAX : +82(2)8182-715
Singapore	TEL : +65-6332-2322	FAX : +65-6332-5662
Malaysia / Kuala Lumpur	TEL : +60(3)7958-8355	FAX : +60(3)7958-8377
Philippines / Manila	TEL : +63(2)807-6872	FAX : +63(2)809-1422
Thailand / Bangkok	TEL : +66(2)254-4890	FAX : +66(2)256-6334

Japan /  
(Internal Sales)

Tokyo	2-1-1, Yaesu, Chuo-ku, Tokyo 104-0082	TEL : +81(3)5203-0321	FAX : +81(3)5203-0300
Yokohama	2-4-8, Shin Yokohama, Kohoku-ku, Yokohama, Kanagawa 222-8575	TEL : +81(45)476-2131	FAX : +81(45)476-2128
Nagoya	Dainagayo Building 9F 3-28-12, Meieki, Nakamura-ku, Nagoya, Aichi 450-0002	TEL : +81(52)581-8521	FAX : +81(52)561-2173
Kyoto	579-32 Higashi Shiokouji-cho, Karasuma Nishi-iru, Shiokoujidori, Shimogyo-ku, Kyoto 600-8216	TEL : +81(75)311-2121	FAX : +81(75)314-6559

(Contact address for overseas customers in Japan)

Yokohama	TEL : +81(45)476-9270	FAX : +81(045)476-9271
----------	-----------------------	------------------------