



Obsolescence Notice

This product is obsolete.

This information is available for your convenience only.

For more information on Zarlink's obsolete products and replacement product lists, please visit http://products.zarlink.com/obsolete_products/

***THIS DOCUMENT IS FOR MAINTENANCE
PURPOSES ONLY AND IS NOT
RECOMMENDED FOR NEW DESIGNS***

SP8716/8/9

520MHz LOW CURRENT TWO-MODULUS DIVIDERS

SP8716 ÷ 40/41, SP8718 ÷ 64/65, SP8719 ÷ 80/81 are 50mW programmable dividers with a maximum specified operating frequency of 520MHz over the temperature range -40 °C to + 85 °C.

The signal (clock) inputs are biased internally and require to be capacitor coupled. The output stage is of an unusual low power design featuring dynamic pull-up, and optimised for driving CMOS. The 0 to 1 output edge should be used to give the best loop delay performance.

FEATURES

- DC to 520MHz Operation
- -40°C to +85°C Temperature Range
- Control Inputs and Outputs are CMOS Compatible

QUICK REFERENCE DATA

- Supply Voltage 5.0V ± 0.25V
- Supply Current 10.5mA typ.

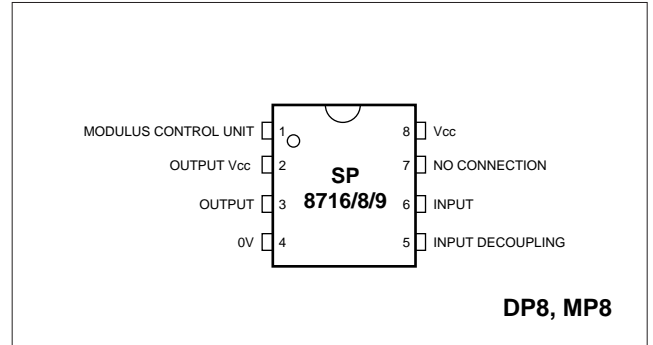


Figure : 1 Pin connections - top view

ABSOLUTE MAXIMUM RATINGS

Supply voltage pin 2 or 8):	8V
Storage temperature range:	-55°C to +150°C
Max. Junction temperature:	+175°C
Max. clock I/P voltage:	2.5V p-p

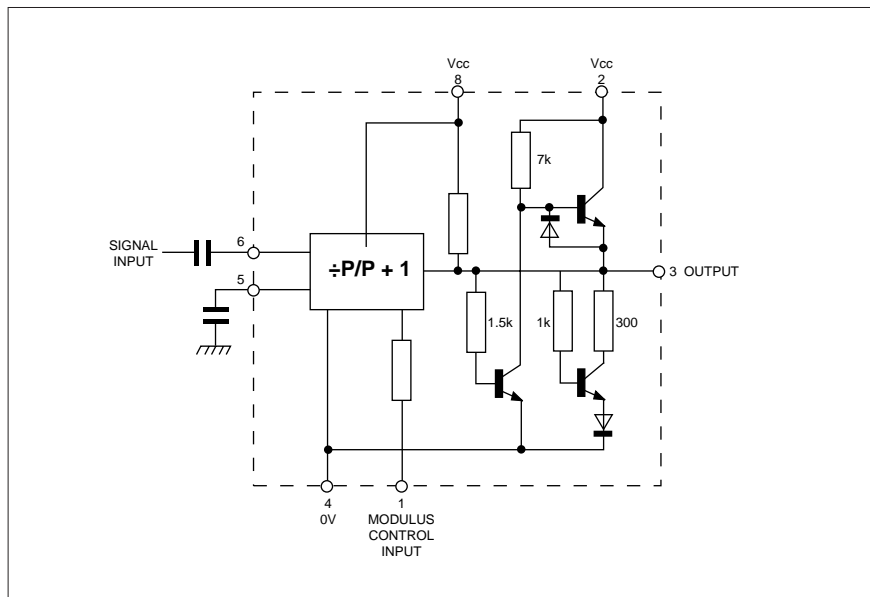


Figure 2 : Functional diagram

SP8716/8/9

ELECTRICAL CHARACTERISTICS

Test conditions (unless otherwise stated):]

Supply voltage: $V_{cc} = +4/95$ to $5.45V$, Temperature: $T_{amb} = -40^{\circ}C$ to $+85^{\circ}C$

Characteristics	Symbol	Value		Units	Conditions	Notes
		Min.	Max.			
Max. frequency	f_{max}	520		MHz	Input 100-280mV p-p	1
Min. frequency (sinewave input)	f_{min}		30	MHz	Input 400-800mV p-p	2
Power supply current	I_{CC}		11.9	mA	$C_L = 3pF$; pins 2, 8 linked	1
Output high voltage	V_{OH}	$(V_{cc} - 1.2)$		V	$I_L = -0.2mA$	1
Output low voltage	V_{OL}		1	V	$I_L = 0.2mA$	1
Control input high voltage	V_{INH}	3.3	8	V	$\div P$	1
Control input low voltage	V_{INL}	0	1.7	V	$\div P + 1$	1
Control input high current	V_{INH}		0.41	mA	$V_{INH} = 8V$	1
Control input low current	V_{INL}	-0.20		mA	$V_{INL} = 0V$	1
Clock to output delay	t_p		28	ns	$C_L = 10pF$	2
Set-up time	t_s	10		ns	$C_L = 10pF$	2
Release time	t_r	10		ns	$C_L = 10pF$	2

NOTES

1. Tested at $25^{\circ}C$ only
2. Guaranteed but not tested

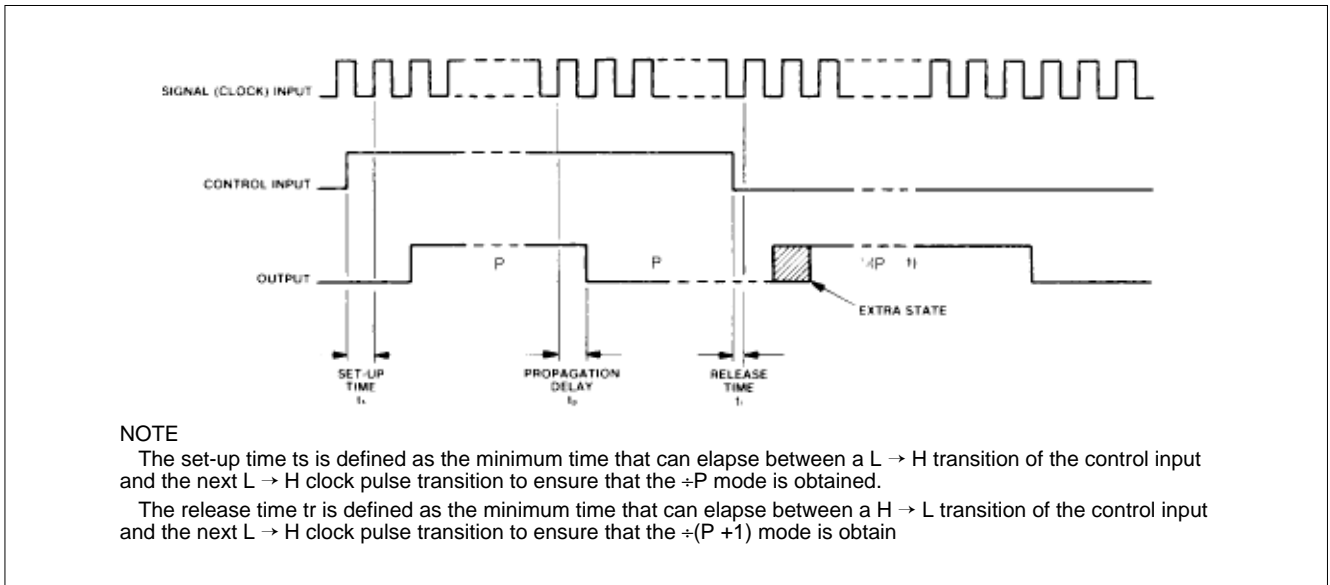


Figure 3 : Timing diagram

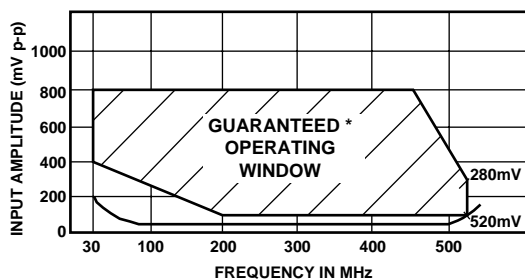


Figure 4 : Typical input characteristics

OPERATING NOTES

1. The inputs are biased internally and coupled to a signal source with suitable capacitors.
2. If no signal is present the devices will self-oscillate. If this is undesirable it may be prevented by connecting a 15k resistor from one input to pin 4 (ground). This will reduce the sensitivity.
3. The circuits will operate down to DC but slew rate must be better than 100V/us.
4. The output stage is of an unusual design and is intended to interface with CMOS. External pull-up resistors or circuits must not be used.
5. This device is NOT suitable for driving TTL or its derivatives.

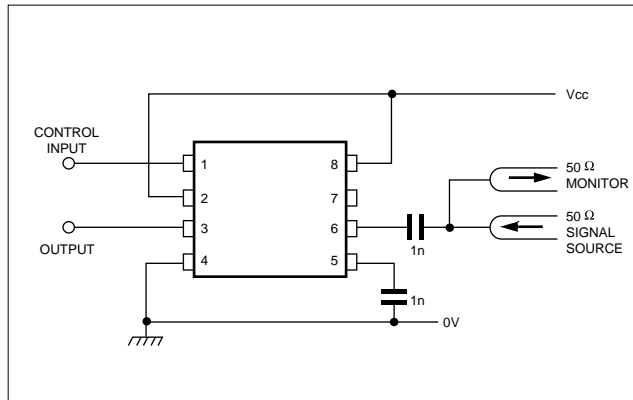


Figure 5: Toggle frequency test circuit

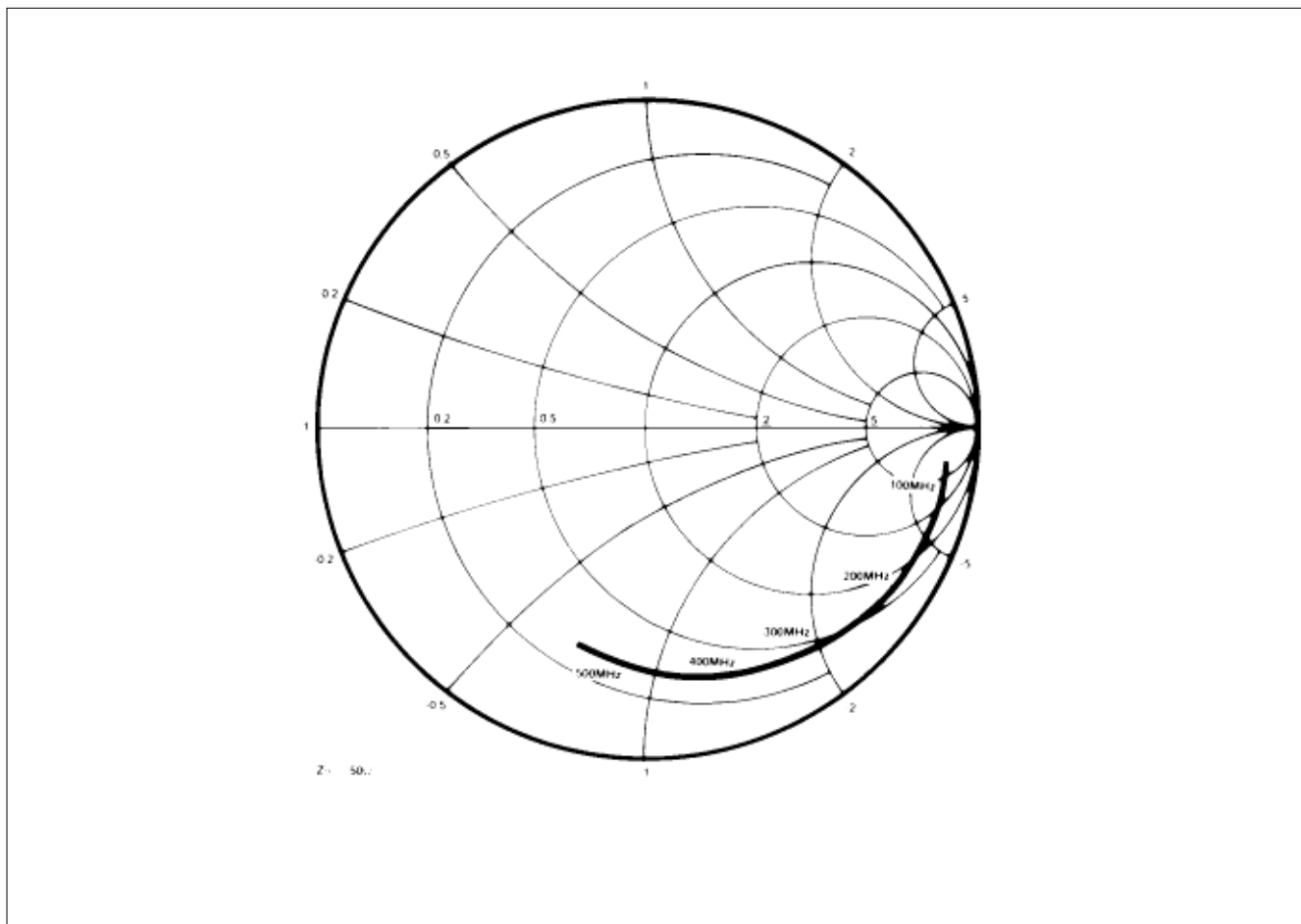


Figure 6 : Typical input impedance



**For more information about all Zarlink products
visit our Web Site at
www.zarlink.com**

Information relating to products and services furnished herein by Zarlink Semiconductor Inc. or its subsidiaries (collectively "Zarlink") is believed to be reliable. However, Zarlink assumes no liability for errors that may appear in this publication, or for liability otherwise arising from the application or use of any such information, product or service or for any infringement of patents or other intellectual property rights owned by third parties which may result from such application or use. Neither the supply of such information or purchase of product or service conveys any license, either express or implied, under patents or other intellectual property rights owned by Zarlink or licensed from third parties by Zarlink, whatsoever. Purchasers of products are also hereby notified that the use of product in certain ways or in combination with Zarlink, or non-Zarlink furnished goods or services may infringe patents or other intellectual property rights owned by Zarlink.

This publication is issued to provide information only and (unless agreed by Zarlink in writing) may not be used, applied or reproduced for any purpose nor form part of any order or contract nor to be regarded as a representation relating to the products or services concerned. The products, their specifications, services and other information appearing in this publication are subject to change by Zarlink without notice. No warranty or guarantee express or implied is made regarding the capability, performance or suitability of any product or service. Information concerning possible methods of use is provided as a guide only and does not constitute any guarantee that such methods of use will be satisfactory in a specific piece of equipment. It is the user's responsibility to fully determine the performance and suitability of any equipment using such information and to ensure that any publication or data used is up to date and has not been superseded. Manufacturing does not necessarily include testing of all functions or parameters. These products are not suitable for use in any medical products whose failure to perform may result in significant injury or death to the user. All products and materials are sold and services provided subject to Zarlink's conditions of sale which are available on request.

Purchase of Zarlink's I²C components conveys a licence under the Philips I²C Patent rights to use these components in and I²C System, provided that the system conforms to the I²C Standard Specification as defined by Philips.

Zarlink, ZL and the Zarlink Semiconductor logo are trademarks of Zarlink Semiconductor Inc.

Copyright Zarlink Semiconductor Inc. All Rights Reserved.

TECHNICAL DOCUMENTATION - NOT FOR RESALE
