

SEVEN SEGMENT NUMERIC DISPLAY

High efficiency green GaP/GaP
 0.8 inch Character Height
 High Contrast
 Wide Viewing Angle
 Common Anode - MG2801A
 Common Cathode - MG2801C

ABSOLUTE MAXIMUM RATINGS

Power Dissipation / Segment	90mW
Peak Forward Current / Segment	200mA
Continuous Forward Current / Segment	30mA
Reverse Voltage / Segment	5V
Operating Temperature Range	-20 to +85°C
Storage Temperature Range	-20 to +85°C

* Note : Pulse Width = 1mS, Duty Ratio = 1/10.

ELECTRO-OPTICAL CHARACTERISTICS (Ta=25°C) / segment

PARAMETER	SYMBOL	MIN	TYP	MAX	UNIT	CONDITIONS
Forward Voltage	VF		2.2	3.0	V	IF=20mA
Luminous Intensity	IV	2.2	4.0		mcd	IF=10mA
Segment to Segment Luminous Intensity Ratio				2:1		IF=10mA
Reverse Current	IR			100	μA	VR=5V
Peak Wavelength	λp		570		nm	IF=20mA
Spectral Line Half Width	Δλ		30		nm	IF=20mA

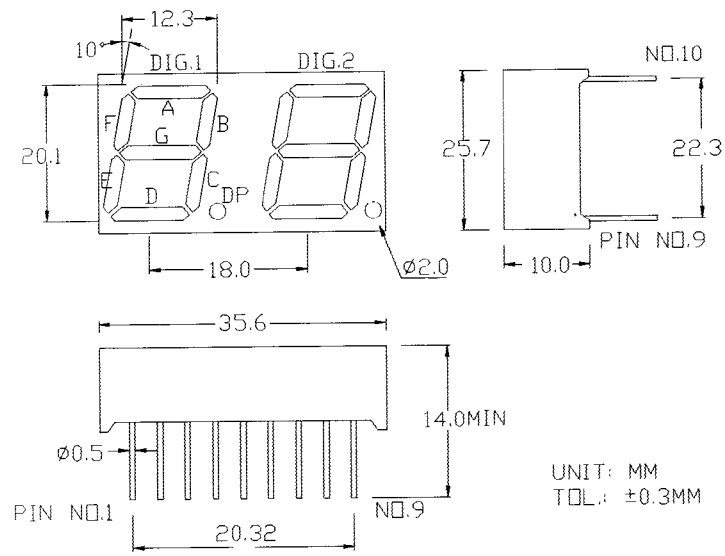


MICRO ELECTRONICS LTD.

38, Hung To Road, Microtron Building, Kwun Tong, Kowloon, Hong Kong.

Kwun Tong P.O. Box 69477 Hong Kong. Fax No. 2341 0321 Telex:43510 Micro Hx. Tel: 2343 0181-5

MECHANICAL OUTLINE:



CIRCUIT DIAGRAM:

