

To all our customers

Regarding the change of names mentioned in the document, such as Hitachi Electric and Hitachi XX, to Renesas Technology Corp.

The semiconductor operations of Mitsubishi Electric and Hitachi were transferred to Renesas Technology Corporation on April 1st 2003. These operations include microcomputer, logic, analog and discrete devices, and memory chips other than DRAMs (flash memory, SRAMs etc.) Accordingly, although Hitachi, Hitachi, Ltd., Hitachi Semiconductors, and other Hitachi brand names are mentioned in the document, these names have in fact all been changed to Renesas Technology Corp. Thank you for your understanding. Except for our corporate trademark, logo and corporate statement, no changes whatsoever have been made to the contents of the document, and these changes do not constitute any alteration to the contents of the document itself.

Renesas Technology Home Page: <http://www.renesas.com>

Renesas Technology Corp.
Customer Support Dept.
April 1, 2003

Cautions

Keep safety first in your circuit designs!

1. Renesas Technology Corporation puts the maximum effort into making semiconductor products better and more reliable, but there is always the possibility that trouble may occur with them. Trouble with semiconductors may lead to personal injury, fire or property damage.
Remember to give due consideration to safety when making your circuit designs, with appropriate measures such as (i) placement of substitutive, auxiliary circuits, (ii) use of nonflammable material or (iii) prevention against any malfunction or mishap.

Notes regarding these materials

1. These materials are intended as a reference to assist our customers in the selection of the Renesas Technology Corporation product best suited to the customer's application; they do not convey any license under any intellectual property rights, or any other rights, belonging to Renesas Technology Corporation or a third party.
2. Renesas Technology Corporation assumes no responsibility for any damage, or infringement of any third-party's rights, originating in the use of any product data, diagrams, charts, programs, algorithms, or circuit application examples contained in these materials.
3. All information contained in these materials, including product data, diagrams, charts, programs and algorithms represents information on products at the time of publication of these materials, and are subject to change by Renesas Technology Corporation without notice due to product improvements or other reasons. It is therefore recommended that customers contact Renesas Technology Corporation or an authorized Renesas Technology Corporation product distributor for the latest product information before purchasing a product listed herein.
The information described here may contain technical inaccuracies or typographical errors. Renesas Technology Corporation assumes no responsibility for any damage, liability, or other loss rising from these inaccuracies or errors.
Please also pay attention to information published by Renesas Technology Corporation by various means, including the Renesas Technology Corporation Semiconductor home page (<http://www.renesas.com>).
4. When using any or all of the information contained in these materials, including product data, diagrams, charts, programs, and algorithms, please be sure to evaluate all information as a total system before making a final decision on the applicability of the information and products. Renesas Technology Corporation assumes no responsibility for any damage, liability or other loss resulting from the information contained herein.
5. Renesas Technology Corporation semiconductors are not designed or manufactured for use in a device or system that is used under circumstances in which human life is potentially at stake. Please contact Renesas Technology Corporation or an authorized Renesas Technology Corporation product distributor when considering the use of a product contained herein for any specific purposes, such as apparatus or systems for transportation, vehicular, medical, aerospace, nuclear, or undersea repeater use.
6. The prior written approval of Renesas Technology Corporation is necessary to reprint or reproduce in whole or in part these materials.
7. If these products or technologies are subject to the Japanese export control restrictions, they must be exported under a license from the Japanese government and cannot be imported into a country other than the approved destination.
Any diversion or reexport contrary to the export control laws and regulations of Japan and/or the country of destination is prohibited.
8. Please contact Renesas Technology Corporation for further details on these materials or the products contained therein.

Hitachi SuperH™ RISC engine

SH7750 Series

SH7750, SH7750S, SH7750R

Hardware Manual



ADE-602-124E

Rev. 6.0

7/10/2002

Hitachi, Ltd.

Cautions

1. Hitachi neither warrants nor grants licenses of any rights of Hitachi's or any third party's patent, copyright, trademark, or other intellectual property rights for information contained in this document. Hitachi bears no responsibility for problems that may arise with third party's rights, including intellectual property rights, in connection with use of the information contained in this document.
2. Products and product specifications may be subject to change without notice. Confirm that you have received the latest product standards or specifications before final design, purchase or use.
3. Hitachi makes every attempt to ensure that its products are of high quality and reliability. However, contact Hitachi's sales office before using the product in an application that demands especially high quality and reliability or where its failure or malfunction may directly threaten human life or cause risk of bodily injury, such as aerospace, aeronautics, nuclear power, combustion control, transportation, traffic, safety equipment or medical equipment for life support.
4. Design your application so that the product is used within the ranges guaranteed by Hitachi particularly for maximum rating, operating supply voltage range, heat radiation characteristics, installation conditions and other characteristics. Hitachi bears no responsibility for failure or damage when used beyond the guaranteed ranges. Even within the guaranteed ranges, consider normally foreseeable failure rates or failure modes in semiconductor devices and employ systemic measures such as fail-safes, so that the equipment incorporating Hitachi product does not cause bodily injury, fire or other consequential damage due to operation of the Hitachi product.
5. This product is not designed to be radiation resistant.
6. No one is permitted to reproduce or duplicate, in any form, the whole or part of this document without written approval from Hitachi.
7. Contact Hitachi's sales office for any questions regarding this document or Hitachi semiconductor products.

Preface

The SH-4 (SH7750 Series: SH7750, SH7750S, SH7750R) microprocessor incorporates the 32-bit SH-4 CPU and is also equipped with peripheral functions necessary for configuring a user system.

The SH7750 Series is built in with a variety of peripheral functions such as cache memory, memory management unit (MMU), interrupt controller, timers, two serial communication interfaces (SCI, SCIF), real-time clock (RTC), user break controller (UBC), bus state controller (BSC) and smart card interface. This series can be used in a wide range of multimedia equipment. The bus controller is compatible with ROM, SRAM, DRAM, synchronous DRAM and PCMCIA, as well as 64-bit synchronous DRAM 4-bank system and 64-bit data bus.

Target Readers: This manual is designed for use by people who design application systems using the SH7750, SH7750S, or SH7750R.

To use this manual, basic knowledge of electric circuits, logic circuits and microcomputers is required.

Purpose: This manual provides the information of the hardware functions and electrical characteristics of the SH7750, SH7750S, and SH7750R.

The SH-4 Programming Manual contains detailed information of executable instructions. Please read the Programming Manual together with this manual.

How to Use the Book:

- To understand general functions
 - Read the manual from the beginning.
The manual explains the CPU, system control functions, peripheral functions and electrical characteristics in that order.
- To understanding CPU functions
 - Refer to the separate SH-4 Programming Manual.

Explanatory Note: Bit sequence: upper bit at left, and lower bit at right

List of Related Documents: The latest documents are available on our Web site. Please make sure that you have the latest version.

(<http://www.hitachisemiconductor.com/>)

- User manuals for SH7750, SH7750S, and SH7750R

Name of Document	Document No.
SH7750 Series Hardware Manual	This manual
SH-4 Programming Manual	ADE-602-156

- User manuals for development tools

Name of Document	Document No.
C/C++ Compiler, Assembler, Optimizing Linkage Editor User's Manual	ADE-702-246
Simulator/Debugger User's Manual	ADE-702-186
Hitachi Embedded Workshop User's Manual	ADE-702-201

List of Items Revised or Added for This Version

Section	Page	Item	Description
1.1 SH7750 Series (SH7750, SH7750S, SH7750R) Features	1		Description amended and added
	4 to 8	Table 1.1 SH7750 Series Features	Description added for LSI, and description and Note added for Clock pulse generator (CPG) SH7750 and SH7750S added to cache memory Cache memory [SH7750R] added to table Description added for Direct memory access controller (DMAC) and Timer unit (TMU) SH7750R table added to Product lineup Notes 1, 2, 3 added
1.2 Block Diagram	9	Figure 1.1 Block Diagram of SH7750 Series Functions	1 cache 8 KB and 0 cache 16 KB deleted from table
1.3 Pin Arrangement	10 to 12	Figure 1.2 to 1.4	SH7750R added, and description amended
1.4 Pin Functions	13 to 40	Table 1.2 to 1.4	Table and note amended
2.7 Processor Modes	55		Description deleted
3.2 Register Descriptions	61	Figure 3.2 MMU-Related Registers	Amended
	62	3. Page table entry assistance register (PTEA)	SH7750R added after SH7750S
	62	1. Page table entry high register (PTEH), 6. MMU control register (MMUCR)	Description added
3.3.1 Physical Address Space	64 to 67		Description added

Section	Page	Item	Description
3.3.3 Virtual Address Space	68, 69		Description changed
3.3.4 On-Chip RAM Space	69		Description changed
3.3.7 Address Space Identifier (ASID)	70		Note added
4.1.1 Features			Completely revised
	95	Table 4.1 Cache Features (SH7750, SH7750S)	Completely revised
	95	Table 4.2 Cache Features (SH7750R)	Newly added
	96	Table 4.3 Features of Store Queues	Description added
4.2 Register Descriptions	97	Figure 4.1 Cache and Store Queue Control Registers	Figure changed and Note added
	97	(1) Cache Control Register (CCR)	Description added and amended
4.3.1 Configuration			Description added
	101	Figure 4.3 Configuration of Operand Cache (SH7750R)	Newly added
4.3.6 RAM Mode	106 to 107		Description amended and added
4.3.7 OC Index Mode	107		Description added
4.4.1 Configuration	109		Figure 4.5 amended to figure 4.6, description added and amended
	110	Figure 4.7 Configuration of Instruction Cache (SH7750R)	Newly added
4.6 Memory-Mapped Cache Configuration (SH7750R)	116		Newly added
4.7 Store Queues	122		Description amended and added
4.7.3 Transfer to External Memory	122, 123		Description added
4.7.4 SQ Protection	124		Description added
4.7.5 Reading the SQs (SH7750R Only)	124		Newly added
4.7.6 SQ Usage Notes	125		Newly added
5.2 Register Descriptions	128		Description amended
5.4 Exception Types and Priorities	130 to 132	Table 5.2 Exceptions	Description and note added

Section	Page	Item	Description
5.6.3 Interrupts	157	(3) Peripheral Module Interrupts	Description changed
7.3 Instruction Set	186	Table 7.7 Branch Instructions	Description added
8.3 Execution Cycles and Pipeline Stalling	204 to 206		Description amended
9.1.1 Types of Power-Down Modes			Note changed
	222	Table 9.1 Status of CPU and Peripheral Modules in Power-Down Modes	Hardware standby (SH7750S, SH7750R) added to table, description amended
9.1.2 Register Configuration	223	Table 9.2 Power-Down Mode Registers	Description and Note added to table
9.1.3 Pin Configuration	223	Table 9.3 Power-Down Mode Pins	Description added to Function in table and amended
9.2.2 Peripheral Module Pin High Impedance Control	226	Other information	Description amended
9.2.3 Peripheral Module Pin Pull-Up Control	226	Other Information	Added
9.2.4 Standby Control Register 2 (STBCR2)	227	Bit table	Bit 6 amended to STHZ and bit 1 to MSTP6, note added
	227	Bit 6, Bits 1 and 0	Description added
9.2.5 Clock-Stop Register 00 (CLKSTP00) (SH7750R Only)	228, 229		Newly added
9.2.6 Clock-Stop Clear Register 00 (CLKSTPCLR00) (SH7750R Only)	229		Added
9.4.1 Transition to Deep Sleep Mode	230		Description amended, Note added
9.5.2 Exit from Standby Mode	232	Exit by Interrupt	Note added
9.6.1 Transition to Module Standby Function	234		Text amended Table description and note added
9.6.2 Exit from Module Standby Function	234		Description amended Note deleted
9.7 Hardware Standby Mode (SH7750S, SH7750R Only)	235		SH7750R added

Section	Page	Item	Description
9.8.5 Hardware Standby Mode Timing (SH7750S, SH7750R Only)	244 to 246	Figures 9.12, 9.13, 9.15	Figures changed Notes added
10.2.1 Block Diagram of CPG	249	Figure 10.1 (1) Block Diagram of CPG (SH7750, SH7750S)	Amended
	250	Figure 10.1 (2) Block Diagram of CPG (SH7750R)	Newly added
10.2.2 CPG Pin Configuration	252	Table 10.1 CPG Pins	Table and Note amended
10.2.3 CPG Register Configuration	252	Table 10.2 CPG Register	Description added
10.3 Clock Operating Modes			Description added and amended
	253	Table 10.3 (1) Clock Operating Modes (SH7750, SH7750S)	Table amended and Note amended and added
	253	Table 10.3 (2) Clock Operating Modes (SH7750R)	Newly added
	254	Table 10.4 FRQCR Settings and Internal Clock Frequencies	Table and Note amended
10.8.2 Watchdog Timer Control/Status Register (WTCSR)	261		Description amended
10.10 Notes on Board Design	265	When Using a PLL Oscillator Circuit	Description amended
	266	Figure 10.5 Points for Attention when Using PLL Oscillator Circuit	Amended
11.1.1 Features	267		Description added for Alarm interrupts
11.1.2 Block Diagram	268	Figure 11.1 Block Diagram of RTC	Figure amended and Note added
11.1.3 Pin Configuration	269	Table 11.1 RTC Pins	Table amended
11.1.4 Register Configuration	270	Table 11.2 RTC Registers	RTC control register 3 and Year alarm register added to table, and Note added

Section	Page	Item	Description
11.2.2 Second Counter (RSECCNT)	271		Description amended
11.2.17 RTC Control Register 3 (RCR3) and Year-Alarm Register (RYRAR) (SH7750R Only)	283		Newly added
11.3.3 Alarm Function	288		Description added
11.5.2 Carry Flag and Interrupt Flag in Standby Mode	289		Added
11.5.3 Crystal Oscillator Circuit	290	Figure 11.5 Example of Crystal Oscillator Circuit Connection	Note amended
12.1.1 Features	291		Description amended and added
12.1.2 Block Diagram	292	Figure 12.1	Block Diagram of TMU, amended
12.1.4 Register Configuration	293, 294	Table 12.2 TMU Registers	Description and Note added
12.2.3 Timer Start Register 2 (TSTR2)	297		Added
12.2.4 Timer Constant Registers (TCOR)	298		Description amended and added
12.2.5 Timer Counters (TCNT)	298, 299		Description amended and added
12.2.6 Timer Control Registers (TCR)	299		Description amended and added
12.3.1 Counter Operation	304		Description added
12.4 Interrupts	308		Description amended and added
	309	Table 12.3 TMU Interrupt Sources	Channels 3 and 4 added to table Note added
13.1.1 Features	312	Burst ROM interface	Description amended and added, and Note added
13.1.2 Block Diagram	313	Figure 13.1 Block Diagram of BSC	Figure amended and add Note added

Section	Page	Item	Description
13.1.4 Register Configuration	318	Table 13.2 BSC Registers	Bus control register 3 and 4 added to table, and Note added
13.1.5 Overview of Areas	320	Table 13.3 External Memory Space Map	64*7 added to Area 0, 5, 6 Settable Bus Widths, and Note 7 added
	319	Space Divisions	Description amended
	320	Table 13.3 External Memory Space Map	Table amended, and Notes amended and added
	321, 322	Memory Bus Width	Description added
13.2.1 Bus Control Register 1 (BCR1)	326	Bit table	Bit 18 amended and note added
	327	Bit 31, Bit 30, Bit 29	Description added
	328	Bit 26	Description and notes added
	330	Bit 16	
	330	Bit 15, Bit 14	Description amended
	331	Bits 13 to 11	Table amended and note added
	332	Bits 10 to 8	
	333	Bits 7 to 5	
	334	Bit 0	Description amended
13.2.2 Bus Control Register 2 (BCR2)	335	Bits 15, 14	Description added
13.2.3 Bus Control Register 3 (BCR3) (SH7750R Only)	337		Newly added
	338	Bits 12 to 1—Reserved	Description added
13.2.4 Bus Control Register 4 (BCR4)	338, 339		Newly added
13.2.5 Wait Control Register 1 (WCR1)	342		Note amended
13.2.6 Wait Control Register 2 (WCR2)	344 to 349	Bits 31 to 29, Bits 25 to 23, Bits 19 to 17, Bits 15 to 13, Bits 11 to 9, Bits 8 to 6, Bits 5 to 3, and Bits 2 to 0	Description added and amended
13.2.7 Wait Control Register 3 (WCR3)	351	Bit table	Bits 19 and 7 changed, and Note added
	351		Description added

Section	Page	Item	Description
13.2.8 Memory Control Register (MCR)	355	Bits 15 to 13—Write Precharge Delay (TRWL2–TRWL0)	Description added
	358	For Synchronous DRAM Interface	AMX6 description and Notes amended
13.2.10 Synchronous DRAM Mode Register (SDMR)	362 to 364		Description amended, and Note added
13.3.1 Endian/Access Size and Data Alignment	370		Description amended
	371	Data Configuration	Quadword partially amended
13.3.2 Areas	382	Area 0, Area 1	Description added and amended
13.3.3 SRAM Interface	387		Basic interface changed to SRAM interface
	387	Basic Timing	Description amended
	388, 393 to 395	Figures 13.6, 13.11 to 13.13	Notes added
	395	Read-Strobe Negate Timing (Setting Only Possible in the SH7750R)	Description added and amended
13.3.4 DRAM Interface	400 to 408	Figures 13.17 to 13.22	Notes added
13.3.5 Synchronous DRAM Interface	413	Connection of Synchronous DRAM	Description added
	415	Address Multiplexing	Description amended
	417 to 428	Figure 13.28 to 13.37	Note added
	435	Power-On Sequence	Newly added
	438	Notes on Changing the Burst Length (Variation Only Possible in the SH7750R)	Newly added
	440	Connecting a 128-Mbit/256-Mbit Synchronous DRAM with 64-bit Bus Width	Newly added
13.3.6 Burst ROM Interface	441, 442		Description amended
	442 to 444	Figure 13.46 to 13.48	Notes added

Section	Page	Item	Description
13.3.7 PCMCIA Interface	444, 445		Description amended and added
	446	Table 13.18 Relationship between Address and CE when Using PCMCIA Interface	Table amended
	449, 452 to 454	Figures 13.50, 13.53 to 13.55	Notes added
	450	Figure 13.51 Wait Timing for PCMCIA Memory Card Interface	SH7750R added to Note
	451	Figure 13.52 PCMCIA Space Allocation	Amended
13.3.8 MPX Interface	455		Description added and amended
	471	Figure 13.71 MPX Interface Timing 7	Amended
	457 to 472	Figures 13.57 to 13.72	Notes added
13.3.9 Byte Control SRAM Interface	473		Description amended
	475 to 477	Figures 13.74 to 13.76	Notes added
13.3.10 Waits between Access Cycles	479	Figure 13.77 Waits between Access Cycles	Replaced
13.3.11 Bus Arbitration	480, 481		Description added and amended
13.3.16 Notes on Usage	487	Refresh, Bus Arbitration	Description amended
	487	Synchronous DRAM Mode Register Setting (SH7750, SH7750R Only)	Newly added
14.1 Overview	489		Description added and amended
14.1.1 Features	489 to 491		Description amended
14.1.2 Block Diagram (SH7750, SH7750S)	492		Title amended
	492	Figure 14.1 Block Diagram of DMAC	Amended
14.2 Register Descriptions (SH7750, SH7750S)	496		Title amended

Section	Page	Item	Description
14.2.1 DMA Source Address Registers 0–3 (SAR0–SAR3)	496		Description amended
14.2.2 DMA Destination Address Registers 0–3 (DAR0–DAR3)	497		Description amended
14.2.3 DMA Transfer Count Registers 0–3 (DMATCR0–DMATCR3)	498		Description amended
14.2.4 DMA Channel Control Registers 0–3 (CHCR0–CHCR3)	499		Description of DDT mode added
	502, 503	Bits 19 to 16	Initial value changed
	503	Bits 15, 14 and Bits 13, 12	Description amended
	505	Bits 6 to 4	Description added
14.2.5 DMA Operation Register (DMAOR)	508	Bit 4	Description amended
14.3.2 DMA Transfer Requests	513	• External Request Acceptance Conditions	Description added
14.3.4 Types of DMA Transfer	526	Table 14.9 External Request Transfer Sources and Destinations in DDT Mode	Usable DMAC channels changed
	525	(a) Normal DMA Mode	Description amendment
14.3.5 Number of Bus Cycle States and $\overline{\text{DREQ}}$ Pin Sampling Timing	533 to 535	Figure 14.15 to 14.17	Figure description added
14.5 On-Demand Data Transfer Mode (DDT Mode)	545		Description amendments
14.5.2 Pins in DDT Mode	547	BAVL: Data bus D63–D0 release signal	Description added
14.5.3 Transfer Request Acceptance on Each Channel	551, 552	Figures 14.26, 14.27	Title amended
	553	Figure 14.28	Newly added
	554	Figure 14.29	Amended
	554, 555	Figure 14.30, 14.31	Errors corrected
14.5.4 Notes on Use of DDT Module	572	c. of 3. Handshake protocol using the data bus (valid on channel 0 only)	Description amended
	573	b. of 8. Data transfer end request	Added
	573	12. Confirming DMA transfer requests and number of transfers executed	Description amended

Section	Page	Item	Description
14.6 Configuration of the DMAC (SH7750R)	574		Newly added
14.7 Register Descriptions (SH7750R)	579		Newly added
14.8 Operation (SH7750R)	586		Added
14.9 Usage Notes	591	4.	Description amended
	592	9.	Newly added
15.2.8 Serial Port Register (SCSPTR1)	609	Bit 7	Description amended
16.1.2 Block Diagram	659	Figure 16.1 Block Diagram of SCIF	Amended
16.1.3 Pin Configuration	660	Table 16.1 SCIF Pins	Note changed
16.2.6 Serial Control Register (SCSCR2)	667	Bit 1	Description amended
16.2.7 Serial Status Register (SCFSR2)	669	Bit 7—Receive Error (ER)	Note description changed
	672	Bit 3—Framing Error (FER)	Description changed
	672	Bit 2—Parity Error (PER)	Description changed
16.2.9 FIFO Control Register (SCFCR2)	676	Bits 10 to 8	SH7750R added
16.2.11 Serial Port Register (SCSPTR2)		Figure 16.6 MRESET/SCK2 Pin	Deleted
16.3.2 Serial Operation	689	Figure 16.6 Sample SCIF Initialization Flowchart	Amended
	696	Serial Data Reception	Description added to 5.
17.1 Overview	703		Description amended
17.3.2 Pin Connections	711		Description deleted
18.1.3 Pin Configuration	740	Table 18.3 SCIF I/O Port Pins	Amended
19.1.2 Block Diagram	752	Figure 19.1 Block Diagram of INTC	Amended
19.1.4 Register Configuration	753	Table 19.2 INTC Registers	Description added to table, Notes added and amended
19.2.3 On-Chip Peripheral Module Interrupts	757, 758		Description added and amended

Section	Page	Item	Description
19.2.4 Interrupt Exception Handling and Priority	758		Description added
	759 to 761	Table 19.5 Interrupt Exception Handling Sources and Priority Order	Description added to table, Notes added and amended
19.3.1 Interrupt Priority Registers A to D (IPRA–IPRD)	762	Table 19.6 Interrupt Request Sources and IPRA–IPRD Registers	SH7750R added to Note 3
19.3.3 Interrupt-Priority-Level Setting Register 00 (INTPRI00)	764		Newly added
19.3.4 Interrupt Source Register 00 (INTREQ00) (SH7750R Only)	765		Newly added
19.3.5 Interrupt Mask Register 00 (INTMSK00) (SH7750R Only)	766		Newly added
19.3.6 Interrupt Mask Clear Register 00 (INTMSKCLR00) (SH7750R Only)	767		Newly added
19.3.7 Bit Assignments of INTREQ00, INTMSK00, and INTMSKCLR00 (SH7750R Only)	767		19.3.4 moved to 19.3.7
19.4.1 Interrupt Operation Sequence	768		Note 3 added
19.5 Interrupt Response Time	771		Note amended
20.2.4 Break Address Mask Register (BAMRA)	778, 779	Bit 2, and Bits 3, 1, and 0	Description added
20.2.10 Break Data Mask Register B (BDMRB)	783	Bits 31 to 0	Description added
20.3.7 Program Counter (PC) Value Saved	791	20.3.7 Program Counter (PC) Value Saved	4. Description added
20.4 User Break Debug Support Function	794	Figure 20.2 User Break Debug Support Function Flowchart	Amended
21.1.1 Features	799		Description amended
21.1.2 Block Diagram	800	Figure 21.1 Block Diagram of H-UDI Circuit	Figure changed and Note added

Section	Page	Item	Description
21.1.3 Pin Configuration	801	Table 21.1 H-UDI Pins	Table amended and Note 3 added
21.1.4 Register Configuration	802	Table 21.2 H-UDI Registers	Description added to table and Notes 3 and 4 added
21.2.1 Instruction Register (SDIR)	804		[SH7750R] description added
21.2.4 Interrupt Source Register (SDINT)	806		Newly added
21.2.5 Boundary Scan Register (SDBSR)	806		Newly added
	808, 809	Table 21.3 Configuration of the Boundary Scan Register (2), (3)	Newly added
21.3.3 H-UDI Interrupt	811		Description changed
21.3.4 BYPASS			Deleted
21.3.4 Boundary Scan (EXTEST, SAMPLE/PRELOAD, BYPASS)	812		Newly added
21.4 Usage Notes	812	5.	Description added
22.1 Absolute Maximum Ratings	813	Table 22.1 Absolute Maximum Ratings	Table amended and notes amended
22.2 DC Characteristics	814, 815	Table 22.2 DC Characteristics (HD6417750RBP240)	Newly added
	816, 817	Table 22.3 DC Characteristics (HD6417750RF240)	Newly added
	818, 819	Table 22.4 DC Characteristics (HD6417750RBP200)	Newly added
	820, 821	Table 22.5 DC Characteristics (HD6417750RF200)	Newly added
	822, 823	Table 22.6 DC Characteristics (HD6417750SBP200)	Amended
	826, 827	Table 22.8 DC Characteristics (HD6417750BP200M)	Amended

Section	Page	Item	Description
22.2 DC Characteristics	836, 837	Table 22.13 DC Characteristics (HD6417750SVF133)	Amended
	838, 839	Table 22.14 DC Characteristics (HD6417750SVBT133)	Amended
	840, 841	Table 22.15 DC Characteristics (HD6417750VF128)	Amended
22.3 AC Characteristics	842	Table 22.17 Clock Timing (HD6417750RBP240)	Newly added
	842	Table 22.18 Clock Timing (HD6417750RF240)	Newly added
	842	Table 22.19 Clock Timing (HD6417750BP200M, HD6417750SBP200, HD6417750RBP200)	HD6417750RBP200 clock timing added
	842	Table 22.20 Clock Timing (HD6417750RF200)	Newly added
	842	Table 22.21 Clock Timing (HD6417750SF200)	Amended
	843	Table 22.22 Clock Timing (HD6417750F167, HD6417750F167I, HD6417750SF167, HD6417750SF167I)	Amended
	843	Table 22.23 Clock Timing (HD6417750SVF133, HD6417750SVBT133)	Amended
	843	Table 22.24 Clock Timing (HD6417750VF128)	Amended
	22.3.1 Clock and Control Signal Timing	844, 845	Table 22.25 Clock and Control Signal Timing (HD6417750RBP240)
846, 847		Table 22.26 Clock and Control Signal Timing (HD6417750RF240)	Newly added
848, 849		Table 22.27 Clock and Control Signal Timing (HD6417750RBP200)	Newly added

Section	Page	Item	Description
22.3.1 Clock and Control Signal Timing	850, 851	Table 22.28 Clock and Control Signal Timing (HD6417750RF200)	Newly added
	852, 853	Table 22.29 Clock and Control Signal Timing (HD6417750BP200M, HD6417750SBP200)	Newly added
	854, 855	Table 22.30 Clock and Control Signal Timing (HD6417750SF200)	Amended
	856, 857	Table 22.31 Clock and Control Signal Timing (HD6417750F167, HD6417750F167I, HD6417750SF167, HD6417750SF167I)	Amended
	858, 859	Table 22.32 Clock and Control Signal Timing (HD6417750SVF133, HD6417750SVBT133)	Amended
	860, 861	Table 22.33 Clock and Control Signal Timing (HD6417750VF128)	Amended
	864	Figure 22.6 Standby Return Oscillation Settling Time (Return by RESET)	Amended
	865	Figure 22.8 Standby Return Oscillation Settling Time (Return by $\overline{\text{IRL3}}\text{--}\overline{\text{IRL0}}$)	Amended
	866	Figure 22.10 PLL Synchronization Settling Time in Case of IRL Interrupt	Amended
	22.3.2 Control Signal Timing	868	Table 22.34 Control Signal Timing (1)
22.3.3 Bus Timing	880	Figure 22.18 SRAM Bus Cycle: Basic Bus Cycle (No Wait, Address Setup/Hold Time Insertion, AnS = 1, AnH = 1)	Figure changed and Note added
	881	Figure 22.19 Burst ROM Bus Cycle (No Wait)	Amended
	871, 872	Table 22.35 Bus Timing (1)	Table newly added

Section	Page	Item	Description
22.3.4 Peripheral Module Signal Timing	924, 925	Table 22.36 Peripheral Module Signal Timing (1)	Table newly added
	900 to 921, 923	Figures 22.37 to 22.58, Figure 22.60	Titles amended
	930	Figure 22.62 RTC Oscillation Settling Time at Power-On	Amended
	932	Figure 22.66(b) $\overline{\text{DBREQ/TR}}$ Input Timing and BAVL Output Timing	Newly added
Appendix A Address List	937 to 942	Table A.1 Address List	BCR4, RCR3, RYRAR, SDINT and Notes added BCR3 area 7 address amended DMAC, INTC, CPG, TMU table added
Appendix B Package Dimensions	943, 944	Figure B.1 Package Dimensions (256-Pin BGA) Figure B.2 Package Dimensions (208-Pin QFP)	Amended
Appendix C Mode Pin Settings	946	Clock Modes	Table 10.3 (1), (2) inserted
	947	Area 0 Bus Width	Area 0 memory type deleted and data integrated into area 0 bus width table
Appendix D $\overline{\text{CKIO2ENB}}$ Pin Configuration	948	Figure D.1 $\overline{\text{CKIO2ENB}}$ Pin Configuration	Amended
Appendix E Pin Functions	950 to 952	Table E.1 Pin States in Reset, Power-Down State, and Bus-Released State	Sleep row deleted D40–D51 deleted Notes added
Appendix F Synchronous DRAM Address Multiplexing Tables	970, 971	(17) BUS 64 (128M: $4\text{M} \times 8\text{b} \times 4$) \times 8 (SH7750R only) (18) BUS 64 (256M: $4\text{M} \times 16\text{b} \times 4$) \times 4 (SH7750R only)	Newly added

Section	Page	Item	Description
Appendix F Synchronous DRAM Address Multiplexing Tables	972, 973	(19) BUS 32 (128M: 4M × 8b × 4) × 4 (SH7750S and SH7750R only) (20) BUS 32 (256M: 4M × 16b × 4) × 2 (SH7750S and SH7750R only)	SH7750R added
Appendix H Power-On and Power-Off Procedures	977 to 979		Newly added
Appendix I Product Code Lineup	980	Table I.1 SH7750 Series Product Code Lineup	SH7750R added

Contents

Section 1	Overview	1
1.1	SH7750 Series (SH7750, SH7750S, SH7750R) Features	1
1.2	Block Diagram	9
1.3	Pin Arrangement	10
1.4	Pin Functions.....	13
1.4.1	Pin Functions (256-Pin BGA).....	13
1.4.2	Pin Functions (208-Pin QFP)	23
1.4.3	Pin Functions (264-Pin CSP)	31
Section 2	Programming Model.....	41
2.1	Data Formats	41
2.2	Register Configuration	42
2.2.1	Privileged Mode and Banks	42
2.2.2	General Registers	45
2.2.3	Floating-Point Registers	47
2.2.4	Control Registers.....	49
2.2.5	System Registers	50
2.3	Memory-Mapped Registers	52
2.4	Data Format in Registers	53
2.5	Data Formats in Memory	53
2.6	Processor States	54
2.7	Processor Modes	55
Section 3	Memory Management Unit (MMU)	57
3.1	Overview	57
3.1.1	Features	57
3.1.2	Role of the MMU	57
3.1.3	Register Configuration	60
3.1.4	Caution	60
3.2	Register Descriptions	61
3.3	Address Space	64
3.3.1	Physical Address Space.....	64
3.3.2	External Memory Space	67
3.3.3	Virtual Address Space	68
3.3.4	On-Chip RAM Space	69
3.3.5	Address Translation.....	69
3.3.6	Single Virtual Memory Mode and Multiple Virtual Memory Mode.....	70
3.3.7	Address Space Identifier (ASID)	70
3.4	TLB Functions.....	71

3.4.1	Unified TLB (UTLB) Configuration.....	71
3.4.2	Instruction TLB (ITLB) Configuration.....	75
3.4.3	Address Translation Method.....	75
3.5	MMU Functions.....	78
3.5.1	MMU Hardware Management.....	78
3.5.2	MMU Software Management.....	78
3.5.3	MMU Instruction (LDTLB).....	78
3.5.4	Hardware ITLB Miss Handling.....	79
3.5.5	Avoiding Synonym Problems.....	80
3.6	MMU Exceptions.....	81
3.6.1	Instruction TLB Multiple Hit Exception.....	81
3.6.2	Instruction TLB Miss Exception.....	82
3.6.3	Instruction TLB Protection Violation Exception.....	83
3.6.4	Data TLB Multiple Hit Exception.....	84
3.6.5	Data TLB Miss Exception.....	84
3.6.6	Data TLB Protection Violation Exception.....	85
3.6.7	Initial Page Write Exception.....	86
3.7	Memory-Mapped TLB Configuration.....	87
3.7.1	ITLB Address Array.....	88
3.7.2	ITLB Data Array 1.....	89
3.7.3	ITLB Data Array 2.....	90
3.7.4	UTLB Address Array.....	90
3.7.5	UTLB Data Array 1.....	92
3.7.6	UTLB Data Array 2.....	93
Section 4 Caches.....		95
4.1	Overview.....	95
4.1.1	Features.....	95
4.1.2	Register Configuration.....	96
4.2	Register Descriptions.....	97
4.3	Operand Cache (OC).....	99
4.3.1	Configuration.....	99
4.3.2	Read Operation.....	103
4.3.3	Write Operation.....	104
4.3.4	Write-Back Buffer.....	105
4.3.5	Write-Through Buffer.....	105
4.3.6	RAM Mode.....	106
4.3.7	OC Index Mode.....	107
4.3.8	Coherency between Cache and External Memory.....	107
4.3.9	Prefetch Operation.....	108
4.4	Instruction Cache (IC).....	108
4.4.1	Configuration.....	108
4.4.2	Read Operation.....	111

4.4.3	IC Index Mode	111
4.5	Memory-Mapped Cache Configuration (SH7750, SH7750S).....	112
4.5.1	IC Address Array	112
4.5.2	IC Data Array	113
4.5.3	OC Address Array	114
4.5.4	OC Data Array	115
4.6	Memory-Mapped Cache Configuration (SH7750R)	116
4.6.1	IC Address Array	117
4.6.2	IC Data Array	118
4.6.3	OC Address Array	119
4.6.4	OC Data Array	120
4.6.5	Summary of the Memory-Mapping of the OC	121
4.7	Store Queues	122
4.7.1	SQ Configuration	122
4.7.2	SQ Writes	122
4.7.3	Transfer to External Memory	122
4.7.4	SQ Protection	124
4.7.5	Reading the SQs (SH7750R Only).....	124
4.7.6	SQ Usage Notes	125
Section 5 Exceptions		127
5.1	Overview	127
5.1.1	Features	127
5.1.2	Register Configuration	127
5.2	Register Descriptions	128
5.3	Exception Handling Functions	129
5.3.1	Exception Handling Flow.....	129
5.3.2	Exception Handling Vector Addresses.....	129
5.4	Exception Types and Priorities.....	130
5.5	Exception Flow	132
5.5.1	Exception Flow	132
5.5.2	Exception Source Acceptance	133
5.5.3	Exception Requests and BL Bit.....	135
5.5.4	Return from Exception Handling	135
5.6	Description of Exceptions	135
5.6.1	Resets	136
5.6.2	General Exceptions	141
5.6.3	Interrupts	155
5.6.4	Priority Order with Multiple Exceptions.....	158
5.7	Usage Notes.....	159
5.8	Restrictions	160

Section 6	Floating-Point Unit	161
6.1	Overview	161
6.2	Data Formats	161
6.2.1	Floating-Point Format	161
6.2.2	Non-Numbers (NaN).....	163
6.2.3	Denormalized Numbers.....	164
6.3	Registers	165
6.3.1	Floating-Point Registers	165
6.3.2	Floating-Point Status/Control Register (FPSCR)	167
6.3.3	Floating-Point Communication Register (FPUL).....	168
6.4	Rounding	168
6.5	Floating-Point Exceptions	169
6.6	Graphics Support Functions	170
6.6.1	Geometric Operation Instructions	170
6.6.2	Pair Single-Precision Data Transfer	172
Section 7	Instruction Set.....	173
7.1	Execution Environment.....	173
7.2	Addressing Modes.....	175
7.3	Instruction Set	179
Section 8	Pipelining	193
8.1	Pipelines	193
8.2	Parallel-Executability	200
8.3	Execution Cycles and Pipeline Stalling.....	204
Section 9	Power-Down Modes	221
9.1	Overview	221
9.1.1	Types of Power-Down Modes.....	221
9.1.2	Register Configuration	223
9.1.3	Pin Configuration	223
9.2	Register Descriptions	224
9.2.1	Standby Control Register (STBCR)	224
9.2.2	Peripheral Module Pin High Impedance Control	226
9.2.3	Peripheral Module Pin Pull-Up Control.....	226
9.2.4	Standby Control Register 2 (STBCR2)	227
9.2.5	Clock-Stop Register 00 (CLKSTP00) (SH7750R Only).....	228
9.2.6	Clock-Stop Clear Register 00 (CLKSTPCLR00) (SH7750R Only)	229
9.3	Sleep Mode.....	230
9.3.1	Transition to Sleep Mode	230
9.3.2	Exit from Sleep Mode	230
9.4	Deep Sleep Mode	230
9.4.1	Transition to Deep Sleep Mode.....	230

9.4.2	Exit from Deep Sleep Mode.....	231
9.5	Standby Mode	231
9.5.1	Transition to Standby Mode.....	231
9.5.2	Exit from Standby Mode.....	232
9.5.3	Clock Pause Function.....	232
9.6	Module Standby Function	233
9.6.1	Transition to Module Standby Function.....	233
9.6.2	Exit from Module Standby Function.....	234
9.7	Hardware Standby Mode (SH7750S, SH7750R Only)	235
9.7.1	Transition to Hardware Standby Mode	235
9.7.2	Exit from Hardware Standby Mode	235
9.7.3	Usage Notes	235
9.8	STATUS Pin Change Timing.....	236
9.8.1	In Reset.....	237
9.8.2	In Exit from Standby Mode.....	238
9.8.3	In Exit from Sleep Mode.....	240
9.8.4	In Exit from Deep Sleep Mode.....	242
9.8.5	Hardware Standby Mode Timing (SH7750S, SH7750R Only).....	244
 Section 10 Clock Oscillation Circuits.....		 247
10.1	Overview	247
10.1.1	Features	247
10.2	Overview of CPG.....	249
10.2.1	Block Diagram of CPG	249
10.2.2	CPG Pin Configuration	252
10.2.3	CPG Register Configuration	252
10.3	Clock Operating Modes.....	253
10.4	CPG Register Description	254
10.4.1	Frequency Control Register (FRQCR).....	254
10.5	Changing the Frequency.....	257
10.5.1	Changing PLL Circuit 1 Starting/Stopping (When PLL Circuit 2 is Off).....	257
10.5.2	Changing PLL Circuit 1 Starting/Stopping (When PLL Circuit 2 is On)	257
10.5.3	Changing Bus Clock Division Ratio (When PLL Circuit 2 is On).....	258
10.5.4	Changing Bus Clock Division Ratio (When PLL Circuit 2 is Off).....	258
10.5.5	Changing CPU or Peripheral Module Clock Division Ratio.....	258
10.6	Output Clock Control.....	258
10.7	Overview of Watchdog Timer.....	259
10.7.1	Block Diagram	259
10.7.2	Register Configuration	260
10.8	WDT Register Descriptions	260
10.8.1	Watchdog Timer Counter (WTCNT).....	260
10.8.2	Watchdog Timer Control/Status Register (WTCSR)	261
10.8.3	Notes on Register Access.....	263

10.9	Using the WDT	263
10.9.1	Standby Clearing Procedure	263
10.9.2	Frequency Changing Procedure	264
10.9.3	Using Watchdog Timer Mode	264
10.9.4	Using Interval Timer Mode	265
10.10	Notes on Board Design	265
Section 11 Realtime Clock (RTC)		267
11.1	Overview	267
11.1.1	Features	267
11.1.2	Block Diagram	268
11.1.3	Pin Configuration	269
11.1.4	Register Configuration	269
11.2	Register Descriptions	271
11.2.1	64 Hz Counter (R64CNT)	271
11.2.2	Second Counter (RSECCNT)	271
11.2.3	Minute Counter (RMINCNT)	272
11.2.4	Hour Counter (RHRCNT)	272
11.2.5	Day-of-Week Counter (RWKCNT)	273
11.2.6	Day Counter (RDAYCNT)	274
11.2.7	Month Counter (RMONCNT)	274
11.2.8	Year Counter (RYRCNT)	275
11.2.9	Second Alarm Register (RSECAR)	276
11.2.10	Minute Alarm Register (RMINAR)	276
11.2.11	Hour Alarm Register (RHRAR)	277
11.2.12	Day-of-Week Alarm Register (RWKAR)	277
11.2.13	Day Alarm Register (RDAYAR)	278
11.2.14	Month Alarm Register (RMONAR)	279
11.2.15	RTC Control Register 1 (RCR1)	279
11.2.16	RTC Control Register 2 (RCR2)	281
11.2.17	RTC Control Register 3 (RCR3) and Year-Alarm Register (RYRAR) (SH7750R Only)	283
11.3	Operation	285
11.3.1	Time Setting Procedures	285
11.3.2	Time Reading Procedures	286
11.3.3	Alarm Function	288
11.4	Interrupts	289
11.5	Usage Notes	289
11.5.1	Register Initialization	289
11.5.2	Carry Flag and Interrupt Flag in Standby Mode	289
11.5.3	Crystal Oscillator Circuit	289

Section 12	Timer Unit (TMU)	291
12.1	Overview	291
12.1.1	Features	291
12.1.2	Block Diagram	292
12.1.3	Pin Configuration	292
12.1.4	Register Configuration	293
12.2	Register Descriptions	295
12.2.1	Timer Output Control Register (TOCR)	295
12.2.2	Timer Start Register (TSTR)	296
12.2.3	Timer Start Register 2 (TSTR2) (SH7750R Only)	297
12.2.4	Timer Constant Registers (TCOR)	298
12.2.5	Timer Counters (TCNT)	298
12.2.6	Timer Control Registers (TCR)	299
12.2.7	Input Capture Register (TCPR2)	303
12.3	Operation	304
12.3.1	Counter Operation	304
12.3.2	Input Capture Function	307
12.4	Interrupts	308
12.5	Usage Notes	309
12.5.1	Register Writes	309
12.5.2	TCNT Register Reads	309
12.5.3	Resetting the RTC Frequency Divider	309
12.5.4	External Clock Frequency	309
Section 13	Bus State Controller (BSC)	311
13.1	Overview	311
13.1.1	Features	311
13.1.2	Block Diagram	313
13.1.3	Pin Configuration	314
13.1.4	Register Configuration	318
13.1.5	Overview of Areas	319
13.1.6	PCMCIA Support	322
13.2	Register Descriptions	326
13.2.1	Bus Control Register 1 (BCR1)	326
13.2.2	Bus Control Register 2 (BCR2)	335
13.2.3	Bus Control Register 3 (BCR3) (SH7750R Only)	337
13.2.4	Bus Control Register 4 (BCR4) (SH7750R Only)	338
13.2.5	Wait Control Register 1 (WCR1)	340
13.2.6	Wait Control Register 2 (WCR2)	343
13.2.7	Wait Control Register 3 (WCR3)	351
13.2.8	Memory Control Register (MCR)	352
13.2.9	PCMCIA Control Register (PCR)	359
13.2.10	Synchronous DRAM Mode Register (SDMR)	362

13.2.11 Refresh Timer Control/Status Register (RTCSR)	364
13.2.12 Refresh Timer Counter (RTCNT)	367
13.2.13 Refresh Time Constant Register (RTCOR).....	368
13.2.14 Refresh Count Register (RFCR).....	369
13.2.15 Notes on Accessing Refresh Control Registers	369
13.3 Operation.....	370
13.3.1 Endian/Access Size and Data Alignment	370
13.3.2 Areas	382
13.3.3 SRAM Interface	387
13.3.4 DRAM Interface.....	395
13.3.5 Synchronous DRAM Interface.....	413
13.3.6 Burst ROM Interface.....	441
13.3.7 PCMCIA Interface	444
13.3.8 MPX Interface.....	455
13.3.9 Byte Control SRAM Interface.....	473
13.3.10 Waits between Access Cycles	478
13.3.11 Bus Arbitration.....	480
13.3.12 Master Mode	483
13.3.13 Slave Mode.....	484
13.3.14 Partial-Sharing Master Mode	485
13.3.15 Cooperation between Master and Slave	486
13.3.16 Notes on Usage	487
Section 14 Direct Memory Access Controller (DMAC).....	489
14.1 Overview	489
14.1.1 Features	489
14.1.2 Block Diagram (SH7750, SH7750S)	492
14.1.3 Pin Configuration (SH7750, SH7750S)	493
14.1.4 Register Configuration (SH7750, SH7750S)	494
14.2 Register Descriptions (SH7750, SH7750S).....	496
14.2.1 DMA Source Address Registers 0–3 (SAR0–SAR3).....	496
14.2.2 DMA Destination Address Registers 0–3 (DAR0–DAR3).....	497
14.2.3 DMA Transfer Count Registers 0–3 (DMATCR0–DMATCR3).....	498
14.2.4 DMA Channel Control Registers 0–3 (CHCR0–CHCR3)	499
14.2.5 DMA Operation Register (DMAOR).....	507
14.3 Operation.....	510
14.3.1 DMA Transfer Procedure.....	510
14.3.2 DMA Transfer Requests.....	512
14.3.3 Channel Priorities.....	515
14.3.4 Types of DMA Transfer	518
14.3.5 Number of Bus Cycle States and $\overline{\text{DREQ}}$ Pin Sampling Timing.....	527
14.3.6 Ending DMA Transfer	541
14.4 Examples of Use.....	544

14.4.1	Examples of Transfer between External Memory and an External Device with DACK	544
14.5	On-Demand Data Transfer Mode (DDT Mode).....	545
14.5.1	Operation.....	545
14.5.2	Pins in DDT Mode	547
14.5.3	Transfer Request Acceptance on Each Channel.....	550
14.5.4	Notes on Use of DDT Module	571
14.6	Configuration of the DMAC (SH7750R).....	574
14.6.1	Block Diagram of the DMAC	574
14.6.2	Pin Configuration (SH7750R).....	575
14.6.3	Register Configuration (SH7750R).....	576
14.7	Register Descriptions (SH7750R)	579
14.7.1	DMA Source Address Registers 0–7 (SAR0–SAR7).....	579
14.7.2	DMA Destination Address Registers 0–7 (DAR0–DAR7).....	579
14.7.3	DMA Transfer Count Registers 0–7 (DMATCR0–DMATCR7).....	580
14.7.4	DMA Channel Control Registers 0–7 (CHCR0–CHCR7)	580
14.7.5	DMA Operation Register (DMAOR).....	583
14.8	Operation (SH7750R).....	586
14.8.1	Channel Specification for a Normal DMA Transfer	586
14.8.2	Channel Specification for DDT-Mode DMA Transfer	586
14.8.3	Transfer Channel Notification in DDT Mode	586
14.8.4	Clearing Request Queues by DTR Format.....	587
14.8.5	Interrupt-Request Codes.....	588
14.9	Usage Notes.....	591
Section 15 Serial Communication Interface (SCI).....		593
15.1	Overview	593
15.1.1	Features	593
15.1.2	Block Diagram	595
15.1.3	Pin Configuration	596
15.1.4	Register Configuration	596
15.2	Register Descriptions	597
15.2.1	Receive Shift Register (SCRSR1).....	597
15.2.2	Receive Data Register (SCRDR1).....	597
15.2.3	Transmit Shift Register (SCTSR1).....	598
15.2.4	Transmit Data Register (SCTDR1)	598
15.2.5	Serial Mode Register (SCSMR1)	599
15.2.6	Serial Control Register (SCSCR1).....	601
15.2.7	Serial Status Register (SCSSR1).....	605
15.2.8	Serial Port Register (SCSPTR1).....	609
15.2.9	Bit Rate Register (SCBRR1).....	613
15.3	Operation.....	621
15.3.1	Overview	621

15.3.2	Operation in Asynchronous Mode	623
15.3.3	Multiprocessor Communication Function.....	634
15.3.4	Operation in Synchronous Mode.....	642
15.4	SCI Interrupt Sources and DMAC	651
15.5	Usage Notes.....	652
Section 16 Serial Communication Interface with FIFO (SCIF).....		657
16.1	Overview	657
16.1.1	Features	657
16.1.2	Block Diagram	659
16.1.3	Pin Configuration	660
16.1.4	Register Configuration	661
16.2	Register Descriptions	661
16.2.1	Receive Shift Register (SCRSR2).....	661
16.2.2	Receive FIFO Data Register (SCFRDR2).....	662
16.2.3	Transmit Shift Register (SCTSR2).....	662
16.2.4	Transmit FIFO Data Register (SCFTDR2)	663
16.2.5	Serial Mode Register (SCSMR2)	663
16.2.6	Serial Control Register (SCSCR2)	665
16.2.7	Serial Status Register (SCFSR2).....	668
16.2.8	Bit Rate Register (SCBRR2)	674
16.2.9	FIFO Control Register (SCFCR2).....	675
16.2.10	FIFO Data Count Register (SCFDR2)	678
16.2.11	Serial Port Register (SCSPTR2).....	679
16.2.12	Line Status Register (SCLSR2).....	684
16.3	Operation.....	685
16.3.1	Overview	685
16.3.2	Serial Operation	686
16.4	SCIF Interrupt Sources and the DMAC	697
16.5	Usage Notes.....	698
Section 17 Smart Card Interface.....		703
17.1	Overview	703
17.1.1	Features	703
17.1.2	Block Diagram	704
17.1.3	Pin Configuration	705
17.1.4	Register Configuration	705
17.2	Register Descriptions	706
17.2.1	Smart Card Mode Register (SCSCMR1)	706
17.2.2	Serial Mode Register (SCSMR1)	707
17.2.3	Serial Control Register (SCSCR1)	708
17.2.4	Serial Status Register (SCSSR1).....	709
17.3	Operation.....	710

17.3.1	Overview	710
17.3.2	Pin Connections	711
17.3.3	Data Format.....	712
17.3.4	Register Settings.....	713
17.3.5	Clock	715
17.3.6	Data Transmit/Receive Operations.....	718
17.4	Usage Notes.....	725
Section 18 I/O Ports		731
18.1	Overview	731
18.1.1	Features	731
18.1.2	Block Diagrams.....	732
18.1.3	Pin Configuration	739
18.1.4	Register Configuration	741
18.2	Register Descriptions	742
18.2.1	Port Control Register A (PCTRA)	742
18.2.2	Port Data Register A (PDTRA).....	743
18.2.3	Port Control Register B (PCTRB).....	744
18.2.4	Port Data Register B (PDTRB)	745
18.2.5	GPIO Interrupt Control Register (GPIOIC)	745
18.2.6	Serial Port Register (SCSPTR1).....	746
18.2.7	Serial Port Register (SCSPTR2).....	748
Section 19 Interrupt Controller (INTC).....		751
19.1	Overview	751
19.1.1	Features	751
19.1.2	Block Diagram	751
19.1.3	Pin Configuration	753
19.1.4	Register Configuration	753
19.2	Interrupt Sources	754
19.2.1	NMI Interrupt	754
19.2.2	IRL Interrupts.....	755
19.2.3	On-Chip Peripheral Module Interrupts.....	757
19.2.4	Interrupt Exception Handling and Priority	758
19.3	Register Descriptions	761
19.3.1	Interrupt Priority Registers A to D (IPRA–IPRD)	761
19.3.2	Interrupt Control Register (ICR)	762
19.3.3	Interrupt-Priority-Level Setting Register 00 (INTPRI00) (SH7750R Only).....	764
19.3.4	Interrupt Source Register 00 (INTREQ00) (SH7750R Only)	765
19.3.5	Interrupt Mask Register 00 (INTMSK00) (SH7750R Only).....	766
19.3.6	Interrupt Mask Clear Register 00 (INTMSKCLR00) (SH7750R Only)	767
19.3.7	Bit Assignments of INTREQ00, INTMSK00, and INTMSKCLR00 (SH7750R Only)	767

19.4	INTC Operation.....	768
19.4.1	Interrupt Operation Sequence.....	768
19.4.2	Multiple Interrupts.....	770
19.4.3	Interrupt Masking with MAI Bit	770
19.5	Interrupt Response Time	771
Section 20 User Break Controller (UBC).....		773
20.1	Overview	773
20.1.1	Features	773
20.1.2	Block Diagram	774
20.2	Register Descriptions	776
20.2.1	Access to UBC Control Registers	776
20.2.2	Break Address Register A (BARA)	777
20.2.3	Break ASID Register A (BASRA).....	778
20.2.4	Break Address Mask Register A (BAMRA)	778
20.2.5	Break Bus Cycle Register A (BBRA)	779
20.2.6	Break Address Register B (BARB).....	781
20.2.7	Break ASID Register B (BASRB)	781
20.2.8	Break Address Mask Register B (BAMRB).....	781
20.2.9	Break Data Register B (BDRB)	781
20.2.10	Break Data Mask Register B (BDMRB).....	782
20.2.11	Break Bus Cycle Register B (BBRB).....	783
20.2.12	Break Control Register (BRCR).....	783
20.3	Operation.....	785
20.3.1	Explanation of Terms Relating to Accesses	785
20.3.2	Explanation of Terms Relating to Instruction Intervals	786
20.3.3	User Break Operation Sequence.....	787
20.3.4	Instruction Access Cycle Break	788
20.3.5	Operand Access Cycle Break	789
20.3.6	Condition Match Flag Setting	790
20.3.7	Program Counter (PC) Value Saved	790
20.3.8	Contiguous A and B Settings for Sequential Conditions.....	791
20.3.9	Usage Notes	792
20.4	User Break Debug Support Function	793
20.5	Examples of Use.....	795
20.6	User Break Controller Stop Function	797
20.6.1	Transition to User Break Controller Stopped State.....	797
20.6.2	Cancelling the User Break Controller Stopped State	797
20.6.3	Examples of Stopping and Restarting the User Break Controller	798
Section 21 Hitachi User Debug Interface (H-UDI).....		799
21.1	Overview	799
21.1.1	Features	799

21.1.2	Block Diagram	799
21.1.3	Pin Configuration	801
21.1.4	Register Configuration	802
21.2	Register Descriptions	803
21.2.1	Instruction Register (SDIR).....	803
21.2.2	Data Register (SDDR).....	805
21.2.3	Bypass Register (SDBPR).....	805
21.2.4	Interrupt Source Register (SDINT) (SH7750R Only).....	806
21.2.5	Boundary Scan Register (SDBSR) (SH7750R Only).....	806
21.3	Operation.....	810
21.3.1	TAP Control.....	810
21.3.2	H-UDI Reset.....	811
21.3.3	H-UDI Interrupt	811
21.3.4	Boundary Scan (EXTEST, SAMPLE/PRELOAD, BYPASS) (SH7750R Only).....	812
21.4	Usage Notes.....	812
Section 22 Electrical Characteristics.....		813
22.1	Absolute Maximum Ratings.....	813
22.2	DC Characteristics.....	814
22.3	AC Characteristics.....	842
22.3.1	Clock and Control Signal Timing	844
22.3.2	Control Signal Timing.....	868
22.3.3	Bus Timing.....	871
22.3.4	Peripheral Module Signal Timing	924
22.3.5	AC Characteristic Test Conditions.....	934
22.3.6	Delay Time Variation Due to Load Capacitance.....	935
Appendix A Address List.....		937
Appendix B Package Dimensions		943
Appendix C Mode Pin Settings.....		947
Appendix D <u>CKIO2ENB</u> Pin Configuration		949
Appendix E Pin Functions.....		951
E.1	Pin States.....	951
E.2	Handling of Unused Pins.....	954
Appendix F Synchronous DRAM Address Multiplexing Tables.....		955
Appendix G Prefetching of Instructions and its Side Effects		977

Appendix H	Power-On and Power-Off Procedures.....	978
Appendix I	Product Code Lineup	979
Index.....		981

Figures

Figure 1.1	Block Diagram of SH7750 Series Functions.....	9
Figure 1.2	Pin Arrangement (256-Pin BGA).....	10
Figure 1.3	Pin Arrangement (208-Pin QFP).....	11
Figure 1.4	Pin Arrangement (264-Pin CSP).....	12
Figure 2.1	Data Formats	41
Figure 2.2	CPU Register Configuration in Each Processor Mode.....	44
Figure 2.3	General Registers	46
Figure 2.4	Floating-Point Registers	48
Figure 2.5	Data Formats In Memory	53
Figure 2.6	Processor State Transitions	55
Figure 3.1	Role of the MMU	59
Figure 3.2	MMU-Related Registers.....	61
Figure 3.3	Physical Address Space (MMUCR.AT = 0)	65
Figure 3.4	P4 Area.....	66
Figure 3.5	External Memory Space.....	67
Figure 3.6	Virtual Address Space (MMUCR.AT = 1).....	68
Figure 3.7	UTLB Configuration	71
Figure 3.8	Relationship between Page Size and Address Format.....	72
Figure 3.9	ITLB Configuration.....	75
Figure 3.10	Flowchart of Memory Access Using UTLB.....	76
Figure 3.11	Flowchart of Memory Access Using ITLB	77
Figure 3.12	Operation of LDTLB Instruction	79
Figure 3.13	Memory-Mapped ITLB Address Array.....	88
Figure 3.14	Memory-Mapped ITLB Data Array 1	89
Figure 3.15	Memory-Mapped ITLB Data Array 2	90
Figure 3.16	Memory-Mapped UTLB Address Array	91
Figure 3.17	Memory-Mapped UTLB Data Array 1.....	92
Figure 3.18	Memory-Mapped UTLB Data Array 2.....	93
Figure 4.1	Cache and Store Queue Control Registers	97
Figure 4.2	Configuration of Operand Cache(SH7750, SH7750S).....	100
Figure 4.3	Configuration of Operand Cache (SH7750R)	101
Figure 4.4	Configuration of Write-Back Buffer	105
Figure 4.5	Configuration of Write-Through Buffer.....	105
Figure 4.6	Configuration of Instruction Cache (SH7750, SH7750S)	109
Figure 4.7	Configuration of Instruction Cache (SH7750R).....	110

Figure 4.8	Memory-Mapped IC Address Array	113
Figure 4.9	Memory-Mapped IC Data Array	114
Figure 4.10	Memory-Mapped OC Address Array	115
Figure 4.11	Memory-Mapped OC Data Array	116
Figure 4.12	Memory-Mapped IC Address Array	118
Figure 4.13	Memory-Mapped IC Data Array	119
Figure 4.14	Memory-Mapped OC Address Array	120
Figure 4.15	Memory-Mapped OC Data Array	121
Figure 4.16	Store Queue Configuration.....	122
Figure 5.1	Register Bit Configurations.....	128
Figure 5.2	Instruction Execution and Exception Handling.....	133
Figure 5.3	Example of General Exception Acceptance Order.....	134
Figure 6.1	Format of Single-Precision Floating-Point Number.....	161
Figure 6.2	Format of Double-Precision Floating-Point Number	162
Figure 6.3	Single-Precision NaN Bit Pattern	164
Figure 6.4	Floating-Point Registers	166
Figure 8.1	Basic Pipelines	194
Figure 8.2	Instruction Execution Patterns.....	195
Figure 8.3	Examples of Pipelined Execution.....	207
Figure 9.1	STATUS Output in Power-On Reset	237
Figure 9.2	STATUS Output in Manual Reset.....	237
Figure 9.3	STATUS Output in Standby → Interrupt Sequence.....	238
Figure 9.4	STATUS Output in Standby → Power-On Reset Sequence	238
Figure 9.5	STATUS Output in Standby → Manual Reset Sequence.....	239
Figure 9.6	STATUS Output in Sleep → Interrupt Sequence.....	240
Figure 9.7	STATUS Output in Sleep → Power-On Reset Sequence.....	240
Figure 9.8	STATUS Output in Sleep → Manual Reset Sequence.....	241
Figure 9.9	STATUS Output in Deep Sleep → Interrupt Sequence	242
Figure 9.10	STATUS Output in Deep Sleep → Power-On Reset Sequence	242
Figure 9.11	STATUS Output in Deep Sleep → Manual Reset Sequence	243
Figure 9.12	Hardware Standby Mode Timing (When CA = Low in Normal Operation)....	244
Figure 9.13	Hardware Standby Mode Timing (When CA = Low in WDT Operation).....	245
Figure 9.14	Timing When Power Other than VDD-RTC is Off.....	246
Figure 9.15	Timing When VDD-RTC Power is Off → On.....	246
Figure 10.1 (1)	Block Diagram of CPG (SH7750, SH7750S)	249
Figure 10.1 (2)	Block Diagram of CPG (SH7750R).....	250
Figure 10.2	Block Diagram of WDT	259
Figure 10.3	Writing to WTCNT and WTCSR.....	263
Figure 10.4	Points for Attention when Using Crystal Resonator.....	265
Figure 10.5	Points for Attention when Using PLL Oscillator Circuit	266
Figure 11.1	Block Diagram of RTC	268
Figure 11.2	Examples of Time Setting Procedures	285
Figure 11.3	Examples of Time Reading Procedures	287

Figure 11.4	Example of Use of Alarm Function.....	288
Figure 11.5	Example of Crystal Oscillator Circuit Connection.....	290
Figure 12.1	Block Diagram of TMU	292
Figure 12.2	Example of Count Operation Setting Procedure	305
Figure 12.3	TCNT Auto-Reload Operation	305
Figure 12.4	Count Timing when Operating on Internal Clock	306
Figure 12.5	Count Timing when Operating on External Clock.....	306
Figure 12.6	Count Timing when Operating on On-Chip RTC Output Clock.....	307
Figure 12.7	Operation Timing when Using Input Capture Function	308
Figure 13.1	Block Diagram of BSC.....	313
Figure 13.2	Correspondence between Virtual Address Space and External Memory Space	319
Figure 13.3	External Memory Space Allocation	321
Figure 13.4	Example of $\overline{\text{RDY}}$ Sampling Timing at which BCR4 is Set (Two Wait Cycles are Inserted by WCR2).....	338
Figure 13.5	Writing to RTCSR, RTCNT, RTCOR, and RFCR.....	370
Figure 13.6	Basic Timing of SRAM Interface.....	388
Figure 13.7	Example of 64-Bit Data Width SRAM Connection	389
Figure 13.8	Example of 32-Bit Data Width SRAM Connection	390
Figure 13.9	Example of 16-Bit Data Width SRAM Connection	391
Figure 13.10	Example of 8-Bit Data Width SRAM Connection	392
Figure 13.11	SRAM Interface Wait Timing (Software Wait Only)	393
Figure 13.12	SRAM Interface Wait State Timing (Wait State Insertion by $\overline{\text{RDY}}$ Signal)	394
Figure 13.13	SRAM Interface Read-Strobe Negate Timing (AnS = 1, AnW = 4, AnH = 2) 395	
Figure 13.14	Example of DRAM Connection (64-Bit Data Width, Area 3)	396
Figure 13.15	Example of DRAM Connection (32-Bit Data Width, Area 3)	397
Figure 13.16	Example of DRAM Connection (16-Bit Data Width, Areas 2 and 3).....	398
Figure 13.17	Basic DRAM Access Timing	400
Figure 13.18	DRAM Wait State Timing	401
Figure 13.19	DRAM Burst Access Timing	402
Figure 13.20	DRAM Bus Cycle (EDO Mode, RCD = 0, AnW = 0, TPC = 1).....	403
Figure 13.21	Burst Access Timing in DRAM EDO Mode.....	404
Figure 13.22 (1)	DRAM Burst Bus Cycle, RAS Down Mode Start (Fast Page Mode, RCD = 0, AnW = 0)	405
Figure 13.22 (2)	DRAM Burst Bus Cycle, RAS Down Mode Continuation (Fast Page Mode, RCD = 0, AnW = 0)	406
Figure 13.22 (3)	DRAM Burst Bus Cycle, RAS Down Mode Start (EDO Mode, RCD = 0, AnW = 0)	407
Figure 13.22 (4)	DRAM Burst Bus Cycle, RAS Down Mode Continuation (EDO Mode, RCD = 0, AnW = 0)	408
Figure 13.23	CAS-Before-RAS Refresh Operation.....	409
Figure 13.24	DRAM CAS-Before-RAS Refresh Cycle Timing (TRAS = 0, TRC = 1).....	410
Figure 13.25	DRAM Self-Refresh Cycle Timing.....	412

Figure 13.26	Example of 64-Bit Data Width Synchronous DRAM Connection (Area 3)	414
Figure 13.27	Example of 32-Bit Data Width Synchronous DRAM Connection (Area 3)	415
Figure 13.28	Basic Timing for Synchronous DRAM Burst Read	417
Figure 13.29	Basic Timing for Synchronous DRAM Single Read.....	418
Figure 13.30	Basic Timing for Synchronous DRAM Burst Write	419
Figure 13.31	Basic Timing for Synchronous DRAM Single Write.....	421
Figure 13.32	Burst Read Timing	423
Figure 13.33	Burst Read Timing (RAS Down, Same Row Address).....	424
Figure 13.34	Burst Read Timing (RAS Down, Different Row Addresses).....	425
Figure 13.35	Burst Write Timing	426
Figure 13.36	Burst Write Timing (Same Row Address)	427
Figure 13.37	Burst Write Timing (Different Row Addresses)	428
Figure 13.38	Burst Read Cycle for Different Bank and Row Address Following Preceding Burst Read Cycle.....	430
Figure 13.39	Auto-Refresh Operation	432
Figure 13.40	Synchronous DRAM Auto-Refresh Timing.....	432
Figure 13.41	Synchronous DRAM Self-Refresh Timing	434
Figure 13.42 (1)	Synchronous DRAM Mode Write Timing (PALL)	436
Figure 13.42 (2)	Synchronous DRAM Mode Write Timing (Mode Register Set).....	437
Figure 13.43	Basic Timing of Synchronous DRAM Burst Read (Burst Length = 4).....	438
Figure 13.44	Basic Timing of a Burst Write to Synchronous DRAM.....	440
Figure 13.45	Example of the Connection of Synchronous DRAM with 64-bit Bus Width (256 Mbits).....	441
Figure 13.46	Burst ROM Basic Access Timing	442
Figure 13.47	Burst ROM Wait Access Timing	443
Figure 13.48	Burst ROM Wait Access Timing	444
Figure 13.49	Example of PCMCIA Interface.....	448
Figure 13.50	Basic Timing for PCMCIA Memory Card Interface.....	449
Figure 13.51	Wait Timing for PCMCIA Memory Card Interface.....	450
Figure 13.52	PCMCIA Space Allocation	451
Figure 13.53	Basic Timing for PCMCIA I/O Card Interface	452
Figure 13.54	Wait Timing for PCMCIA I/O Card Interface	453
Figure 13.55	Dynamic Bus Sizing Timing for PCMCIA I/O Card Interface	454
Figure 13.56	Example of 64-Bit Data Width MPX Connection.....	456
Figure 13.57	MPX Interface Timing 1 (Single Read Cycle, AnW = 0, No External Wait, Bus Width: 64 Bits)	457
Figure 13.58	MPX Interface Timing 2 (Single Read, AnW = 0, One External Wait Inserted, Bus Width: 64 Bits).....	458
Figure 13.59	MPX Interface Timing 3 (Single Write Cycle, AnW = 0, No Wait, Bus Width: 64 Bits).....	459
Figure 13.60	MPX Interface Timing 4 (Single Write, AnW = 1, One External Wait Inserted, Bus Width: 64 Bits)....	460

Figure 13.61	MPX Interface Timing 5 (Burst Read Cycle, AnW = 0, No External Wait, Bus Width: 64 Bits, Transfer Data Size: 32 Bytes)	461
Figure 13.62	MPX Interface Timing 6 (Burst Read Cycle, AnW = 0, External Wait Control, Bus Width: 64 Bits, Transfer Data Size: 32 Bytes)	462
Figure 13.63	MPX Interface Timing 7 (Burst Write Cycle, AnW = 0, No External Wait, Bus Width: 64 Bits, Transfer Data Size: 32 Bytes)	463
Figure 13.64	MPX Interface Timing 8 (Burst Write Cycle, AnW = 1, External Wait Control, Bus Width: 64 Bits, Transfer Data Size: 32 Bytes)	464
Figure 13.65	MPX Interface Timing 1 (Burst Read Cycle, AnW = 0, No External Wait, Bus Width: 32 Bits, Transfer Data Size: 64 Bytes)	465
Figure 13.66	MPX Interface Timing 2 (Burst Read Cycle, AnW = 0, One External Wait Inserted, Bus Width: 32 Bits, Transfer Data Size: 64 Bytes)	466
Figure 13.67	MPX Interface Timing 3 (Burst Write Cycle, AnW = 0, No External Wait, Bus Width: 32 Bits, Transfer Data Size: 64 Bytes)	467
Figure 13.68	MPX Interface Timing 4 (Burst Write Cycle, AnW = 1, One External Wait Inserted, Bus Width: 32 Bits, Transfer Data Size: 64 Bytes)	468
Figure 13.69	MPX Interface Timing 5 (Burst Read Cycle, AnW = 0, No External Wait, Bus Width: 32 Bits, Transfer Data Size: 32 Bytes)	469
Figure 13.70	MPX Interface Timing 6 (Burst Read Cycle, AnW = 0, External Wait Control, Bus Width: 32 Bits, Transfer Data Size: 32 Bytes)	470
Figure 13.71	MPX Interface Timing 7 (Burst Write Cycle, AnW = 0, No External Wait, Bus Width: 32 Bits, Transfer Data Size: 32 Bytes)	471
Figure 13.72	MPX Interface Timing 8 (Burst Write Cycle, AnW = 1, External Wait Control, Bus Width: 32 Bits, Transfer Data Size: 32 Bytes)	472
Figure 13.73	Example of 64-Bit Data Width Byte Control SRAM.....	474
Figure 13.74	Byte Control SRAM Basic Read Cycle (No Wait)	475
Figure 13.75	Byte Control SRAM Basic Read Cycle (One Internal Wait Cycle)	476
Figure 13.76	Byte Control SRAM Basic Read Cycle (One Internal Wait + One External Wait)	477
Figure 13.77	Waits between Access Cycles	479
Figure 13.78	Arbitration Sequence.....	482

Figure 14.1	Block Diagram of DMAC	492
Figure 14.2	DMAC Transfer Flowchart	511
Figure 14.3	Round Robin Mode	516
Figure 14.4	Example of Changes in Priority Order in Round Robin Mode.....	517
Figure 14.5	Data Flow in Single Address Mode.....	519
Figure 14.6	DMA Transfer Timing in Single Address Mode.....	520
Figure 14.7	Operation in Dual Address Mode.....	521
Figure 14.8	Example of Transfer Timing in Dual Address Mode	522
Figure 14.9	Example of DMA Transfer in Cycle Steal Mode	523
Figure 14.10	Example of DMA Transfer in Burst Mode.....	523
Figure 14.11	Bus Handling with Two DMAC Channels Operating.....	527
Figure 14.12	Dual Address Mode/Cycle Steal Mode External Bus → External Bus/ $\overline{\text{DREQ}}$ (Level Detection), DACK (Read Cycle).....	530
Figure 14.13	Dual Address Mode/Cycle Steal Mode External Bus → External Bus/ $\overline{\text{DREQ}}$ (Edge Detection), DACK (Read Cycle)	531
Figure 14.14	Dual Address Mode/Burst Mode External Bus → External Bus/ $\overline{\text{DREQ}}$ (Level Detection), DACK (Read Cycle).....	532
Figure 14.15	Dual Address Mode/Burst Mode External Bus → External Bus/ $\overline{\text{DREQ}}$ (Edge Detection), DACK (Read Cycle)	533
Figure 14.16	Dual Address Mode/Cycle Steal Mode On-Chip SCI (Level Detection) → External Bus	534
Figure 14.17	Dual Address Mode/Cycle Steal Mode External Bus → On-Chip SCI (Level Detection).....	535
Figure 14.18	Single Address Mode/Cycle Steal Mode External Bus → External Bus/ $\overline{\text{DREQ}}$ (Level Detection).....	536
Figure 14.19	Single Address Mode/Cycle Steal Mode External Bus → External Bus/ $\overline{\text{DREQ}}$ (Edge Detection).....	537
Figure 14.20	Single Address Mode/Burst Mode External Bus → External Bus/ $\overline{\text{DREQ}}$ (Level Detection).....	538
Figure 14.21	Single Address Mode/Burst Mode External Bus → External Bus/ $\overline{\text{DREQ}}$ (Edge Detection).....	539
Figure 14.22	Single Address Mode/Burst Mode External Bus → External Bus/ $\overline{\text{DREQ}}$ (Level Detection)/32-Byte Block Transfer (Bus Width: 64 Bits, SDRAM: Row Hit Write).....	540
Figure 14.23	On-Demand Transfer Mode Block Diagram	545
Figure 14.24	System Configuration in On-Demand Data Transfer Mode.....	547
Figure 14.25	Data Transfer Request Format	548
Figure 14.26	Single Address Mode: Synchronous DRAM → External Device Longword Transfer SDRAM auto-precharge Read bus cycle, burst (RCD[1:0] = 01, CAS latency = 3, TPC[2:0] = 001).....	551
Figure 14.27	Single Address Mode: External Device → Synchronous DRAM Longword Transfer SDRAM auto-precharge Write bus cycle, burst (RCD[1:0] = 01, TRWL[2:0] = 101, TPC[2:0] = 001).....	552

Figure 14.28	Dual Address Mode/Synchronous DRAM → SRAM Longword Transfer.....	553
Figure 14.29	Single Address Mode/Burst Mode/External Bus → External Device 32-Byte Block Transfer/Channel 0 On-Demand Data Transfer	554
Figure 14.30	Single Address Mode/Burst Mode/External Device → External Bus 32-Byte Block Transfer/Channel 0 On-Demand Data Transfer	554
Figure 14.31	Single Address Mode/Burst Mode/External Bus → External Device 32-Bit Transfer/Channel 0 On-Demand Data Transfer	555
Figure 14.32	Single Address Mode/Burst Mode/External Device → External Bus 32-Bit Transfer/Channel 0 On-Demand Data Transfer	556
Figure 14.33	Handshake Protocol Using Data Bus (Channel 0 On-Demand Data Transfer)	557
Figure 14.34	Handshake Protocol without Use of Data Bus (Channel 0 On-Demand Data Transfer).....	558
Figure 14.35	Read from Synchronous DRAM Precharge Bank.....	559
Figure 14.36	Read from Synchronous DRAM Non-Precharge Bank (Row Miss).....	559
Figure 14.37	Read from Synchronous DRAM (Row Hit).....	560
Figure 14.38	Write to Synchronous DRAM Precharge Bank.....	560
Figure 14.39	Write to Synchronous DRAM Non-Precharge Bank (Row Miss).....	561
Figure 14.40	Write to Synchronous DRAM (Row Hit).....	561
Figure 14.41	Single Address Mode/Burst Mode/External Bus → External Device 32-Byte Block Transfer/Channel 0 On-Demand Data Transfer.....	562
Figure 14.42	DDT Mode Setting.....	563
Figure 14.43	Single Address Mode/Burst Mode/Edge Detection/ External Device → External Bus Data Transfer	563
Figure 14.44	Single Address Mode/Burst Mode/Level Detection/ External Bus → External Device Data Transfer	564
Figure 14.45	Single Address Mode/Burst Mode/Edge Detection/Byte, Word, Longword, Quadword/External Bus → External Device Data Transfer.....	564
Figure 14.46	Single Address Mode/Burst Mode/Edge Detection/Byte, Word, Longword, Quadword/External Device → External Bus Data Transfer.....	565
Figure 14.47	Single Address Mode/Burst Mode/32-Byte Block Transfer/DMA Transfer Request to Channels 1–3 Using Data Bus	566
Figure 14.48	Single Address Mode/Burst Mode/32-Byte Block Transfer/ External Bus → External Device Data Transfer/ Direct Data Transfer Request to Channel 2 without Using Data Bus	567
Figure 14.49	Single Address Mode/Burst Mode/External Bus → External Device Data Transfer/Direct Data Transfer Request to Channel 2	568
Figure 14.50	Single Address Mode/Burst Mode/External Device → External Bus Data Transfer/Direct Data Transfer Request to Channel 2	569
Figure 14.51	Single Address Mode/Burst Mode/External Bus → External Device Data Transfer (Active Bank Address)/Direct Data Transfer Request to Channel 2..	570
Figure 14.52	Single Address Mode/Burst Mode/External Device → External Bus Data Transfer (Active Bank Address)/Direct Data Transfer Request to Channel 2..	571
Figure 14.53	Block Diagram of the DMAC	574

Figure 14.54	DTR Format (Transfer Request Format) (SH7750R).....	584
Figure 14.55	Single Address Mode/Burst Mode/External Bus → External Device 32-Byte Block Transfer/Channel 0 On-Demand Data Transfer	589
Figure 14.56	Single Address Mode/Burst Mode/External Bus → External Device/ 32-Byte Block Transfer/On-Demand Data Transfer on Channel 4	590
Figure 15.1	Block Diagram of SCI.....	595
Figure 15.2	MD0/SCK Pin	611
Figure 15.3	MD7/TxD Pin.....	612
Figure 15.4	RxD Pin	612
Figure 15.5	Data Format in Asynchronous Communication (Example with 8-Bit Data, Parity, Two Stop Bits).....	623
Figure 15.6	Relation between Output Clock and Transfer Data Phase (Asynchronous Mode).....	625
Figure 15.7	Sample SCI Initialization Flowchart	626
Figure 15.8	Sample Serial Transmission Flowchart	627
Figure 15.9	Example of Transmit Operation in Asynchronous Mode (Example with 8-Bit Data, Parity, One Stop Bit)	629
Figure 15.10	Sample Serial Reception Flowchart (1).....	630
Figure 15.10	Sample Serial Reception Flowchart (2).....	631
Figure 15.11	Example of SCI Receive Operation (Example with 8-Bit Data, Parity, One Stop Bit)	633
Figure 15.12	Example of Inter-Processor Communication Using Multiprocessor Format (Transmission of Data H'AA to Receiving Station A)	635
Figure 15.13	Sample Multiprocessor Serial Transmission Flowchart	636
Figure 15.14	Example of SCI Transmit Operation (Example with 8-Bit Data, Multiprocessor Bit, One Stop Bit).....	638
Figure 15.15	Sample Multiprocessor Serial Reception Flowchart (1).....	639
Figure 15.15	Sample Multiprocessor Serial Reception Flowchart (2).....	640
Figure 15.16	Example of SCI Receive Operation (Example with 8-Bit Data, Multiprocessor Bit, One Stop Bit).....	641
Figure 15.17	Data Format in Synchronous Communication	642
Figure 15.18	Sample SCI Initialization Flowchart	644
Figure 15.19	Sample Serial Transmission Flowchart	645
Figure 15.20	Example of SCI Transmit Operation	646
Figure 15.21	Sample Serial Reception Flowchart (1).....	647
Figure 15.21	Sample Serial Reception Flowchart (2).....	648
Figure 15.22	Example of SCI Receive Operation	649
Figure 15.23	Sample Flowchart for Serial Data Transmission and Reception	650
Figure 15.24	Receive Data Sampling Timing in Asynchronous Mode	654
Figure 15.25	Example of Synchronous Transmission by DMAC	655
Figure 16.1	Block Diagram of SCIF.....	659
Figure 16.2	MD8/RTS2 Pin.....	681
Figure 16.3	CTS2 Pin	682

Figure 16.4	MD1/TxD2 Pin.....	683
Figure 16.5	MD2/RxD2 Pin	683
Figure 16.6	Sample SCIF Initialization Flowchart.....	689
Figure 16.7	Sample Serial Transmission Flowchart.....	690
Figure 16.8	Example of Transmit Operation (Example with 8-Bit Data, Parity, One Stop Bit).....	692
Figure 16.9	Example of Operation Using Modem Control ($\overline{\text{CTS2}}$).....	692
Figure 16.10	Sample Serial Reception Flowchart (1).....	693
Figure 16.10	Sample Serial Reception Flowchart (2).....	694
Figure 16.11	Example of SCIF Receive Operation (Example with 8-Bit Data, Parity, One Stop Bit).....	696
Figure 16.12	Example of Operation Using Modem Control ($\overline{\text{RTS2}}$).....	696
Figure 16.13	Receive Data Sampling Timing in Asynchronous Mode	699
Figure 16.14	Overrun Error Flag	701
Figure 17.1	Block Diagram of Smart Card Interface.....	704
Figure 17.2	Schematic Diagram of Smart Card Interface Pin Connections.....	711
Figure 17.3	Smart Card Interface Data Format	712
Figure 17.4	TEND Generation Timing.....	714
Figure 17.5	Sample Start Character Waveforms	715
Figure 17.6	Difference in Clock Output According to GM Bit Setting.....	717
Figure 17.7	Sample Initialization Flowchart	719
Figure 17.8	Sample Transmission Processing Flowchart.....	721
Figure 17.9	Sample Reception Processing Flowchart	723
Figure 17.10	Receive Data Sampling Timing in Smart Card Mode.....	725
Figure 17.11	Retransfer Operation in SCI Receive Mode.....	726
Figure 17.12	Retransfer Operation in SCI Transmit Mode	727
Figure 17.13	Procedure for Stopping and Restarting the Clock	728
Figure 18.1	16-Bit Port.....	732
Figure 18.2	4-Bit Port.....	733
Figure 18.3	MD0/SCK Pin	734
Figure 18.4	MD7/TxD Pin.....	735
Figure 18.5	RxD Pin.....	735
Figure 18.6	MD1/TxD2 Pin.....	736
Figure 18.7	MD2/RxD2 Pin	736
Figure 18.8	$\overline{\text{CTS2}}$ Pin	737
Figure 18.9	MD8/ $\overline{\text{RTS2}}$ Pin.....	738
Figure 19.1	Block Diagram of INTC.....	752
Figure 19.2	Example of IRL Interrupt Connection.....	755
Figure 19.3	Interrupt Operation Flowchart.....	769
Figure 20.1	Block Diagram of User Break Controller.....	774
Figure 20.2	User Break Debug Support Function Flowchart	794
Figure 21.1	Block Diagram of H-UDI Circuit.....	800
Figure 21.2	TAP Control State Transition Diagram.....	810

Figure 21.3	H-UDI Reset.....	811
Figure 22.1	EXTAL Clock Input Timing	862
Figure 22.2(1)	CKIO Clock Output Timing.....	862
Figure 22.2(2)	CKIO Clock Output Timing.....	862
Figure 22.3	Power-On Oscillation Settling Time	863
Figure 22.4	Standby Return Oscillation Settling Time (Return by $\overline{\text{RESET}}$)	863
Figure 22.5	Power-On Oscillation Settling Time	864
Figure 22.6	Standby Return Oscillation Settling Time (Return by $\overline{\text{RESET}}$)	864
Figure 22.7	Standby Return Oscillation Settling Time (Return by $\overline{\text{NMI}}$).....	865
Figure 22.8	Standby Return Oscillation Settling Time (Return by $\overline{\text{IRL3-IRL0}}$).....	865
Figure 22.9	PLL Synchronization Settling Time in Case of $\overline{\text{RESET}}$ or $\overline{\text{NMI}}$ Interrupt.....	866
Figure 22.10	PLL Synchronization Settling Time in Case of $\overline{\text{IRL}}$ Interrupt.....	866
Figure 22.11	Manual Reset Input Timing.....	867
Figure 22.12	Mode Input Timing	867
Figure 22.13	Control Signal Timing.....	870
Figure 22.14	Pin Drive Timing for Standby Mode.....	870
Figure 22.15	SRAM Bus Cycle: Basic Bus Cycle (No Wait).....	877
Figure 22.16	SRAM Bus Cycle: Basic Bus Cycle (One Internal Wait)	878
Figure 22.17	SRAM Bus Cycle: Basic Bus Cycle (One Internal Wait + One External Wait).....	879
Figure 22.18	SRAM Bus Cycle: Basic Bus Cycle (No Wait, Address Setup/Hold Time Insertion, AnS = 1, AnH = 1)	880
Figure 22.19	Burst ROM Bus Cycle (No Wait)	881
Figure 22.20	Burst ROM Bus Cycle (1st Data: One Internal Wait + One External Wait; 2nd/3rd/4th Data: One Internal Wait).....	882
Figure 22.21	Burst ROM Bus Cycle (No Wait, Address Setup/Hold Time Insertion, AnS = 1, AnH = 1)	883
Figure 22.22	Burst ROM Bus Cycle (One Internal Wait + One External Wait)	884
Figure 22.23	Synchronous DRAM Auto-Precharge Read Bus Cycle: Single (RCD[1:0] = 01, CAS Latency = 3, TPC[2:0] = 011).....	885
Figure 22.24	Synchronous DRAM Auto-Precharge Read Bus Cycle: Burst (RCD[1:0] = 01, CAS Latency = 3, TPC[2:0] = 011)	886
Figure 22.25	Synchronous DRAM Normal Read Bus Cycle: ACT + READ Commands, Burst (RCD[1:0] = 01, CAS Latency = 3).....	887
Figure 22.26	Synchronous DRAM Normal Read Bus Cycle: PRE + ACT + READ Commands, Burst (RCD[1:0] = 01, TPC[2:0] = 001, CAS Latency = 3).....	888
Figure 22.27	Synchronous DRAM Normal Read Bus Cycle: READ Command, Burst (CAS Latency = 3)	889
Figure 22.28	Synchronous DRAM Auto-Precharge Write Bus Cycle: Single (RCD[1:0] = 01, TPC[2:0] = 001, TRWL[2:0] = 010).....	890
Figure 22.29	Synchronous DRAM Auto-Precharge Write Bus Cycle: Burst (RCD[1:0] = 01, TPC[2:0] = 001, TRWL[2:0] = 010)	891

Figure 22.30	Synchronous DRAM Normal Write Bus Cycle: ACT + WRITE Commands, Burst (RCD[1:0] = 01, TRWL[2:0] = 010)	892
Figure 22.31	Synchronous DRAM Normal Write Bus Cycle: PRE + ACT + WRITE Commands, Burst (RCD[1:0] = 01, TPC[2:0] = 001, TRWL[2:0] = 010)	893
Figure 22.32	Synchronous DRAM Normal Write Bus Cycle: WRITE Command, Burst (TRWL[2:0] = 010)	894
Figure 22.33	Synchronous DRAM Bus Cycle: Synchronous DRAM Precharge Command (TPC[2:0] = 001).....	895
Figure 22.34	Synchronous DRAM Bus Cycle: Synchronous DRAM Auto-Refresh (TRAS = 1, TRC[2:0] = 001).....	896
Figure 22.35	Synchronous DRAM Bus Cycle: Synchronous DRAM Self-Refresh (TRC[2:0] = 001).....	897
Figure 22.36 (a)	Synchronous DRAM Bus Cycle: Synchronous DRAM Mode Register Setting (PALL).....	898
Figure 22.36 (b)	Synchronous DRAM Bus Cycle: Synchronous DRAM Mode Register Setting (SET).....	899
Figure 22.37	DRAM Bus Cycles (1) RCD[1:0] = 00, AnW[2:0] = 000, TPC[2:0] = 001 (2) RCD[1:0] = 01, AnW[2:0] = 001, TPC[2:0] = 010	900
Figure 22.38	DRAM Bus Cycle (EDO Mode, RCD[1:0] = 00, AnW[2:0] = 000, TPC[2:0] = 001)	901
Figure 22.39	DRAM Burst Bus Cycle (EDO Mode, RCD[1:0] = 00, AnW[2:0] = 000, TPC[2:0] = 001)	902
Figure 22.40	DRAM Burst Bus Cycle (EDO Mode, RCD[1:0] = 01, AnW[2:0] = 001, TPC[2:0] = 001)	903
Figure 22.41	DRAM Burst Bus Cycle (EDO Mode, RCD[1:0] = 01, AnW[2:0] = 001, TPC[2:0] = 001, 2-Cycle CAS Negate Pulse Width)	904
Figure 22.42	DRAM Burst Bus Cycle: RAS Down Mode State (EDO Mode, RCD[1:0] = 00, AnW[2:0] = 000).....	905
Figure 22.43	DRAM Burst Bus Cycle: RAS Down Mode Continuation (EDO Mode, RCD[1:0] = 00, AnW[2:0] = 000).....	906
Figure 22.44	DRAM Burst Bus Cycle (Fast Page Mode, RCD[1:0] = 00, AnW[2:0] = 000, TPC[2:0] = 001).....	907
Figure 22.45	DRAM Burst Bus Cycle (Fast Page Mode, RCD[1:0] = 01, AnW[2:0] = 001, TPC[2:0] = 001).....	908
Figure 22.46	DRAM Burst Bus Cycle (Fast Page Mode, RCD[1:0] = 01, AnW[2:0] = 001, TPC[2:0] = 001, 2-Cycle CAS Negate Pulse Width).....	909
Figure 22.47	DRAM Burst Bus Cycle: RAS Down Mode State (Fast Page Mode, RCD[1:0] = 00, AnW[2:0] = 000).....	910
Figure 22.48	DRAM Burst Bus Cycle: RAS Down Mode Continuation (Fast Page Mode, RCD[1:0] = 00, AnW[2:0] = 000).....	911

Figure 22.49	DRAM Bus Cycle: DRAM CAS-Before-RAS Refresh (TRAS[2:0] = 000, TRC[2:0] = 001)	912
Figure 22.50	DRAM Bus Cycle: DRAM CAS-Before-RAS Refresh (TRAS[2:0] = 001, TRC[2:0] = 001)	913
Figure 22.51	DRAM Bus Cycle: DRAM Self-Refresh (TRC[2:0] = 001)	914
Figure 22.52	PCMCIA Memory Bus Cycle (1) TED[2:0] = 000, TEH[2:0] = 000, No Wait (2) TED[2:0] = 001, TEH[2:0] = 001, One Internal Wait + One External Wait	915
Figure 22.53	PCMCIA I/O Bus Cycle (1) TED[2:0] = 000, TEH[2:0] = 000, No Wait (2) TED[2:0] = 001, TEH[2:0] = 001, One Internal Wait + One External Wait	916
Figure 22.54	PCMCIA I/O Bus Cycle (TED[2:0] = 001, TEH[2:0] = 001, One Internal Wait, Bus Sizing)	917
Figure 22.55	MPX Basic Bus Cycle: Read (1) 1st Data (One Internal Wait) (2) 1st Data (One Internal Wait + One External Wait)	918
Figure 22.56	MPX Basic Bus Cycle: Write (1) 1st Data (No Wait) (2) 1st Data (One Internal Wait) (3) 1st Data (One Internal Wait + One External Wait)	919
Figure 22.57	MPX Bus Cycle: Burst Read (1) 1st Data (One Internal Wait), 2nd to 8th Data (One Internal Wait) (2) 1st Data (One Internal Wait), 2nd to 4th Data (One Internal Wait + One External Wait)	920
Figure 22.58	MPX Bus Cycle: Burst Write (1) No Internal Wait (2) 1st Data (One Internal Wait), 2nd to 4th Data (No Internal Wait + External Wait Control)	921
Figure 22.59	Memory Byte Control SRAM Bus Cycles (1) Basic Read Cycle (No Wait) (2) Basic Read Cycle (One Internal Wait) (3) Basic Read Cycle (One Internal Wait + One External Wait)	922
Figure 22.60	Memory Byte Control SRAM Bus Cycle: Basic Read Cycle (No Wait, Address Setup/Hold Time Insertion, AnS[0] = 1, AnH[1:0] = 01) ..	923
Figure 22.61	TCLK Input Timing	930
Figure 22.62	RTC Oscillation Settling Time at Power-On	930
Figure 22.63	SCK Input Clock Timing	930
Figure 22.64	SCI I/O Synchronous Mode Clock Timing	931
Figure 22.65	I/O Port Input/Output Timing	931
Figure 22.66(a)	$\overline{\text{DREQ}}/\overline{\text{DRAK}}$ Timing	931
Figure 22.66(b)	$\overline{\text{DBREQ}}/\overline{\text{TR}}$ Input Timing and $\overline{\text{BAVL}}$ Output Timing	932

Figure 22.67	TCK Input Timing.....	932
Figure 22.68	RESET Hold Timing.....	932
Figure 22.69	H-UDI Data Transfer Timing.....	933
Figure 22.70	Pin Break Timing.....	933
Figure 22.71	NMI Input Timing.....	933
Figure 22.72	Output Load Circuit.....	934
Figure 22.73	Load Capacitance vs. Delay Time.....	935
Figure B.1	Package Dimensions (256-Pin BGA) (SH7750 and SH7750S).....	943
Figure B.2	Package Dimensions (256-Pin BGA) (SH7750R Only).....	944
Figure B.3	Package Dimensions (208-Pin QFP).....	945
Figure B.4	Package Dimensions (264-Pin CSP).....	946
Figure D.1	CKIO2ENB Pin Configuration.....	949
Figure G.1	Instruction Prefetch.....	977
Figure H.1	Power-On and Power-Off Procedures.....	978

Tables

Table 1.1	SH7750 Series Features.....	1
Table 1.2	Pin Functions.....	13
Table 1.3	Pin Functions.....	23
Table 1.4	Pin Functions.....	31
Table 2.1	Initial Register Values.....	43
Table 3.1	MMU Registers.....	60
Table 4.1	Cache Features (SH7750, SH7750S).....	95
Table 4.2	Cache Features (SH7750R).....	95
Table 4.3	Features of Store Queues.....	96
Table 4.4	Cache Control Registers.....	96
Table 5.1	Exception-Related Registers.....	127
Table 5.2	Exceptions.....	130
Table 5.3	Types of Reset.....	137
Table 6.1	Floating-Point Number Formats and Parameters.....	162
Table 6.2	Floating-Point Ranges.....	163
Table 7.1	Addressing Modes and Effective Addresses.....	175
Table 7.2	Notation Used in Instruction List.....	179
Table 7.3	Fixed-Point Transfer Instructions.....	180
Table 7.4	Arithmetic Operation Instructions.....	182
Table 7.5	Logic Operation Instructions.....	184
Table 7.6	Shift Instructions.....	185
Table 7.7	Branch Instructions.....	186
Table 7.8	System Control Instructions.....	187
Table 7.9	Floating-Point Single-Precision Instructions.....	189
Table 7.10	Floating-Point Double-Precision Instructions.....	190
Table 7.11	Floating-Point Control Instructions.....	190

Table 7.12	Floating-Point Graphics Acceleration Instructions	191
Table 8.1	Instruction Groups.....	200
Table 8.2	Parallel-Executability	204
Table 8.3	Execution Cycles.....	211
Table 9.1	Status of CPU and Peripheral Modules in Power-Down Modes	222
Table 9.2	Power-Down Mode Registers	223
Table 9.3	Power-Down Mode Pins	223
Table 9.4	State of Registers in Standby Mode	231
Table 10.1	CPG Pins	252
Table 10.2	CPG Register.....	252
Table 10.3 (1)	Clock Operating Modes (SH7750, SH7750S).....	253
Table 10.3 (2)	Clock Operating Modes (SH7750R)	253
Table 10.4	FRQCR Settings and Internal Clock Frequencies	254
Table 10.5	WDT Registers.....	260
Table 11.1	RTC Pins	269
Table 11.2	RTC Registers	269
Table 11.3	Crystal Oscillator Circuit Constants (Recommended Values)	289
Table 12.1	TMU Pins	292
Table 12.2	TMU Registers	293
Table 12.3	TMU Interrupt Sources	309
Table 13.1	BSC Pins	314
Table 13.2	BSC Registers	318
Table 13.3	External Memory Space Map.....	320
Table 13.4	PCMCIA Interface Features.....	322
Table 13.5	PCMCIA Support Interfaces	323
Table 13.6	MPX Interface is Selected (Areas 0 to 6).....	350
Table 13.7 (1)	64-Bit External Device/Big-Endian Access and Data Alignment.....	372
Table 13.7 (2)	64-Bit External Device/Big-Endian Access and Data Alignment.....	373
Table 13.8	32-Bit External Device/Big-Endian Access and Data Alignment.....	374
Table 13.9	16-Bit External Device/Big-Endian Access and Data Alignment.....	375
Table 13.10	8-Bit External Device/Big-Endian Access and Data Alignment.....	376
Table 13.11 (1)	64-Bit External Device/Little-Endian Access and Data Alignment.....	377
Table 13.11 (2)	64-Bit External Device/Little-Endian Access and Data Alignment.....	378
Table 13.12	32-Bit External Device/Little-Endian Access and Data Alignment.....	379
Table 13.13	16-Bit External Device/Little-Endian Access and Data Alignment.....	380
Table 13.14	8-Bit External Device/Little-Endian Access and Data Alignment.....	381
Table 13.15	Relationship between AMXEXT and AMX2–0 Bits and Address Multiplexing.....	399
Table 13.16	Example of Correspondence between SH7750 Series and Synchronous DRAM Address Pins (64-Bit Bus Width, AMX2–AMX0 = 011, AMXEXT = 0)	416
Table 13.17	Cycles for which Pipeline Access is Possible	431
Table 13.18	Relationship between Address and CE when Using PCMCIA Interface	446
Table 14.1	DMAC Pins.....	493

Table 14.2	DMAC Pins in DDT Mode	494
Table 14.3	DMAC Registers	494
Table 14.4	Selecting External Request Mode with RS Bits	513
Table 14.5	Selecting On-Chip Peripheral Module Request Mode with RS Bits	514
Table 14.6	Supported DMA Transfers	518
Table 14.7	Relationship between DMA Transfer Type, Request Mode, and Bus Mode	524
Table 14.8	External Request Transfer Sources and Destinations in Normal Mode	525
Table 14.9	External Request Transfer Sources and Destinations in DDT Mode	526
Table 14.10	Conditions for Transfer between External Memory and an External Device with DACK, and Corresponding Register Settings	544
Table 14.11	DMAC Pins	575
Table 14.12	DMAC Pins in DDT Mode	576
Table 14.13	Register Configuration	577
Table 14.14	Channel Selection by DTR Format (DMAOR.DBL = 1)	584
Table 14.15	Notification of Transfer Channel in Eight-Channel DDT Mode	587
Table 14.16	Function of $\overline{\text{BAVL}}$	587
Table 14.17	DTR Format for Clearing Request Queues	588
Table 14.18	DMAC Interrupt-Request Codes	589
Table 15.1	SCI Pins	596
Table 15.2	SCI Registers	596
Table 15.3	Examples of Bit Rates and SCBRR1 Settings in Asynchronous Mode	615
Table 15.4	Examples of Bit Rates and SCBRR1 Settings in Synchronous Mode	618
Table 15.5	Maximum Bit Rate for Various Frequencies with Baud Rate Generator (Asynchronous Mode)	619
Table 15.6	Maximum Bit Rate with External Clock Input (Asynchronous Mode)	620
Table 15.7	Maximum Bit Rate with External Clock Input (Synchronous Mode)	620
Table 15.8	SCSMR1 Settings for Serial Transfer Format Selection	622
Table 15.9	SCSMR1 and SCSCR1 Settings for SCI Clock Source Selection	622
Table 15.10	Serial Transfer Formats (Asynchronous Mode)	624
Table 15.11	Receive Error Conditions	632
Table 15.12	SCI Interrupt Sources	651
Table 15.13	SCSSR1 Status Flags and Transfer of Receive Data	652
Table 16.1	SCIF Pins	660
Table 16.2	SCIF Registers	661
Table 16.3	SCSMR2 Settings for Serial Transfer Format Selection	685
Table 16.4	SCSCR2 Settings for SCIF Clock Source Selection	686
Table 16.5	Serial Transmit/Receive Formats	687
Table 16.6	SCIF Interrupt Sources	697
Table 17.1	Smart Card Interface Pins	705
Table 17.2	Smart Card Interface Registers	705
Table 17.3	Smart Card Interface Register Settings	713
Table 17.4	Values of n and Corresponding CKS1 and CKS0 Settings	715
Table 17.5	Examples of Bit Rate B (bits/s) for Various SCBRR1 Settings (When n = 0)	716

Table 17.6	Examples of SCBRR1 Settings for Bit Rate B (bits/s) (When n = 0)	716
Table 17.7	Maximum Bit Rate at Various Frequencies (Smart Card Interface Mode)	716
Table 17.8	Register Settings and SCK Pin State	717
Table 17.9	Smart Card Mode Operating States and Interrupt Sources.....	724
Table 18.1	20-Bit General-Purpose I/O Port Pins	739
Table 18.2	SCI I/O Port Pins.....	740
Table 18.3	SCIF I/O Port Pins.....	740
Table 18.4	I/O Port Registers	741
Table 19.1	INTC Pins.....	753
Table 19.2	INTC Registers.....	753
Table 19.3	$\overline{IRL3}$ – $\overline{IRL0}$ Pins and Interrupt Levels.....	756
Table 19.4	SH7750 $\overline{IRL3}$ – $\overline{IRL0}$ Pins and Interrupt Levels (When IRLM = 1).....	757
Table 19.5	Interrupt Exception Handling Sources and Priority Order	759
Table 19.6	Interrupt Request Sources and IPRA–IPRD Registers	762
Table 19.7	Interrupt Request Sources and the Bits of the INTPRI00 Register	765
Table 19.8	Bit Assignments	767
Table 19.9	Interrupt Response Time	771
Table 20.1	UBC Registers.....	775
Table 21.1	H-UDI Pins.....	801
Table 21.2	H-UDI Registers.....	802
Table 21.3	Configuration of the Boundary Scan Register (1).....	807
Table 21.3	Configuration of the Boundary Scan Register (2).....	808
Table 21.3	Configuration of the Boundary Scan Register (3).....	809
Table 22.1	Absolute Maximum Ratings.....	813
Table 22.2	DC Characteristics (HD6417750RBP240).....	814
Table 22.3	DC Characteristics (HD6417750RF240)	816
Table 22.4	DC Characteristics (HD6417750RBP200).....	818
Table 22.5	DC Characteristics (HD6417750RF200)	820
Table 22.6	DC Characteristics (HD6417750SBP200)	822
Table 22.7	DC Characteristics (HD6417750SF200).....	824
Table 22.8	DC Characteristics (HD6417750BP200M).....	826
Table 22.9	DC Characteristics (HD6417750SF167).....	828
Table 22.10	DC Characteristics (HD6417750SF167I).....	830
Table 22.11	DC Characteristics (HD6417750F167)	832
Table 22.12	DC Characteristics (HD6417750F167I).....	834
Table 22.13	DC Characteristics (HD6417750SVF133).....	836
Table 22.14	DC Characteristics (HD6417750SVBT133)	838
Table 22.15	DC Characteristics (HD6417750VF128)	840
Table 22.16	Permissible Output Currents	841
Table 22.17	Clock Timing (HD6417750RBP240).....	842
Table 22.18	Clock Timing (HD6417750RF240)	842
Table 22.19	Clock Timing (HD6417750BP200M, HD6417750SBP200, HD6417750RBP200)	842

Table 22.20	Clock Timing (HD641775ORF200)	842
Table 22.21	Clock Timing (HD641775OSF200).....	842
Table 22.22	Clock Timing (HD641775OF167, HD641775OF167I, HD641775OSF167, HD641775OSF167I).....	843
Table 22.23	Clock Timing (HD641775SVF133, HD641775SVBT133)	843
Table 22.24	Clock Timing (HD641775VF128)	843
Table 22.25	Clock and Control Signal Timing (HD641775RBP240).....	844
Table 22.26	Clock and Control Signal Timing (HD641775ORF240)	846
Table 22.27	Clock and Control Signal Timing (HD641775RBP200).....	848
Table 22.28	Clock and Control Signal Timing (HD641775ORF200)	850
Table 22.29	Clock and Control Signal Timing (HD641775BP200M, HD641775SBP200).....	852
Table 22.30	Clock and Control Signal Timing (HD641775OSF200).....	854
Table 22.31	Clock and Control Signal Timing (HD641775OF167, HD641775OF167I, HD641775OSF167, HD641775OSF167I).....	856
Table 22.32	Clock and Control Signal Timing (HD641775SVF133, HD641775SVBT133).....	858
Table 22.33	Clock and Control Signal Timing (HD641775VF128)	860
Table 22.34	Control Signal Timing (1)	868
Table 22.34	Control Signal Timing (2)	869
Table 22.35	Bus Timing (1)	871
Table 22.35	Bus Timing (2)	873
Table 22.35	Bus Timing (3)	875
Table 22.36	Peripheral Module Signal Timing (1)	924
Table 22.36	Peripheral Module Signal Timing (2)	926
Table 22.36	Peripheral Module Signal Timing (3)	928
Table A.1	Address List	937
Table E.1	Pin States in Reset, Power-Down State, and Bus-Released State	951
Table I.1	SH7750 Series Product Code Lineup	979

Section 1 Overview

1.1 SH7750 Series (SH7750, SH7750S, SH7750R) Features

The SH7750 Series (SH7750, SH7750S, SH7750R) is a 32-bit RISC (reduced instruction set computer) microprocessor, featuring object code upward-compatibility with SH-1, SH-2, and SH-3 microcomputers. It includes an instruction cache, an operand cache with a choice of copy-back or write-through mode, and an MMU (memory management unit) with a 64-entry fully-associative unified TLB (translation lookaside buffer). The SH7750 and SH7750S have an 8-kbyte instruction cache and a 16-kbyte data cache. The SH7750R has a 16-kbyte instruction cache and a 32-kbyte data cache.

The SH7750 Series has an on-chip bus state controller (BSC) that allows connection to DRAM and synchronous DRAM. Its 16-bit fixed-length instruction set enables program code size to be reduced by almost 50% compared with 32-bit instructions.

The features of the SH7750 Series are summarized in table 1.1.

Table 1.1 SH7750 Series Features

Item	Features
LSI	<ul style="list-style-type: none">• Operating frequency: 240 MHz^{*1}, 200 MHz, 167 MHz^{*2 *3}, 133 MHz^{*2}, 128 MHz^{*3}• Performance<ul style="list-style-type: none">— 432 MIPS (240 MHz), 360 MIPS (200 MHz), 300 MIPS (167 MHz), 240 MIPS (133 MHz), 230 MIPS (128 MHz)— 1.7 GFLOPS (240 MHz), 1.4 GFLOPS (200 MHz), 1.2 GFLOPS (167 MHz), 0.9 GFLOPS (133 MHz, 128 MHz)• Superscalar architecture: Parallel execution of two instructions• Packages: 256-pin BGA, 208-pin QFP, 264-pin CSP^{*2}• External buses<ul style="list-style-type: none">— Separate 26-bit address and 64-bit data buses— External bus frequency of 1/2, 1/3, 1/4, 1/6, or 1/8 times internal bus frequency

Table 1.1 SH7750 Series Features (cont)

Item	Features
CPU	<ul style="list-style-type: none">• Original Hitachi SH architecture• 32-bit internal data bus• General register file:<ul style="list-style-type: none">— Sixteen 32-bit general registers (and eight 32-bit shadow registers)— Seven 32-bit control registers— Four 32-bit system registers• RISC-type instruction set (upward-compatible with SH Series)<ul style="list-style-type: none">— Fixed 16-bit instruction length for improved code efficiency— Load-store architecture— Delayed branch instructions— Conditional execution— C-based instruction set• Superscalar architecture (providing simultaneous execution of two instructions) including FPU• Instruction execution time: Maximum 2 instructions/cycle• Virtual address space: 4 Gbytes (448-Mbyte external memory space)• Space identifier ASIDs: 8 bits, 256 virtual address spaces• On-chip multiplier• Five-stage pipeline

Table 1.1 SH7750 Series Features (cont)

Item	Features
FPU	<ul style="list-style-type: none">• On-chip floating-point coprocessor• Supports single-precision (32 bits) and double-precision (64 bits)• Supports IEEE754-compliant data types and exceptions• Two rounding modes: Round to Nearest and Round to Zero• Handling of denormalized numbers: Truncation to zero or interrupt generation for compliance with IEEE754• Floating-point registers: 32 bits × 16 words × 2 banks (single-precision × 16 words or double-precision × 8 words) × 2 banks• 32-bit CPU-FPU floating-point communication register (FPUL)• Supports FMAC (multiply-and-accumulate) instruction• Supports FDIV (divide) and FSQRT (square root) instructions• Supports FLDI0/FLDI1 (load constant 0/1) instructions• Instruction execution times<ul style="list-style-type: none">— Latency (FMAC/FADD/FSUB/FMUL): 3 cycles (single-precision), 8 cycles (double-precision)— Pitch (FMAC/FADD/FSUB/FMUL): 1 cycle (single-precision), 6 cycles (double-precision)Note: FMAC is supported for single-precision only.• 3-D graphics instructions (single-precision only):<ul style="list-style-type: none">— 4-dimensional vector conversion and matrix operations (FTRV): 4 cycles (pitch), 7 cycles (latency)— 4-dimensional vector inner product (FIPR): 1 cycle (pitch), 4 cycles (latency)

Table 1.1 SH7750 Series Features (cont)

Item	Features
Clock pulse generator (CPG)	<ul style="list-style-type: none">• Choice of main clock:<ul style="list-style-type: none">— SH7750, SH7750S: 1/2, 1, 3, or 6 times EXTAL— SH7750R: 1, 6, or 12 times EXTAL• Clock modes:<ul style="list-style-type: none">— CPU frequency: 1, 1/2, 1/3, 1/4, 1/6, or 1/8 times main clock— Bus frequency: 1/2, 1/3, 1/4, 1/6, or 1/8 times main clock— Peripheral frequency: 1/2, 1/3, 1/4, 1/6, or 1/8 times main clock <p>Note: Maximum frequency varies with models.</p> <ul style="list-style-type: none">• Power-down modes<ul style="list-style-type: none">— Sleep mode— Standby mode— Module standby function• Single-channel watchdog timer
Memory management unit (MMU)	<ul style="list-style-type: none">• 4-Gbyte address space, 256 address space identifiers (8-bit ASIDs)• Single virtual mode and multiple virtual memory mode• Supports multiple page sizes: 1 kbyte, 4 kbytes, 64 kbytes, 1 Mbyte• 4-entry fully-associative TLB for instructions• 64-entry fully-associative TLB for instructions and operands• Supports software-controlled replacement and random-counter replacement algorithm• TLB contents can be accessed directly by address mapping

Table 1.1 SH7750 Series Features (cont)

Item	Features
Cache memory [SH7750, SH7750S]	<ul style="list-style-type: none">• Instruction cache (IC)<ul style="list-style-type: none">— 8 kbytes, direct mapping— 256 entries, 32-byte block length— Normal mode (8-kbyte cache)— Index mode• Operand cache (OC)<ul style="list-style-type: none">— 16 kbytes, direct mapping— 512 entries, 32-byte block length— Normal mode (16-kbyte cache)— Index mode— RAM mode (8-kbyte cache + 8-kbyte RAM)— Choice of write method (copy-back or write-through)• Single-stage copy-back buffer, single-stage write-through buffer• Cache memory contents can be accessed directly by address mapping (usable as on-chip memory)• Store queue (32 bytes × 2 entries)
Cache memory [SH7750R]	<ul style="list-style-type: none">• Instruction cache (IC)<ul style="list-style-type: none">— 16 kbytes, 2-way set associative— 256 entries/way, 32-byte block length— Cache-double-mode (16-kbyte cache)— Index mode— SH7750/SH7750S-compatible mode (8 kbytes, direct mapping)• Operand cache (OC)<ul style="list-style-type: none">— 32 kbytes, 2-way set associative— 512 entries/way, 32-byte block length— Cache-double-mode (32-kbyte cache)— Index mode— RAM mode (16-kbyte cache + 16-kbyte RAM)— SH7750/SH7750S-compatible mode (16 kbytes, direct mapping)• Single-stage copy-back buffer, single-stage write-through buffer• Cache memory contents can be accessed directly by address mapping (usable as on-chip memory)• Store queue (32 bytes × 2 entries)

Table 1.1 SH7750 Series Features (cont)

Item	Features
Interrupt controller (INTC)	<ul style="list-style-type: none">• Five independent external interrupts: NMI, IRL3 to IRL0• 15-level encoded external interrupts: IRL3 to IRL0• On-chip peripheral module interrupts: Priority level can be set for each module
User break controller (UBC)	<ul style="list-style-type: none">• Supports debugging by means of user break interrupts• Two break channels• Address, data value, access type, and data size can all be set as break conditions• Supports sequential break function
Bus state controller (BSC)	<ul style="list-style-type: none">• Supports external memory access<ul style="list-style-type: none">— 64/32/16/8-bit external data bus• External memory space divided into seven areas, each of up to 64 Mbytes, with the following parameters settable for each area:<ul style="list-style-type: none">— Bus size (8, 16, 32, or 64 bits)— Number of wait cycles (hardware wait function also supported)— Connection of DRAM, synchronous DRAM, and burst ROM possible by setting space type— Supports fast page mode and DRAM EDO— Supports PCMCIA interface— Chip select signals ($\overline{CS0}$ to $\overline{CS6}$) output for relevant areas• DRAM/synchronous DRAM refresh functions<ul style="list-style-type: none">— Programmable refresh interval— Supports CAS-before-RAS refresh mode and self-refresh mode• DRAM/synchronous DRAM burst access function• Big endian or little endian mode can be set

Table 1.1 SH7750 Series Features (cont)

Item	Features
Direct memory access controller (DMAC)	<ul style="list-style-type: none">• Physical address DMA controller:<ul style="list-style-type: none">— SH7750, SH7750S: 4-channel— SH7750R: 8-channel• Transfer data size: 8, 16, 32, or 64 bits, or 32 bytes• Address modes:<ul style="list-style-type: none">— Single address mode— Dual address mode• Transfer requests: External, on-chip module, or auto-requests• Bus modes: Cycle-steal or burst mode• Supports on-demand data transfer
Timer unit (TMU)	<ul style="list-style-type: none">• Auto-reload 32-bit timer:<ul style="list-style-type: none">— SH7750, SH7750S: 3-channel— SH7750R: 5-channel• Input capture function• Choice of seven counter input clocks
Realtime clock (RTC)	<ul style="list-style-type: none">• On-chip clock and calendar functions• Built-in 32 kHz crystal oscillator with maximum 1/256 second resolution (cycle interrupts)
Serial communication interface (SCI, SCIF)	<ul style="list-style-type: none">• Two full-duplex communication channels (SCI, SCIF)• Channel 1 (SCI):<ul style="list-style-type: none">— Choice of asynchronous mode or synchronous mode— Supports smart card interface• Channel 2 (SCIF):<ul style="list-style-type: none">— Supports asynchronous mode— Separate 16-byte FIFOs provided for transmitter and receiver

Table 1.1 SH7750 Series Features (cont)

Item	Features				
Product lineup	Abbreviation	Voltage (Internal)	Operating Frequency	Model No.	Package
Product lineup	SH7750	1.95 V	200 MHz	HD6417750BP200M	256-pin BGA
		1.8 V	167 MHz	HD6417750F167 HD6417750F167I	208-pin QFP
		1.5 V	128 MHz	HD6417750VF128	
	SH7750S	1.95 V	200 MHz	HD6417750SBP200	256-pin BGA
				HD6417750SF200	208-pin QFP
		1.8 V	167 MHz	HD6417750SF167	
				HD6417750SF167I	
	1.5 V	133 MHz	HD6417750SVF133		
			HD6417750SVBT133	264-pin CSP	
SH7750R	1.5 V	240 MHz	HD6417750RBP240	256-pin BGA	
			HD6417750RF240	208-pin QFP	
		200 MHz	HD6417750RBP200	256-pin BGA	
			HD6417750RF200	208-pin QFP	

Notes: *1 For SH7750R only

*2 For SH7750S only

*3 For SH7750 only

1.2 Block Diagram

Figure 1.1 shows an internal block diagram of the SH7750 Series.

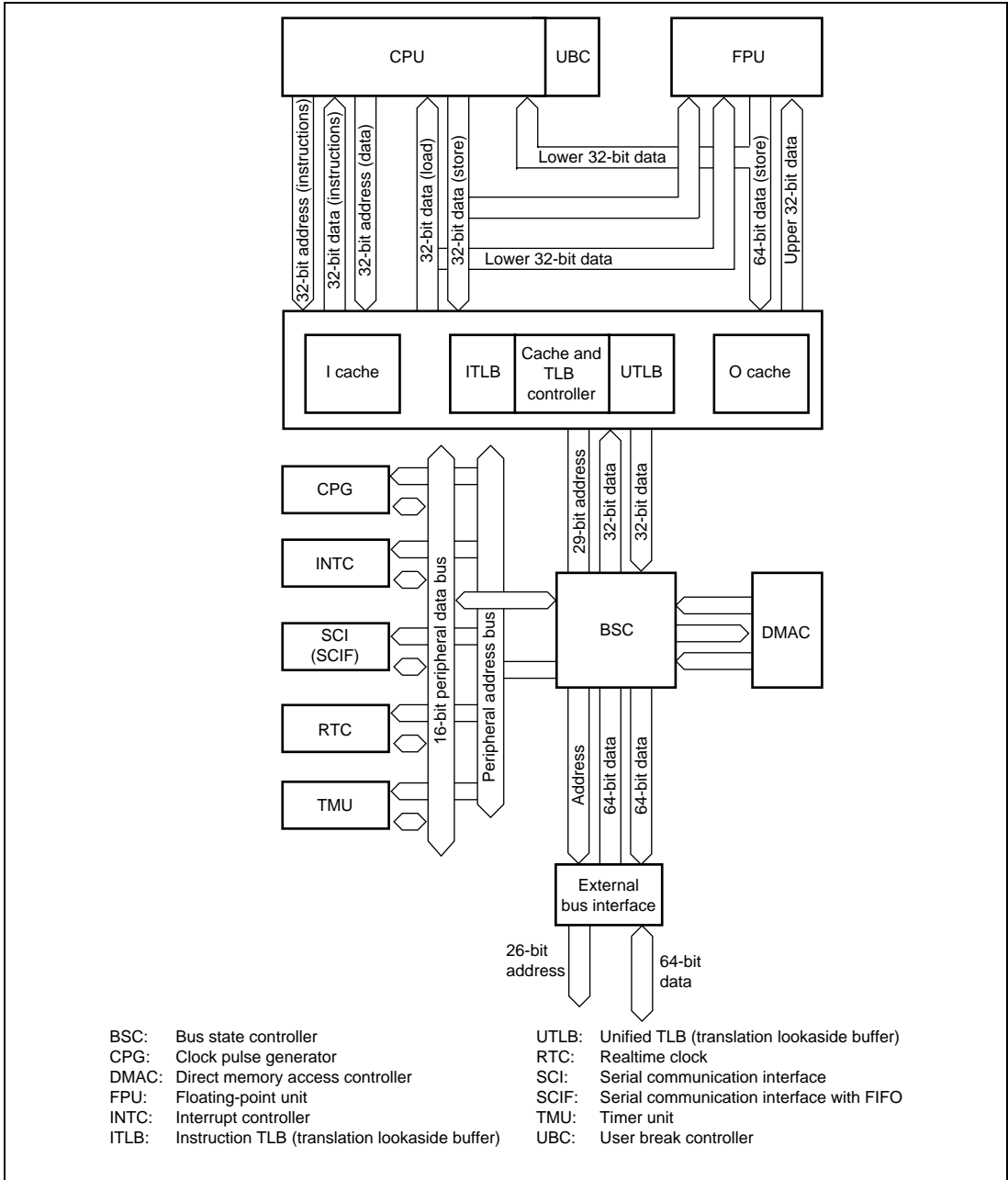


Figure 1.1 Block Diagram of SH7750 Series Functions

1.3 Pin Arrangement

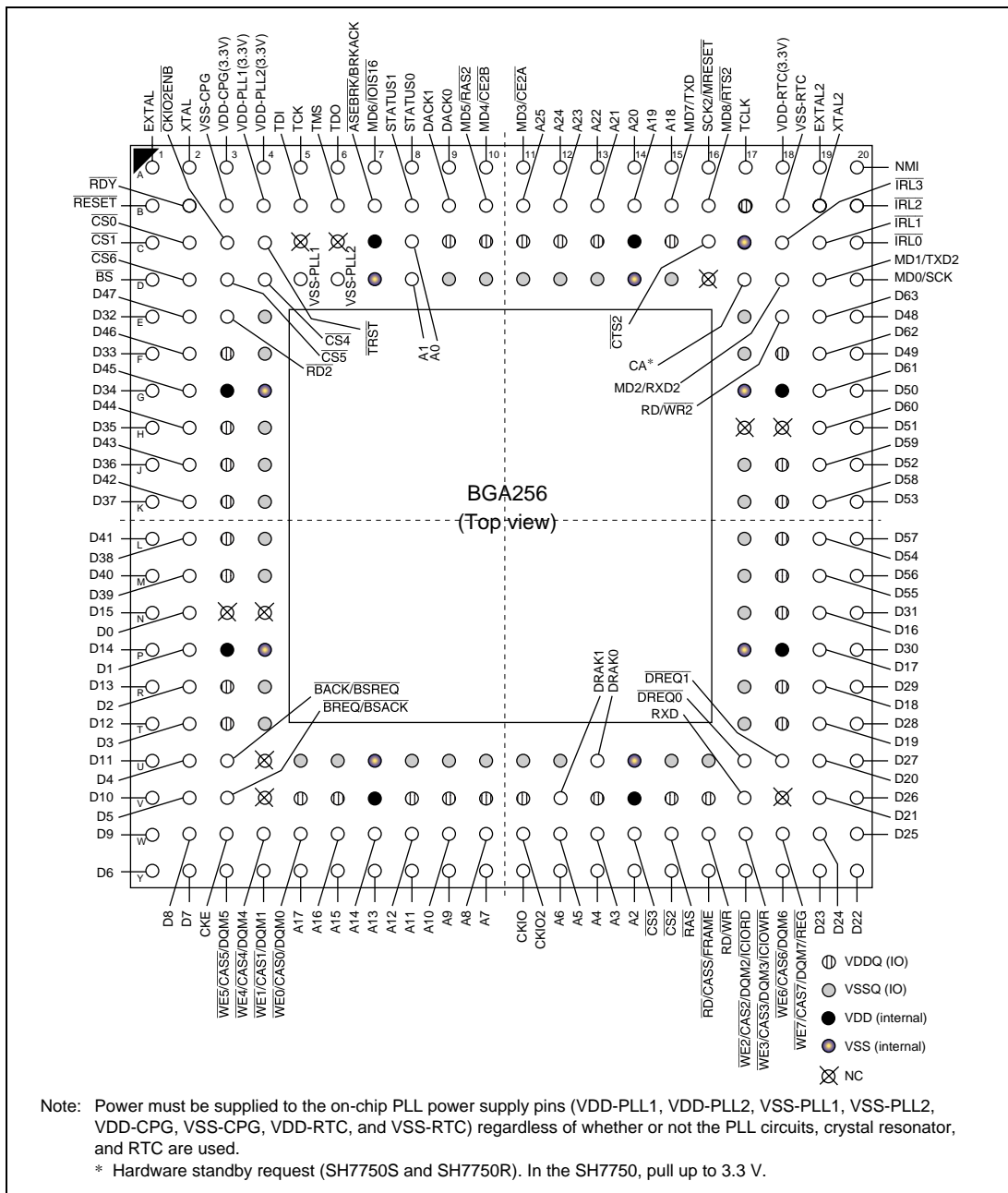
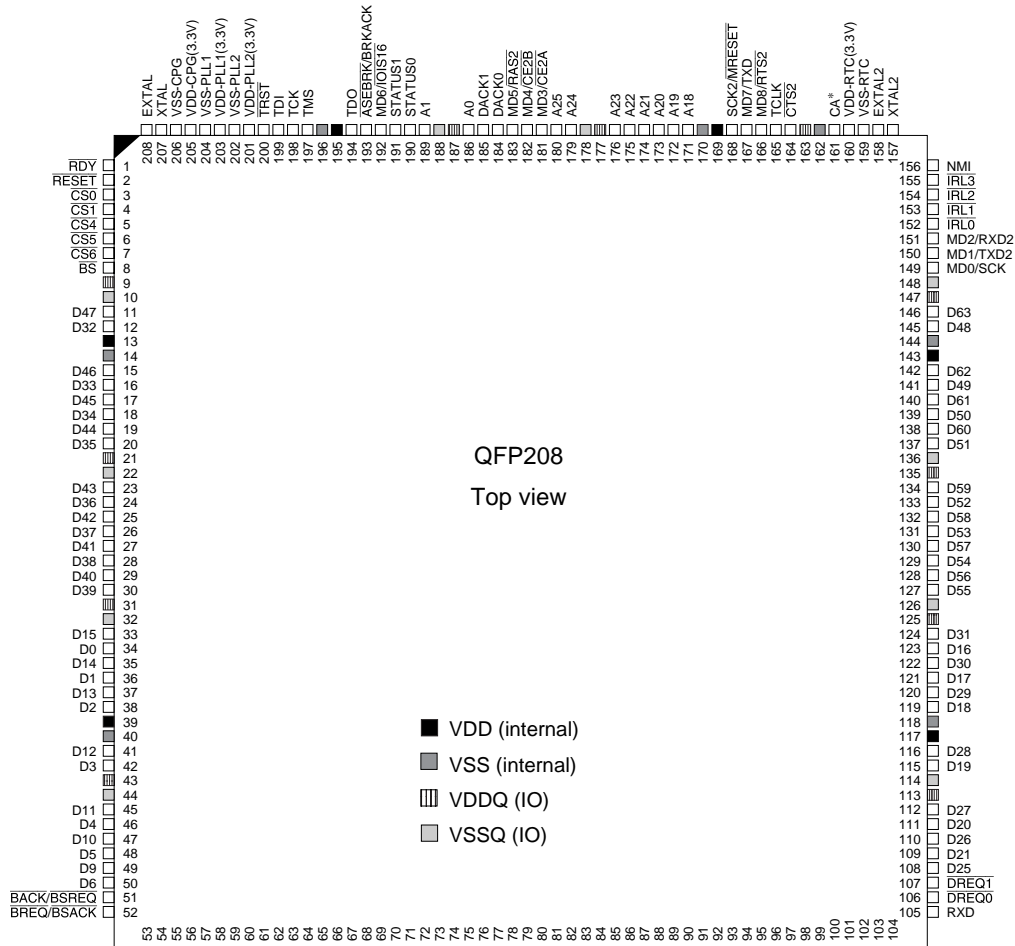


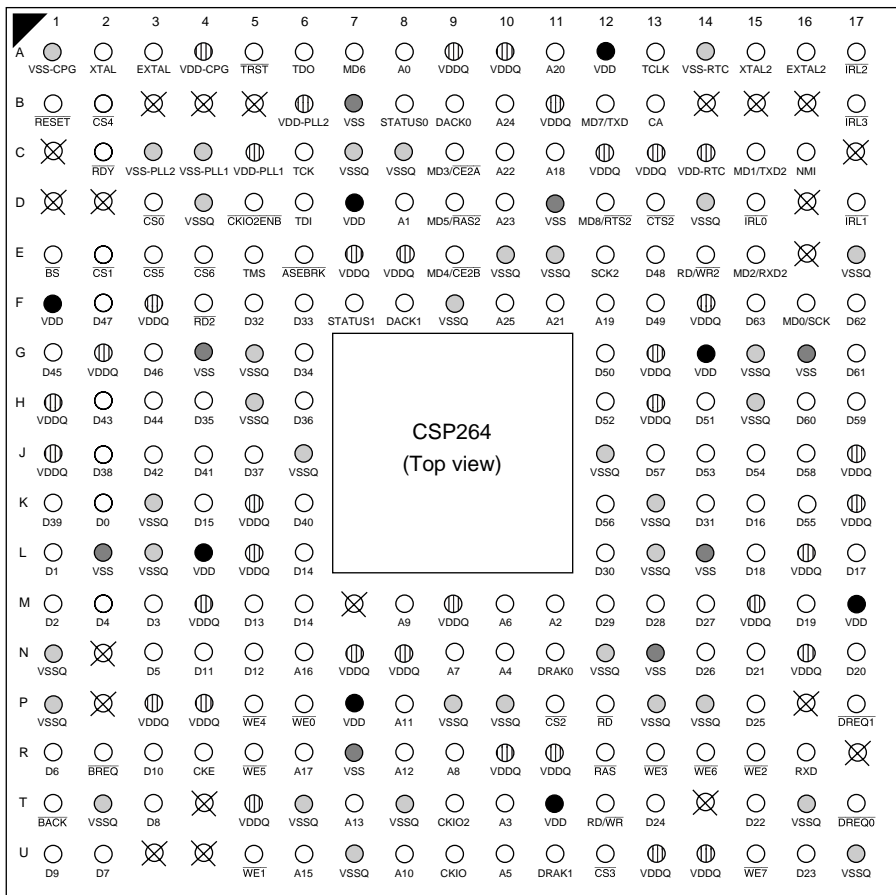
Figure 1.2 Pin Arrangement (256-Pin BGA)



Note: Power must be supplied to the on-chip PLL power supply pins (VDD-PLL1, VDD-PLL2, VSS-PLL1, VSS-PLL2, VDD-CPG, VSS-CPG, VDD-RTC, and VSS-RTC) regardless of whether or not the PLL circuits, crystal resonator, and RTC are used.

* Hardware standby request (SH7750S and SH7750R). In the SH7750, pull up to 3.3 V.

Figure 1.3 Pin Arrangement (208-Pin QFP)



- Ⓜ VDDQ (IO)
- VSSQ (IO)
- VDD (internal)
- VSS (internal)
- ~~○~~ NC

Note: Power must be supplied to the on-chip PLL power supply pins (VDD-PLL1, VDD-PLL2, VSS-PLL1, VSS-PLL2, VDD-CPG, VSS-CPG, VDD-RTC, and VSS-RTC) regardless of whether or not the PLL circuits, crystal resonator, and RTC are used.

Figure 1.4 Pin Arrangement (264-Pin CSP)

1.4 Pin Functions

1.4.1 Pin Functions (256-Pin BGA)

Table 1.2 Pin Functions

No.	Pin No.	Pin Name	I/O	Function	Reset	Memory Interface				
						SRAM	DRAM	SDRAM	PCMCIA	MPX
1	B2	$\overline{\text{RDY}}$	I	Bus ready		$\overline{\text{RDY}}$			$\overline{\text{RDY}}$	$\overline{\text{RDY}}$
2	B1	$\overline{\text{RESET}}$	I	Reset				$\overline{\text{RESET}}$		
3	C2	$\overline{\text{CS0}}$	O	Chip select 0		$\overline{\text{CS0}}$				$\overline{\text{CS0}}$
4	C1	$\overline{\text{CS1}}$	O	Chip select 1		$\overline{\text{CS1}}$				$\overline{\text{CS1}}$
5	D4	$\overline{\text{CS4}}$	O	Chip select 4		$\overline{\text{CS4}}$				$\overline{\text{CS4}}$
6	D3	$\overline{\text{CS5}}$	O	Chip select 5		$\overline{\text{CS5}}$			$\overline{\text{CE1A}}$	$\overline{\text{CS5}}$
7	D2	$\overline{\text{CS6}}$	O	Chip select 6		$\overline{\text{CS6}}$			$\overline{\text{CE1B}}$	$\overline{\text{CS6}}$
8	D1	$\overline{\text{BS}}$	O	Bust start		$\overline{\text{BS}}$	$\overline{\text{BS}}$	$\overline{\text{BS}}$	$\overline{\text{BS}}$	$\overline{\text{BS}}$
9	E4	VSSQ	Power	IO GND (0 V)						
10	E3	$\overline{\text{RD2}}$	O	$\overline{\text{RD/CASS/}}$ $\overline{\text{FRAME}}$		$\overline{\text{OE}}$		$\overline{\text{CAS}}$	$\overline{\text{OE}}$	$\overline{\text{FRAME}}$
11	F3	VDDQ	Power	IO VDD (3.3 V)						
12	F4	VSSQ	Power	IO GND (0 V)						
13	E2	D47	I/O	Data/port		(Port)	(Port)	(Port)	(Port)	(Port)
14	E1	D32	I/O	Data/port		(Port)	(Port)	(Port)	(Port)	(Port)
15	G3	VDD	Power	Internal VDD (1.8 V)						
16	G4	VSS	Power	Internal GND (0 V)						
17	F2	D46	I/O	Data/port		(Port)	(Port)	(Port)	(Port)	(Port)
18	F1	D33	I/O	Data/port		(Port)	(Port)	(Port)	(Port)	(Port)
19	H3	VDDQ	Power	IO VDD (3.3 V)						
20	H4	VSSQ	Power	IO GND (0 V)						
21	G2	D45	I/O	Data/port		(Port)	(Port)	(Port)	(Port)	(Port)
22	G1	D34	I/O	Data/port		(Port)	(Port)	(Port)	(Port)	(Port)
23	H2	D44	I/O	Data/port		(Port)	(Port)	(Port)	(Port)	(Port)
24	H1	D35	I/O	Data/port		(Port)	(Port)	(Port)	(Port)	(Port)
25	J3	VDDQ	Power	IO VDD (3.3 V)						
26	J4	VSSQ	Power	IO GND (0 V)						
27	J2	D43	I/O	Data/port		(Port)	(Port)	(Port)	(Port)	(Port)
28	J1	D36	I/O	Data/port		(Port)	(Port)	(Port)	(Port)	(Port)

Table 1.2 Pin Functions (cont)

No.	Pin No.	Pin Name	I/O	Function	Reset	Memory Interface				
						SRAM	DRAM	SDRAM	PCMCIA	MPX
29	K2	D42	I/O	Data/port		(Port)	(Port)	(Port)	(Port)	(Port)
30	K1	D37	I/O	Data/port		(Port)	(Port)	(Port)	(Port)	(Port)
31	K3	VDDQ	Power	IO VDD (3.3 V)						
32	K4	VSSQ	Power	IO GND (0 V)						
33	L1	D41	I/O	Data/port		(Port)	(Port)	(Port)	(Port)	(Port)
34	L2	D38	I/O	Data/port		(Port)	(Port)	(Port)	(Port)	(Port)
35	M1	D40	I/O	Data/port		(Port)	(Port)	(Port)	(Port)	(Port)
36	M2	D39	I/O	Data/port		(Port)	(Port)	(Port)	(Port)	(Port)
37	L3	VDDQ	Power	IO VDD (3.3 V)						
38	L4	VSSQ	Power	IO GND (0 V)						
39	N1	D15	I/O	Data						A15
40	N2	D0	I/O	Data						A0
41	P1	D14	I/O	Data						A14
42	P2	D1	I/O	Data						A1
43	M3	VDDQ	Power	IO VDD (3.3 V)						
44	M4	VSSQ	Power	IO GND (0 V)						
45	R1	D13	I/O	Data						A13
46	R2	D2	I/O	Data						A2
47	P3	VDD	Power	Internal VDD						
48	P4	VSS	Power	Internal GND (0 V)						
49	T1	D12	I/O	Data						A12
50	T2	D3	I/O	Data						A3
51	R3	VDDQ	Power	IO VDD (3.3 V)						
52	R4	VSSQ	Power	IO GND (0 V)						
53	U1	D11	I/O	Data						A11
54	U2	D4	I/O	Data						A4
55	V1	D10	I/O	Data						A10
56	V2	D5	I/O	Data						A5
57	T3	VDDQ	Power	IO VDD (3.3 V)						
58	T4	VSSQ	Power	IO GND (0 V)						
59	W1	D9	I/O	Data						A9
60	Y1	D6	I/O	Data						A6

Table 1.2 Pin Functions (cont)

No.	Pin No.	Pin Name	I/O	Function	Reset	Memory Interface				
						SRAM	DRAM	SDRAM	PCMCIA	MPX
61	U3	$\overline{\text{BACK}}$ / $\overline{\text{BSREQ}}$	O	Bus acknowledge/ bus request						
62	V3	$\overline{\text{BREQ}}$ / $\overline{\text{BSACK}}$	I	Bus request/bus acknowledge						
63	W2	D8	I/O	Data						A8
64	Y2	D7	I/O	Data						A7
65	W3	CKE	O	Clock output enable				CKE		
66	V5	VDDQ	Power	IO VDD (3.3 V)						
67	U5	VSSQ	Power	IO GND (0 V)						
68	Y3	$\overline{\text{WE5/CAS5}}$ / DQM5	O	D47–D40 select signal		$\overline{\text{WE5}}$	$\overline{\text{CAS5}}$	DQM5		
69	W4	$\overline{\text{WE4/CAS4}}$ / DQM4	O	D39–D32 select signal		$\overline{\text{WE4}}$	$\overline{\text{CAS4}}$	DQM4		
70	Y4	$\overline{\text{WE1/CAS1}}$ / DQM1	O	D15–D8 select signal		$\overline{\text{WE1}}$	$\overline{\text{CAS1}}$	DQM1	$\overline{\text{WE1}}$	
71	W5	$\overline{\text{WE0/CAS0}}$ / DQM0	O	D7–D0 select signal		$\overline{\text{WE0}}$	$\overline{\text{CAS0}}$	DQM0		
72	Y5	A17	O	Address						
73	V6	VDDQ	Power	IO VDD (3.3 V)						
74	U6	VSSQ	Power	IO GND (0 V)						
75	W6	A16	O	Address						
76	Y6	A15	O	Address						
77	V7	VDD	Power	Internal VDD						
78	U7	VSS	Power	Internal GND (0 V)						
79	W7	A14	O	Address						
80	Y7	A13	O	Address						
81	V8	VDDQ	Power	IO VDD (3.3 V)						
82	U8	VSSQ	Power	IO GND (0 V)						
83	V4	NC								
84	W8	A12	O	Address						
85	Y8	A11	O	Address						
86	W9	A10	O	Address						

Table 1.2 Pin Functions (cont)

No.	Pin No.	Pin Name	I/O	Function	Reset	Memory Interface				
						SRAM	DRAM	SDRAM	PCMCIA	MPX
87	V9	VDDQ	Power	IO VDD (3.3 V)						
88	U9	VSSQ	Power	IO GND (0 V)						
89	Y9	A9	O	Address						
90	W10	A8	O	Address						
91	Y10	A7	O	Address						
92	Y11	CKIO	O	Clock output				CKIO		
93	V10	VDDQ	Power	IO VDD (3.3 V)						
94	U10	VSSQ	Power	IO GND (0 V)						
95	W11	CKIO2	O	CKIO*1				CKIO		
96	Y12	A6	O	Address						
97	W12	A5	O	Address						
98	Y13	A4	O	Address						
99	V11	VDDQ	Power	IO VDD (3.3 V)						
100	U11	VSSQ	Power	IO GND (0 V)						
101	W13	A3	O	Address						
102	Y14	A2	O	Address						
103	V12	DRAK1	O	DMAC1 request acknowledge						
104	U13	DRAK0	O	DMAC0 request acknowledge						
105	V13	VDDQ	Power	IO VDD (3.3 V)						
106	U12	VSSQ	Power	IO GND (0 V)						
107	W14	$\overline{CS3}$	O	Chip select 3		$\overline{CS3}$	$(\overline{CS3})$	$\overline{CS3}$		$\overline{CS3}$
108	Y15	$\overline{CS2}$	O	Chip select 2		$\overline{CS2}$	$(\overline{CS2})$	$\overline{CS2}$		$\overline{CS2}$
109	V14	VDD	Power	Internal VDD						
110	U14	VSS	Power	Internal GND (0 V)						
111	W15	\overline{RAS}	O	\overline{RAS}			RAS	RAS		
112	Y16	$\overline{RD/CASS/}$ \overline{FRAME}	O	Read/ $\overline{CAS/}$ \overline{FRAME}		\overline{OE}		\overline{CAS}	\overline{OE}	\overline{FRAME}
113	V15	VDDQ	Power	IO VDD (3.3 V)						
114	U15	VSSQ	Power	IO GND (0 V)						

Table 1.2 Pin Functions (cont)

Pin No.	Pin No.	Pin Name	I/O	Function	Reset	Memory Interface				
						SRAM	DRAM	SDRAM	PCMCIA	MPX
115	W16	RD/WR	O	Read/write		RD/WR	RD/WR	RD/WR		RD/WR
116	Y17	WE2/CAS2/ DQM2/ ICIORD	O	D23–D16 select signal		WE2	CAS2	DQM2	ICIORD	
117	W17	WE3/CAS3/ DQM3/ ICIOWR	O	D31–D24 select signal		WE3	CAS3	DQM3	ICIOWR	
118	Y18	WE6/CAS6/ DQM6	O	D55–D48 select signal		WE6	CAS6	DQM6		
119	V16	VDDQ	Power	IO VDD (3.3 V)						
120	U16	VSSQ	Power	IO GND (0 V)						
121	W18	WE7/CAS7/ DQM7/REG	O	D63–D56 select signal		WE7	CAS7	DQM7	REG	
122	Y19	D23	I/O	Data						A23
123	W19	D24	I/O	Data						A24
124	Y20	D22	I/O	Data						A22
125	V17	RXD	I	SCI data input						
126	U17	DREQ0	I	Request from DMAC0						
127	U18	DREQ1	I	Request from DMAC1						
128	W20	D25	I/O	Data						A25
129	T18	VDDQ	Power	IO VDD (3.3 V)						
130	T17	VSSQ	Power	IO GND (0 V)						
131	V19	D21	I/O	Data						A21
132	V20	D26	I/O	Data						
133	U19	D20	I/O	Data						A20
134	U20	D27	I/O	Data						
135	R18	VDDQ	Power	IO VDD (3.3 V)						
136	R17	VSSQ	Power	IO GND (0 V)						
137	T19	D19	I/O	Data						A19
138	T20	D28	I/O	Data						
139	P18	VDD	Power	Internal VDD						
140	P17	VSS	Power	Internal GND (0 V)						
141	R19	D18	I/O	Data						A18

Table 1.2 Pin Functions (cont)

Pin No.	Pin No.	Pin Name	I/O	Function	Reset	Memory Interface				
						SRAM	DRAM	SDRAM	PCMCIA	MPX
142	R20	D29	I/O	Data						
143	N18	VDDQ	Power	IO VDD (3.3 V)						
144	N17	VSSQ	Power	IO GND (0 V)						
145	P19	D17	I/O	Data						A17
146	P20	D30	I/O	Data						
147	N19	D16	I/O	Data						A16
148	N20	D31	I/O	Data						
149	M18	VDDQ	Power	IO VDD (3.3 V)						
150	M17	VSSQ	Power	IO GND (0 V)						
151	M19	D55	I/O	Data						
152	M20	D56	I/O	Data						
153	L19	D54	I/O	Data						
154	L20	D57	I/O	Data						
155	L18	VDDQ	Power	IO VDD (3.3 V)						
156	L17	VSSQ	Power	IO GND (0 V)						
157	K20	D53	I/O	Data						
158	K19	D58	I/O	Data						
159	J20	D52	I/O	Data						
160	J19	D59	I/O	Data						
161	K18	VDDQ	Power	IO VDD (3.3 V)						
162	K17	VSSQ	Power	IO GND (0 V)						
163	H20	D51	I/O	Data/port		(Port)	(Port)	(Port)	(Port)	(Port)
164	H19	D60	I/O	Data						
165	G20	D50	I/O	Data/port		(Port)	(Port)	(Port)	(Port)	(Port)
166	G19	D61	I/O	Data						ACCSIZE0
167	J18	VDDQ	Power	IO VDD (3.3 V)						
168	J17	VSSQ	Power	IO GND (0 V)						
169	F20	D49	I/O	Data/port		(Port)	(Port)	(Port)	(Port)	(Port)
170	F19	D62	I/O	Data						ACCSIZE1
171	G18	VDD	Power	Internal VDD						
172	G17	VSS	Power	Internal GND (0 V)						
173	E20	D48	I/O	Data/port		(Port)	(Port)	(Port)	(Port)	(Port)

Table 1.2 Pin Functions (cont)

Pin No.	Pin No.	Pin Name	I/O	Function	Reset	Memory Interface				
						SRAM	DRAM	SDRAM	PCMCIA	MPX
174	E19	D63	I/O	Data						ACCSIZE2
175	F18	VDDQ	Power	IO VDD (3.3 V)						
176	F17	VSSQ	Power	IO GND (0 V)						
177	E17	VSSQ	Power	IO GND (0 V)						
178	E18	RD/WR $\overline{2}$	O	RD/WR		RD/WR	RD/WR	RD/WR		RD/WR
179	D20	MD0/SCK	I/O	Mode/SCI clock	MD0	SCK	SCK	SCK	SCK	SCK
180	D19	MD1/TXD2	I/O	Mode SCIF data output	MD1	TXD2	TXD2	TXD2	TXD2	TXD2
181	D18	MD2/RXD2	I	Mode/SCIF data input	MD2	RXD2	RXD2	RXD2	RXD2	RXD2
182	C20	$\overline{\text{IRL0}}$	I	Interrupt 0						
183	C19	$\overline{\text{IRL1}}$	I	Interrupt 1						
184	B20	$\overline{\text{IRL2}}$	I	Interrupt 2						
185	C18	$\overline{\text{IRL3}}$	I	Interrupt 3						
186	A20	NMI	I	Nonmaskable interrupt						
187	B19	XTAL2	O	RTC crystal resonator pin						
188	A19	EXTAL2	I	RTC crystal resonator pin						
189	B18	VSS-RTC	Power	RTC GND (0 V)						
190	A18	VDD-RTC	Power	RTC VDD (3.3 V)						
191	D17	CA	I	*2						
192	C17	VSS	Power	Internal GND (0 V)						
193	B17	VDDQ	Power	IO VDD (3.3 V)						
194	C16	$\overline{\text{CTS2}}$	I/O	SCIF data control (CTS)						
195	A17	TCLK	I/O	RTC/TMU clock						
196	B16	MD8/RTS $\overline{2}$	I/O	Mode/SCIF data control (RTS)	MD8	RTS $\overline{2}$	RTS $\overline{2}$	RTS $\overline{2}$	RTS $\overline{2}$	RTS $\overline{2}$

Table 1.2 Pin Functions (cont)

Pin No.	Pin No.	Pin Name	I/O	Function	Reset	Memory Interface				
						SRAM	DRAM	SDRAM	PCMCIA	MPX
197	C15	VDDQ	Power	IO VDD (3.3 V)						
198	D15	VSSQ	Power	IO GND (0 V)						
199	B15	MD7/TXD	I/O	Mode/SCI data output	MD7	TXD	TXD	TXD	TXD	TXD
200	A16	SCK2/ MRESET	I	SCIF clock/ manual reset	MRESET	SCK2	SCK2	SCK2	SCK2	SCK2
201	C14	VDD	Power	Internal VDD						
202	D14	VSS	Power	Internal GND (0 V)						
203	A15	A18	O	Address						
204	B14	A19	O	Address						
205	C13	VDDQ	Power	IO VDD (3.3 V)						
206	D13	VSSQ	Power	IO GND (0 V)						
207	A14	A20	O	Address						
208	B13	A21	O	Address						
209	A13	A22	O	Address						
210	B12	A23	O	Address						
211	C12	VDDQ	Power	IO VDD (3.3 V)						
212	D12	VSSQ	Power	IO GND (0 V)						
213	A12	A24	O	Address						
214	B11	A25	O	Address						
215	A11	MD3/ $\overline{\text{CE2A}}$	I/O	Mode/ PCMCIA-CE	MD3				$\overline{\text{CE2A}}$	
216	A10	MD4/ $\overline{\text{CE2B}}$	I/O	Mode/ PCMCIA-CE	MD4				$\overline{\text{CE2B}}$	
217	C11	VDDQ	Power	IO VDD (3.3 V)						
218	D11	VSSQ	Power	IO GND (0 V)						
219	B10	MD5/ $\overline{\text{RAS2}}$	I/O	Mode/ $\overline{\text{RAS}}$ (DRAM)	MD5		$\overline{\text{RAS2}}$			
220	A9	DACK0	O	DMAC0 bus acknowledge						
221	B9	DACK1	O	DMAC1 bus acknowledge						
222	C8	A0	O	Address						
223	C10	VDDQ	Power	IO VDD (3.3 V)						
224	D10	VSSQ	Power	IO GND (0 V)						

Table 1.2 Pin Functions (cont)

No.	Pin No.	Pin Name	I/O	Function	Reset	Memory Interface				
						SRAM	DRAM	SDRAM	PCMCIA	MPX
225	D8	A1	O	Address						
226	A8	STATUS0	O	Status						
227	B8	STATUS1	O	Status						
228	A7	MD6/ IOIS16	I	Mode/ IOIS16 (PCMCIA)	MD6				IOIS16	
229	C9	VDDQ	Power	IO VDD (3.3 V)						
230	D9	VSSQ	Power	IO GND (0 V)						
231	B7	ASEBRK/ BRKACK	I/O	Pin break/ acknowledge (H-UDI)						
232	A6	TDO	O	Data out (H-UDI)						
233	C7	VDD	Power	Internal VDD						
234	D7	VSS	Power	Internal GND (0 V)						
235	B6	TMS	I	Mode (H-UDI)						
236	A5	TCK	I	Clock (H-UDI)						
237	B5	TDI	I	Data in (H-UDI)						
238	C4	TRST	I	Reset (H-UDI)						
239	C3	CKIO2ENB	I	CKIO2, RD2, RD/WR2 enable						
240	C6	NC								
241	A4	VDD-PLL2	Power	PLL2 VDD (3.3V)						
242	D6	VSS-PLL2	Power	PLL2 GND (0V)						
243	B4	VDD-PLL1	Power	PLL1 VDD (3.3V)						
244	D5	VSS-PLL1	Power	PLL1 GND (0V)						
245	A3	VDD-CPG	Power	CPG VDD (3.3V)						
246	B3	VSS-CPG	Power	CPG GND (0V)						
247	A2	XTAL	O	Crystal resonator						

Table 1.2 Pin Functions (cont)

No.	Pin No.	Pin Name	I/O	Function	Reset	Memory Interface				
						SRAM	DRAM	SDRAM	PCMCIA	MPX
248	A1	EXTAL	I	External input clock/crystal resonator						
249	C5	NC								
250	D16	NC								
251	H17	NC								
252	H18	NC								
253	N3	NC								
254	N4	NC								
255	U4	NC								
256	V18	NC								

I: Input

O: Output

I/O: Input/output

Power: Power supply

- Notes:
1. Except in hardware standby mode, supply power to all power pins. In hardware standby mode, supply power to RTC as a minimum.
 2. Power must be supplied to VDD-PLL1/2 and VSS-PLL1/2 regardless of whether or not the on-chip PLL circuits are used.
 3. Power must be supplied to VDD-CPG and VSS-CPG regardless of whether or not the on-chip crystal resonator is used.
 4. Power must be supplied to VDD-RTC and VSS-RTC regardless of whether or not the on-chip RTC is used.
 5. VSSQ, VSS, VSS-RTC, VSS-PLL1/2, and VSS-CPG are connected inside the package.
 6. In the SH7750S and SH7750R, at least the RTC power supply must be supplied in hardware standby mode.
 7. NC pins must be left completely open, and not connected to a power supply, GND, etc.
- *1 CKIO2 is not connected to PLL2.
 *2 Hardware standby request (SH7750S and SH7750R). In the SH7750, pull up to 3.3 V.

1.4.2 Pin Functions (208-Pin QFP)

Table 1.3 Pin Functions

Pin No.	Pin Name	I/O	Function	Reset	Memory Interface				
					SRAM	DRAM	SDRAM	PCMCIA	MPX
1	$\overline{\text{RDY}}$	I	Bus ready		$\overline{\text{RDY}}$			$\overline{\text{RDY}}$	$\overline{\text{RDY}}$
2	$\overline{\text{RESET}}$	I	Reset					$\overline{\text{RESET}}$	
3	$\overline{\text{CS0}}$	O	Chip select 0		$\overline{\text{CS0}}$				$\overline{\text{CS0}}$
4	$\overline{\text{CS1}}$	O	Chip select 1		$\overline{\text{CS1}}$				$\overline{\text{CS1}}$
5	$\overline{\text{CS4}}$	O	Chip select 4		$\overline{\text{CS4}}$				$\overline{\text{CS4}}$
6	$\overline{\text{CS5}}$	O	Chip select 5		$\overline{\text{CS5}}$			$\overline{\text{CE1A}}$	$\overline{\text{CS5}}$
7	$\overline{\text{CS6}}$	O	Chip select 6		$\overline{\text{CS6}}$			$\overline{\text{CE1B}}$	$\overline{\text{CS6}}$
8	$\overline{\text{BS}}$	O	Bust start		$\overline{\text{BS}}$	$\overline{\text{BS}}$	$\overline{\text{BS}}$	$\overline{\text{BS}}$	$\overline{\text{BS}}$
9	VDDQ	Power	IO VDD (3.3 V)						
10	VSSQ	Power	IO GND (0 V)						
11	D47	I/O	Data/port		(Port)	(Port)	(Port)	(Port)	(Port)
12	D32	I/O	Data/port		(Port)	(Port)	(Port)	(Port)	(Port)
13	VDD	Power	Internal VDD						
14	VSS	Power	Internal GND (0 V)						
15	D46	I/O	Data/port		(Port)	(Port)	(Port)	(Port)	(Port)
16	D33	I/O	Data/port		(Port)	(Port)	(Port)	(Port)	(Port)
17	D45	I/O	Data/port		(Port)	(Port)	(Port)	(Port)	(Port)
18	D34	I/O	Data/port		(Port)	(Port)	(Port)	(Port)	(Port)
19	D44	I/O	Data/port		(Port)	(Port)	(Port)	(Port)	(Port)
20	D35	I/O	Data/port		(Port)	(Port)	(Port)	(Port)	(Port)
21	VDDQ	Power	IO VDD (3.3 V)						
22	VSSQ	Power	IO GND (0 V)						
23	D43	I/O	Data/port		(Port)	(Port)	(Port)	(Port)	(Port)
24	D36	I/O	Data/port		(Port)	(Port)	(Port)	(Port)	(Port)
25	D42	I/O	Data/port		(Port)	(Port)	(Port)	(Port)	(Port)
26	D37	I/O	Data/port		(Port)	(Port)	(Port)	(Port)	(Port)
27	D41	I/O	Data/port		(Port)	(Port)	(Port)	(Port)	(Port)
28	D38	I/O	Data/port		(Port)	(Port)	(Port)	(Port)	(Port)
29	D40	I/O	Data/port		(Port)	(Port)	(Port)	(Port)	(Port)
30	D39	I/O	Data/port		(Port)	(Port)	(Port)	(Port)	(Port)

Table 1.3 Pin Functions (cont)

Pin No.	Pin Name	I/O	Function	Reset	Memory Interface				
					SRAM	DRAM	SDRAM	PCMCIA	MPX
31	VDDQ	Power	IO VDD (3.3 V)						
32	VSSQ	Power	IO GND (0 V)						
33	D15	I/O	Data						A15
34	D0	I/O	Data						A0
35	D14	I/O	Data						A14
36	D1	I/O	Data						A1
37	D13	I/O	Data						A13
38	D2	I/O	Data						A2
39	VDD	Power	Internal VDD (1.8 V)						
40	VSS	Power	Internal GND (0 V)						
41	D12	I/O	Data						A12
42	D3	I/O	Data						A3
43	VDDQ	Power	IO VDD (3.3 V)						
44	VSSQ	Power	IO GND (0 V)						
45	D11	I/O	Data						A11
46	D4	I/O	Data						A4
47	D10	I/O	Data						A10
48	D5	I/O	Data						A5
49	D9	I/O	Data						A9
50	D6	I/O	Data						A6
51	BACK/ BSREQ	O	Bus acknowledge/ bus request						
52	BREQ/ BSACK	I	Bus request/bus acknowledge						
53	D8	I/O	Data						A8
54	D7	I/O	Data						A7
55	CKE	O	Clock output enable				CKE		
56	VDDQ	Power	IO VDD (3.3 V)						
57	VSSQ	Power	IO GND (0 V)						
58	WE5/CAS5/ DQM5	O	D47–D40 select signal		WE5	CAS5	DQM5		

Table 1.3 Pin Functions (cont)

Pin No.	Pin Name	I/O	Function	Reset	Memory Interface				
					SRAM	DRAM	SDRAM	PCMCIA	MPX
59	$\overline{WE4}/CAS4/DQM4$	O	D39–D32 select signal		$\overline{WE4}$	$\overline{CAS4}$	DQM4		
60	$\overline{WE1}/CAS1/DQM1$	O	D15–D8 select signal		$\overline{WE1}$	$\overline{CAS1}$	DQM1	$\overline{WE1}$	
61	$\overline{WE0}/CAS0/DQM0$	O	D7–D0 select signal		$\overline{WE0}$	$\overline{CAS0}$	DQM0		
62	A17	O	Address						
63	A16	O	Address						
64	A15	O	Address						
65	VDD	Power	Internal VDD						
66	VSS	Power	Internal GND (0 V)						
67	A14	O	Address						
68	A13	O	Address						
69	VDDQ	Power	IO VDD (3.3 V)						
70	VSSQ	Power	IO GND (0 V)						
71	A12	O	Address						
72	A11	O	Address						
73	A10	O	Address						
74	A9	O	Address						
75	A8	O	Address						
76	A7	O	Address						
77	CKIO	O	Clock output					CKIO	
78	VDDQ	Power	IO VDD (3.3 V)						
79	VSSQ	Power	IO GND (0 V)						
80	A6	O	Address						
81	A5	O	Address						
82	A4	O	Address						
83	A3	O	Address						
84	A2	O	Address						
85	DRAK1	O	DMAC1 request acknowledge						
86	DRAK0	O	DMAC0 request acknowledge						
87	VDDQ	Power	IO VDD (3.3 V)						

Table 1.3 Pin Functions (cont)

Pin No.	Pin Name	I/O	Function	Reset	Memory Interface				
					SRAM	DRAM	SDRAM	PCMCIA	MPX
88	VSSQ	Power	IO GND (0 V)						
89	$\overline{CS3}$	O	Chip select 3		$\overline{CS3}$	$(\overline{CS3})$	$\overline{CS3}$		$\overline{CS3}$
90	$\overline{CS2}$	O	Chip select 2		$\overline{CS2}$	$(\overline{CS2})$	$\overline{CS2}$		$\overline{CS2}$
91	VDD	Power	Internal VDD						
92	VSS	Power	Internal GND (0 V)						
93	\overline{RAS}	O	\overline{RAS}			\overline{RAS}	\overline{RAS}		
94	$\overline{RD/CAS/FRAME}$	O	Read/ $\overline{CAS/FRAME}$		\overline{OE}		\overline{CAS}	\overline{OE}	\overline{FRAME}
95	$\overline{RD/WR}$	O	Read/write		$\overline{RD/WR}$	$\overline{RD/WR}$	$\overline{RD/WR}$		$\overline{RD/WR}$
96	$\overline{WE2/CAS2/DQM2/ICIOR\overline{D}}$	O	D23–D16 select signal		$\overline{WE2}$	$\overline{CAS2}$	$\overline{DQM2}$	$\overline{ICIOR\overline{D}}$	
97	$\overline{WE3/CAS3/DQM3/ICIOR\overline{W}}$	O	D31–D24 select signal		$\overline{WE3}$	$\overline{CAS3}$	$\overline{DQM3}$	$\overline{ICIOR\overline{W}}$	
98	$\overline{WE6/CAS6/DQM6}$	O	D55–D48 select signal		$\overline{WE6}$	$\overline{CAS6}$	$\overline{DQM6}$		
99	VDDQ	Power	IO VDD (3.3 V)						
100	VSSQ	Power	IO GND (0 V)						
101	$\overline{WE7/CAS7/DQM7/REG}$	O	D63–D56 select signal		$\overline{WE7}$	$\overline{CAS7}$	$\overline{DQM7}$	\overline{REG}	
102	D23	I/O	Data						A23
103	D24	I/O	Data						A24
104	D22	I/O	Data						A22
105	RXD	I	SCI Data input						
106	$\overline{DREQ0}$	I	Request from DMAC0						
107	$\overline{DREQ1}$	I	Request from DMAC1						
108	D25	I/O	Data						A25
109	D21	I/O	Data						A21
110	D26	I/O	Data						
111	D20	I/O	Data						A20
112	D27	I/O	Data						
113	VDDQ	Power	IO VDD (3.3 V)						

Table 1.3 Pin Functions (cont)

Pin No.	Pin Name	I/O	Function	Reset	Memory Interface				
					SRAM	DRAM	SDRAM	PCMCIA	MPX
114	VSSQ	Power	IO GND (0 V)						
115	D19	I/O	Data						A19
116	D28	I/O	Data						
117	VDD	Power	Internal VDD						
118	VSS	Power	Internal GND (0 V)						
119	D18	I/O	Data						A18
120	D29	I/O	Data						
121	D17	I/O	Data						A17
122	D30	I/O	Data						
123	D16	I/O	Data						A16
124	D31	I/O	Data						
125	VDDQ	Power	IO VDD (3.3 V)						
126	VSSQ	Power	IO GND (0 V)						
127	D55	I/O	Data						
128	D56	I/O	Data						
129	D54	I/O	Data						
130	D57	I/O	Data						
131	D53	I/O	Data						
132	D58	I/O	Data						
133	D52	I/O	Data						
134	D59	I/O	Data						
135	VDDQ	Power	IO VDD (3.3 V)						
136	VSSQ	Power	IO GND (0 V)						
137	D51	I/O	Data/port		(Port)	(Port)	(Port)	(Port)	(Port)
138	D60	I/O	Data						
139	D50	I/O	Data/port		(Port)	(Port)	(Port)	(Port)	(Port)
140	D61	I/O	Data						ACCSIZE0
141	D49	I/O	Data/port		(Port)	(Port)	(Port)	(Port)	(Port)
142	D62	I/O	Data						ACCSIZE1
143	VDD	Power	Internal VDD						
144	VSS	Power	Internal GND (0 V)						

Table 1.3 Pin Functions (cont)

Pin No.	Pin Name	I/O	Function	Reset	Memory Interface				
					SRAM	DRAM	SDRAM	PCMCIA	MPX
145	D48	I/O	Data/port		(Port)	(Port)	(Port)	(Port)	(Port)
146	D63	I/O	Data						ACCSIZE2
147	VDDQ	Power	IO VDD (3.3 V)						
148	VSSQ	Power	IO GND (0 V)						
149	MD0/SCK	I/O	Mode/SCI clock	MD0	SCK	SCK	SCK	SCK	SCK
150	MD1/TXD2	I/O	Mode SCIF data output	MD1	TXD2	TXD2	TXD2	TXD2	TXD2
151	MD2/RXD2	I	Mode/SCIF data input	MD2	RXD2	RXD2	RXD2	RXD2	RXD2
152	$\overline{\text{IRL0}}$	I	Interrupt 0						
153	$\overline{\text{IRL1}}$	I	Interrupt 1						
154	$\overline{\text{IRL2}}$	I	Interrupt 2						
155	$\overline{\text{IRL3}}$	I	Interrupt 3						
156	NMI	I	Nonmaskable interrupt						
157	XTAL2	O	RTC crystal resonator pin						
158	EXTAL2	I	RTC crystal resonator pin						
159	VSS-RTC	Power	RTC GND (0 V)						
160	VDD-RTC	Power	RTC VDD (3.3 V)						
161	CA	I	*						
162	VSS	Power	Internal GND (0 V)						
163	VDDQ	Power	IO VDD (3.3 V)						
164	$\overline{\text{CTS2}}$	I/O	SCIF data control (CTS)						
165	TCLK	I/O	RTC/TMU clock						
166	MD8/RTS2	I/O	Mode/SCIF data control (RTS)	MD8	RTS2	RTS2	RTS2	RTS2	RTS2
167	MD7/TXD	I/O	Mode/SCI data output	MD7	TXD	TXD	TXD	TXD	TXD

Table 1.3 Pin Functions (cont)

Pin No.	Pin Name	I/O	Function	Reset	Memory Interface				
					SRAM	DRAM	SDRAM	PCMCIA	MPX
168	SCK2/ MRESET	I	SCIF clock/ manual reset	MRESET	SCK2	SCK2	SCK2	SCK2	SCK2
169	VDD	Power	Internal VDD						
170	VSS	Power	Internal GND (0 V)						
171	A18	O	Address						
172	A19	O	Address						
173	A20	O	Address						
174	A21	O	Address						
175	A22	O	Address						
176	A23	O	Address						
177	VDDQ	Power	IO VDD (3.3 V)						
178	VSSQ	Power	IO GND (0 V)						
179	A24	O	Address						
180	A25	O	Address						
181	MD3/CE2A	I/O	Mode/ PCMCIA-CE	MD3				CE2A	
182	MD4/CE2B	I/O	Mode/ PCMCIA-CE	MD4				CE2B	
183	MD5/RAS2	I/O	Mode/RAS (DRAM)	MD5		RAS2			
184	DACK0	O	DMAC0 bus acknowledge						
185	DACK1	O	DMAC1 bus acknowledge						
186	A0	O	Address						
187	VDDQ	Power	IO VDD (3.3 V)						
188	VSSQ	Power	IO GND (0 V)						
189	A1	O	Address						
190	STATUS0	O	Status						
191	STATUS1	O	Status						
192	MD6/ IOIS16	I	Mode/IOIS16 (PCMCIA)	MD6				IOIS16	
193	ASEBRK/ BRKACK	I/O	Pin break/ acknowledge (H-UDI)						

Table 1.3 Pin Functions (cont)

Pin No.	Pin Name	I/O	Function	Reset	Memory Interface				
					SRAM	DRAM	SDRAM	PCMCIA	MPX
194	TDO	O	Data out (H-UDI)						
195	VDD	Power	Internal VDD						
196	VSS	Power	Internal GND (0 V)						
197	TMS	I	Mode (H-UDI)						
198	TCK	I	Clock (H-UDI)						
199	TDI	I	Data in (H-UDI)						
200	$\overline{\text{TRST}}$	I	Reset (H-UDI)						
201	VDD-PLL2	Power	PLL2 VDD (3.3V)						
202	VSS-PLL2	Power	PLL2 GND (0V)						
203	VDD-PLL1	Power	PLL1 VDD (3.3V)						
204	VSS-PLL1	Power	PLL1 GND (0V)						
205	VDD-CPG	Power	CPG VDD (3.3V)						
206	VSS-CPG	Power	CPG GND (0V)						
207	XTAL	O	Crystal resonator						
208	EXTAL	I	External input clock/crystal resonator						

I: Input
O: Output
I/O: Input/output
Power: Power supply

- Notes:
1. Except in hardware standby mode, supply power to all power pins. In hardware standby mode, supply power to RTC as a minimum.
 2. Power must be supplied to VDD-PLL1/2 and VSS-PLL1/2 regardless of whether or not the on-chip PLL circuits are used.
 3. Power must be supplied to VDD-CPG and VSS-CPG regardless of whether or not the on-chip crystal resonator is used.
 4. Power must be supplied to VDD-RTC and VSS-RTC regardless of whether or not the on-chip RTC is used.
 5. VSSQ, VSS, VSS-RTC, VSS-PLL1/2, and VSS-CPG are connected inside the package.
 6. In the SH7750S and SH7750R, at least the RTC power supply must be supplied in hardware standby mode.
 7. The $\overline{\text{RD2}}$, $\overline{\text{RD/WR2}}$, CKIO2, and $\overline{\text{CKIO2ENB}}$ pins are not provided on the QFP package.
 8. For a QFP package, the maximum operating frequency of the external bus is 84 MHz.
- * Hardware standby request (SH7750S and SH7750R). In the SH7750, pull up to 3.3 V.

1.4.3 Pin Functions (264-Pin CSP)

Table 1.4 Pin Functions

Pin No.	Pin No.	Pin Name	I/O	Function	Reset	Memory Interface				
						SRAM	DRAM	SDRAM	PCMCIA	MPX
1	C2	$\overline{\text{RDY}}$	I	Bus ready		$\overline{\text{RDY}}$			$\overline{\text{RDY}}$	$\overline{\text{RDY}}$
2	B1	$\overline{\text{RESET}}$	I	Reset					$\overline{\text{RESET}}$	
3	D3	$\overline{\text{CS0}}$	O	Chip select 0		$\overline{\text{CS0}}$				$\overline{\text{CS0}}$
4	E2	$\overline{\text{CS1}}$	O	Chip select 1		$\overline{\text{CS1}}$				$\overline{\text{CS1}}$
5	B2	$\overline{\text{CS4}}$	O	Chip select 4		$\overline{\text{CS4}}$				$\overline{\text{CS4}}$
6	E3	$\overline{\text{CS5}}$	O	Chip select 5		$\overline{\text{CS5}}$			$\overline{\text{CE1A}}$	$\overline{\text{CS5}}$
7	E4	$\overline{\text{CS6}}$	O	Chip select 6		$\overline{\text{CS6}}$			$\overline{\text{CE1B}}$	$\overline{\text{CS6}}$
8	E1	$\overline{\text{BS}}$	O	Bus start		$(\overline{\text{BS}})$	$(\overline{\text{BS}})$	$(\overline{\text{BS}})$	$(\overline{\text{BS}})$	$(\overline{\text{BS}})$
9	F4	$\overline{\text{RD2}}$	O	$\overline{\text{RD/CASS/}}$ $\overline{\text{FRAME}}$		$\overline{\text{OE}}$		$\overline{\text{CAS}}$	$\overline{\text{OE}}$	$\overline{\text{FRAME}}$
10	F3	VDDQ	Power	IO VDD (3.3 V)						
11	D4	VSSQ	Power	IO GND (0 V)						
12	F2	D47	I/O	Data/port		(Port)	(Port)	(Port)	(Port)	(Port)
13	F5	D32	I/O	Data/port		(Port)	(Port)	(Port)	(Port)	(Port)
14	F1	VDD	Power	Internal VDD (1.5 V)						
15	G4	VSS	Power	Internal GND (0 V)						
16	G3	D46	I/O	Data/port		(Port)	(Port)	(Port)	(Port)	(Port)
17	F6	D33	I/O	Data/port		(Port)	(Port)	(Port)	(Port)	(Port)
18	G2	VDDQ	Power	IO VDD (3.3 V)						
19	G5	VSSQ	Power	IO GND (0 V)						
20	G1	D45	I/O	Data/port		(Port)	(Port)	(Port)	(Port)	(Port)
21	G6	D34	I/O	Data/port		(Port)	(Port)	(Port)	(Port)	(Port)
22	H3	D44	I/O	Data/port		(Port)	(Port)	(Port)	(Port)	(Port)
23	H4	D35	I/O	Data/port		(Port)	(Port)	(Port)	(Port)	(Port)
24	H1	VDDQ	Power	IO VDD (3.3 V)						
25	H5	VSSQ	Power	IO GND (0 V)						
26	H2	D43	I/O	Data/port		(Port)	(Port)	(Port)	(Port)	(Port)
27	H6	D36	I/O	Data/port		(Port)	(Port)	(Port)	(Port)	(Port)
28	J3	D42	I/O	Data/port		(Port)	(Port)	(Port)	(Port)	(Port)
29	J5	D37	I/O	Data/port		(Port)	(Port)	(Port)	(Port)	(Port)
30	J1	VDDQ	Power	IO VDD (3.3 V)						

Table 1.4 Pin Functions (cont)

Pin No.	Pin No.	Pin Name	I/O	Function	Reset	Memory Interface				
						SRAM	DRAM	SDRAM	PCMCIA	MPX
31	J6	VSSQ	Power	IO GND (0 V)						
32	J4	D41	I/O	Data/port		(Port)	(Port)	(Port)	(Port)	(Port)
33	J2	D38	I/O	Data/port		(Port)	(Port)	(Port)	(Port)	(Port)
34	K6	D40	I/O	Data/port		(Port)	(Port)	(Port)	(Port)	(Port)
35	K1	D39	I/O	Data/port		(Port)	(Port)	(Port)	(Port)	(Port)
36	K5	VDDQ	Power	IO VDD (3.3 V)						
37	K3	VSSQ	Power	IO GND (0 V)						
38	K4	D15	I/O	Data						A15
39	K2	D0	I/O	Data						A0
40	L6	D14	I/O	Data						A14
41	L1	D1	I/O	Data						A1
42	L5	VDDQ	Power	IO VDD (3.3 V)						
43	L3	VSSQ	Power	IO GND (0 V)						
44	M5	D13	I/O	Data						A13
45	M1	D2	I/O	Data						A2
46	L4	VDD	Power	Internal VDD (1.5 V)						
47	L2	VSS	Power	Internal GND (0 V)						
48	N5	D12	I/O	Data						A12
49	M3	D3	I/O	Data						A3
50	M4	VDDQ	Power	IO VDD (3.3 V)						
51	N1	VSSQ	Power	IO GND (0 V)						
52	N4	D11	I/O	Data						A11
53	M2	D4	I/O	Data						A4
54	R3	D10	I/O	Data						A10
55	N3	D5	I/O	Data						A5
56	P3	VDDQ	Power	IO VDD (3.3 V)						
57	P1	VSSQ	Power	IO GND (0 V)						
58	U1	D9	I/O	Data						A9
59	R1	D6	I/O	Data						A6
60	T1	$\overline{\text{BACK}}$ / $\overline{\text{BSREQ}}$	O	Bus acknowledge/ bus request						

Table 1.4 Pin Functions (cont)

Pin No.	Pin No.	Pin Name	I/O	Function	Reset	Memory Interface				
						SRAM	DRAM	SDRAM	PCMCIA	MPX
61	R2	$\overline{\text{BREQ}}$ / $\overline{\text{BSACK}}$	I	Bus request/bus acknowledge						
62	T3	D8	I/O	Data						A8
63	U2	D7	I/O	Data						A7
64	R4	CKE	O	Clock output enable				CKE		
65	T5	VDDQ	Power	IO VDD (3.3 V)						
66	T2	VSSQ	Power	IO GND (0 V)						
67	R5	$\overline{\text{WE5/CAS5}}$ / DQM5	O	D47–D40 select signal		$\overline{\text{WE5}}$	$\overline{\text{CAS5}}$	DQM5		
68	P5	$\overline{\text{WE4/CAS4}}$ / DQM4	O	D39–D32 select signal		$\overline{\text{WE4}}$	$\overline{\text{CAS4}}$	DQM4		
69	U5	$\overline{\text{WE1/CAS1}}$ / DQM1	O	D15–D8 select signal		$\overline{\text{WE1}}$	$\overline{\text{CAS1}}$	DQM1	$\overline{\text{WE1}}$	
70	P6	$\overline{\text{WE0/CAS0}}$ / DQM0	O	D7–D0 select signal		$\overline{\text{WE0}}$	$\overline{\text{CAS0}}$	DQM0		
71	R6	A17	O	Address						
72	P4	VDDQ	Power	IO VDD (3.3 V)						
73	T6	VSSQ	Power	IO GND (0 V)						
74	N6	A16	O	Address						
75	U6	A15	O	Address						
76	P7	VDD	Power	Internal VDD (1.5 V)						
77	R7	VSS	Power	Internal GND (0 V)						
78	M6	A14	O	Address						
79	T7	A13	O	Address						
80	N7	VDDQ	Power	IO VDD (3.3 V)						
81	U7	VSSQ	Power	IO GND (0 V)						
82	R8	A12	O	Address						
83	P8	A11	O	Address						
84	U8	A10	O	Address						
85	N8	VDDQ	Power	IO VDD (3.3 V)						
86	T8	VSSQ	Power	IO GND (0 V)						
87	M8	A9	O	Address						
88	R9	A8	O	Address						

Table 1.4 Pin Functions (cont)

Pin No.	Pin No.	Pin Name	I/O	Function	Reset	Memory Interface				
						SRAM	DRAM	SDRAM	PCMCIA	MPX
89	N9	A7	O	Address						
90	U9	CKIO	O	Clock output				CKIO		
91	M9	VDDQ	Power	IO VDD (3.3 V)						
92	P9	VSSQ	Power	IO GND (0 V)						
93	T9	CKIO2	O	CKIO*				CKIO		
94	M10	A6	O	Address						
95	U10	A5	O	Address						
96	N10	A4	O	Address						
97	R10	VDDQ	Power	IO VDD (3.3 V)						
98	P10	VSSQ	Power	IO GND (0 V)						
99	T10	A3	O	Address						
100	M11	A2	O	Address						
101	U11	DRAK1	O	DMAC1 request acknowledge						
102	N11	DRAK0	O	DMAC0 request acknowledge						
103	R11	VDDQ	Power	IO VDD (3.3 V)						
104	N12	VSSQ	Power	IO GND (0 V)						
105	U12	$\overline{CS3}$	O	Chip select 3		$\overline{CS3}$	(CS3)	$\overline{CS3}$		$\overline{CS3}$
106	P11	$\overline{CS2}$	O	Chip select 2		$\overline{CS2}$	(CS2)	$\overline{CS2}$		$\overline{CS2}$
107	T11	VDD	Power	Internal VDD (1.5 V)						
108	N13	VSS	Power	Internal GND (0 V)						
109	R12	\overline{RAS}	O	\overline{RAS}			\overline{RAS}	\overline{RAS}		
110	P12	$\overline{RD/CAS/FRAME}$	O	Read/ \overline{CAS} / \overline{FRAME}		\overline{OE}		\overline{CAS}	\overline{OE}	\overline{FRAME}
111	U13	VDDQ	Power	IO VDD (3.3 V)						
112	P13	VSSQ	Power	IO GND (0 V)						
113	T12	$\overline{RD/WR}$	O	Read/write		$\overline{RD/WR}$	$\overline{RD/WR}$	$\overline{RD/WR}$		$\overline{RD/WR}$
114	R15	$\overline{WE2/CAS2/DQM2/ICIOR}$	O	D23–D16 select signal		$\overline{WE2}$	$\overline{CAS2}$	$\overline{DQM2}$	\overline{ICIOR}	
115	R13	$\overline{WE3/CAS3/DQM3/ICIOR}$	O	D31–D24 select signal		$\overline{WE3}$	$\overline{CAS3}$	$\overline{DQM3}$	\overline{ICIOR}	

Table 1.4 Pin Functions (cont)

Pin No. No.		Pin Name	I/O	Function	Reset	Memory Interface				
						SRAM	DRAM	SDRAM	PCMCIA	MPX
116	R14	$\overline{\text{WE6/CAS6/}}\text{DQM6}$	O	D55–D48 select signal		$\overline{\text{WE6}}$	$\overline{\text{CAS6}}$	DQM6		
117	U14	VDDQ	Power	IO VDD (3.3 V)						
118	U17	VSSQ	Power	IO GND (0 V)						
119	U15	$\overline{\text{WE7/CAS7/}}\text{DQM7/REG}$	O	D63–D56 select signal		$\overline{\text{WE7}}$	$\overline{\text{CAS7}}$	DQM7	$\overline{\text{REG}}$	
120	U16	D23	I/O	Data						A23
121	T13	D24	I/O	Data						A24
122	T15	D22	I/O	Data						A22
123	R16	RXD	I	SCI1 data input						
124	T17	$\overline{\text{DREQ0}}$	I	Request from DMAC0						
125	P17	$\overline{\text{DREQ1}}$	I	Request from DMAC1						
126	P15	D25	I/O	Data						A25
127	N16	VDDQ	Power	IO VDD (3.3 V)						
128	T16	VSSQ	Power	IO GND (0 V)						
129	N15	D21	I/O	Data						A21
130	N14	D26	I/O	Data						
131	N17	D20	I/O	Data						A20
132	M14	D27	I/O	Data						
133	M15	VDDQ	Power	IO VDD (3.3 V)						
134	P14	VSSQ	Power	IO GND (0 V)						
135	M16	D19	I/O	Data						A19
136	M13	D28	I/O	Data						
137	M17	VDD	Power	Internal VDD (1.5 V)						
138	L14	VSS	Power	Internal GND (0 V)						
139	L15	D18	I/O	Data						A18
140	M12	D29	I/O	Data						
141	L16	VDDQ	Power	IO VDD (3.3 V)						
142	L13	VSSQ	Power	IO GND (0 V)						
143	L17	D17	I/O	Data						A17
144	L12	D30	I/O	Data						

Table 1.4 Pin Functions (cont)

Pin No.	Pin No.	Pin Name	I/O	Function	Reset	Memory Interface				
						SRAM	DRAM	SDRAM	PCMCIA	MPX
145	K15	D16	I/O	Data						A16
146	K14	D31	I/O	Data						
147	K17	VDDQ	Power	IO VDD (3.3 V)						
148	K13	VSSQ	Power	IO GND (0 V)						
149	K16	D55	I/O	Data						
150	K12	D56	I/O	Data						
151	J15	D54	I/O	Data						
152	J13	D57	I/O	Data						
153	J17	VDDQ	Power	IO VDD (3.3 V)						
154	J12	VSSQ	Power	IO GND (0 V)						
155	J14	D53	I/O	Data						
156	J16	D58	I/O	Data						
157	H12	D52	I/O	Data						
158	H17	D59	I/O	Data						
159	H13	VDDQ	Power	IO VDD (3.3 V)						
160	H15	VSSQ	Power	IO GND (0 V)						
161	H14	D51	I/O	Data/port		(Port)	(Port)	(Port)	(Port)	(Port)
162	H16	D60	I/O	Data						
163	G12	D50	I/O	Data/port		(Port)	(Port)	(Port)	(Port)	(Port)
164	G17	D61	I/O	Data						ACCSIZE0
165	G13	VDDQ	Power	IO VDD (3.3 V)						
166	G15	VSSQ	Power	IO GND (0 V)						
167	F13	D49	I/O	Data/port		(Port)	(Port)	(Port)	(Port)	(Port)
168	F17	D62	I/O	Data						ACCSIZE1
169	G14	VDD	Power	Internal VDD (1.5 V)						
170	G16	VSS	Power	Internal GND (0 V)						
171	E13	D48	I/O	Data/port		(Port)	(Port)	(Port)	(Port)	(Port)
172	F15	D63	I/O	Data						ACCSIZE2
173	F14	VDDQ	Power	IO VDD (3.3 V)						
174	E17	VSSQ	Power	IO GND (0 V)						
175	E14	RD/WR $\bar{2}$	O	RD/WR $\bar{1}$		RD/WR	RD/WR	RD/WR		RD/WR

Table 1.4 Pin Functions (cont)

Pin		Memory Interface								
No.	Pin No.	Pin Name	I/O	Function	Reset	SRAM	DRAM	SDRAM	PCMCIA	MPX
176	F16	MD0/SCK	I/O	Mode/SCI1 clock	MD0	SCK	SCK	SCK	SCK	SCK
177	C15	MD1/TXD2	I/O	Mode/SCIF data output	MD1	TXD2	TXD2	TXD2	TXD2	TXD2
178	E15	MD2/RXD2	I	Mode/SCIF data input	MD2	RXD2	RXD2	RXD2	RXD2	RXD2
179	D15	$\overline{\text{IRL0}}$	I	Interrupt 0						
180	D17	$\overline{\text{IRL1}}$	I	Interrupt 1						
181	A17	$\overline{\text{IRL2}}$	I	Interrupt 2						
182	B17	$\overline{\text{IRL3}}$	I	Interrupt 3						
183	C16	NMI	I	Nonmaskable interrupt						
184	A15	XTAL2	O	RTC crystal resonator pin						
185	A16	EXTAL2	I	RTC crystal resonator pin						
186	A14	VSS-RTC	Power	RTC GND (0 V)						
187	C14	VDD-RTC	Power	RTC VDD (3.3 V)						
188	B13	CA	I	Hardware standby request						
189	C13	VDDQ	Power	IO VDD (3.3 V)						
190	D13	$\overline{\text{CTS2}}$	I/O	SCIF data control (CTS)						
191	A13	TCLK	I/O	RTC/TMU clock						
192	D12	MD8/ $\overline{\text{RTS2}}$	I/O	Mode/SCIF data control ($\overline{\text{RTS}}$)	MD8	$\overline{\text{RTS2}}$	$\overline{\text{RTS2}}$	$\overline{\text{RTS2}}$	$\overline{\text{RTS2}}$	$\overline{\text{RTS2}}$
193	C12	VDDQ	Power	IO VDD (3.3 V)						
194	D14	VSSQ	Power	IO GND (0 V)						
195	B12	MD7/TXD	I/O	Mode/SCI1 data output	MD7	TXD	TXD	TXD	TXD	TXD
196	E12	SCK2/ $\overline{\text{MRESET}}$	I	SCIF clock/manual reset	$\overline{\text{MRESET}}$	SCK2	SCK2	SCK2	SCK2	SCK2
197	A12	VDD	Power	Internal VDD (1.5 V)						

Table 1.4 Pin Functions (cont)

Pin No.	Pin No.	Pin Name	I/O	Function	Reset	Memory Interface				
						SRAM	DRAM	SDRAM	PCMCIA	MPX
198	D11	VSS	Power	Internal GND (0 V)						
199	C11	A18	O	Address						
200	F12	A19	O	Address						
201	B11	VDDQ	Power	IO VDD (3.3 V)						
202	E11	VSSQ	Power	IO GND (0 V)						
203	A11	A20	O	Address						
204	F11	A21	O	Address						
205	C10	A22	O	Address						
206	D10	A23	O	Address						
207	A10	VDDQ	Power	IO VDD (3.3 V)						
208	E10	VSSQ	Power	IO GND (0 V)						
209	B10	A24	O	Address						
210	F10	A25	O	Address						
211	C9	MD3/ $\overline{\text{CE2A}}$	I/O	Mode/ PCMCIA-CE	MD3				$\overline{\text{CE2A}}$	
212	E9	MD4/ $\overline{\text{CE2B}}$	I/O	Mode/ PCMCIA-CE	MD4				$\overline{\text{CE2B}}$	
213	A9	VDDQ	Power	IO VDD (3.3 V)						
214	F9	VSSQ	Power	IO GND (0 V)						
215	D9	MD5/ $\overline{\text{RAS2}}$	I/O	Mode/ $\overline{\text{RAS}}$ (DRAM)	MD5		$\overline{\text{RAS2}}$			
216	B9	DACK0	O	DMAC0 bus acknowledge						
217	F8	DACK1	O	DMAC1 bus acknowledge						
218	A8	A0	O	Address						
219	E8	VDDQ	Power	IO VDD (3.3 V)						
220	C8	VSSQ	Power	IO GND (0 V)						
221	D8	A1	O	Address						
222	B8	STATUS0	O	Status						
223	F7	STATUS1	O	Status						
224	A7	MD6/ $\overline{\text{IOIS16}}$	I	Mode/ $\overline{\text{IOIS16}}$ (PCMCIA)	MD6				$\overline{\text{IOIS16}}$	
225	E7	VDDQ	Power	IO VDD (3.3 V)						
226	C7	VSSQ	Power	IO GND (0 V)						

Table 1.4 Pin Functions (cont)

Pin No.	Pin No.	Pin Name	I/O	Function	Reset	Memory Interface				
						SRAM	DRAM	SDRAM	PCMCIA	MPX
227	E6	ASEBRK/ BRKACK	I/O	Pin break/ acknowledge (H-UDI)						
228	A6	TDO	O	Data out (H-UDI)						
229	D7	VDD	Power	Internal VDD (1.5 V)						
230	B7	VSS	Power	Internal GND (0 V)						
231	E5	TMS	I	Mode (H-UDI)						
232	C6	TCK	I	Clock (H-UDI)						
233	D6	TDI	I	Data in (H-UDI)						
234	A5	$\overline{\text{TRST}}$	I	Reset (H-UDI)						
235	D5	$\overline{\text{CKIO2ENB}}$	I	CKIO2, $\overline{\text{RD2}}$, RD/ $\overline{\text{WR2}}$ enable						
236	B6	VDD-PLL2	Power	PLL2 VDD (3.3V)						
237	C3	VSS-PLL2	Power	PLL2 GND (0V)						
238	C5	VDD-PLL1	Power	PLL1 VDD (3.3V)						
239	C4	VSS-PLL1	Power	PLL1 GND (0V)						
240	A4	VDD-CPG	Power	CPG VDD (3.3V)						
241	A1	VSS-CPG	Power	CPG GND (0V)						
242	A2	XTAL	O	Crystal resonator						
243	A3	EXTAL	I	External clock/ crystal resonator						
244	B3	NC-1								
245	B4	NC-2								
246	B5	NC-3								
247	B14	NC-4								
248	B15	NC-5								
249	B16	NC-6								
250	C1	NC-7								
251	C17	NC-8								
252	D1	NC-9								
253	D2	NC-10								
254	D16	NC-11								
255	E16	NC-12								

Table 1.4 Pin Functions (cont)

Pin No.	Pin No.	Pin Name	I/O	Function	Reset	Memory Interface				
						SRAM	DRAM	SDRAM	PCMCIA	MPX
256	M7	NC-13								
257	N2	NC-14								
258	P2	NC-15								
259	P16	NC-16								
260	R17	NC-17								
261	T4	NC-18								
262	T14	NC-19								
263	U3	NC-20								
264	U4	NC-21								

I: Input

O: Output

I/O: Input/output

Power: Power supply

- Notes:
1. Except in hardware standby mode, supply power to all power pins. In hardware standby mode, supply power to RTC as a minimum.
 2. Power must be supplied to VDD-PLL1/2 and VSS-PLL1/2 regardless of whether or not the on-chip PLL circuits are used.
 3. Power must be supplied to VDD-CPG and VSS-CPG regardless of whether or not the on-chip crystal resonator is used.
 4. Power must be supplied to VDD-RTC and VSS-RTC regardless of whether or not the on-chip RTC is used.
 5. At least the RTC power supply must be supplied in hardware standby mode.
 6. NC pins must be left completely open, and not connected to a power supply, GND, etc.
- * CKIO2 is not connected to PLL2.

Section 2 Programming Model

2.1 Data Formats

The data formats handled by the SH7750 Series are shown in figure 2.1.

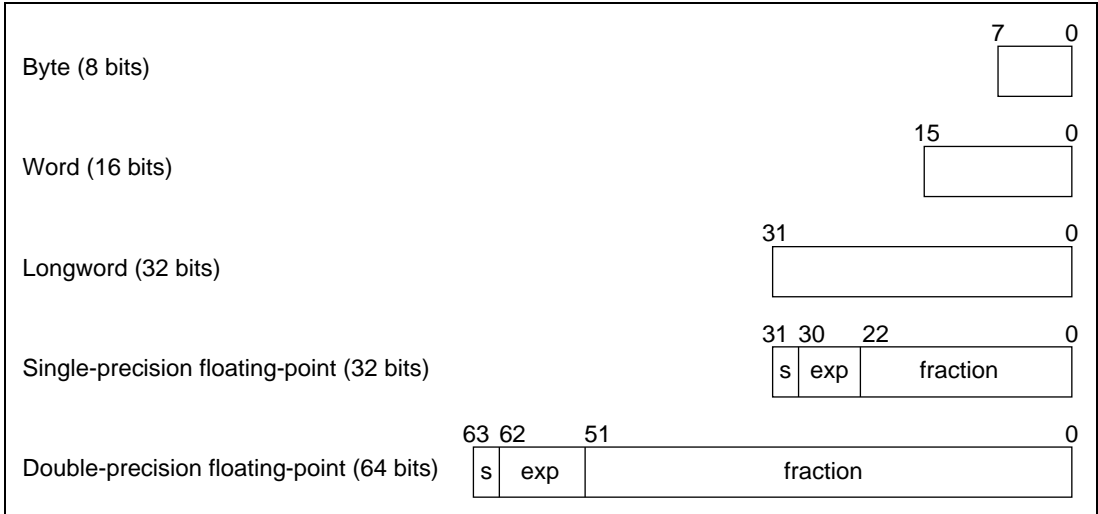


Figure 2.1 Data Formats

2.2 Register Configuration

2.2.1 Privileged Mode and Banks

Processor Modes: The SH7750 Series has two processor modes, user mode and privileged mode. The SH7750 Series normally operates in user mode, and switches to privileged mode when an exception occurs or an interrupt is accepted. There are four kinds of registers—general registers, system registers, control registers, and floating-point registers—and the registers that can be accessed differ in the two processor modes.

General Registers: There are 16 general registers, designated R0 to R15. General registers R0 to R7 are banked registers which are switched by a processor mode change.

In privileged mode, the register bank bit (RB) in the status register (SR) defines which banked register set is accessed as general registers, and which set is accessed only through the load control register (LDC) and store control register (STC) instructions.

When the RB bit is 1 (that is, when bank 1 is selected), the 16 registers comprising bank 1 general registers R0_BANK1 to R7_BANK1 and non-banked general registers R8 to R15 can be accessed as general registers R0 to R15. In this case, the eight registers comprising bank 0 general registers R0_BANK0 to R7_BANK0 are accessed by the LDC/STC instructions. When the RB bit is 0 (that is, when bank 0 is selected), the 16 registers comprising bank 0 general registers R0_BANK0 to R7_BANK0 and non-banked general registers R8 to R15 can be accessed as general registers R0 to R15. In this case, the eight registers comprising bank 1 general registers R0_BANK1 to R7_BANK1 are accessed by the LDC/STC instructions.

In user mode, the 16 registers comprising bank 0 general registers R0_BANK0 to R7_BANK0 and non-banked general registers R8 to R15 can be accessed as general registers R0 to R15. The eight registers comprising bank 1 general registers R0_BANK1 to R7_BANK1 cannot be accessed.

Control Registers: Control registers comprise the global base register (GBR) and status register (SR), which can be accessed in both processor modes, and the saved status register (SSR), saved program counter (SPC), vector base register (VBR), saved general register 15 (SGR), and debug base register (DBR), which can only be accessed in privileged mode. Some bits of the status register (such as the RB bit) can only be accessed in privileged mode.

System Registers: System registers comprise the multiply-and-accumulate registers (MACH/MACL), the procedure register (PR), the program counter (PC), the floating-point status/control register (FPSCR), and the floating-point communication register (FPUL). Access to these registers does not depend on the processor mode.

Floating-Point Registers: There are thirty-two floating-point registers, FR0–FR15 and XF0–XF15. FR0–FR15 and XF0–XF15 can be assigned to either of two banks (FPR0_BANK0–FPR15_BANK0 or FPR0_BANK1–FPR15_BANK1).

FR0–FR15 can be used as the eight registers DR0/2/4/6/8/10/12/14 (double-precision floating-point registers, or pair registers) or the four registers FV0/4/8/12 (register vectors), while XF0–XF15 can be used as the eight registers XD0/2/4/6/8/10/12/14 (register pairs) or register matrix XMTRX.

Register values after a reset are shown in table 2.1.

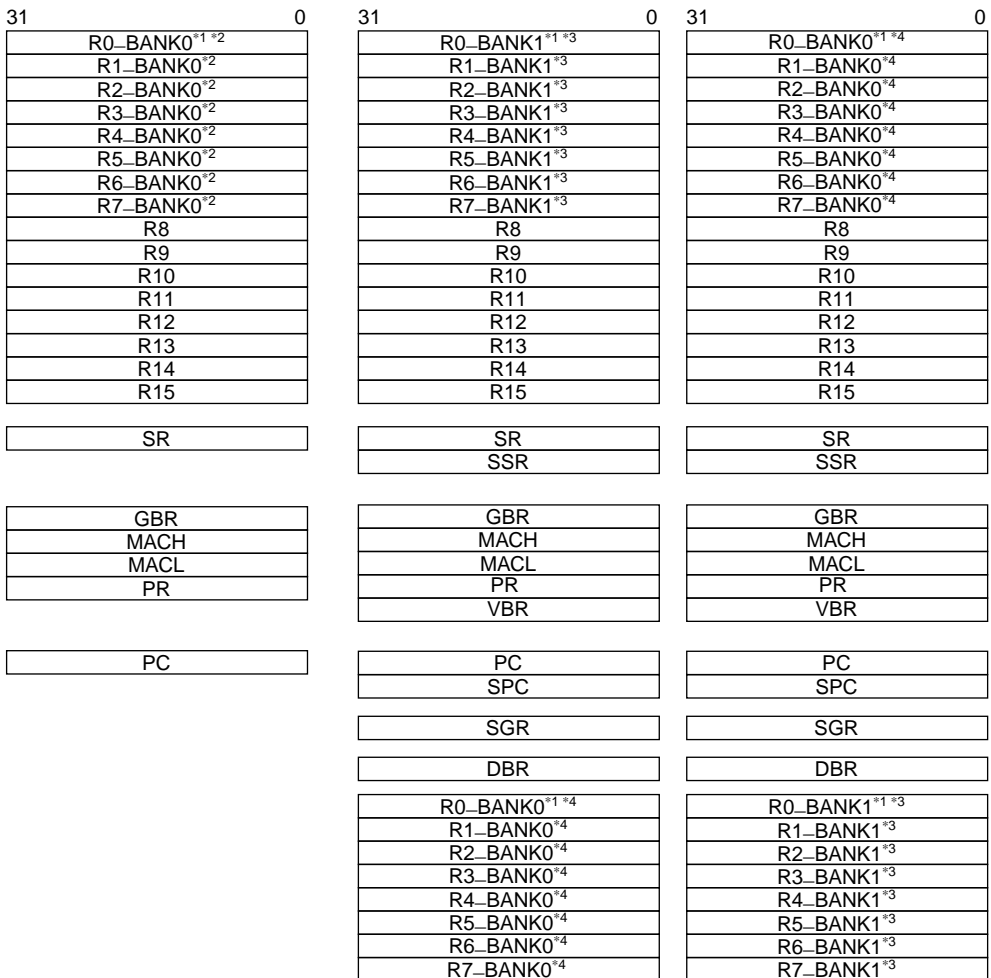
Table 2.1 Initial Register Values

Type	Registers	Initial Value*
General registers	R0_BANK0–R7_BANK0, R0_BANK1–R7_BANK1, R8–R15	Undefined
Control registers	SR	MD bit = 1, RB bit = 1, BL bit = 1, FD bit = 0, I3–I0 = 1111 (H'F), reserved bits = 0, others undefined
	GBR, SSR, SPC, SGR, DBR	Undefined
	VBR	H'00000000
System registers	MACH, MACL, PR, FPUL	Undefined
	PC	H'A0000000
	FPSCR	H'00040001
Floating-point registers	FR0–FR15, XF0–XF15	Undefined

Note: * Initialized by a power-on reset and manual reset.

The register configuration in each processor is shown in figure 2.2.

Switching between user mode and privileged mode is controlled by the processor mode bit (MD) in the status register.



(a) Register configuration in user mode

(b) Register configuration in privileged mode (RB = 1)

(c) Register configuration in privileged mode (RB = 0)

Notes: *1 The R0 register is used as the index register in indexed register-indirect addressing mode and indexed GBR indirect addressing mode.

*2 Banked registers

*3 Banked registers

Accessed as general registers when the RB bit is set to 1 in the SR register. Accessed only by LDC/STC instructions when the RB bit is cleared to 0.

*4 Banked registers

Accessed as general registers when the RB bit is cleared to 0 in the SR register. Accessed only by LDC/STC instructions when the RB bit is set to 1.

Figure 2.2 CPU Register Configuration in Each Processor Mode

2.2.2 General Registers

Figure 2.3 shows the relationship between the processor modes and general registers. The SH7750 Series has twenty-four 32-bit general registers (R0_BANK0–R7_BANK0, R0_BANK1–R7_BANK1, and R8–R15). However, only 16 of these can be accessed as general registers R0–R15 in one processor mode. The SH7750 Series has two processor modes, user mode and privileged mode, in which R0–R7 are assigned as shown below.

- R0_BANK0–R7_BANK0

In user mode (SR.MD = 0), R0–R7 are always assigned to R0_BANK0–R7_BANK0.

In privileged mode (SR.MD = 1), R0–R7 are assigned to R0_BANK0–R7_BANK0 only when SR.RB = 0.

- R0_BANK1–R7_BANK1

In user mode, R0_BANK1–R7_BANK1 cannot be accessed.

In privileged mode, R0–R7 are assigned to R0_BANK1–R7_BANK1 only when SR.RB = 1.

SR.MD = 0 or

(SR.MD = 1, SR.RB = 0)

(SR.MD = 1, SR.RB = 1)

R0	R0_BANK0	R0_BANK0
R1	R1_BANK0	R1_BANK0
R2	R2_BANK0	R2_BANK0
R3	R3_BANK0	R3_BANK0
R4	R4_BANK0	R4_BANK0
R5	R5_BANK0	R5_BANK0
R6	R6_BANK0	R6_BANK0
R7	R7_BANK0	R7_BANK0
R0_BANK1	R0_BANK1	R0
R1_BANK1	R1_BANK1	R1
R2_BANK1	R2_BANK1	R2
R3_BANK1	R3_BANK1	R3
R4_BANK1	R4_BANK1	R4
R5_BANK1	R5_BANK1	R5
R6_BANK1	R6_BANK1	R6
R7_BANK1	R7_BANK1	R7
R8	R8	R8
R9	R9	R9
R10	R10	R10
R11	R11	R11
R12	R12	R12
R13	R13	R13
R14	R14	R14
R15	R15	R15

Figure 2.3 General Registers

Programming Note: As the user's R0–R7 are assigned to R0_BANK0–R7_BANK0, and after an exception or interrupt R0–R7 are assigned to R0_BANK1–R7_BANK1, it is not necessary for the interrupt handler to save and restore the user's R0–R7 (R0_BANK0–R7_BANK0).

After a reset, the values of R0_BANK0–R7_BANK0, R0_BANK1–R7_BANK1, and R8–R15 are undefined.

2.2.3 Floating-Point Registers

Figure 2.4 shows the floating-point registers. There are thirty-two 32-bit floating-point registers, divided into two banks (FPR0_BANK0–FPR15_BANK0 and FPR0_BANK1–FPR15_BANK1). These 32 registers are referenced as FR0–FR15, DR0/2/4/6/8/10/12/14, FV0/4/8/12, XF0–XF15, XD0/2/4/6/8/10/12/14, or XMTRX. The correspondence between FPRn_BANKi and the reference name is determined by the FR bit in FPSCR (see figure 2.4).

- Floating-point registers, FPRn_BANKi (32 registers)
FPR0_BANK0, FPR1_BANK0, FPR2_BANK0, FPR3_BANK0, FPR4_BANK0, FPR5_BANK0, FPR6_BANK0, FPR7_BANK0, FPR8_BANK0, FPR9_BANK0, FPR10_BANK0, FPR11_BANK0, FPR12_BANK0, FPR13_BANK0, FPR14_BANK0, FPR15_BANK0

FPR0_BANK1, FPR1_BANK1, FPR2_BANK1, FPR3_BANK1, FPR4_BANK1, FPR5_BANK1, FPR6_BANK1, FPR7_BANK1, FPR8_BANK1, FPR9_BANK1, FPR10_BANK1, FPR11_BANK1, FPR12_BANK1, FPR13_BANK1, FPR14_BANK1, FPR15_BANK1
- Single-precision floating-point registers, FRi (16 registers)
When FPSCR.FR = 0, FR0–FR15 are assigned to FPR0_BANK0–FPR15_BANK0.
When FPSCR.FR = 1, FR0–FR15 are assigned to FPR0_BANK1–FPR15_BANK1.
- Double-precision floating-point registers or single-precision floating-point register pairs, DRi (8 registers): A DR register comprises two FR registers.
DR0 = {FR0, FR1}, DR2 = {FR2, FR3}, DR4 = {FR4, FR5}, DR6 = {FR6, FR7},
DR8 = {FR8, FR9}, DR10 = {FR10, FR11}, DR12 = {FR12, FR13}, DR14 = {FR14, FR15}
- Single-precision floating-point vector registers, FVi (4 registers): An FV register comprises four FR registers
FV0 = {FR0, FR1, FR2, FR3}, FV4 = {FR4, FR5, FR6, FR7},
FV8 = {FR8, FR9, FR10, FR11}, FV12 = {FR12, FR13, FR14, FR15}
- Single-precision floating-point extended registers, XFi (16 registers)
When FPSCR.FR = 0, XF0–XF15 are assigned to FPR0_BANK1–FPR15_BANK1.
When FPSCR.FR = 1, XF0–XF15 are assigned to FPR0_BANK0–FPR15_BANK0.
- Single-precision floating-point extended register pairs, XD_i (8 registers): An XD register comprises two XF registers
XD0 = {XF0, XF1}, XD2 = {XF2, XF3}, XD4 = {XF4, XF5}, XD6 = {XF6, XF7},
XD8 = {XF8, XF9}, XD10 = {XF10, XF11}, XD12 = {XF12, XF13}, XD14 = {XF14, XF15}

- Single-precision floating-point extended register matrix, XMTRX: XMTRX comprises all 16 XF registers

$$\text{XMTRX} = \begin{bmatrix} \text{XF0} & \text{XF4} & \text{XF8} & \text{XF12} \\ \text{XF1} & \text{XF5} & \text{XF9} & \text{XF13} \\ \text{XF2} & \text{XF6} & \text{XF10} & \text{XF14} \\ \text{XF3} & \text{XF7} & \text{XF11} & \text{XF15} \end{bmatrix}$$

<u>FPSCR.FR = 0</u>				<u>FPSCR.FR = 1</u>			
FV0	DR0	FR0	FPR0_BANK0	XF0	XD0	XMTRX	
		FR1	FPR1_BANK0	XF1			
	DR2	FR2	FPR2_BANK0	XF2	XD2		
		FR3	FPR3_BANK0	XF3			
FV4	DR4	FR4	FPR4_BANK0	XF4	XD4		
		FR5	FPR5_BANK0	XF5			
	DR6	FR6	FPR6_BANK0	XF6	XD6		
		FR7	FPR7_BANK0	XF7			
FV8	DR8	FR8	FPR8_BANK0	XF8	XD8		
		FR9	FPR9_BANK0	XF9			
	DR10	FR10	FPR10_BANK0	XF10	XD10		
		FR11	FPR11_BANK0	XF11			
FV12	DR12	FR12	FPR12_BANK0	XF12	XD12		
		FR13	FPR13_BANK0	XF13			
	DR14	FR14	FPR14_BANK0	XF14	XD14		
		FR15	FPR15_BANK0	XF15			
XMTRX	XD0	XF0	FPR0_BANK1	FR0	DR0	FV0	
		XF1	FPR1_BANK1	FR1			
	XD2	XF2	FPR2_BANK1	FR2	DR2		
		XF3	FPR3_BANK1	FR3			
	XD4	XF4	XF4	FPR4_BANK1	FR4	DR4	FV4
			XF5	FPR5_BANK1	FR5		
		XD6	XF6	FPR6_BANK1	FR6	DR6	
			XF7	FPR7_BANK1	FR7		
	XD8	XF8	XF8	FPR8_BANK1	FR8	DR8	FV8
			XF9	FPR9_BANK1	FR9		
		XD10	XF10	FPR10_BANK1	FR10	DR10	
			XF11	FPR11_BANK1	FR11		
	XD12	XF12	XF12	FPR12_BANK1	FR12	DR12	FV12
			XF13	FPR13_BANK1	FR13		
		XD14	XF14	FPR14_BANK1	FR14	DR14	
			XF15	FPR15_BANK1	FR15		

Figure 2.4 Floating-Point Registers

Programming Note: After a reset, the values of FPR0_BANK0–FPR15_BANK0 and FPR0_BANK1–FPR15_BANK1 are undefined.

2.2.4 Control Registers

Status register, SR (32 bits, privilege protection, initial value = 0111 0000 0000 0000 0000 1111 00XX (X: undefined))

31	30	29	28	27		16	15	14		10	9	8	7		4	3	2	1	0
—	MD	RB	BL		—		FD		—		M	Q		IMASK		—		S	T

Note: —: Reserved. These bits are always read as 0, and should only be written with 0.

- **MD:** Processor mode
 MD = 0: User mode (some instructions cannot be executed, and some resources cannot be accessed)
 MD = 1: Privileged mode
- **RB:** General register bank specifier in privileged mode (set to 1 by a reset, exception, or interrupt)
 RB = 0: R0_BANK0–R7_BANK0 are accessed as general registers R0–R7. (R0_BANK1–R7_BANK1 can be accessed using LDC/STC R0_BANK–R7_BANK instructions.)
 RB = 1: R0_BANK1–R7_BANK1 are accessed as general registers R0–R7. (R0_BANK0–R7_BANK0 can be accessed using LDC/STC R0_BANK–R7_BANK instructions.)
- **BL:** Exception/interrupt block bit (set to 1 by a reset, exception, or interrupt)
 BL = 1: Interrupt requests are masked. If a general exception other than a user break occurs while BL = 1, the processor switches to the reset state.
- **FD:** FPU disable bit (cleared to 0 by a reset)
 FD = 1: An FPU instruction causes a general FPU disable exception, and if the FPU instruction is in a delay slot, a slot FPU disable exception is generated. (FPU instructions: H'F*** instructions, LDC(.L)/STS(.L) instructions for FPUL/FPSCR)
- **M, Q:** Used by the DIV0S, DIV0U, and DIV1 instructions.
- **IMASK:** Interrupt mask level
 External interrupts of a same level or a lower level than IMASK are masked.
- **S:** Specifies a saturation operation for a MAC instruction.
- **T:** True/false condition or carry/borrow bit

Saved status register, SSR (32 bits, privilege protection, initial value undefined): The current contents of SR are saved to SSR in the event of an exception or interrupt.

Saved program counter, SPC (32 bits, privilege protection, initial value undefined): The address of an instruction at which an interrupt or exception occurs is saved to SPC.

Global base register, GBR (32 bits, initial value undefined): GBR is referenced as the base address in a GBR-referencing MOV instruction.

Vector base register, VBR (32 bits, privilege protection, initial value = H'0000 0000): VBR is referenced as the branch destination base address in the event of an exception or interrupt. For details, see section 5, Exceptions.

Saved general register 15, SGR (32 bits, privilege protection, initial value undefined): The contents of R15 are saved to SGR in the event of an exception or interrupt.

Debug base register, DBR (32 bits, privilege protection, initial value undefined): When the user break debug function is enabled (BRCR.UBDE = 1), DBR is referenced as the user break handler branch destination address instead of VBR.

2.2.5 System Registers

Multiply-and-accumulate register high, MACH (32 bits, initial value undefined)

Multiply-and-accumulate register low, MACL (32 bits, initial value undefined)

MACH/MACL is used for the added value in a MAC instruction, and to store a MAC instruction or MUL operation result.

Procedure register, PR (32 bits, initial value undefined): The return address is stored in PR in a subroutine call using a BSR, BSRF, or JSR instruction, and PR is referenced by the subroutine return instruction (RTS).

Program counter, PC (32 bits, initial value = H'A000 0000): PC indicates the instruction fetch address.

Floating-point status/control register, FPSCR (32 bits, initial value = H'0004 0001)

31	22	21	20	19	18	17	12	11	7	6	2	1	0
—				FR	SZ	PR	DN	Cause	Enable	Flag	RM		

Note: —: Reserved. These bits are always read as 0, and should only be written with 0.

- **FR: Floating-point register bank**
 FR = 0: FPR0_BANK0–FPR15_BANK0 are assigned to FR0–FR15; FPR0_BANK1–FPR15_BANK1 are assigned to XF0–XF15.
 FR = 1: FPR0_BANK0–FPR15_BANK0 are assigned to XF0–XF15; FPR0_BANK1–FPR15_BANK1 are assigned to FR0–FR15.
- **SZ: Transfer size mode**
 SZ = 0: The data size of the FMOV instruction is 32 bits.
 SZ = 1: The data size of the FMOV instruction is a 32-bit register pair (64 bits).
- **PR: Precision mode**
 PR = 0: Floating-point instructions are executed as single-precision operations.
 PR = 1: Floating-point instructions are executed as double-precision operations (the result of instructions for which double-precision is not supported is undefined).
 Do not set SZ and PR to 1 simultaneously; this setting is reserved.
 [SZ, PR = 11]: Reserved (FPU operation instruction is undefined).
- **DN: Denormalization mode**
 DN = 0: A denormalized number is treated as such.
 DN = 1: A denormalized number is treated as zero.
- **Cause: FPU exception cause field**
- **Enable: FPU exception enable field**
- **Flag: FPU exception flag field**

		FPU Error (E)	Invalid Operation (V)	Division by Zero (Z)	Overflow (O)	Underflow (U)	Inexact (I)
Cause	FPU exception cause field	Bit 17	Bit 16	Bit 15	Bit 14	Bit 13	Bit 12
Enable	FPU exception enable field	None	Bit 11	Bit 10	Bit 9	Bit 8	Bit 7
Flag	FPU exception flag field	None	Bit 6	Bit 5	Bit 4	Bit 3	Bit 2

When an FPU operation instruction is executed, the FPU exception cause field is cleared to zero first. When the next FPU exception is occurred, the corresponding bits in the FPU exception cause field and FPU exception flag field are set to 1. The FPU exception flag field holds the status of the exception generated after the field was last cleared.

- RM: Rounding mode
RM = 00: Round to Nearest
RM = 01: Round to Zero
RM = 10: Reserved
RM = 11: Reserved
- Bits 22 to 31: Reserved

Floating-point communication register, FPUL (32 bits, initial value undefined): Data transfer between FPU registers and CPU registers is carried out via the FPUL register.

Programming Note: When SZ = 1 and big endian mode is selected, FMOV can be used for double-precision floating-point load or store operations. In little endian mode, two 32-bit data size moves must be executed, with SZ = 0, to load or store a double-precision floating-point number.

2.3 Memory-Mapped Registers

Appendix A, Address List shows the control registers mapped to memory. The control registers are double-mapped to the following two memory areas. All registers have two addresses.

H'1C00 0000–H'1FFF FFFF
H'FC00 0000–H'FFFF FFFF

These two areas are used as follows.

- H'1C00 0000–H'1FFF FFFF
This area must be accessed using the address translation function of the MMU. Setting the page number of this area to the corresponding filed of the TLB enables access to a memory-mapped register. Accessing this area without using the address translation function of the MMU is not guaranteed.
- H'FC00 0000–H'FFFF FFFF
Access to area H'FF00 0000–H'FFFF FFFF in user mode will cause an address error. Memory-mapped registers can be referenced in user mode by means of access that involves address translation.

Note: Do not access undefined locations in either area The operation of an access to an undefined location is undefined. Also, memory-mapped registers must be accessed using a fixed data size. The operation of an access using an invalid data size is undefined.

Note: The SH7750 Series does not support endian conversion for the 64-bit data format. Therefore, if double-precision floating-point format (64-bit) access is performed in little endian mode, the upper and lower 32 bits will be reversed.

2.6 Processor States

The SH7750 Series has five processor states: the reset state, exception-handling state, bus-released state, program execution state, and power-down state.

Reset State: In this state the CPU is reset. The reset state is entered when the $\overline{\text{RESET}}$ pin goes low. The CPU enters the power-on reset state if the $\overline{\text{MRESET}}$ pin is high, and the manual reset state if the $\overline{\text{MRESET}}$ pin is low. For more information on resets, see section 5, Exceptions.

In the power-on reset state, the internal state of the CPU and the on-chip peripheral module registers are initialized. In the manual reset state, the internal state of the CPU and registers of on-chip peripheral modules other than the bus state controller (BSC) are initialized. Since the bus state controller (BSC) is not initialized in the manual reset state, refreshing operations continue. Refer to the register configurations in the relevant sections for further details.

Exception-Handling State: This is a transient state during which the CPU's processor state flow is altered by a reset, general exception, or interrupt exception handling source.

In the case of a reset, the CPU branches to address H'A000 0000 and starts executing the user-coded exception handling program.

In the case of a general exception or interrupt, the program counter (PC) contents are saved in the saved program counter (SPC), the status register (SR) contents are saved in the saved status register (SSR), and the R15 contents are saved in saved general register 15 (SGR). The CPU branches to the start address of the user-coded exception service routine found from the sum of the contents of the vector base address and the vector offset. See section 5, Exceptions, for more information on resets, general exceptions, and interrupts.

Program Execution State: In this state the CPU executes program instructions in sequence.

Power-Down State: In the power-down state, CPU operation halts and power consumption is reduced. The power-down state is entered by executing a SLEEP instruction. There are two modes in the power-down state: sleep mode and standby mode. For details, see section 9, Power-Down Modes.

Bus-Released State: In this state the CPU has released the bus to a device that requested it.

Transitions between the states are shown in figure 2.6.

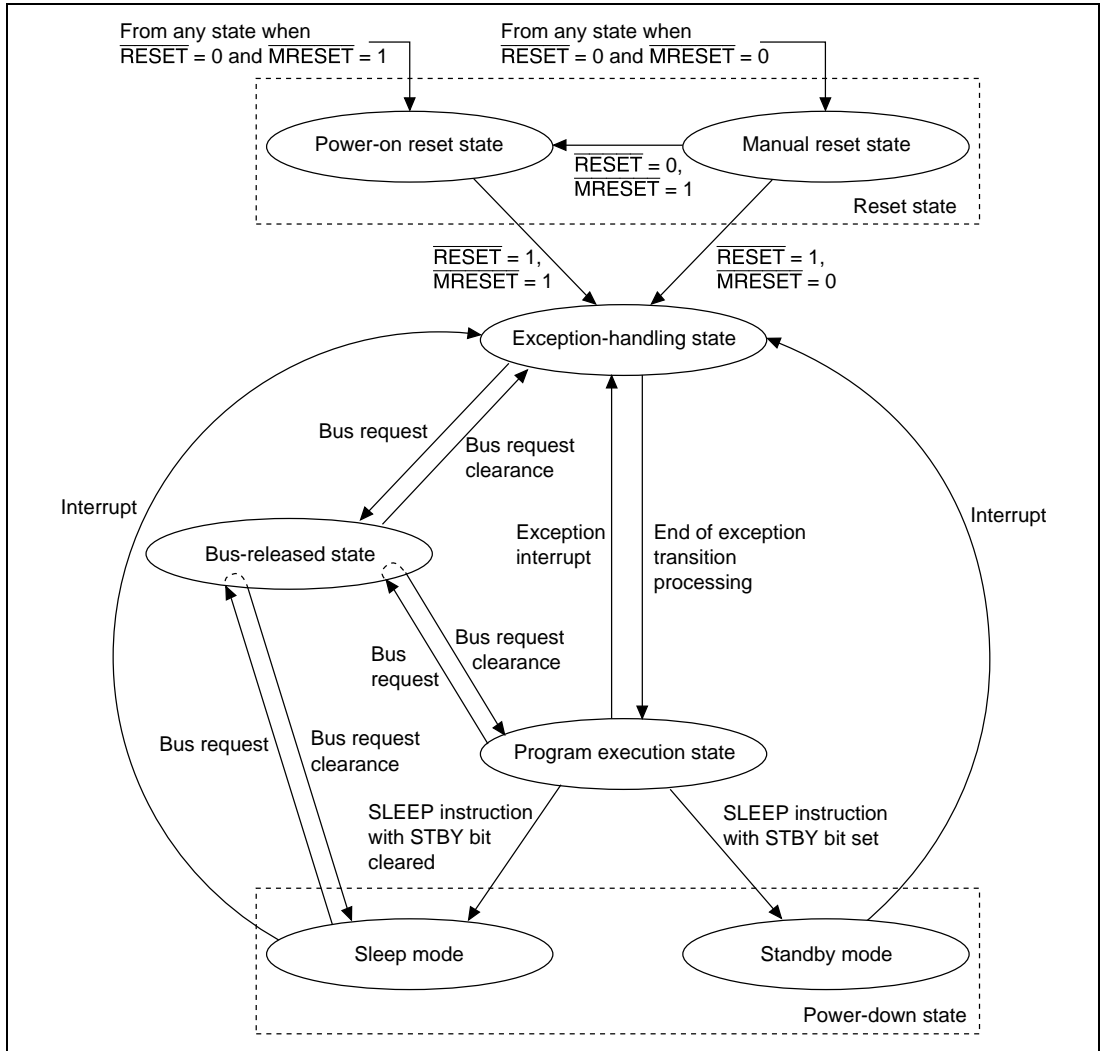


Figure 2.6 Processor State Transitions

2.7 Processor Modes

There are two processor modes: user mode and privileged mode. The processor mode is determined by the processor mode bit (MD) in the status register (SR). User mode is selected when the MD bit is cleared to 0, and privileged mode when the MD bit is set to 1. When the reset state or exception state is entered, the MD bit is set to 1. There are certain registers and bits which can only be accessed in privileged mode.

Section 3 Memory Management Unit (MMU)

3.1 Overview

3.1.1 Features

The SH7750 Series can handle 29-bit external memory space from an 8-bit address space identifier and 32-bit logical (virtual) address space. Address translation from virtual address to physical address is performed using the memory management unit (MMU) built into the SH7750 Series. The MMU performs high-speed address translation by caching user-created address translation table information in an address translation buffer (translation lookaside buffer: TLB). The SH7750 Series has four instruction TLB (ITLB) entries and 64 unified TLB (UTLB) entries. UTLB copies are stored in the ITLB by hardware. A paging system is used for address translation, with support for four page sizes (1, 4, and 64 kbytes, and 1 Mbyte). It is possible to set the virtual address space access right and implement storage protection independently for privileged mode and user mode.

3.1.2 Role of the MMU

The MMU was conceived as a means of making efficient use of physical memory. As shown in figure 3.1, when a process is smaller in size than the physical memory, the entire process can be mapped onto physical memory, but if the process increases in size to the point where it does not fit into physical memory, it becomes necessary to divide the process into smaller parts, and map the parts requiring execution onto physical memory on an ad hoc basis ((1)). Having this mapping onto physical memory executed consciously by the process itself imposes a heavy burden on the process. The virtual memory system was devised as a means of handling all physical memory mapping to reduce this burden ((2)). With a virtual memory system, the size of the available virtual memory is much larger than the actual physical memory, and processes are mapped onto this virtual memory. Thus processes only have to consider their operation in virtual memory, and mapping from virtual memory to physical memory is handled by the MMU. The MMU is normally managed by the OS, and physical memory switching is carried out so as to enable the virtual memory required by a task to be mapped smoothly onto physical memory. Physical memory switching is performed via secondary storage, etc.

The virtual memory system that came into being in this way works to best effect in a time sharing system (TSS) that allows a number of processes to run simultaneously ((3)). Running a number of processes in a TSS did not increase efficiency since each process had to take account of physical memory mapping. Efficiency is improved and the load on each process reduced by the use of a virtual memory system ((4)). In this system, virtual memory is allocated to each process. The task of the MMU is to map a number of virtual memory areas onto physical memory in an efficient manner. It is also provided with memory protection functions to prevent a process from inadvertently accessing another process's physical memory.

When address translation from virtual memory to physical memory is performed using the MMU, it may happen that the translation information has not been recorded in the MMU, or the virtual memory of a different process is accessed by mistake. In such cases, the MMU will generate an exception, change the physical memory mapping, and record the new address translation information.

Although the functions of the MMU could be implemented by software alone, having address translation performed by software each time a process accessed physical memory would be very inefficient. For this reason, a buffer for address translation (the translation lookaside buffer: TLB) is provided in hardware, and frequently used address translation information is placed here. The TLB can be described as a cache for address translation information. However, unlike a cache, if address translation fails—that is, if an exception occurs—switching of the address translation information is normally performed by software. Thus memory management can be performed in a flexible manner by software.

There are two methods by which the MMU can perform mapping from virtual memory to physical memory: the paging method, using fixed-length address translation, and the segment method, using variable-length address translation. With the paging method, the unit of translation is a fixed-size address space called a page (usually from 1 to 64 kbytes in size).

In the following descriptions, the address space in virtual memory in the SH7750 Series is referred to as virtual address space, and the address space in physical memory as physical address space.

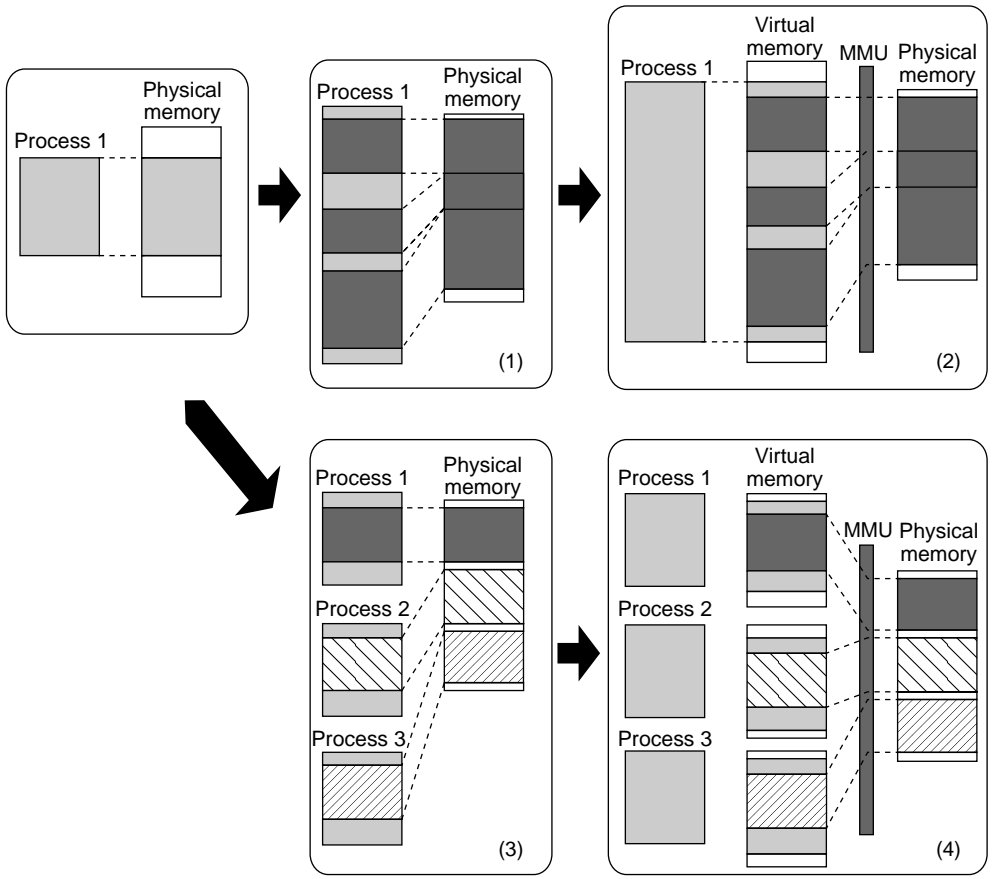


Figure 3.1 Role of the MMU

3.1.3 Register Configuration

The MMU registers are shown in table 3.1.

Table 3.1 MMU Registers

Name	Abbreviation	R/W	Initial Value*1	P4 Address*2	Area 7 Address*2	Access Size
Page table entry high register	PTEH	R/W	Undefined	H'FF00 0000	H'1F00 0000	32
Page table entry low register	PTL	R/W	Undefined	H'FF00 0004	H'1F00 0004	32
Page table entry assistance register	PTEA	R/W	Undefined	H'FF00 0034	H'1F00 0034	32
Translation table base register	TTB	R/W	Undefined	H'FF00 0008	H'1F00 0008	32
TLB exception address register	TEA	R/W	Undefined	H'FF00 000C	H'1F00 000C	32
MMU control register	MMUCR	R/W	H'0000 0000	H'FF00 0010	H'1F00 0010	32

Notes: *1 The initial value is the value after a power-on reset or manual reset.

*2 This is the address when using the virtual/physical address space P4 area. When making an access from physical address space area 7 using the TLB, the upper 3 bits of the address are ignored.

3.1.4 Caution

Operation is not guaranteed if an area designated as a reserved area in this manual is accessed.

3.2 Register Descriptions

There are six MMU-related registers.

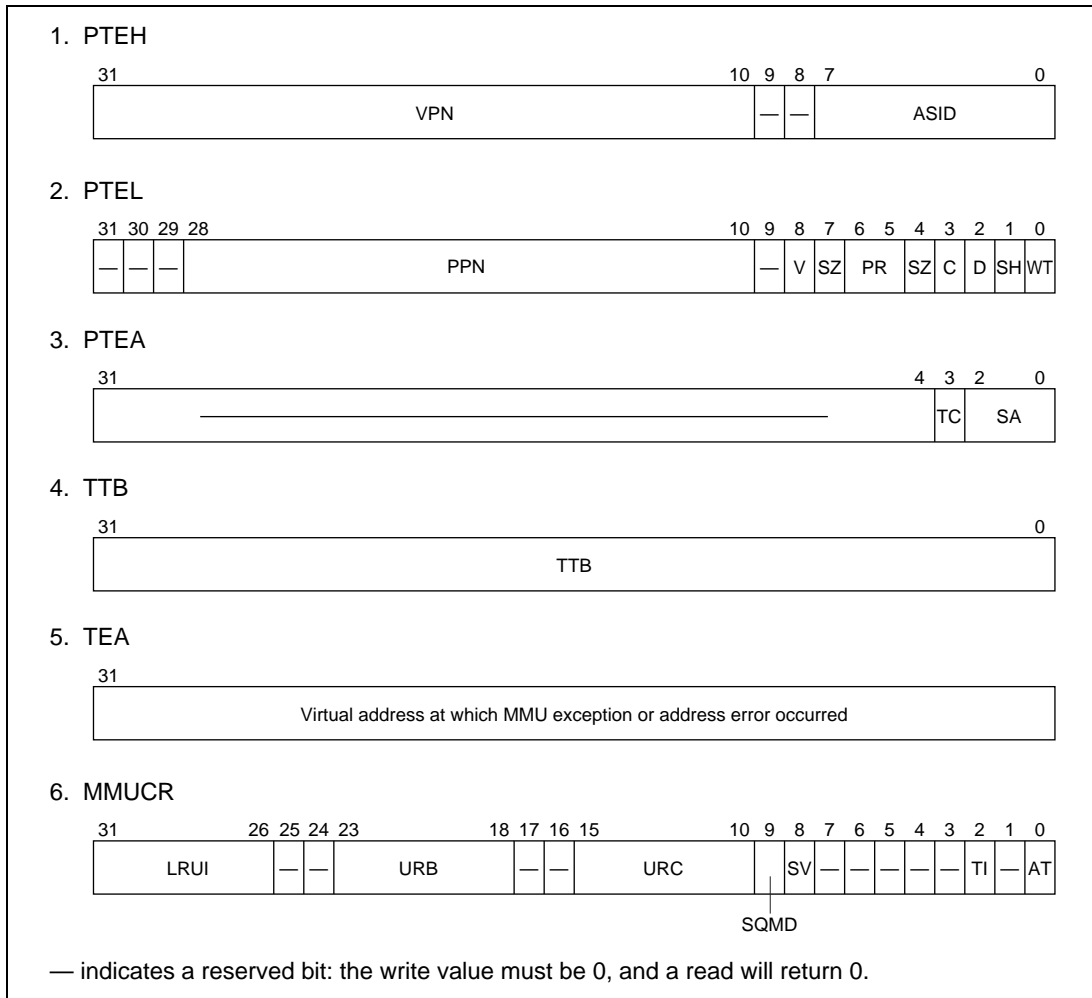


Figure 3.2 MMU-Related Registers

1. Page table entry high register (PTEH): Longword access to PTEH can be performed from H'FF00 0000 in the P4 area and H'1F00 0000 in area 7. PTEH consists of the virtual page number (VPN) and address space identifier (ASID). When an MMU exception or address error exception occurs, the VPN of the virtual address at which the exception occurred is set in the VPN field by hardware. VPN varies according to the page size, but the VPN set by hardware when an exception occurs consists of the upper 22 bits of the virtual address which caused the exception. VPN setting can also be carried out by software. The number of the currently executing process is set in the ASID field by software. ASID is not updated by hardware. VPN and ASID are recorded in the UTLB by means of the LDLTB instruction.

A branch to the P0, P3, or U0 area which uses the updated ASID after the ASID field in PTEH is rewritten should be made at least 6 instructions after the PTEH update instruction.

2. Page table entry low register (PTEL): Longword access to PTEL can be performed from H'FF00 0004 in the P4 area and H'1F00 0004 in area 7. PTEL is used to hold the physical page number and page management information to be recorded in the UTLB by means of the LDLTB instruction. The contents of this register are not changed unless a software directive is issued.

3. Page table entry assistance register (PTEA): Longword access to PTEA can be performed from H'FF00 0034 in the P4 area and H'1F00 0034 in area 7. PTEL is used to store assistance bits for PCMCIA access to the UTLB by means of the LDLTB instruction. When performing access from the CPU in the SH7750S and SH7750R with MMUCR.AT = 0, access is always performed using the values of the SA and TC bits in this register. In the SH7750, it is not possible to access a PCMCIA interface area with MMUCR.AT = 0. In the SH7750 Series, access to a PCMCIA interface area by the DMAC is always performed using the DMAC's CHCRn.SSAn, CHCRn.DSAn, CHCRn.STC, and CHCRn.DTC values. The contents of this register are not changed unless a software directive is issued.

4. Translation table base register (TTB): Longword access to TTB can be performed from H'FF00 0008 in the P4 area and H'1F00 0008 in area 7. TTB is used, for example, to hold the base address of the currently used page table. The contents of TTB are not changed unless a software directive is issued. This register can be freely used by software.

5. TLB exception address register (TEA): Longword access to TEA can be performed from H'FF00 000C in the P4 area and H'1F00 000C in area 7. After an MMU exception or address error exception occurs, the virtual address at which the exception occurred is set in TEA by hardware. The contents of this register can be changed by software.

6. MMU control register (MMUCR): MMUCR contains the following bits:

LRUI: Least recently used ITLB

URB: UTLB replace boundary

URC: UTLB replace counter

SQMD: Store queue mode bit

SV: Single virtual mode bit

TI: TLB invalidate
 AT: Address translation bit

Longword access to MMUCR can be performed from H'FF00 0010 in the P4 area and H'1F00 0010 in area 7. The individual bits perform MMU settings as shown below. Therefore, MMUCR rewriting should be performed by a program in the P1 or P2 area. After MMUCR is updated, an instruction that performs data access to the P0, P3, U0, or store queue area should be located at least four instructions after the MMUCR update instruction. Also, a branch instruction to the P0, P3, or U0 area should be located at least eight instructions after the MMUCR update instruction. MMUCR contents can be changed by software. The LRUI bits and URC bits may also be updated by hardware.

- **LRUI:** Least recently used ITLB. The LRU (least recently used) method is used to decide the ITLB entry to be replaced in the event of an ITLB miss. The entry to be purged from the ITLB can be confirmed using the LRUI bits. LRUI is updated by means of the algorithm shown below. A dash in this table means that updating is not performed.

	LRUI					
	[5]	[4]	[3]	[2]	[1]	[0]
When ITLB entry 0 is used	0	0	0	—	—	—
When ITLB entry 1 is used	1	—	—	0	0	—
When ITLB entry 2 is used	—	1	—	1	—	0
When ITLB entry 3 is used	—	—	1	—	1	1
Other than the above	—	—	—	—	—	—

When the LRUI bit settings are as shown below, the corresponding ITLB entry is updated by an ITLB miss. An asterisk in this table means “don’t care”.

	LRUI					
	[5]	[4]	[3]	[2]	[1]	[0]
ITLB entry 0 is updated	1	1	1	*	*	*
ITLB entry 1 is updated	0	*	*	1	1	*
ITLB entry 2 is updated	*	0	*	0	*	1
ITLB entry 3 is updated	*	*	0	*	0	0
Other than the above	Setting prohibited					

Ensure that values for which “Setting prohibited” is indicated in the above table are not set at the discretion of software. After a power-on or manual reset the LRUI bits are initialized to 0, and therefore a prohibited setting is never made by a hardware update.

- **URB:** UTLB replace boundary. Bits that indicate the UTLB entry boundary at which replacement is to be performed. Valid only when $URB > 0$.
- **URC:** UTLB replace counter. Random counter for indicating the UTLB entry for which replacement is to be performed with an LDTLB instruction. URC is incremented each time the UTLB is accessed. When $URB > 0$, URC is reset to 0 when the condition $URC = URB$ occurs. Also note that, if a value is written to URC by software which results in the condition $URC > URB$, incrementing is first performed in excess of URB until $URC = H'3F$. URC is not incremented by an LDTLB instruction.
- **SQMD:** Store queue mode bit. Specifies the right of access to the store queues.
 - 0: User/privileged access possible
 - 1: Privileged access possible (address error exception in case of user access)
- **SV:** Single virtual mode bit. Bit that switches between single virtual memory mode and multiple virtual memory mode.
 - 0: Multiple virtual memory mode
 - 1: Single virtual memory mode
 When this bit is changed, ensure that 1 is also written to the TI bit.
- **TI:** TLB invalidation bit. Writing 1 to this bit invalidates (clears to 0) all valid UTLB/ITLB bits. This bit always returns 0 when read.
- **AT:** Address translation enable bit. Specifies MMU enabling or disabling.
 - 0: MMU disabled
 - 1: MMU enabled
 MMU exceptions are not generated when the AT bit is 0. In the case of software that does not use the MMU, therefore, the AT bit should be cleared to 0.

3.3 Address Space

3.3.1 Physical Address Space

The SH7750 Series supports a 32-bit physical address space, and can access a 4-Gbyte address space. When the MMUCR.AT bit is cleared to 0 and the MMU is disabled, the address space is this physical address space. The physical address space is divided into a number of areas, as shown in figure 3.3. The physical address space is permanently mapped onto 29-bit external memory space; this correspondence can be implemented by ignoring the upper 3 bits of the physical address space addresses. In privileged mode, the 4-Gbyte space from the P0 area to the P4 area can be accessed. In user mode, a 2-Gbyte space in the U0 area can be accessed. Accessing the P1 to P4 areas (except the store queue area) in user mode will cause an address error.

P4 Area: The P4 area is mapped onto SH7750 Series on-chip I/O channels. This area cannot be accessed using the cache. The P4 area is shown in detail in figure 3.4.

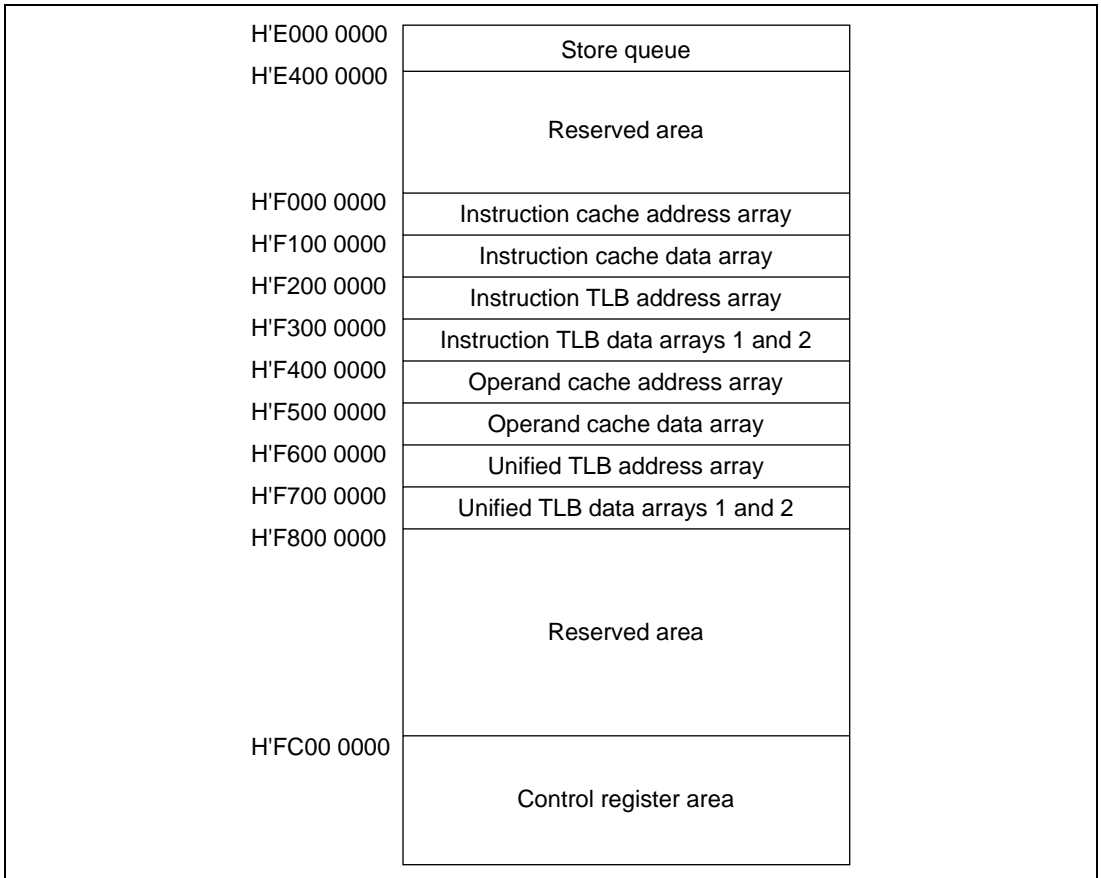


Figure 3.4 P4 Area

The area from H'E000 0000 to H'E3FF FFFF comprises addresses for accessing the store queues (SQs). When the MMU is disabled (MMUCR.AT = 0), the SQ access right is specified by the MMUCR.SQMD bit. For details, see section 4.7, Store Queues.

The area from H'F000 0000 to H'F0FF FFFF is used for direct access to the instruction cache address array. For details, see section 4.5.1, IC Address Array.

The area from H'F100 0000 to H'F1FF FFFF is used for direct access to the instruction cache data array. For details, see section 4.5.2, IC Data Array.

The area from H'F200 0000 to H'F2FF FFFF is used for direct access to the instruction TLB address array. For details, see section 3.7.1, ITLB Address Array.

The area from H'F300 0000 to H'F3FF FFFF is used for direct access to instruction TLB data arrays 1 and 2. For details, see sections 3.7.2, ITLB Data Array 1, and 3.7.3, ITLB Data Array 2.

The area from H'F400 0000 to H'F4FF FFFF is used for direct access to the operand cache address array. For details, see section 4.5.3, OC Address Array.

The area from H'F500 0000 to H'F5FF FFFF is used for direct access to the operand cache data array. For details, see section 4.5.4, OC Data Array.

The area from H'F600 0000 to H'F6FF FFFF is used for direct access to the unified TLB address array. For details, see section 3.7.4, UTLB Address Array.

The area from H'F700 0000 to H'F7FF FFFF is used for direct access to unified TLB data arrays 1 and 2. For details, see sections 3.7.5, UTLB Data Array 1, and 3.7.6, UTLB Data Array 2.

The area from H'FF00 0000 to H'FFFF FFFF is the on-chip peripheral module control register area. For details, see appendix A, Address List.

3.3.2 External Memory Space

The SH7750 Series supports a 29-bit external memory space. The external memory space is divided into eight areas as shown in figure 3.5. Areas 0 to 6 relate to memory, such as SRAM, synchronous DRAM, DRAM, and PCMCIA. Area 7 is a reserved area. For details, see section 13, Bus State Controller (BSC).

H'0000 0000	Area 0
H'0400 0000	Area 1
H'0800 0000	Area 2
H'0C00 0000	Area 3
H'1000 0000	Area 4
H'1400 0000	Area 5
H'1800 0000	Area 6
H'1C00 0000 H'1FFF FFFF	Area 7 (reserved area)

Figure 3.5 External Memory Space

3.3.3 Virtual Address Space

Setting the MMUCR.AT bit to 1 enables the P0, P3, and U0 areas of the physical memory space in the SH7750 Series to be mapped onto any external memory space in 1-, 4-, or 64-kbyte, or 1-Mbyte, page units. By using an 8-bit address space identifier, the P0, U0, P3, and store queue areas can be increased to a maximum of 256. This is called the virtual memory space. Mapping from virtual memory space to 29-bit external memory space is carried out using the TLB. Only when area 7 in external memory space is accessed using virtual memory space, addresses H'1C00 0000 to H'1FFF FFFF of area 7 are not designated as a reserved area, but are equivalent to the P4 area control register area in the physical memory space. Virtual memory space is illustrated in figure 3.6.

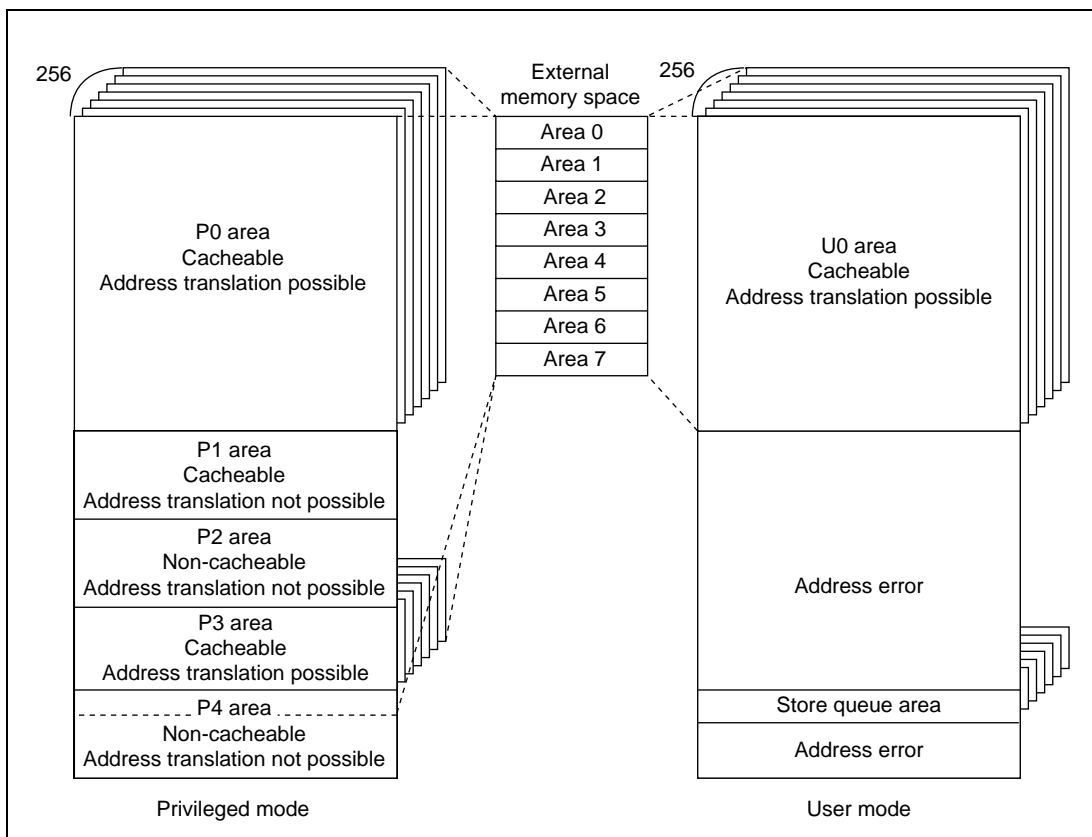


Figure 3.6 Virtual Address Space (MMUCR.AT = 1)

In the state of cache enabling, when the areas of P0, P3, and U0 are mapped onto a PCMCIA interface area by means of the TLB, it is necessary either to specify 1 for the WT bit or to specify 0 for the C bit on that page. At that time, the regions are accessed by the values of SA and TC set in page units of the TLB.

Here, access to the PCMCIA interface area by accessing an area of P1, P2, or P4 from the CPU is disabled.

In addition, the PCMCIA interface area is always accessed by the DMAC with the values of $CHCRn.SSAn$, $CHCRn.DSAn$, $CHCRn.STC$, and $CHCRn.DTC$ in the DMAC. For details, see section 14, Direct Memory Access Controller (DMAC).

P0, P3, U0 Areas: The P0 area (excluding addresses H'7C00 0000 to H'7FFF FFFF), P3 area, and U0 area (excluding addresses H'7C00 0000 to H'7FFF FFFF) allow access using the cache and address translation using the TLB. These areas can be mapped onto any external memory space in 1-, 4-, or 64-kbyte, or 1-Mbyte, page units. When CCR is in the cache-enabled state and the TLB enable bit (C bit) is 1, accesses can be performed using the cache. In write accesses to the cache, switching between the copy-back method and the write-through method is indicated by the TLB write-through bit (WT bit), and is specified in page units.

Only when the P0, P3, and U0 areas are mapped onto external memory space by means of the TLB, addresses H'1C00 0000 to H'1FFF FFFF of area 7 in external memory space are allocated to the control register area. This enables on-chip peripheral module control registers to be accessed from the U0 area in user mode. In this case, the C bit for the corresponding page must be cleared to 0.

P1, P2, P4 Areas: Address translation using the TLB cannot be performed for the P1, P2, or P4 area (except for the store queue area). Accesses to these areas are the same as for physical memory space. The store queue area can be mapped onto any external memory space by the MMU. However, operation in the case of an exception differs from that for normal P0, U0, and P3 spaces. For details, see section 4.7, Store Queues.

3.3.4 On-Chip RAM Space

In the SH7750 Series, half of the instruction cache can be used as on-chip RAM. This can be done by changing the CCR settings.

When the operand cache is used as on-chip RAM ($CCR.ORA = 1$), P0 area addresses H'7C00 0000 to H'7FFF FFFF are an on-chip RAM area. Data accesses (byte/word/longword/quadword) can be used in this area. This area can only be used in RAM mode.

3.3.5 Address Translation

When the MMU is used, the virtual address space is divided into units called pages, and translation to physical addresses is carried out in these page units. The address translation table in external memory contains the physical addresses corresponding to virtual addresses and additional information such as memory protection codes. Fast address translation is achieved by caching the contents of the address translation table located in external memory into the TLB. In the SH7750 Series, basically, the ITLB is used for instruction accesses and the UTLB for data accesses. In the

event of an access to an area other than the P4 area, the accessed virtual address is translated to a physical address. If the virtual address belongs to the P1 or P2 area, the physical address is uniquely determined without accessing the TLB. If the virtual address belongs to the P0, U0, or P3 area, the TLB is searched using the virtual address, and if the virtual address is recorded in the TLB, a TLB hit is made and the corresponding physical address is read from the TLB. If the accessed virtual address is not recorded in the TLB, a TLB miss exception is generated and processing switches to the TLB miss exception routine. In the TLB miss exception routine, the address translation table in external memory is searched, and the corresponding physical address and page management information are recorded in the TLB. After the return from the exception handling routine, the instruction which caused the TLB miss exception is re-executed.

3.3.6 Single Virtual Memory Mode and Multiple Virtual Memory Mode

There are two virtual memory systems, single virtual memory and multiple virtual memory, either of which can be selected with the MMUCR.SV bit. In the single virtual memory system, a number of processes run simultaneously, using virtual address space on an exclusive basis, and the physical address corresponding to a particular virtual address is uniquely determined. In the multiple virtual memory system, a number of processes run while sharing the virtual address space, and a particular virtual address may be translated into different physical addresses depending on the process. The only difference between the single virtual memory and multiple virtual memory systems in terms of operation is in the TLB address comparison method (see section 3.4.3, Address Translation Method).

3.3.7 Address Space Identifier (ASID)

In multiple virtual memory mode, the 8-bit address space identifier (ASID) is used to distinguish between processes running simultaneously while sharing the virtual address space. Software can set the ASID of the currently executing process in PTEH in the MMU. The TLB does not have to be purged when processes are switched by means of ASID.

In single virtual memory mode, ASID is used to provide memory protection for processes running simultaneously while using the virtual memory space on an exclusive basis.

Note: In single virtual memory mode, entries with the same virtual page number (VPN) but different ASIDs cannot be set in the TLB simultaneously.

3.4 TLB Functions

3.4.1 Unified TLB (UTLB) Configuration

The unified TLB (UTLB) is so called because of its use for the following two purposes:

1. To translate a virtual address to a physical address in a data access
2. As a table of address translation information to be recorded in the instruction TLB in the event of an ITLB miss

Information in the address translation table located in external memory is cached into the UTLB. The address translation table contains virtual page numbers and address space identifiers, and corresponding physical page numbers and page management information. Figure 3.7 shows the overall configuration of the UTLB. The UTLB consists of 64 fully-associative type entries. Figure 3.8 shows the relationship between the address format and page size.

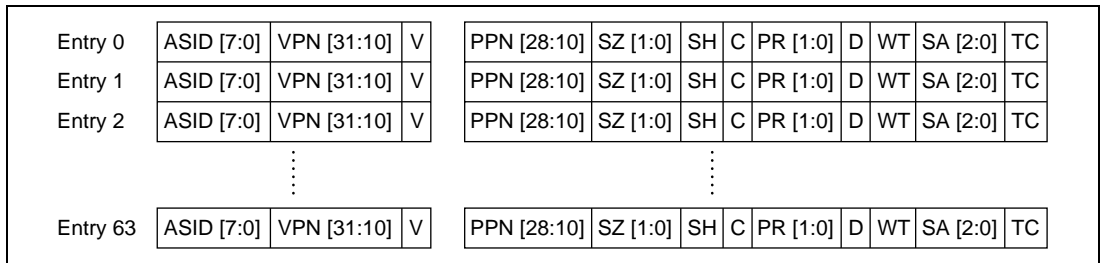


Figure 3.7 UTLB Configuration

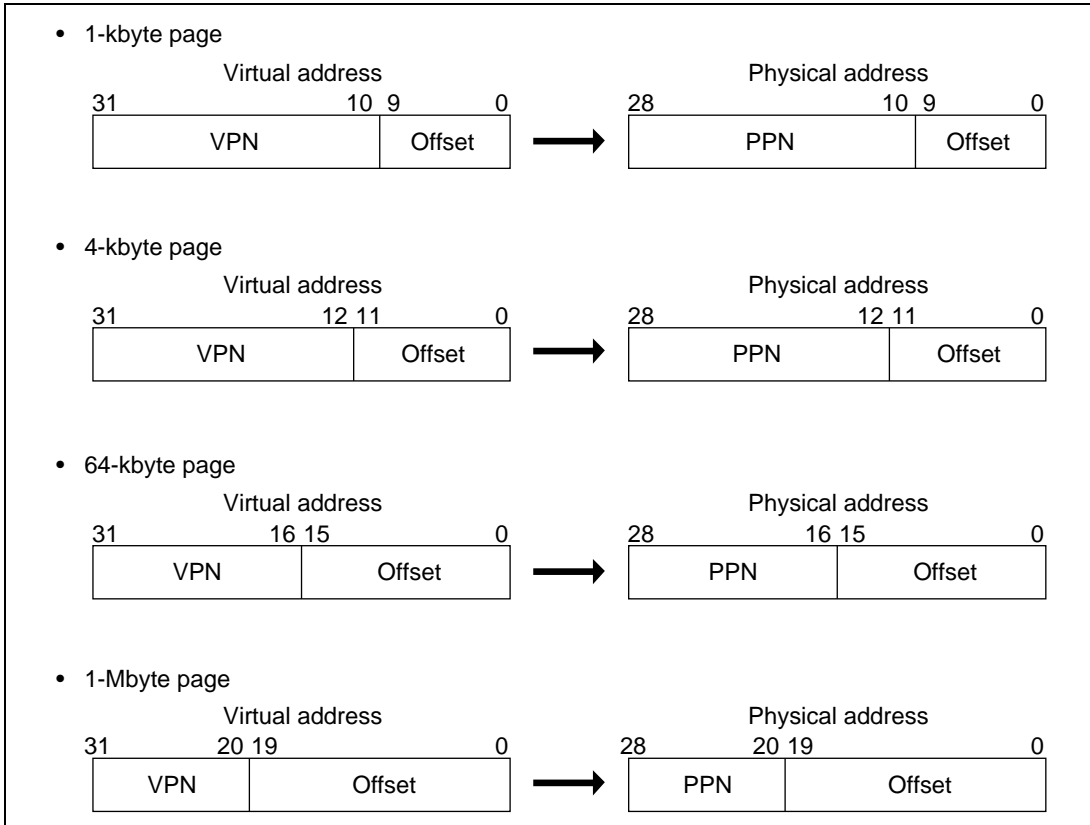


Figure 3.8 Relationship between Page Size and Address Format

- VPN: Virtual page number
 - For 1-kbyte page: upper 22 bits of virtual address
 - For 4-kbyte page: upper 20 bits of virtual address
 - For 64-kbyte page: upper 16 bits of virtual address
 - For 1-Mbyte page: upper 12 bits of virtual address
- ASID: Address space identifier
 - Indicates the process that can access a virtual page.
 - In single virtual memory mode and user mode, or in multiple virtual memory mode, if the SH bit is 0, this identifier is compared with the ASID in PTEH when address comparison is performed.
- SH: Share status bit
 - When 0, pages are not shared by processes.
 - When 1, pages are shared by processes.

- **SZ: Page size bits**
Specify the page size.
00: 1-kbyte page
01: 4-kbyte page
10: 64-kbyte page
11: 1-Mbyte page

- **V: Validity bit**
Indicates whether the entry is valid.
0: Invalid
1: Valid
Cleared to 0 by a power-on reset.
Not affected by a manual reset.

- **PPN: Physical page number**
Upper 22 bits of the physical address.
With a 1-kbyte page, PPN bits [28:10] are valid.
With a 4-kbyte page, PPN bits [28:12] are valid.
With a 64-kbyte page, PPN bits [28:16] are valid.
With a 1-Mbyte page, PPN bits [28:20] are valid.
The synonym problem must be taken into account when setting the PPN (see section 3.5.5, Avoiding Synonym Problems).

- **PR: Protection key data**
2-bit data expressing the page access right as a code.
00: Can be read only, in privileged mode
01: Can be read and written in privileged mode
10: Can be read only, in privileged or user mode
11: Can be read and written in privileged mode or user mode

- **C: Cacheability bit**
Indicates whether a page is cacheable.
0: Not cacheable
1: Cacheable
When control register space is mapped, this bit must be cleared to 0.
When performing PCMCIA space mapping in the cache enabled state, either clear this bit to 0 or set the WT bit to 1.

- **D: Dirty bit**
Indicates whether a write has been performed to a page.
0: Write has not been performed
1: Write has been performed
- **WT: Write-through bit**
Specifies the cache write mode.
0: Copy-back mode
1: Write-through mode
When performing PCMCIA space mapping in the cache enabled state, either set this bit to 1 or clear the C bit to 0.
- **SA: Space attribute bits**
Valid only when the page is mapped onto PCMCIA connected to area 5 or 6.
000: Undefined
001: Variable-size I/O space (base size according to $\overline{\text{IOIS16}}$ signal)
010: 8-bit I/O space
011: 16-bit I/O space
100: 8-bit common memory space
101: 16-bit common memory space
110: 8-bit attribute memory space
111: 16-bit attribute memory space
- **TC: Timing control bit**
Used to select wait control register bits in the bus control unit for areas 5 and 6.
0: WCR2 (A5W2–A5W0) and PCR (A5PCW1–A5PCW0, A5TED2–A5TED0, A5TEH2–A5TEH0) are used
1: WCR2 (A6W2–A6W0) and PCR (A6PCW1–A6PCW0, A6TED2–A6TED0, A6TEH2–A6TEH0) are used

3.4.2 Instruction TLB (ITLB) Configuration

The ITLB is used to translate a virtual address to a physical address in an instruction access. Information in the address translation table located in the UTLB is cached into the ITLB. Figure 3.9 shows the overall configuration of the ITLB. The ITLB consists of 4 fully-associative type entries. The address translation information is almost the same as that in the UTLB, but with the following differences:

1. D and WT bits are not supported.
2. There is only one PR bit, corresponding to the upper of the PR bits in the UTLB.

Entry 0	ASID [7:0]	VPN [31:10]	V	PPN [28:10]	SZ [1:0]	SH	C	PR	SA [2:0]	TC
Entry 1	ASID [7:0]	VPN [31:10]	V	PPN [28:10]	SZ [1:0]	SH	C	PR	SA [2:0]	TC
Entry 2	ASID [7:0]	VPN [31:10]	V	PPN [28:10]	SZ [1:0]	SH	C	PR	SA [2:0]	TC
Entry 3	ASID [7:0]	VPN [31:10]	V	PPN [28:10]	SZ [1:0]	SH	C	PR	SA [2:0]	TC

Figure 3.9 ITLB Configuration

3.4.3 Address Translation Method

Figures 3.10 and 3.11 show flowcharts of memory accesses using the UTLB and ITLB.

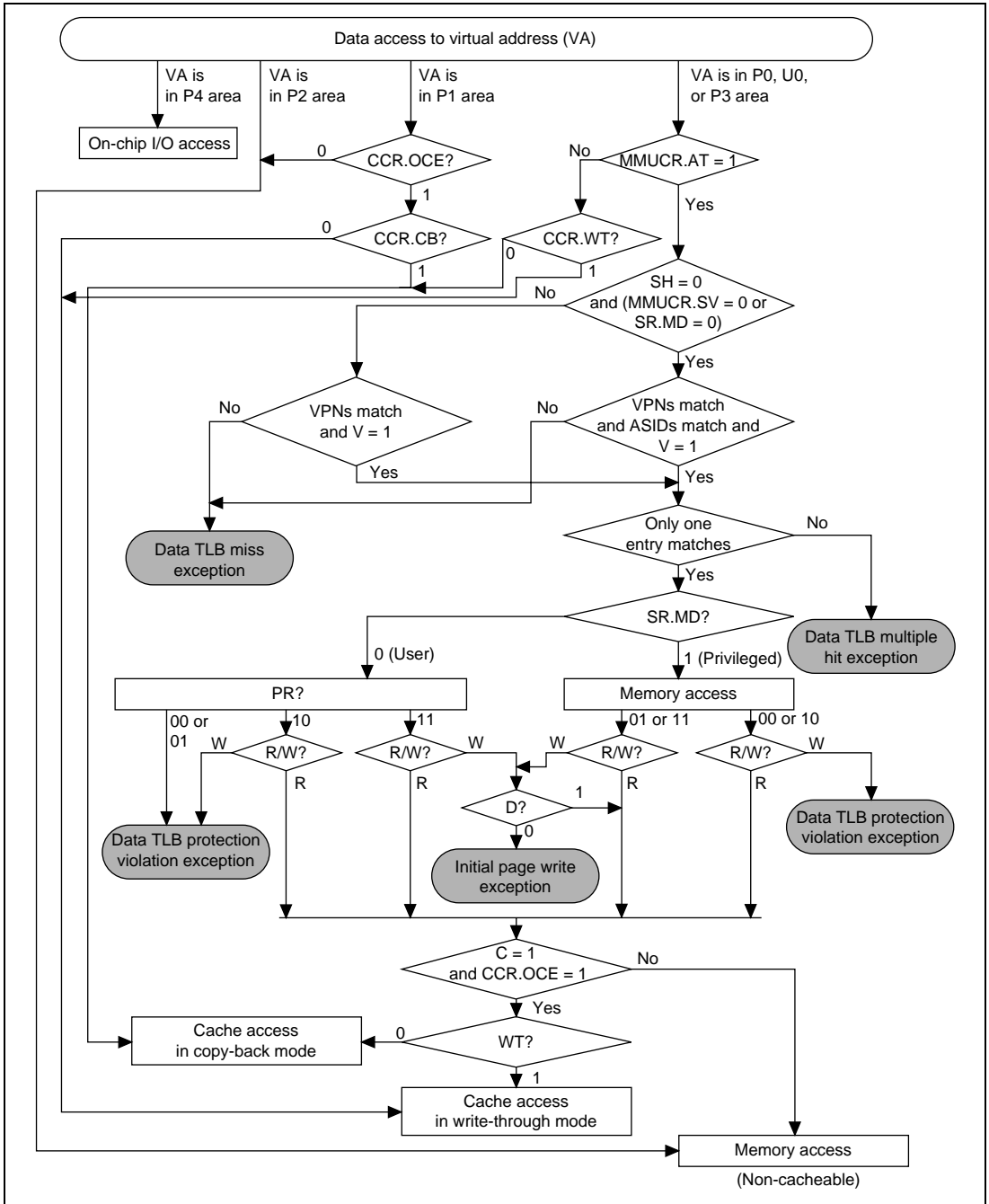


Figure 3.10 Flowchart of Memory Access Using UTLB

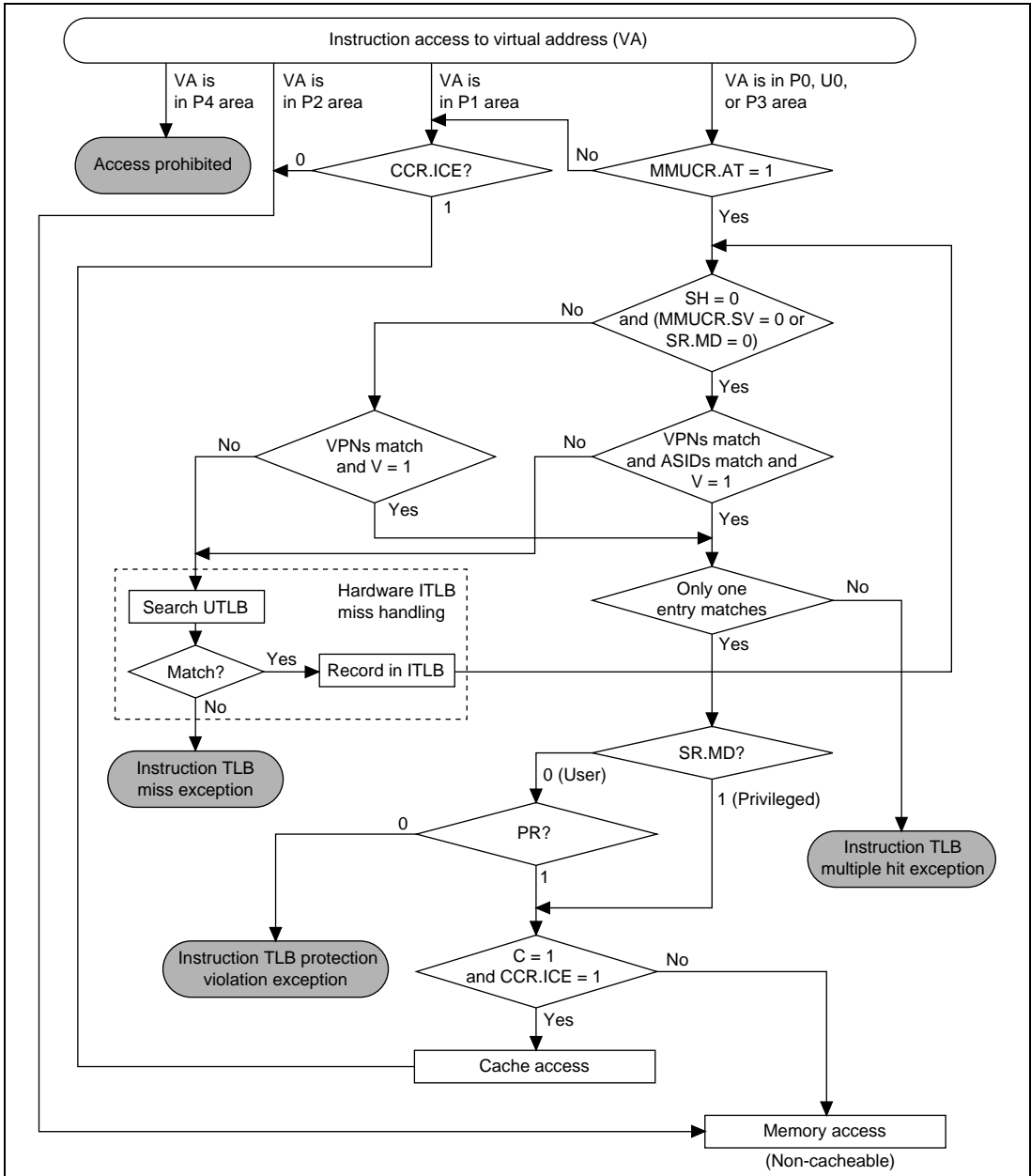


Figure 3.11 Flowchart of Memory Access Using ITLB

3.5 MMU Functions

3.5.1 MMU Hardware Management

The SH7750 Series supports the following MMU functions.

1. The MMU decodes the virtual address to be accessed by software, and performs address translation by controlling the UTLB/ITLB in accordance with the MMUCR settings.
2. The MMU determines the cache access status on the basis of the page management information read during address translation (C, WT, SA, and TC bits).
3. If address translation cannot be performed normally in a data access or instruction access, the MMU notifies software by means of an MMU exception.
4. If address translation information is not recorded in the ITLB in an instruction access, the MMU searches the UTLB, and if the necessary address translation information is recorded in the UTLB, the MMU copies this information into the ITLB in accordance with MMUCR.LRUI.

3.5.2 MMU Software Management

Software processing for the MMU consists of the following:

1. Setting of MMU-related registers. Some registers are also partially updated by hardware automatically.
2. Recording, deletion, and reading of TLB entries. There are two methods of recording UTLB entries: by using the LDTLB instruction, or by writing directly to the memory-mapped UTLB. ITLB entries can only be recorded by writing directly to the memory-mapped ITLB. For deleting or reading UTLB/ITLB entries, it is possible to access the memory-mapped UTLB/ITLB.
3. MMU exception handling. When an MMU exception occurs, processing is performed based on information set by hardware.

3.5.3 MMU Instruction (LDTLB)

A TLB load instruction (LDTLB) is provided for recording UTLB entries. When an LDTLB instruction is issued, the SH7750 Series copies the contents of PTEH, PTEL, and PTEA to the UTLB entry indicated by MMUCR.URC. ITLB entries are not updated by the LDTLB instruction, and therefore address translation information purged from the UTLB entry may still remain in the ITLB entry. As the LDTLB instruction changes address translation information, ensure that it is issued by a program in the P1 or P2 area. The operation of the LDTLB instruction is shown in figure 3.12.

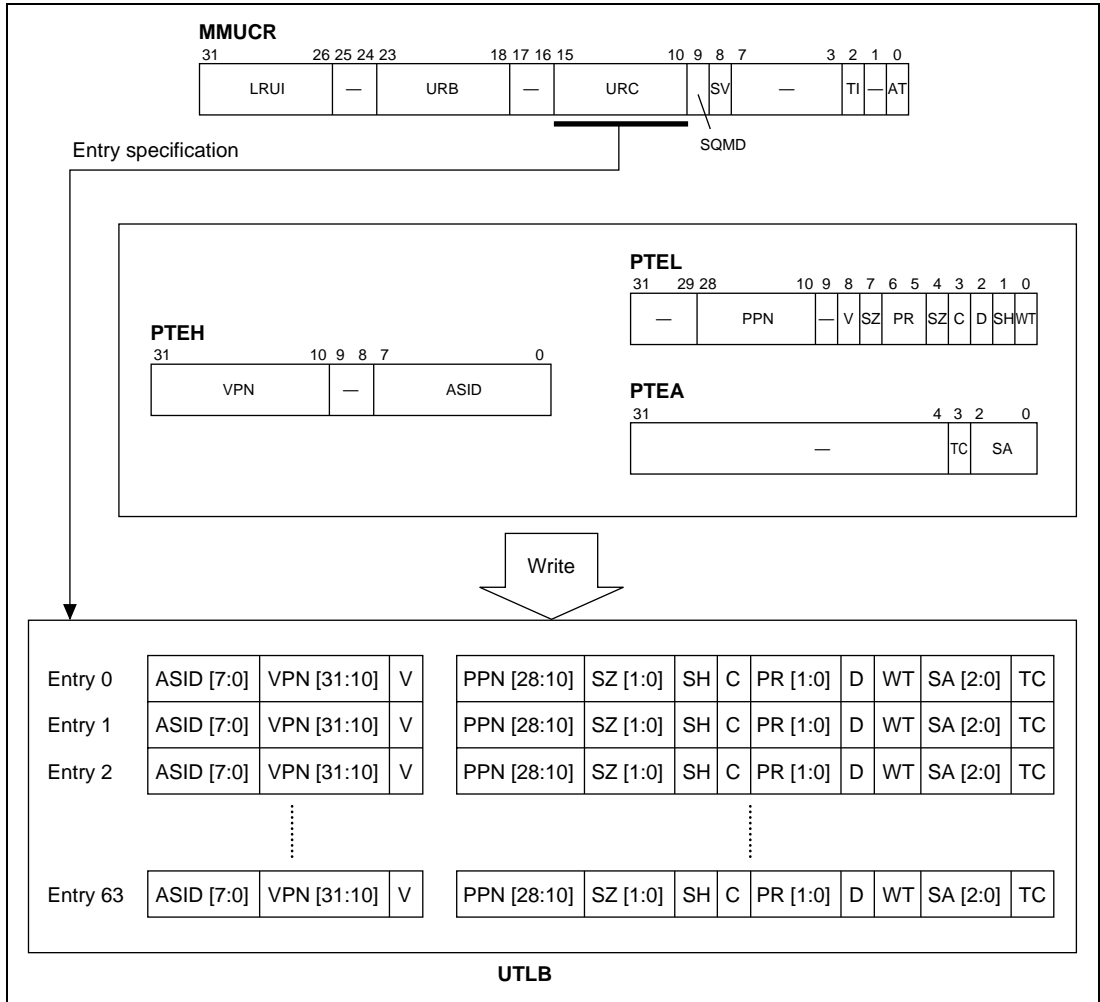


Figure 3.12 Operation of LDTLB Instruction

3.5.4 Hardware ITLB Miss Handling

In an instruction access, the SH7750 Series searches the ITLB. If it cannot find the necessary address translation information (i.e. in the event of an ITLB miss), the UTLB is searched by hardware, and if the necessary address translation information is present, it is recorded in the ITLB. This procedure is known as hardware ITLB miss handling. If the necessary address translation information is not found in the UTLB search, an instruction TLB miss exception is generated and processing passes to software.

3.5.5 Avoiding Synonym Problems

When 1- or 4-kbyte pages are recorded in TLB entries, a synonym problem may arise. The problem is that, when a number of virtual addresses are mapped onto a single physical address, the same physical address data is recorded in a number of cache entries, and it becomes impossible to guarantee data integrity. This problem does not occur with the instruction TLB or instruction cache. In the SH7750 Series, entry specification is performed using bits [13:5] of the virtual address in order to achieve fast operand cache operation. However, bits [13:10] of the virtual address in the case of a 1-kbyte page, and bits [13:12] of the virtual address in the case of a 4-kbyte page, are subject to address translation. As a result, bits [13:10] of the physical address after translation may differ from bits [13:10] of the virtual address.

Consequently, the following restrictions apply to the recording of address translation information in UTLB entries.

1. When address translation information whereby a number of 1-kbyte page UTLB entries are translated into the same physical address is recorded in the UTLB, ensure that the VPN [13:10] values are the same.
2. When address translation information whereby a number of 4-kbyte page UTLB entries are translated into the same physical address is recorded in the UTLB, ensure that the VPN [13:12] values are the same.
3. Do not use 1-kbyte page UTLB entry physical addresses with UTLB entries of a different page size.
4. Do not use 4-kbyte page UTLB entry physical addresses with UTLB entries of a different page size.

The above restrictions apply only when performing accesses using the cache. When cache index mode is used, VPN [25] is used for the entry address instead of VPN [13], and therefore the above restrictions apply to VPN [25].

Note: When multiple items of address translation information use the same physical memory to provide for future SuperH RISC engine family expansion, ensure that the VPN [20:10] values are the same. Also, do not use the same physical address for address translation information of different page sizes.

3.6 MMU Exceptions

There are seven MMU exceptions: the instruction TLB multiple hit exception, instruction TLB miss exception, instruction TLB protection violation exception, data TLB multiple hit exception, data TLB miss exception, data TLB protection violation exception, and initial page write exception. Refer to figures 3.10 and 3.11 for the conditions under which each of these exceptions occurs.

3.6.1 Instruction TLB Multiple Hit Exception

An instruction TLB multiple hit exception occurs when more than one ITLB entry matches the virtual address to which an instruction access has been made. If multiple hits occur when the UTLB is searched by hardware in hardware ITLB miss handling, a data TLB multiple hit exception will result.

When an instruction TLB multiple hit exception occurs a reset is executed, and cache coherency is not guaranteed.

Hardware Processing: In the event of an instruction TLB multiple hit exception, hardware carries out the following processing:

1. Sets the virtual address at which the exception occurred in TEA.
2. Sets exception code H'140 in EXPEVT.
3. Branches to the reset handling routine (H'A000 0000).

Software Processing (Reset Routine): The ITLB entries which caused the multiple hit exception are checked in the reset handling routine. This exception is intended for use in program debugging, and should not normally be generated.

3.6.2 Instruction TLB Miss Exception

An instruction TLB miss exception occurs when address translation information for the virtual address to which an instruction access is made is not found in the UTLB entries by the hardware ITLB miss handling procedure. The instruction TLB miss exception processing carried out by hardware and software is shown below. This is the same as the processing for a data TLB miss exception.

Hardware Processing: In the event of an instruction TLB miss exception, hardware carries out the following processing:

1. Sets the VPN of the virtual address at which the exception occurred in PTEH.
2. Sets the virtual address at which the exception occurred in TEA.
3. Sets exception code H'040 in EXPEVT.
4. Sets the PC value indicating the address of the instruction at which the exception occurred in SPC. If the exception occurred at a delay slot, sets the PC value indicating the address of the delayed branch instruction in SPC.
5. Sets the SR contents at the time of the exception in SSR. The R15 contents at this time are saved in SGR.
6. Sets the MD bit in SR to 1, and switches to privileged mode.
7. Sets the BL bit in SR to 1, and masks subsequent exception requests.
8. Sets the RB bit in SR to 1.
9. Branches to the address obtained by adding offset H'0000 0400 to the contents of VBR, and starts the instruction TLB miss exception handling routine.

Software Processing (Instruction TLB Miss Exception Handling Routine): Software is responsible for searching the external memory page table and assigning the necessary page table entry. Software should carry out the following processing in order to find and assign the necessary page table entry.

1. Write to PTEL the values of the PPN, PR, SZ, C, D, SH, V, and WT bits in the page table entry recorded in the external memory address translation table. If necessary, the values of the SA and TC bits should be written to PTEA.
2. When the entry to be replaced in entry replacement is specified by software, write that value to URC in the MMUCR register. If URC is greater than URB at this time, the value should be changed to an appropriate value after issuing an LDTLB instruction.
3. Execute the LDTLB instruction and write the contents of PTEH, PTEL, and PTEA to the TLB.
4. Finally, execute the exception handling return instruction (RTE), terminate the exception handling routine, and return control to the normal flow. The RTE instruction should be issued at least one instruction after the LDTLB instruction.

3.6.3 Instruction TLB Protection Violation Exception

An instruction TLB protection violation exception occurs when, even though an ITLB entry contains address translation information matching the virtual address to which an instruction access is made, the actual access type is not permitted by the access right specified by the PR bit. The instruction TLB protection violation exception processing carried out by hardware and software is shown below.

Hardware Processing: In the event of an instruction TLB protection violation exception, hardware carries out the following processing:

1. Sets the VPN of the virtual address at which the exception occurred in PTEH.
2. Sets the virtual address at which the exception occurred in TEA.
3. Sets exception code H'0A0 in EXPEVT.
4. Sets the PC value indicating the address of the instruction at which the exception occurred in SPC. If the exception occurred at a delay slot, sets the PC value indicating the address of the delayed branch instruction in SPC.
5. Sets the SR contents at the time of the exception in SSR. The R15 contents at this time are saved in SGR.
6. Sets the MD bit in SR to 1, and switches to privileged mode.
7. Sets the BL bit in SR to 1, and masks subsequent exception requests.
8. Sets the RB bit in SR to 1.
9. Branches to the address obtained by adding offset H'0000 0100 to the contents of VBR, and starts the instruction TLB protection violation exception handling routine.

Software Processing (Instruction TLB Protection Violation Exception Handling Routine):

Resolve the instruction TLB protection violation, execute the exception handling return instruction (RTE), terminate the exception handling routine, and return control to the normal flow. The RTE instruction should be issued at least one instruction after the LDTLB instruction.

3.6.4 Data TLB Multiple Hit Exception

A data TLB multiple hit exception occurs when more than one UTLB entry matches the virtual address to which a data access has been made. A data TLB multiple hit exception is also generated if multiple hits occur when the UTLB is searched in hardware ITLB miss handling.

When a data TLB multiple hit exception occurs a reset is executed, and cache coherency is not guaranteed. The contents of PPN in the UTLB prior to the exception may also be corrupted.

Hardware Processing: In the event of a data TLB multiple hit exception, hardware carries out the following processing:

1. Sets the virtual address at which the exception occurred in TEA.
2. Sets exception code H'140 in EXPEVT.
3. Branches to the reset handling routine (H'A000 0000).

Software Processing (Reset Routine): The UTLB entries which caused the multiple hit exception are checked in the reset handling routine. This exception is intended for use in program debugging, and should not normally be generated.

3.6.5 Data TLB Miss Exception

A data TLB miss exception occurs when address translation information for the virtual address to which a data access is made is not found in the UTLB entries. The data TLB miss exception processing carried out by hardware and software is shown below.

Hardware Processing: In the event of a data TLB miss exception, hardware carries out the following processing:

1. Sets the VPN of the virtual address at which the exception occurred in PTEH.
2. Sets the virtual address at which the exception occurred in TEA.
3. Sets exception code H'040 in the case of a read, or H'060 in the case of a write, in EXPEVT (OCBP, OCBWB: read; OCBI, MOVCA.L: write).
4. Sets the PC value indicating the address of the instruction at which the exception occurred in SPC. If the exception occurred at a delay slot, sets the PC value indicating the address of the delayed branch instruction in SPC.
5. Sets the SR contents at the time of the exception in SSR. The R15 contents at this time are saved in SGR.
6. Sets the MD bit in SR to 1, and switches to privileged mode.
7. Sets the BL bit in SR to 1, and masks subsequent exception requests.
8. Sets the RB bit in SR to 1.
9. Branches to the address obtained by adding offset H'0000 0400 to the contents of VBR, and starts the data TLB miss exception handling routine.

Software Processing (Data TLB Miss Exception Handling Routine): Software is responsible for searching the external memory page table and assigning the necessary page table entry. Software should carry out the following processing in order to find and assign the necessary page table entry.

1. Write to PTEL the values of the PPN, PR, SZ, C, D, SH, V, and WT bits in the page table entry recorded in the external memory address translation table. If necessary, the values of the SA and TC bits should be written to PTEA.
2. When the entry to be replaced in entry replacement is specified by software, write that value to URC in the MMUCR register. If URC is greater than URB at this time, the value should be changed to an appropriate value after issuing an LDTLB instruction.
3. Execute the LDTLB instruction and write the contents of PTEH, PTEL, and PTEA to the UTLB.
4. Finally, execute the exception handling return instruction (RTE), terminate the exception handling routine, and return control to the normal flow. The RTE instruction should be issued at least one instruction after the LDTLB instruction.

3.6.6 Data TLB Protection Violation Exception

A data TLB protection violation exception occurs when, even though a UTLB entry contains address translation information matching the virtual address to which a data access is made, the actual access type is not permitted by the access right specified by the PR bit. The data TLB protection violation exception processing carried out by hardware and software is shown below.

Hardware Processing: In the event of a data TLB protection violation exception, hardware carries out the following processing:

1. Sets the VPN of the virtual address at which the exception occurred in PTEH.
2. Sets the virtual address at which the exception occurred in TEA.
3. Sets exception code H'0A0 in the case of a read, or H'0C0 in the case of a write, in EXPEVT (OCBP, OCBWB: read; OCBI, MOVCA.L: write).
4. Sets the PC value indicating the address of the instruction at which the exception occurred in SPC. If the exception occurred at a delay slot, sets the PC value indicating the address of the delayed branch instruction in SPC.
5. Sets the SR contents at the time of the exception in SSR. The R15 contents at this time are saved in SGR.
6. Sets the MD bit in SR to 1, and switches to privileged mode.
7. Sets the BL bit in SR to 1, and masks subsequent exception requests.
8. Sets the RB bit in SR to 1.
9. Branches to the address obtained by adding offset H'0000 0100 to the contents of VBR, and starts the data TLB protection violation exception handling routine.

Software Processing (Data TLB Protection Violation Exception Handling Routine): Resolve the data TLB protection violation, execute the exception handling return instruction (RTE), terminate the exception handling routine, and return control to the normal flow. The RTE instruction should be issued at least one instruction after the LDTLB instruction.

3.6.7 Initial Page Write Exception

An initial page write exception occurs when the D bit is 0 even though a UTLB entry contains address translation information matching the virtual address to which a data access (write) is made, and the access is permitted. The initial page write exception processing carried out by hardware and software is shown below.

Hardware Processing: In the event of an initial page write exception, hardware carries out the following processing:

1. Sets the VPN of the virtual address at which the exception occurred in PTEH.
2. Sets the virtual address at which the exception occurred in TEA.
3. Sets exception code H'080 in EXPEVT.
4. Sets the PC value indicating the address of the instruction at which the exception occurred in SPC. If the exception occurred at a delay slot, sets the PC value indicating the address of the delayed branch instruction in SPC.
5. Sets the SR contents at the time of the exception in SSR. The R15 contents at this time are saved in SGR.
6. Sets the MD bit in SR to 1, and switches to privileged mode.
7. Sets the BL bit in SR to 1, and masks subsequent exception requests.
8. Sets the RB bit in SR to 1.
9. Branches to the address obtained by adding offset H'0000 0100 to the contents of VBR, and starts the initial page write exception handling routine.

Software Processing (Initial Page Write Exception Handling Routine): The following processing should be carried out as the responsibility of software:

1. Retrieve the necessary page table entry from external memory.
2. Write 1 to the D bit in the external memory page table entry.
3. Write to PTEL the values of the PPN, PR, SZ, C, D, WT, SH, and V bits in the page table entry recorded in external memory. If necessary, the values of the SA and TC bits should be written to PTEA.
4. When the entry to be replaced in entry replacement is specified by software, write that value to URC in the MMUCR register. If URC is greater than URB at this time, the value should be changed to an appropriate value after issuing an LDTLB instruction.
5. Execute the LDTLB instruction and write the contents of PTEH, PTEL, and PTEA to the UTLB.
6. Finally, execute the exception handling return instruction (RTE), terminate the exception handling routine, and return control to the normal flow. The RTE instruction should be issued at least one instruction after the LDTLB instruction.

3.7 Memory-Mapped TLB Configuration

To enable the ITLB and UTLB to be managed by software, their contents can be read and written by a P2 area program with a MOV instruction in privileged mode. Operation is not guaranteed if access is made from a program in another area. A branch to an area other than the P2 area should be made at least 8 instructions after this MOV instruction. The ITLB and UTLB are allocated to the P4 area in physical memory space. VPN, V, and ASID in the ITLB can be accessed as an address array, PPN, V, SZ, PR, C, and SH as data array 1, and SA and TC as data array 2. VPN, D, V, and ASID in the UTLB can be accessed as an address array, PPN, V, SZ, PR, C, D, WT, and SH as data array 1, and SA and TC as data array 2. V and D can be accessed from both the address array side and the data array side. Only longword access is possible. Instruction fetches cannot be performed in these areas. For reserved bits, a write value of 0 should be specified; their read value is undefined.

3.7.1 ITLB Address Array

The ITLB address array is allocated to addresses H'F200 0000 to H'F2FF FFFF in the P4 area. An address array access requires a 32-bit address field specification (when reading or writing) and a 32-bit data field specification (when writing). Information for selecting the entry to be accessed is specified in the address field, and VPN, V, and ASID to be written to the address array are specified in the data field.

In the address field, bits [31:24] have the value H'F2 indicating the ITLB address array, and the entry is selected by bits [9:8]. As longword access is used, 0 should be specified for address field bits [1:0].

In the data field, VPN is indicated by bits [31:10], V by bit [8], and ASID by bits [7:0].

The following two kinds of operation can be used on the ITLB address array:

1. ITLB address array read

VPN, V, and ASID are read into the data field from the ITLB entry corresponding to the entry set in the address field.

2. ITLB address array write

VPN, V, and ASID specified in the data field are written to the ITLB entry corresponding to the entry set in the address field.

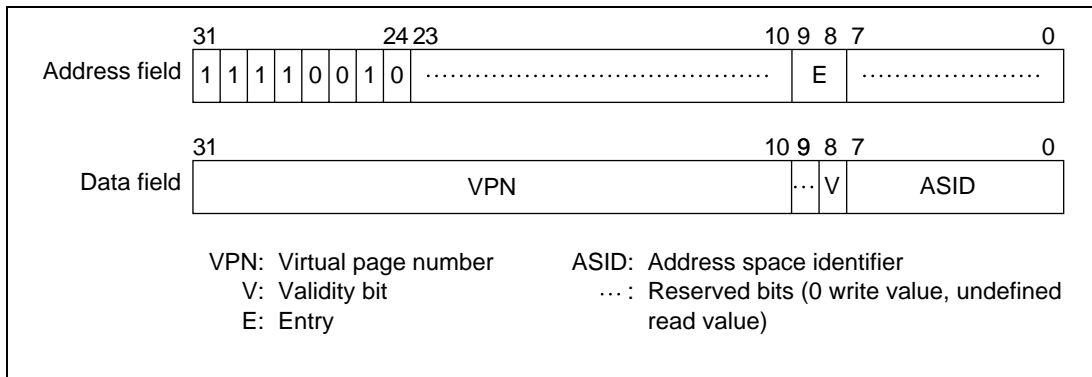


Figure 3.13 Memory-Mapped ITLB Address Array

3.7.2 ITLB Data Array 1

ITLB data array 1 is allocated to addresses H'F300 0000 to H'F37F FFFF in the P4 area. A data array access requires a 32-bit address field specification (when reading or writing) and a 32-bit data field specification (when writing). Information for selecting the entry to be accessed is specified in the address field, and PPN, V, SZ, PR, C, and SH to be written to the data array are specified in the data field.

In the address field, bits [31:23] have the value H'F30 indicating ITLB data array 1, and the entry is selected by bits [9:8].

In the data field, PPN is indicated by bits [28:10], V by bit [8], SZ by bits [7] and [4], PR by bit [6], C by bit [3], and SH by bit [1].

The following two kinds of operation can be used on ITLB data array 1:

1. ITLB data array 1 read
PPN, V, SZ, PR, C, and SH are read into the data field from the ITLB entry corresponding to the entry set in the address field.
2. ITLB data array 1 write
PPN, V, SZ, PR, C, and SH specified in the data field are written to the ITLB entry corresponding to the entry set in the address field.

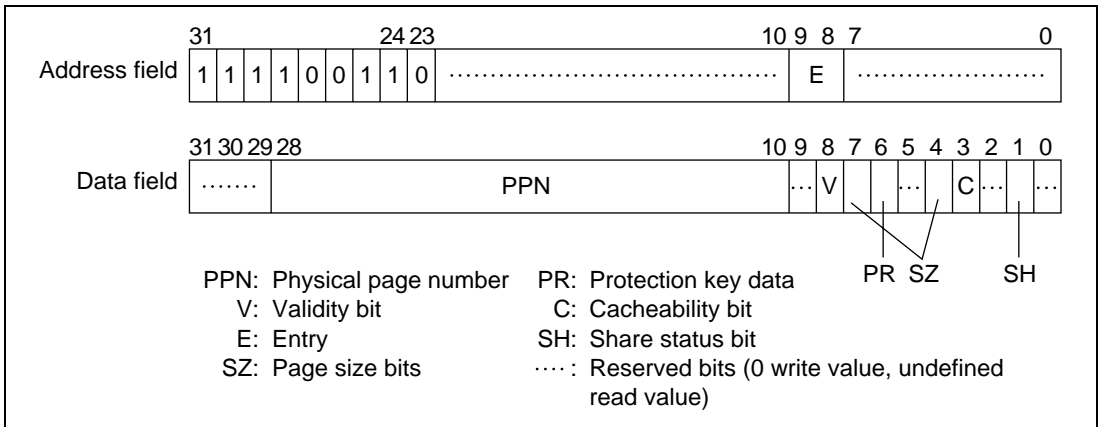


Figure 3.14 Memory-Mapped ITLB Data Array 1

3.7.3 ITLB Data Array 2

ITLB data array 2 is allocated to addresses H'F380 0000 to H'F3FF FFFF in the P4 area. A data array access requires a 32-bit address field specification (when reading or writing) and a 32-bit data field specification (when writing). Information for selecting the entry to be accessed is specified in the address field, and SA and TC to be written to data array 2 are specified in the data field.

In the address field, bits [31:23] have the value H'F38 indicating ITLB data array 2, and the entry is selected by bits [9:8].

In the data field, SA is indicated by bits [2:0], and TC by bit [3].

The following two kinds of operation can be used on ITLB data array 2:

1. ITLB data array 2 read

SA and TC are read into the data field from the ITLB entry corresponding to the entry set in the address field.

2. ITLB data array 2 write

SA and TC specified in the data field are written to the ITLB entry corresponding to the entry set in the address field.

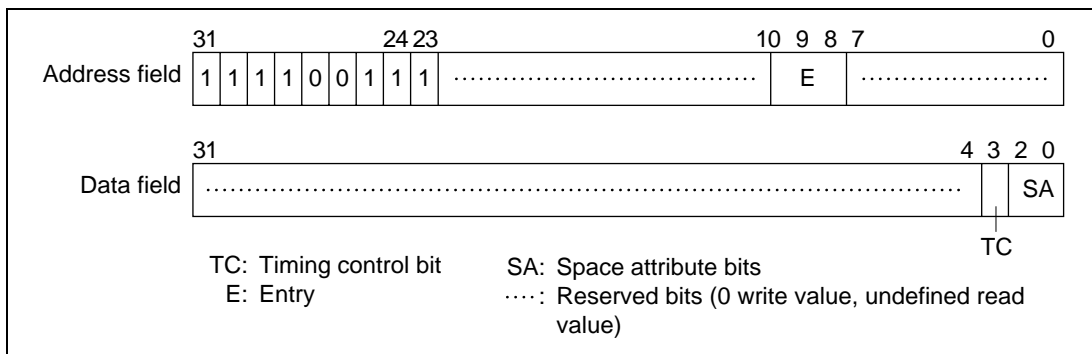


Figure 3.15 Memory-Mapped ITLB Data Array 2

3.7.4 UTLB Address Array

The UTLB address array is allocated to addresses H'F600 0000 to H'F6FF FFFF in the P4 area. An address array access requires a 32-bit address field specification (when reading or writing) and a 32-bit data field specification (when writing). Information for selecting the entry to be accessed is specified in the address field, and VPN, D, V, and ASID to be written to the address array are specified in the data field.

In the address field, bits [31:24] have the value HF6 indicating the UTLB address array, and the entry is selected by bits [13:8]. The address array bit [7] association bit (A bit) specifies whether or not address comparison is performed when writing to the UTLB address array.

In the data field, VPN is indicated by bits [31:10], D by bit [9], V by bit [8], and ASID by bits [7:0].

The following three kinds of operation can be used on the UTLB address array:

1. UTLB address array read

VPN, D, V, and ASID are read into the data field from the UTLB entry corresponding to the entry set in the address field. In a read, associative operation is not performed regardless of whether the association bit specified in the address field is 1 or 0.

2. UTLB address array write (non-associative)

VPN, D, V, and ASID specified in the data field are written to the UTLB entry corresponding to the entry set in the address field. The A bit in the address field should be cleared to 0.

3. UTLB address array write (associative)

When a write is performed with the A bit in the address field set to 1, comparison of all the UTLB entries is carried out using the VPN specified in the data field and PTEH.ASID. The usual address comparison rules are followed, but if a UTLB miss occurs, the result is no operation, and an exception is not generated. If the comparison identifies a UTLB entry corresponding to the VPN specified in the data field, D and V specified in the data field are written to that entry. If there is more than one matching entry, a data TLB multiple hit exception results. This associative operation is simultaneously carried out on the ITLB, and if a matching entry is found in the ITLB, V is written to that entry. Even if the UTLB comparison results in no operation, a write to the ITLB side only is performed as long as there is an ITLB match. If there is a match in both the UTLB and ITLB, the UTLB information is also written to the ITLB.

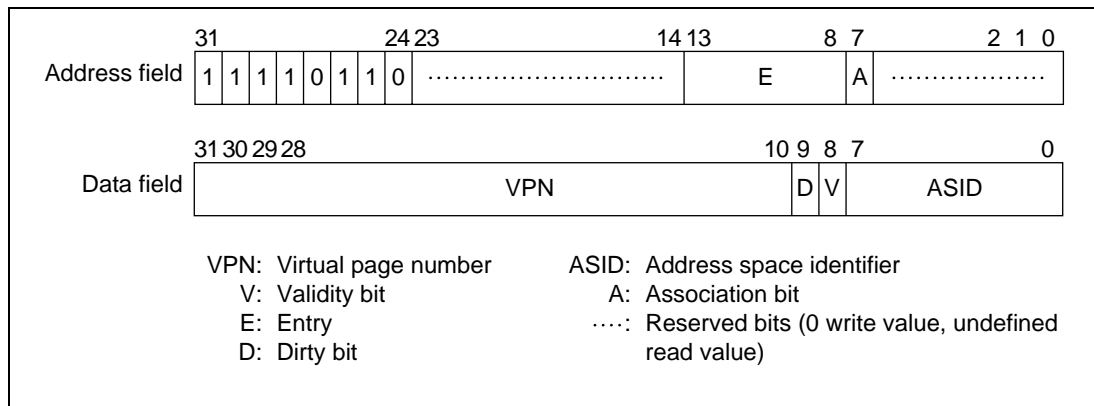


Figure 3.16 Memory-Mapped UTLB Address Array

3.7.5 UTLB Data Array 1

UTLB data array 1 is allocated to addresses H'F700 0000 to H'F77F FFFF in the P4 area. A data array access requires a 32-bit address field specification (when reading or writing) and a 32-bit data field specification (when writing). Information for selecting the entry to be accessed is specified in the address field, and PPN, V, SZ, PR, C, D, SH, and WT to be written to the data array are specified in the data field.

In the address field, bits [31:23] have the value H'F70 indicating UTLB data array 1, and the entry is selected by bits [13:8].

In the data field, PPN is indicated by bits [28:10], V by bit [8], SZ by bits [7] and [4], PR by bits [6:5], C by bit [3], D by bit [2], SH by bit [1], and WT by bit [0].

The following two kinds of operation can be used on UTLB data array 1:

1. UTLB data array 1 read

PPN, V, SZ, PR, C, D, SH, and WT are read into the data field from the UTLB entry corresponding to the entry set in the address field.

2. UTLB data array 1 write

PPN, V, SZ, PR, C, D, SH, and WT specified in the data field are written to the UTLB entry corresponding to the entry set in the address field.

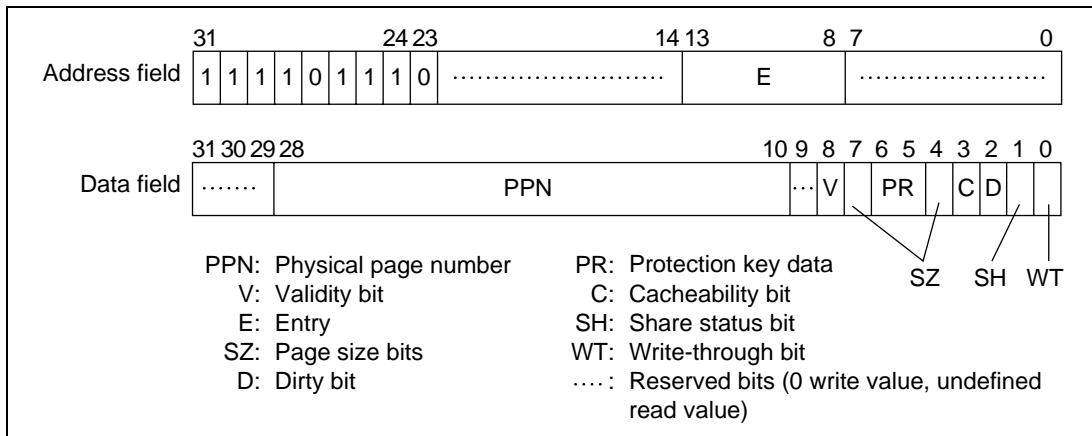


Figure 3.17 Memory-Mapped UTLB Data Array 1

3.7.6 UTLB Data Array 2

UTLB data array 2 is allocated to addresses H'F780 0000 to H'F7FF FFFF in the P4 area. A data array access requires a 32-bit address field specification (when reading or writing) and a 32-bit data field specification (when writing). Information for selecting the entry to be accessed is specified in the address field, and SA and TC to be written to data array 2 are specified in the data field.

In the address field, bits [31:23] have the value H'F78 indicating UTLB data array 2, and the entry is selected by bits [13:8].

In the data field, TC is indicated by bit [3], and SA by bits [2:0].

The following two kinds of operation can be used on UTLB data array 2:

1. UTLB data array 2 read
SA and TC are read into the data field from the UTLB entry corresponding to the entry set in the address field.
2. UTLB data array 2 write
SA and TC specified in the data field are written to the UTLB entry corresponding to the entry set in the address field.

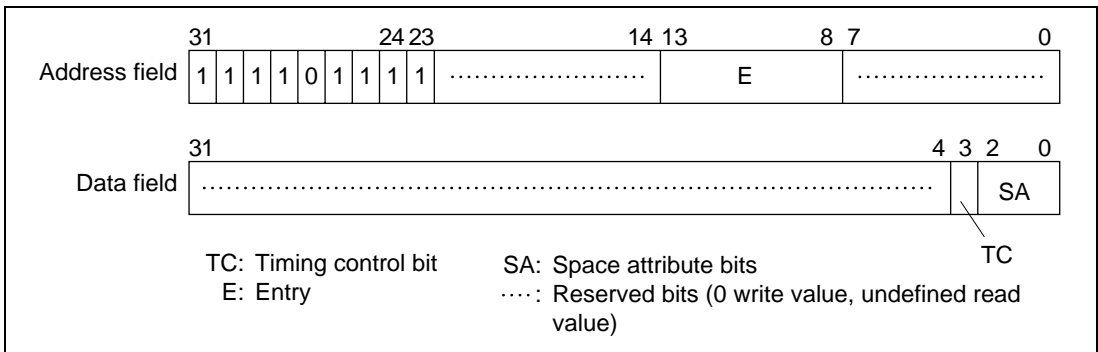


Figure 3.18 Memory-Mapped UTLB Data Array 2

Section 4 Caches

4.1 Overview

4.1.1 Features

An SH7750 or SH7750S has an on-chip 8-kbyte instruction cache (IC) for instructions and 16-kbyte operand cache (OC) for data. Half of the memory of the operand cache (8 kbytes) may alternatively be used as on-chip RAM. The features of this cache are summarized in table 4.1

The SH7750R has an on-chip 16-kbyte instruction cache (IC) for instructions and 32-kbyte operand cache (OC) for data. Half of the memory of the operand cache (16 kbytes) may alternatively be used as on-chip RAM. When the EMODE bit of the CCR register is 0, the SH7750R's cache is set to operate in the SH7750/SH7750S-compatible mode and behaves as shown in table 4.1. The features of the cache when the EMODE bit in the CCR register is 1 are given in table 4.2. The EMODE bit is initialized to 0 after a power-on reset or manual reset.

For high-speed writing to external memories, the SH7750 series supports 32 bytes \times 2 of store queues (SQ). Table 4.3 lists the features of these SQs.

Table 4.1 Cache Features (SH7750, SH7750S)

Item	Instruction Cache	Operand Cache
Capacity	8-kbyte cache	16-kbyte cache or 8-kbyte cache + 8-kbyte RAM
Type	Direct mapping	Direct mapping
Line size	32 bytes	32 bytes
Entries	256	512
Write method		Copy-back/write-through selectable

Table 4.2 Cache Features (SH7750R)

Item	Instruction Cache	Operand Cache
Capacity	16-kbyte cache	32-kbyte cache or 16-kbyte cache + 16-kbyte RAM
Type	2-way set-associative	2-way set-associative
Line size	32 bytes	32 bytes
Entries	256 entries/way	512 entries/way
Write method		Copy-back/write-through selectable
Replacement method	LRU (least-recently-used) algorithm	LRU algorithm

Table 4.3 Features of Store Queues

Item	Store Queues
Capacity	2 × 32 bytes
Addresses	H'E000 0000 to H'E3FF FFFF
Write	Store instruction (1-cycle write)
Write-back	Prefetch instruction (PREF instruction)
Access right	MMU off: according to MMUCR.SQMD MMU on: according to individual page PR

4.1.2 Register Configuration

Table 4.4 shows the cache control registers.

Table 4.4 Cache Control Registers

Name	Abbreviation	R/W	Initial Value* ¹	P4 Address* ²	Area 7 Address* ²	Access Size
Cache control register	CCR	R/W	H'0000 0000	H'FF00 001C	H'1F00 001C	32
Queue address control register 0	QACR0	R/W	Undefined	H'FF00 0038	H'1F00 0038	32
Queue address control register 1	QACR1	R/W	Undefined	H'FF00 003C	H'1F00 003C	32

Notes: *1 The initial value is the value after a power-on or manual reset.

*2 This is the address when using the virtual/physical address space P4 area. The area 7 address is the address used when making an access from physical address space area 7 using the TLB.

4.2 Register Descriptions

There are three cache and store queue related control registers, as shown in figure 4.1.

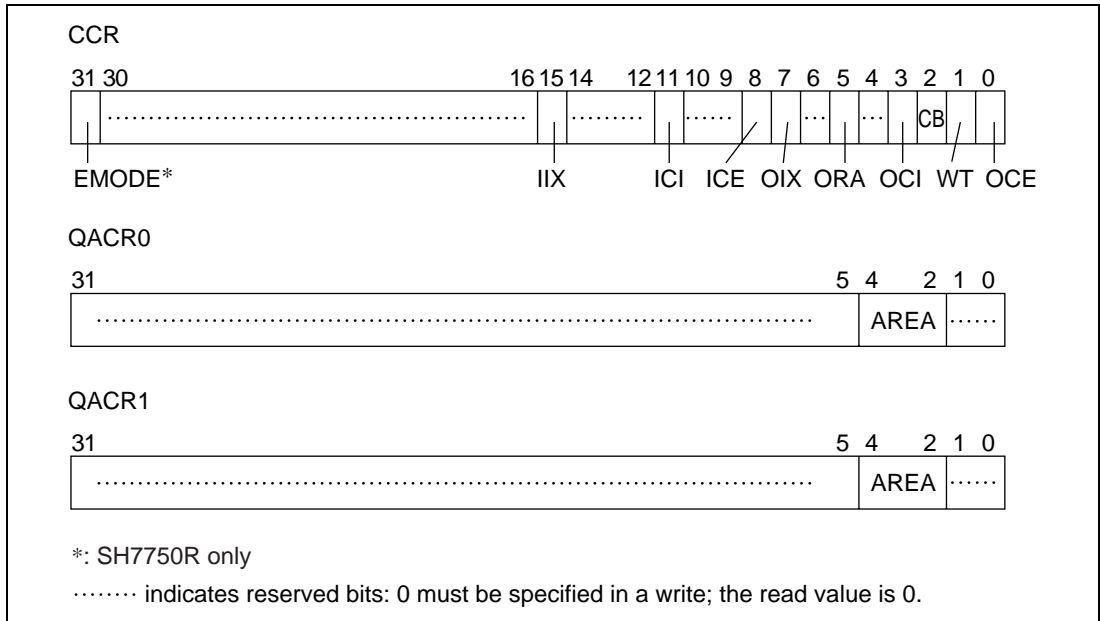


Figure 4.1 Cache and Store Queue Control Registers

(1) Cache Control Register (CCR): CCR contains the following bits:

- EMODE: Double-sized cache mode (Only for SH7750R; reserved bit for SH7750 and SH7750S)
- IIX: IC index enable
- ICI: IC invalidation
- ICE: IC enable
- OIX: OC index enable
- ORA: OC RAM enable
- OCI: OC invalidation
- CB: Copy-back enable
- WT: Write-through enable
- OCE: OC enable

Longword access to CCR can be performed from H'FF00 001C in the P4 area and H'1F00 001C in area 7. The CCR bits are used for the cache settings described below. Consequently, CCR modifications must only be made by a program in the non-cached P2 area. After CCR is updated, an instruction that performs data access to the P0, P1, P3, or U0 area should be located at least four instructions after the CCR update instruction. Also, a branch instruction to the P0, P1, P3, or U0 area should be located at least eight instructions after the CCR update instruction.

- **EMODE: Double-sized cache mode bit**
 In the SH7750R, this bit indicates whether the double-sized cache mode is used or not.
 This bit is reserved in the SH7750 and SH7750S. The EMODE bit must not be written to while the cache is being used.
 0: SH7750/SH7750S-compatible mode*¹ (initial value)
 1: Double-sized cache mode
- **IIX: IC index enable bit**
 0: Effective address bits [12:5] used for IC entry selection
 1: Effective address bits [25] and [11:5] used for IC entry selection
- **ICI: IC invalidation bit**
 When 1 is written to this bit, the V bits of all IC entries are cleared to 0. This bit always returns 0 when read.
- **ICE: IC enable bit**
 Indicates whether or not the IC is to be used. When address translation is performed, the IC cannot be used unless the C bit in the page management information is also 1.
 0: IC not used
 1: IC used
- **OIX: OC index enable bit*²**
 0: Effective address bits [13:5] used for OC entry selection
 1: Effective address bits [25] and [12:5] used for OC entry selection
- **ORA: OC RAM enable bit*³**
 When the OC is enabled (OCE = 1), the ORA bit specifies whether the half of the OC are to be used as RAM. When the OC is not enabled (OCE = 0), the ORA bit should be cleared to 0.
 0: Normal mode (the entire OC is used as a cache)
 1: RAM mode (half of the OC is used as a cache and the other half is used as RAM)
- **OCI: OC invalidation bit**
 When 1 is written to this bit, the V and U bits of all OC entries are cleared to 0. This bit always returns 0 when read.
- **CB: Copy-back bit**
 Indicates the P1 area cache write mode.
 0: Write-through mode
 1: Copy-back mode

- **WT: Write-through bit**

Indicates the P0, U0, and P3 area cache write mode. When address translation is performed, the value of the WT bit in the page management information has priority.

0: Copy-back mode

1: Write-through mode

- **OCE: OC enable bit**

Indicates whether or not the OC is to be used. When address translation is performed, the OC cannot be used unless the C bit in the page management information is also 1.

0: OC not used

1: OC used

Note: *1 No compatibility for RAM mode in OC index mode and address assignment in RAM mode.

*2 When the ORA bit is 1 in the SH7750R, the OIX bit should be cleared to 0.

*3 When the OIX bit in the SH7750R is 1, the ORA bit should be cleared to 0.

(2) Queue Address Control Register 0 (QACR0): Longword access to QACR0 can be performed from H'FF00 0038 in the P4 area and H'1F00 0038 in area 7. QACR0 specifies the area onto which store queue 0 (SQ0) is mapped when the MMU is off.

(3) Queue Address Control Register 1 (QACR1): Longword access to QACR1 can be performed from H'FF00 003C in the P4 area and H'1F00 003C in area 7. QACR1 specifies the area onto which store queue 1 (SQ1) is mapped when the MMU is off.

4.3 Operand Cache (OC)

4.3.1 Configuration

The operand cache of the SH7750 or SH7750S is of the direct-mapping type and consists of 512 cache lines, each composed of a 19-bit tag, V bit, U bit, and 32-byte data. The SH7750R's operand cache is 2-way set-associative. Each way consists of 512 cache lines.

Figure 4.2 shows the configuration of the operand cache for the SH7750 and SH7750S.

Figure 4.3 shows the configuration of the operand cache for the SH7750R.

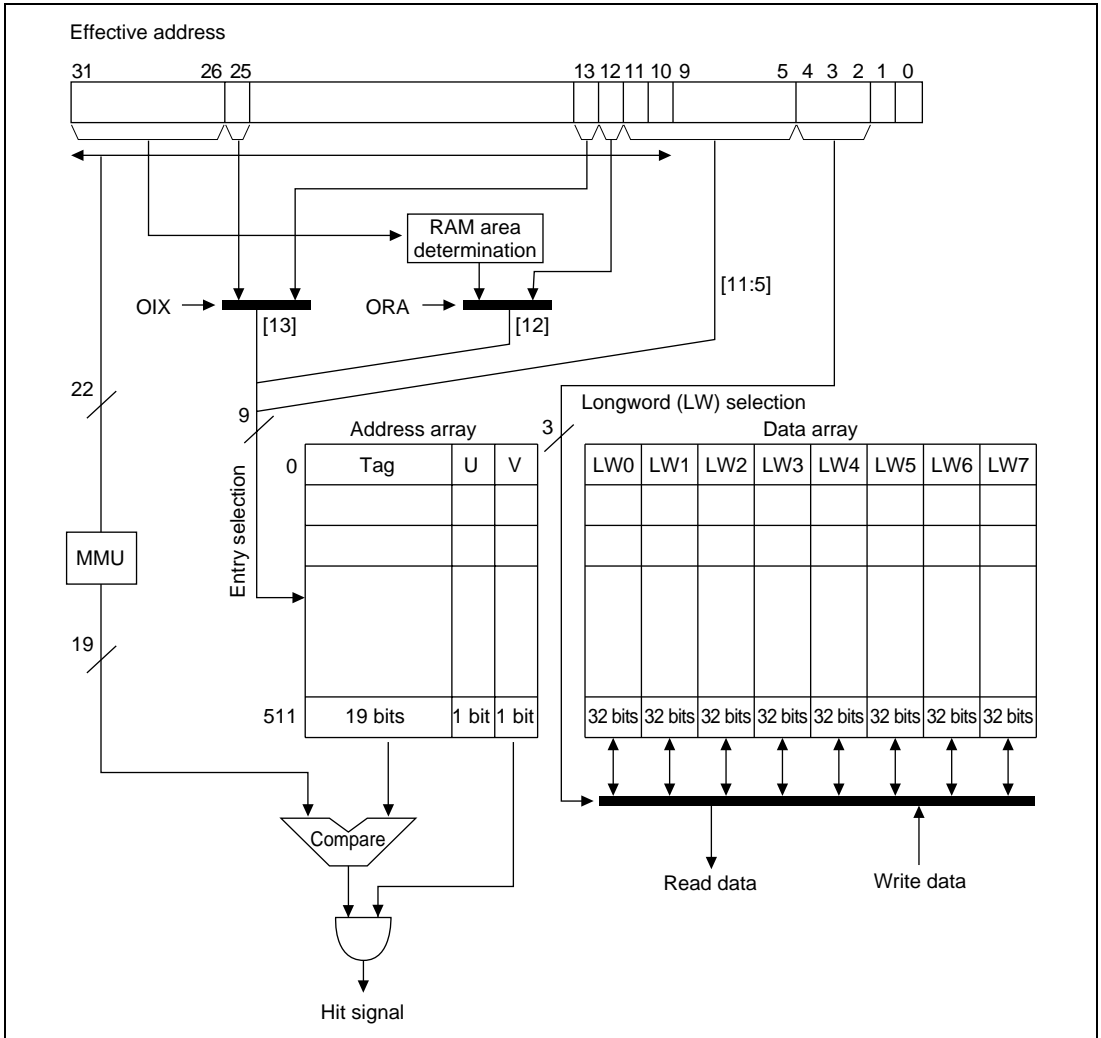


Figure 4.2 Configuration of Operand Cache(SH7750, SH7750S)

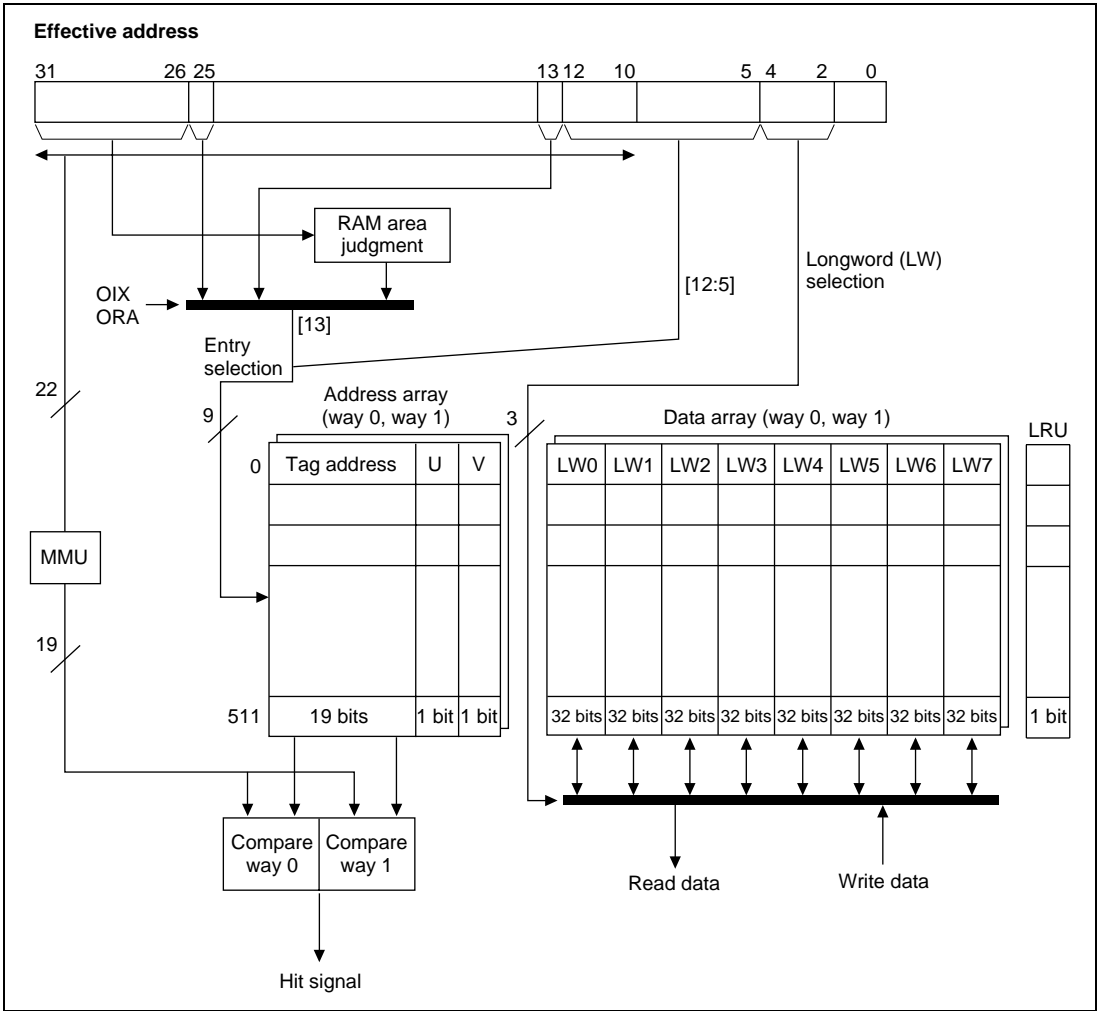


Figure 4.3 Configuration of Operand Cache (SH7750R)

- **Tag**
Stores the upper 19 bits of the 29-bit external memory address of the data line to be cached. The tag is not initialized by a power-on or manual reset.
- **V bit (validity bit)**
Indicates that valid data is stored in the cache line. When this bit is 1, the cache line data is valid. The V bit is initialized to 0 by a power-on reset, but retains its value in a manual reset.
- **U bit (dirty bit)**
The U bit is set to 1 if data is written to the cache line while the cache is being used in copy-back mode. That is, the U bit indicates a mismatch between the data in the cache line and the data in external memory. The U bit is never set to 1 while the cache is being used in write-through mode, unless it is modified by accessing the memory-mapped cache (see section 4.5, Memory-Mapped Cache Configuration). The U bit is initialized to 0 by a power-on reset, but retains its value in a manual reset.
- **Data field**
The data field holds 32 bytes (256 bits) of data per cache line. The data array is not initialized by a power-on or manual reset.
- **LRU (SH7750R only)**
In a 2-way set-associative cache, up to 2 items of data can be registered in the cache at each entry address (address: 13–5). When an entry is registered, the LRU bit indicates which of the 2 ways it is to be registered in. The LRU bit is a single bit of each entry, and its value is controlled by hardware.
The LRU (least-recently-used) algorithm is used for way selection, and selects the less recently accessed way. The LRU bits are initialized to 0 by a power-on reset but not by a manual reset. The LRU bits cannot be read or written by software.

4.3.2 Read Operation

When the OC is enabled (CCR.OCE = 1) and data is read by means of an effective address from a cacheable area, the cache operates as follows:

1. The tag, V bit, and U bit are read from the cache line indexed by effective address bits [13:5].
2. The tag is compared with bits [28:10] of the address resulting from effective address translation by the MMU:
 - If the tag matches and the V bit is 1 → (3a)
 - If the tag matches and the V bit is 0 → (3b)
 - If the tag does not match and the V bit is 0 → (3b)
 - If the tag does not match, the V bit is 1, and the U bit is 0 → (3b)
 - If the tag does not match, the V bit is 1, and the U bit is 1 → (3c)

3a. Cache hit

The data indexed by effective address bits [4:0] is read from the data field of the cache line indexed by effective address bits [13:5] in accordance with the access size (quadword/longword/word/byte).

3b. Cache miss (no write-back)

Data is read into the cache line from the external memory space corresponding to the effective address. Data reading is performed, using the wraparound method, in order from the longword data corresponding to the effective address, and when the corresponding data arrives in the cache, the read data is returned to the CPU. While the remaining one cache line of data is being read, the CPU can execute the next processing. When reading of one line of data is completed, the tag corresponding to the effective address is recorded in the cache, and 1 is written to the V bit.

3c. Cache miss (with write-back)

The tag and data field of the cache line indexed by effective address bits [13:5] are saved in the write-back buffer. Then data is read into the cache line from the external memory space corresponding to the effective address. Data reading is performed, using the wraparound method, in order from the longword data corresponding to the effective address, and when the corresponding data arrives in the cache, the read data is returned to the CPU. While the remaining one cache line of data is being read, the CPU can execute the next processing. When reading of one line of data is completed, the tag corresponding to the effective address is recorded in the cache, 1 is written to the V bit, and 0 to the U bit. The data in the write-back buffer is then written back to external memory.

4.3.3 Write Operation

When the OC is enabled (CCR.OCE = 1) and data is written by means of an effective address to a cacheable area, the cache operates as follows:

1. The tag, V bit, and U bit are read from the cache line indexed by effective address bits [13:5].
2. The tag is compared with bits [28:10] of the address resulting from effective address translation by the MMU:

	Copy-back	Write-through
• If the tag matches and the V bit is 1	→ (3a)	→ (3b)
• If the tag matches and the V bit is 0	→ (3c)	→ (3d)
• If the tag does not match and the V bit is 0	→ (3c)	→ (3d)
• If the tag does not match, the V bit is 1, and the U bit is 0	→ (3c)	→ (3d)
• If the tag does not match, the V bit is 1, and the U bit is 1	→ (3e)	→ (3d)

3a. Cache hit (copy-back)

A data write in accordance with the access size (quadword/longword/word/byte) is performed for the data indexed by bits [4:0] of the effective address of the data field of the cache line indexed by effective address bits [13:5]. Then 1 is set in the U bit.

3b. Cache hit (write-through)

A data write in accordance with the access size (quadword/longword/word/byte) is performed for the data indexed by bits [4:0] of the effective address of the data field of the cache line indexed by effective address bits [13:5]. A write is also performed to the corresponding external memory using the specified access size.

3c. Cache miss (no copy-back/write-back)

A data write in accordance with the access size (quadword/longword/word/byte) is performed for the data indexed by bits [4:0] of the effective address of the data field of the cache line indexed by effective address bits [13:5]. Then, data is read into the cache line from the external memory space corresponding to the effective address. Data reading is performed, using the wraparound method, in order from the longword data corresponding to the effective address, and one cache line of data is read excluding the written data. During this time, the CPU can execute the next processing. When reading of one line of data is completed, the tag corresponding to the effective address is recorded in the cache, and 1 is written to the V bit and U bit.

3d. Cache miss (write-through)

A write of the specified access size is performed to the external memory corresponding to the effective address. In this case, a write to cache is not performed.

3e. Cache miss (with copy-back/write-back)

The tag and data field of the cache line indexed by effective address bits [13:5] are first saved in the write-back buffer, and then a data write in accordance with the access size (quadword/longword/word/byte) is performed for the data indexed by bits [4:0] of the effective address of the data field of the cache line indexed by effective address bits [13:5]. Then, data is read into the cache line from the external memory space corresponding to the effective address. Data reading is performed, using the wraparound method, in order from the longword data corresponding to the effective address, and one cache line of data is read excluding the written data. During this time, the CPU can execute the next processing. When reading of one line of data is completed, the tag corresponding to the effective address is recorded in the cache, and 1 is written to the V bit and U bit. The data in the write-back buffer is then written back to external memory.

4.3.4 Write-Back Buffer

In order to give priority to data reads to the cache and improve performance, the SH7750 Series has a write-back buffer which holds the relevant cache entry when it becomes necessary to purge a dirty cache entry into external memory as the result of a cache miss. The write-back buffer contains one cache line of data and the physical address of the purge destination.

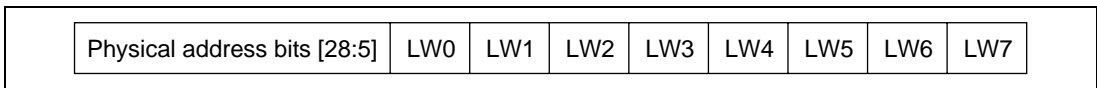


Figure 4.4 Configuration of Write-Back Buffer

4.3.5 Write-Through Buffer

The SH7750 Series has a 64-bit buffer for holding write data when writing data in write-through mode or writing to a non-cacheable area. This allows the CPU to proceed to the next operation as soon as the write to the write-through buffer is completed, without waiting for completion of the write to external memory.

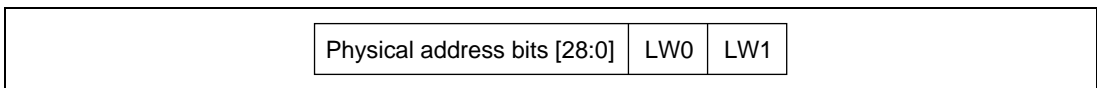


Figure 4.5 Configuration of Write-Through Buffer

4.3.6 RAM Mode

Setting CCR.ORA to 1 enables half of the operand cache to be used as RAM. In the SH7750 or SH7750S, the 8 kbytes of operand cache entries 128 to 255 and 384 to 511 are used as RAM. In the SH7750/SH7750S-compatible mode of the SH7750R, the 8-kbyte area otherwise used for OC entries 256 to 511 is designated as a RAM area. In the double-sized cache mode of the SH7750R, a total of 16 kbytes, comprising entries 256 to 511 in both of the ways of the operand cache, is designated as a RAM area. Other entries can still be used as cache. RAM can be accessed using addresses H'7C00 0000 to H'7FFF FFFF. Byte-, word-, longword-, and quadword-size data reads and writes can be performed in the operand cache RAM area. Instruction fetches cannot be performed in this area. With the SH7750R, the OC index mode is not available in RAM mode.

An example of RAM use in the SH7750 or SH7750S is shown below. Here, the 4 kbytes comprising OC entries 128 to 255 are designated as RAM area 1, and the 4 kbytes comprising OC entries 384 to 511 as RAM area 2.

- When OC index mode is off (CCR.OIX = 0)

H'7C00 0000 to H'7C00 0FFF (4 kB): Corresponds to RAM area 1

H'7C00 1000 to H'7C00 1FFF (4 kB): Corresponds to RAM area 1

H'7C00 2000 to H'7C00 2FFF (4 kB): Corresponds to RAM area 2

H'7C00 3000 to H'7C00 3FFF (4 kB): Corresponds to RAM area 2

H'7C00 4000 to H'7C00 4FFF (4 kB): Corresponds to RAM area 1

: : :

RAM areas 1 and 2 in the SH7750 or SH7750S then repeat every 8 kbytes up to H'7FFF FFFF.

Thus, to secure a continuous 8-kbyte RAM area, the area from H'7C00 1000 to H'7C00 2FFF can be used, for example.

- When OC index mode is on (CCR.OIX = 1)

H'7C00 0000 to H'7C00 0FFF (4 kB): Corresponds to RAM area 1

H'7C00 1000 to H'7C00 1FFF (4 kB): Corresponds to RAM area 1

H'7C00 2000 to H'7C00 2FFF (4 kB): Corresponds to RAM area 1

: : :

H'7DFF F000 to H'7DFF FFFF (4 kB): Corresponds to RAM area 1

H'7E00 0000 to H'7E00 0FFF (4 kB): Corresponds to RAM area 2

H'7E00 1000 to H'7E00 1FFF (4 kB): Corresponds to RAM area 2

: : :

H'7FFF F000 to H'7FFF FFFF (4 kB): Corresponds to RAM area 2

As the distinction between RAM areas 1 and 2 is indicated by address bit [25], the area from H'7DFF F000 to H'7E00 0FFF should be used to secure a continuous 8-kbyte RAM area.

Examples of RAM usage with the SH7750R is shown below.

- In SH7750/SH7750S-compatible mode (CCR.EMODE = 0)
 H'7C00 0000 to H'7C00 1FFF (8 kB): RAM area (entries 256 to 511)
 H'7C00 2000 to H'7C00 3FFF (8 kB): RAM area (entries 256 to 511)
 : : :

In the same pattern, shadows of the RAM area are created in 8-kbyte blocks until H'7FFF FFFF is reached.

- In double-sized cache mode (CCR.EMODE = 1)
 In this mode, the 8 kbytes comprising entries 256 to 511 of OC way 0 are designated as RAM area 1 and the 8-kbytes comprising entries 256 to 511 of OC way 1 are designated as RAM area 2.
 H'7C00 0000 to H'7C00 1FFF (8 kB): Corresponds to RAM area 1
 H'7C00 2000 to H'7C00 3FFF (8 kB): Corresponds to RAM area 2
 H'7C00 4000 to H'7C00 5FFF (8 kB): Corresponds to RAM area 1
 H'7C00 6000 to H'7C00 7FFF (8 kB): Corresponds to RAM area 2
 : : :

In the same pattern, shadows of the RAM area are created in 16-kbyte blocks until H'7FFF FFFF is reached.

4.3.7 OC Index Mode

Setting CCR.OIX to 1 enables OC indexing to be performed using bit [25] of the effective address. This is called OC index mode. In normal mode, with CCR.OIX cleared to 0, OC indexing is performed using bits [13:5] of the effective address. Using index mode allows the OC to be handled as two areas by means of effective address bit [25], providing efficient use of the cache. The SH7750R cannot be used in RAM mode when OC index mode is selected.

4.3.8 Coherency between Cache and External Memory

Coherency between cache and external memory should be assured by software. In the SH7750 Series, the following four new instructions are supported for cache operations. Details of these instructions are given in the Programming Manual.

Invalidate instruction:	OCBI @Rn	Cache invalidation (no write-back)
Purge instruction:	OCBP @Rn	Cache invalidation (with write-back)
Write-back instruction:	OCBWB @Rn	Cache write-back
Allocate instruction:	MOVCA.L R0,@Rn	Cache allocation

4.3.9 Prefetch Operation

The SH7750 Series supports a prefetch instruction to reduce the cache fill penalty incurred as the result of a cache miss. If it is known that a cache miss will result from a read or write operation, it is possible to fill the cache with data beforehand by means of the prefetch instruction to prevent a cache miss due to the read or write operation, and so improve software performance. If a prefetch instruction is executed for data already held in the cache, or if the prefetch address results in a UTLB miss or a protection violation, the result is no operation, and an exception is not generated. Details of the prefetch instruction are given in the Programming Manual.

Prefetch instruction: PREF @Rn

4.4 Instruction Cache (IC)

4.4.1 Configuration

The instruction cache of the SH7750 or SH7750S is of the direct-mapping type and consists of 256 cache lines, each composed of a 19-bit tag, V bit, and 32-byte data (16 instructions). The SH7750R's instruction cache is 2-way set associative. Each way consists of 256 cache lines.

Figure 4.6 shows the configuration of the instruction cache for the SH7750 and SH7750S.

Figure 4.7 shows the configuration of the instruction cache for the SH7750R.

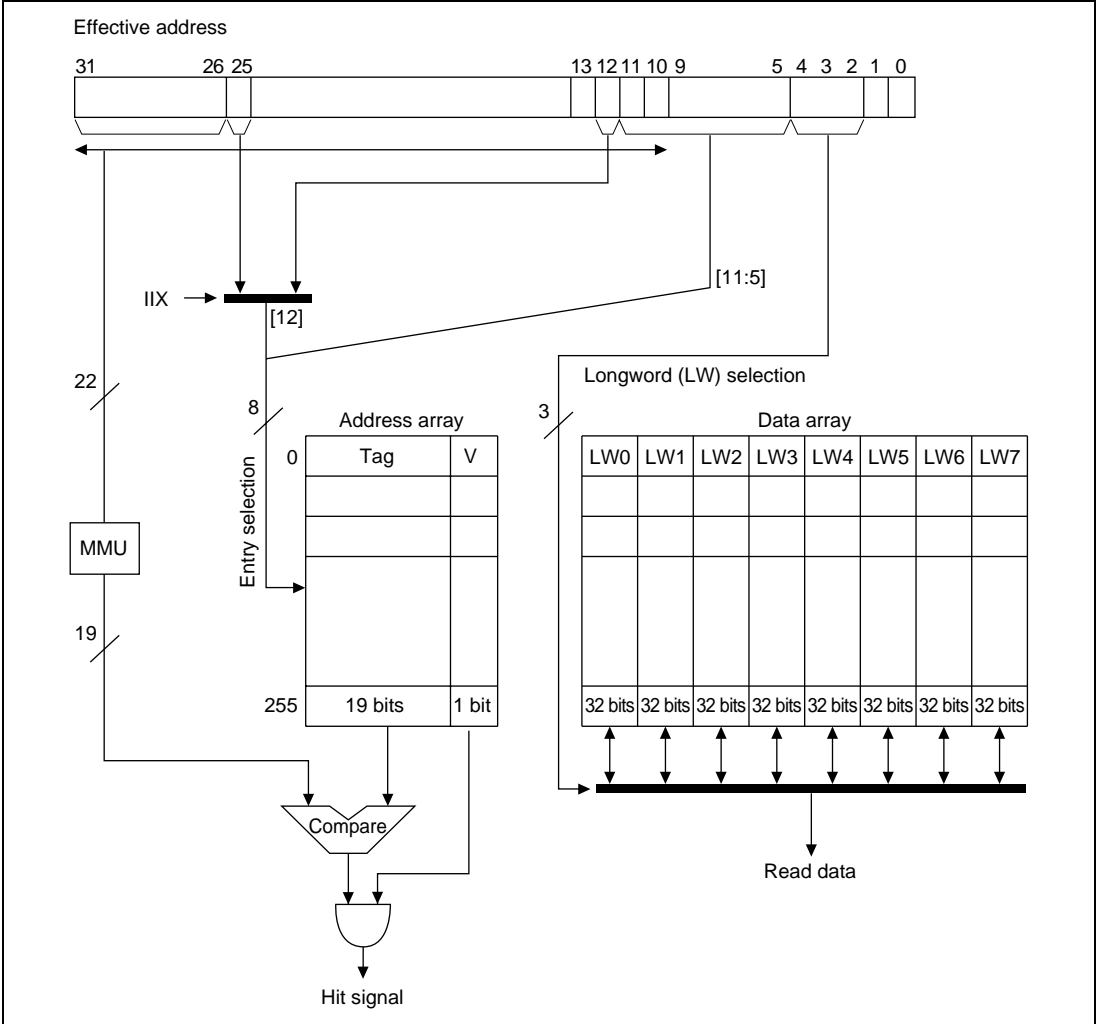


Figure 4.6 Configuration of Instruction Cache (SH7750, SH7750S)

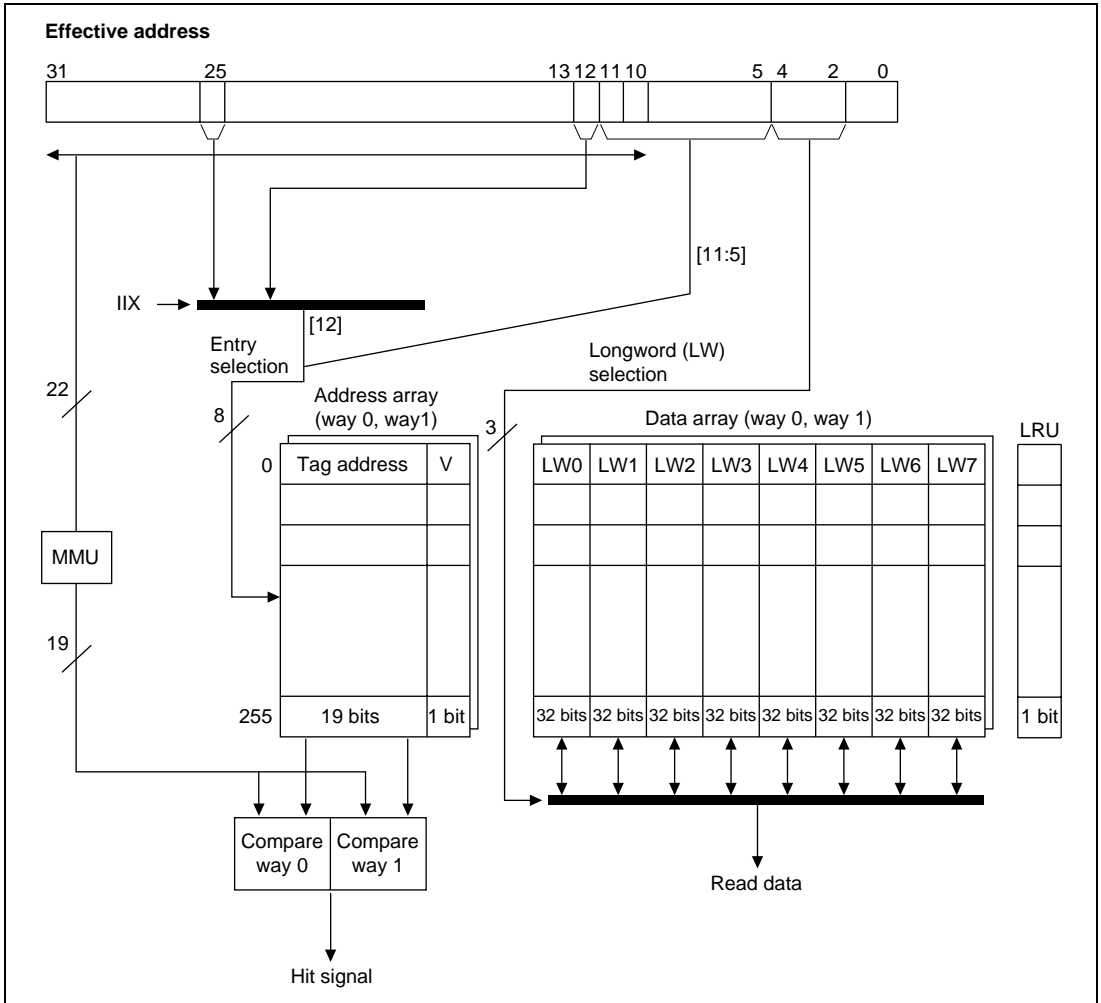


Figure 4.7 Configuration of Instruction Cache (SH7750R)

- **Tag**
Stores the upper 19 bits of the 29-bit external address of the data line to be cached. The tag is not initialized by a power-on or manual reset.
- **V bit (validity bit)**
Indicates that valid data is stored in the cache line. When this bit is 1, the cache line data is valid. The V bit is initialized to 0 by a power-on reset, but retains its value in a manual reset.
- **Data array**
The data field holds 32 bytes (256 bits) of data per cache line. The data array is not initialized by a power-on or manual reset.

- LRU (SH7750R only)

In a 2-way set-associative cache, up to 2 items of data can be registered in the cache at each entry address (address: 12–5). When an entry is registered, the LRU bit indicates which of the 2 ways it is to be registered in. The LRU bit is a single bit of each entry, and its usage is controlled by hardware.

The LRU (least-recently-used) algorithm is used for way selection, and selects the less recently accessed way. The LRU bits are initialized to 0 by a power-on reset but not by a manual reset. The LRU bits cannot be read or written by software.

4.4.2 Read Operation

When the IC is enabled (CCR.ICE = 1) and instruction fetches are performed by means of an effective address from a cacheable area, the instruction cache operates as follows:

1. The tag and V bit are read from the cache line indexed by effective address bits [12:5].
2. The tag is compared with bits [28:10] of the address resulting from effective address translation by the MMU:
 - If the tag matches and the V bit is 1 → (3a)
 - If the tag matches and the V bit is 0 → (3b)
 - If the tag does not match and the V bit is 0 → (3b)
 - If the tag does not match and the V bit is 1 → (3b)

3a. Cache hit

The data indexed by effective address bits [4:2] is read as an instruction from the data field of the cache line indexed by effective address bits [12:5].

3b. Cache miss

Data is read into the cache line from the external memory space corresponding to the effective address. Data reading is performed, using the wraparound method, in order from the longword data corresponding to the effective address, and when the corresponding data arrives in the cache, the read data is returned to the CPU as an instruction. When reading of one line of data is completed, the tag corresponding to the effective address is recorded in the cache, and 1 is written to the V bit.

4.4.3 IC Index Mode

Setting CCR.IIX to 1 enables IC indexing to be performed using bit [25] of the effective address. This is called IC index mode. In normal mode, with CCR.IIX cleared to 0, IC indexing is performed using bits [12:5] of the effective address. Using index mode allows the IC to be handled as two areas by means of effective address bit [25], providing efficient use of the cache.

4.5 Memory-Mapped Cache Configuration (SH7750, SH7750S)

To enable the IC and OC to be managed by software, their contents can be read and written by a P2 area program with a MOV instruction in privileged mode. Operation is not guaranteed if access is made from a program in another area. In this case, a branch to the P0, U0, P1, or P3 area should be made at least 8 instructions after this MOV instruction. The IC and OC are allocated to the P4 area in physical memory space. Only data accesses can be used on both the IC address array and data array and the OC address array and data array, and accesses are always longword-size. Instruction fetches cannot be performed in these areas. For reserved bits, a write value of 0 should be specified; their read value is undefined.

4.5.1 IC Address Array

The IC address array is allocated to addresses H'F000 0000 to H'FOFF FFFF in the P4 area. An address array access requires a 32-bit address field specification (when reading or writing) and a 32-bit data field specification. The entry to be accessed is specified in the address field, and the write tag and V bit are specified in the data field.

In the address field, bits [31:24] have the value H'F0 indicating the IC address array, and the entry is specified by bits [12:5]. CCR.IIX has no effect on this entry specification. The address array bit [3] association bit (A bit) specifies whether or not association is performed when writing to the IC address array. As only longword access is used, 0 should be specified for address field bits [1:0].

In the data field, the tag is indicated by bits [31:10], and the V bit by bit [0]. As the IC address array tag is 19 bits in length, data field bits [31:29] are not used in the case of a write in which association is not performed. Data field bits [31:29] are used for the virtual address specification only in the case of a write in which association is performed.

The following three kinds of operation can be used on the IC address array:

1. IC address array read

The tag and V bit are read into the data field from the IC entry corresponding to the entry set in the address field. In a read, associative operation is not performed regardless of whether the association bit specified in the address field is 1 or 0.

2. IC address array write (non-associative)

The tag and V bit specified in the data field are written to the IC entry corresponding to the entry set in the address field. The A bit in the address field should be cleared to 0.

3. IC address array write (associative)

When a write is performed with the A bit in the address field set to 1, the tag stored in the entry specified in the address field is compared with the tag specified in the data field. If the MMU is enabled at this time, comparison is performed after the virtual address specified by data field bits [31:10] has been translated to a physical address using the ITLB. If the addresses match and the V bit is 1, the V bit specified in the data field is written into the IC entry. In

other cases, no operation is performed. This operation is used to invalidate a specific IC entry. If an ITLB miss occurs during address translation, or the comparison shows a mismatch, an interrupt is not generated, no operation is performed, and the write is not executed. If an instruction TLB multiple hit exception occurs during address translation, processing switches to the instruction TLB multiple hit exception handling routine.

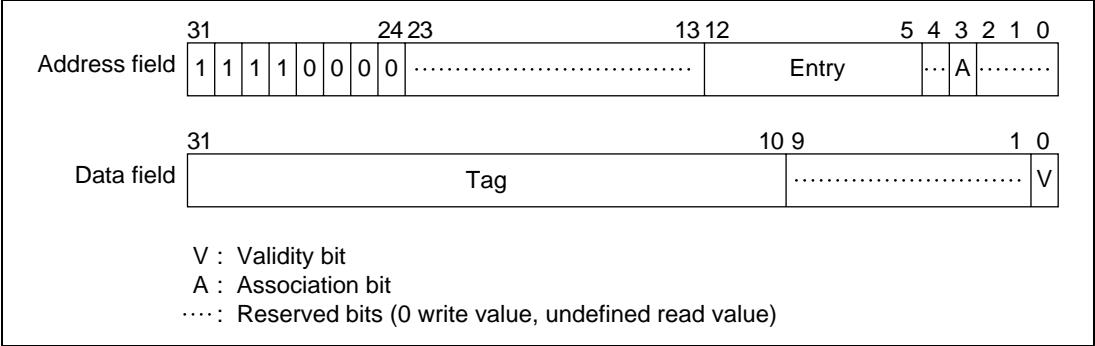


Figure 4.8 Memory-Mapped IC Address Array

4.5.2 IC Data Array

The IC data array is allocated to addresses H'F100 0000 to H'F1FF FFFF in the P4 area. A data array access requires a 32-bit address field specification (when reading or writing) and a 32-bit data field specification. The entry to be accessed is specified in the address field, and the longword data to be written is specified in the data field.

In the address field, bits [31:24] have the value HF1 indicating the IC data array, and the entry is specified by bits [12:5]. CCR.IIX has no effect on this entry specification. Address field bits [4:2] are used for the longword data specification in the entry. As only longword access is used, 0 should be specified for address field bits [1:0].

The data field is used for the longword data specification.

The following two kinds of operation can be used on the IC data array:

1. IC data array read
 Longword data is read into the data field from the data specified by the longword specification bits in the address field in the IC entry corresponding to the entry set in the address field.
2. IC data array write
 The longword data specified in the data field is written for the data specified by the longword specification bits in the address field in the IC entry corresponding to the entry set in the address field.

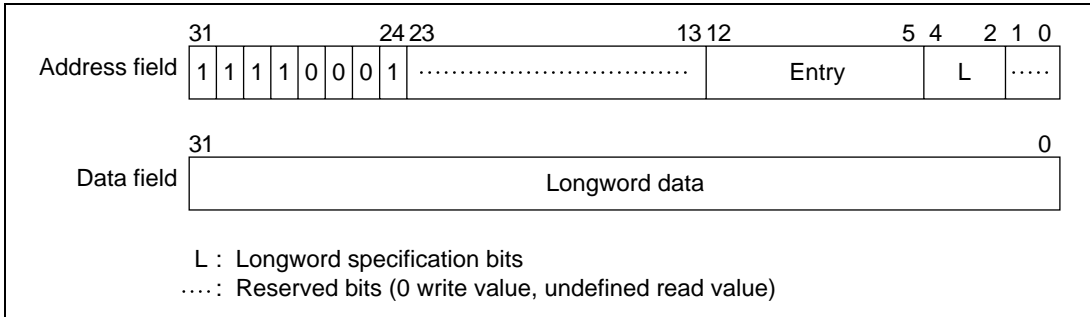


Figure 4.9 Memory-Mapped IC Data Array

4.5.3 OC Address Array

The OC address array is allocated to addresses H'F400 0000 to H'F4FF FFFF in the P4 area. An address array access requires a 32-bit address field specification (when reading or writing) and a 32-bit data field specification. The entry to be accessed is specified in the address field, and the write tag, U bit, and V bit are specified in the data field.

In the address field, bits [31:24] have the value H'F4 indicating the OC address array, and the entry is specified by bits [13:5]. CCR.OIX and CCR.ORA have no effect on this entry specification. The address array bit [3] association bit (A bit) specifies whether or not association is performed when writing to the OC address array. As only longword access is used, 0 should be specified for address field bits [1:0].

In the data field, the tag is indicated by bits [31:10], the U bit by bit [1], and the V bit by bit [0]. As the OC address array tag is 19 bits in length, data field bits [31:29] are not used in the case of a write in which association is not performed. Data field bits [31:29] are used for the virtual address specification only in the case of a write in which association is performed.

The following three kinds of operation can be used on the OC address array:

1. OC address array read

The tag, U bit, and V bit are read into the data field from the OC entry corresponding to the entry set in the address field. In a read, associative operation is not performed regardless of whether the association bit specified in the address field is 1 or 0.

2. OC address array write (non-associative)

The tag, U bit, and V bit specified in the data field are written to the OC entry corresponding to the entry set in the address field. The A bit in the address field should be cleared to 0.

When a write is performed to a cache line for which the U bit and V bit are both 1, after write-back of that cache line, the tag, U bit, and V bit specified in the data field are written.

3. OC address array write (associative)

When a write is performed with the A bit in the address field set to 1, the tag stored in the entry specified in the address field is compared with the tag specified in the data field. If the MMU is enabled at this time, comparison is performed after the virtual address specified by data field bits [31:10] has been translated to a physical address using the UTLB. If the addresses match and the V bit is 1, the U bit and V bit specified in the data field are written into the OC entry. This operation is used to invalidate a specific OC entry. In other cases, no operation is performed. If the OC entry U bit is 1, and 0 is written to the V bit or to the U bit, write-back is performed. If an UTLB miss occurs during address translation, or the comparison shows a mismatch, an exception is not generated, no operation is performed, and the write is not executed. If a data TLB multiple hit exception occurs during address translation, processing switches to the data TLB multiple hit exception handling routine.

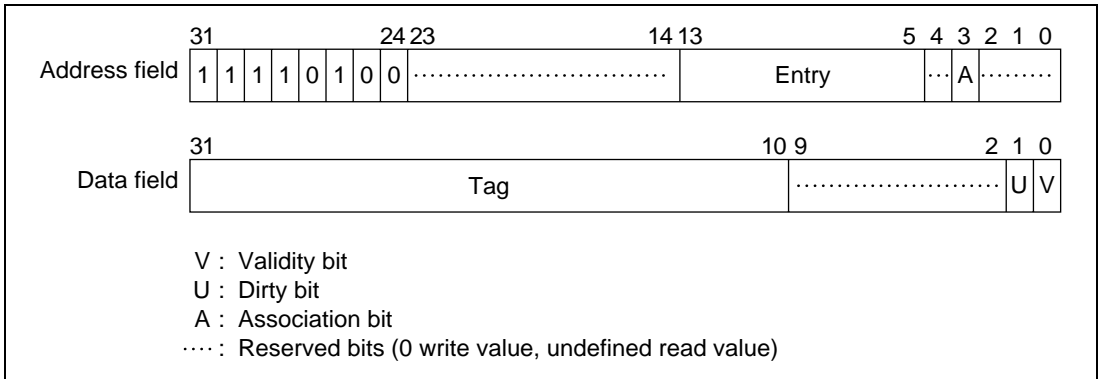


Figure 4.10 Memory-Mapped OC Address Array

4.5.4 OC Data Array

The OC data array is allocated to addresses H'F500 0000 to H'F5FF FFFF in the P4 area. A data array access requires a 32-bit address field specification (when reading or writing) and a 32-bit data field specification. The entry to be accessed is specified in the address field, and the longword data to be written is specified in the data field.

In the address field, bits [31:24] have the value H'F5 indicating the OC data array, and the entry is specified by bits [13:5]. CCR.OIX and CCR.ORA have no effect on this entry specification. Address field bits [4:2] are used for the longword data specification in the entry. As only longword access is used, 0 should be specified for address field bits [1:0].

The data field is used for the longword data specification.

The following two kinds of operation can be used on the OC data array:

1. OC data array read

Longword data is read into the data field from the data specified by the longword specification bits in the address field in the OC entry corresponding to the entry set in the address field.

2. OC data array write

The longword data specified in the data field is written for the data specified by the longword specification bits in the address field in the OC entry corresponding the entry set in the address field. This write does not set the U bit to 1 on the address array side.

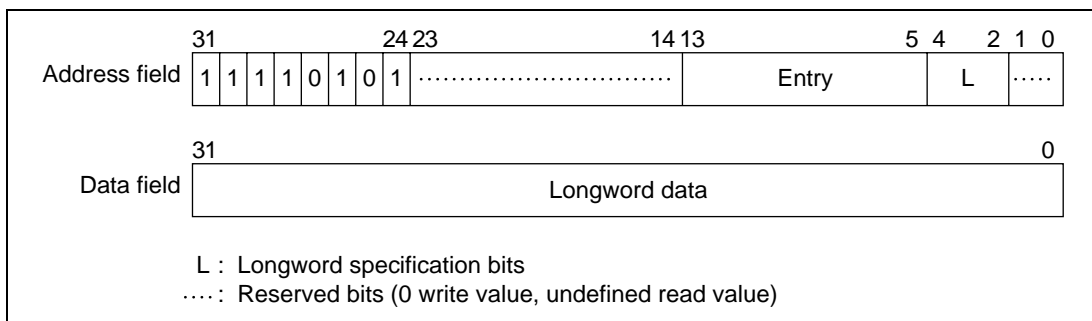


Figure 4.11 Memory-Mapped OC Data Array

4.6 Memory-Mapped Cache Configuration (SH7750R)

To enable the management of the IC and OC by software, a program running in the privileged mode is allowed to access their contents.

The contents of IC can be read and written by using MOV instructions in a P2-area program running in the privileged mode. Operation is not guaranteed for access from a program in some other area. Any branching to other areas must take place at least 8 instructions after this MOV instruction.

The contents of IC can be read and written by using MOV instructions in a P1- or P2-area program running in the privileged mode. Operation is not guaranteed if access is attempted from a program running in some other area. A branch to the P0, U0, or P3 area must be made at least 8 instructions after this MOV instruction.

The IC and OC are allocated to the P4 area of the physical memory space. The address and data arrays of both the IC and OC are only accessible by their data fields. Longword operations must be used. Instruction fetches from these areas are not possible. For reserved bits, a write value of 0 should be specified; values read from such bits are undefined. Note that, in the SH7750/SH7750S-compatible mode, the configuration of the SH7750R's memory-mapped cache is the same as that of the SH7750 or SH7750S.

4.6.1 IC Address Array

The IC address array is allocated to addresses H'F000 0000 to H'FOFF FFFF in the P4 area. An address array access requires a 32-bit address field specification (when reading or writing) and a 32-bit data field specification. The way and entry to be accessed is specified in the address field, and the write tag and V bit are specified in the data field.

In the address field, bits [31:24] have the value H'F0 indicating the IC address array, the way is specified by bit [13], and the entry by bits [12:5]. CCR.IIX has no effect on this entry specification. The address array bit [3] association bit (A bit) specifies whether or not association is performed when writing to the IC address array. As only longword access is used, 0 should be specified for address field bits [1:0].

In the data field, the tag is indicated by bits [31:10], and the V bit by bit [0]. As the IC address array tag is 19 bits in length, data field bits [31:29] are not used in the case of a write in which association is not performed. Data field bits [31:29] are used for the virtual address specification only in the case of a write in which association is performed.

The following three kinds of operation can be used on the IC address array:

1. IC address array read

The tag and V bit are read into the data field from the IC entry corresponding to the way and the entry set in the address field. In a read, associative operation is not performed regardless of whether the association bit specified in the address field is 1 or 0.

2. IC address array write (non-associative)

The tag and V bit specified in the data field are written to the IC entry corresponding to the way and the entry set in the address field. The A bit in the address field should be cleared to 0.

3. IC address array write (associative)

When a write is performed with the A bit in the address field set to 1, the tag for each of the ways stored in the entry specified in the address field is compared with the tag specified in the data field. The way number set by bit [13] is not used. If the MMU is enabled at this time, comparison is performed after the virtual address specified by data field bits [31:10] has been translated to a physical address using the ITLB. If the addresses match and the V bit for that way is 1, the V bit specified in the data field is written into the IC entry. In other cases, no operation is performed. This operation is used to invalidate a specific IC entry. If an ITLB miss occurs during address translation, or the comparison shows a mismatch, an interrupt is not generated, no operation is performed, and the write is not executed. If an instruction TLB multiple hit exception occurs during address translation, processing switches to the instruction TLB multiple hit exception handling routine.

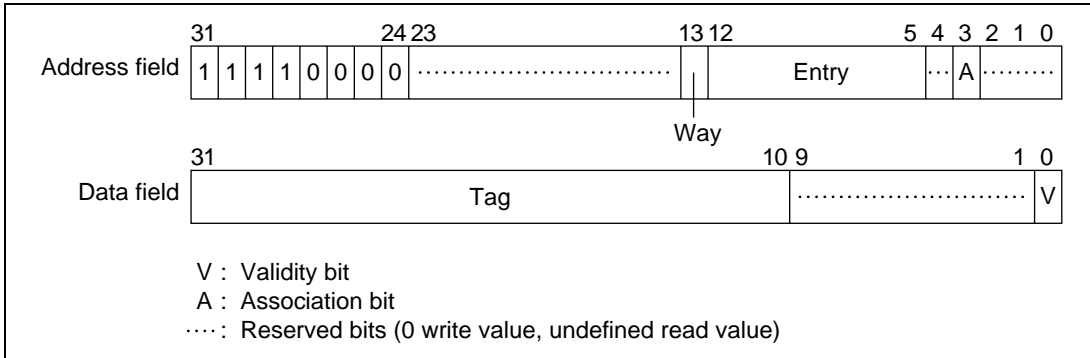


Figure 4.12 Memory-Mapped IC Address Array

4.6.2 IC Data Array

The IC data array is allocated to addresses H'F100 0000 to H'F1FF FFFF in the P4 area. A data array access requires a 32-bit address field specification (when reading or writing) and a 32-bit data field specification. The way and entry to be accessed is specified in the address field, and the longword data to be written is specified in the data field.

In the address field, bits [31:24] have the value H'F1 indicating the IC data array, the way is specified by bit [13], and the entry by bits [12:5]. CCR.IIX has no effect on this entry specification. Address field bits [4:2] are used for the longword data specification in the entry. As only longword access is used, 0 should be specified for address field bits [1:0].

The data field is used for the longword data specification.

The following two kinds of operation can be used on the IC data array:

1. IC data array read

Longword data is read into the data field from the data specified by the longword specification bits in the address field in the IC entry corresponding to the way and entry set in the address field.

2. IC data array write

The longword data specified in the data field is written for the data specified by the longword specification bits in the address field in the IC entry corresponding to the way and entry set in the address field.

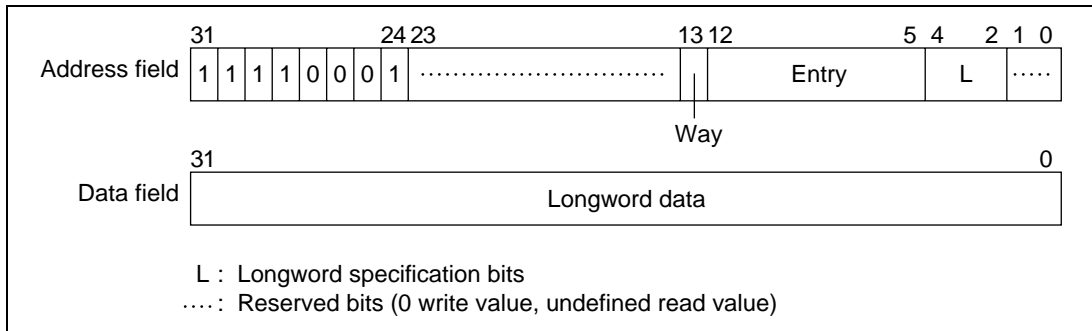


Figure 4.13 Memory-Mapped IC Data Array

4.6.3 OC Address Array

The OC address array is allocated to addresses H'F400 0000 to H'F4FF FFFF in the P4 area. An address array access requires a 32-bit address field specification (when reading or writing) and a 32-bit data field specification. The way and entry to be accessed is specified in the address field, and the write tag, U bit, and V bit are specified in the data field.

In the address field, bits [31:24] have the value H'F4 indicating the OC address array, the way is specified by bit [14], and the entry by bits [13:5]. CCR.OIX has no effect on this entry specification. In RAM mode (CCR.ORA = 1), the OC's address arrays are only accessible in the memory-mapped cache area, and bit [13] is used to specify the way. For details about address mapping, see section 4.6.5. The address array bit [3] association bit (A bit) specifies whether or not association is performed when writing to the OC address array. As only longword access is used, 0 should be specified for address field bits [1:0].

In the data field, the tag is indicated by bits [31:10], the U bit by bit [1], and the V bit by bit [0]. As the OC address array tag is 19 bits in length, data field bits [31:29] are not used in the case of a write in which association is not performed. Data field bits [31:29] are used for the virtual address specification only in the case of a write in which association is performed.

The following three kinds of operation can be used on the OC address array:

1. OC address array read

The tag, U bit, and V bit are read into the data field from the OC entry corresponding to the way and the entry set in the address field. In a read, associative operation is not performed regardless of whether the association bit specified in the address field is 1 or 0.

2. OC address array write (non-associative)

The tag, U bit, and V bit specified in the data field are written to the OC entry corresponding to the way and the entry set in the address field. The A bit in the address field should be cleared to 0.

When a write is performed to a cache line for which the U bit and V bit are both 1, after write-back of that cache line, the tag, U bit, and V bit specified in the data field are written.

3. OC address array write (associative)

When a write is performed with the A bit in the address field set to 1, the tag for each of the ways stored in the entry specified in the address field is compared with the tag specified in the data field. The way number set by bit [14] is not used. If the MMU is enabled at this time, comparison is performed after the virtual address specified by data field bits [31:10] has been translated to a physical address using the UTLB. If the addresses match and the V bit for that way is 1, the U bit and V bit specified in the data field are written into the OC entry. This operation is used to invalidate a specific OC entry. In other cases, no operation is performed. If the OC entry U bit is 1, and 0 is written to the V bit or to the U bit, write-back is performed. If an UTLB miss occurs during address translation, or the comparison shows a mismatch, an exception is not generated, no operation is performed, and the write is not executed. If a data TLB multiple hit exception occurs during address translation, processing switches to the data TLB multiple hit exception handling routine.

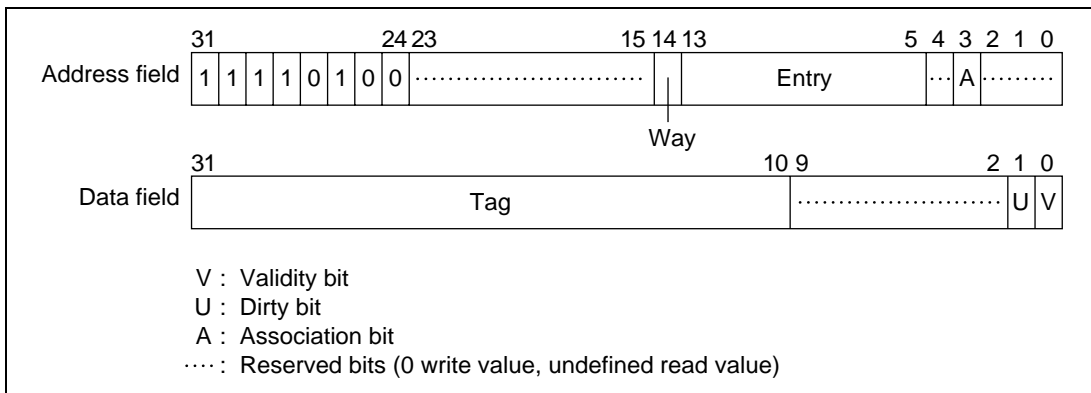


Figure 4.14 Memory-Mapped OC Address Array

4.6.4 OC Data Array

The OC data array is allocated to addresses H'F500 0000 to H'F5FF FFFF in the P4 area. A data array access requires a 32-bit address field specification (when reading or writing) and a 32-bit data field specification. The way and entry to be accessed is specified in the address field, and the longword data to be written is specified in the data field.

In the address field, bits [31:24] have the value H'F5 indicating the OC data array, the way is specified by bit [14], and the entry by bits [13:5]. CCR.OIX has no effect on this entry specification. In RAM mode (CCR.ORA = 1), the OC's data arrays are only accessible in the memory-mapped cache area, and bit [13] is used to specify the way. For details about address mapping, see section 4.6.5. Address field bits [4:2] are used for the longword data specification in the entry. As only longword access is used, 0 should be specified for address field bits [1:0].

The data field is used for the longword data specification.

The following two kinds of operation can be used on the OC data array:

1. OC data array read

Longword data is read into the data field from the data specified by the longword specification bits in the address field in the OC entry corresponding to the way and entry set in the address field.

2. OC data array write

The longword data specified in the data field is written for the data specified by the longword specification bits in the address field in the OC entry corresponding the way and entry set in the address field. This write does not set the U bit to 1 on the address array side.

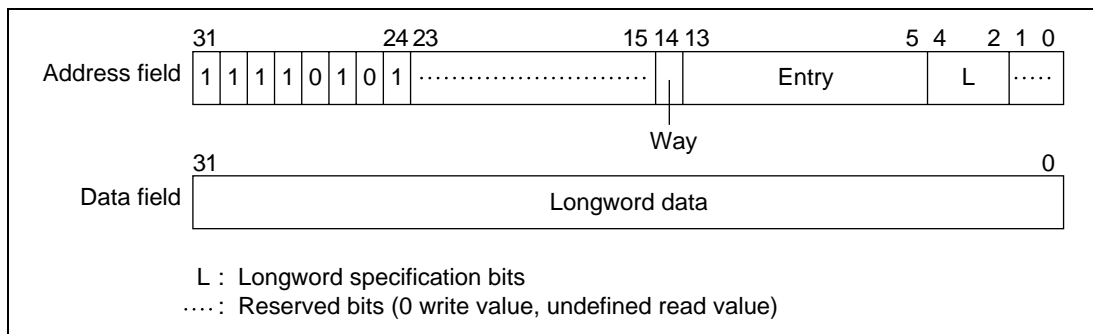


Figure 4.15 Memory-Mapped OC Data Array

4.6.5 Summary of the Memory-Mapping of the OC

The address ranges to which the OC is memory-mapped in the double-sized cache mode of the SH7750R are summarized below, using examples of data-array access.

- In normal mode (CCR.ORA = 0)
 - H'F500 0000 to H'F500 3FFF (16 kB) : Way 0 (entries 0 to 511)
 - H'F500 4000 to H'F500 7FFF (16 kB) : Way 1 (entries 0 to 511)
 - : : :

In the same pattern, shadows of the cache area are created in 32-kbyte blocks until H'F5FF FFFF.

- In RAM mode (CCR.ORA = 1)
 - H'F500 0000 to H'F500 1FFF (8 kB) : Way 0 (entries 0 to 255)
 - H'F500 2000 to H'F500 3FFF (8 kB) : Way 1 (entries 0 to 255)
 - : : :

In the same pattern, shadows of the cache area are created in 16-kbyte blocks until H'F5FF FFFF.

4.7 Store Queues

The SH7750 Series supports two 32-byte store queues (SQs) to perform high-speed writes to external memory.

In the SH7750S or SH7750R, if the SQs are not used the low power dissipation power-down modes, in which SQ functions are stopped, can be used. The queue address control registers (QACR0 and QACR1) cannot be accessed while SQ functions are stopped. See section 9, Power-Down Modes, for the procedure for stopping SQ functions.

4.7.1 SQ Configuration

There are two 32-byte store queues, SQ0 and SQ1, as shown in figure 4.16. These two store queues can be set independently.

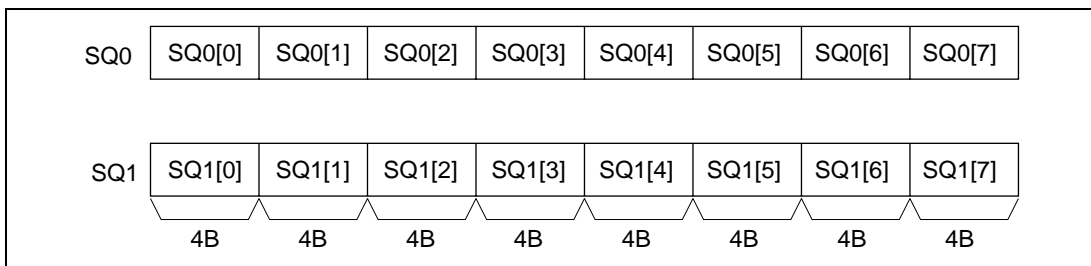


Figure 4.16 Store Queue Configuration

4.7.2 SQ Writes

A write to the SQs can be performed using a store instruction (MOV) on P4 area H'E000 0000 to H'E3FF FFFC. A longword or quadword access size can be used. The meaning of the address bits is as follows:

[31:26]:	111000	Store queue specification
[25:6]:	Don't care	Used for external memory transfer/access right
[5]:	0/1	0: SQ0 specification 1: SQ1 specification
[4:2]:	LW specification	Specifies longword position in SQ0/SQ1
[1:0]	00	Fixed at 0

4.7.3 Transfer to External Memory

Transfer from the SQs to external memory can be performed with a prefetch instruction (PREF). Issuing a PREF instruction for P4 area H'E000 0000 to H'E3FF FFFC starts a burst transfer from the SQs to external memory. The burst transfer length is fixed at 32 bytes, and the start address is always at a 32-byte boundary. While the contents of one SQ are being transferred to external

memory, the other SQ can be written to without a penalty cycle, but writing to the SQ involved in the transfer to external memory is deferred until the transfer is completed.

The SQ transfer destination external memory address bit [28:0] specification is as shown below, according to whether the MMU is on or off.

- When MMU is on

The SQ area (H'E000 0000 to H'E3FF FFFF) is set in VPN of the UTLB, and the transfer destination external memory address in PPN. The ASID, V, SZ, SH, PR, and D bits have the same meaning as for normal address translation, but the C and WT bits have no meaning with regard to this page. Since burst transfer is prohibited for PCMCIA areas, the SA and TC bits also have no meaning.

When a prefetch instruction is issued for the SQ area, address translation is performed and external memory address bits [28:10] are generated in accordance with the SZ bit specification. For external memory address bits [9:5], the address prior to address translation is generated in the same way as when the MMU is off. External memory address bits [4:0] are fixed at 0. Transfer from the SQs to external memory is performed to this address.

- When MMU is off

The SQ area (H'E000 0000 to H'E3FF FFFF) is specified as the address to issue a PREF instruction. The meaning of address bits [31:0] is as follows:

[31:26]:	111000	Store queue specification
[25:6]:	Address	External memory address bits [25:6]
[5]:	0/1	0: SQ0 specification 1: SQ1 specification and external memory address bit [5]
[4:2]:	Don't care	No meaning in a prefetch
[1:0]	00	Fixed at 0

External memory address bits [28:26], which cannot be generated from the above address, are generated from the QACR0/1 registers.

QACR0 [4:2]: External memory address bits [28:26] corresponding to SQ0

QACR1 [4:2]: External memory address bits [28:26] corresponding to SQ1

External memory address bits [4:0] are always fixed at 0 since burst transfer starts at a 32-byte boundary. In the SH7750, data transfer to a PCMCIA interface area cannot be performed using an SQ. In the SH7750S or SH7750R, data transfer to a PCMCIA interface area is always performed using the SA and TC bits in the PTEA register.

4.7.4 SQ Protection

Determination of an exception in a write to an SQ or transfer to external memory (PREF instruction) is performed as follows according to whether the MMU is on or off. In the SH7750 or SH7750S, if an exception occurs in an SQ write, the SQ contents may be corrupted. In the SH7750R, original SQ contents are guaranteed. If an exception occurs in transfer from an SQ to external memory, the transfer to external memory will be aborted.

- When MMU is on

Operation is in accordance with the address translation information recorded in the UTLB, and MMUCR.SQMD. Write type exception judgment is performed for writes to the SQs, and read type for transfer from the SQs to external memory (PREF instruction), and a TLB miss exception, protection violation exception, or initial page write exception is generated.

However, if SQ access is enabled, in privileged mode only, by MMUCR.SQMD, an address error will be flagged in user mode even if address translation is successful.

- When MMU is off

Operation is in accordance with MMUCR.SQMD.

0: Privileged/user access possible

1: Privileged access possible

If the SQ area is accessed in user mode when MMUCR.SQMD is set to 1, an address error will be flagged.

4.7.5 Reading the SQs (SH7750R Only)

In the SH7750R, a load instruction may be executed in the privileged mode to read the contents of the SQs from the address range of H'FF001000 to H'FF00103C in the P4 area. Only longword access is possible.

[31:6]	: H'FF001000	: Store queue specification
[5]	: 0/1	: 0: SQ0 specification, 1: SQ1 specification
[4:2]	: LW specification	: Specification of longword position in SQ0 or SQ1
[1:0]	: 00	: Fixed at 0

4.7.6 SQ Usage Notes

If an exception occurs within the three instructions preceding an instruction that writes to an SQ in the SH7750 and SH7750S, a branch may be made to the exception handling routine after execution of the SQ write that should be suppressed when an exception occurs.

This may be due to the bug described in (1) or (2) below.

(1) When SQ data is transferred to external memory within a normal program

If a PREF instruction for transfer from an SQ to external memory is included in the three instructions preceding an SQ store instruction, the SQ is updated because the SQ write that should be suppressed when a branch is made to the exception handling routine is executed, and after returning from the exception handling routine the execution order of the PREF instruction and SQ store instruction is reversed, so that erroneous data may be transferred to external memory.

(2) When SQ data is transferred to external memory in an exception handling routine

If store queue contents are transferred to external memory within an exception handling routine, erroneous data may be transferred to external memory.

Example 1: When an SQ store instruction is executed after a PREF instruction for transfer from that same SQ to external memory

PREF instruction

; PREF instruction for transfer from SQ to external memory

; Address of this instruction is saved to SPC when exception occurs.

; Instruction 1, instruction 2, or instruction 3 may be executed on return from exception handling routine.

Instruction 1 ; May be executed if an SQ store instruction.

Instruction 2 ; May be executed if an SQ store instruction.

Instruction 3 ; May be executed if an SQ store instruction.

Instruction 4 ; Not executed even if an SQ store instruction.

Example 2: When an instruction that generates an exception branches using a branch instruction

Instruction 1 (branch instruction) ; Address of this instruction is saved to SPC when exception occurs.

Instruction 2 ; May be executed if instruction 1 is a delay slot instruction and an instruction to store data to SQ.

Instruction 3

Instruction 4

Instruction 5

Instruction 6

Instruction 7 (branch destination of instruction 1)

; May be executed if an SQ access instruction.

Instruction 8 ; May be executed if an SQ store instruction.

Example 3: When an instruction that generates an exception does not branch using a branch instruction

Instruction 1 (branch instruction) ; Address of this instruction is saved to SPC when exception occurs.

Instruction 2 ; May be executed if an SQ store instruction.

Instruction 3 ; May be executed if an SQ store instruction.

Instruction 4 ; May be executed if an SQ store instruction.

Instruction 5

To recover from this problem it is necessary that conditions A and B be satisfied.

A: After the PREF instruction to transfer data from the store queue (SQ0, SQ1) to external memory, a store instruction for the same store queue must be executed, and conditions (1) and (2) below must be satisfied.

(1) Three NOP instructions*¹ must be inserted between the above two instructions.

(2) There must not be a PREF instruction to transfer data from the store queue to external memory in the delay slot of the branch instruction.

B: There must be no PREF instruction to transfer data from the store queue to external memory executed in the exception handling routine.

If such an instruction is executed, and if there is a store to the store queue instruction among the four instructions*² at the address referred to by SPC, the data transferred to external memory by the PREF instruction may indicate that execution of the store instruction has completed.

Notes: *1 If there are other instructions between the above two instructions, the problem can be avoided if the other instructions and NOP instructions together total three or more instructions.

*2 If the instruction at the address referred to by SPC is a branch instruction the two instructions at the branch destination may be affected.

Section 5 Exceptions

5.1 Overview

5.1.1 Features

Exception handling is processing handled by a special routine, separate from normal program processing, that is executed by the CPU in case of abnormal events. For example, if the executing instruction ends abnormally, appropriate action must be taken in order to return to the original program sequence, or report the abnormality before terminating the processing. The process of generating an exception handling request in response to abnormal termination, and passing control to a user-written exception handling routine, in order to support such functions, is given the generic name of exception handling.

SH7750 Series exception handling is of three kinds: for resets, general exceptions, and interrupts.

5.1.2 Register Configuration

The registers used in exception handling are shown in table 5.1.

Table 5.1 Exception-Related Registers

Name	Abbrevia- tion	R/W	Initial Value* ¹	P4 Address* ²	Area 7 Address* ²	Access Size
TRAPA exception register	TRA	R/W	Undefined	H'FF00 0020	H'1F00 0020	32
Exception event register	EXPEVT	R/W	H'0000 0000/ H'0000 0020* ¹	H'FF00 0024	H'1F00 0024	32
Interrupt event register	INTEVT	R/W	Undefined	H'FF00 0028	H'1F00 0028	32

Notes: *1 H'0000 0000 is set in a power-on reset, and H'0000 0020 in a manual reset.

*2 This is the address when using the virtual/physical address space P4 area. The area 7 address is the address used when making an access from physical address space area 7 using the TLB.

5.2 Register Descriptions

There are three registers related to exception handling. Addresses are allocated to these registers, and they can be accessed by specifying the P4 address or area 7 address.

1. The exception event register (EXPEVT) resides at P4 address H'FF00 0024, and contains a 12-bit exception code. The exception code set in EXPEVT is that for a reset or general exception event. The exception code is set automatically by hardware when an exception occurs. EXPEVT can also be modified by software.
2. The interrupt event register (INTEVT) resides at P4 address H'FF00 0028, and contains a 12-bit exception code. The exception code set in INTEVT is that for an interrupt request. The exception code is set automatically by hardware when an exception occurs. INTEVT can also be modified by software.
3. The TRAPA exception register (TRA) resides at P4 address H'FF00 0020, and contains 8-bit immediate data (imm) for the TRAPA instruction. TRA is set automatically by hardware when a TRAPA instruction is executed. TRA can also be modified by software.

The bit configurations of EXPEVT, INTEVT, and TRA are shown in figure 5.1.

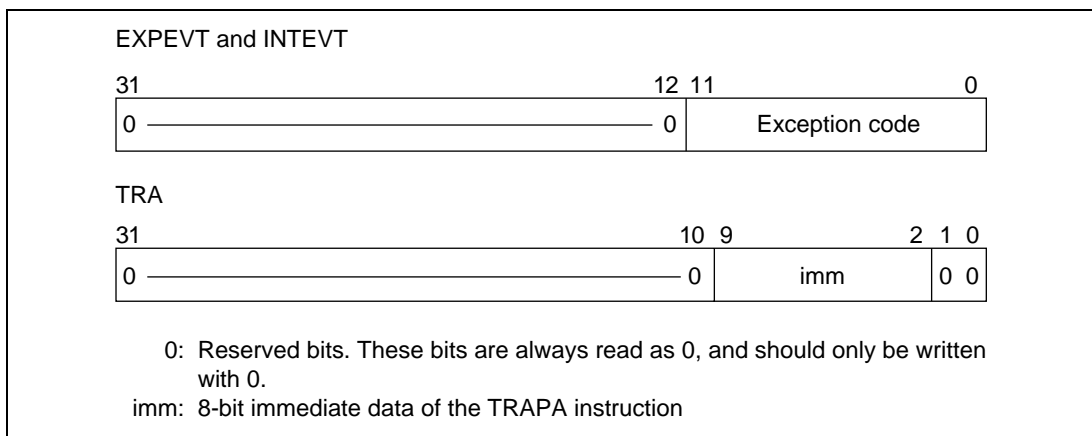


Figure 5.1 Register Bit Configurations

5.3 Exception Handling Functions

5.3.1 Exception Handling Flow

In exception handling, the contents of the program counter (PC), status register (SR), and R15 are saved in the saved program counter (SPC), saved status register (SSR), and saved general register15(SGR), and the CPU starts execution of the appropriate exception handling routine according to the vector address. An exception handling routine is a program written by the user to handle a specific exception. The exception handling routine is terminated and control returned to the original program by executing a return-from-exception instruction (RTE). This instruction restores the PC and SR contents and returns control to the normal processing routine at the point at which the exception occurred.

The SGR contents are not written back to R15 by an RTE instruction.

The basic processing flow is as follows. See section 2, Data Formats and Registers, for the meaning of the individual SR bits.

1. The PC, SR, and R15 contents are saved in SPC, SSR, and SGR.
2. The block bit (BL) in SR is set to 1.
3. The mode bit (MD) in SR is set to 1.
4. The register bank bit (RB) in SR is set to 1.
5. In a reset, the FPU disable bit (FD) in SR is cleared to 0.
6. The exception code is written to bits 11–0 of the exception event register (EXPEVT) or interrupt event register (INTEVT).
7. The CPU branches to the determined exception handling vector address, and the exception handling routine begins.

5.3.2 Exception Handling Vector Addresses

The reset vector address is fixed at H'A000 0000. Exception and interrupt vector addresses are determined by adding the offset for the specific event to the vector base address, which is set by software in the vector base register (VBR). In the case of the TLB miss exception, for example, the offset is H'0000 0400, so if H'9C08 0000 is set in VBR, the exception handling vector address will be H'9C08 0400. If a further exception occurs at the exception handling vector address, a duplicate exception will result, and recovery will be difficult; therefore, fixed physical addresses (P1, P2) should be specified for vector addresses.

5.4 Exception Types and Priorities

Table 5.2 shows the types of exceptions, with their relative priorities, vector addresses, and exception/interrupt codes.

Table 5.2 Exceptions

Exception Category	Execution Mode	Exception	Priority Level	Priority Order	Vector Address	Offset	Exception Code
Reset	Abort type	Power-on reset	1	1	H'A000 0000	—	H'000
		Manual reset	1	2	H'A000 0000	—	H'020
		H-UDI reset	1	1	H'A000 0000	—	H'000
		Instruction TLB multiple-hit exception	1	3	H'A000 0000	—	H'140
		Data TLB multiple-hit exception	1	4	H'A000 0000	—	H'140
General exception	Re-execution type	User break before instruction execution*1	2	0	(VBR/DBR)	H'100/—	H'1E0
		Instruction address error	2	1	(VBR)	H'100	H'0E0
		Instruction TLB miss exception	2	2	(VBR)	H'400	H'040
		Instruction TLB protection violation exception	2	3	(VBR)	H'100	H'0A0
		General illegal instruction exception	2	4	(VBR)	H'100	H'180
		Slot illegal instruction exception	2	4	(VBR)	H'100	H'1A0
		General FPU disable exception	2	4	(VBR)	H'100	H'800
		Slot FPU disable exception	2	4	(VBR)	H'100	H'820
		Data address error (read)	2	5	(VBR)	H'100	H'0E0
		Data address error (write)	2	5	(VBR)	H'100	H'100
		Data TLB miss exception (read)	2	6	(VBR)	H'400	H'040
		Data TLB miss exception (write)	2	6	(VBR)	H'400	H'060
		Data TLB protection violation exception (read)	2	7	(VBR)	H'100	H'0A0
		Data TLB protection violation exception (write)	2	7	(VBR)	H'100	H'0C0
		FPU exception	2	8	(VBR)	H'100	H'120
		Initial page write exception	2	9	(VBR)	H'100	H'080
		Completion type		Unconditional trap (TRAPA)	2	4	(VBR)
User break after instruction execution*1	2			10	(VBR/DBR)	H'100/—	H'1E0

Table 5.2 Exceptions (cont)

Exception Category	Execution Mode	Exception	Priority Level	Priority Order	Vector Address	Offset	Exception Code		
Interrupt	Completion type	Nonmaskable interrupt	3	—	(VBR)	H'600	H'1C0		
		External interrupts	IRL3–IRL0	0	4	*2	(VBR)	H'600	H'200
				1					H'220
				2					H'240
				3					H'260
				4					H'280
				5					H'2A0
				6					H'2C0
				7					H'2E0
				8					H'300
				9					H'320
				A					H'340
				B					H'360
				C					H'380
				D					H'3A0
				E					H'3C0
		Peripheral module interrupt (module/source)	TMU0	TUNI0	4	*2	(VBR)	H'600	H'400
			TMU1	TUNI1					H'420
			TMU2	TUNI2					H'440
				TICPI2					H'460
			TMU3	TUNI3					H'B00
			TMU4	TUNI4					H'B80
			RTC	ATI					H'480
				PRI					H'4A0
				CUI					H'4C0
			SCI	ERI					H'4E0
				RXI					H'500
TXI							H'520		
TEI						H'540			
WDT	ITI					H'560			
REF	RCMI					H'580			
	ROVI					H'5A0			
H-UDI	H-UDI					H'600			
GPIO	GPIOI					H'620			

Table 5.2 Exceptions (cont)

Exception Category	Execution Mode	Exception	Priority Level	Priority Order	Vector Address	Offset	Exception Code	
Interrupt	Completion type	Peripheral module interrupt (module/source)	DMTE0	4	*2	(VBR)	H'600	H'640
			DMTE1					H'660
			DMTE2					H'680
			DMTE3					H'6A0
			DMTE4					H'780
			*3					
			DMTE5					H'7A0
			*3					
			DMTE6					H'7C0
			*3					
			DMTE7					H'7E0
			*3					
			DMAE					H'6C0
SCIF	ERI	H'700						
	RXI	H'720						
	BRI	H'740						
	TXI	H'760						

Priority: Priority is first assigned by priority level, then by priority order within each level (the lowest number represents the highest priority).

Exception transition destination: Control passes to H'A000 0000 in a reset, and to [VBR + offset] in other cases.

Exception code: Stored in EXPEVT for a reset or general exception, and in INTEVT for an interrupt.

IRL: Interrupt request level (pins IRL3–IRL0).

Module/source: See the sections on the relevant peripheral modules.

Notes: *1 When BRCR.UBDE = 1, PC = DBR. In other cases, PC = VBR + H'100.

*2 The priority order of external interrupts and peripheral module interrupts can be set by software.

*3 SH7750R only.

5.5 Exception Flow

5.5.1 Exception Flow

Figure 5.2 shows an outline flowchart of the basic operations in instruction execution and exception handling. For the sake of clarity, the following description assumes that instructions are executed sequentially, one by one. Figure 5.2 shows the relative priority order of the different kinds of exceptions (reset/general exception/interrupt). Register settings in the event of an

exception are shown only for SSR, SPC, SGR, EXPEVT/INTEVT, SR, and PC, but other registers may be set automatically by hardware, depending on the exception. For details, see section 5.6, Description of Exceptions. Also, see section 5.6.4, Priority Order with Multiple Exceptions, for exception handling during execution of a delayed branch instruction and a delay slot instruction, and in the case of instructions in which two data accesses are performed.

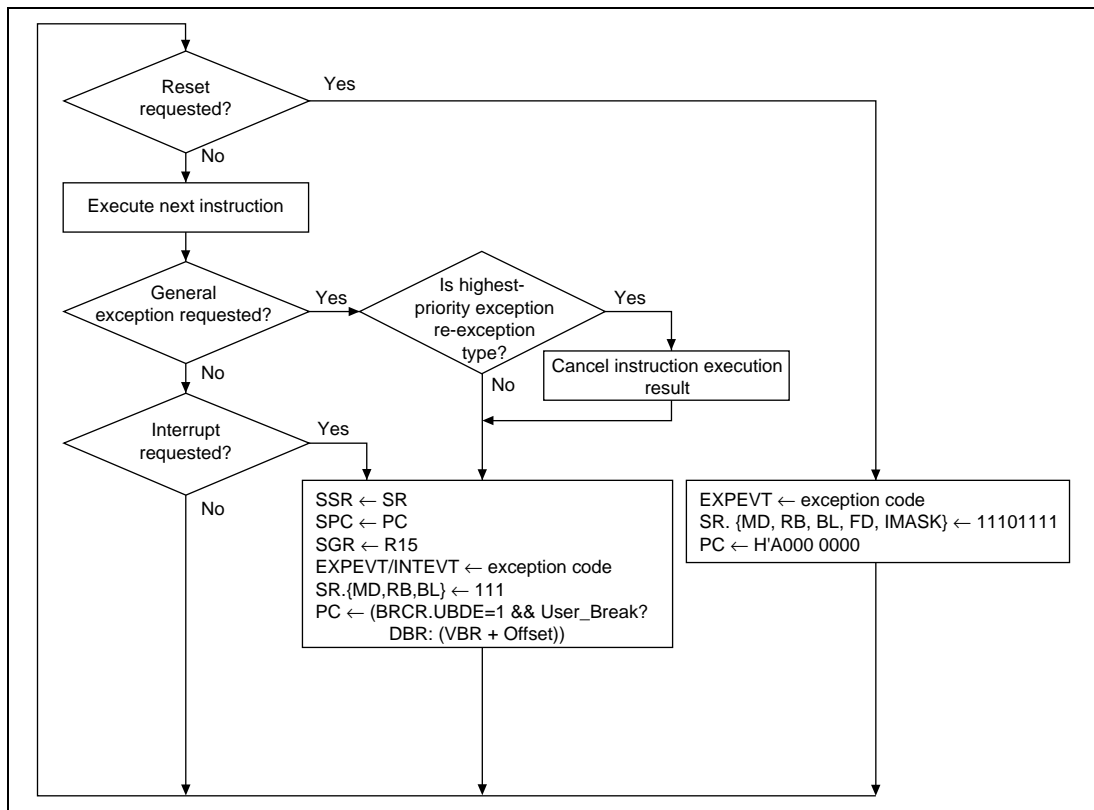


Figure 5.2 Instruction Execution and Exception Handling

5.5.2 Exception Source Acceptance

A priority ranking is provided for all exceptions for use in determining which of two or more simultaneously generated exceptions should be accepted. Five of the general exceptions—the general illegal instruction exception, slot illegal instruction exception, general FPU disable exception, slot FPU disable exception, and unconditional trap exception—are detected in the process of instruction decoding, and do not occur simultaneously in the instruction pipeline. These exceptions therefore all have the same priority. General exceptions are detected in the order of instruction execution. However, exception handling is performed in the order of instruction flow (program order). Thus, an exception for an earlier instruction is accepted before that for a later instruction. An example of the order of acceptance for general exceptions is shown in figure 5.3.

Pipeline flow:

Instruction n
 Instruction n+1
 ↓
 Instruction n+2
 ↓
 Instruction n+3

IF	ID	EX	MA	WB
IF	ID	EX	MA	WB

▽TLB miss (data access)

△ General illegal instruction exception

▽TLB miss (instruction access)

IF	ID	EX	MA	WB
----	----	----	----	----

IF	ID	EX	MA	WB
----	----	----	----	----

IF: Instruction fetch
 ID: Instruction decode
 EX: Instruction execution
 MA: Memory access
 WB: Write-back

Order of detection:

General illegal instruction exception (instruction n+1) and
 TLB miss (instruction n+2) are detected simultaneously

↓
 TLB miss (instruction n)

Order of exception handling:

Program order

TLB miss (instruction n)

↓
 Re-execution of instruction n

↓
 General illegal instruction exception
 (instruction n+1)

↓
 Re-execution of instruction n+1

↓
 TLB miss (instruction n+2)

↓
 Re-execution of instruction n+2

↓
 Execution of instruction n+3

1

2

3

4

Figure 5.3 Example of General Exception Acceptance Order

5.5.3 Exception Requests and BL Bit

When the BL bit in SR is 0, exceptions and interrupts are accepted.

When the BL bit in SR is 1 and an exception other than a user break is generated, the CPU's internal registers and the registers of the other modules are set to their states following a manual reset, and the CPU branches to the same address as in a reset (H'A000 0000). For the operation in the event of a user break, see section 20, User Break Controller. If an ordinary interrupt occurs, the interrupt request is held pending and is accepted after the BL bit has been cleared to 0 by software. If a nonmaskable interrupt (NMI) occurs, it can be held pending or accepted according to the setting made by software.

Thus, normally, SPC and SSR are saved and then the BL bit in SR is cleared to 0, to enable multiple exception state acceptance.

5.5.4 Return from Exception Handling

The RTE instruction is used to return from exception handling. When the RTE instruction is executed, the SPC contents are restored to PC and the SSR contents to SR, and the CPU returns from the exception handling routine by branching to the SPC address. If SPC and SSR were saved to external memory, set the BL bit in SR to 1 before restoring the SPC and SSR contents and issuing the RTE instruction.

5.6 Description of Exceptions

The various exception handling operations are described here, covering exception sources, transition addresses, and processor operation when a transition is made.

5.6.1 Resets

(1) Power-On Reset

- Sources:
 - SCK2 pin high level and $\overline{\text{RESET}}$ pin low level
 - When the watchdog timer overflows while the $\text{WT}/\overline{\text{IT}}$ bit is set to 1 and the RSTS bit is cleared to 0 in WTCSR. For details, see section 10, Clock Oscillation Circuits.

- Transition address: H'A000 0000

- Transition operations:

Exception code H'000 is set in EXPEVT, initialization of VBR and SR is performed, and a branch is made to PC = H'A000 0000.

In the initialization processing, the VBR register is set to H'0000 0000, and in SR, the MD, RB, and BL bits are set to 1, the FD bit is cleared to 0, and the interrupt mask bits (I3–I0) are set to B'1111.

CPU and on-chip peripheral module initialization is performed. For details, see the register descriptions in the relevant sections. For some CPU functions, the $\overline{\text{TRST}}$ pin and $\overline{\text{RESET}}$ pin must be driven low. It is therefore essential to execute a power-on reset and drive the $\overline{\text{TRST}}$ pin low when powering on.

If the SCK2 pin is changed to the low level while the $\overline{\text{RESET}}$ pin is low, a manual reset may occur after the power-on reset operation. Do not drive the SCK2 pin low during this interval (see figure 22.3).

```
Power_on_reset()  
{  
    EXPEVT = H'00000000;  
    VBR = H'00000000;  
    SR.MD = 1;  
    SR.RB = 1;  
    SR.BL = 1;  
    SR.(I0-I3) = B'1111;  
    SR.FD=0;  
    Initialize_CPU();  
    Initialize_Module(PowerOn);  
    PC = H'A0000000;  
}
```

(2) Manual Reset

- Sources:
 - SCK2 pin low level and $\overline{\text{RESET}}$ pin low level
 - When a general exception other than a user break occurs while the BL bit is set to 1 in SR
 - When the watchdog timer overflows while the $\overline{\text{WT/IT}}$ bit and RSTS bit are both set to 1 in WTCSR. For details, see section 10, Clock Oscillation Circuits.
- Transition address: H'A000 0000
- Transition operations:

Exception code H'020 is set in EXPEVT, initialization of VBR and SR is performed, and a branch is made to PC = H'A000 0000.

In the initialization processing, the VBR register is set to H'0000 0000, and in SR, the MD, RB, and BL bits are set to 1, the FD bit is cleared to 0, and the interrupt mask bits (I3–I0) are set to B'1111.

CPU and on-chip peripheral module initialization is performed. For details, see the register descriptions in the relevant sections.

```
Manual_reset()  
{  
    EXPEVT = H'00000020;  
    VBR = H'00000000;  
    SR.MD = 1;  
    SR.RB = 1;  
    SR.BL = 1;  
    SR.(I0-I3) = B'1111;  
    SR.FD = 0;  
    Initialize_CPU();  
    Initialize_Module(Manual);  
    PC = H'A0000000;  
}
```

Table 5.3 Types of Reset

Type	Reset State Transition Conditions		Internal States	
	SCK2	$\overline{\text{RESET}}$	CPU	On-Chip Peripheral Modules
Power-on reset	High	Low	Initialized	See Register Configuration in each section
Manual reset	Low	Low	Initialized	

(3) H-UDI Reset

- Source: SDIR.TI3–TI0 = B'0110 (negation) or B'0111 (assertion)
- Transition address: H'A000 0000
- Transition operations:

Exception code H'000 is set in EXPEVT, initialization of VBR and SR is performed, and a branch is made to PC = H'A000 0000.

In the initialization processing, the VBR register is set to H'0000 0000, and in SR, the MD, RB, and BL bits are set to 1, the FD bit is cleared to 0, and the interrupt mask bits (I3–I0) are set to B'1111.

CPU and on-chip peripheral module initialization is performed. For details, see the register descriptions in the relevant sections.

```
H-UDI_reset()  
{  
    EXPEVT = H'00000000;  
    VBR = H'00000000;  
    SR.MD = 1;  
    SR.RB = 1;  
    SR.BL = 1;  
    SR.(I0-I3) = B'1111;  
    SR.FD = 0;  
    Initialize_CPU();  
    Initialize_Module(PowerOn);  
    PC = H'A0000000;  
}
```

(4) Instruction TLB Multiple-Hit Exception

- Source: Multiple ITLB address matches
- Transition address: H'A000 0000
- Transition operations:

The virtual address (32 bits) at which this exception occurred is set in TEA, and the corresponding virtual page number (22 bits) is set in PTEH [31:10]. ASID in PTEH indicates the ASID when this exception occurred.

Exception code H'140 is set in EXPEVT, initialization of VBR and SR is performed, and a branch is made to PC = H'A000 0000.

In the initialization processing, the VBR register is set to H'0000 0000, and in SR, the MD, RB, and BL bits are set to 1, the FD bit is cleared to 0, and the interrupt mask bits (I3–I0) are set to B'1111.

CPU and on-chip peripheral module initialization is performed in the same way as in a manual reset. For details, see the register descriptions in the relevant sections.

```
TLB_multi_hit()  
{  
    TEA = EXCEPTION_ADDRESS;  
    PTEH.VPN = PAGE_NUMBER;  
    EXPEVT = H'00000140;  
    VBR = H'00000000;  
    SR.MD = 1;  
    SR.RB = 1;  
    SR.BL = 1;  
    SR.(I0-I3) = B'1111;  
    SR.FD = 0;  
    Initialize_CPU();  
    Initialize_Module(Manual);  
    PC = H'A0000000;  
}
```

(5) Operand TLB Multiple-Hit Exception

- Source: Multiple UTLB address matches
- Transition address: H'A000 0000
- Transition operations:

The virtual address (32 bits) at which this exception occurred is set in TEA, and the corresponding virtual page number (22 bits) is set in PTEH [31:10]. ASID in PTEH indicates the ASID when this exception occurred.

Exception code H'140 is set in EXPEVT, initialization of VBR and SR is performed, and a branch is made to PC = H'A000 0000.

In the initialization processing, the VBR register is set to H'0000 0000, and in SR, the MD, RB, and BL bits are set to 1, the FD bit is cleared to 0, and the interrupt mask bits (I3–I0) are set to B'1111.

CPU and on-chip peripheral module initialization is performed in the same way as in a manual reset. For details, see the register descriptions in the relevant sections.

```
TLB_multi_hit()  
{  
    TEA = EXCEPTION_ADDRESS;  
    PTEH.VPN = PAGE_NUMBER;  
    EXPEVT = H'00000140;  
    VBR = H'00000000;  
    SR.MD = 1;  
    SR.RB = 1;  
    SR.BL = 1;  
    SR.(I0-I3) = B'1111;  
    SR.FD = 0;  
    Initialize_CPU();  
    Initialize_Module(Manual);  
    PC = H'A0000000;  
}
```


5.6.2 General Exceptions

(1) Data TLB Miss Exception

- Source: Address mismatch in UTLB address comparison
- Transition address: VBR + H'0000 0400
- Transition operations:

The virtual address (32 bits) at which this exception occurred is set in TEA, and the corresponding virtual page number (22 bits) is set in PTEH [31:10]. ASID in PTEH indicates the ASID when this exception occurred.

The PC and SR contents for the instruction at which this exception occurred are saved in SPC and SSR, and the contents of R15 are saved in SGR.

Exception code H'040 (for a read access) or H'060 (for a write access) is set in EXPEVT. The BL, MD, and RB bits are set to 1 in SR, and a branch is made to PC = VBR + H'0400.

To speed up TLB miss processing, the offset is separate from that of other exceptions.

```
Data_TLB_miss_exception()  
{  
    TEA = EXCEPTION_ADDRESS;  
    PTEH.VPN = PAGE_NUMBER;  
    SPC = PC;  
    SSR = SR;  
    SGR = R15;  
    EXPEVT = read_access ? H'00000040 : H'00000060;  
    SR.MD = 1;  
    SR.RB = 1;  
    SR.BL = 1;  
    PC = VBR + H'00000400;  
}
```

(2) Instruction TLB Miss Exception

- Source: Address mismatch in ITLB address comparison
- Transition address: VBR + H'0000 0400
- Transition operations:

The virtual address (32 bits) at which this exception occurred is set in TEA, and the corresponding virtual page number (22 bits) is set in PTEH [31:10]. ASID in PTEH indicates the ASID when this exception occurred.

The PC and SR contents for the instruction at which this exception occurred are saved in SPC and SSR, and the contents of R15 are saved in SGR.

Exception code H'040 is set in EXPEVT. The BL, MD, and RB bits are set to 1 in SR, and a branch is made to PC = VBR + H'0400.

To speed up TLB miss processing, the offset is separate from that of other exceptions.

```
ITLB_miss_exception()  
{  
    TEA = EXCEPTION_ADDRESS;  
    PTEH.VPN = PAGE_NUMBER;  
    SPC = PC;  
    SSR = SR;  
    SGR = R15;  
    EXPEVT = H'00000040;  
    SR.MD = 1;  
    SR.RB = 1;  
    SR.BL = 1;  
    PC = VBR + H'00000400;  
}
```

(3) Initial Page Write Exception

- Source: TLB is hit in a store access, but dirty bit D = 0
- Transition address: VBR + H'0000 0100
- Transition operations:

The virtual address (32 bits) at which this exception occurred is set in TEA, and the corresponding virtual page number (22 bits) is set in PTEH [31:10]. ASID in PTEH indicates the ASID when this exception occurred.

The PC and SR contents for the instruction at which this exception occurred are saved in SPC and SSR, and the contents of R15 are saved in SGR.

Exception code H'080 is set in EXPEVT. The BL, MD, and RB bits are set to 1 in SR, and a branch is made to PC = VBR + H'0100.

```
Initial_write_exception()  
{  
    TEA = EXCEPTION_ADDRESS;  
    PTEH.VPN = PAGE_NUMBER;  
    SPC = PC;  
    SSR = SR;  
    SGR = R15;  
    EXPEVT = H'00000080;  
    SR.MD = 1;  
    SR.RB = 1;  
    SR.BL = 1;  
    PC = VBR + H'00000100;  
}
```

(4) Data TLB Protection Violation Exception

- Source: The access does not accord with the UTLB protection information (PR bits) shown below.

PR	Privileged Mode	User Mode
00	Only read access possible	Access not possible
01	Read/write access possible	Access not possible
10	Only read access possible	Only read access possible
11	Read/write access possible	Read/write access possible

- Transition address: VBR + H'0000 0100

- Transition operations:

The virtual address (32 bits) at which this exception occurred is set in TEA, and the corresponding virtual page number (22 bits) is set in PTEH [31:10]. ASID in PTEH indicates the ASID when this exception occurred.

The PC and SR contents for the instruction at which this exception occurred are saved in SPC and SSR, and the contents of R15 are saved in SGR.

Exception code H'0A0 (for a read access) or H'0C0 (for a write access) is set in EXPEVT. The BL, MD, and RB bits are set to 1 in SR, and a branch is made to PC = VBR + H'0100.

```
Data_TLB_protection_violation_exception()  
{  
    TEA = EXCEPTION_ADDRESS;  
    PTEH.VPN = PAGE_NUMBER;  
    SPC = PC;  
    SSR = SR;  
    SGR = R15;  
    EXPEVT = read_access ? H'000000A0 : H'000000C0;  
    SR.MD = 1;  
    SR.RB = 1;  
    SR.BL = 1;  
    PC = VBR + H'00000100;  
}
```

(5) Instruction TLB Protection Violation Exception

- Source: The access does not accord with the ITLB protection information (PR bits) shown below.

PR	Privileged Mode	User Mode
0	Access possible	Access not possible
1	Access possible	Access possible

- Transition address: VBR + H'0000 0100

- Transition operations:

The virtual address (32 bits) at which this exception occurred is set in TEA, and the corresponding virtual page number (22 bits) is set in PTEH [31:10]. ASID in PTEH indicates the ASID when this exception occurred.

The PC and SR contents for the instruction at which this exception occurred are saved in SPC and SSR, and the contents of R15 are saved in SGR.

Exception code H'0A0 is set in EXPEVT. The BL, MD, and RB bits are set to 1 in SR, and a branch is made to PC = VBR + H'0100.

```
ITLB_protection_violation_exception()
```

```
{  
    TEA = EXCEPTION_ADDRESS;  
    PTEH.VPN = PAGE_NUMBER;  
    SPC = PC;  
    SSR = SR;  
    SGR = R15;  
    EXPEVT = H'000000A0;  
    SR.MD = 1;  
    SR.RB = 1;  
    SR.BL = 1;  
    PC = VBR + H'00000100;  
}
```

(6) Data Address Error

- Sources:
 - Word data access from other than a word boundary ($2n + 1$)
 - Longword data access from other than a longword data boundary ($4n + 1$, $4n + 2$, or $4n + 3$)
 - Quadword data access from other than a quadword data boundary ($8n + 1$, $8n + 2$, $8n + 3$, $8n + 4$, $8n + 5$, $8n + 6$, or $8n + 7$)
 - Access to area H'8000 0000–H'FFFF FFFF in user mode

- Transition address: $VBR + H'0000\ 0100$

- Transition operations:

The virtual address (32 bits) at which this exception occurred is set in TEA, and the corresponding virtual page number (22 bits) is set in PTEH [31:10]. ASID in PTEH indicates the ASID when this exception occurred.

The PC and SR contents for the instruction at which this exception occurred are saved in SPC and SSR, and the contents of R15 are saved in SGR.

Exception code H'0E0 (for a read access) or H'100 (for a write access) is set in EXPEVT. The BL, MD, and RB bits are set to 1 in SR, and a branch is made to $PC = VBR + H'0100$. For details, see section 3, Memory Management Unit (MMU).

```
Data_address_error()  
{  
    TEA = EXCEPTION_ADDRESS;  
    PTEN.VPN = PAGE_NUMBER;  
    SPC = PC;  
    SSR = SR;  
    SGR = R15;  
    EXPEVT = read_access? H'000000E0: H'00000100;  
    SR.MD = 1;  
    SR.RB = 1;  
    SR.BL = 1;  
    PC = VBR + H'00000100;  
}
```

(7) Instruction Address Error

- Sources:
 - Instruction fetch from other than a word boundary (2n +1)
 - Instruction fetch from area H'8000 0000–H'FFFF FFFF in user mode
- Transition address: VBR + H'0000 0100
- Transition operations:

The virtual address (32 bits) at which this exception occurred is set in TEA, and the corresponding virtual page number (22 bits) is set in PTEH [31:10]. ASID in PTEH indicates the ASID when this exception occurred.

The PC and SR contents for the instruction at which this exception occurred are saved in SPC and SSR, and the contents of R15 are saved in SGR.

Exception code H'0E0 is set in EXPEVT. The BL, MD, and RB bits are set to 1 in SR, and a branch is made to PC = VBR + H'0100. For details, see section 3, Memory Management Unit (MMU).

```
Instruction_address_error()  
{  
    TEA = EXCEPTION_ADDRESS;  
    PTEN.VPN = PAGE_NUMBER;  
    SPC = PC;  
    SSR = SR;  
    SGR = R15;  
    EXPEVT = H'000000E0;  
    SR.MD = 1;  
    SR.RB = 1;  
    SR.BL = 1;  
    PC = VBR + H'00000100;  
}
```

(8) Unconditional Trap

- Source: Execution of TRAPA instruction
- Transition address: VBR + H'0000 0100
- Transition operations:

As this is a processing-completion-type exception, the PC contents for the instruction following the TRAPA instruction are saved in SPC. The values of SR and R15 when the TRAPA instruction is executed are saved in SSR and SGR. The 8-bit immediate value in the TRAPA instruction is multiplied by 4, and the result is set in TRA [9:0]. Exception code H'160 is set in EXPEVT. The BL, MD, and RB bits are set to 1 in SR, and a branch is made to PC = VBR + H'0100.

```
TRAPA_exception()  
{  
    SPC = PC + 2;  
    SSR = SR;  
    SGR = R15;  
    TRA = imm << 2;  
    EXPEVT = H'00000160;  
    SR.MD = 1;  
    SR.RB = 1;  
    SR.BL = 1;  
    PC = VBR + H'00000100;  
}
```


(9) General Illegal Instruction Exception

- Sources:
 - Decoding of an undefined instruction not in a delay slot
Delayed branch instructions: JMP, JSR, BRA, BRAF, BSR, BSRF, RTS, RTE, BT/S, BF/S
Undefined instruction: H'FFFD
 - Decoding in user mode of a privileged instruction not in a delay slot
Privileged instructions: LDC, STC, RTE, LDTLB, SLEEP, but excluding LDC/STC instructions that access GBR
- Transition address: VBR + H'0000 0100
- Transition operations:

The PC and SR contents for the instruction at which this exception occurred are saved in SPC and SSR, and the contents of R15 are saved in SGR.

Exception code H'180 is set in EXPEVT. The BL, MD, and RB bits are set to 1 in SR, and a branch is made to PC = VBR + H'0100. Operation is not guaranteed if an undefined code other than H'FFFD is decoded.

```
General_illegal_instruction_exception()  
{  
    SPC = PC;  
    SSR = SR;  
    SGR = R15;  
    EXPEVT = H'00000180;  
    SR.MD = 1;  
    SR.RB = 1;  
    SR.BL = 1;  
    PC = VBR + H'00000100;  
}
```

(10) Slot Illegal Instruction Exception

- Sources:
 - Decoding of an undefined instruction in a delay slot
Delayed branch instructions: JMP, JSR, BRA, BRAF, BSR, BSRF, RTS, RTE, BT/S, BF/S
Undefined instruction: H'FFFD
 - Decoding of an instruction that modifies PC in a delay slot
Instructions that modify PC: JMP, JSR, BRA, BRAF, BSR, BSRF, RTS, RTE, BT, BF, BT/S, BF/S, TRAPA, LDC Rm, SR, LDC.L @Rm+, SR
 - Decoding in user mode of a privileged instruction in a delay slot
Privileged instructions: LDC, STC, RTE, LDTLB, SLEEP, but excluding LDC/STC instructions that access GBR
 - Decoding of a PC-relative MOV instruction or MOVA instruction in a delay slot
- Transition address: VBR + H'0000 0100
- Transition operations:

The PC contents for the preceding delayed branch instruction are saved in SPC. The SR and R15 contents when this exception occurred are saved in SSR and SGR.

Exception code H'1A0 is set in EXPEVT. The BL, MD, and RB bits are set to 1 in SR, and a branch is made to PC = VBR + H'0100. Operation is not guaranteed if an undefined code other than H'FFFD is decoded.

```
Slot_illegal_instruction_exception()  
{  
    SPC = PC - 2;  
    SSR = SR;  
    SGR = R15;  
    EXPEVT = H'000001A0;  
    SR.MD = 1;  
    SR.RB = 1;  
    SR.BL = 1;  
    PC = VBR + H'00000100;  
}
```

(11) General FPU Disable Exception

- Source: Decoding of an FPU instruction* not in a delay slot with SR.FD =1
- Transition address: VBR + H'0000 0100
- Transition operations:
The PC and SR contents for the instruction at which this exception occurred are saved in SPC and SSR, and the contents of R15 are saved in SGR.
Exception code H'800 is set in EXPEVT. The BL, MD, and RB bits are set to 1 in SR, and a branch is made to PC = VBR + H'0100.

Note: * FPU instructions are instructions in which the first 4 bits of the instruction code are F (but excluding undefined instruction H'FFFD), and the LDS, STS, LDS.L, and STS.L instructions corresponding to FPUL and FPSCR.

```
General_fpu_disable_exception()
```

```
{  
    SPC = PC;  
    SSR = SR;  
    SGR = R15;  
    EXPEVT = H'00000800;  
    SR.MD = 1;  
    SR.RB = 1;  
    SR.BL = 1;  
    PC = VBR + H'00000100;  
}
```

(12) Slot FPU Disable Exception

- Source: Decoding of an FPU instruction in a delay slot with SR.FD =1
- Transition address: VBR + H'0000 0100
- Transition operations:

The PC contents for the preceding delayed branch instruction are saved in SPC. The SR and R15 contents when this exception occurred are saved in SSR and SGR.

Exception code H'820 is set in EXPEVT. The BL, MD, and RB bits are set to 1 in SR, and a branch is made to PC = VBR + H'0100.

```
Slot_fpu_disable_exception()
```

```
{  
    SPC = PC - 2;  
    SSR = SR;  
    SGR = R15;  
    EXPEVT = H'00000820;  
    SR.MD = 1;  
    SR.RB = 1;  
    SR.BL = 1;  
    PC = VBR + H'00000100;  
}
```

(13) User Breakpoint Trap

- Source: Fulfilling of a break condition set in the user break controller
- Transition address: VBR + H'0000 0100, or DBR
- Transition operations:

In the case of a post-execution break, the PC contents for the instruction following the instruction at which the breakpoint is set are set in SPC. In the case of a pre-execution break, the PC contents for the instruction at which the breakpoint is set are set in SPC.

The SR and R15 contents when the break occurred are saved in SSR and SGR. Exception code H'1E0 is set in EXPEVT.

The BL, MD, and RB bits are set to 1 in SR, and a branch is made to PC = VBR + H'0100. It is also possible to branch to PC = DBR.

For details of PC, etc., when a data break is set, see section 20, User Break Controller (UBC).

```
User_break_exception()  
{  
    SPC = (pre_execution break? PC : PC + 2);  
    SSR = SR;  
    SGR = R15;  
    EXPEVT = H'000001E0;  
    SR.MD = 1;  
    SR.RB = 1;  
    SR.BL = 1;  
    PC = (BRCCR.UBDE==1 ? DBR : VBR + H'00000100);  
}
```

(14) FPU Exception

- Source: Exception due to execution of a floating-point operation
- Transition address: VBR + H'0000 0100
- Transition operations:

The PC and SR contents for the instruction at which this exception occurred are saved in SPC and SSR, and the contents of R15 are saved in SGR. Exception code H'120 is set in EXPEVT. The BL, MD, and RB bits are set to 1 in SR, and a branch is made to PC = VBR + H'0100.

```
FPU_exception()  
{  
    SPC = PC;  
    SSR = SR;  
    SGR = R15;  
    EXPEVT = H'00000120;  
    SR.MD = 1;  
    SR.RB = 1;  
    SR.BL = 1;  
    PC = VBR + H'00000100;  
}
```

5.6.3 Interrupts

(1) NMI

- Source: NMI pin edge detection
- Transition address: VBR + H'0000 0600
- Transition operations:

The contents of PC and SR immediately after the instruction at which this interrupt was accepted are saved in SPC and SSR, and the contents of R15 are saved in SGR.

Exception code H'1C0 is set in INTEVT. The BL, MD, and RB bits are set to 1 in SR, and a branch is made to PC = VBR + H'0600. When the BL bit in SR is 0, this interrupt is not masked by the interrupt mask bits in SR, and is accepted at the highest priority level. When the BL bit in SR is 1, a software setting can specify whether this interrupt is to be masked or accepted. For details, see section 19, Interrupt Controller (INTC).

```
NMI()  
{  
    SPC = PC;  
    SSR = SR;  
    SGR = R15;  
    INTEVT = H'000001C0;  
    SR.MD = 1;  
    SR.RB = 1;  
    SR.BL = 1;  
    PC = VBR + H'00000600;  
}
```

(2) IRL Interrupts

- Source: The interrupt mask bit setting in SR is smaller than the IRL (3–0) level, and the BL bit in SR is 0 (accepted at instruction boundary).
- Transition address: VBR + H'0000 0600
- Transition operations:

The PC contents immediately after the instruction at which the interrupt is accepted are set in SPC. The SR and R15 contents at the time of acceptance are set in SSR and SGR.

The code corresponding to the IRL (3–0) level is set in INTEVT. See table 19.5, Interrupt Exception Handling Sources and Priority Order, for the corresponding codes. The BL, MD, and RB bits are set to 1 in SR, and a branch is made to VBR + H'0600. The acceptance level is not set in the interrupt mask bits in SR. When the BL bit in SR is 1, the interrupt is masked. For details, see section 19, Interrupt Controller (INTC).

```
IRL()  
{  
    SPC = PC;  
    SSR = SR;  
    SGR = R15;  
    INTEVT = H'00000200 ~ H'000003C0;  
    SR.MD = 1;  
    SR.RB = 1;  
    SR.BL = 1;  
    PC = VBR + H'00000600;  
}
```


(3) Peripheral Module Interrupts

- Source: The interrupt mask bit setting in SR is smaller than the peripheral module (H-UDI, GPIO, DMAC, TMU, RTC, SCI, SCIF, WDT, or REF) interrupt level, and the BL bit in SR is 0 (accepted at instruction boundary).
- Transition address: VBR + H'0000 0600
- Transition operations:

The PC contents immediately after the instruction at which the interrupt is accepted are set in SPC. The SR and R15 contents at the time of acceptance are set in SSR and SGR.

The code corresponding to the interrupt source is set in INTEVT. The BL, MD, and RB bits are set to 1 in SR, and a branch is made to VBR + H'0600. The module interrupt levels should be set as values between B'0000 and B'1111 in the interrupt priority registers (IPRA–IPRC) in the interrupt controller. For details, see section 19, Interrupt Controller (INTC).

```
Module_interruption()  
{  
    SPC = PC;  
    SSR = SR;  
    SGR = R15;  
    INTEVT = H'00000400 ~ H'B80;  
    SR.MD = 1;  
    SR.RB = 1;  
    SR.BL = 1;  
    PC = VBR + H'00000600;  
}
```

5.6.4 Priority Order with Multiple Exceptions

With some instructions, such as instructions that make two accesses to memory, and the indivisible pair comprising a delayed branch instruction and delay slot instruction, multiple exceptions occur. Care is required in these cases, as the exception priority order differs from the normal order.

1. Instructions that make two accesses to memory

With MAC instructions, memory-to-memory arithmetic/logic instructions, and TAS instructions, two data transfers are performed by a single instruction, and an exception will be detected for each of these data transfers. In these cases, therefore, the following order is used to determine priority.

- a. Data address error in first data transfer
- b. TLB miss in first data transfer
- c. TLB protection violation in first data transfer
- d. Initial page write exception in first data transfer
- e. Data address error in second data transfer
- f. TLB miss in second data transfer
- g. TLB protection violation in second data transfer
- h. Initial page write exception in second data transfer

2. Indivisible delayed branch instruction and delay slot instruction

As a delayed branch instruction and its associated delay slot instruction are indivisible, they are treated as a single instruction. Consequently, the priority order for exceptions that occur in these instructions differs from the usual priority order. The priority order shown below is for the case where the delay slot instruction has only one data transfer.

- a. A check is performed for the interrupt type and reexecution type exceptions of priority levels 1 and 2 in the delayed branch instruction.
- b. A check is performed for the interrupt type and reexecution type exceptions of priority levels 1 and 2 in the delay slot instruction.
- c. A check is performed for the completion type exception of priority level 2 in the delayed branch instruction.
- d. A check is performed for the completion type exception of priority level 2 in the delay slot instruction.
- e. A check is performed for priority level 3 in the delayed branch instruction and priority level 3 in the delay slot instruction. (There is no priority ranking between these two.)
- f. A check is performed for priority level 4 in the delayed branch instruction and priority level 4 in the delay slot instruction. (There is no priority ranking between these two.)

If the delay slot instruction has a second data transfer, two checks are performed in step b, as in 1 above.

If the accepted exception (the highest-priority exception) is a delay slot instruction re-execution type exception, the branch instruction PR register write operation (PC → PR operation performed in BSR, BSRF, JSR) is inhibited.

5.7 Usage Notes

1. Return from exception handling
 - a. Check the BL bit in SR with software. If SPC and SSR have been saved to external memory, set the BL bit in SR to 1 before restoring them.
 - b. Issue an RTE instruction. When RTE is executed, the SPC contents are set in PC, the SSR contents are set in SR, and branch is made to the SPC address to return from the exception handling routine.
2. If an exception or interrupt occurs when SR.BL = 1
 - a. Exception

When an exception other than a user break occurs, a manual reset is executed. The value in EXPEVT at this time is H'0000 0020; the value of the SPC and SSR registers is undefined.
 - b. Interrupt

If an ordinary interrupt occurs, the interrupt request is held pending and is accepted after the BL bit in SR has been cleared to 0 by software. If a nonmaskable interrupt (NMI) occurs, it can be held pending or accepted according to the setting made by software. In the sleep or standby state, however, an interrupt is accepted even if the BL bit in SR is set to 1.
3. SPC when an exception occurs
 - a. Re-execution type exception

The PC value for the instruction in which the exception occurred is set in SPC, and the instruction is re-executed after returning from exception handling. If an exception occurs in a delay slot instruction, however, the PC value for the delay slot instruction is saved in SPC regardless of whether or not the preceding delay slot instruction condition is satisfied.
 - b. Completion type exception or interrupt

The PC value for the instruction following that in which the exception occurred is set in SPC. If an exception occurs in a branch instruction with delay slot, however, the PC value for the branch destination is saved in SPC.
4. An exception must not be generated in an RTE instruction delay slot, as the operation will be undefined in this case.

5.8 Restrictions

1. Restrictions on first instruction of exception handling routine

- Do not locate a BT, BF, BT/S, BF/S, BRA, or BSR instruction at address VBR + H'100, VBR + H'400, or VBR + H'600.
- When the UBDE bit in the BRCR register is set to 1 and the user break debug support function* is used, do not locate a BT, BF, BT/S, BF/S, BRA, or BSR instruction at the address indicated by the DBR register.

Note: * See section 20.4, User Break Debug Support Function.

Section 6 Floating-Point Unit

6.1 Overview

The floating-point unit (FPU) has the following features:

- Conforms to IEEE754 standard
- 32 single-precision floating-point registers (can also be referenced as 16 double-precision registers)
- Two rounding modes: Round to Nearest and Round to Zero
- Two denormalization modes: Flush to Zero and Treat Denormalized Number
- Six exception sources: FPU Error, Invalid Operation, Divide By Zero, Overflow, Underflow, and Inexact
- Comprehensive instructions: Single-precision, double-precision, graphics support, system control

When the FD bit in SR is set to 1, the FPU cannot be used, and an attempt to execute an FPU instruction will cause an FPU disable exception.

6.2 Data Formats

6.2.1 Floating-Point Format

A floating-point number consists of the following three fields:

- Sign (s)
- Exponent (e)
- Fraction (f)

The SH7750 Series can handle single-precision and double-precision floating-point numbers, using the formats shown in figures 6.1 and 6.2.

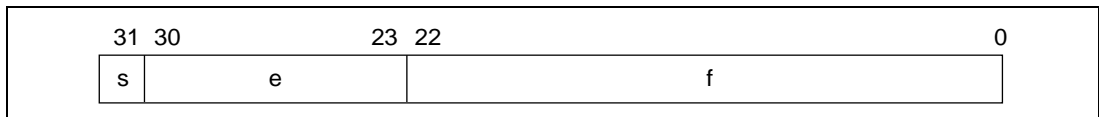


Figure 6.1 Format of Single-Precision Floating-Point Number

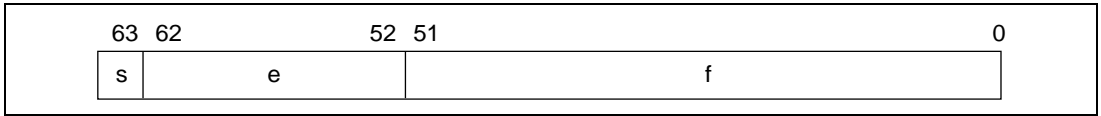


Figure 6.2 Format of Double-Precision Floating-Point Number

The exponent is expressed in biased form, as follows:

$$e = E + \text{bias}$$

The range of unbiased exponent E is $E_{\min} - 1$ to $E_{\max} + 1$. The two values $E_{\min} - 1$ and $E_{\max} + 1$ are distinguished as follows. $E_{\min} - 1$ indicates zero (both positive and negative sign) and a denormalized number, and $E_{\max} + 1$ indicates positive or negative infinity or a non-number (NaN). Table 6.1 shows bias, E_{\min} , and E_{\max} values.

Table 6.1 Floating-Point Number Formats and Parameters

Parameter	Single-Precision	Double-Precision
Total bit width	32 bits	64 bits
Sign bit	1 bit	1 bit
Exponent field	8 bits	11 bits
Fraction field	23 bits	52 bits
Precision	24 bits	53 bits
Bias	+127	+1023
E_{\max}	+127	+1023
E_{\min}	-126	-1022

Floating-point number value v is determined as follows:

- If $E = E_{\max} + 1$ and $f \neq 0$, v is a non-number (NaN) irrespective of sign s
- If $E = E_{\max} + 1$ and $f = 0$, $v = (-1)^s$ (infinity) [positive or negative infinity]
- If $E_{\min} \leq E \leq E_{\max}$, $v = (-1)^s 2^E (1.f)$ [normalized number]
- If $E = E_{\min} - 1$ and $f \neq 0$, $v = (-1)^s 2^{E_{\min}} (0.f)$ [denormalized number]
- If $E = E_{\min} - 1$ and $f = 0$, $v = (-1)^s 0$ [positive or negative zero]

Table 6.2 shows the ranges of the various numbers in hexadecimal notation.

Table 6.2 Floating-Point Ranges

Type	Single-Precision	Double-Precision
Signaling non-number	H'7FFFFFFF to H'7FC00000	H'7FFFFFFF FFFFFFFF to H'7FF80000 00000000
Quiet non-number	H'7FBFFFFFF to H'7F800001	H'7FF7FFFF FFFFFFFF to H'7FF00000 00000001
Positive infinity	H'7F800000	H'7FF00000 000000
Positive normalized number	H'7F7FFFFFF to H'00800000	H'7FEFFFFFF FFFFFFFF to H'00100000 00000000
Positive denormalized number	H'007FFFFFF to H'00000001	H'000FFFFFF FFFFFFFF to H'00000000 00000001
Positive zero	H'00000000	H'00000000 00000000
Negative zero	H'80000000	H'80000000 00000000
Negative denormalized number	H'80000001 to H'807FFFFFF	H'80000000 00000001 to H'800FFFFFF FFFFFFFF
Negative normalized number	H'80800000 to H'FF7FFFFFF	H'80100000 00000000 to H'FFEFFFFFF FFFFFFFF
Negative infinity	H'FF800000	H'FFF00000 00000000
Quiet non-number	H'FF800001 to H'FFBFFFFFF	H'FFF00000 00000001 to H'FFF7FFFF FFFFFFFF
Signaling non-number	H'FFC00000 to H'FFFFFFF	H'FFF80000 00000000 to H'FFFFFFF FFFFFFFF

6.2.2 Non-Numbers (NaN)

Figure 6.3 shows the bit pattern of a non-number (NaN). A value is NaN in the following case:

- Sign bit: Don't care
- Exponent field: All bits are 1
- Fraction field: At least one bit is 1

The NaN is a signaling NaN (sNaN) if the MSB of the fraction field is 1, and a quiet NaN (qNaN) if the MSB is 0.

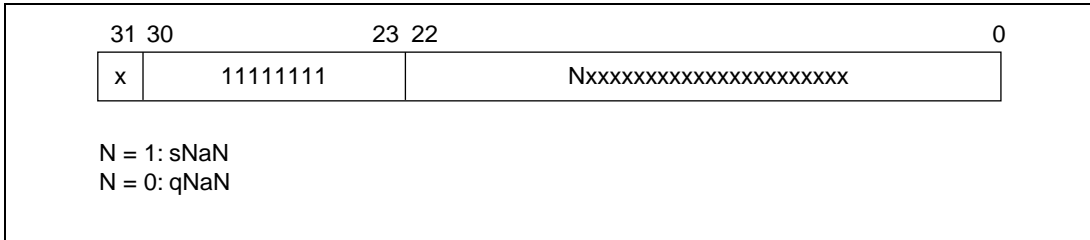


Figure 6.3 Single-Precision NaN Bit Pattern

An sNaN is input in an operation, except copy, FABS, and FNEG, that generates a floating-point value.

- When the EN.V bit in the FPSCR register is 0, the operation result (output) is a qNaN.
- When the EN.V bit in the FPSCR register is 1, an invalid operation exception will be generated. In this case, the contents of the operation destination register are unchanged.

If a qNaN is input in an operation that generates a floating-point value, and an sNaN has not been input in that operation, the output will always be a qNaN irrespective of the setting of the EN.V bit in the FPSCR register. An exception will not be generated in this case.

The qNaN values generated by the SH7750 Series as operation results are as follows:

- Single-precision qNaN: H'7FBFFFF
- Double-precision qNaN: H'7FF7FFFF FFFFFFFF

See the individual instruction descriptions for details of floating-point operations when a non-number (NaN) is input.

6.2.3 Denormalized Numbers

For a denormalized number floating-point value, the exponent field is expressed as 0, and the fraction field as a non-zero value.

When the DN bit in the FPU's status register FPSCR is 1, a denormalized number (source operand or operation result) is always flushed to 0 in a floating-point operation that generates a value (an operation other than copy, FNEG, or FABS).

When the DN bit in FPSCR is 0, a denormalized number (source operand or operation result) is processed as it is. See the individual instruction descriptions for details of floating-point operations when a denormalized number is input.

6.3 Registers

6.3.1 Floating-Point Registers

Figure 6.4 shows the floating-point register configuration. There are thirty-two 32-bit floating-point registers, referenced by specifying FR0–FR15, DR0/2/4/6/8/10/12/14, FV0/4/8/12, XF0–XF15, XD0/2/4/6/8/10/12/14, or XMTRX.

1. Floating-point registers, FPR_i_BANK_j (32 registers)
FPR0_BANK0–FPR15_BANK0
FPR0_BANK1–FPR15_BANK1
2. Single-precision floating-point registers, FR_i (16 registers)
When FPSCR.FR = 0, FR0–FR15 indicate FPR0_BANK0–FPR15_BANK0;
when FPSCR.FR = 1, FR0–FR15 indicate FPR0_BANK1–FPR15_BANK1.
3. Double-precision floating-point registers, DR_i (8 registers): A DR register comprises two FR registers
DR0 = {FR0, FR1}, DR2 = {FR2, FR3}, DR4 = {FR4, FR5}, DR6 = {FR6, FR7},
DR8 = {FR8, FR9}, DR10 = {FR10, FR11}, DR12 = {FR12, FR13}, DR14 = {FR14, FR15}
4. Single-precision floating-point vector registers, FV_i (4 registers): An FV register comprises four FR registers
FV0 = {FR0, FR1, FR2, FR3}, FV4 = {FR4, FR5, FR6, FR7},
FV8 = {FR8, FR9, FR10, FR11}, FV12 = {FR12, FR13, FR14, FR15}
5. Single-precision floating-point extended registers, XF_i (16 registers)
When FPSCR.FR = 0, XF0–XF15 indicate FPR0_BANK1–FPR15_BANK1;
when FPSCR.FR = 1, XF0–XF15 indicate FPR0_BANK0–FPR15_BANK0.
6. Double-precision floating-point extended registers, XD_i (8 registers): An XD register comprises two XF registers
XD0 = {XF0, XF1}, XD2 = {XF2, XF3}, XD4 = {XF4, XF5}, XD6 = {XF6, XF7},
XD8 = {XF8, XF9}, XD10 = {XF10, XF11}, XD12 = {XF12, XF13}, XD14 = {XF14, XF15}
7. Single-precision floating-point extended register matrix: XMTRX
XMTRX comprises all 16 XF registers
$$\text{XMTRX} = \begin{bmatrix} \text{XF0} & \text{XF4} & \text{XF8} & \text{XF12} \\ \text{XF1} & \text{XF5} & \text{XF9} & \text{XF13} \\ \text{XF2} & \text{XF6} & \text{XF10} & \text{XF14} \\ \text{XF3} & \text{XF7} & \text{XF11} & \text{XF15} \end{bmatrix}$$

<u>FPSCR.FR = 0</u>				<u>FPSCR.FR = 1</u>		
FV0	DR0	FR0	FPR0_BANK0	XF0	XD0	XMTRX
		FR1	FPR1_BANK0	XF1		
	DR2	FR2	FPR2_BANK0	XF2	XD2	
		FR3	FPR3_BANK0	XF3		
FV4	DR4	FR4	FPR4_BANK0	XF4	XD4	
		FR5	FPR5_BANK0	XF5		
	DR6	FR6	FPR6_BANK0	XF6	XD6	
		FR7	FPR7_BANK0	XF7		
FV8	DR8	FR8	FPR8_BANK0	XF8	XD8	
		FR9	FPR9_BANK0	XF9		
	DR10	FR10	FPR10_BANK0	XF10	XD10	
		FR11	FPR11_BANK0	XF11		
FV12	DR12	FR12	FPR12_BANK0	XF12	XD12	
		FR13	FPR13_BANK0	XF13		
	DR14	FR14	FPR14_BANK0	XF14	XD14	
		FR15	FPR15_BANK0	XF15		
XMTRX	XD0	XF0	FPR0_BANK1	FR0	DR0	FV0
		XF1	FPR1_BANK1	FR1		
	XD2	XF2	FPR2_BANK1	FR2	DR2	
		XF3	FPR3_BANK1	FR3		
XD4	XF4	XF4	FPR4_BANK1	FR4	DR4	FV4
		XF5	FPR5_BANK1	FR5		
XD6	XF6	XF6	FPR6_BANK1	FR6	DR6	
		XF7	FPR7_BANK1	FR7		
XD8	XF8	XF8	FPR8_BANK1	FR8	DR8	FV8
		XF9	FPR9_BANK1	FR9		
XD10	XF10	XF10	FPR10_BANK1	FR10	DR10	
		XF11	FPR11_BANK1	FR11		
XD12	XF12	XF12	FPR12_BANK1	FR12	DR12	FV12
		XF13	FPR13_BANK1	FR13		
XD14	XF14	XF14	FPR14_BANK1	FR14	DR14	
		XF15	FPR15_BANK1	FR15		

Figure 6.4 Floating-Point Registers

6.3.2 Floating-Point Status/Control Register (FPSCR)

Floating-point status/control register, FPSCR (32 bits, initial value = H'0004 0001)

31	22	21	20	19	18	17	12	11	7	6	2	1	0
—				FR	SZ	PR	DN	Cause	Enable	Flag	RM		

Note: —: Reserved. These bits are always read as 0, and should only be written with 0.

- **FR: Floating-point register bank**
 FR = 0: FPR0_BANK0–FPR15_BANK0 are assigned to FR0–FR15; FPR0_BANK1–FPR15_BANK1 are assigned to XF0–XF15.
 FR = 1: FPR0_BANK0–FPR15_BANK0 are assigned to XF0–XF15; FPR0_BANK1–FPR15_BANK1 are assigned to FR0–FR15.
- **SZ: Transfer size mode**
 SZ = 0: The data size of the FMOV instruction is 32 bits.
 SZ = 1: The data size of the FMOV instruction is a 32-bit register pair (64 bits).
- **PR: Precision mode**
 PR = 0: Floating-point instructions are executed as single-precision operations.
 PR = 1: Floating-point instructions are executed as double-precision operations (graphics support instructions are undefined).
 Do not set SZ and PR to 1 simultaneously; this setting is reserved.
 [SZ, PR = 11]: Reserved (FPU operation instruction is undefined).
- **DN: Denormalization mode**
 DN = 0: A denormalized number is treated as such.
 DN = 1: A denormalized number is treated as zero.
- **Cause: FPU exception cause field**
- **Enable: FPU exception enable field**
- **Flag: FPU exception flag field**

		FPU Error (E)	Invalid Operation (V)	Division by Zero (Z)	Overflow (O)	Underflow (U)	Inexact (I)
Cause	FPU exception cause field	Bit 17	Bit 16	Bit 15	Bit 14	Bit 13	Bit 12
Enable	FPU exception enable field	None	Bit 11	Bit 10	Bit 9	Bit 8	Bit 7
Flag	FPU exception flag field	None	Bit 6	Bit 5	Bit 4	Bit 3	Bit 2

When an FPU operation instruction is executed, the FPU exception cause field is cleared to zero first. When the next FPU exception is occurred, the corresponding bits in the FPU exception cause field and FPU exception flag field are set to 1. The FPU exception flag field holds the status of the exception generated after the field was last cleared.

- RM: Rounding mode
RM = 00: Round to Nearest
RM = 01: Round to Zero
RM = 10: Reserved
RM = 11: Reserved

- Bits 22 to 31: Reserved

These bits are always read as 0, and should only be written with 0.

6.3.3 Floating-Point Communication Register (FPUL)

Information is transferred between the FPU and CPU via the FPUL register. The 32-bit FPUL register is a system register, and is accessed from the CPU side by means of LDS and STS instructions. For example, to convert the integer stored in general register R1 to a single-precision floating-point number, the processing flow is as follows:

R1 → (LDS instruction) → FPUL → (single-precision FLOAT instruction) → FR1

6.4 Rounding

In a floating-point instruction, rounding is performed when generating the final operation result from the intermediate result. Therefore, the result of combination instructions such as FMAC, FTRV, and FIPR will differ from the result when using a basic instruction such as FADD, FSUB, or FMUL. Rounding is performed once in FMAC, but twice in FADD, FSUB, and FMUL.

There are two rounding methods, the method to be used being determined by the RM field in FPSCR.

- RM = 00: Round to Nearest
- RM = 01: Round to Zero

Round to Nearest: The value is rounded to the nearest expressible value. If there are two nearest expressible values, the one with an LSB of 0 is selected.

If the unrounded value is $2^{E_{max}} (2 - 2^{-P})$ or more, the result will be infinity with the same sign as the unrounded value. The values of E_{max} and P , respectively, are 127 and 24 for single-precision, and 1023 and 53 for double-precision.

Round to Zero: The digits below the round bit of the unrounded value are discarded.

If the unrounded value is larger than the maximum expressible absolute value, the value will be the maximum expressible absolute value.

6.5 Floating-Point Exceptions

FPU-related exceptions are as follows:

- General illegal instruction/slot illegal instruction exception

The exception occurs if an FPU instruction is executed when $SR.FD = 1$.

- FPU exceptions

The exception sources are as follows:

- FPU error (E): When $FPSCR.DN = 0$ and a denormalized number is input
- Invalid operation (V): In case of an invalid operation, such as NaN input
- Division by zero (Z): Division with a zero divisor
- Overflow (O): When the operation result overflows
- Underflow (U): When the operation result underflows
- Inexact exception (I): When overflow, underflow, or rounding occurs

The $FPSCR$ cause field contains bits corresponding to all of above sources E, V, Z, O, U, and I, and the $FPSCR$ flag and enable fields contain bits corresponding to sources V, Z, O, U, and I, but not E. Thus, FPU errors cannot be disabled.

When an exception source occurs, the corresponding bit in the cause field is set to 1, and 1 is added to the corresponding bit in the flag field. When an exception source does not occur, the corresponding bit in the cause field is cleared to 0, but the corresponding bit in the flag field remains unchanged.

- Enable/disable exception handling

The SH7750 Series supports enable exception handling and disable exception handling.

Enable exception handling is initiated in the following cases:

- FPU error (E): $FPSCR.DN = 0$ and a denormalized number is input
- Invalid operation (V): $FPSCR.EN.V = 1$ and (instruction = $FTRV$ or invalid operation)
- Division by zero (Z): $FPSCR.EN.Z = 1$ and division with a zero divisor
- Overflow (O): $FPSCR.EN.O = 1$ and instruction with possibility of operation result overflow
- Underflow (U): $FPSCR.EN.U = 1$ and instruction with possibility of operation result underflow
- Inexact exception (I): $FPSCR.EN.I = 1$ and instruction with possibility of inexact operation result

These possibilities are shown in the individual instruction descriptions. All exception events that originate in the FPU are assigned as the same exception event. The meaning of an exception is determined by software by reading system register FPSCR and interpreting the information it contains. If no bits are set in the cause field of FPSCR when one or more of bits O, U, I, and V (in case of FTRV only) are set in the enable field, this indicates that an actual exception source is not generated. Also, the destination register is not changed by any enable exception handling operation.

Except for the above, the FPU disables exception handling. In all processing, the bit corresponding to source V, Z, O, U, or I is set to 1, and disable exception handling is provided for each exception.

- Invalid operation (V): qNAN is generated as the result.
- Division by zero (Z): Infinity with the same sign as the unrounded value is generated.
- Overflow (O):
 - When rounding mode = RZ, the maximum normalized number, with the same sign as the unrounded value, is generated.
 - When rounding mode = RN, infinity with the same sign as the unrounded value is generated.
- Underflow (U):
 - When FPSCR.DN = 0, a denormalized number with the same sign as the unrounded value, or zero with the same sign as the unrounded value, is generated.
 - When FPSCR.DN = 1, zero with the same sign as the unrounded value, is generated.
- Inexact exception (I): An inexact result is generated.

6.6 Graphics Support Functions

The SH7750 Series supports two kinds of graphics functions: new instructions for geometric operations, and pair single-precision transfer instructions that enable high-speed data transfer.

6.6.1 Geometric Operation Instructions

Geometric operation instructions perform approximate-value computations. To enable high-speed computation with a minimum of hardware, the SH7750 Series ignores comparatively small values in the partial computation results of four multiplications. Consequently, the error shown below is produced in the result of the computation:

$$\text{Maximum error} = \text{MAX}(\text{individual multiplication result} \times 2^{-\text{MIN}(\text{number of multiplier significant digits}-1, \text{number of multiplicand significant digits}-1)}) + \text{MAX}(\text{result value} \times 2^{-23}, 2^{-149})$$

The number of significant digits is 24 for a normalized number and 23 for a denormalized number (number of leading zeros in the fractional part).

In future version of SH series, the above error is guaranteed, but the same result as SH7750 is not guaranteed.

FIPR FV m , FV n (m, n: 0, 4, 8, 12): This instruction is basically used for the following purposes:

- Inner product ($m \neq n$):
This operation is generally used for surface/rear surface determination for polygon surfaces.
- Sum of square of elements ($m = n$):
This operation is generally used to find the length of a vector.

Since approximate-value computations are performed to enable high-speed computation, the inexact exception (I) bit in the cause field and flag field is always set to 1 when an FIPR instruction is executed. Therefore, if the corresponding bit is set in the enable field, enable exception handling will be executed.

FTRV XMTRX, FV n (n: 0, 4, 8, 12): This instruction is basically used for the following purposes:

- Matrix (4×4) · vector (4):
This operation is generally used for viewpoint changes, angle changes, or movements called vector transformations (4-dimensional). Since affine transformation processing for angle + parallel movement basically requires a 4×4 matrix, the SH7750 Series supports 4-dimensional operations.
- Matrix (4×4) × matrix (4×4):
This operation requires the execution of four FTRV instructions.

Since approximate-value computations are performed to enable high-speed computation, the inexact exception (I) bit in the cause field and flag field is always set to 1 when an FTRV instruction is executed. Therefore, if the corresponding bit is set in the enable field, enable exception handling will be executed. For the same reason, it is not possible to check all data types in the registers beforehand when executing an FTRV instruction. If the V bit is set in the enable field, enable exception handling will be executed.

FRCHG: This instruction modifies banked registers. For example, when the FTRV instruction is executed, matrix elements must be set in an array in the background bank. However, to create the actual elements of a translation matrix, it is easier to use registers in the foreground bank. When the LDC instruction is used on FPSCR, this instruction expends 4 to 5 cycles in order to maintain the FPU state. With the FRCHG instruction, an FPSCR.FR bit modification can be performed in one cycle.

6.6.2 Pair Single-Precision Data Transfer

In addition to the powerful new geometric operation instructions, the SH7750 Series also supports high-speed data transfer instructions.

When `FPSCR.SZ = 1`, the SH7750 Series can perform data transfer by means of pair single-precision data transfer instructions.

- `FMOV DRm/XDm, DRn/XDRn` (m, n: 0, 2, 4, 6, 8, 10, 12, 14)
- `FMOV DRm/XDm, @Rn` (m: 0, 2, 4, 6, 8, 10, 12, 14; n: 0 to 15)

These instructions enable two single-precision (2×32 -bit) data items to be transferred; that is, the transfer performance of these instructions is doubled.

- `FSCHG`

This instruction changes the value of the `SZ` bit in `FPSCR`, enabling fast switching between use and non-use of pair single-precision data transfer.

Programming Note:

When `FPSCR.SZ = 1` and big-endian mode is used, `FMOV` can be used for a double-precision floating-point load or store. In little-endian mode, a double-precision floating-point load or store requires execution of two 32-bit data size operations with `FPSCR.SZ = 0`.

Section 7 Instruction Set

7.1 Execution Environment

PC: At the start of instruction execution, PC indicates the address of the instruction itself.

Data sizes and data types: The SH7750 Series' instruction set is implemented with 16-bit fixed-length instructions. The SH7750 Series can use byte (8-bit), word (16-bit), longword (32-bit), and quadword (64-bit) data sizes for memory access. Single-precision floating-point data (32 bits) can be moved to and from memory using longword or quadword size. Double-precision floating-point data (64 bits) can be moved to and from memory using longword size. When a double-precision floating-point operation is specified (FPSCR.PR = 1), the result of an operation using quadword access will be undefined. When the SH7750 Series moves byte-size or word-size data from memory to a register, the data is sign-extended.

Load-Store Architecture: The SH7750 Series features a load-store architecture in which operations are basically executed using registers. Except for bit-manipulation operations such as logical AND that are executed directly in memory, operands in an operation that requires memory access are loaded into registers and the operation is executed between the registers.

Delayed Branches: Except for the two branch instructions BF and BT, the SH7750 Series' branch instructions and RTE are delayed branches. In a delayed branch, the instruction following the branch is executed before the branch destination instruction. This execution slot following a delayed branch is called a delay slot. For example, the BRA execution sequence is as follows:

Static Sequence		Dynamic Sequence	
BRA	TARGET	BRA	TARGET
ADD	R1, R0	ADD	R1, R0
next_2		target_instr	ADD in delay slot is executed before branching to TARGET

Delay Slot: An illegal instruction exception may occur when a specific instruction is executed in a delay slot. See section 5, Exceptions. The instruction following BF/S or BT/S for which the branch is not taken is also a delay slot instruction.

T Bit: The T bit in the status register (SR) is used to show the result of a compare operation, and is referenced by a conditional branch instruction. An example of the use of a conditional branch instruction is shown below.

ADD #1, R0 ; T bit is not changed by ADD operation
CMP/EQ R1, R0 ; If R0 = R1, T bit is set to 1
BT TARGET ; Branches to TARGET if T bit = 1 (R0 = R1)

In an RTE delay slot, status register (SR) bits are referenced as follows. In instruction access, the MD bit is used before modification, and in data access, the MD bit is accessed after modification. The other bits—S, T, M, Q, FD, BL, and RB—after modification are used for delay slot instruction execution. The STC and STC.L SR instructions access all SR bits after modification.

Constant Values: An 8-bit constant value can be specified by the instruction code and an immediate value. 16-bit and 32-bit constant values can be defined as literal constant values in memory, and can be referenced by a PC-relative load instruction.

MOV.W @(disp, PC), Rn

MOV.L @(disp, PC), Rn

There are no PC-relative load instructions for floating-point operations. However, it is possible to set 0.0 or 1.0 by using the FLDI0 or FLDI1 instruction on a single-precision floating-point register.

7.2 Addressing Modes

Addressing modes and effective address calculation methods are shown in table 7.1. When a location in virtual memory space is accessed (MMUCR.AT = 1), the effective address is translated into a physical memory address. If multiple virtual memory space systems are selected (MMUCR.SV = 0), the least significant bit of PTEH is also referenced as the access ASID. See section 3, Memory Management Unit (MMU).

Table 7.1 Addressing Modes and Effective Addresses


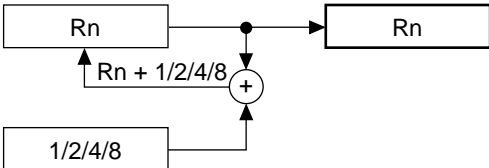
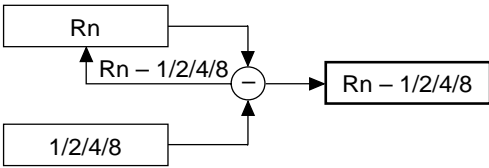
Addressing Mode	Instruction Format	Effective Address Calculation Method	Calculation Formula
Register direct	Rn	Effective address is register Rn. (Operand is register Rn contents.)	—
Register indirect	@Rn	Effective address is register Rn contents. 	Rn → EA (EA: effective address)
Register indirect with post-increment	@Rn+	Effective address is register Rn contents. A constant is added to Rn after instruction execution: 1 for a byte operand, 2 for a word operand, 4 for a longword operand, 8 for a quadword operand. 	Rn → EA After instruction execution Byte: Rn + 1 → Rn Word: Rn + 2 → Rn Longword: Rn + 4 → Rn Quadword: Rn + 8 → Rn
Register indirect with pre-decrement	@-Rn	Effective address is register Rn contents, decremented by a constant beforehand: 1 for a byte operand, 2 for a word operand, 4 for a longword operand, 8 for a quadword operand. 	Byte: Rn - 1 → Rn Word: Rn - 2 → Rn Longword: Rn - 4 → Rn Quadword: Rn - 8 → Rn Rn → EA (Instruction executed with Rn after calculation)

Table 7.1 Addressing Modes and Effective Addresses (cont)

Addressing Mode	Instruction Format	Effective Address Calculation Method	Calculation Formula
Register indirect with displacement	@(disp:4, Rn)	<p>Effective address is register Rn contents with 4-bit displacement disp added. After disp is zero-extended, it is multiplied by 1 (byte), 2 (word), or 4 (longword), according to the operand size.</p>	<p>Byte: $Rn + disp \rightarrow EA$ Word: $Rn + disp \times 2 \rightarrow EA$ Longword: $Rn + disp \times 4 \rightarrow EA$</p>
Indexed register indirect	@(R0, Rn)	<p>Effective address is sum of register Rn and R0 contents.</p>	$Rn + R0 \rightarrow EA$
GBR indirect with displacement	@(disp:8, GBR)	<p>Effective address is register GBR contents with 8-bit displacement disp added. After disp is zero-extended, it is multiplied by 1 (byte), 2 (word), or 4 (longword), according to the operand size.</p>	<p>Byte: $GBR + disp \rightarrow EA$ Word: $GBR + disp \times 2 \rightarrow EA$ Longword: $GBR + disp \times 4 \rightarrow EA$</p>
Indexed GBR indirect	@(R0, GBR)	<p>Effective address is sum of register GBR and R0 contents.</p>	$GBR + R0 \rightarrow EA$

Table 7.1 Addressing Modes and Effective Addresses (cont)

Addressing Mode	Instruction Format	Effective Address Calculation Method	Calculation Formula
PC-relative with displacement	@ (disp:8, PC)	Effective address is PC+4 with 8-bit displacement disp added. After disp is zero-extended, it is multiplied by 2 (word), or 4 (longword), according to the operand size. With a longword operand, the lower 2 bits of PC are masked.	Word: $PC + 4 + disp \times 2 \rightarrow EA$ Longword: $PC \& H'FFFFFFC + 4 + disp \times 4 \rightarrow EA$
		<p style="text-align: right;">* With longword operand</p>	
PC-relative	disp:8	Effective address is PC+4 with 8-bit displacement disp added after being sign-extended and multiplied by 2.	$PC + 4 + disp \times 2 \rightarrow$ Branch-Target

Table 7.1 Addressing Modes and Effective Addresses (cont)

Addressing Mode	Instruction Format	Effective Address Calculation Method	Calculation Formula
PC-relative	disp:12	Effective address is PC+4 with 12-bit displacement disp added after being sign-extended and multiplied by 2.	$PC + 4 + \text{disp} \times 2 \rightarrow \text{Branch-Target}$
	Rn	Effective address is sum of PC+4 and Rn.	$PC + 4 + Rn \rightarrow \text{Branch-Target}$
Immediate	#imm:8	8-bit immediate data imm of TST, AND, OR, or XOR instruction is zero-extended.	—
	#imm:8	8-bit immediate data imm of MOV, ADD, or CMP/EQ instruction is sign-extended.	—
	#imm:8	8-bit immediate data imm of TRAPA instruction is zero-extended and multiplied by 4.	—

Note: For the addressing modes below that use a displacement (disp), the assembler descriptions in this manual show the value before scaling ($\times 1$, $\times 2$, or $\times 4$) is performed according to the operand size. This is done to clarify the operation of the chip. Refer to the relevant assembler notation rules for the actual assembler descriptions.

- @ (disp:4, Rn) ; Register indirect with displacement
- @ (disp:8, GBR) ; GBR indirect with displacement
- @ (disp:8, PC) ; PC-relative with displacement
- disp:8, disp:12 ; PC-relative

7.3 Instruction Set

Table 7.2 shows the notation used in the following SH instruction list.

Table 7.2 Notation Used in Instruction List

Item	Format	Description
Instruction mnemonic	OP.Sz SRC, DEST	OP: Operation code Sz: Size SRC: Source DEST: Source and/or destination operand
Summary of operation		→, ←: Transfer direction (xx): Memory operand M/Q/T: SR flag bits &: Logical AND of individual bits : Logical OR of individual bits ^: Logical exclusive-OR of individual bits ~: Logical NOT of individual bits <<n, >>n: n-bit shift
Instruction code	MSB ↔ LSB	mmmm: Register number (Rm, FRm) nnnn: Register number (Rn, FRn) 0000: R0, FR0 0001: R1, FR1 : 1111: R15, FR15 mmm: Register number (DRm, XDm, Rm_BANK) nnn: Register number (DRm, XDm, Rn_BANK) 000: DR0, XD0, R0_BANK 001: DR2, XD2, R1_BANK : 111: DR14, XD14, R7_BANK mm: Register number (FVm) nn: Register number (FVn) 00: FV0 01: FV4 10: FV8 11: FV12 iiii: Immediate data dddd: Displacement
Privileged mode		“Privileged” means the instruction can only be executed in privileged mode.
T bit	Value of T bit after instruction execution	—: No change

Note: Scaling (×1, ×2, ×4, or ×8) is executed according to the size of the instruction operand(s).

Table 7.3 Fixed-Point Transfer Instructions

Instruction		Operation	Instruction Code	Privileged	T Bit
MOV	#imm,Rn	imm → sign extension → Rn	1110nnnniiiiiii	—	—
MOV.W	@(disp,PC),Rn	(disp × 2 + PC + 4) → sign extension → Rn	1001nnnnddddddd	—	—
MOV.L	@(disp,PC),Rn	(disp × 4 + PC & H'FFFFFFC + 4) → Rn	1101nnnnddddddd	—	—
MOV	Rm,Rn	Rm → Rn	0110nnnnmmmm0011	—	—
MOV.B	Rm,@Rn	Rm → (Rn)	0010nnnnmmmm0000	—	—
MOV.W	Rm,@Rn	Rm → (Rn)	0010nnnnmmmm0001	—	—
MOV.L	Rm,@Rn	Rm → (Rn)	0010nnnnmmmm0010	—	—
MOV.B	@Rm,Rn	(Rm) → sign extension → Rn	0110nnnnmmmm0000	—	—
MOV.W	@Rm,Rn	(Rm) → sign extension → Rn	0110nnnnmmmm0001	—	—
MOV.L	@Rm,Rn	(Rm) → Rn	0110nnnnmmmm0010	—	—
MOV.B	Rm,@-Rn	Rn-1 → Rn, Rm → (Rn)	0010nnnnmmmm0100	—	—
MOV.W	Rm,@-Rn	Rn-2 → Rn, Rm → (Rn)	0010nnnnmmmm0101	—	—
MOV.L	Rm,@-Rn	Rn-4 → Rn, Rm → (Rn)	0010nnnnmmmm0110	—	—
MOV.B	@Rm+,Rn	(Rm) → sign extension → Rn, Rm + 1 → Rm	0110nnnnmmmm0100	—	—
MOV.W	@Rm+,Rn	(Rm) → sign extension → Rn, Rm + 2 → Rm	0110nnnnmmmm0101	—	—
MOV.L	@Rm+,Rn	(Rm) → Rn, Rm + 4 → Rm	0110nnnnmmmm0110	—	—
MOV.B	R0,@(disp,Rn)	R0 → (disp + Rn)	10000000nnnnddd	—	—
MOV.W	R0,@(disp,Rn)	R0 → (disp × 2 + Rn)	10000001nnnnddd	—	—
MOV.L	Rm,@(disp,Rn)	Rm → (disp × 4 + Rn)	0001nnnnmmmmddd	—	—
MOV.B	@(disp,Rm),R0	(disp + Rm) → sign extension → R0	10000100mmmmddd	—	—
MOV.W	@(disp,Rm),R0	(disp × 2 + Rm) → sign extension → R0	10000101mmmmddd	—	—
MOV.L	@(disp,Rm),Rn	(disp × 4 + Rm) → Rn	0101nnnnmmmmddd	—	—
MOV.B	Rm,@(R0,Rn)	Rm → (R0 + Rn)	0000nnnnmmmm0100	—	—
MOV.W	Rm,@(R0,Rn)	Rm → (R0 + Rn)	0000nnnnmmmm0101	—	—
MOV.L	Rm,@(R0,Rn)	Rm → (R0 + Rn)	0000nnnnmmmm0110	—	—
MOV.B	@(R0,Rm),Rn	(R0 + Rm) → sign extension → Rn	0000nnnnmmmm1100	—	—
MOV.W	@(R0,Rm),Rn	(R0 + Rm) → sign extension → Rn	0000nnnnmmmm1101	—	—
MOV.L	@(R0,Rm),Rn	(R0 + Rm) → Rn	0000nnnnmmmm1110	—	—

Table 7.3 Fixed-Point Transfer Instructions (cont)

Instruction	Operation	Instruction Code	Privileged	T Bit
MOV.B	R0,@(disp,GBR) R0 → (disp + GBR)	11000000dddddddd	—	—
MOV.W	R0,@(disp,GBR) R0 → (disp × 2 + GBR)	11000001dddddddd	—	—
MOV.L	R0,@(disp,GBR) R0 → (disp × 4 + GBR)	11000010dddddddd	—	—
MOV.B	@(disp,GBR),R0 (disp + GBR) → sign extension → R0	11000100dddddddd	—	—
MOV.W	@(disp,GBR),R0 (disp × 2 + GBR) → sign extension → R0	11000101dddddddd	—	—
MOV.L	@(disp,GBR),R0 (disp × 4 + GBR) → R0	11000110dddddddd	—	—
MOVA	@(disp,PC),R0 disp × 4 + PC & H'FFFFFFC + 4 → R0	11000111dddddddd	—	—
MOVT	Rn T → Rn	0000nnnn00101001	—	—
SWAP.B	Rm,Rn Rm → swap lower 2 bytes → Rn	0110nnnnmmmm1000	—	—
SWAP.W	Rm,Rn Rm → swap upper/lower words → Rn	0110nnnnmmmm1001	—	—
XTRCT	Rm,Rn Rm:Rn middle 32 bits → Rn	0010nnnnmmmm1101	—	—

Table 7.4 Arithmetic Operation Instructions

Instruction		Operation	Instruction Code	Privileged	T Bit
ADD	Rm,Rn	$Rn + Rm \rightarrow Rn$	0011nnnnmmmm1100	—	—
ADD	#imm,Rn	$Rn + imm \rightarrow Rn$	0111nnnniiiiiii	—	—
ADDC	Rm,Rn	$Rn + Rm + T \rightarrow Rn$, carry $\rightarrow T$	0011nnnnmmmm1110	—	Carry
ADDV	Rm,Rn	$Rn + Rm \rightarrow Rn$, overflow $\rightarrow T$	0011nnnnmmmm1111	—	Overflow
CMP/EQ	#imm,R0	When $R0 = imm$, $1 \rightarrow T$ Otherwise, $0 \rightarrow T$	10001000iiiiiii	—	Comparison result
CMP/EQ	Rm,Rn	When $Rn = Rm$, $1 \rightarrow T$ Otherwise, $0 \rightarrow T$	0011nnnnmmmm0000	—	Comparison result
CMP/HS	Rm,Rn	When $Rn \geq Rm$ (unsigned), $1 \rightarrow T$ Otherwise, $0 \rightarrow T$	0011nnnnmmmm0010	—	Comparison result
CMP/GE	Rm,Rn	When $Rn \geq Rm$ (signed), $1 \rightarrow T$ Otherwise, $0 \rightarrow T$	0011nnnnmmmm0011	—	Comparison result
CMP/HL	Rm,Rn	When $Rn > Rm$ (unsigned), $1 \rightarrow T$ Otherwise, $0 \rightarrow T$	0011nnnnmmmm0110	—	Comparison result
CMP/GT	Rm,Rn	When $Rn > Rm$ (signed), $1 \rightarrow T$ Otherwise, $0 \rightarrow T$	0011nnnnmmmm0111	—	Comparison result
CMP/PZ	Rn	When $Rn \geq 0$, $1 \rightarrow T$ Otherwise, $0 \rightarrow T$	0100nnnn00010001	—	Comparison result
CMP/PL	Rn	When $Rn > 0$, $1 \rightarrow T$ Otherwise, $0 \rightarrow T$	0100nnnn00010101	—	Comparison result
CMP/STR	Rm,Rn	When any bytes are equal, $1 \rightarrow T$ Otherwise, $0 \rightarrow T$	0010nnnnmmmm1100	—	Comparison result
DIV1	Rm,Rn	1-step division ($Rn \div Rm$)	0011nnnnmmmm0100	—	Calculation result
DIV0S	Rm,Rn	MSB of $Rn \rightarrow Q$, MSB of $Rm \rightarrow M$, $M \wedge Q \rightarrow T$	0010nnnnmmmm0111	—	Calculation result
DIV0U		$0 \rightarrow M/Q/T$	000000000011001	—	0
DMULS.L	Rm,Rn	Signed, $Rn \times Rm \rightarrow MAC$, $32 \times 32 \rightarrow 64$ bits	0011nnnnmmmm1101	—	—
DMULU.L	Rm,Rn	Unsigned, $Rn \times Rm \rightarrow MAC$, $32 \times 32 \rightarrow 64$ bits	0011nnnnmmmm0101	—	—
DT	Rn	$Rn - 1 \rightarrow Rn$; when $Rn = 0$, $1 \rightarrow T$ When $Rn \neq 0$, $0 \rightarrow T$	0100nnnn00010000	—	Comparison result
EXTS.B	Rm,Rn	Rm sign-extended from byte $\rightarrow Rn$	0110nnnnmmmm1110	—	—

Table 7.4 Arithmetic Operation Instructions (cont)

Instruction		Operation	Instruction Code	Privileged	T Bit
EXTS.W	Rm,Rn	Rm sign-extended from word → Rn	0110nnnnmmmm1111	—	—
EXTU.B	Rm,Rn	Rm zero-extended from byte → Rn	0110nnnnmmmm1100	—	—
EXTU.W	Rm,Rn	Rm zero-extended from word → Rn	0110nnnnmmmm1101	—	—
MAC.L	@Rm+,@Rn+	Signed, $(Rn) \times (Rm) + MAC \rightarrow MAC$ Rn + 4 → Rn, Rm + 4 → Rm 32 × 32 + 64 → 64 bits	0000nnnnmmmm1111	—	—
MAC.W	@Rm+,@Rn+	Signed, $(Rn) \times (Rm) + MAC \rightarrow MAC$ Rn + 2 → Rn, Rm + 2 → Rm 16 × 16 + 64 → 64 bits	0100nnnnmmmm1111	—	—
MUL.L	Rm,Rn	Rn × Rm → MACL 32 × 32 → 32 bits	0000nnnnmmmm0111	—	—
MULS.W	Rm,Rn	Signed, Rn × Rm → MACL 16 × 16 → 32 bits	0010nnnnmmmm1111	—	—
MULU.W	Rm,Rn	Unsigned, Rn × Rm → MACL 16 × 16 → 32 bits	0010nnnnmmmm1110	—	—
NEG	Rm,Rn	0 – Rm → Rn	0110nnnnmmmm1011	—	—
NEGC	Rm,Rn	0 – Rm – T → Rn, borrow → T	0110nnnnmmmm1010	—	Borrow
SUB	Rm,Rn	Rn – Rm → Rn	0011nnnnmmmm1000	—	—
SUBC	Rm,Rn	Rn – Rm – T → Rn, borrow → T	0011nnnnmmmm1010	—	Borrow
SUBV	Rm,Rn	Rn – Rm → Rn, underflow → T	0011nnnnmmmm1011	—	Underflow

Table 7.5 Logic Operation Instructions

Instruction	Operation	Instruction Code	Privileged	T Bit
AND Rm,Rn	$Rn \& Rm \rightarrow Rn$	0010nnnnmmmm1001	—	—
AND #imm,R0	$R0 \& imm \rightarrow R0$	11001001iiiiiii	—	—
AND.B #imm,@(R0,GBR)	$(R0 + GBR) \& imm \rightarrow (R0 + GBR)$	11001101iiiiiii	—	—
NOT Rm,Rn	$\sim Rm \rightarrow Rn$	0110nnnnmmmm0111	—	—
OR Rm,Rn	$Rn Rm \rightarrow Rn$	0010nnnnmmmm1011	—	—
OR #imm,R0	$R0 imm \rightarrow R0$	11001011iiiiiii	—	—
OR.B #imm,@(R0,GBR)	$(R0 + GBR) imm \rightarrow (R0 + GBR)$	11001111iiiiiii	—	—
TAS.B @Rn	When (Rn) = 0, $1 \rightarrow T$ Otherwise, $0 \rightarrow T$ In both cases, $1 \rightarrow$ MSB of (Rn)	0100nnnn00011011	—	Test result
TST Rm,Rn	$Rn \& Rm$; when result = 0, $1 \rightarrow T$ Otherwise, $0 \rightarrow T$	0010nnnnmmmm1000	—	Test result
TST #imm,R0	$R0 \& imm$; when result = 0, $1 \rightarrow T$ Otherwise, $0 \rightarrow T$	11001000iiiiiii	—	Test result
TST.B #imm,@(R0,GBR)	$(R0 + GBR) \& imm$; when result = 0, $1 \rightarrow T$ Otherwise, $0 \rightarrow T$	11001100iiiiiii	—	Test result
XOR Rm,Rn	$Rn \wedge Rm \rightarrow Rn$	0010nnnnmmmm1010	—	—
XOR #imm,R0	$R0 \wedge imm \rightarrow R0$	11001010iiiiiii	—	—
XOR.B #imm,@(R0,GBR)	$(R0 + GBR) \wedge imm \rightarrow (R0 + GBR)$	11001110iiiiiii	—	—

Table 7.6 Shift Instructions

Instruction		Operation	Instruction Code	Privileged	T Bit
ROTL	Rn	$T \leftarrow Rn \leftarrow \text{MSB}$	0100nnnn00000100	—	MSB
ROTR	Rn	$\text{LSB} \rightarrow Rn \rightarrow T$	0100nnnn00000101	—	LSB
ROTCL	Rn	$T \leftarrow Rn \leftarrow T$	0100nnnn00100100	—	MSB
ROTCR	Rn	$T \rightarrow Rn \rightarrow T$	0100nnnn00100101	—	LSB
SHAD	Rm,Rn	When $Rn \geq 0$, $Rn \ll Rm \rightarrow Rn$ When $Rn < 0$, $Rn \gg Rm \rightarrow$ [MSB \rightarrow Rn]	0100nnnnmmmm1100	—	—
SHAL	Rn	$T \leftarrow Rn \leftarrow 0$	0100nnnn00100000	—	MSB
SHAR	Rn	$\text{MSB} \rightarrow Rn \rightarrow T$	0100nnnn00100001	—	LSB
SHLD	Rm,Rn	When $Rn \geq 0$, $Rn \ll Rm \rightarrow Rn$ When $Rn < 0$, $Rn \gg Rm \rightarrow$ [0 \rightarrow Rn]	0100nnnnmmmm1101	—	—
SHLL	Rn	$T \leftarrow Rn \leftarrow 0$	0100nnnn00000000	—	MSB
SHLR	Rn	$0 \rightarrow Rn \rightarrow T$	0100nnnn00000001	—	LSB
SHLL2	Rn	$Rn \ll 2 \rightarrow Rn$	0100nnnn00001000	—	—
SHLR2	Rn	$Rn \gg 2 \rightarrow Rn$	0100nnnn00001001	—	—
SHLL8	Rn	$Rn \ll 8 \rightarrow Rn$	0100nnnn00011000	—	—
SHLR8	Rn	$Rn \gg 8 \rightarrow Rn$	0100nnnn00011001	—	—
SHLL16	Rn	$Rn \ll 16 \rightarrow Rn$	0100nnnn00101000	—	—
SHLR16	Rn	$Rn \gg 16 \rightarrow Rn$	0100nnnn00101001	—	—

Table 7.7 Branch Instructions

Instruction		Operation	Instruction Code	Privileged	T Bit
BF	label	When T = 0, $\text{disp} \times 2 + \text{PC} + 4 \rightarrow \text{PC}$ When T = 1, nop	10001011dddddddd	—	—
BF/S	label	Delayed branch; when T = 0, $\text{disp} \times 2 + \text{PC} + 4 \rightarrow \text{PC}$ When T = 1, nop	10001111dddddddd	—	—
BT	label	When T = 1, $\text{disp} \times 2 + \text{PC} + 4 \rightarrow \text{PC}$ When T = 0, nop	10001001dddddddd	—	—
BT/S	label	Delayed branch; when T = 1, $\text{disp} \times 2 + \text{PC} + 4 \rightarrow \text{PC}$ When T = 0, nop	10001101dddddddd	—	—
BRA	label	Delayed branch, $\text{disp} \times 2 + \text{PC} + 4 \rightarrow \text{PC}$	1010dddddddddddd	—	—
BRAF	Rn	Delayed branch, $\text{Rn} + \text{PC} + 4 \rightarrow \text{PC}$	0000nnnn00100011	—	—
BSR	label	Delayed branch, $\text{PC} + 4 \rightarrow \text{PR}$, $\text{disp} \times 2 + \text{PC} + 4 \rightarrow \text{PC}$	1011dddddddddddd	—	—
BSRF	Rn	Delayed branch, $\text{PC} + 4 \rightarrow \text{PR}$, $\text{Rn} + \text{PC} + 4 \rightarrow \text{PC}$	0000nnnn00000011	—	—
JMP	@Rn	Delayed branch, $\text{Rn} \rightarrow \text{PC}$	0100nnnn00101011	—	—
JSR	@Rn	Delayed branch, $\text{PC} + 4 \rightarrow \text{PR}$, $\text{Rn} \rightarrow \text{PC}$	0100nnnn00001011	—	—
RTS		Delayed branch, $\text{PR} \rightarrow \text{PC}$	0000000000001011	—	—

Table 7.8 System Control Instructions

Instruction		Operation	Instruction Code	Privileged	T Bit
CLRMAC		0 → MACH, MACL	0000000000101000	—	—
CLRS		0 → S	0000000001001000	—	—
CLRT		0 → T	0000000000001000	—	0
LDC	Rm,SR	Rm → SR	0100mmmm00001110	Privileged	LSB
LDC	Rm,GBR	Rm → GBR	0100mmmm00011110	—	—
LDC	Rm,VBR	Rm → VBR	0100mmmm00101110	Privileged	—
LDC	Rm,SSR	Rm → SSR	0100mmmm00111110	Privileged	—
LDC	Rm,SPC	Rm → SPC	0100mmmm01001110	Privileged	—
LDC	Rm,DBR	Rm → DBR	0100mmmm11111010	Privileged	—
LDC	Rm,Rn_BANK	Rm → Rn_BANK (n = 0 to 7)	0100mmmm1nnn1110	Privileged	—
LDC.L	@Rm+,SR	(Rm) → SR, Rm + 4 → Rm	0100mmmm00000111	Privileged	LSB
LDC.L	@Rm+,GBR	(Rm) → GBR, Rm + 4 → Rm	0100mmmm00010111	—	—
LDC.L	@Rm+,VBR	(Rm) → VBR, Rm + 4 → Rm	0100mmmm00100111	Privileged	—
LDC.L	@Rm+,SSR	(Rm) → SSR, Rm + 4 → Rm	0100mmmm00110111	Privileged	—
LDC.L	@Rm+,SPC	(Rm) → SPC, Rm + 4 → Rm	0100mmmm01000111	Privileged	—
LDC.L	@Rm+,DBR	(Rm) → DBR, Rm + 4 → Rm	0100mmmm11110110	Privileged	—
LDC.L	@Rm+,Rn_BANK	(Rm) → Rn_BANK, Rm + 4 → Rm	0100mmmm1nnn0111	Privileged	—
LDS	Rm,MACH	Rm → MACH	0100mmmm00001010	—	—
LDS	Rm,MACL	Rm → MACL	0100mmmm00011010	—	—
LDS	Rm,PR	Rm → PR	0100mmmm00101010	—	—
LDS.L	@Rm+,MACH	(Rm) → MACH, Rm + 4 → Rm	0100mmmm00000110	—	—
LDS.L	@Rm+,MACL	(Rm) → MACL, Rm + 4 → Rm	0100mmmm00010110	—	—
LDS.L	@Rm+,PR	(Rm) → PR, Rm + 4 → Rm	0100mmmm00100110	—	—
LDTLB		PTEH/PTEL → TLB	000000000111000	Privileged	—
MOVCA.L R0,@Rn		R0 → (Rn) (without fetching cache block)	0000nnnn11000011	—	—
NOP		No operation	000000000001001	—	—
OCBI	@Rn	Invalidates operand cache block	0000nnnn10010011	—	—
OCBP	@Rn	Writes back and invalidates operand cache block	0000nnnn10100011	—	—
OCBWB	@Rn	Writes back operand cache block	0000nnnn10110011	—	—
PREF	@Rn	(Rn) → operand cache	0000nnnn10000011	—	—
RTE		Delayed branch, SSR/SPC → SR/PC	000000000101011	Privileged	—

Table 7.8 System Control Instructions (cont)

Instruction		Operation	Instruction Code	Privileged	T Bit
SETS		1 → S	0000000001011000	—	—
SETT		1 → T	000000000011000	—	1
SLEEP		Sleep or standby	000000000011011	Privileged	—
STC	SR,Rn	SR → Rn	0000nnnn00000010	Privileged	—
STC	GBR,Rn	GBR → Rn	0000nnnn00010010	—	—
STC	VBR,Rn	VBR → Rn	0000nnnn00100010	Privileged	—
STC	SSR,Rn	SSR → Rn	0000nnnn00110010	Privileged	—
STC	SPC,Rn	SPC → Rn	0000nnnn01000010	Privileged	—
STC	SGR,Rn	SGR → Rn	0000nnnn00111010	Privileged	—
STC	DBR,Rn	DBR → Rn	0000nnnn11111010	Privileged	—
STC	Rm_BANK,Rn	Rm_BANK → Rn (m = 0 to 7)	0000nnnn1mmmm0010	Privileged	—
STC.L	SR,@-Rn	Rn - 4 → Rn, SR → (Rn)	0100nnnn00000011	Privileged	—
STC.L	GBR,@-Rn	Rn - 4 → Rn, GBR → (Rn)	0100nnnn00010011	—	—
STC.L	VBR,@-Rn	Rn - 4 → Rn, VBR → (Rn)	0100nnnn00100011	Privileged	—
STC.L	SSR,@-Rn	Rn - 4 → Rn, SSR → (Rn)	0100nnnn00110011	Privileged	—
STC.L	SPC,@-Rn	Rn - 4 → Rn, SPC → (Rn)	0100nnnn01000011	Privileged	—
STC.L	SGR,@-Rn	Rn - 4 → Rn, SGR → (Rn)	0100nnnn00110010	Privileged	—
STC.L	DBR,@-Rn	Rn - 4 → Rn, DBR → (Rn)	0100nnnn11110010	Privileged	—
STC.L	Rm_BANK,@-Rn	Rn - 4 → Rn, Rm_BANK → (Rn) (m = 0 to 7)	0100nnnn1mmmm0011	Privileged	—
STS	MACH,Rn	MACH → Rn	0000nnnn00001010	—	—
STS	MACL,Rn	MACL → Rn	0000nnnn00011010	—	—
STS	PR,Rn	PR → Rn	0000nnnn00101010	—	—
STS.L	MACH,@-Rn	Rn - 4 → Rn, MACH → (Rn)	0100nnnn00000010	—	—
STS.L	MACL,@-Rn	Rn - 4 → Rn, MACL → (Rn)	0100nnnn00010010	—	—
STS.L	PR,@-Rn	Rn - 4 → Rn, PR → (Rn)	0100nnnn00100010	—	—
TRAPA	#imm	PC + 2 → SPC, SR → SSR, #imm << 2 → TRA, H'160 → EXPEVT, VBR + H'0100 → PC	11000011iiiiiiii	—	—

Table 7.9 Floating-Point Single-Precision Instructions

Instruction		Operation	Instruction Code	Privileged	T Bit
FLDI0	FRn	H'00000000 → FRn	1111nnnn10001101	—	—
FLDI1	FRn	H'3F800000 → FRn	1111nnnn10011101	—	—
FMOV	FRm,FRn	FRm → FRn	1111nnnnmmmm1100	—	—
FMOV.S	@Rm,FRn	(Rm) → FRn	1111nnnnmmmm1000	—	—
FMOV.S	@(R0,Rm),FRn	(R0 + Rm) → FRn	1111nnnnmmmm0110	—	—
FMOV.S	@Rm+,FRn	(Rm) → FRn, Rm + 4 → Rm	1111nnnnmmmm1001	—	—
FMOV.S	FRm,@Rn	FRm → (Rn)	1111nnnnmmmm1010	—	—
FMOV.S	FRm,@-Rn	Rn-4 → Rn, FRm → (Rn)	1111nnnnmmmm1011	—	—
FMOV.S	FRm,@(R0,Rn)	FRm → (R0 + Rn)	1111nnnnmmmm0111	—	—
FMOV	DRm,DRn	DRm → DRn	1111nnn0mmmm01100	—	—
FMOV	@Rm,DRn	(Rm) → DRn	1111nnn0mmmm1000	—	—
FMOV	@(R0,Rm),DRn	(R0 + Rm) → DRn	1111nnn0mmmm0110	—	—
FMOV	@Rm+,DRn	(Rm) → DRn, Rm + 8 → Rm	1111nnn0mmmm1001	—	—
FMOV	DRm,@Rn	DRm → (Rn)	1111nnnnmmmm01010	—	—
FMOV	DRm,@-Rn	Rn-8 → Rn, DRm → (Rn)	1111nnnnmmmm01011	—	—
FMOV	DRm,@(R0,Rn)	DRm → (R0 + Rn)	1111nnnnmmmm00111	—	—
FLDS	FRm,FPUL	FRm → FPUL	1111mmmm00011101	—	—
FSTS	FPUL,FRn	FPUL → FRn	1111nnnn00001101	—	—
FABS	FRn	FRn & H'7FFF FFFF → FRn	1111nnnn01011101	—	—
FADD	FRm,FRn	FRn + FRm → FRn	1111nnnnmmmm0000	—	—
FCMP/EQ	FRm,FRn	When FRn = FRm, 1 → T Otherwise, 0 → T	1111nnnnmmmm0100	—	Comparison result
FCMP/GT	FRm,FRn	When FRn > FRm, 1 → T Otherwise, 0 → T	1111nnnnmmmm0101	—	Comparison result
FDIV	FRm,FRn	FRn/FRm → FRn	1111nnnnmmmm0011	—	—
FLOAT	FPUL,FRn	(float) FPUL → FRn	1111nnnn00101101	—	—
FMAC	FR0,FRm,FRn	FR0 * FRm + FRn → FRn	1111nnnnmmmm1110	—	—
FMUL	FRm,FRn	FRn * FRm → FRn	1111nnnnmmmm0010	—	—
FNEG	FRn	FRn ^ H'80000000 → FRn	1111nnnn01001101	—	—
FSQRT	FRn	\sqrt{FRn} → FRn	1111nnnn01101101	—	—
FSUB	FRm,FRn	FRn – FRm → FRn	1111nnnnmmmm0001	—	—
FTRC	FRm,FPUL	(long) FRm → FPUL	1111mmmm00111101	—	—

Table 7.10 Floating-Point Double-Precision Instructions

Instruction		Operation	Instruction Code	Privileged	T Bit
FABS	DRn	DRn & H'7FFF FFFF FFFF FFFF → DRn	1111nnn0010111101	—	—
FADD	DRm,DRn	DRn + DRm → DRn	1111nnn0mmmm00000	—	—
FCMP/EQ	DRm,DRn	When DRn = DRm, 1 → T Otherwise, 0 → T	1111nnn0mmmm00100	—	Comparison result
FCMP/GT	DRm,DRn	When DRn > DRm, 1 → T Otherwise, 0 → T	1111nnn0mmmm00101	—	Comparison result
FDIV	DRm,DRn	DRn /DRm → DRn	1111nnn0mmmm00011	—	—
FCNVDS	DRm,FPUL	double_to_float[DRm] → FPUL	1111mmmm010111101	—	—
FCNVSD	FPUL,DRn	float_to_double [FPUL] → DRn	1111nnn010101101	—	—
FLOAT	FPUL,DRn	(float)FPUL → DRn	1111nnn000101101	—	—
FMUL	DRm,DRn	DRn * DRm → DRn	1111nnn0mmmm00010	—	—
FNEG	DRn	DRn ^ H'8000 0000 0000 0000 → DRn	1111nnn001001101	—	—
FSQRT	DRn	$\sqrt{\text{DRn}}$ → DRn	1111nnn001101101	—	—
FSUB	DRm,DRn	DRn - DRm → DRn	1111nnn0mmmm00001	—	—
FTRC	DRm,FPUL	(long) DRm → FPUL	1111mmmm000111101	—	—

Table 7.11 Floating-Point Control Instructions

Instruction		Operation	Instruction Code	Privileged	T Bit
LDS	Rm,FPSCR	Rm → FPSCR	0100mmmm01101010	—	—
LDS	Rm,FPUL	Rm → FPUL	0100mmmm01011010	—	—
LDS.L	@Rm+,FPSCR	(Rm) → FPSCR, Rm+4 → Rm	0100mmmm01100110	—	—
LDS.L	@Rm+,FPUL	(Rm) → FPUL, Rm+4 → Rm	0100mmmm01010110	—	—
STS	FPSCR,Rn	FPSCR → Rn	0000nnnn01101010	—	—
STS	FPUL,Rn	FPUL → Rn	0000nnnn01011010	—	—
STS.L	FPSCR,@-Rn	Rn - 4 → Rn, FPSCR → (Rn)	0100nnnn01100010	—	—
STS.L	FPUL,@-Rn	Rn - 4 → Rn, FPUL → (Rn)	0100nnnn01010010	—	—

Table 7.12 Floating-Point Graphics Acceleration Instructions

Instruction	Operation	Instruction Code	Privileged	T Bit
FMOV DRm, XDn	DRm → XDn	1111nnn1mmm01100	—	—
FMOV XDm, DRn	XDm → DRn	1111nnn0mmm11100	—	—
FMOV XDm, XDn	XDm → XDn	1111nnn1mmm11100	—	—
FMOV @Rm, XDn	(Rm) → XDn	1111nnn1mmmm1000	—	—
FMOV @Rm+, XDn	(Rm) → XDn, Rm + 8 → Rm	1111nnn1mmmm1001	—	—
FMOV @(R0,Rm), XDn	(R0 + Rm) → XDn	1111nnn1mmmm0110	—	—
FMOV XDm, @Rn	XDm → (Rn)	1111nnnnmmmm11010	—	—
FMOV XDm, @-Rn	Rn - 8 → Rn, XDm → (Rn)	1111nnnnmmmm11011	—	—
FMOV XDm, @(R0,Rn)	XDm → (R0+Rn)	1111nnnnmmmm10111	—	—
FIPR FVm, FVn	inner_product [FVm, FVn] → FR[n+3]	1111nnmm11101101	—	—
FTRV XMTRX, FVn	transform_vector [XMTRX, FVn] → FVn	1111nn0111111101	—	—
FRCHG	~FPSCR.FR → SPFCR.FR	1111101111111101	—	—
FSCHG	~FPSCR.SZ → SPFCR.SZ	1111001111111101	—	—

Section 8 Pipelining

The SH7750 Series is a 2-ILP (instruction-level-parallelism) superscalar pipelining microprocessor. Instruction execution is pipelined, and two instructions can be executed in parallel. The execution cycles depend on the implementation of a processor. Definitions in this section may not be applicable to SH-4 Series models other than the SH7750 Series.

8.1 Pipelines

Figure 8.1 shows the basic pipelines. Normally, a pipeline consists of five or six stages: instruction fetch (I), decode and register read (D), execution (EX/SX/F0/F1/F2/F3), data access (NA/MA), and write-back (S/FS). An instruction is executed as a combination of basic pipelines. Figure 8.2 shows the instruction execution patterns.

1. General Pipeline

I	D	EX	NA	S
<ul style="list-style-type: none"> • Instruction fetch 	<ul style="list-style-type: none"> • Instruction decode • Issue • Register read • Destination address calculation for PC-relative branch 	<ul style="list-style-type: none"> • Operation 	<ul style="list-style-type: none"> • Non-memory data access 	<ul style="list-style-type: none"> • Write-back

2. General Load/Store Pipeline

I	D	EX	MA	S
<ul style="list-style-type: none"> • Instruction fetch 	<ul style="list-style-type: none"> • Instruction decode • Issue • Register read 	<ul style="list-style-type: none"> • Address calculation 	<ul style="list-style-type: none"> • Memory data access 	<ul style="list-style-type: none"> • Write-back

3. Special Pipeline

I	D	SX	NA	S
<ul style="list-style-type: none"> • Instruction fetch 	<ul style="list-style-type: none"> • Instruction decode • Issue • Register read 	<ul style="list-style-type: none"> • Operation 	<ul style="list-style-type: none"> • Non-memory data access 	<ul style="list-style-type: none"> • Write-back

4. Special Load/Store Pipeline

I	D	SX	MA	S
<ul style="list-style-type: none"> • Instruction fetch 	<ul style="list-style-type: none"> • Instruction decode • Issue • Register read 	<ul style="list-style-type: none"> • Address calculation 	<ul style="list-style-type: none"> • Memory data access 	<ul style="list-style-type: none"> • Write-back

5. Floating-Point Pipeline

I	D	F1	F2	FS
<ul style="list-style-type: none"> • Instruction fetch 	<ul style="list-style-type: none"> • Instruction decode • Issue • Register read 	<ul style="list-style-type: none"> • Computation 1 	<ul style="list-style-type: none"> • Computation 2 	<ul style="list-style-type: none"> • Computation 3 • Write-back

6. Floating-Point Extended Pipeline

I	D	F0	F1	F2	FS
<ul style="list-style-type: none"> • Instruction fetch 	<ul style="list-style-type: none"> • Instruction decode • Issue • Register read 	<ul style="list-style-type: none"> • Computation 0 	<ul style="list-style-type: none"> • Computation 1 	<ul style="list-style-type: none"> • Computation 2 	<ul style="list-style-type: none"> • Computation 3 • Write-back

7. FDIV/FSQRT Pipeline

F3
F3

Computation: Takes several cycles

Figure 8.1 Basic Pipelines

1. 1-step operation: 1 issue cycle
 EXT[SU].[BW], MOV, MOV#, MOVA, MOV#T, SWAP.[BW], XTRCT, ADD*, CMP*, DIV*, DT, NEG*, SUB*, AND, AND#, NOT, OR, OR#, TST, TST#, XOR, XOR#, ROT*, SHA*, SHL*, BF*, BT*, BRA, NOP, CLRS, CLRT, SETS, SETT, LDS to FPUL, STS from FPUL/FPSCR, FLDI0, FLDI1, FMOV, FLDS, FSTS, single-/double-precision FABS/FNEG

I	D	EX	NA	S
---	---	----	----	---

2. Load/store: 1 issue cycle
 MOV.[BWL]. FMOV*@[, LDS.L to FPUL, LDTLB, PREF, STS.L from FPUL/FPSCR

I	D	EX	MA	S
---	---	----	----	---

3. GBR-based load/store: 1 issue cycle
 MOV.[BWL]@(d,GBR)

I	D	SX	MA	S
---	---	----	----	---

4. JMP, RTS, BRAF: 2 issue cycles

I	D	EX	NA	S	
		D	EX	NA	S

5. TST.B: 3 issue cycles

I	D	SX	MA	S		
		D	SX	NA	S	
			D	SX	NA	S

6. AND.B, OR.B, XOR.B: 4 issue cycles

I	D	SX	MA	S			
		D	SX	NA	S		
			D	SX	NA	S	
				D	SX	MA	S

7. TAS.B: 5 issue cycles

I	D	EX	MA	S				
		D	EX	MA	S			
			D	EX	NA	S		
				D	EX	NA	S	
					D	EX	MA	S

8. RTE: 5 issue cycles

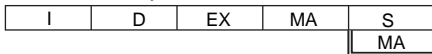
I	D	EX	NA	S				
		D	EX	NA	S			
			D	EX	NA	S		
				D	EX	NA	S	
					D	EX	NA	S

9. SLEEP: 4 issue cycles

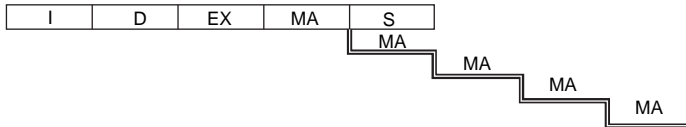
I	D	EX	NA	S			
		D	EX	NA	S		
			D	EX	NA	S	
				D	EX	NA	S

Figure 8.2 Instruction Execution Patterns

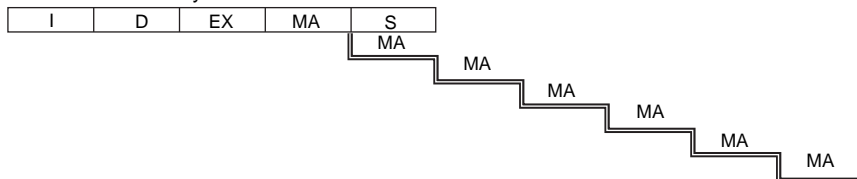
10. OCBI: 1 issue cycle



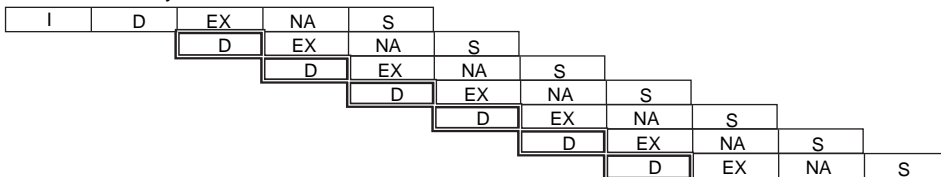
11. OCBP, OCBWB: 1 issue cycle



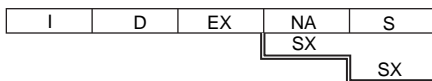
12. MOVCA.L: 1 issue cycle



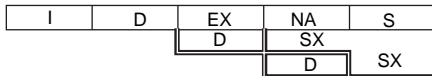
13. TRAPA: 7 issue cycles



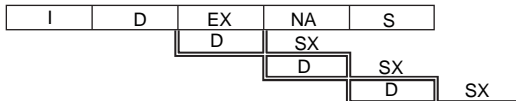
14. LDC to DBR/Rp_BANK/SSR/SPC/VBR, BSR: 1 issue cycle



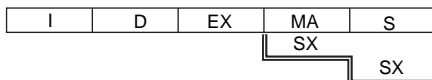
15. LDC to GBR: 3 issue cycles



16. LDC to SR: 4 issue cycles



17. LDC.L to DBR/Rp_BANK/SSR/SPC/VBR: 1 issue cycle



18. LDC.L to GBR: 3 issue cycles

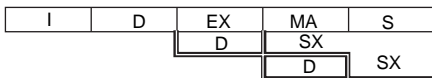
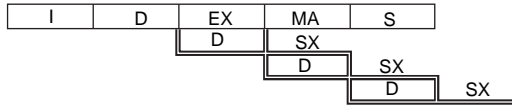
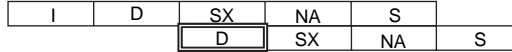


Figure 8.2 Instruction Execution Patterns (cont)

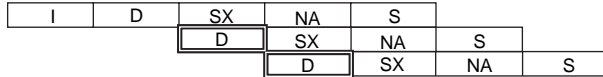
19. LDC.L to SR: 4 issue cycles



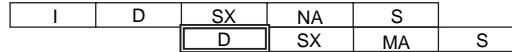
20. STC from DBR/GBR/Rp_BANK/SR/SSR/SPC/VBR: 2 issue cycles



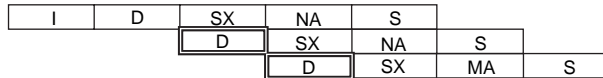
21. STC.L from SGR: 3 issue cycles



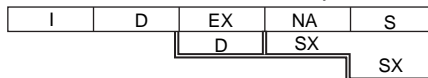
22. STC.L from DBR/GBR/Rp_BANK/SR/SSR/SPC/VBR: 2 issue cycles



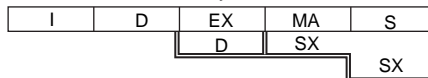
23. STC.L from SGR: 3 issue cycles



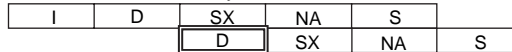
24. LDS to PR, JSR, BSRF: 2 issue cycles



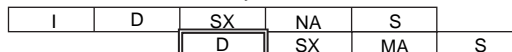
25. LDS.L to PR: 2 issue cycles



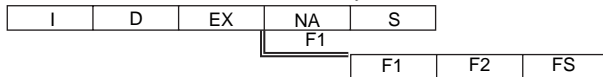
26. STS from PR: 2 issue cycles



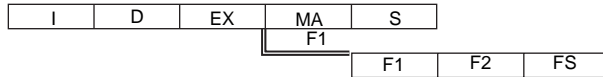
27. STS.L from PR: 2 issue cycles



28. CLRMAC, LDS to MACH/L: 1 issue cycle



29. LDS.L to MACH/L: 1 issue cycle



30. STS from MACH/L: 1 issue cycle

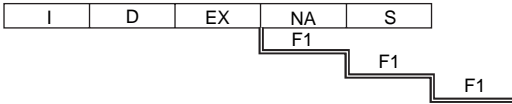


Figure 8.2 Instruction Execution Patterns (cont)

31. STS.L from MACH/L: 1 issue cycle



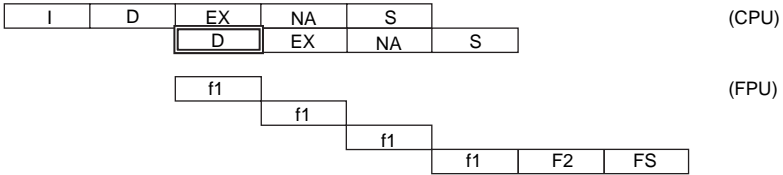
32. LDS to FPSCR: 1 issue cycle



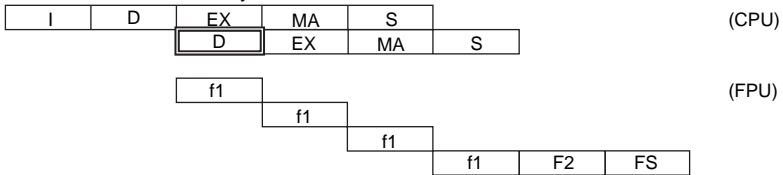
33. LDS.L to FPSCR: 1 issue cycle



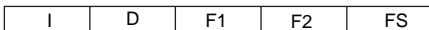
34. Fixed-point multiplication: 2 issue cycles
DMULS.L, DMULU.L, MUL.L, MULS.W, MULU.W



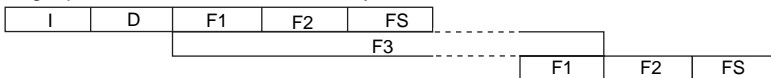
35. MAC.W, MAC.L: 2 issue cycles



36. Single-precision floating-point computation: 1 issue cycle
FCMP/EQ,FCMP/GT, FADD,FLOAT,FMAC,FMUL,FSUB,FTRC,FRCHG,FSCHG



37. Single-precision FDIV/SQRT: 1 issue cycle



38. Double-precision floating-point computation 1: 1 issue cycle
FCNVDS, FCNVSD, FLOAT, FTRC



39. Double-precision floating-point computation 2: 1 issue cycle
FADD, FMUL, FSUB

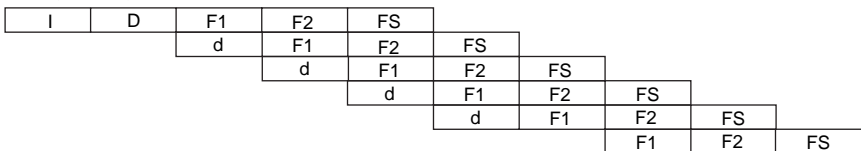


Figure 8.2 Instruction Execution Patterns (cont)

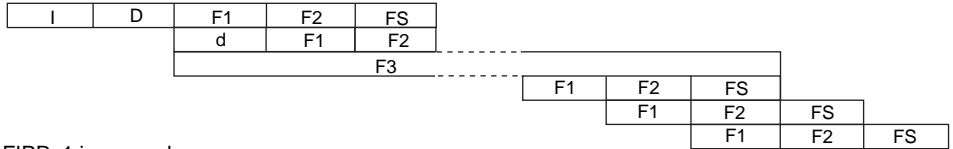
40. Double-precision FCMP: 2 issue cycles

FCMP/EQ,FCMP/GT

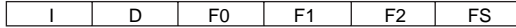


41. Double-precision FDIV/SQRT: 1 issue cycle

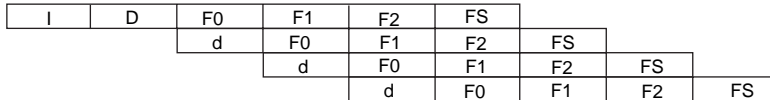
FDIV, FSQRT



42. FIPR: 1 issue cycle



43. FTRV: 1 issue cycle



Notes:

??

 : Cannot overlap a stage of the same kind, except when two instructions are executed in parallel.

D

 : Locks D-stage

d

 : Register read only

??

 : Locks, but no operation is executed.

f1

 : Can overlap another f1, but not another F1.

Figure 8.2 Instruction Execution Patterns (cont)

8.2 Parallel-Executability

Instructions are categorized into six groups according to the internal function blocks used, as shown in table 8.1. Table 8.2 shows the parallel-executability of pairs of instructions in terms of groups. For example, ADD in the EX group and BRA in the BR group can be executed in parallel.

Table 8.1 Instruction Groups

1. MT Group

CLRT		CMP/HI	Rm,Rn	MOV	Rm,Rn
CMP/EQ	#imm,R0	CMP/HS	Rm,Rn	NOP	
CMP/EQ	Rm,Rn	CMP/PL	Rn	SETT	
CMP/GE	Rm,Rn	CMP/PZ	Rn	TST	#imm,R0
CMP/GT	Rm,Rn	CMP/STR	Rm,Rn	TST	Rm,Rn

2. EX Group

ADD	#imm,Rn	MOVT	Rn	SHLL2	Rn
ADD	Rm,Rn	NEG	Rm,Rn	SHLL8	Rn
ADDC	Rm,Rn	NEGC	Rm,Rn	SHLR	Rn
ADDV	Rm,Rn	NOT	Rm,Rn	SHLR16	Rn
AND	#imm,R0	OR	#imm,R0	SHLR2	Rn
AND	Rm,Rn	OR	Rm,Rn	SHLR8	Rn
DIV0S	Rm,Rn	ROTCL	Rn	SUB	Rm,Rn
DIV0U		ROTCLR	Rn	SUBC	Rm,Rn
DIV1	Rm,Rn	ROTL	Rn	SUBV	Rm,Rn
DT	Rn	ROTR	Rn	SWAP.B	Rm,Rn
EXTS.B	Rm,Rn	SHAD	Rm,Rn	SWAP.W	Rm,Rn
EXTS.W	Rm,Rn	SHAL	Rn	XOR	#imm,R0
EXTU.B	Rm,Rn	SHAR	Rn	XOR	Rm,Rn
EXTU.W	Rm,Rn	SHLD	Rm,Rn	XTRCT	Rm,Rn
MOV	#imm,Rn	SHLL	Rn		
MOVA	@(disp,PC),R0	SHLL16	Rn		

3. BR Group

BF	disp	BRA	disp	BT	disp
BF/S	disp	BSR	disp	BT/S	disp

Table 8.1 Instruction Groups (cont)

4. LS Group

FABS	DRn	FMOV.S	@Rm+,FRn	MOV.L	R0,@(disp,GBR)
FABS	FRn	FMOV.S	FRm,@(R0,Rn)	MOV.L	Rm,@(disp,Rn)
FLDI0	FRn	FMOV.S	FRm,@-Rn	MOV.L	Rm,@(R0,Rn)
FLDI1	FRn	FMOV.S	FRm,@Rn	MOV.L	Rm,@-Rn
FLDS	FRm,FPUL	FNEG	DRn	MOV.L	Rm,@Rn
FMOV	@(R0,Rm),DRn	FNEG	FRn	MOV.W	@(disp,GBR),R0
FMOV	@(R0,Rm),XDn	FSTS	FPUL,FRn	MOV.W	@(disp,PC),Rn
FMOV	@Rm,DRn	LDS	Rm,FPUL	MOV.W	@(disp,Rm),R0
FMOV	@Rm,XDn	MOV.B	@(disp,GBR),R0	MOV.W	@(R0,Rm),Rn
FMOV	@Rm+,DRn	MOV.B	@(disp,Rm),R0	MOV.W	@Rm,Rn
FMOV	@Rm+,XDn	MOV.B	@(R0,Rm),Rn	MOV.W	@Rm+,Rn
FMOV	DRm,@(R0,Rn)	MOV.B	@Rm,Rn	MOV.W	R0,@(disp,GBR)
FMOV	DRm,@-Rn	MOV.B	@Rm+,Rn	MOV.W	R0,@(disp,Rn)
FMOV	DRm,@Rn	MOV.B	R0,@(disp,GBR)	MOV.W	Rm,@(R0,Rn)
FMOV	DRm,DRn	MOV.B	R0,@(disp,Rn)	MOV.W	Rm,@-Rn
FMOV	DRm,XDn	MOV.B	Rm,@(R0,Rn)	MOV.W	Rm,@Rn
FMOV	FRm,FRn	MOV.B	Rm,@-Rn	MOVCA.L	R0,@Rn
FMOV	XDm,@(R0,Rn)	MOV.B	Rm,@Rn	OCBI	@Rn
FMOV	XDm,@-Rn	MOV.L	@(disp,GBR),R0	OCBP	@Rn
FMOV	XDm,@Rn	MOV.L	@(disp,PC),Rn	OCBWB	@Rn
FMOV	XDm,DRn	MOV.L	@(disp,Rm),Rn	PREF	@Rn
FMOV	XDm,XDn	MOV.L	@(R0,Rm),Rn	STS	FPUL,Rn
FMOV.S	@(R0,Rm),FRn	MOV.L	@Rm,Rn		
FMOV.S	@Rm,FRn	MOV.L	@Rm+,Rn		

Table 8.1 Instruction Groups (cont)**5. FE Group**

FADD	DRm,DRn	FIPR	FVm,FVn	FSQRT	DRn
FADD	FRm,FRn	FLOAT	FPUL,DRn	FSQRT	FRn
FCMP/EQ	FRm,FRn	FLOAT	FPUL,FRn	FSUB	DRm,DRn
FCMP/GT	FRm,FRn	FMAC	FR0,FRm,FRn	FSUB	FRm,FRn
FCNVDS	DRm,FPUL	FMUL	DRm,DRn	FTRC	DRm,FPUL
FCNVSD	FPUL,DRn	FMUL	FRm,FRn	FTRC	FRm,FPUL
FDIV	DRm,DRn	FRCHG		FTRV	XMTRX,FVn
FDIV	FRm,FRn	FSCHG			

Table 8.1 Instruction Groups (cont)

6. CO Group

AND.B	#imm,@(R0,GBR)	LDS	Rm,FPSCR	STC	SR,Rn
BRAF	Rm	LDS	Rm,MACH	STC	SSR,Rn
BSRF	Rm	LDS	Rm,MACL	STC	VBR,Rn
CLRMAC		LDS	Rm,PR	STC.L	DBR,@-Rn
CLRS		LDS.L	@Rm+,FPSCR	STC.L	GBR,@-Rn
DMULS.L	Rm,Rn	LDS.L	@Rm+,FPUL	STC.L	Rp_BANK,@-Rn
DMULU.L	Rm,Rn	LDS.L	@Rm+,MACH	STC.L	SGR,@-Rn
FCMP/EQ	DRm,DRn	LDS.L	@Rm+,MACL	STC.L	SPC,@-Rn
FCMP/GT	DRm,DRn	LDS.L	@Rm+,PR	STC.L	SR,@-Rn
JMP	@Rn	LDTLB		STC.L	SSR,@-Rn
JSR	@Rn	MAC.L	@Rm+,@Rn+	STC.L	VBR,@-Rn
LDC	Rm,DBR	MAC.W	@Rm+,@Rn+	STS	FPSCR,Rn
LDC	Rm,GBR	MUL.L	Rm,Rn	STS	MACH,Rn
LDC	Rm,Rp_BANK	MULS.W	Rm,Rn	STS	MACL,Rn
LDC	Rm,SPC	MULU.W	Rm,Rn	STS	PR,Rn
LDC	Rm,SR	OR.B	#imm,@(R0,GBR)	STS.L	FPSCR,@-Rn
LDC	Rm,SSR	RTE		STS.L	FPUL,@-Rn
LDC	Rm,VBR	RTS		STS.L	MACH,@-Rn
LDC.L	@Rm+,DBR	SETS		STS.L	MACL,@-Rn
LDC.L	@Rm+,GBR	SLEEP		STS.L	PR,@-Rn
LDC.L	@Rm+,Rp_BANK	STC	DBR,Rn	TAS.B	@Rn
LDC.L	@Rm+,SPC	STC	GBR,Rn	TRAPA	#imm
LDC.L	@Rm+,SR	STC	Rp_BANK,Rn	TST.B	#imm,@(R0,GBR)
LDC.L	@Rm+,SSR	STC	SGR,Rn	XOR.B	#imm,@(R0,GBR)
LDC.L	@Rm+,VBR	STC	SPC,Rn		

Table 8.2 Parallel-Executability

		2nd Instruction					
		MT	EX	BR	LS	FE	CO
1st Instruction	MT	O	O	O	O	O	X
	EX	O	X	O	O	O	X
	BR	O	O	X	O	O	X
	LS	O	O	O	X	O	X
	FE	O	O	O	O	X	X
	CO	X	X	X	X	X	X

O: Can be executed in parallel

X: Cannot be executed in parallel

8.3 Execution Cycles and Pipeline Stalling

There are three basic clocks in this processor: the I-clock, B-clock, and P-clock. Each hardware unit operates on one of these clocks, as follows:

- I-clock: CPU, FPU, MMU, caches
- B-clock: External bus controller
- P-clock: Peripheral units

The frequency ratios of the three clocks are determined with the frequency control register (FRQCR). In this section, machine cycles are based on the I-clock unless otherwise specified. For details of FRQCR, see section 10, Clock Oscillation Circuits.

Instruction execution cycles are summarized in table 8.3. Penalty cycles due to a pipeline stall or freeze are not considered in this table.

- Issue rate: Interval between the issue of an instruction and that of the next instruction
- Latency: Interval between the issue of an instruction and the generation of its result (completion)
- Instruction execution pattern (see figure 8.2)
- Locked pipeline stages (see table 8.3)
- Interval between the issue of an instruction and the start of locking (see table 8.3)
- Lock time: Period of locking in machine cycle units (see table 8.3)

The instruction execution sequence is expressed as a combination of the execution patterns shown in figure 8.2. One instruction is separated from the next by the number of machine cycles for its issue rate. Normally, execution, data access, and write-back stages cannot be overlapped onto the same stages of another instruction; the only exception is when two instructions are executed in parallel under parallel-executability conditions. Refer to (a) through (d) in figure 8.3 for some simple examples.

Latency is the interval between issue and completion of an instruction, and is also the interval between the execution of two instructions with an interdependent relationship. When there is interdependency between two instructions fetched simultaneously, the latter of the two is stalled for the following number of cycles:

- (Latency) cycles when there is flow dependency (read-after-write)
- (Latency - 1) or (latency - 2) cycles when there is output dependency (write-after-write)
 - Single/double-precision FDN, FSQRT is the preceding instruction (latency - 1) cycles
 - The other FE group is the preceding instruction (latency - 2) cycles
- 5 or 2 cycles when there is anti-flow dependency (write-after-read), as in the following cases:
 - FTRV is the preceding instruction (5 cycle)
 - A double-precision FADD, FSUB, or FMUL is the preceding instruction (2 cycles)

In the case of flow dependency, latency may be exceptionally increased or decreased, depending on the combination of sequential instructions (figure 8.3 (e)).

- When a floating-point (FP) computation is followed by an FP register store, the latency of the FP computation may be decreased by 1 cycle.
- If there is a load of the shift amount immediately before an SHAD/SHLD instruction, the latency of the load is increased by 1 cycle.
- If an instruction with a latency of less than 2 cycles, including write-back to an FP register, is followed by a double-precision FP instruction, FIPR, or FTRV, the latency of the first instruction is increased to 2 cycles.

The number of cycles in a pipeline stall due to flow dependency will vary depending on the combination of interdependent instructions or the fetch timing (see figure 8.3. (e)).

Output dependency occurs when the destination operands are the same in a preceding FE group instruction and a following LS group instruction.

For the stall cycles of an instruction with output dependency, the longest latency to the last write-back among all the destination operands must be applied instead of “latency” (see figure 8.3 (f)). A stall due to output dependency with respect to FPSCR, which reflects the result of an FP operation, never occurs. For example, when FADD follows FDIV with no dependency between FP registers, FADD is not stalled even if both instructions update the cause field of FPSCR.

Anti-flow dependency can occur only between a preceding double-precision FADD, FMUL, FSUB, or FTRV and a following FMOV, FLDI0, FLDI1, FABS, FNEG, or FSTS. See figure 8.3 (g).

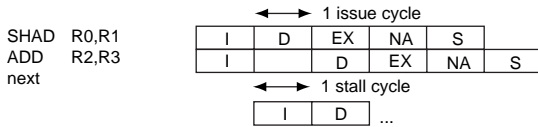
If an executing instruction locks any resource—i.e. a function block that performs a basic operation—a following instruction that happens to attempt to use the locked resource must be stalled (figure 8.3 (h)). This kind of stall can be compensated by inserting one or more instructions independent of the locked resource to separate the interfering instructions. For example, when a load instruction and an ADD instruction that references the loaded value are consecutive, the 2-cycle stall of the ADD is eliminated by inserting three instructions without dependency. Software performance can be improved by such instruction scheduling.

Other penalties arise in the event of exceptions or external data accesses, as follows.

- Instruction TLB miss
- Instruction access to external memory (instruction cache miss, etc.)
- Data access to external memory (operand cache miss, etc.)
- Data access to a memory-mapped control register.

During the penalty cycles of an instruction TLB miss or external instruction access, no instruction is issued, but execution of instructions that have already been issued continues. The penalty for a data access is a pipeline freeze: that is, the execution of uncompleted instructions is interrupted until the arrival of the requested data. The number of penalty cycles for instruction and data accesses is largely dependent on the user's memory subsystems.

(a) Serial execution: non-parallel-executable instructions



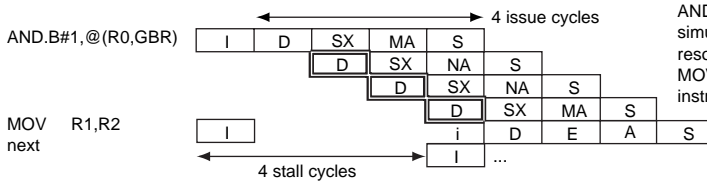
EX-group SHAD and EX-group ADD cannot be executed in parallel. Therefore, SHAD is issued first, and the following ADD is recombined with the next instruction.

(b) Parallel execution: parallel-executable and no dependency



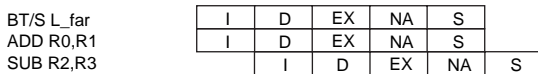
EX-group ADD and LS-group MOV.L can be executed in parallel. Overlapping of stages in the 2nd instruction is possible.

(c) Issue rate: multi-step instruction

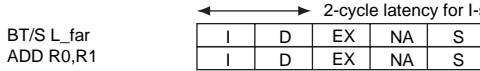


AND.B and MOV are fetched simultaneously, but MOV is stalled due to resource locking. After the lock is released, MOV is refetched together with the next instruction.

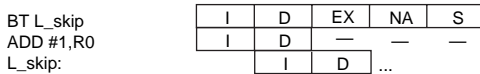
(d) Branch



No stall occurs if the branch is not taken.



If the branch is taken, the I-stage of the branch destination is stalled for the period of latency. This stall can be covered with a delay slot instruction which is not parallel-executable with the branch instruction.



Even if the BT/BF branch is taken, the I-stage of the branch destination is not stalled if the displacement is zero.

No stall

Figure 8.3 Examples of Pipelined Execution

(e) Flow dependency

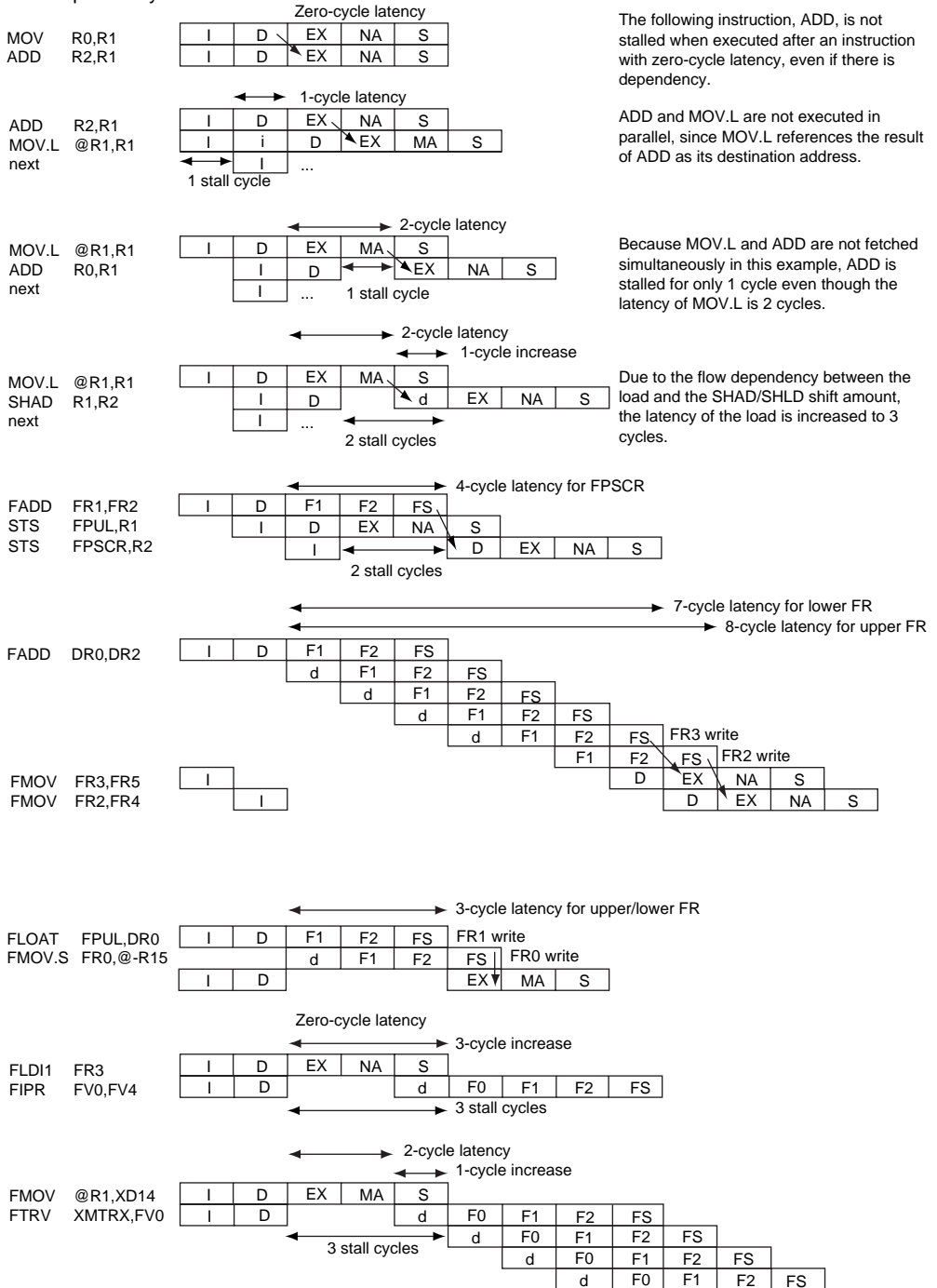
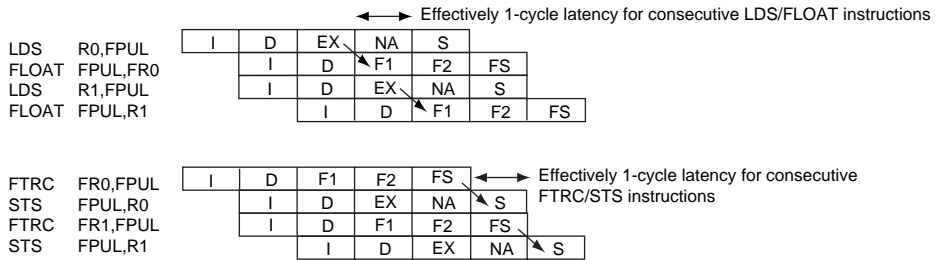
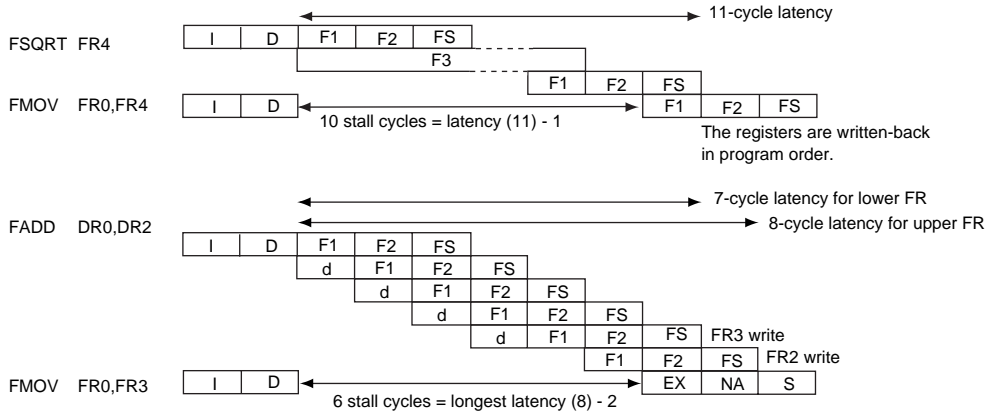


Figure 8.3 Examples of Pipelined Execution (cont)

(e) Flow dependency (cont)



(f) Output dependency



(g) Anti-flow dependency

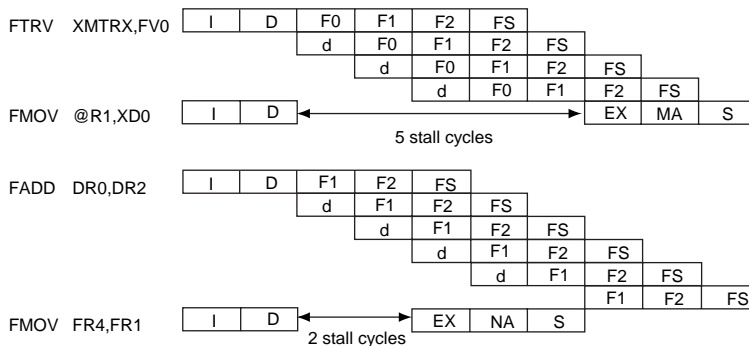


Figure 8.3 Examples of Pipelined Execution (cont)

(h) Resource conflict

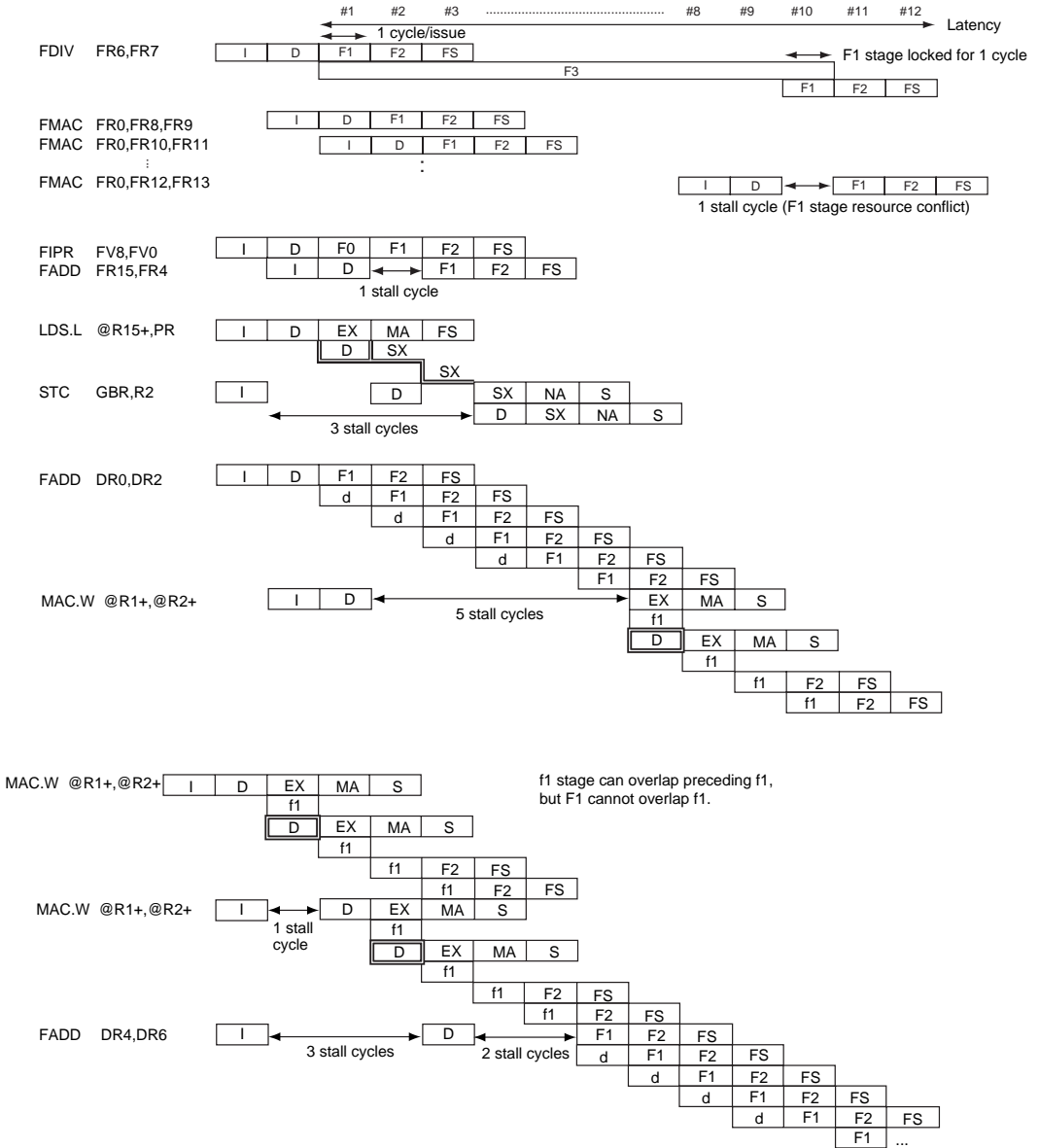


Figure 8.3 Examples of Pipelined Execution (cont)

Table 8.3 Execution Cycles

Functional Category	No.	Instruction	Instruc- tion Group	Issue Rate	Latency	Execu- tion Pattern	Lock		
							Stage	Start	Cycles
Data transfer instructions	1	EXTS.B Rm,Rn	EX	1	1	#1	—	—	—
	2	EXTS.W Rm,Rn	EX	1	1	#1	—	—	—
	3	EXTU.B Rm,Rn	EX	1	1	#1	—	—	—
	4	EXTU.W Rm,Rn	EX	1	1	#1	—	—	—
	5	MOV Rm,Rn	MT	1	0	#1	—	—	—
	6	MOV #imm,Rn	EX	1	1	#1	—	—	—
	7	MOVA @(disp,PC),R0	EX	1	1	#1	—	—	—
	8	MOV.W @(disp,PC),Rn	LS	1	2	#2	—	—	—
	9	MOV.L @(disp,PC),Rn	LS	1	2	#2	—	—	—
	10	MOV.B @Rm,Rn	LS	1	2	#2	—	—	—
	11	MOV.W @Rm,Rn	LS	1	2	#2	—	—	—
	12	MOV.L @Rm,Rn	LS	1	2	#2	—	—	—
	13	MOV.B @Rm+,Rn	LS	1	1/2	#2	—	—	—
	14	MOV.W @Rm+,Rn	LS	1	1/2	#2	—	—	—
	15	MOV.L @Rm+,Rn	LS	1	1/2	#2	—	—	—
	16	MOV.B @(disp,Rm),R0	LS	1	2	#2	—	—	—
	17	MOV.W @(disp,Rm),R0	LS	1	2	#2	—	—	—
	18	MOV.L @(disp,Rm),Rn	LS	1	2	#2	—	—	—
	19	MOV.B @(R0,Rm),Rn	LS	1	2	#2	—	—	—
	20	MOV.W @(R0,Rm),Rn	LS	1	2	#2	—	—	—
	21	MOV.L @(R0,Rm),Rn	LS	1	2	#2	—	—	—
	22	MOV.B @(disp,GBR),R0	LS	1	2	#3	—	—	—
	23	MOV.W @(disp,GBR),R0	LS	1	2	#3	—	—	—
	24	MOV.L @(disp,GBR),R0	LS	1	2	#3	—	—	—
	25	MOV.B Rm,@Rn	LS	1	1	#2	—	—	—
	26	MOV.W Rm,@Rn	LS	1	1	#2	—	—	—
	27	MOV.L Rm,@Rn	LS	1	1	#2	—	—	—
	28	MOV.B Rm,@-Rn	LS	1	1/1	#2	—	—	—
	29	MOV.W Rm,@-Rn	LS	1	1/1	#2	—	—	—
	30	MOV.L Rm,@-Rn	LS	1	1/1	#2	—	—	—
	31	MOV.B R0,@(disp,Rn)	LS	1	1	#2	—	—	—

Table 8.3 Execution Cycles (cont)

Functional Category	No.	Instruction	Instruction Group	Issue Rate	Latency	Execution Pattern	Lock		
							Stage	Start	Cycles
Data transfer instructions	32	MOV.W R0,@(disp,Rn)	LS	1	1	#2	—	—	—
	33	MOV.L Rm,@(disp,Rn)	LS	1	1	#2	—	—	—
	34	MOV.B Rm,@(R0,Rn)	LS	1	1	#2	—	—	—
	35	MOV.W Rm,@(R0,Rn)	LS	1	1	#2	—	—	—
	36	MOV.L Rm,@(R0,Rn)	LS	1	1	#2	—	—	—
	37	MOV.B R0,@(disp,GBR)	LS	1	1	#3	—	—	—
	38	MOV.W R0,@(disp,GBR)	LS	1	1	#3	—	—	—
	39	MOV.L R0,@(disp,GBR)	LS	1	1	#3	—	—	—
	40	MOVCA.L R0,@Rn	LS	1	3–7	#12	MA	4	3–7
	41	MOVT Rn	EX	1	1	#1	—	—	—
	42	OCBI @Rn	LS	1	1–2	#10	MA	4	1–2
	43	OCBP @Rn	LS	1	1–5	#11	MA	4	1–5
	44	OCBWB @Rn	LS	1	1–5	#11	MA	4	1–5
	45	PREF @Rn	LS	1	1	#2	—	—	—
	46	SWAP.B Rm,Rn	EX	1	1	#1	—	—	—
	47	SWAP.W Rm,Rn	EX	1	1	#1	—	—	—
48	XTRCT Rm,Rn	EX	1	1	#1	—	—	—	
Fixed-point arithmetic instructions	49	ADD Rm,Rn	EX	1	1	#1	—	—	—
	50	ADD #imm,Rn	EX	1	1	#1	—	—	—
	51	ADDC Rm,Rn	EX	1	1	#1	—	—	—
	52	ADDV Rm,Rn	EX	1	1	#1	—	—	—
	53	CMP/EQ #imm,R0	MT	1	1	#1	—	—	—
	54	CMP/EQ Rm,Rn	MT	1	1	#1	—	—	—
	55	CMP/GE Rm,Rn	MT	1	1	#1	—	—	—
	56	CMP/GT Rm,Rn	MT	1	1	#1	—	—	—
	57	CMP/HI Rm,Rn	MT	1	1	#1	—	—	—
	58	CMP/HS Rm,Rn	MT	1	1	#1	—	—	—
	59	CMP/PL Rn	MT	1	1	#1	—	—	—
	60	CMP/PZ Rn	MT	1	1	#1	—	—	—
	61	CMP/STR Rm,Rn	MT	1	1	#1	—	—	—
	62	DIV0S Rm,Rn	EX	1	1	#1	—	—	—

Table 8.3 Execution Cycles (cont)

Functional Category	No.	Instruction	Instruc- tion Group	Issue Rate	Latency	Execu- tion Pattern	Lock		
							Stage	Start	Cycles
Fixed-point arithmetic instructions	63	DIV0U	EX	1	1	#1	—	—	—
	64	DIV1 Rm,Rn	EX	1	1	#1	—	—	—
	65	DMULS.L Rm,Rn	CO	2	4/4	#34	F1	4	2
	66	DMULU.L Rm,Rn	CO	2	4/4	#34	F1	4	2
	67	DT Rn	EX	1	1	#1	—	—	—
	68	MAC.L @Rm+,@Rn+	CO	2	2/2/4/4	#35	F1	4	2
	69	MAC.W @Rm+,@Rn+	CO	2	2/2/4/4	#35	F1	4	2
	70	MUL.L Rm,Rn	CO	2	4/4	#34	F1	4	2
	71	MULS.W Rm,Rn	CO	2	4/4	#34	F1	4	2
	72	MULU.W Rm,Rn	CO	2	4/4	#34	F1	4	2
	73	NEG Rm,Rn	EX	1	1	#1	—	—	—
	74	NEGC Rm,Rn	EX	1	1	#1	—	—	—
	75	SUB Rm,Rn	EX	1	1	#1	—	—	—
	76	SUBC Rm,Rn	EX	1	1	#1	—	—	—
	77	SUBV Rm,Rn	EX	1	1	#1	—	—	—
Logical instructions	78	AND Rm,Rn	EX	1	1	#1	—	—	—
	79	AND #imm,R0	EX	1	1	#1	—	—	—
	80	AND.B #imm,@(R0,GBR)	CO	4	4	#6	—	—	—
	81	NOT Rm,Rn	EX	1	1	#1	—	—	—
	82	OR Rm,Rn	EX	1	1	#1	—	—	—
	83	OR #imm,R0	EX	1	1	#1	—	—	—
	84	OR.B #imm,@(R0,GBR)	CO	4	4	#6	—	—	—
	85	TAS.B @Rn	CO	5	5	#7	—	—	—
	86	TST Rm,Rn	MT	1	1	#1	—	—	—
	87	TST #imm,R0	MT	1	1	#1	—	—	—
	88	TST.B #imm,@(R0,GBR)	CO	3	3	#5	—	—	—
	89	XOR Rm,Rn	EX	1	1	#1	—	—	—
	90	XOR #imm,R0	EX	1	1	#1	—	—	—
	91	XOR.B #imm,@(R0,GBR)	CO	4	4	#6	—	—	—

Table 8.3 Execution Cycles (cont)

Functional Category	No.	Instruction	Instruction Group	Issue Rate	Latency	Execution Pattern	Lock		
							Stage	Start	Cycles
Shift instructions	92	ROTL Rn	EX	1	1	#1	—	—	—
	93	ROTR Rn	EX	1	1	#1	—	—	—
	94	ROTCL Rn	EX	1	1	#1	—	—	—
	95	ROTCR Rn	EX	1	1	#1	—	—	—
	96	SHAD Rm,Rn	EX	1	1	#1	—	—	—
	97	SHAL Rn	EX	1	1	#1	—	—	—
	98	SHAR Rn	EX	1	1	#1	—	—	—
	99	SHLD Rm,Rn	EX	1	1	#1	—	—	—
	100	SHLL Rn	EX	1	1	#1	—	—	—
	101	SHLL2 Rn	EX	1	1	#1	—	—	—
	102	SHLL8 Rn	EX	1	1	#1	—	—	—
	103	SHLL16 Rn	EX	1	1	#1	—	—	—
	104	SHLR Rn	EX	1	1	#1	—	—	—
	105	SHLR2 Rn	EX	1	1	#1	—	—	—
	106	SHLR8 Rn	EX	1	1	#1	—	—	—
	107	SHLR16 Rn	EX	1	1	#1	—	—	—
	Branch instructions	108	BF disp	BR	1	2 (or 1)	#1	—	—
109		BF/S disp	BR	1	2 (or 1)	#1	—	—	—
110		BT disp	BR	1	2 (or 1)	#1	—	—	—
111		BT/S disp	BR	1	2 (or 1)	#1	—	—	—
112		BRA disp	BR	1	2	#1	—	—	—
113		BRAF Rn	CO	2	3	#4	—	—	—
114		BSR disp	BR	1	2	#14	SX	3	2
115		BSRF Rn	CO	2	3	#24	SX	3	2
116		JMP @Rn	CO	2	3	#4	—	—	—
117		JSR @Rn	CO	2	3	#24	SX	3	2
118		RTS	CO	2	3	#4	—	—	—

Table 8.3 Execution Cycles (cont)

Functional Category	No.	Instruction	Instruc- tion Group	Issue Rate	Latency	Execu- tion Pattern	Lock		
							Stage	Start	Cycles
System control instructions	119	NOP	MT	1	0	#1	—	—	—
	120	CLRMAC	CO	1	3	#28	F1	3	2
	121	CLRS	CO	1	1	#1	—	—	—
	122	CLRT	MT	1	1	#1	—	—	—
	123	SETS	CO	1	1	#1	—	—	—
	124	SETT	MT	1	1	#1	—	—	—
	125	TRAPA #imm	CO	7	7	#13	—	—	—
	126	RTE	CO	5	5	#8	—	—	—
	127	SLEEP	CO	4	4	#9	—	—	—
	128	LDTLB	CO	1	1	#2	—	—	—
	129	LDC Rm,DBR	CO	1	3	#14	SX	3	2
	130	LDC Rm,GBR	CO	3	3	#15	SX	3	2
	131	LDC Rm,Rp_BANK	CO	1	3	#14	SX	3	2
	132	LDC Rm,SR	CO	4	4	#16	SX	3	2
	133	LDC Rm,SSR	CO	1	3	#14	SX	3	2
	134	LDC Rm,SPC	CO	1	3	#14	SX	3	2
	135	LDC Rm,VBR	CO	1	3	#14	SX	3	2
	136	LDC.L @Rm+,DBR	CO	1	1/3	#17	SX	3	2
	137	LDC.L @Rm+,GBR	CO	3	3/3	#18	SX	3	2
	138	LDC.L @Rm+,Rp_BANK	CO	1	1/3	#17	SX	3	2
	139	LDC.L @Rm+,SR	CO	4	4/4	#19	SX	3	2
	140	LDC.L @Rm+,SSR	CO	1	1/3	#17	SX	3	2
	141	LDC.L @Rm+,SPC	CO	1	1/3	#17	SX	3	2
	142	LDC.L @Rm+,VBR	CO	1	1/3	#17	SX	3	2
	143	LDS Rm,MACH	CO	1	3	#28	F1	3	2
	144	LDS Rm,MACL	CO	1	3	#28	F1	3	2
	145	LDS Rm,PR	CO	2	3	#24	SX	3	2
	146	LDS.L @Rm+,MACH	CO	1	1/3	#29	F1	3	2
	147	LDS.L @Rm+,MACL	CO	1	1/3	#29	F1	3	2
	148	LDS.L @Rm+,PR	CO	2	2/3	#25	SX	3	2
149	STC DBR,Rn	CO	2	2	#20	—	—	—	
150	STC SGR,Rn	CO	3	3	#21	—	—	—	

Table 8.3 Execution Cycles (cont)

Functional Category	No.	Instruction	Instruction Group	Issue Rate	Latency	Execution Pattern	Lock			
							Stage	Start	Cycles	
System control instructions	151	STC	GBR,Rn	CO	2	2	#20	—	—	—
	152	STC	Rp_BANK,Rn	CO	2	2	#20	—	—	—
	153	STC	SR,Rn	CO	2	2	#20	—	—	—
	154	STC	SSR,Rn	CO	2	2	#20	—	—	—
	155	STC	SPC,Rn	CO	2	2	#20	—	—	—
	156	STC	VBR,Rn	CO	2	2	#20	—	—	—
	157	STC.L	DBR,@-Rn	CO	2	2/2	#22	—	—	—
	158	STC.L	SGR,@-Rn	CO	3	3/3	#23	—	—	—
	159	STC.L	GBR,@-Rn	CO	2	2/2	#22	—	—	—
	160	STC.L	Rp_BANK,@-Rn	CO	2	2/2	#22	—	—	—
	161	STC.L	SR,@-Rn	CO	2	2/2	#22	—	—	—
	162	STC.L	SSR,@-Rn	CO	2	2/2	#22	—	—	—
	163	STC.L	SPC,@-Rn	CO	2	2/2	#22	—	—	—
	164	STC.L	VBR,@-Rn	CO	2	2/2	#22	—	—	—
	165	STS	MACH,Rn	CO	1	3	#30	—	—	—
	166	STS	MACL,Rn	CO	1	3	#30	—	—	—
	167	STS	PR,Rn	CO	2	2	#26	—	—	—
168	STS.L	MACH,@-Rn	CO	1	1/1	#31	—	—	—	
169	STS.L	MACL,@-Rn	CO	1	1/1	#31	—	—	—	
170	STS.L	PR,@-Rn	CO	2	2/2	#27	—	—	—	
Single-precision floating-point instructions	171	FLDI0	FRn	LS	1	0	#1	—	—	—
	172	FLDI1	FRn	LS	1	0	#1	—	—	—
	173	FMOV	FRm,FRn	LS	1	0	#1	—	—	—
	174	FMOV.S	@Rm,FRn	LS	1	2	#2	—	—	—
	175	FMOV.S	@Rm+,FRn	LS	1	1/2	#2	—	—	—
	176	FMOV.S	@(R0,Rm),FRn	LS	1	2	#2	—	—	—
	177	FMOV.S	FRm,@Rn	LS	1	1	#2	—	—	—
	178	FMOV.S	FRm,@-Rn	LS	1	1/1	#2	—	—	—
	179	FMOV.S	FRm,@(R0,Rn)	LS	1	1	#2	—	—	—
	180	FLDS	FRm,FPUL	LS	1	0	#1	—	—	—
	181	FSTS	FPUL,FRn	LS	1	0	#1	—	—	—

Table 8.3 Execution Cycles (cont)

Functional Category	No.	Instruction	Instruc- tion Group	Issue Rate	Latency	Execu- tion Pattern	Lock			
							Stage	Start	Cycles	
Single- precision floating-point instructions	182	FABS	FRn	LS	1	0	#1	—	—	—
	183	FADD	FRm,FRn	FE	1	3/4	#36	—	—	—
	184	FCMP/EQ	FRm,FRn	FE	1	2/4	#36	—	—	—
	185	FCMP/GT	FRm,FRn	FE	1	2/4	#36	—	—	—
	186	FDIV	FRm,FRn	FE	1	12/13	#37	F3	2	10
								F1	11	1
	187	FLOAT	FPUL,FRn	FE	1	3/4	#36	—	—	—
	188	FMAC	FR0,FRm,FRn	FE	1	3/4	#36	—	—	—
	189	FMUL	FRm,FRn	FE	1	3/4	#36	—	—	—
	190	FNEG	FRn	LS	1	0	#1	—	—	—
	191	FSQRT	FRn	FE	1	11/12	#37	F3	2	9
								F1	10	1
	192	FSUB	FRm,FRn	FE	1	3/4	#36	—	—	—
	193	FTRC	FRm,FPUL	FE	1	3/4	#36	—	—	—
	194	FMOV	DRm,DRn	LS	1	0	#1	—	—	—
	195	FMOV	@Rm,DRn	LS	1	2	#2	—	—	—
	196	FMOV	@Rm+,DRn	LS	1	1/2	#2	—	—	—
	197	FMOV	@(R0,Rm),DRn	LS	1	2	#2	—	—	—
	198	FMOV	DRm,@Rn	LS	1	1	#2	—	—	—
	199	FMOV	DRm,@-Rn	LS	1	1/1	#2	—	—	—
200	FMOV	DRm,@(R0,Rn)	LS	1	1	#2	—	—	—	
Double- precision floating-point instructions	201	FABS	DRn	LS	1	0	#1	—	—	—
	202	FADD	DRm,DRn	FE	1	(7, 8)/9	#39	F1	2	6
	203	FCMP/EQ	DRm,DRn	CO	2	3/5	#40	F1	2	2
	204	FCMP/GT	DRm,DRn	CO	2	3/5	#40	F1	2	2
	205	FCNVDS	DRm,FPUL	FE	1	4/5	#38	F1	2	2
	206	FCNVSD	FPUL,DRn	FE	1	(3, 4)/5	#38	F1	2	2
	207	FDIV	DRm,DRn	FE	1	(24, 25)/ 26	#41	F3	2	23
								F1	22	3
								F1	2	2
	208	FLOAT	FPUL,DRn	FE	1	(3, 4)/5	#38	F1	2	2
209	FMUL	DRm,DRn	FE	1	(7, 8)/9	#39	F1	2	6	

Table 8.3 Execution Cycles (cont)

Functional Category	No.	Instruction	Instruction Group	Issue Rate	Latency	Execution Pattern	Lock			
							Stage	Start	Cycles	
Double-precision floating-point instructions	210	FNEG	DRn	LS	1	0	#1	—	—	—
	211	FSQRT	DRn	FE	1	(23, 24)/25	#41	F3	2	22
								F1	21	3
								F1	2	2
	212	FSUB	DRm,DRn	FE	1	(7, 8)/9	#39	F1	2	6
213	FTRC	DRm,FPUL	FE	1	4/5	#38	F1	2	2	
FPU system control instructions	214	LDS	Rm,FPUL	LS	1	1	#1	—	—	—
	215	LDS	Rm,FPSCR	CO	1	4	#32	F1	3	3
	216	LDS.L	@Rm+,FPUL	CO	1	1/2	#2	—	—	—
	217	LDS.L	@Rm+,FPSCR	CO	1	1/4	#33	F1	3	3
	218	STS	FPUL,Rn	LS	1	3	#1	—	—	—
	219	STS	FPSCR,Rn	CO	1	3	#1	—	—	—
	220	STS.L	FPUL,@-Rn	CO	1	1/1	#2	—	—	—
	221	STS.L	FPSCR,@-Rn	CO	1	1/1	#2	—	—	—
Graphics acceleration instructions	222	FMOV	DRm,XDn	LS	1	0	#1	—	—	—
	223	FMOV	XDm,DRn	LS	1	0	#1	—	—	—
	224	FMOV	XDm,XDn	LS	1	0	#1	—	—	—
	225	FMOV	@Rm,XDn	LS	1	2	#2	—	—	—
	226	FMOV	@Rm+,XDn	LS	1	1/2	#2	—	—	—
	227	FMOV	@(R0,Rm),XDn	LS	1	2	#2	—	—	—
	228	FMOV	XDm,@Rn	LS	1	1	#2	—	—	—
	229	FMOV	XDm,@-Rm	LS	1	1/1	#2	—	—	—
	230	FMOV	XDm,@(R0,Rn)	LS	1	1	#2	—	—	—
	231	FIPR	FVm,FVn	FE	1	4/5	#42	F1	3	1
	232	FRCHG		FE	1	1/4	#36	—	—	—
	233	FSCHG		FE	1	1/4	#36	—	—	—
	234	FTRV	XMTRX,FVn	FE	1	(5, 5, 6, 7)/8	#43	F0	2	4
F1								3	4	

Notes: 1. See table 8.1 for the instruction groups.

2. Latency “L1/L2...”: Latency corresponding to a write to each register, including MACH/MACL/FPSCR.

Example: MOV.B @Rm+, Rn “1/2”: The latency for Rm is 1 cycle, and the latency for Rn is 2 cycles.

3. Branch latency: Interval until the branch destination instruction is fetched

4. Conditional branch latency “2 (or 1)”: The latency is 2 for a nonzero displacement, and 1 for a zero displacement.
5. Double-precision floating-point instruction latency “(L1, L2)/L3”: L1 is the latency for FR [n+1], L2 that for FR [n], and L3 that for FPSCR.
6. FTRV latency “(L1, L2, L3, L4)/L5”: L1 is the latency for FR [n], L2 that for FR [n+1], L3 that for FR [n+2], L4 that for FR [n+3], and L5 that for FPSCR.
7. Latency “L1/L2/L3/L4” of MAC.L and MAC.W instructions: L1 is the latency for Rm, L2 that for Rn, L3 that for MACH, and L4 that for MACL.
8. Latency “L1/L2” of MUL.L, MULS.W, MULU.W, DMULS.L, and DMULU.L instructions: L1 is the latency for MACH, and L2 that for MACL.
9. Execution pattern: The instruction execution pattern number (see figure 8.2)
10. Lock/stage: Stage locked by the instruction
11. Lock/start: Locking start cycle; 1 is the first D-stage of the instruction.
12. Lock/cycles: Number of cycles locked

Exceptions:

1. When a floating-point computation instruction is followed by an FMOV store, an STS FPUL, Rn instruction, or an STS.L FPUL, @-Rn instruction, the latency of the floating-point computation is decreased by 1 cycle.
2. When the preceding instruction loads the shift amount of the following SHAD/SHLD, the latency of the load is increased by 1 cycle.
3. When an LS group instruction with a latency of less than 3 cycles is followed by a double-precision floating-point instruction, FIPR, or FTRV, the latency of the first instruction is increased to 3 cycles.
Example: In the case of FMOV FR4,FR0 and FIPR FV0,FV4, FIPR is stalled for 2 cycles.
4. When MAC/MUL/DMUL is followed by an STS.L MAC, @-Rn instruction, the latency of MAC/MUL/DMUL is 5 cycles.
5. In the case of consecutive executions of MAC/MUL/DMUL, the latency is decreased to 2 cycles.
6. When an LDS to MAC is followed by an STS.L MAC, @-Rn instruction, the latency of the LDS to MAC is 4 cycles.
7. When an LDS to MAC is followed by MAC/MUL/DMUL, the latency of the LDS to MAC is 1 cycle.
8. When an FSCHG or FRCHG instruction is followed by an LS group instruction that reads or writes to a floating-point register, the aforementioned LS group instruction[s] cannot be executed in parallel.
9. When a single-precision FTRC instruction is followed by an “STS FPUL, Rn” instruction, the latency of the single-precision FTRC instruction is 1 cycle.

Section 9 Power-Down Modes

9.1 Overview

In the power-down modes, some of the on-chip peripheral modules and the CPU functions are halted, enabling power consumption to be reduced.

9.1.1 Types of Power-Down Modes

The following power-down modes and functions are provided:

- Sleep mode
- Deep sleep mode
- Standby mode
- Hardware standby mode*
- Module standby function (TMU, RTC, SCI/SCIF, DMAC, SQ*, and UBC* on-chip peripheral modules)

Note: * SH7750S, SH7750R only

Table 9.1 shows the conditions for entering these modes from the program execution state, the status of the CPU and peripheral modules in each mode, and the method of exiting each mode.

Table 9.1 Status of CPU and Peripheral Modules in Power-Down Modes

Power-Down Mode	Entering Conditions	Status						
		CPG	CPU	On-Chip Memory	On-chip Peripheral Modules	Pins	External Memory	Exiting Method
Sleep	SLEEP instruction executed while STBY bit is 0 in STBCR	Operating	Halted (registers held)	Held	Operating	Held	Refreshing	<ul style="list-style-type: none"> • Interrupt • Reset
Deep sleep	SLEEP instruction executed while STBY bit is 0 in STBCR, and DSLP bit is 1 in STBCR2	Operating	Halted (registers held)	Held	Operating (DMA halted)	Held	Self-refreshing	<ul style="list-style-type: none"> • Interrupt • Reset
Standby	SLEEP instruction executed while STBY bit is 1 in STBCR	Halted	Halted (registers held)	Held	Halted*	Held	Self-refreshing	<ul style="list-style-type: none"> • Interrupt • Reset
Hardware standby (SH7750S, SH7750R)	Setting CA pin low	Halted	Halted	Undefined	Halted*	High impedance	Undefined	<ul style="list-style-type: none"> • Power-on reset
Module standby	Setting MSTP bit to 1 in STBCR/STBCR2	Operating	Operating	Held	Specified modules halted*	Held	Refreshing	<ul style="list-style-type: none"> • Clearing MSTP bit to 0 • Reset

Note: *The RTC operates when the START bit in RCR2 is 1 (see section 11, Realtime Clock (RTC)).

9.1.2 Register Configuration

Table 9.2 shows the registers used for power-down mode control.

Table 9.2 Power-Down Mode Registers

Name	Abbreviation	R/W	Initial Value	P4 Address	Area 7 Address	Access Size
Standby control register	STBCR	R/W	H'00	H'FFC00004	H'1FC00004	8
Standby control register 2	STBCR2	R/W	H'00	H'FFC00010	H'1FC00010	8
Clock stop register 00*	CLKSTP00	R/W	H'00000000	H'FE0A0000	H'1E0A0000	32
Clock release register 00*	CLKSTPCLR00	W	H'00000000	H'FE0A0008	H'1E0A0008	32

Note: * SH7750R only

9.1.3 Pin Configuration

Table 9.3 shows the pins used for power-down mode control.

Table 9.3 Power-Down Mode Pins

Pin Name	Abbreviation	I/O	Function
Processor status 1	STATUS1	Output	Indicate the processor's operating status. (STATUS1, STATUS0) HH: Reset HL: Sleep mode LH: Standby mode LL: Normal operation
Processor status 0	STATUS0		
Hardware standby request (SH7750S and SH7750R only)	CA	Input	Transits to hardware standby mode by a low-level input to the pin.

Notes: H: High level

L: Low level

9.2 Register Descriptions

9.2.1 Standby Control Register (STBCR)

The standby control register (STBCR) is an 8-bit readable/writable register that specifies the power-down mode status. It is initialized to H'00 by a power-on reset via the $\overline{\text{RESET}}$ pin or due to watchdog timer overflow.

Bit:	7	6	5	4	3	2	1	0
	STBY	PHZ	PPU	MSTP4	MSTP3	MSTP2	MSTP1	MSTP0
Initial value:	0	0	0	0	0	0	0	0
R/W:	R/W	R/W	R/W	R/W	R/W	R/W	R/W	R/W

Bit 7—Standby (STBY): Specifies a transition to standby mode.

Bit 7: STBY	Description
0	Transition to sleep mode on execution of SLEEP instruction (Initial value)
1	Transition to standby mode on execution of SLEEP instruction

Bit 6—Peripheral Module Pin High Impedance Control (PHZ): Controls the state of peripheral module related pins in standby mode. When the PHZ bit is set to 1, peripheral module related pins go to the high-impedance state in standby mode.

For the relevant pins, see section 9.2.2, Peripheral Module Pin High Impedance Control.

Bit 6: PHZ	Description
0	Peripheral module related pins are in normal state (Initial value)
1	Peripheral module related pins go to high-impedance state

Bit 5—Peripheral Module Pin Pull-Up Control (PPU): Controls the state of peripheral module related pins. When the PPU bit is cleared to 0, the pull-up resistor is turned on for peripheral module related pins in the input or high-impedance state.

For the relevant pins, see section 9.2.3, Peripheral Module Pin Pull-Up Control.

Bit 5: PPU	Description
0	Peripheral module related pin pull-up resistors are on (Initial value)
1	Peripheral module related pin pull-up resistors are off

Bit 4—Module Stop 4 (MSTP4): Specifies stopping of the clock supply to the DMAC among the on-chip peripheral modules. The clock supply to the DMAC is stopped when the MSTP4 bit is set

to 1. When DMA transfer is used, stop the transfer before setting the MSTP4 bit to 1. When DMA transfer is performed after clearing the MSTP4 bit to 0, DMAC settings must be made again.

Bit 4: MSTP4	Description
0	DMAC operates (Initial value)
1	DMAC clock supply is stopped

Bit 3—Module Stop 3 (MSTP3): Specifies stopping of the clock supply to serial communication interface channel 2 (SCIF) among the on-chip peripheral modules. The clock supply to the SCIF is stopped when the MSTP3 bit is set to 1.

Bit 3: MSTP3	Description
0	SCIF operates (Initial value)
1	SCIF clock supply is stopped

Bit 2—Module Stop 2 (MSTP2): Specifies stopping of the clock supply to the timer unit (TMU) among the on-chip peripheral modules. The clock supply to the TMU is stopped when the MSTP2 bit is set to 1.

Bit 2: MSTP2	Description
0	TMU operates (Initial value)
1	TMU clock supply is stopped

Bit 1—Module Stop 1 (MSTP1): Specifies stopping of the clock supply to the realtime clock (RTC) among the on-chip peripheral modules. The clock supply to the RTC is stopped when the MSTP1 bit is set to 1. When the clock supply is stopped, RTC registers cannot be accessed but the counters continue to operate.

Bit 1: MSTP1	Description
0	RTC operates (Initial value)
1	RTC clock supply is stopped

Bit 0—Module Stop 0 (MSTP0): Specifies stopping of the clock supply to serial communication interface channel 1 (SCI) among the on-chip peripheral modules. The clock supply to the SCI is stopped when the MSTP0 bit is set to 1.

Bit 0: MSTP0	Description
0	SCI operates (Initial value)
1	SCI clock supply is stopped

9.2.2 Peripheral Module Pin High Impedance Control

When bit 6 in the standby control register (STBCR) is set to 1, peripheral module related pins go to the high-impedance state in standby mode.

- Relevant Pins

SCI related pins	MD0/SCK	MD1/TXD2
	MD7/TXD	MD8/RTS2
	CTS2	
DMA related pins	DACK0	DRAK0
	DACK1	DRAK1

- Other Information

The setting in this register is invalid when the above pins are used as port output pins.

For details of pin states, see Appendix E, Pin Functions.

9.2.3 Peripheral Module Pin Pull-Up Control

When bit 5 in the standby control register (STBCR) is cleared to 0, peripheral module related pins are pulled up when in the input or high-impedance state.

- Relevant Pins

SCI related pins	MD0/SCK	MD1/TXD2	MD2/RXD2
	MD7/TXD	MD8/RTS2	SCK2/MRESET
	RXD	CTS2	
DMA related pins	DREQ0	DACK0	DRAK0
	DREQ1	DACK1	DRAK1
TMU related pin	TCLK		

- Other Information

The setting in this register is invalid in the hardware standby mode.

For details of pin states, see Appendix E, Pin Functions.

9.2.4 Standby Control Register 2 (STBCR2)

Standby control register 2 (STBCR2) is an 8-bit readable/writable register that specifies the sleep mode and deep sleep mode transition conditions. It is initialized to H'00 by a power-on reset via the $\overline{\text{RESET}}$ pin or due to watchdog timer overflow.

Bit:	7	6	5	4	3	2	1	0
	DSLSP	STHZ* ²	—	—	—	—	MSTP6* ¹	MSTP5* ¹
Initial value:	0	0	0	0	0	0	0	0
R/W:	R/W	R/W	R	R	R	R	R/W	R/W

Notes: *1 Reserved bit in the SH7750.

*2 Reserved bit in the SH7750 and SH7750S.

Bit 7—Deep Sleep (DSLSP): Specifies a transition to deep sleep mode

Bit 7: DSLSP	Description
0	Transition to sleep mode or standby mode on execution of SLEEP instruction, according to setting of STBY bit in STBCR register (Initial value)
1	Transition to deep sleep mode on execution of SLEEP instruction*

Note: * When the STBY bit in the STBCR register is 0

Bit 6 (SH7750R Only)—STATUS Pin High-Impedance Control (STHZ): This bit selects whether the STATUS0 and 1 pins are set to high-impedance when in hardware standby mode.

Bit 6: STHZ	Description
0	Sets STATUS0, 1 pins to high-impedance when in hardware standby mode (Initial value)
1	Drives STATUS0, 1 pins to LH when in hardware standby mode

Bit 6 (SH7750 and SH7750S)—Reserved: Only 0 should only be written to these bits; operation cannot be guaranteed if 1 is written. These bits are always read as 0.

Bits 5 to 2—Reserved: Only 0 should only be written to these bits; operation cannot be guaranteed if 1 is written. These bits are always read as 0.

Bits 1 and 0 (SH7750)—Reserved: Only 0 should only be written to these bits; operation cannot be guaranteed if 1 is written. These bits are always read as 0.

Bit 1 (SH7750S and SH7750R)—Module Stop 6 (MSTP6): Specifies that the clock supply to the store queue (SQ) in the cache controller (CCN) is stopped. Setting the MSTP6 bit to 1 stops the clock supply to the SQ, and the SQ functions are therefore unavailable.

Bit 1: MSTP6	Description	
0	SQ operating	(Initial value)
1	Clock supply to SQ stopped	

Bit 0 (SH7750S and SH7750R)—Module Stop 5 (MSTP5): Specifies stopping of the clock supply to the user break controller (UBC) among the on-chip peripheral modules. See section 20.6, User Break Controller Stop Functions for how to set the clock supply.

Bit 0: MSTP5	Description	
0	UBC operating	(Initial value)
1	Clock supply to UBC stopped	

9.2.5 Clock-Stop Register 00 (CLKSTP00) (SH7750R Only)

Clock-stop register 00 (CLKSTP00) controls the operation clock for peripheral modules. To resume supply of the clock signal, write a 1 to the corresponding bit in the CLKSTPCLR00 register. Writing a 0 to the CLKSTP00 register does not affect the register's value. The CLKSTP00 register is a 32-bit register that can be read from or written to. It is initialized to H'0000 0000 by a power-on reset, but not by a manual reset or when the device enters standby mode.

Bit:	31	30	29	28	27	26	25	24	23	22	21	20	19	18	17	16
	—	—	—	—	—	—	—	—	—	—	—	—	—	—	—	—
Initial value:	0	0	0	0	0	0	0	0	0	0	0	0	0	0	0	0
R/W:	R	R	R	R	R	R	R	R	R	R	R	R	R	R	R	R
Bit:	15	14	13	12	11	10	9	8	7	6	5	4	3	2	1	0
	—	—	—	—	—	—	—	—	—	—	—	—	—	—	CSTP1	CSTP0
Initial value:	0	0	0	0	0	0	0	0	0	0	0	0	0	0	0	0
R/W:	R	R	R	R	R	R	R	R	R	R	R	R	R	R	R/W	R/W

Bits 31 to 2—Reserved: Any data written to these bits should always be 0. These bits are always read as 0.

Bit 1—Clock stop 1 (CSTP1): This bit specifies stopping of the peripheral clock supply to channels 3 and 4 of the timer unit (TMU).

Bit 1: CSTP1	Description
0	Peripheral clock is supplied to TMU channels 3 and 4 (Initial value)
1	Peripheral clock supply to TMU channels 3 and 4 is stopped

Bit 0—Clock Stop 0 (CSTP0): Specifies stopping of the peripheral clock supply to the interrupt controller (INTC). If this bit is set, INTC does not detect interrupts on the TMU’s channels 3 and 4.

Bit 0: CSTP0	Description
0	INTC detects interrupts on channels 3 and 4 of the TMU (Initial value)
1	INTC does not detect interrupts on channels 3 and 4 of the TMU

9.2.6 Clock-Stop Clear Register 00 (CLKSTPCLR00) (SH7750R Only)

The clock-stop clear register 00 (CLKSTPCLR00) is a 32-bit write-only register that clears the corresponding bits of the CLKSTP00 register.

Bit:	31	30	29	28	27	26	25	24	23	22	21	20	19	18	17	16
Initial value:	0	0	0	0	0	0	0	0	0	0	0	0	0	0	0	0
R/W:	W	W	W	W	W	W	W	W	W	W	W	W	W	W	W	W

Bit:	15	14	13	12	11	10	9	8	7	6	5	4	3	2	1	0
Initial value:	0	0	0	0	0	0	0	0	0	0	0	0	0	0	0	0
R/W:	W	W	W	W	W	W	W	W	W	W	W	W	W	W	W	W

Bits 31 to 0—Clock-Stop Clear: Specify whether or not to clear the corresponding bit of the clock-stop setting. See section 9.2.5, Clock-Stop Register 00 (LKSTP00) (SH7750R only), for the correspondence between the bits and the clocks that are stopped.

Bits 31 to 0	Description
0	Does not change the clock-stop setting for the corresponding clock
1	Clears the clock-stop setting for the corresponding clock

9.3 Sleep Mode

9.3.1 Transition to Sleep Mode

If a SLEEP instruction is executed when the STBY bit in STBCR is cleared to 0, the chip switches from the program execution state to sleep mode. After execution of the SLEEP instruction, the CPU halts but its register contents are retained. The on-chip peripheral modules continue to operate, and the clock continues to be output from the CKIO pin.

In sleep mode, a high-level signal is output at the STATUS1 pin, and a low-level signal at the STATUS0 pin.

9.3.2 Exit from Sleep Mode

Sleep mode is exited by means of an interrupt (NMI, IRL, or on-chip peripheral module) or a reset. In sleep mode, interrupts are accepted even if the BL bit in the SR register is 1. If necessary, SPC and SSR should be saved to the stack before executing the SLEEP instruction.

Exit by Interrupt: When an NMI, IRL, or on-chip peripheral module interrupt is generated, sleep mode is exited and interrupt exception handling is executed. The code corresponding to the interrupt source is set in the INTEVT register.

Exit by Reset: Sleep mode is exited by means of a power-on or manual reset via the $\overline{\text{RESET}}$ pin, or a power-on or manual reset executed when the watchdog timer overflows.

9.4 Deep Sleep Mode

9.4.1 Transition to Deep Sleep Mode

If a SLEEP instruction is executed when the STBY bit in STBCR is cleared to 0 and the DSLP bit in STBCR2 is set to 1, the chip switches from the program execution state to deep sleep mode. After execution of the SLEEP instruction, the CPU halts but its register contents are retained. Except for the DMAC*, on-chip peripheral modules continue to operate. The clock continues to be output to the CKIO pin, but all bus access (including auto refresh) stops. When using memory that requires refreshing, set the self-refresh function prior to making the transition to deep sleep mode.

In deep sleep mode, a high-level signal is output at the STATUS1 pin, and a low-level signal at the STATUS0 pin.

Note: * Terminate DMA transfers prior to making the transition to deep sleep mode. If you make a transition to deep sleep mode while DMA transfers are in progress, the results of those transfers cannot be guaranteed.

9.4.2 Exit from Deep Sleep Mode

As with sleep mode, deep sleep mode is exited by means of an interrupt (NMI, IRL, or on-chip peripheral module) or a reset.

9.5 Standby Mode

9.5.1 Transition to Standby Mode

If a SLEEP instruction is executed when the STBY bit in STBCR is set to 1, the chip switches from the program execution state to standby mode. In standby mode, the on-chip peripheral modules halt as well as the CPU. Clock output from the CKIO pin is also stopped.

The CPU and cache register contents are retained. Some on-chip peripheral module registers are initialized. The state of the peripheral module registers in standby mode is shown in table 9.4.

Table 9.4 State of Registers in Standby Mode

Module	Initialized Registers	Registers That Retain Their Contents
Interrupt controller	—	All registers
User break controller	—	All registers
Bus state controller	—	All registers
On-chip oscillation circuits	—	All registers
Timer unit	TSTR register*	All registers except TSTR
Realtime clock	—	All registers
Direct memory access controller	—	All registers
Serial communication interface	See Appendix A, Address List	See Appendix A, Address List

Notes: DMA transfer should be terminated before making a transition to standby mode. Transfer results are not guaranteed if standby mode is entered during transfer.

* Not initialized when the realtime clock (RTC) is in use (see section 12, Timer Unit (TMU)).

The procedure for a transition to standby mode is shown below.

1. Clear the TME bit in the WDT timer control register (WTCSR) to 0, and stop the WDT. Set the initial value for the up-count in the WDT timer counter (WTCNT), and set the clock to be used for the up-count in bits CKS2–CKS0 in the WTCSR register.
2. Set the STBY bit in the STBCR register to 1, then execute a SLEEP instruction.
3. When standby mode is entered and the chip's internal clock stops, a low-level signal is output at the STATUS1 pin, and a high-level signal at the STATUS0 pin.

9.5.2 Exit from Standby Mode

Standby mode is exited by means of an interrupt (NMI, IRL, or on-chip peripheral module) or a reset via the $\overline{\text{RESET}}$ pin.

Exit by Interrupt: A hot start can be performed by means of the on-chip WDT. When an NMI, IRL*¹, RTC, or GPIO*² interrupt is detected, the WDT starts counting. After the count overflows, clocks are supplied to the entire chip, standby mode is exited, and the STATUS1 and STATUS0 pins both go low. Interrupt exception handling is then executed, and the code corresponding to the interrupt source is set in the INTEVT register. In standby mode, interrupts are accepted even if the BL bit in the SR register is 1, and so, if necessary, SPC and SSR should be saved to the stack before executing the SLEEP instruction.

The phase of the CKIO pin clock output may be unstable immediately after an interrupt is detected, until standby mode is exited.

Notes: *1 Only when the RTC clock (32.768 kHz) is operating (see section 19.2.2, IRL Interrupts), standby mode can be exited by means of IRL3–IRL0 (when the IRL3–IRL0 level is higher than the SR register I3–I0 mask level).

*2 GPIO can be used to cancel standby mode when the RTC clock (32.768 kHz) is operating (when the GPIO level is higher than the SR register I3–I0 mask level).

Exit by Reset: Standby mode is exited by means of a reset (power-on or manual) via the $\overline{\text{RESET}}$ pin. The $\overline{\text{RESET}}$ pin should be held low until clock oscillation stabilizes. The internal clock continues to be output at the CKIO pin.

9.5.3 Clock Pause Function

In standby mode, it is possible to stop or change the frequency of the clock input from the EXTAL pin. This function is used as follows.

1. Enter standby mode following the transition procedure described above.
2. When standby mode is entered and the chip's internal clock stops, a low-level signal is output at the STATUS1 pin, and a high-level signal at the STATUS0 pin.
3. The input clock is stopped, or its frequency changed, after the STATUS1 pin goes low and the STATUS0 pin high.
4. When the frequency is changed, input an NMI or IRL interrupt after the change. When the clock is stopped, input an NMI or IRL interrupt after applying the clock.
5. After the time set in the WDT, clock supply begins inside the chip, the STATUS1 and STATUS0 pins both go low, and operation is resumed from interrupt exception handling.

9.6 Module Standby Function

9.6.1 Transition to Module Standby Function

Setting the MSTP6–MSTP0, CSTP1, and CSTP0 bits in the standby control register to 1 enables the clock supply to the corresponding on-chip peripheral modules to be halted. Use of this function allows power consumption in sleep mode to be further reduced.

In the module standby state, the on-chip peripheral module external pins retain their states prior to halting of the modules, and most registers retain their states prior to halting of the modules.

Bit		Description
CSTP1* ⁶	0	Peripheral clock is supplied to TMU channels 3 and 4
	1	Peripheral clock supplied to TMU channels 3 and 4 is stopped
CSTP0* ⁶	0	INTC detects interrupts on TMU channels 3 and 4
	1	INTC does not detect interrupts on TMU channels 3 and 4
MSTP6* ⁴	0	SQ operates
	1	Clock supplied to SQ is stopped
MSTP5* ⁴	0	UBC operates
	1	Clock supplied to UBC is stopped* ⁵
MSTP4	0	DMAC operates
	1	Clock supplied to DMAC is stopped* ³
MSTP3	0	SCIF operates
	1	Clock supplied to SCIF is stopped
MSTP2	0	TMU operates
	1	Clock supplied to TMU is stopped, and register is initialized* ¹
MSTP1	0	RTC operates
	1	Clock supplied to RTC is stopped* ²
MSTP0	0	SCI operates
	1	Clock supplied to SCI is stopped

- Notes:
- *1 The register initialized is the same as in standby mode, but initialization is not performed if the RTC clock is not in use (see section 12, Timer Unit (TMU)).
 - *2 The counter operates when the START bit in RCR2 is 1 (see section 11, Realtime Clock (RTC)).
 - *3 Terminate DMA transfers prior to making the transition to module standby mode. If you make a transition to module standby mode while DMA transfers are in progress, the results of those transfers cannot be guaranteed.
 - *4 SH7750S, SH7750R only
 - *5 For details, see section 20.6, User Break Controller Stop Functions.
 - *6 SH7750R only

9.6.2 Exit from Module Standby Function

The module standby function is exited by clearing the MSTP6–MSTP0, CSTP1, and CSTP0 bits to 0, or by a power-on reset via the RESET pin or a power-on reset caused by watchdog timer overflow.

9.7 Hardware Standby Mode (SH7750S, SH7750R Only)

9.7.1 Transition to Hardware Standby Mode

Setting the CA pin level low effects a transition to hardware standby mode. In this mode, all modules other than the RTC stop, as in the standby mode selected using the SLEEP command.

Hardware standby mode differs from standby mode as follows:

1. Interrupts and manual resets are not available;
2. All output pins other than the STATUS pin are in the high-impedance state and the pull-up resistance is off.
3. Even when no power is supplied to power pins other than the RTC power supply pin, the RTC continues to operate.

The status of the STATUS pin is determined by the STHZ bit of STBCR2. See appendix E, Pin Functions, for details of output pin states.

Operation when a low-level is input to the CA pin when in the standby mode depends on the CPG status, as follows:

1. In standby mode
The clock remains stopped and a transition is made to the hardware standby state.
2. When WDT is operating when standby mode is exited by interrupt
Standby mode is momentarily exited, the CPU restarts, and then a transition is made to hardware standby mode.

Note that the level of the CA pin must be kept low while in hardware standby mode.

9.7.2 Exit from Hardware Standby Mode

Hardware standby mode can only be exited by effecting a power-on reset.

Setting the CA pin level high after the $\overline{\text{RESET}}$ pin level has been set low and the SCK2 pin high starts the clock to oscillate. The $\overline{\text{RESET}}$ pin level should be kept low until the clock has stabilized, then set high so that the CPU starts the power-on reset procedure.

Note that hardware standby mode cannot be exited using interrupts or a manual reset.

9.7.3 Usage Notes

The CA pin level must be kept high during the power-on oscillation settling period when the RTC power supply is started (figure 9.15).

9.8 STATUS Pin Change Timing

The STATUS1 and STATUS0 pin change timing is shown below.

The meaning of the STATUS pin settings is as follows:

Reset: HH (STATUS1 high, STATUS0 high)
Sleep: HL (STATUS1 high, STATUS0 low)
Standby: LH (STATUS1 low, STATUS0 high)
Normal: LL (STATUS1 low, STATUS0 low)

The meaning of the clock units is as follows:

Bcyc: Bus clock cycle
Pcyc: Peripheral clock cycle

9.8.1 In Reset

Power-On Reset

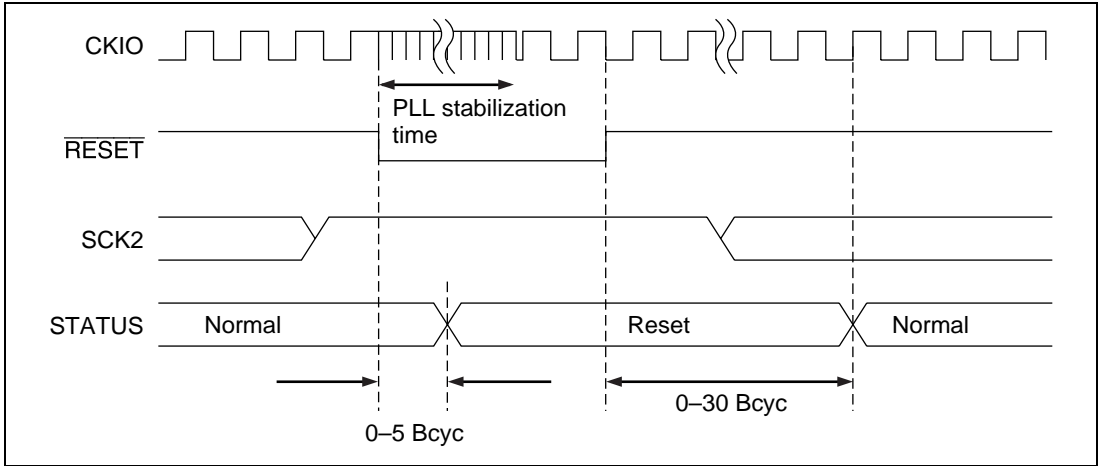


Figure 9.1 STATUS Output in Power-On Reset

Manual Reset

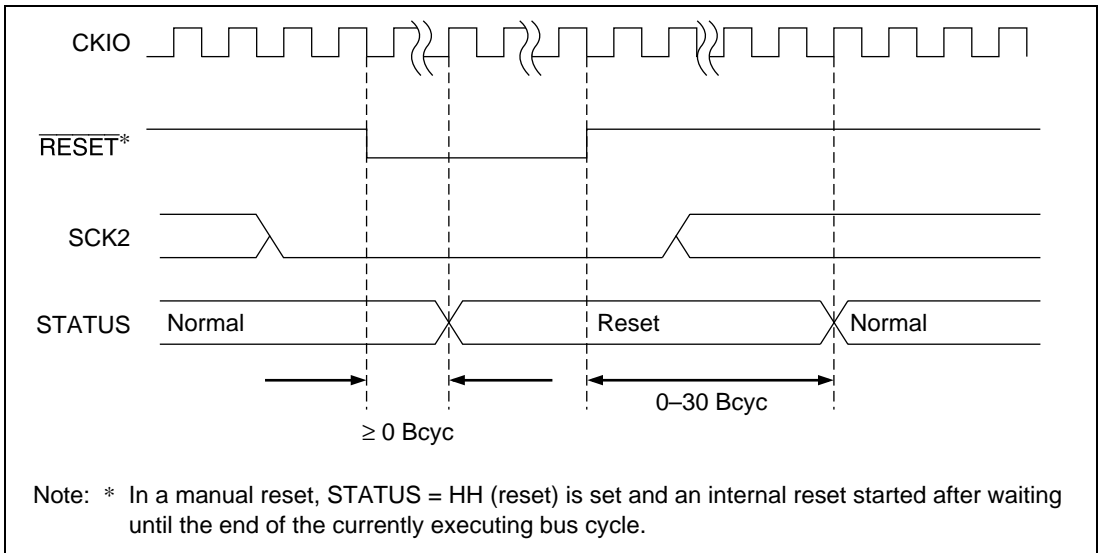


Figure 9.2 STATUS Output in Manual Reset

9.8.2 In Exit from Standby Mode

Standby → Interrupt

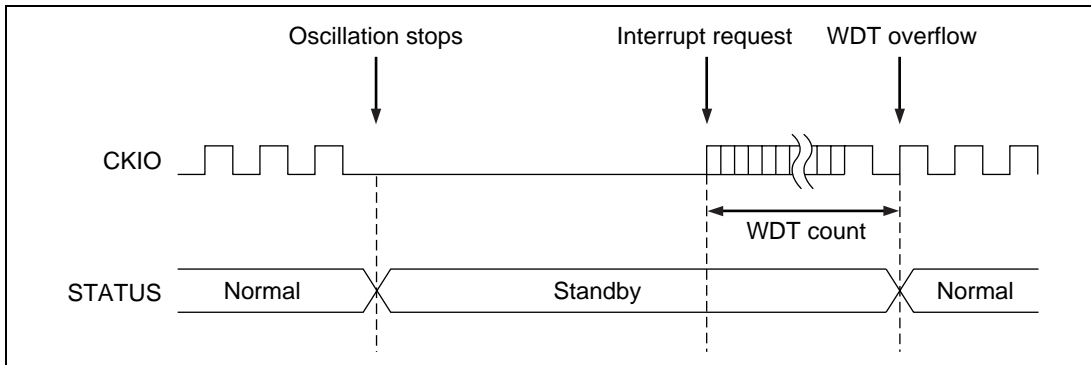


Figure 9.3 STATUS Output in Standby → Interrupt Sequence

Standby → Power-On Reset

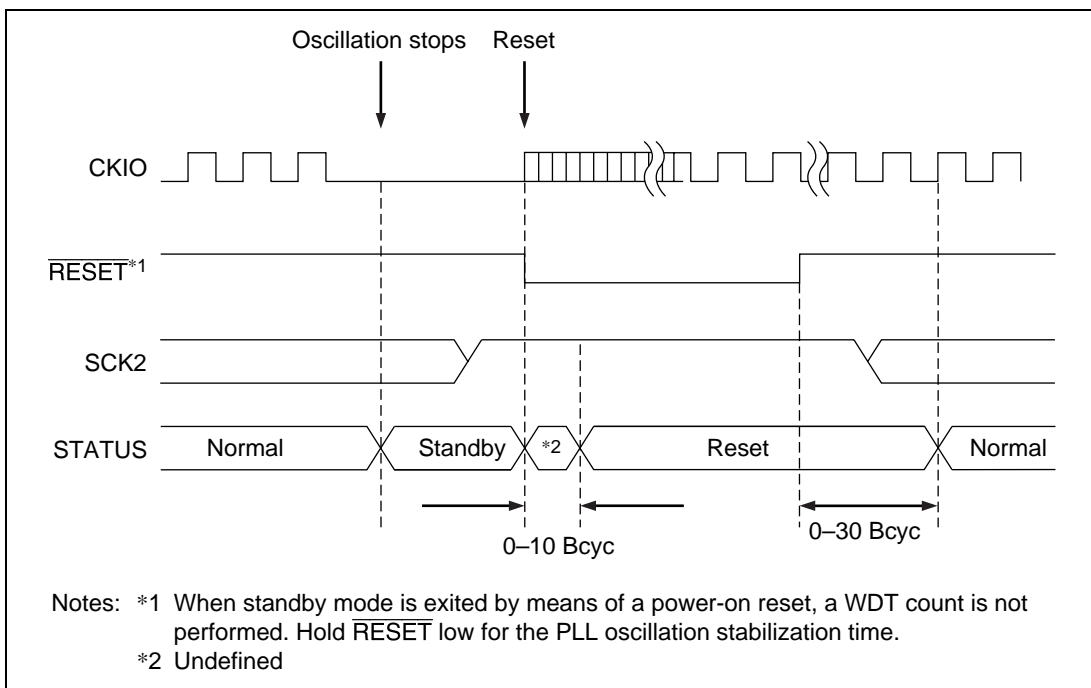


Figure 9.4 STATUS Output in Standby → Power-On Reset Sequence

Standby → Manual Reset

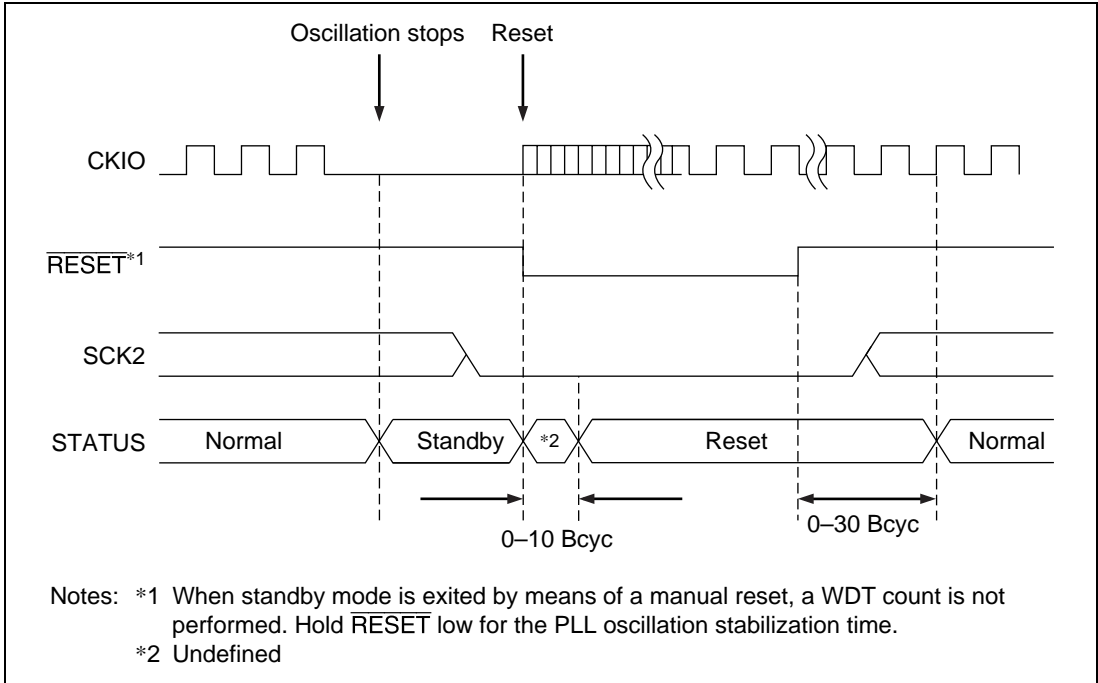


Figure 9.5 STATUS Output in Standby → Manual Reset Sequence

9.8.3 In Exit from Sleep Mode

Sleep → Interrupt

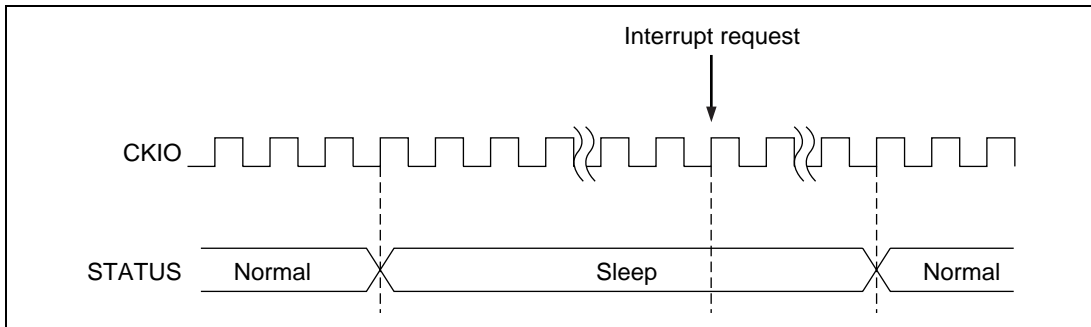
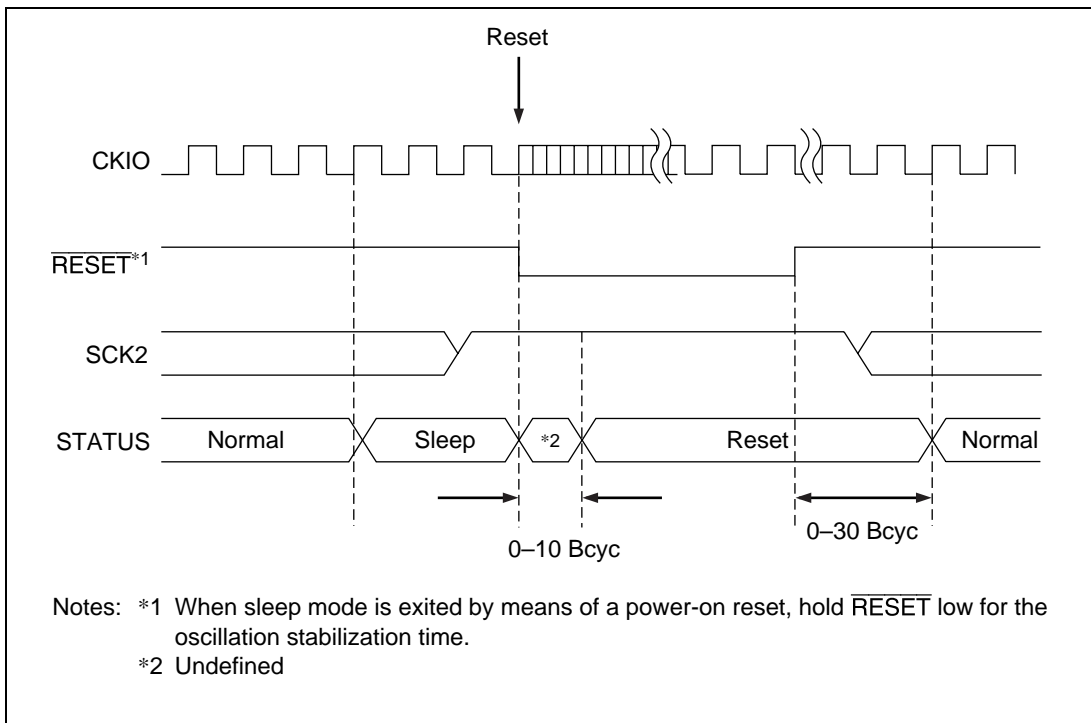


Figure 9.6 STATUS Output in Sleep → Interrupt Sequence

Sleep → Power-On Reset



Notes: *1 When sleep mode is exited by means of a power-on reset, hold $\overline{\text{RESET}}$ low for the oscillation stabilization time.

*2 Undefined

Figure 9.7 STATUS Output in Sleep → Power-On Reset Sequence

Sleep → Manual Reset

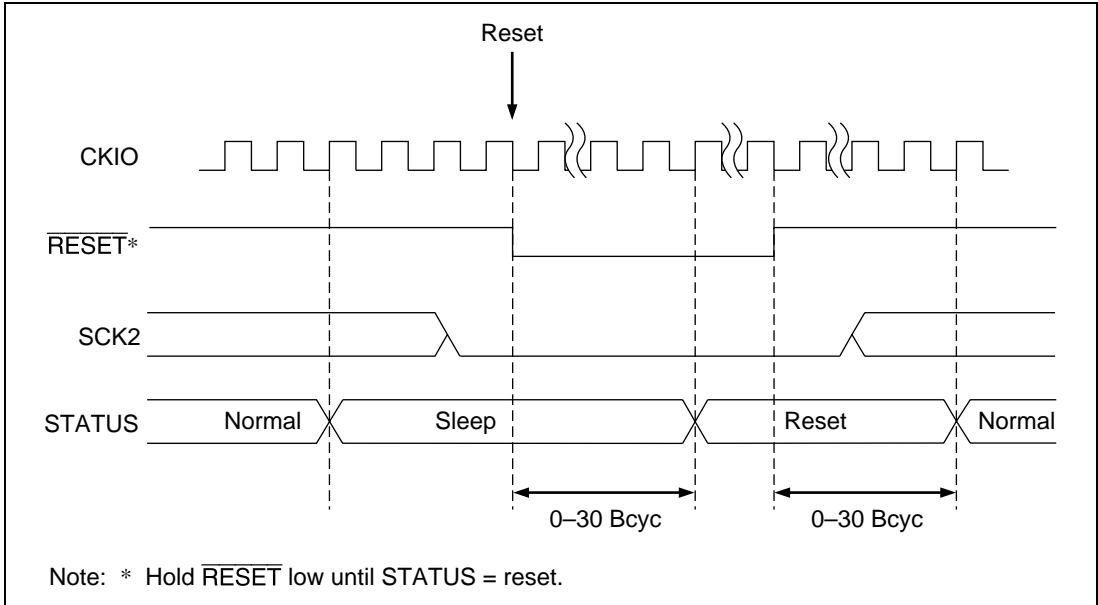


Figure 9.8 STATUS Output in Sleep → Manual Reset Sequence

9.8.4 In Exit from Deep Sleep Mode

Deep Sleep → Interrupt

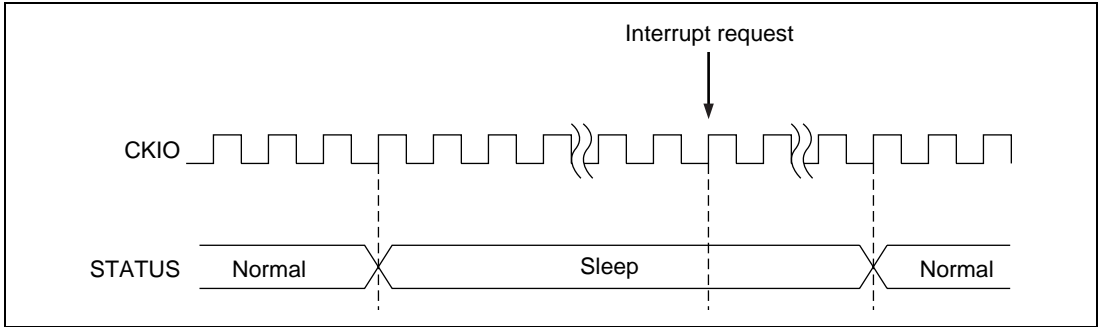
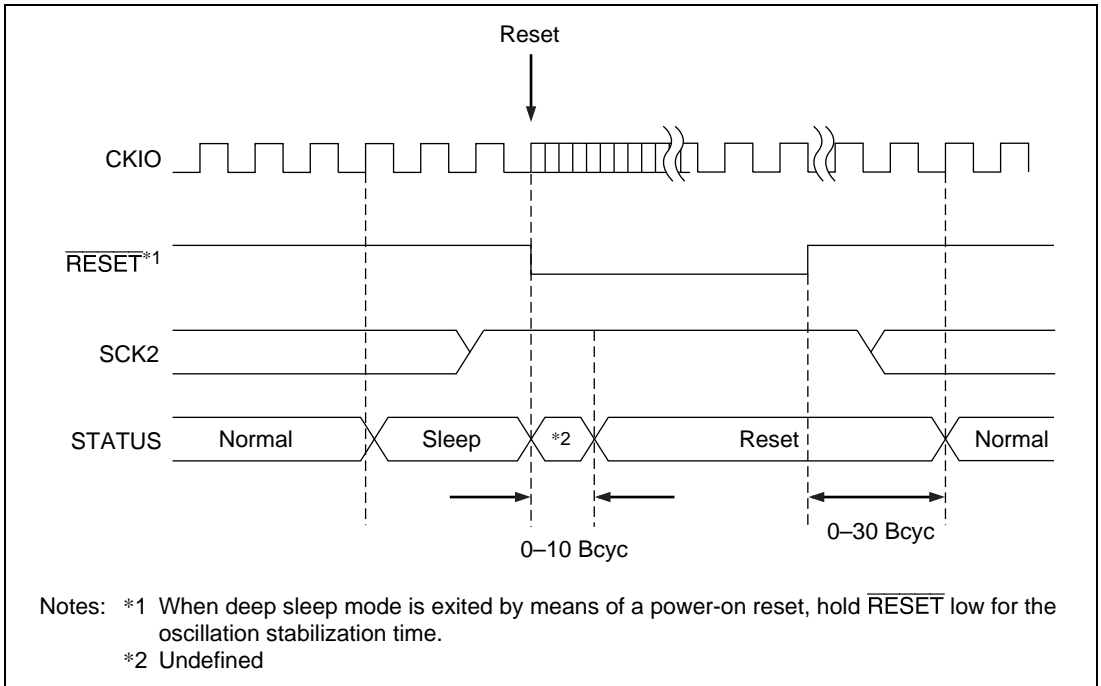


Figure 9.9 STATUS Output in Deep Sleep → Interrupt Sequence

Deep Sleep → Power-On Reset



Notes: *1 When deep sleep mode is exited by means of a power-on reset, hold $\overline{\text{RESET}}$ low for the oscillation stabilization time.

*2 Undefined

Figure 9.10 STATUS Output in Deep Sleep → Power-On Reset Sequence

Deep Sleep → Manual Reset

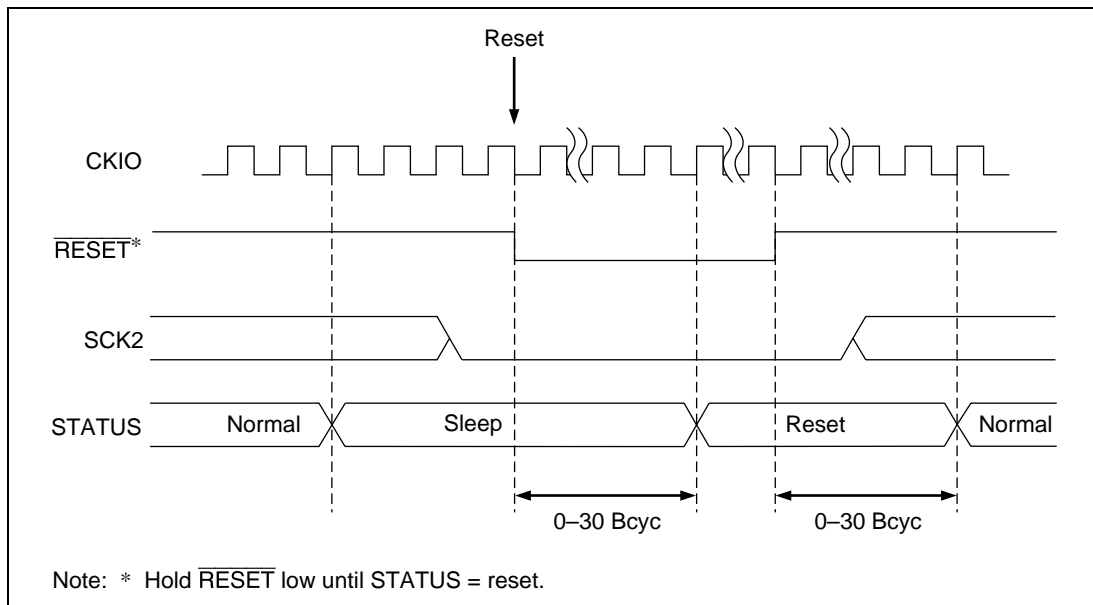


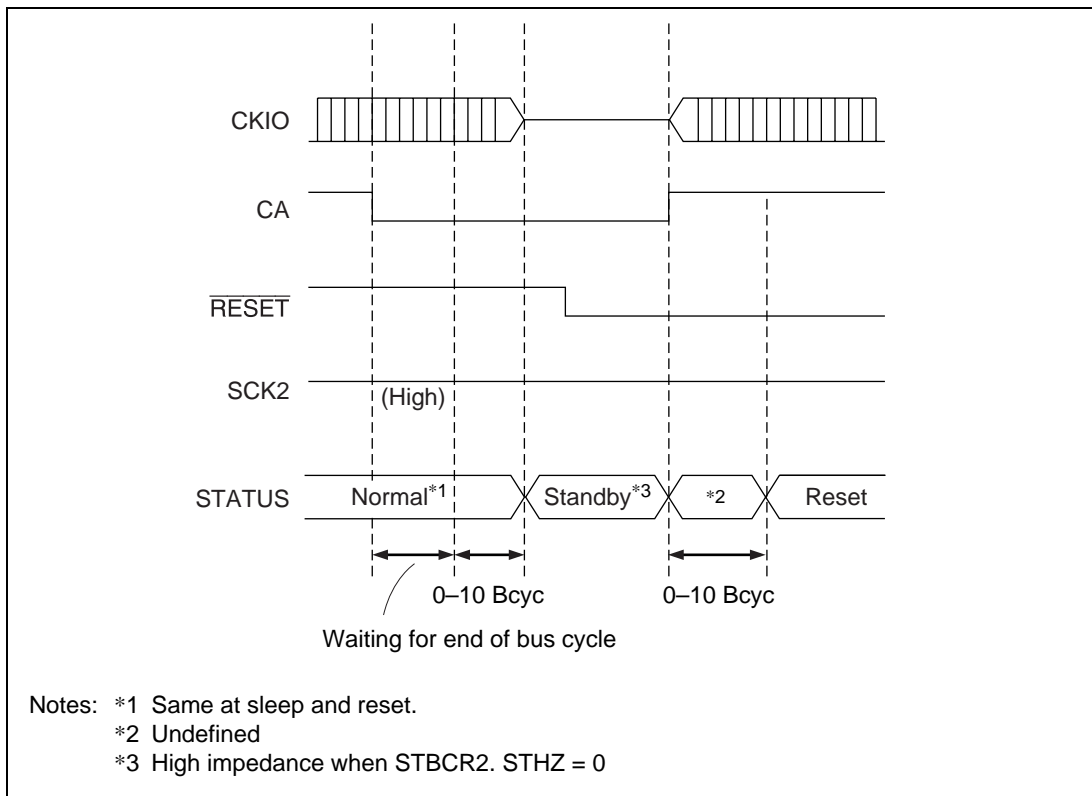
Figure 9.11 STATUS Output in Deep Sleep → Manual Reset Sequence

9.8.5 Hardware Standby Mode Timing (SH7750S, SH7750R Only)

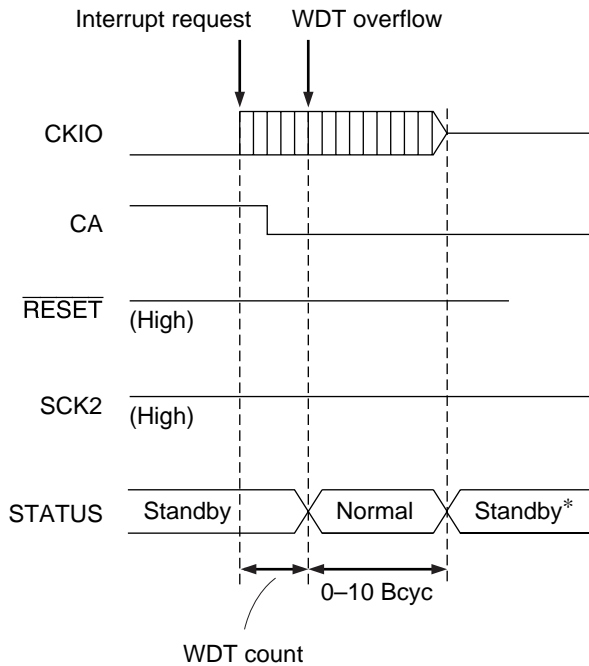
Figure 9.12 shows the timing of the signals of the respective pins in hardware standby mode.

The CA pin level must be kept low while in hardware standby mode.

After setting the $\overline{\text{RESET}}$ pin level low, the clock starts when the CA pin level is switched to high.

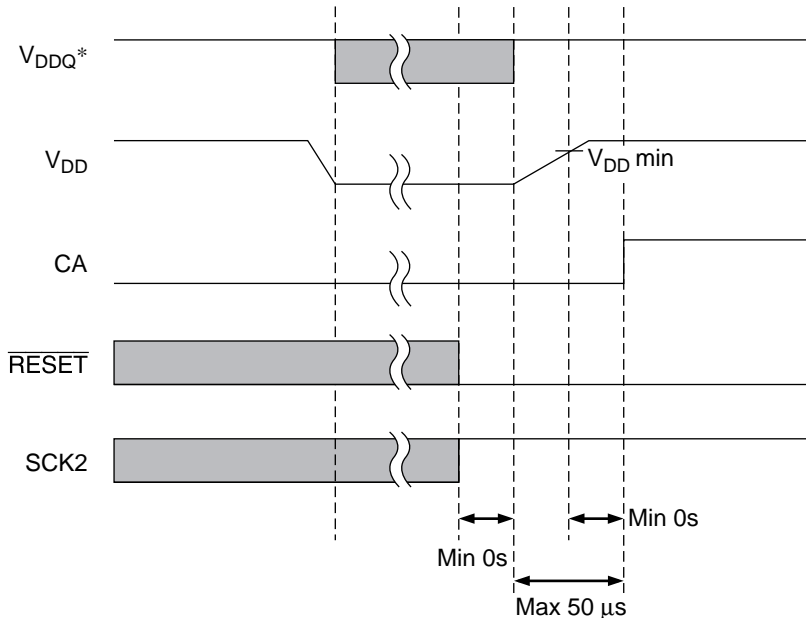


**Figure 9.12 Hardware Standby Mode Timing
(When CA = Low in Normal Operation)**



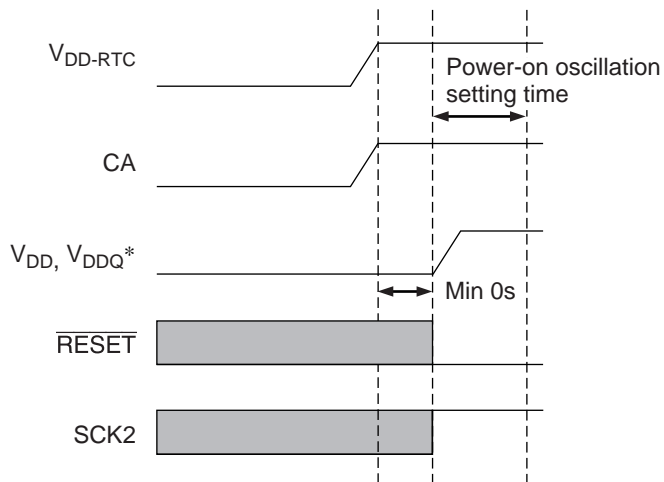
Note: * High impedance when STBCR2. STHZ = 0

**Figure 9.13 Hardware Standby Mode Timing
(When CA = Low in WDT Operation)**



Note: * V_{DDQ} , V_{DD-CPG} , $V_{DD-PLL1}$, $V_{DD-PLL2}$

Figure 9.14 Timing When Power Other than VDD-RTC is Off



Note: * V_{DD} , $V_{DD-PLL1/2}$, V_{DDQ} , V_{DD-CPG}

Figure 9.15 Timing When VDD-RTC Power is Off \rightarrow On

Section 10 Clock Oscillation Circuits

10.1 Overview

The on-chip oscillation circuits comprise a clock pulse generator (CPG) and a watchdog timer (WDT).

The CPG generates the clocks supplied inside the processor and performs power-down mode control.

The WDT is a single-channel timer used to count the clock stabilization time when exiting standby mode or the frequency is changed. It can be used as a normal watchdog timer or an interval timer.

10.1.1 Features

The CPG has the following features:

- Three clocks
The CPG can generate independently the CPU clock ($I\phi$) used by the CPU, FPU, caches, and TLB, the peripheral module clock ($P\phi$) used by the peripheral modules, and the bus clock (CKIO) used by the external bus interface.
- Six clock modes
Any of six clock operating modes can be selected, with different combinations of CPU clock, bus clock, and peripheral module clock division ratios after a power-on reset.
- Frequency change function
PLL (phase-locked loop) circuits and a frequency divider in the CPG enable the CPU clock, bus clock, and peripheral module clock frequencies to be changed independently. Frequency changes are performed by software in accordance with the settings in the frequency control register (FRQCR).
- PLL on/off control
Power consumption can be reduced by stopping the PLL circuits during low-frequency operation.
- Power-down mode control
It is possible to stop the clock in sleep mode and standby mode, and to stop specific modules with the module standby function.

The WDT has the following features

- Can be used to secure clock stabilization time
Used when exiting standby mode or a temporary standby state when the clock frequency is changed.
- Can be switched between watchdog timer mode and interval timer mode
- Internal reset generation in watchdog timer mode
An internal reset is executed on counter overflow.
Power-on reset or manual reset can be selected.
- Interrupt generation in interval timer mode
An interval timer interrupt is generated on counter overflow.
- Selection of eight counter input clocks
Any of eight clocks can be selected, scaled from the $\times 1$ clock of frequency divider 2 shown in figure 10.1.

The CPG is described in sections 10.2 to 10.6, and the WDT in sections 10.7 to 10.9.

10.2 Overview of CPG

10.2.1 Block Diagram of CPG

Figure 10.1 (1) shows a block diagram of the CPG in the SH7750 and SH7750S, and figure 10.1 (2) a block diagram of the CPG in the SH7750R.

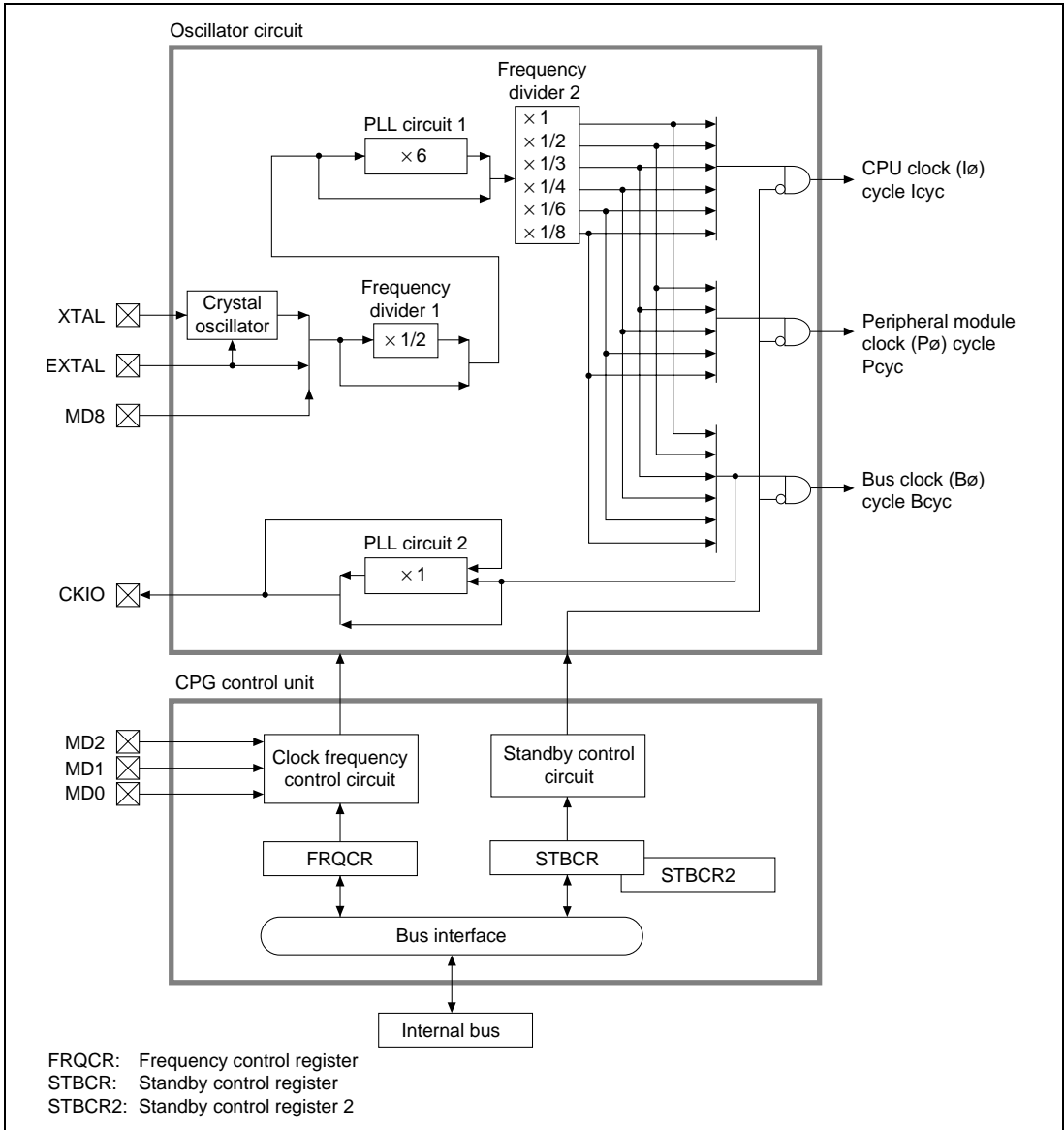


Figure 10.1 (1) Block Diagram of CPG (SH7750, SH7750S)

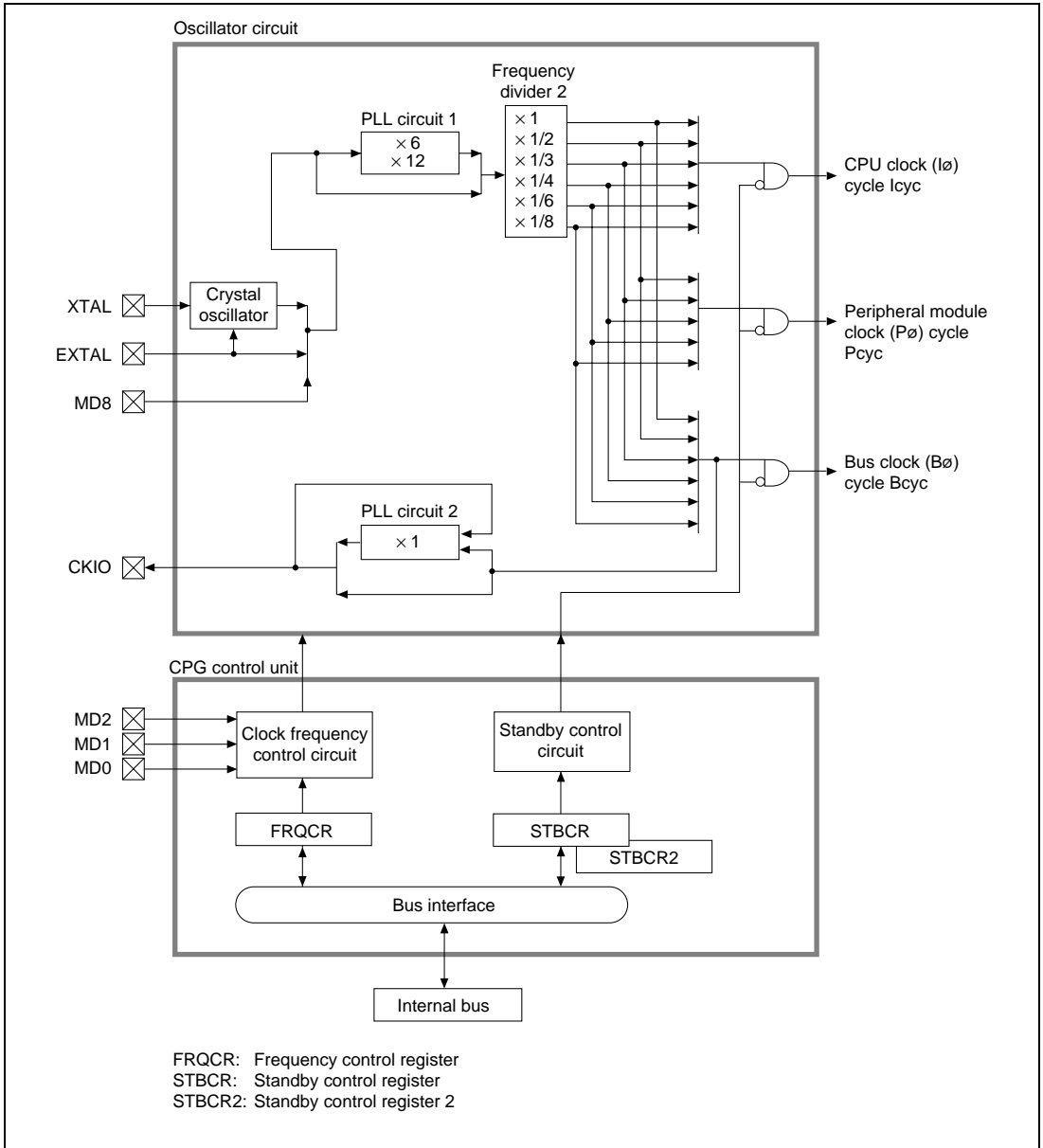


Figure 10.1 (2) Block Diagram of CPG (SH7750R)

The function of each of the CPG blocks is described below.

PLL Circuit 1: PLL circuit 1 has a function for multiplying the clock frequency from the EXTAL pin or crystal oscillator by 6 with the SH7750 and SH7750S, and by 6 or 12 with the SH7750R. Starting and stopping is controlled by a frequency control register setting. Control is performed so that the internal clock rising edge phase matches the input clock rising edge phase.

PLL Circuit 2: PLL circuit 2 coordinates the phases of the bus clock and the CKIO pin output clock. Starting and stopping is controlled by a frequency control register setting.

Crystal Oscillator: This is the oscillator circuit used when a crystal resonator is connected to the XTAL and EXTAL pins. Use of the crystal oscillator can be selected with the MD8 pin.

Frequency Divider 1 (SH7750 and SH7750S only): Frequency divider 1 has a function for adjusting the clock waveform duty to 50% by halving the input clock frequency when clock input from the EXTAL pin is supplied internally without using PLL circuit 1.

Frequency Divider 2: Frequency divider 2 generates the CPU clock ($I\phi$), bus clock ($B\phi$), and peripheral module clock ($P\phi$). The division ratio is set in the frequency control register.

Clock Frequency Control Circuit: The clock frequency control circuit controls the clock frequency by means of the MD pins and frequency control register.

Standby Control Circuit: The standby control circuit controls the state of the on-chip oscillation circuits and other modules when the clock is switched and in sleep and standby modes.

Frequency Control Register (FRQCR): The frequency control register contains control bits for clock output from the CKIO pin, PLL circuit 1 and 2 on/off control, and the CPU clock, bus clock, and peripheral module clock frequency division ratios.

Standby Control Register (STBCR): The standby control register contains power save mode control bits. For further information on the standby control register, see section 9, Power-Down Modes.

Standby Control Register 2 (STBCR2): Standby control register 2 contains a power save mode control bit. For further information on standby control register 2, see section 9, Power-Down Modes.

10.2.2 CPG Pin Configuration

Table 10.1 shows the CPG pins and their functions.

Table 10.1 CPG Pins

Pin Name	Abbreviation	I/O	Function
Mode control pins	MD0	Input	Set clock operating mode
	MD1		
	MD2		
Crystal I/O pins (clock input pins)	XTAL	Output	Connects crystal resonator
	EXTAL	Input	Connects crystal resonator, or used as external clock input pin
	MD8	Input	Selects use/non-use of crystal resonator When MD8 = 0, external clock is input from EXTAL When MD8 = 1, crystal resonator is connected directly to EXTAL and XTAL
Clock output pin	CKIO	Output	Used as external clock output pin Level can also be fixed
CKIO enable pin	CKE	Output	0 when CKIO output clock is unstable and in case of synchronous DRAM self-refreshing*

Note: * Set to 1 in a power-on reset.

For details of synchronous DRAM self-refreshing, see section 13.3.5, Synchronous DRAM Interface.

10.2.3 CPG Register Configuration

Table 10.2 shows the CPG register configuration.

Table 10.2 CPG Register

Name	Abbreviation	R/W	Initial Value	P4 Address	Area 7 Address	Access Size
Frequency control register	FRQCR	R/W	Undefined*	H'FFC00000	H'1FC00000	16

Note: * Depends on the clock operating mode set by pins MD2–MD0.

10.3 Clock Operating Modes

Tables 10.3 (1) and 10.3 (2) show the clock operating modes corresponding to various combinations of mode control pin (MD2–MD0) settings (initial settings such as the frequency division ratio).

Table 10.4 shows FRQCR settings and internal clock frequencies.

Table 10.3 (1) Clock Operating Modes (SH7750, SH7750S)

Clock Operating Mode	External Pin Combination			1/2 Frequency Divider	PLL1	PLL2	Frequency (vs. Input Clock)			FRQCR Initial Value
	MD2	MD1	MD0				CPU Clock	Bus Clock	Peripheral Module Clock	
0	0	0	0	Off	On	On	6	3/2	3/2	H'0E1A
1			1	Off	On	On	6	1	1	H'0E23
2		1	0	On	On	On	3	1	1/2	H'0E13
3			1	Off	On	On	6	2	1	H'0E13
4	1	0	0	On	On	On	3	3/2	3/4	H'0E0A
5			1	Off	On	On	6	3	3/2	H'0E0A

- Notes: 1. Turning on/off of the 1/2 frequency divider is solely determined by the clock operating mode.
2. For the ranges of input clock frequency, see the descriptions of the EXTAL clock input frequency (f_{EX}) and CKIO clock output (f_{OP}) in section 22.3.1, Clock and Control Signal Timing.

Table 10.3 (2) Clock Operating Modes (SH7750R)

Clock Operating Mode	External Pin Combination			PLL1	PLL2	Frequency (vs. Input Clock)			FRQCR Initial Value
	MD2	MD1	MD0			CPU Clock	Bus Clock	Peripheral Module Clock	
0	0	0	0	On (×12)	On	12	3	3	H'0E1A
1			1	On (×12)	On	12	3/2	3/2	H'0E2C
2		1	0	On (×6)	On	6	2	1	H'0E13
3			1	On (×12)	On	12	4	2	H'0E13
4	1	0	0	On (×6)	On	6	3	3/2	H'0E0A
5			1	On (×12)	On	12	6	3	H'0E0A
6		1	0	Off (×6)	Off	1	1/2	1/2	H'0808

- Notes: 1. The multiplication factor of PLL 1 is solely determined by the clock operating mode.
2. For the ranges of input clock frequency, see the descriptions of the EXTAL clock input frequency (f_{EX}) and CKIO clock output (f_{OP}) in section 22.3.1, Clock and Control Signal Timing.

Table 10.4 FRQCR Settings and Internal Clock Frequencies

FRQCR (Lower 9 Bits)	Frequency Division Ratio		
	CPU Clock	Bus Clock	Peripheral Module Clock
H'008	1	1/2	1/2
H'00A			1/4
H'00C			1/8
H'011		1/3	1/3
H'013			1/6
H'01A		1/4	1/4
H'01C			1/8
H'023		1/6	1/6
H'02C		1/8	1/8
H'05A	1/2	1/4	1/4
H'05C			1/8
H'063		1/6	1/6
H'06C		1/8	1/8
H'0A3	1/3	1/6	1/6
H'0EC	1/4	1/8	1/8

Note: For the lower 9 bits of FRQCR, do not set values other than those shown in the table.

10.4 CPG Register Description

10.4.1 Frequency Control Register (FRQCR)

The frequency control register (FRQCR) is a 16-bit readable/writable register that specifies use/non-use of clock output from the CKIO pin, PLL circuit 1 and 2 on/off control, and the CPU clock, bus clock, and peripheral module clock frequency division ratios. Only word access can be used on FRQCR.

FRQCR is initialized only by a power-on reset via the $\overline{\text{RESET}}$ pin. The initial value of each bit is determined by the clock operating mode.

Bit:	15	14	13	12	11	10	9	8
	—	—	—	—	CKOEN	PLL1EN	PLL2EN	IFC2
Initial value:	0	0	0	0	1	1	1	—
R/W:	R/W	R/W	R/W	R	R/W	R/W	R/W	R/W
Bit:	7	6	5	4	3	2	1	0
	IFC1	IFC0	BFC2	BFC1	BFC0	PFC2	PFC1	PFC0
Initial value:	—	—	—	—	—	—	—	—
R/W:	R/W	R/W	R/W	R/W	R/W	R/W	R/W	R/W

Bits 15 to 12—Reserved: These bits are always read as 0, and should only be written with 0.

Bit 11—Clock Output Enable (CKOEN): Specifies whether a clock is output from the CKIO pin or the CKIO pin is placed in the high-impedance state. When the CKIO pin goes to the high-impedance state, operation continues at the operating frequency before this state was entered. When the CKIO pin becomes high-impedance, it is pulled up.

Bit 11: CKOEN	Description
0	CKIO pin goes to high-impedance state (pulled up*)
1	Clock is output from CKIO pin (Initial value)

Note: * It is not pulled up in hardware standby mode.

Bit 10—PLL Circuit 1 Enable (PLL1EN): Specifies whether PLL circuit 1 is on or off.

Bit 10: PLL1EN	Description
0	PLL circuit 1 is not used
1	PLL circuit 1 is used (Initial value)

Bit 9—PLL Circuit 2 Enable (PLL2EN): Specifies whether PLL circuit 2 is on or off.

Bit 9: PLL2EN	Description
0	PLL circuit 2 is not used
1	PLL circuit 2 is used (Initial value)

Bits 8 to 6—CPU Clock Frequency Division Ratio (IFC): These bits specify the CPU clock frequency division ratio with respect to the input clock, 1/2 frequency divider, or PLL circuit 1 output frequency.

Bit 8: IFC2	Bit 7: IFC1	Bit 6: IFC0	Description
0	0	0	× 1
		1	× 1/2
	1	0	× 1/3
		1	× 1/4
1	0	0	× 1/6
		1	× 1/8
Other than the above			Setting prohibited (Do not set)

Bits 5 to 3—Bus Clock Frequency Division Ratio (BFC): These bits specify the bus clock frequency division ratio with respect to the input clock, 1/2 frequency divider, or PLL circuit 1 output frequency.

Bit 5: BFC2	Bit 4: BFC1	Bit 3: BFC0	Description
0	0	0	× 1
		1	× 1/2
	1	0	× 1/3
		1	× 1/4
1	0	0	× 1/6
		1	× 1/8
Other than the above			Setting prohibited (Do not set)

Bits 2 to 0—Peripheral Module Clock Frequency Division Ratio (PFC): These bits specify the peripheral module clock frequency division ratio with respect to the input clock, 1/2 frequency divider, or PLL circuit 1 output frequency.

Bit 2: PFC2	Bit 1: PFC1	Bit 0: PFC0	Description
0	0	0	× 1/2
		1	× 1/3
	1	0	× 1/4
		1	× 1/6
1	0	0	× 1/8
Other than the above			Setting prohibited (Do not set)

10.5 Changing the Frequency

There are two methods of changing the internal clock frequency: by changing stopping and starting of PLL circuit 1, and by changing the frequency division ratio of each clock. In both cases, control is performed by software by means of the frequency control register. These methods are described below.

10.5.1 Changing PLL Circuit 1 Starting/Stopping (When PLL Circuit 2 is Off)

When PLL circuit 1 is changed from the stopped to started state, a PLL stabilization time is required. The oscillation stabilization time count is performed by the on-chip WDT.

1. Set a value in WDT to provide the specified oscillation stabilization time, and stop the WDT. The following settings are necessary:
 - WTCSR register TME bit = 0: WDT stopped
 - WTCSR register CKS2–CKS0 bits: WDT count clock division ratio
 - WTCNT counter: Initial counter value
2. Set the PLL1EN bit to 1.
3. Internal processor operation stops temporarily, and the WDT starts counting up. The internal clock stops and an unstable clock is output to the CKIO pin.
4. After the WDT count overflows, clock supply begins within the chip and the processor resumes operation. The WDT stops after overflowing.

10.5.2 Changing PLL Circuit 1 Starting/Stopping (When PLL Circuit 2 is On)

When PLL circuit 2 is on, a PLL circuit 1 and PLL circuit 2 oscillation stabilization time is required.

1. Make WDT settings as in 10.5.1.
2. Set the PLL1EN bit to 1.
3. Internal processor operation stops temporarily, PLL circuit 1 oscillates, and the WDT starts counting up. The internal clock stops and an unstable clock is output to the CKIO pin.
4. After the WDT count overflows, PLL circuit 2 starts oscillating. The WDT resumes its up-count from the value set in step 1 above. During this time, also, the internal clock is stopped and an unstable clock is output to the CKIO pin.
5. After the WDT count overflows, clock supply begins within the chip and the processor resumes operation. The WDT stops after overflowing.

10.5.3 Changing Bus Clock Division Ratio (When PLL Circuit 2 is On)

If PLL circuit 2 is on when the bus clock frequency division ratio is changed, a PLL circuit 2 oscillation stabilization time is required.

1. Make WDT settings as in 10.5.1.
2. Set the BFC2–BFC0 bits to the desired value.
3. Internal processor operation stops temporarily, and the WDT starts counting up. The internal clock stops and an unstable clock is output to the CKIO pin.
4. After the WDT count overflows, clock supply begins within the chip and the processor resumes operation. The WDT stops after overflowing.

10.5.4 Changing Bus Clock Division Ratio (When PLL Circuit 2 is Off)

If PLL circuit 2 is off when the bus clock frequency division ratio is changed, a WDT count is not performed.

1. Set the BFC2–BFC0 bits to the desired value.
2. The set clock is switched to immediately.

10.5.5 Changing CPU or Peripheral Module Clock Division Ratio

When the CPU or peripheral module clock frequency division ratio is changed, a WDT count is not performed.

1. Set the IFC2–IFC0 or PFC2–PFC0 bits to the desired value.
2. The set clock is switched to immediately.

10.6 Output Clock Control

The CKIO pin can be switched between clock output and a fixed level setting by means of the CKOEN bit in the FRQCR register. When the CKIO pin goes to the high-impedance state, it is pulled up.

10.7 Overview of Watchdog Timer

10.7.1 Block Diagram

Figure 10.2 shows a block diagram of the WDT.

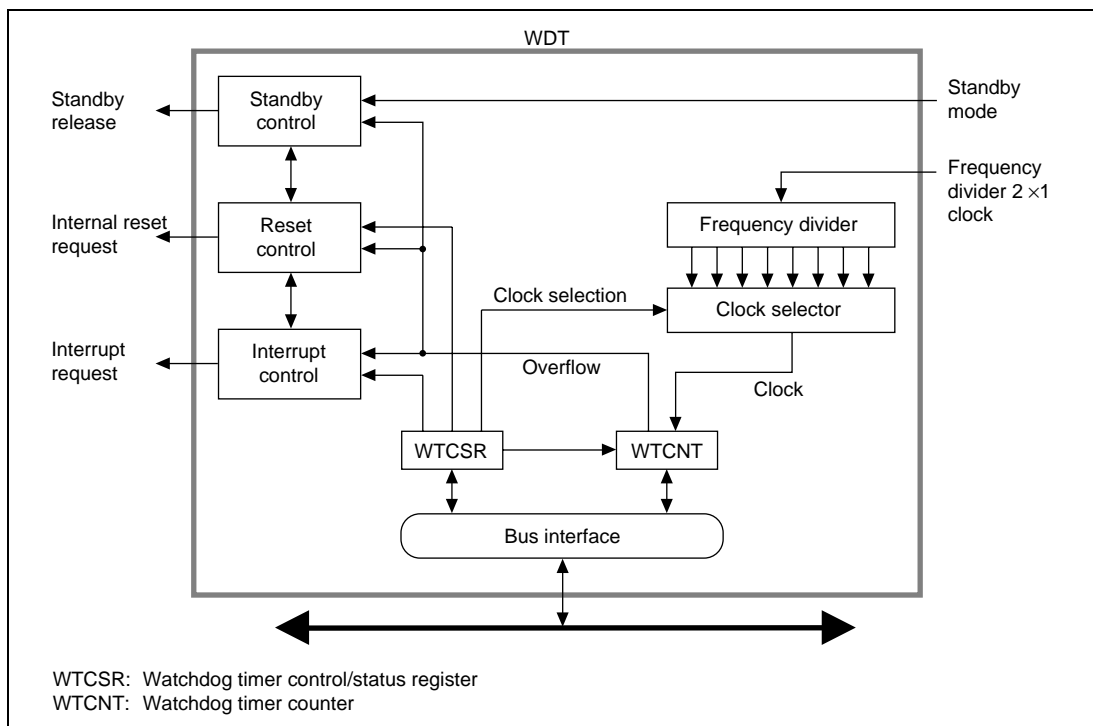


Figure 10.2 Block Diagram of WDT

10.7.2 Register Configuration

The WDT has the two registers summarized in table 10.5. These registers control clock selection and timer mode switching.

Table 10.5 WDT Registers

Name	Abbreviation	R/W	Initial Value	P4 Address	Area 7 Address	Access Size
Watchdog timer counter	WTCNT	R/W*	H'00	H'FFC00008	H'1FC00008	R: 8, W: 16*
Watchdog timer control/status register	WTCSR	R/W*	H'00	H'FFC0000C	H'1FC0000C	R: 8, W: 16*

Note: * Use word-size access when writing. Perform the write with the upper byte set to H'5A or H'A5, respectively. Byte- and longword-size writes cannot be used.
Use byte access when reading.

10.8 WDT Register Descriptions

10.8.1 Watchdog Timer Counter (WTCNT)

The watchdog timer counter (WTCNT) is an 8-bit readable/writable counter that counts up on the selected clock. When WTCNT overflows, a reset is generated in watchdog timer mode, or an interrupt in interval timer mode. WTCNT is initialized to H'00 only by a power-on reset via the RESET pin.

To write to the WTCNT counter, use a word-size access with the upper byte set to H'5A. To read WTCNT, use a byte-size access.

Bit:	7	6	5	4	3	2	1	0
	<input type="text"/>	<input type="text"/>	<input type="text"/>	<input type="text"/>	<input type="text"/>	<input type="text"/>	<input type="text"/>	<input type="text"/>
Initial value:	0	0	0	0	0	0	0	0
R/W:	R/W	R/W	R/W	R/W	R/W	R/W	R/W	R/W

10.8.2 Watchdog Timer Control/Status Register (WTCSR)

The watchdog timer control/status register (WTCSR) is an 8-bit readable/writable register containing bits for selecting the count clock and timer mode, and overflow flags.

WTCSR is initialized to H'00 only by a power-on reset via the $\overline{\text{RESET}}$ pin. It retains its value in an internal reset due to WDT overflow. When used to count the clock stabilization time when exiting standby mode, WTCSR retains its value after the counter overflows.

To write to the WTCSR register, use a word-size access with the upper byte set to H'A5. To read WTCSR, use a byte-size access.

Bit:	7	6	5	4	3	2	1	0
	TME	WT/ $\overline{\text{IT}}$	RSTS	WOVF	IOVF	CKS2	CKS1	CKS0
Initial value:	0	0	0	0	0	0	0	0
R/W:	R/W	R/W	R/W	R/W	R/W	R/W	R/W	R/W

Bit 7—Timer Enable (TME): Specifies starting and stopping of timer operation. Clear this bit to 0 when using the WDT in standby mode or to change a clock frequency.

Bit 7: TME	Description
0	Up-count stopped, WTCNT value retained (Initial value)
1	Up-count started

Bit 6—Timer Mode Select (WT/ $\overline{\text{IT}}$): Specifies whether the WDT is used as a watchdog timer or interval timer.

Bit 6: WT/ $\overline{\text{IT}}$	Description
0	Interval timer mode (Initial value)
1	Watchdog timer mode

Note: The up-count may not be performed correctly if WT/ $\overline{\text{IT}}$ is modified while the WDT is running.

Bit 5—Reset Select (RSTS): Specifies the kind of reset to be performed when WTCNT overflows in watchdog timer mode. This setting is ignored in interval timer mode.

Bit 5: RSTS	Description
0	Power-on reset (Initial value)
1	Manual reset

Bit 4—Watchdog Timer Overflow Flag (WOVF): Indicates that WTCNT has overflowed in watchdog timer mode. This flag is not set in interval timer mode.

Bit 4: WOVF	Description
0	No overflow (Initial value)
1	WTCNT has overflowed in watchdog timer mode

Bit 3—Interval Timer Overflow Flag (IOVF): Indicates that WTCNT has overflowed in interval timer mode. This flag is not set in watchdog timer mode.

Bit 3: IOVF	Description
0	No overflow (Initial value)
1	WTCNT has overflowed in interval timer mode

Bits 2 to 0—Clock Select 2 to 0 (CKS2–CKS0): These bits select the clock used for the WTCNT count from eight clocks obtained by dividing the frequency divider 2 input clock*. The overflow periods shown in the following table are for use of a 33 MHz input clock, with frequency divider 1 off, and PLL circuit 1 on (×6).

Note: * When PLL1 is switched on or off, the clock following the switch is used.

Bit 2: CKS2	Bit 1: CKS1	Bit 0: CKS0	Description	
			Clock Division Ratio	Overflow Period
0	0	0	1/32 (Initial value)	41 μs
		1	1/64	82 μs
	1	0	1/128	164 μs
		1	1/256	328 μs
1	0	0	1/512	656 μs
		1	1/1024	1.31 ms
	1	0	1/2048	2.62 ms
		1	1/4096	5.25 ms

Note: The up-count may not be performed correctly if bits CKS2–CKS0 are modified while the WDT is running. Always stop the WDT before modifying these bits.

10.8.3 Notes on Register Access

The watchdog timer counter (WTCNT) and watchdog timer control/status register (WTCSR) differ from other registers in being more difficult to write to. The procedure for writing to these registers is given below.

Writing to WTCNT and WTCSR: These registers must be written to with a word transfer instruction. They cannot be written to with a byte or longword transfer instruction. When writing to WTCNT, perform the transfer with the upper byte set to H'5A and the lower byte containing the write data. When writing to WTCSR, perform the transfer with the upper byte set to H'A5 and the lower byte containing the write data. This transfer procedure writes the lower byte data to WTCNT or WTCSR. The write formats are shown in figure 10.3.

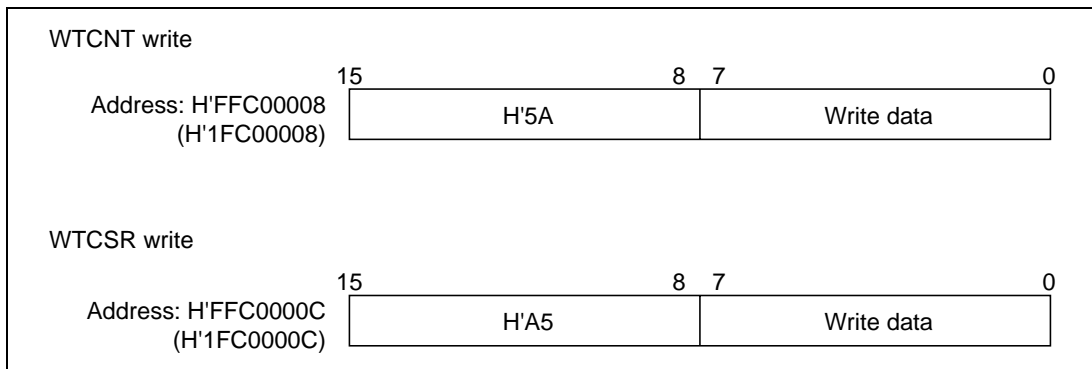


Figure 10.3 Writing to WTCNT and WTCSR

10.9 Using the WDT

10.9.1 Standby Clearing Procedure

The WDT is used when clearing standby mode by means of an NMI or other interrupt. The procedure is shown below. (As the WDT does not operate when standby mode is cleared with a reset, the $\overline{\text{RESET}}$ pin should be held low until the clock stabilizes.)

1. Be sure to clear the TME bit in the WTCSR register to 0 before making a transition to standby mode. If the TME bit is set to 1, an inadvertent reset or interval timer interrupt may be caused when the count overflows.
2. Select the count clock to be used with bits CKS2–CKS0 in the WTCSR register, and set the initial value in the WTCNT counter. Make these settings so that the time until the count overflows is at least as long as the clock oscillation stabilization time. For details of the clock oscillation stabilization time, see section 22.3.1, Clock and Control Signal Timing.
3. Make a transition to standby mode, and stop the clock, by executing a SLEEP instruction.

4. The WDT starts counting on detection of an NMI signal transition edge or an interrupt.
5. When the WDT count overflows, the CPG starts clock supply and the processor resumes operation. The WOVF flag in the WTCSR register is not set at this time.
6. The counter stops at a value of H'00–H'01. The value at which the counter stops depends on the clock ratio.

10.9.2 Frequency Changing Procedure

The WDT is used in a frequency change using the PLL. It is not used when the frequency is changed simply by making a frequency divider switch.

1. Be sure to clear the TME bit in the WTCSR register to 0 before making a frequency change. If the TME bit is set to 1, an inadvertent reset or interval timer interrupt may be caused when the count overflows.
2. Select the count clock to be used with bits CKS2–CKS0 in the WTCSR register, and set the initial value in the WTCNT counter. Make these settings so that the time until the count overflows is at least as long as the clock oscillation stabilization time. For details of the clock oscillation stabilization time, see section 22.3.1, Clock and Control Signal Timing.
3. When the frequency control register (FRQCR) is modified, the clock stops, and the standby state is entered temporarily. The WDT starts counting.
4. When the WDT count overflows, the CPG starts clock supply and the processor resumes operation. The WOVF flag in the WTCSR register is not set at this time.
5. The counter stops at a value of H'00–H'01. The value at which the counter stops depends on the clock ratio.
6. When re-setting WTCNT immediately after modifying the frequency control register (FRQCR), first read the counter and confirm that its value is as described in step 5 above.

10.9.3 Using Watchdog Timer Mode

1. Set the $\overline{WT/IT}$ bit in the WTCSR register to 1, select the type of reset with the RSTS bit, and the count clock with bits CKS2–CKS0, and set the initial value in the WTCNT counter.
2. When the TME bit in the WTCSR register is set to 1, the count starts in watchdog timer mode.
3. During operation in watchdog timer mode, write H'00 to the counter periodically so that it does not overflow.
4. When the counter overflows, the WDT sets the WOVF flag in the WTCSR register to 1, and generates a reset of the type specified by the RSTS bit. The counter then continues counting.

10.9.4 Using Interval Timer Mode

When the WDT is operating in interval timer mode, an interval timer interrupt is generated each time the counter overflows. This enables interrupts to be generated at fixed intervals.

1. Clear the WT/\overline{IT} bit in the WTCSR register to 0, select the count clock with bits CKS2–CKS0, and set the initial value in the WTCNT counter.
2. When the TME bit in the WTCSR register is set to 1, the count starts in interval timer mode.
3. When the counter overflows, the WDT sets the IOVF flag in the WTCSR register to 1, and sends an interval timer interrupt request to INTC. The counter continues counting.

10.10 Notes on Board Design

When Using a Crystal Resonator: Place the crystal resonator and capacitors close to the EXTAL and XTAL pins. To prevent induction from interfering with correct oscillation, ensure that no other signal lines cross the signal lines for these pins.

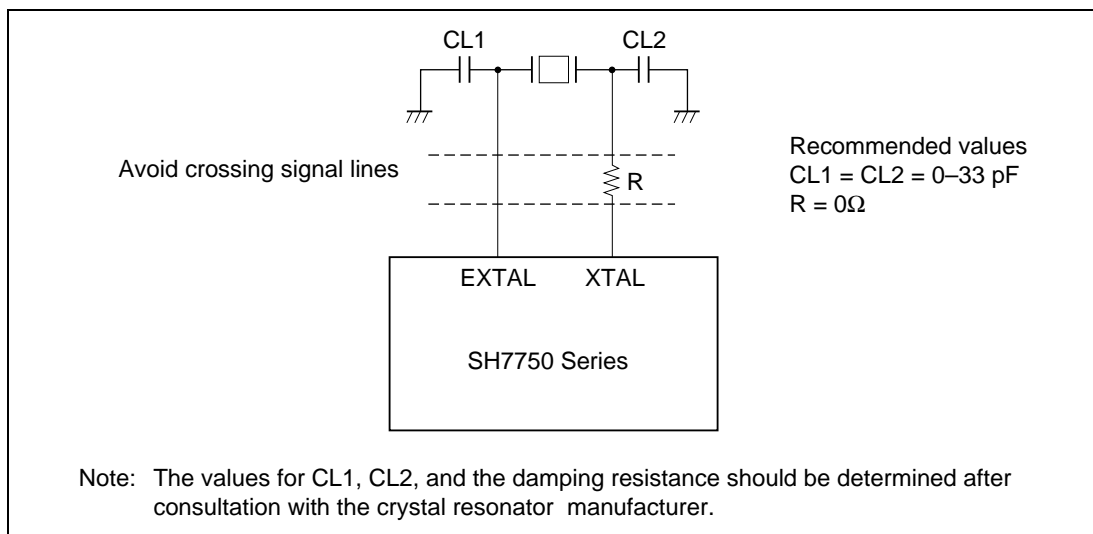


Figure 10.4 Points for Attention when Using Crystal Resonator

When Inputting External Clock from EXTAL Pin: Make no connection to the XTAL pin.

When Using a PLL Oscillator Circuit: Separate VDD-CPG and VSS-CPG from the other VDD and VSS lines at the board power supply source, and insert resistors RCB and RB and bypass capacitors CPB and CB close to the pins as noise filters.

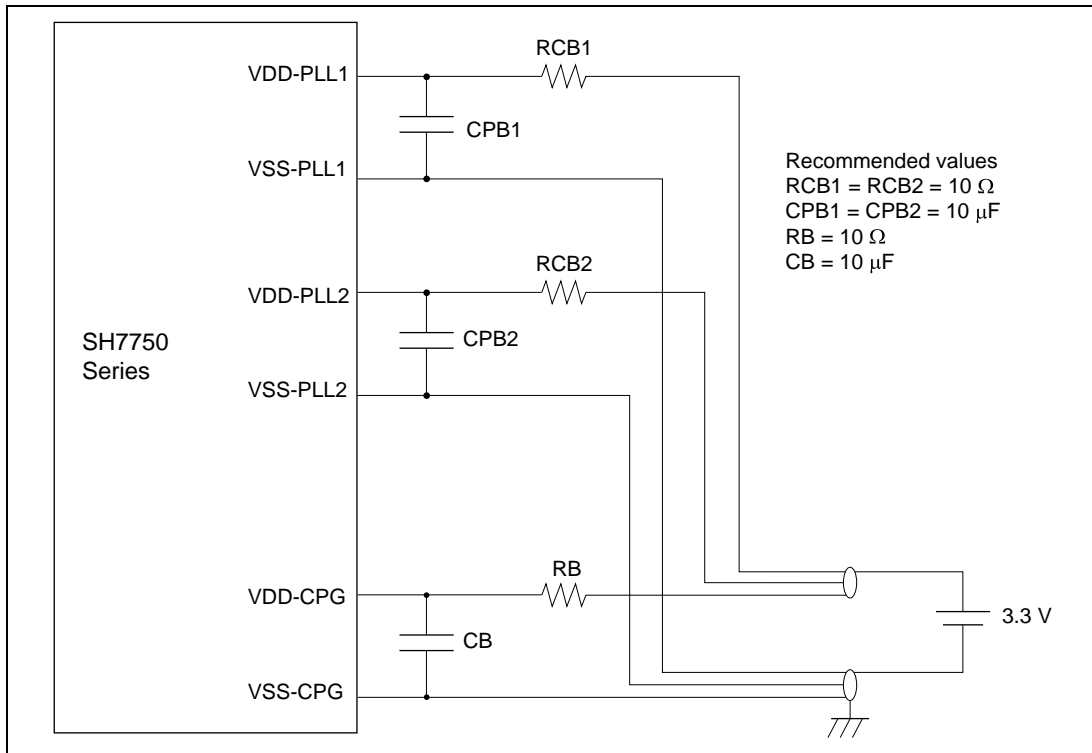


Figure 10.5 Points for Attention when Using PLL Oscillator Circuit

Section 11 Realtime Clock (RTC)

11.1 Overview

The SH7750 Series includes an on-chip realtime clock (RTC) and a 32.768 kHz crystal oscillator for use by the RTC.

11.1.1 Features

The RTC has the following features.

- Clock and calendar functions (BCD display)
Counts seconds, minutes, hours, day-of-week, days, months, and years.
- 1 to 64 Hz timer (binary display)
The 64 Hz counter register indicates a state of 64 Hz to 1 Hz within the RTC frequency divider
- Start/stop function
- 30-second adjustment function
- Alarm interrupts
Comparison with second, minute, hour, day-of-week, day, month, or year (year is available only with the SH7750R) can be selected as the alarm interrupt condition
- Periodic interrupts
An interrupt period of 1/256 second, 1/64 second, 1/16 second, 1/4 second, 1/2 second, 1 second, or 2 seconds can be selected
- Carry interrupt
Carry interrupt function indicating a second counter carry, or a 64 Hz counter carry when the 64 Hz counter is read
- Automatic leap year adjustment

11.1.2 Block Diagram

Figure 11.1 shows a block diagram of the RTC.

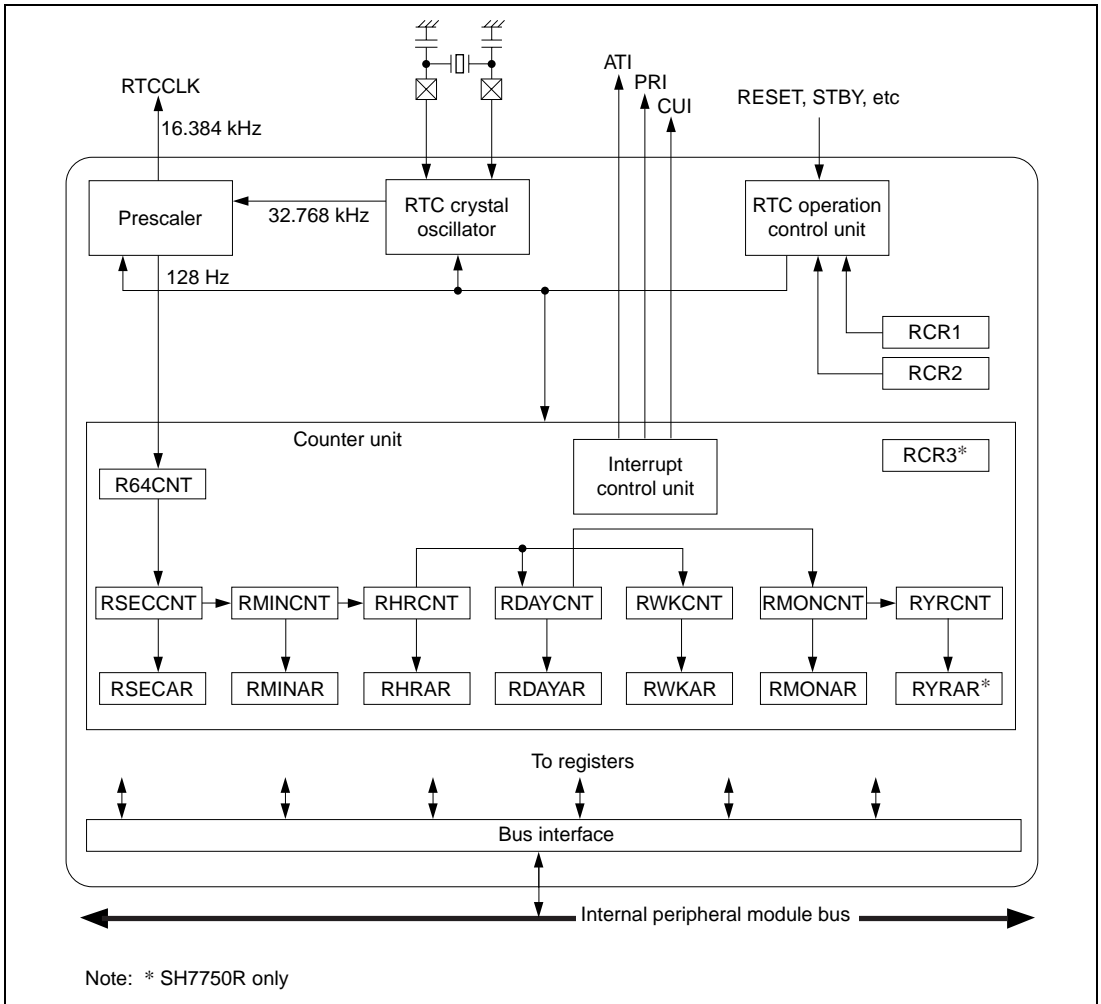


Figure 11.1 Block Diagram of RTC

11.1.3 Pin Configuration

Table 11.1 shows the RTC pins.

Table 11.1 RTC Pins

Pin Name	Abbreviation	I/O	Function
RTC oscillator crystal pin	EXTAL2	Input	Connects crystal to RTC oscillator
RTC oscillator crystal pin	XTAL2	Output	Connects crystal to RTC oscillator
Clock input/clock output	TCLK	I/O	External clock input pin/input capture control input pin/RTC output pin (shared with TMU)
Dedicated RTC power supply	VDD-RTC	—	RTC oscillator power supply pin*
Dedicated RTC GND pin	VSS-RTC	—	RTC oscillator GND pin*

Note: * Power must be supplied to the RTC power supply pins even when the RTC is not used.

11.1.4 Register Configuration

Table 11.2 summarizes the RTC registers.

Table 11.2 RTC Registers

Name	Abbreviation	R/W	Initialization				Initial Value	P4 Address	Area 7 Address	Access Size
			Power-On Reset	Manual Reset	Standby Mode					
64 Hz counter	R64CNT	R	Counts	Counts	Counts	Undefined	H'FFC80000	H'1FC80000	8	
Second counter	RSECCNT	R/W	Counts	Counts	Counts	Undefined	H'FFC80004	H'1FC80004	8	
Minute counter	RMINCNT	R/W	Counts	Counts	Counts	Undefined	H'FFC80008	H'1FC80008	8	
Hour counter	RHRCNT	R/W	Counts	Counts	Counts	Undefined	H'FFC8000C	H'1FC8000C	8	
Day-of-week counter	RWKCNT	R/W	Counts	Counts	Counts	Undefined	H'FFC80010	H'1FC80010	8	
Day counter	RDAYCNT	R/W	Counts	Counts	Counts	Undefined	H'FFC80014	H'1FC80014	8	

Table 11.2 RTC Registers (cont)

Name	Abbreviation	R/W	Initialization			Initial Value	P4 Address	Area 7 Address	Access Size
			Power-On Reset	Manual Reset	Standby Mode				
Month counter	RMONCNT	R/W	Counts	Counts	Counts	Undefined	H'FFC80018	H'1FC80018	8
Year counter	RYRCNT	R/W	Counts	Counts	Counts	Undefined	H'FFC8001C	H'1FC8001C	16
Second alarm register	RSECAR	R/W	Initialized ^{*1}	Held	Held	Undefined ^{*1}	H'FFC80020	H'1FC80020	8
Minute alarm register	RMINAR	R/W	Initialized ^{*1}	Held	Held	Undefined ^{*1}	H'FFC80024	H'1FC80024	8
Hour alarm register	RHRAR	R/W	Initialized ^{*1}	Held	Held	Undefined ^{*1}	H'FFC80028	H'1FC80028	8
Day-of-week alarm register	RWKAR	R/W	Initialized ^{*1}	Held	Held	Undefined ^{*1}	H'FFC8002C	H'1FC8002C	8
Day alarm register	RDAYAR	R/W	Initialized ^{*1}	Held	Held	Undefined ^{*1}	H'FFC80030	H'1FC80030	8
Month alarm register	RMONAR	R/W	Initialized ^{*1}	Held	Held	Undefined ^{*1}	H'FFC80034	H'1FC80034	8
RTC control register 1	RRCR1	R/W	Initialized	Initialized	Held	H'00 ^{*3}	H'FFC80038	H'1FC80038	8
RTC control register 2	RRCR2	R/W	Initialized	Initialized ^{*2}	Held	H'09 ^{*4}	H'FFC8003C	H'1FC8003C	8
RTC control register 3 ^{*5}	RRCR3	R/W	Initialized	Held	Held	H'00	H'FFC80050	H'1FC80050	8
Year alarm register ^{*5}	RYRAR	R/W	Held	Held	Held	Undefined	H'FFC80054	H'1FC80054	16

Notes: *1 The ENB bit in each register is initialized.

*2 Bits other than the RTCEN bit and START bit are initialized.

*3 The value of the CF bit and AF bit is undefined.

*4 The value of the PEF bit is undefined.

*5 SH7750R only

11.2 Register Descriptions

11.2.1 64 Hz Counter (R64CNT)

R64CNT is an 8-bit read-only register that indicates a state of 64 Hz to 1 Hz within the RTC frequency divider.

If this register is read when a carry is generated from the 128 kHz frequency division stage, bit 7 (CF) in RTC control register 1 (RCR1) is set to 1, indicating the simultaneous occurrence of the carry and the 64 Hz counter read. In this case, the read value is not valid, and so R64CNT must be read again after first writing 0 to the CF bit in RCR1 to clear it.

When the RESET bit or ADJ bit in RTC control register 2 (RCR2) is set to 1, the RTC frequency divider is initialized and R64CNT is initialized to H'00.

R64CNT is not initialized by a power-on or manual reset, or in standby mode.

Bit 7 is always read as 0 and cannot be modified.

Bit:	7	6	5	4	3	2	1	0
	—	1 Hz	2 Hz	4 Hz	8 Hz	16 Hz	32 Hz	64 Hz
Initial value:	0	Undefined	Undefined	Undefined	Undefined	Undefined	Undefined	Undefined
R/W:	R	R	R	R	R	R	R	R

11.2.2 Second Counter (RSECCNT)

RSECCNT is an 8-bit readable/writable register used as a counter for setting and counting the BCD-coded second value in the RTC. It counts on the carry (transition of the R64CNT.1Hz bit from 0 to 1) generated once per second by the 64 Hz counter.

The setting range is decimal 00 to 59. The RTC will not operate normally if any other value is set. Write processing should be performed after stopping the count with the START bit in RCR2, or by using the carry flag.

RSECCNT is not initialized by a power-on or manual reset, or in standby mode.

Bit 7 is always read as 0. A write to this bit is invalid, but the write value should always be 0.

Bit:	7	6	5	4	3	2	1	0
	—	10-second units			1-second units			
Initial value:	0	Undefined	Undefined	Undefined	Undefined	Undefined	Undefined	Undefined
R/W:	R	R/W	R/W	R/W	R/W	R/W	R/W	R/W

11.2.3 Minute Counter (RMINCNT)

RMINCNT is an 8-bit readable/writable register used as a counter for setting and counting the BCD-coded minute value in the RTC. It counts on the carry generated once per minute by the second counter.

The setting range is decimal 00 to 59. The RTC will not operate normally if any other value is set. Write processing should be performed after stopping the count with the START bit in RCR2, or by using the carry flag.

RMINCNT is not initialized by a power-on or manual reset, or in standby mode.

Bit 7 is always read as 0. A write to this bit is invalid, but the write value should always be 0.

Bit:	7	6	5	4	3	2	1	0
	—	10-minute units			1-minute units			
Initial value:	0	Undefined	Undefined	Undefined	Undefined	Undefined	Undefined	Undefined
R/W:	R	R/W	R/W	R/W	R/W	R/W	R/W	R/W

11.2.4 Hour Counter (RHRCNT)

RHRCNT is an 8-bit readable/writable register used as a counter for setting and counting the BCD-coded hour value in the RTC. It counts on the carry generated once per hour by the minute counter.

The setting range is decimal 00 to 23. The RTC will not operate normally if any other value is set. Write processing should be performed after stopping the count with the START bit in RCR2, or by using the carry flag.

RHRCNT is not initialized by a power-on or manual reset, or in standby mode.

Bits 7 and 6 are always read as 0. A write to these bits is invalid, but the write value should always be 0.

Bit:	7	6	5	4	3	2	1	0
	—	—	10-hour units		1-hour units			
Initial value:	0	0	Undefined	Undefined	Undefined	Undefined	Undefined	Undefined
R/W:	R	R	R/W	R/W	R/W	R/W	R/W	R/W

11.2.5 Day-of-Week Counter (RWKCNT)

RWKCNT is an 8-bit readable/writable register used as a counter for setting and counting the BCD-coded day-of-week value in the RTC. It counts on the carry generated once per day by the hour counter.

The setting range is decimal 0 to 6. The RTC will not operate normally if any other value is set. Write processing should be performed after stopping the count with the START bit in RCR2, or by using the carry flag.

RWKCNT is not initialized by a power-on or manual reset, or in standby mode.

Bits 7 to 3 are always read as 0. A write to these bits is invalid, but the write value should always be 0.

Bit:	7	6	5	4	3	2	1	0
	—	—	—	—	—	Day of week code		
Initial value:	0	0	0	0	0	Undefined	Undefined	Undefined
R/W:	R	R	R	R	R	R/W	R/W	R/W

Day-of-week code	0	1	2	3	4	5	6
Day of week	Sun	Mon	Tue	Wed	Thu	Fri	Sat

11.2.6 Day Counter (RDAYCNT)

RDAYCNT is an 8-bit readable/writable register used as a counter for setting and counting the BCD-coded day value in the RTC. It counts on the carry generated once per day by the hour counter.

The setting range is decimal 01 to 31. The RTC will not operate normally if any other value is set. Write processing should be performed after stopping the count with the START bit in RCR2, or by using the carry flag.

RDAYCNT is not initialized by a power-on or manual reset, or in standby mode.

The setting range for RDAYCNT depends on the month and whether the year is a leap year, so care is required when making the setting. Taking the year counter (RYRCNT) value as the year, leap year calculation is performed according to whether or not the value is divisible by 400, 100, and 4.

Bits 7 and 6 are always read as 0. A write to these bits is invalid, but the write value should always be 0.

Bit:	7	6	5	4	3	2	1	0
	—	—	10-day units		1-day units			
Initial value:	0	0	Undefined	Undefined	Undefined	Undefined	Undefined	Undefined
R/W:	R	R	R/W	R/W	R/W	R/W	R/W	R/W

11.2.7 Month Counter (RMONCNT)

RMONCNT is an 8-bit readable/writable register used as a counter for setting and counting the BCD-coded month value in the RTC. It counts on the carry generated once per month by the day counter.

The setting range is decimal 01 to 12. The RTC will not operate normally if any other value is set. Write processing should be performed after stopping the count with the START bit in RCR2, or by using the carry flag.

RMONCNT is not initialized by a power-on or manual reset, or in standby mode.

Bits 7 to 5 are always read as 0. A write to these bits is invalid, but the write value should always be 0.

Bit:	7	6	5	4	3	2	1	0
	—	—	—	10-month unit	1-month units			
Initial value:	0	0	0	Undefined	Undefined	Undefined	Undefined	Undefined
R/W:	R	R	R	R/W	R/W	R/W	R/W	R/W

11.2.8 Year Counter (RYRCNT)

RYRCNT is a 16-bit readable/writable register used as a counter for setting and counting the BCD-coded year value in the RTC. It counts on the carry generated once per year by the month counter.

The setting range is decimal 0000 to 9999. The RTC will not operate normally if any other value is set. Write processing should be performed after stopping the count with the START bit in RCR2, or by using the carry flag.

RYRCNT is not initialized by a power-on or manual reset, or in standby mode.

Bit:	15	14	13	12	11	10	9	8
	1000-year units				100-year units			
Initial value:	Undefined	Undefined	Undefined	Undefined	Undefined	Undefined	Undefined	Undefined
R/W:	R/W	R/W	R/W	R/W	R/W	R/W	R/W	R/W

Bit:	7	6	5	4	3	2	1	0
	10-year units				1-year units			
Initial value:	Undefined	Undefined	Undefined	Undefined	Undefined	Undefined	Undefined	Undefined
R/W:	R/W	R/W	R/W	R/W	R/W	R/W	R/W	R/W

11.2.9 Second Alarm Register (RSECAR)

RSECAR is an 8-bit readable/writable register used as an alarm register for the RTC's BCD-coded second value counter, RSECCNT. When the ENB bit is set to 1, the RSECAR value is compared with the RSECCNT value. Comparison between the counter and the alarm register is performed for those registers among RSECAR, RMINAR, RHRAR, RWKAR, RDAYAR, and RMONAR in which the ENB bit is set to 1, and the RCR1 alarm flag is set when the respective values all match.

The setting range is decimal 00 to 59 + ENB bit. The RTC will not operate normally if any other value is set.

The ENB bit in RSECAR is initialized to 0 by a power-on reset. The other fields in RSECAR are not initialized by a power-on or manual reset, or in standby mode.

Bit:	7	6	5	4	3	2	1	0
	ENB	10-second units			1-second units			
Initial value:	0	Undefined	Undefined	Undefined	Undefined	Undefined	Undefined	Undefined
R/W:	R/W	R/W	R/W	R/W	R/W	R/W	R/W	R/W

11.2.10 Minute Alarm Register (RMINAR)

RMINAR is an 8-bit readable/writable register used as an alarm register for the RTC's BCD-coded minute value counter, RMINCNT. When the ENB bit is set to 1, the RMINAR value is compared with the RMINCNT value. Comparison between the counter and the alarm register is performed for those registers among RSECAR, RMINAR, RHRAR, RWKAR, RDAYAR, and RMONAR in which the ENB bit is set to 1, and the RCR1 alarm flag is set when the respective values all match.

The setting range is decimal 00 to 59 + ENB bit. The RTC will not operate normally if any other value is set.

The ENB bit in RMINAR is initialized by a power-on reset. The other fields in RMINAR are not initialized by a power-on or manual reset, or in standby mode.

Bit:	7	6	5	4	3	2	1	0
	ENB	10-minute units			1-minute units			
Initial value:	0	Undefined	Undefined	Undefined	Undefined	Undefined	Undefined	Undefined
R/W:	R/W	R/W	R/W	R/W	R/W	R/W	R/W	R/W

11.2.11 Hour Alarm Register (RHRAR)

RHRAR is an 8-bit readable/writable register used as an alarm register for the RTC's BCD-coded hour value counter, RHCNT. When the ENB bit is set to 1, the RHRAR value is compared with the RHCNT value. Comparison between the counter and the alarm register is performed for those registers among RSECAR, RMINAR, RHRAR, RWKAR, RDAYAR, and RMONAR in which the ENB bit is set to 1, and the RCR1 alarm flag is set when the respective values all match.

The setting range is decimal 00 to 23 + ENB bit. The RTC will not operate normally if any other value is set.

The ENB bit in RHRAR is initialized by a power-on reset. The other fields in RHRAR are not initialized by a power-on or manual reset, or in standby mode.

Bit 6 is always read as 0. A write to this bit is invalid, but the write value should always be 0.

Bit:	7	6	5	4	3	2	1	0
	ENB	—	10-hour units		1-hour units			
Initial value:	0	0	Undefined	Undefined	Undefined	Undefined	Undefined	Undefined
R/W:	R/W	R	R/W	R/W	R/W	R/W	R/W	R/W

11.2.12 Day-of-Week Alarm Register (RWKAR)

RWKAR is an 8-bit readable/writable register used as an alarm register for the RTC's BCD-coded day-of-week value counter, RWKCNT. When the ENB bit is set to 1, the RWKAR value is compared with the RWKCNT value. Comparison between the counter and the alarm register is performed for those registers among RSECAR, RMINAR, RHRAR, RWKAR, RDAYAR, and RMONAR in which the ENB bit is set to 1, and the RCR1 alarm flag is set when the respective values all match.

The setting range is decimal 0 to 6 + ENB bit. The RTC will not operate normally if any other value is set.

The ENB bit in RWKAR is initialized by a power-on reset. The other fields in RWKAR are not initialized by a power-on or manual reset, or in standby mode.

Bits 6 to 3 are always read as 0. A write to these bits is invalid, but the write value should always be 0.

Bit:	7	6	5	4	3	2	1	0
	ENB	—	—	—	—	Day of week code		
Initial value:	0	0	0	0	0	Undefined	Undefined	Undefined
R/W:	R/W	R	R	R	R	R/W	R/W	R/W

Day-of-week code	0	1	2	3	4	5	6
Day of week	Sun	Mon	Tue	Wed	Thu	Fri	Sat

11.2.13 Day Alarm Register (RDAYAR)

RDAYAR is an 8-bit readable/writable register used as an alarm register for the RTC's BCD-coded day value counter, RDAYCNT. When the ENB bit is set to 1, the RDAYAR value is compared with the RDAYCNT value. Comparison between the counter and the alarm register is performed for those registers among RSECAR, RMINAR, RHRAR, RWKAR, RDAYAR, and RMONAR in which the ENB bit is set to 1, and the RCR1 alarm flag is set when the respective values all match.

The setting range is decimal 01 to 31 + ENB bit. The RTC will not operate normally if any other value is set. The setting range for RDAYAR depends on the month and whether the year is a leap year, so care is required when making the setting.

The ENB bit in RDAYAR is initialized by a power-on reset. The other fields in RDAYAR are not initialized by a power-on or manual reset, or in standby mode.

Bit 6 is always read as 0. A write to this bit is invalid, but the write value should always be 0.

Bit:	7	6	5	4	3	2	1	0
	ENB	—	10-day units		1-day units			
Initial value:	0	0	Undefined	Undefined	Undefined	Undefined	Undefined	Undefined
R/W:	R/W	R	R/W	R/W	R/W	R/W	R/W	R/W

11.2.14 Month Alarm Register (RMONAR)

RMONAR is an 8-bit readable/writable register used as an alarm register for the RTC's BCD-coded month value counter, RMONCNT. When the ENB bit is set to 1, the RMONAR value is compared with the RMONCNT value. Comparison between the counter and the alarm register is performed for those registers among RSECAR, RMINAR, RHRAR, RWKAR, RDAYAR, and RMONAR in which the ENB bit is set to 1, and the RCR1 alarm flag is set when the respective values all match.

The setting range is decimal 01 to 12 + ENB bit. The RTC will not operate normally if any other value is set.

The ENB bit in RMONAR is initialized by a power-on reset. The other fields in RMONAR are not initialized by a power-on or manual reset, or in standby mode.

Bits 6 and 5 are always read as 0. A write to these bits is invalid, but the write value should always be 0.

Bit:	7	6	5	4	3	2	1	0
	ENB	—	—	10-month unit	1-month units			
Initial value:	0	0	0	Undefined	Undefined	Undefined	Undefined	Undefined
R/W:	R/W	R	R	R/W	R/W	R/W	R/W	R/W

11.2.15 RTC Control Register 1 (RCR1)

RCR1 is an 8-bit readable/writable register containing a carry flag and alarm flag, plus flags to enable or disable interrupts for these flags.

The CIE and AIE bits are initialized to 0 by a power-on or manual reset; the value of bits other than CIE and AIE is undefined. In standby mode RCR1 is not initialized, and retains its current value.

Bit:	7	6	5	4	3	2	1	0
	CF	—	—	CIE	AIE	—	—	AF
Initial value:	Undefined	Undefined	Undefined	0	0	Undefined	Undefined	Undefined
R/W:	R/W	R	R	R/W	R/W	R	R	R/W

Bit 7—Carry Flag (CF): This flag is set to 1 on generation of a second counter carry, or a 64 Hz counter carry when the 64 Hz counter is read. The count register value read at this time is not guaranteed, and so the count register must be read again.

Bit 7: CF	Description
0	No second counter carry, or 64 Hz counter carry when 64 Hz counter is read [Clearing condition] When 0 is written to CF
1	Second counter carry, or 64 Hz counter carry when 64 Hz counter is read [Setting conditions] <ul style="list-style-type: none"> • Generation of a second counter carry, or a 64 Hz counter carry when the 64 Hz counter is read • When 1 is written to CF

Bit 4—Carry Interrupt Enable Flag (CIE): Enables or disables interrupt generation when the carry flag (CF) is set to 1.

Bit 4: CIE	Description
0	Carry interrupt is not generated when CF flag is set to 1 (Initial value)
1	Carry interrupt is generated when CF flag is set to 1

Bit 3—Alarm Interrupt Enable Flag (AIE): Enables or disables interrupt generation when the alarm flag (AF) is set to 1.

Bit 3: AIE	Description
0	Alarm interrupt is not generated when AF flag is set to 1 (Initial value)
1	Alarm interrupt is generated when AF flag is set to 1

Bit 0—Alarm Flag (AF): Set to 1 when the alarm time set in those registers among RSECAR, RMINAR, RHRAR, RWKAR, RDAYAR, and RMONAR in which the ENB bit is set to 1 matches the respective counter values.

Bit 0: AF	Description
0	Alarm registers and counter values do not match (Initial value) [Clearing condition] When 0 is written to AF
1	Alarm registers and counter values match* [Setting condition] When alarm registers in which the ENB bit is set to 1 and counter values match*

Note: * Writing 1 does not change the value.

Bits 6, 5, 2, and 1—Reserved. The initial value of these bits is undefined. A write to these bits is invalid, but the write value should always be 0.

11.2.16 RTC Control Register 2 (RCR2)

RCR2 is an 8-bit readable/writable register used for periodic interrupt control, 30-second adjustment, and frequency divider RESET and RTC count control.

RCR2 is basically initialized to H'09 by a power-on reset, except that the value of the PEF bit is undefined. In a manual reset, bits other than RTCEN and START are initialized, while the value of the PEF bit is undefined. In standby mode RCR2 is not initialized, and retains its current value.

Bit:	7	6	5	4	3	2	1	0
	PEF	PES2	PES1	PES0	RTCEN	ADJ	RESET	START
Initial value:	Undefined	0	0	0	1	0	0	1
R/W:	R/W	R/W	R/W	R/W	R/W	R/W	R/W	R/W

Bit 7—Periodic Interrupt Flag (PEF): Indicates interrupt generation at the interval specified by bits PES2–PES0. When this flag is set to 1, a periodic interrupt is generated.

Bit 7: PEF	Description
0	Interrupt is not generated at interval specified by bits PES2–PES0 [Clearing condition] When 0 is written to PEF
1	Interrupt is generated at interval specified by bits PES2–PES0 [Setting conditions] <ul style="list-style-type: none"> • Generation of interrupt at interval specified by bits PES2–PES0 • When 1 is written to PEF

Bits 6 to 4—Periodic Interrupt Enable (PES2–PES0): These bits specify the period for periodic interrupts.

Bit 6: PES2	Bit 5: PES1	Bit 4: PES0	Description
0	0	0	No periodic interrupt generation (Initial value)
		1	Periodic interrupt generated at 1/256-second intervals
	1	0	Periodic interrupt generated at 1/64-second intervals
		1	Periodic interrupt generated at 1/16-second intervals
1	0	0	Periodic interrupt generated at 1/4-second intervals
		1	Periodic interrupt generated at 1/2-second intervals
	1	0	Periodic interrupt generated at 1-second intervals
		1	Periodic interrupt generated at 2-second intervals

Bit 3—Oscillator Enable (RTCEN): Controls the operation of the RTC's crystal oscillator.

Bit 3: RTCEN	Description
0	RTC crystal oscillator is halted
1	RTC crystal oscillator is operated (Initial value)

Bit 2—30-Second Adjustment (ADJ): Used for 30-second adjustment. When 1 is written to this bit, a value up to 29 seconds is rounded down to 00 seconds, and a value of 30 seconds or more is rounded up to 1 minute. The frequency divider circuits (RTC prescaler and R64CNT) are also reset at this time. This bit always returns 0 if read.

Bit 2: ADJ	Description	
0	Normal clock operation	(Initial value)
1	30-second adjustment performed	

Bit 1—Reset (RESET): The frequency divider circuits are initialized by writing 1 to this bit. When 1 is written to the RESET bit, the frequency divider circuits (RTC prescaler and R64CNT) are reset and the RESET bit is automatically cleared to 0 (i.e. does not need to be written with 0).

Bit 1: RESET	Description	
0	Normal clock operation	(Initial value)
1	Frequency divider circuits are reset	

Bit 0—Start Bit (START): Stops and restarts counter (clock) operation.

Bit 0: START	Description	
0	Second, minute, hour, day, day-of-week, month, and year counters are stopped*	
1	Second, minute, hour, day, day-of-week, month, and year counters operate normally*	(Initial value)

Note: *The 64 Hz counter continues to operate unless stopped by means of the RTCEN bit.

11.2.17 RTC Control Register 3 (RCR3) and Year-Alarm Register (RYRAR) (SH7750R Only)

RCR3 and RYRAR are readable/writable registers. RYRAR is the alarm register for the RTC's BCD-coded year-value counter RYRCNT. When the YENB bit of RCR3 is set to 1, the RYRCNT value is compared with the RYRAR value. Comparison between the counter and the alarm register only takes place with the alarm registers in which the ENB and YENB bits are set to 1. The alarm flag of RCR1 is only set to 1 when the respective values all match.

The setting range of RYRAR is decimal 0000 to 9999, and normal operation is not obtained if a value beyond this range is set here.

RCR3 is initialized by a power-on reset, but RYRAR will not be initialized by a power-on or manual reset, or by the device entering standby mode.

Bits 6 to 0 of RCR3 are always read as 0. Writing to these bits is invalid. If a value is written to these bits, it should always be 0.

RCR3

Bit:	7	6	5	4	3	2	1	0
	YENB	—	—	—	—	—	—	—
Initial value:	0	0	0	0	0	0	0	0
R/W:	R/W	R	R	R	R	R	R	R

RYRAR

Bit:	15	14	13	12	11	10	9	8
	1000 years				100 years			
Initial value:	Undefined	Undefined	Undefined	Undefined	Undefined	Undefined	Undefined	Undefined
R/W:	R/W	R/W	R/W	R/W	R/W	R/W	R/W	R/W

Bit:	7	6	5	4	3	2	1	0
	10 years				1 year			
Initial value:	Undefined	Undefined	Undefined	Undefined	Undefined	Undefined	Undefined	Undefined
R/W:	R/W	R/W	R/W	R/W	R/W	R/W	R/W	R/W

11.3 Operation

Examples of the use of the RTC are shown below.

11.3.1 Time Setting Procedures

Figure 11.2 shows examples of the time setting procedures.

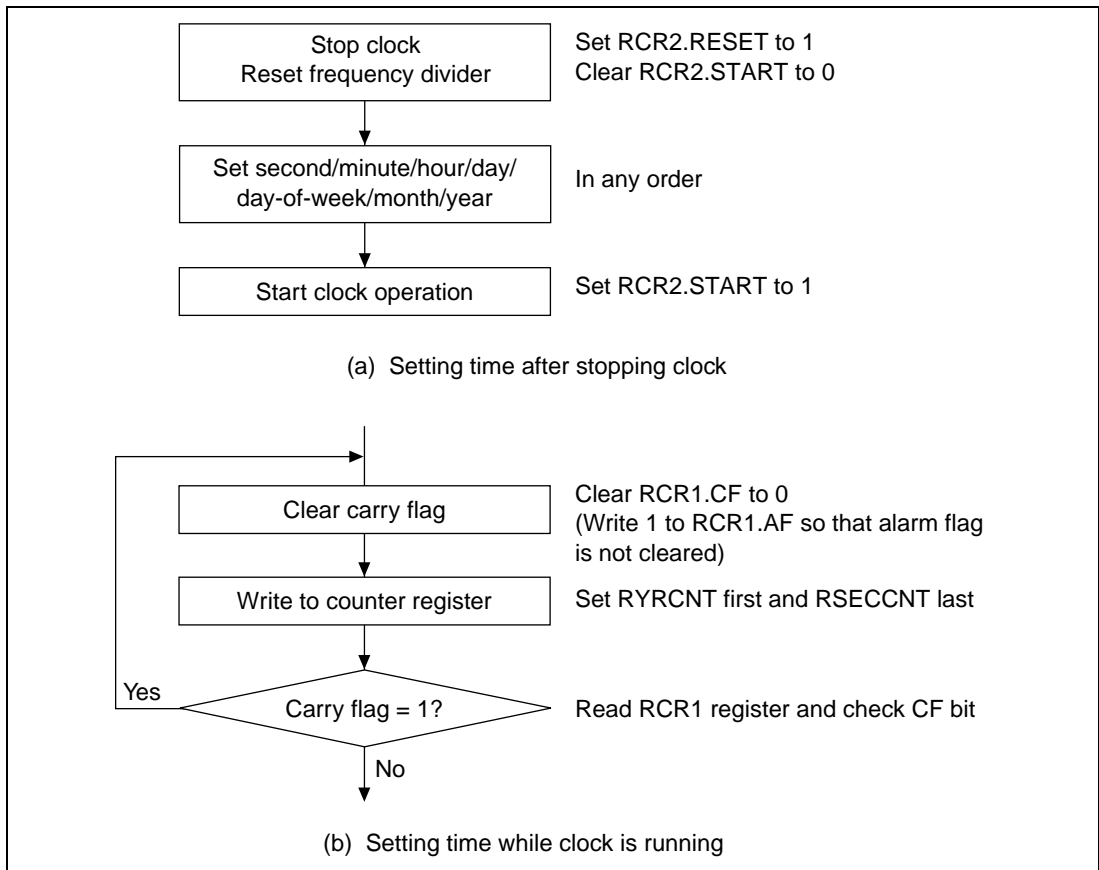


Figure 11.2 Examples of Time Setting Procedures

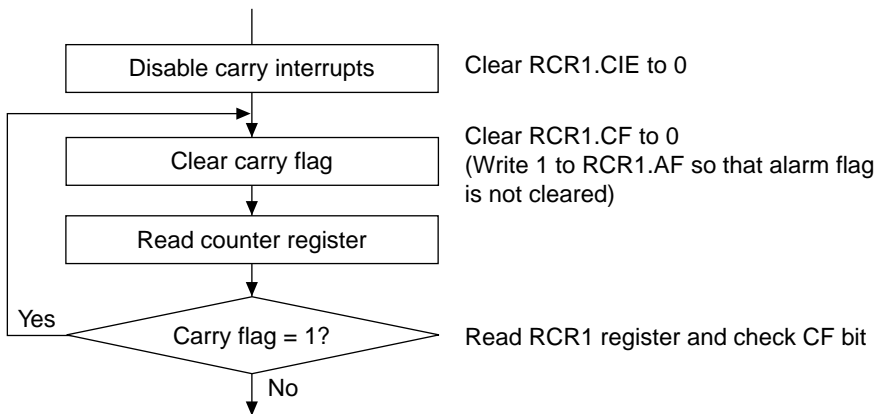
The procedure for setting the time after stopping the clock is shown in (a). The programming for this method is simple, and it is useful for setting all the counters, from second to year.

The procedure for setting the time while the clock is running is shown in (b). This method is useful for modifying only certain counter values (for example, only the second data or hour data). If a carry occurs during the write operation, the write data is automatically updated and there will be an error in the set data. The carry flag should therefore be used to check the write status. If the carry flag (RCR1.CF) is set to 1, the write must be repeated.

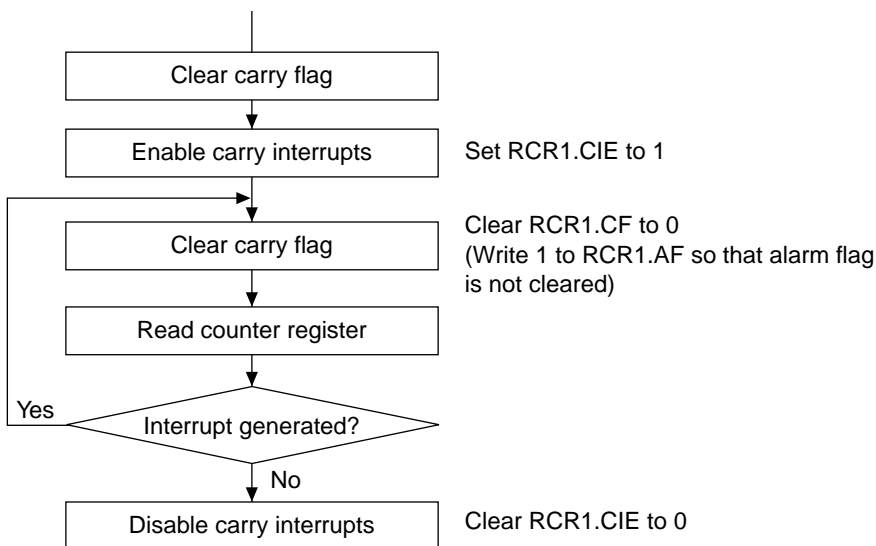
The interrupt function can also be used to determine the carry flag status.

11.3.2 Time Reading Procedures

Figure 11.3 shows examples of the time reading procedures.



(a) Reading time without using interrupts



(b) Reading time using interrupts

Figure 11.3 Examples of Time Reading Procedures

If a carry occurs while the time is being read, the correct time will not be obtained and the read must be repeated. The procedure for reading the time without using interrupts is shown in (a), and the procedure using carry interrupts in (b). The method without using interrupts is normally used to keep the program simple.

11.3.3 Alarm Function

The use of the alarm function is illustrated in figure 11.4.

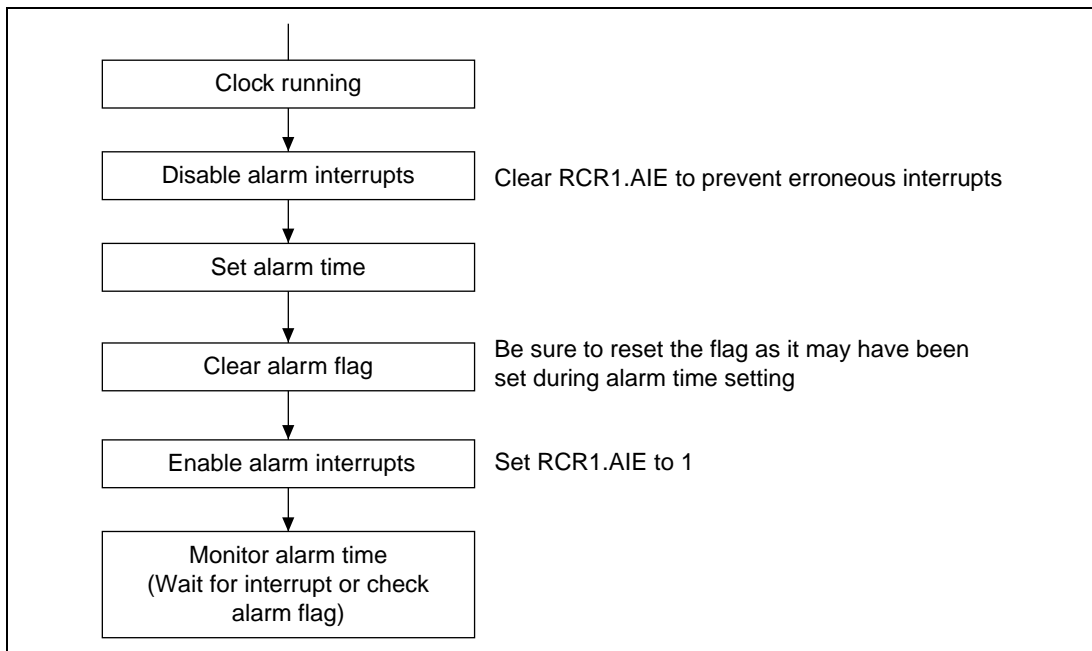


Figure 11.4 Example of Use of Alarm Function

An alarm can be generated by the second, minute, hour, day-of-week, day, month, or year (year is available only with the SH7750R) value, or a combination of these. Write 1 to the ENB bit in the alarm registers involved in the alarm setting, and set the alarm time in the lower bits. Write 0 to the ENB bit in registers not involved in the alarm setting.

When the counter and the alarm time match, RCR1.AF is set to 1. Alarm detection can be confirmed by reading this bit, but normally an interrupt is used. If 1 has been written to RCR1.AIE, an alarm interrupt is generated in the event of alarm, enabling the alarm to be detected.

The alarm flag remains set while the counter and alarm time match. If the alarm flag is cleared by writing 0 during this period, it will therefore be set again immediately afterward. This needs to be taken into consideration when writing the program.

11.4 Interrupts

There are three kinds of RTC interrupt: alarm interrupts, periodic interrupts, and carry interrupts.

An alarm interrupt request (ATI) is generated when the alarm flag (AF) in RCR1 is set to 1 while the alarm interrupt enable bit (AIE) is also set to 1.

A periodic interrupt request (PRI) is generated when the periodic interrupt enable bits (PES2–PES0) in RCR2 are set to a value other than 000 and the periodic interrupt flag (PEF) is set to 1.

A carry interrupt request (CUI) is generated when the carry flag (CF) in RCR1 is set to 1 while the carry interrupt enable bit (CIE) is also set to 1.

11.5 Usage Notes

11.5.1 Register Initialization

After powering on and making the RCR1 register settings, reset the frequency divider (by setting RCR2.RESET to 1) and make initial settings for all the other registers.

11.5.2 Carry Flag and Interrupt Flag in Standby Mode

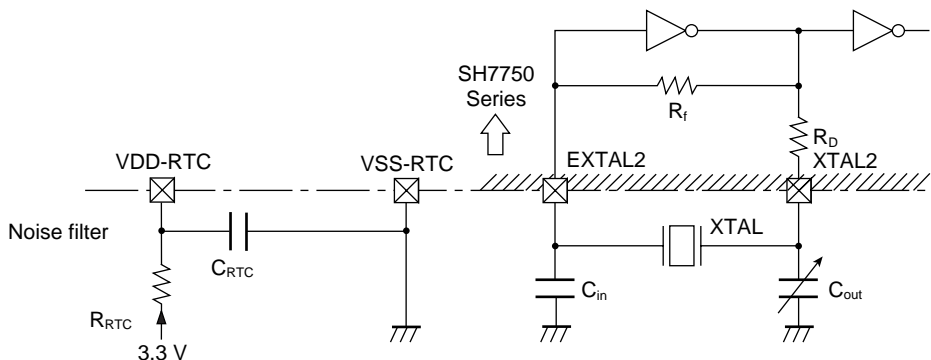
When the carry flag or interrupt flag is set to 1 at the same time this LSI transits to normal mode from standby mode by a reset or interrupt, the flag may not be set to 1. After exiting standby mode, check the counters to judge the flag states if necessary.

11.5.3 Crystal Oscillator Circuit

Crystal oscillator circuit constants (recommended values) are shown in table 11.3, and the RTC crystal oscillator circuit in figure 11.5.

Table 11.3 Crystal Oscillator Circuit Constants (Recommended Values)

f_{osc}	C_{in}	C_{out}
32.768 kHz	10–22 pF	10–22 pF



- Notes:
1. Select either the C_{in} or C_{out} side for the frequency adjustment variable capacitor according to requirements such as the adjustment range, degree of stability, etc.
 2. Built-in resistance value R_f (typ. value) = 10 M Ω , R_D (typ. value) = 400 k Ω
 3. C_{in} and C_{out} values include floating capacitance due to the wiring. Take care when using a solid-earth board.
 4. The crystal oscillation stabilization time depends on the mounted circuit constants, floating capacitance, etc., and should be decided after consultation with the crystal resonator manufacturer.
 5. Place the crystal resonator and load capacitors C_{in} and C_{out} as close as possible to the chip. (Correct oscillation may not be possible if there is externally induced noise in the EXTAL2 and XTAL2 pins.)
 6. Ensure that the crystal resonator connection pin (EXTAL2 and XTAL2) wiring is routed as far away as possible from other power lines (except GND) and signal lines.
 7. Insert a noise filter in the RTC power supply.

Figure 11.5 Example of Crystal Oscillator Circuit Connection

Section 12 Timer Unit (TMU)

12.1 Overview

The SH7750 Series of microprocessors include an on-chip 32-bit timer unit (TMU). The TMU of the SH7750 or SH7750S has three 32-bit timer channels (channels 0 to 2), and the TMU of the SH7750R has five channels (channels 0 to 4).

12.1.1 Features

The TMU has the following features.

- Auto-reload type 32-bit down-counter provided for each channel
- Input capture function provided in channel 2
- Selection of rising edge or falling edge as external clock input edge when external clock is selected or input capture function is used
- 32-bit timer constant register for auto-reload use, readable/writable at any time, and 32-bit down-counter provided for each channel
- For channels 0 to 2, selection of seven counter input clocks for each channel
External clock (TCLK), on-chip RTC output clock, five internal clocks ($P\phi/4$, $P\phi/16$, $P\phi/64$, $P\phi/256$, $P\phi/1024$) ($P\phi$ is the peripheral module clock)
- For channels 3 and 4, selection is made among five internal clocks (SH7750R only).
- Channels 0 to 2 can also operate in module standby mode when the on-chip RTC output clock is selected as the counter input clock; that is, timer operation continues even when the clock has been stopped for the TMU.
Timer count operations using an external or internal clock are only possible when a clock is supplied to the timer unit.
- Two interrupt sources
One underflow source (each channel) and one input capture source (channel 2)
- DMAC data transfer request capability
On channel 2, a data transfer request is sent to the DMAC when an input capture interrupt is generated.

12.1.2 Block Diagram

Figure 12.1 shows a block diagram of the TMU.

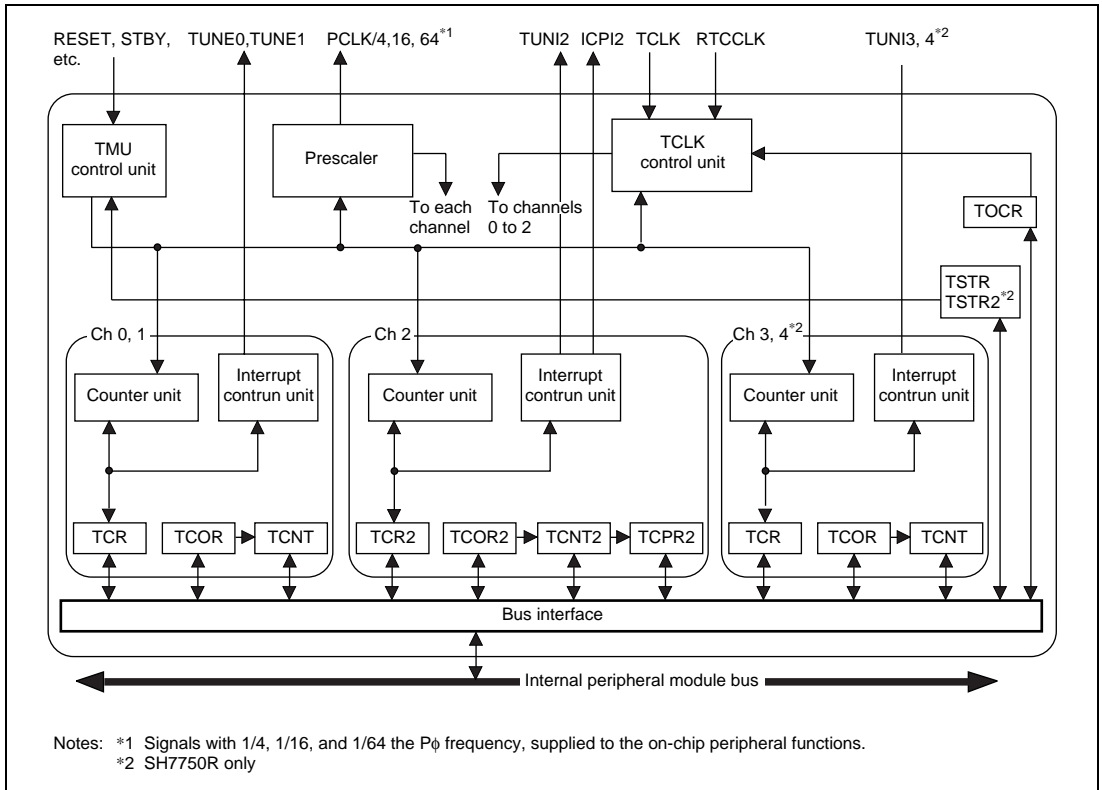


Figure 12.1 Block Diagram of TMU

12.1.3 Pin Configuration

Table 12.1 shows the TMU pins.

Table 12.1 TMU Pins

Pin Name	Abbreviation	I/O	Function
Clock input/clock output	TCLK	I/O	External clock input pin/input capture control input pin/RTC output pin (shared with RTC)

12.1.4 Register Configuration

Table 12.2 summarizes the TMU registers.

Table 12.2 TMU Registers

Channel	Name	Abbreviation	R/W	Initialization			Initial Value	P4 Address	Area 7 Address	Access Size
				Power-On Reset	Manual Reset	Stand-by Mode				
Common	Timer output control register	TOCR	R/W	Initialized	Initialized	Held	H'00	H'FFD80000	H'1FD80000	8
	Timer start register	TSTR	R/W	Initialized	Initialized	Initialized*1	H'00	H'FFD80004	H'1FD80004	8
	Timer start register 2	TSTR2*3	R/W	Initialized	Held	Held	H'00	H'FE100004	H'1E100004	8
0	Timer constant register 0	TCOR0	R/W	Initialized	Initialized	Held	H'FFFFFFFF	H'FFD80008	H'1FD80008	32
	Timer counter 0	TCNT0	R/W	Initialized	Initialized	Held*2	H'FFFFFFFF	H'FFD8000C	H'1FD8000C	32
	Timer control register 0	TCR0	R/W	Initialized	Initialized	Held	H'0000	H'FFD80010	H'1FD80010	16
1	Timer constant register 1	TCOR1	R/W	Initialized	Initialized	Held	H'FFFFFFFF	H'FFD80014	H'1FD80014	32
	Timer counter 1	TCNT1	R/W	Initialized	Initialized	Held*2	H'FFFFFFFF	H'FFD80018	H'1FD80018	32
	Timer control register 1	TCR1	R/W	Initialized	Initialized	Held	H'0000	H'FFD8001C	H'1FD8001C	16
2	Timer constant register 2	TCOR2	R/W	Initialized	Initialized	Held	H'FFFFFFFF	H'FFD80020	H'1FD80020	32
	Timer counter 2	TCNT2	R/W	Initialized	Initialized	Held*2	H'FFFFFFFF	H'FFD80024	H'1FD80024	32
	Timer control register 2	TCR2	R/W	Initialized	Initialized	Held	H'0000	H'FFD80028	H'1FD80028	16
	Input capture register	TCPR2	R	Held	Held	Held	Undefined	H'FFD8002C	H'1FD8002C	32

Initialization

Channel	Name	Abbreviation	R/W	Power-On		Stand-by		Initial Value	P4 Address	Area 7 Address	Access Size
				Reset	Reset	Manual Reset	Mode				
3* ³	Timer constant register 3	TCOR3	R/W	Ini-tialized	Held	Held	H'FFFFFFF	H'FE10008	H'1E10008	32	
	Timer counter 3	TCNT3	R/W	Ini-tialized	Held	Held	H'FFFFFFF	H'FE1000C	H'1E1000C	32	
	Timer control register 3	TCR3	R/W	Ini-tialized	Held	Held	H'0000	H'FE10010	H'1E10010	16	
4* ³	Timer constant register 4	TCOR4	R/W	Ini-tialized	Held	Held	H'FFFFFFF	H'FE10014	H'1E10014	32	
	Timer counter 4	TCNT4	R/W	Ini-tialized	Held	Held	H'FFFFFFF	H'FE10018	H'1E10018	32	
	Timer control register 4	TCR4	R/W	Ini-tialized	Held	Held	H'0000	H'FE1001C	H'1E1001C	16	

Notes: *1 Not initialized in module standby mode when the input clock is the on-chip RTC output clock.

*2 Counts in module standby mode when the input clock is the on-chip RTC output clock.

*3 SH7750R only

12.2 Register Descriptions

12.2.1 Timer Output Control Register (TOCR)

TOCR is an 8-bit readable/writable register that specifies whether external pin TCLK is used as the external clock or input capture control input pin, or as the on-chip RTC output clock output pin.

TOCR is initialized to H'00 by a power-on or manual reset, but is not initialized in standby mode.

Bit:	7	6	5	4	3	2	1	0
	—	—	—	—	—	—	—	TCOE
Initial value:	0	0	0	0	0	0	0	0
R/W:	R	R	R	R	R	R	R	R/W

Bits 7 to 1—Reserved: These bits are always read as 0. A write to these bits is invalid, but the write value should always be 0.

Bit 0—Timer Clock Pin Control (TCOE): Specifies whether timer clock pin TCLK is used as the external clock or input capture control input pin, or as the on-chip RTC output clock output pin.

Bit 0: TCOE	Description
0	Timer clock pin (TCLK) is used as external clock input or input capture control input pin (Initial value)
1	Timer clock pin (TCLK) is used as on-chip RTC output clock output pin*

Note: * Low level output in standby mode.

12.2.2 Timer Start Register (TSTR)

TSTR is an 8-bit readable/writable register that specifies whether the channel 0–2 timer counters (TCNT) are operated or stopped.

TSTR is initialized to H'00 by a power-on or manual reset, or standby mode. In module standby mode, TSTR is not initialized when the input clock selected by each channel is the on-chip RTC output clock (RTCCLK), and is initialized only when the input clock is the external clock (TCLK) or internal clock (Pφ).

Bit:	7	6	5	4	3	2	1	0
	—	—	—	—	—	STR2	STR1	STR0
Initial value:	0	0	0	0	0	0	0	0
R/W:	R	R	R	R	R	R/W	R/W	R/W

Bits 7 to 3—Reserved: These bits are always read as 0. A write to these bits is invalid, but the write value should always be 0.

Bit 2—Counter Start 2 (STR2): Specifies whether timer counter 2 (TCNT2) is operated or stopped.

Bit 2: STR2	Description
0	TCNT2 count operation is stopped (Initial value)
1	TCNT2 performs count operation

Bit 1—Counter Start 1 (STR1): Specifies whether timer counter 1 (TCNT1) is operated or stopped.

Bit 1: STR1	Description
0	TCNT1 count operation is stopped (Initial value)
1	TCNT1 performs count operation

Bit 0—Counter Start 0 (STR0): Specifies whether timer counter 0 (TCNT0) is operated or stopped.

Bit 0: STR0	Description
0	TCNT0 count operation is stopped (Initial value)
1	TCNT0 performs count operation

12.2.3 Timer Start Register 2 (TSTR2) (SH7750R Only)

TSTR2 is an 8-bit readable/writable register that specifies whether the channels 3–4 timer counters (TSTR2) run or are stopped.

TSTR2 is initialized to H'00 by a power-on reset and retains its value in standby mode. If standby mode is entered when the STR3 or STR4 bit is set to 1, counting is halted at the same time as the peripheral module clock is stopped. Counting is restarted on resumption of the clock-signal supply.

Bit:	7	6	5	4	3	2	1	0
	—	—	—	—	—	—	STR4	STR3
Initial value:	0	0	0	0	0	0	0	0
R/W:	R	R	R	R	R	R	R/W	R/W

Bits 7 to 2—Reserved: These bits are always read as 0. Writing to these bits is invalid. If a value is written to these bits, it should always be 0.

Bit 1—Counter Start 4 (STR4): Specifies whether timer counter 4 (TCNT4) runs or is stopped.

Bit 1: STR4	Description
0	Counting by TCNT4 is stopped (Initial value)
1	Counting by TCNT4 proceeds

Bit 0—Counter Start 3 (STR3): Specifies whether timer counter 3 (TCNT3) runs or is stopped.

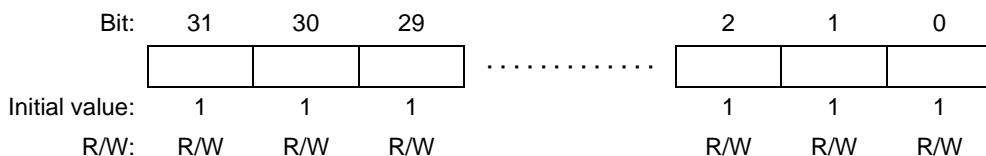
Bit 0: STR3	Description
0	Counting by TCNT3 is stopped (Initial value)
1	Counting by TCNT3 proceeds

12.2.4 Timer Constant Registers (TCOR)

The TCOR registers are 32-bit readable/writable registers. There are TCOR registers, one for each channel.

When a TCNT counter underflows while counting down, the TCOR value is set in that TCNT, which continues counting down from the set value.

The TCOR registers for channels 0 to 2 are initialized to H'FFFFFFFF by a power-on or manual reset, but are not initialized and retain their contents in standby mode. The TCOR registers for channels 3 and 4 of the SH7750R are initialized to H'FFFFFFFF by a power-on reset, but are not initialized and retain their contents on a manual reset and in standby mode.



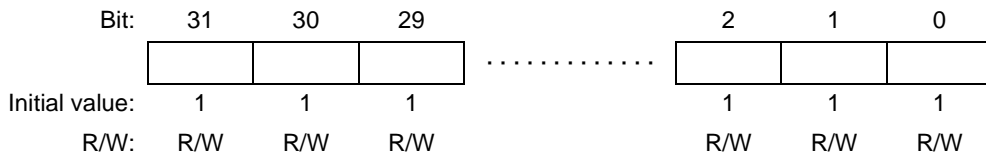
12.2.5 Timer Counters (TCNT)

The TCNT registers are 32-bit readable/writable registers. There are TCNT registers, one for each channel.

Each TCNT counts down on the input clock selected by TPSC2–TPSC0 in the timer control register (TCR).

When a TCNT counter underflows while counting down, the underflow flag (UNF) is set in the corresponding timer control register (TCR). At the same time, the timer constant register (TCOR) value is set in TCNT, and the count-down operation continues from the set value.

The TCNT registers for channels 0 to 2 are initialized to H'FFFFFFFF by a power-on or manual reset, but are not initialized and retain their contents in standby mode. The TCNT registers for channels 3 and 4 of the SH7750R are initialized to H'FFFFFFFF by a power-on reset, but are not initialized and retain their contents on a manual reset and in standby mode.



When the input clock is the on-chip RTC output clock (RTCCLK) in channels 0 to 2, TCNT counts even in module standby mode (that is, when the clock for the TMU is stopped). When the

input clock is the external clock (TCLK) or internal clock (P ϕ), TCNT contents are retained in standby mode.

12.2.6 Timer Control Registers (TCR)

The TCR registers are 16-bit readable/writable registers. There are five TCR registers, one for each channel.

Each TCR selects the count clock, specifies the edge when an external clock is selected in channels 0 to 2, and controls interrupt generation when the flag indicating timer counter (TCNT) underflow is set to 1. TCR2 is also used for channel 2 input capture control, and control of interrupt generation in the event of input capture.

The TCR registers for channels 0 to 2 are initialized to H'0000 by a power-on or manual reset, but are not initialized and retain their contents in standby mode. The TCR registers for channels 3 and 4 of the SH7750R are initialized to H'0000 by a power-on reset, but are not initialized and retain their contents on a manual reset and in standby mode.

1. Channel 0 and 1 TCR bit configuration

Bit:	15	14	13	12	11	10	9	8
	—	—	—	—	—	—	—	UNF
Initial value:	0	0	0	0	0	0	0	0
R/W:	R	R	R	R	R	R	R	R/W
Bit:	7	6	5	4	3	2	1	0
	—	—	UNIE	CKEG1	CKEG0	TPSC2	TPSC1	TPSC0
Initial value:	0	0	0	0	0	0	0	0
R/W:	R	R	R/W	R/W	R/W	R/W	R/W	R/W

2. Channel 2 TCR bit configuration

Bit:	15	14	13	12	11	10	9	8
	—	—	—	—	—	—	ICPF	UNF
Initial value:	0	0	0	0	0	0	0	0
R/W:	R	R	R	R	R	R	R/W	R/W

Bit:	7	6	5	4	3	2	1	0
	ICPE1	ICPE0	UNIE	CKEG1	CKEG0	TPSC2	TPSC1	TPSC0
Initial value:	0	0	0	0	0	0	0	0
R/W:	R/W	R/W	R/W	R/W	R/W	R/W	R/W	R/W

3. TCR bit configuration for channels 3 and 4 (SH7750R only)

Bit:	15	14	13	12	11	10	9	8
	—	—	—	—	—	—	—	UNF
Initial value:	0	0	0	0	0	0	0	0
R/W:	R	R	R	R	R	R	R	R/W

Bit:	7	6	5	4	3	2	1	0
	—	—	UNIE	—	—	TPSC2	TPSC1	TPSC0
Initial value:	0	0	0	0	0	0	0	0
R/W:	R	R	R/W	R	R	R/W	R/W	R/W

Bits 15 to 9, 7, and 6 (Channels 0 and 1); Bits 15 to 10 (Channel 2)—Reserved: These bits are always read as 0. A write to these bits is invalid, but the write value should always be 0.

Bit 9—Input Capture Interrupt Flag (ICPF) (Channel 2 Only): Status flag, provided in channel 2 only, that indicates the occurrence of input capture.

Bit 9: ICPF	Description
0	Input capture has not occurred (Initial value) [Clearing condition] When 0 is written to ICPF
1	Input capture has occurred [Setting condition] When input capture occurs*

Note: * Writing 1 does not change the value.

Bit 8—Underflow Flag (UNF): Status flag that indicates the occurrence of underflow.

Bit 8: UNF	Description
0	TCNT has not underflowed (Initial value) [Clearing condition] When 0 is written to UNF
1	TCNT has underflowed [Setting condition] When TCNT underflows*

Note: *Writing 1 does not change the value.

Bits 7 and 6—Input Capture Control (ICPE1, ICPE0) (Channel 2 Only): These bits, provided in channel 2 only, specify whether the input capture function is used, and control enabling or disabling of interrupt generation when the function is used.

When the input capture function is used, a data transfer request is sent to the DMAC in the event of input capture.

When using the input capture function, the TCLK pin must be designated as an input pin with the TCOE bit in the TOCR register. The CKEG bits specify whether the rising edge or falling edge of the TCLK signal is used to set the TCNT2 value in the input capture register (TCPR2).

The TCNT2 value is set in TCPR2 only when the TCR2.ICPF bit is 0. When the TCR2.ICPF bit is 1, TCPR2 is not set in the event of input capture. When input capture occurs, a DMAC transfer request is generated regardless of the value of the TCR2.ICPF bit. However, a new DMAC transfer request is not generated until processing of the previous request is finished.

Bit 7: ICPE1	Bit 6: ICPE0	Description
0	0	Input capture function is not used (Initial value)
	1	Reserved (Do not set)
1	0	Input capture function is used, but interrupt due to input capture (TICPI2) is not enabled Data transfer request is sent to DMAC in the event of input capture
	1	Input capture function is used, and interrupt due to input capture (TICPI2) is enabled Data transfer request is sent to DMAC in the event of input capture

Bit 5—Underflow Interrupt Control (UNIE): Controls enabling or disabling of interrupt generation when the UNF status flag is set to 1, indicating TCNT underflow.

Bit 5: UNIE	Description
0	Interrupt due to underflow (TUNI) is not enabled (Initial value)
1	Interrupt due to underflow (TUNI) is enabled

Bits 4 and 3—Clock Edge 1 and 0 (CKEG1, CKEG0): These bits select the external clock input edge when an external clock is selected or the input capture function is used in channels 0 to 2.

Bit 4: CKEG1	Bit 3: CKEG0	Description
0	0	Count/input capture register set on rising edge (Initial value)
	1	Count/input capture register set on falling edge
1	X	Count/input capture register set on both rising and falling edges

Note: X: 0 or 1 (don't care)

Bits 2 to 0—Timer Prescaler 2 to 0 (TPSC2–TPSC0): These bits select the TCNT count clock. With channels 0 to 2, when the on-chip RTC output clock is selected as the count clock for a channel, that channel can operate even in module standby mode. When another clock is selected, the channel does not operate in standby mode.

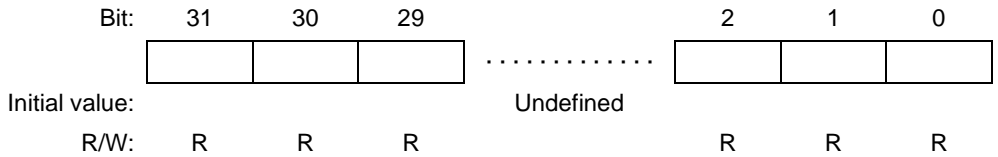
Bit 2: TPSC2	Bit 1: TPSC1	Bit 0: TPSC0	Description
0	0	0	Counts on P ϕ /4 (Initial value)
		1	Counts on P ϕ /16
	1	0	Counts on P ϕ /64
		1	Counts on P ϕ /256
1	0	0	Counts on P ϕ /1024
		1	Reserved (Do not set)
	1	0	Counts on on-chip RTC output clock (Do not set this pattern for channel 3 or 4)
		1	Counts on external clock (Do not set this pattern for channel 3 or 4)

12.2.7 Input Capture Register (TCPR2)

TCPR2 is a 32-bit read-only register for use with the input capture function, provided only in channel 2.

The input capture function is controlled by means of the input capture control bits (ICPE) and clock edge bits (CKEG) in TCR2. When input capture occurs, the TCNT2 value is copied into TCPR2. The value is set in TCPR2 only when the ICPF bit in TCR2 is 0.

TCPR2 is not initialized by a power-on or manual reset, or in standby mode.



12.3 Operation

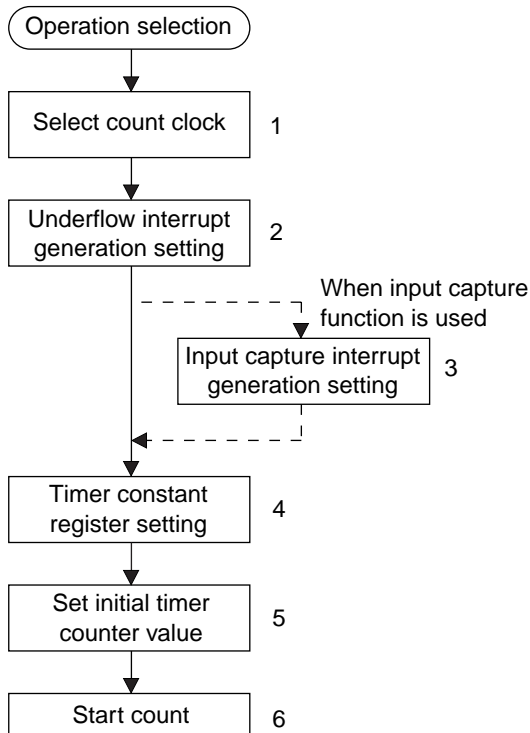
Each channel has a 32-bit timer counter (TCNT) that performs count-down operations, and a 32-bit timer constant register (TCOR). The channels have an auto-reload function that allows cyclic count operations, and can also perform external event counting. Channel 2 also has an input capture function.

12.3.1 Counter Operation

When one of bits STR0–STR4 is set to 1 in the timer start register (TSTR, TSTR2), the timer counter (TCNT) for the corresponding channel starts counting. When TCNT underflows, the UNF flag is set in the corresponding timer control register (TCR). If the UNIE bit in TCR is set to 1 at this time, an interrupt request is sent to the CPU. At the same time, the value is copied from TCOR into TCNT, and the count-down continues (auto-reload function).

Example of Count Operation Setting Procedure: Figure 12.2 shows an example of the count operation setting procedure.

1. Select the count clock, for channel 0, 1, or 2, with bits TPSC2–TPSC0 in the timer control register (TCR). When an external clock is selected, set the TCLK pin to input mode with the TCOE bit in TOCR, and select the external clock edge with bits CKEG1 and CKEG0 in TCR.
2. Specify whether an interrupt is to be generated on TCNT underflow with the UNIE bit in TCR.
3. When the input capture function is used, set the ICPE bits in TCR, including specification of whether the interrupt function is to be used.
4. Set a value in the timer constant register (TCOR).
5. Set the initial value in the timer counter (TCNT).
6. Set the STR bit to 1 in the timer start register (TSTR, TSTR2) to start the count.



Note: When an interrupt is generated, clear the source flag in the interrupt handler. If the interrupt enabled state is set without clearing the flag, another interrupt will be generated.

Figure 12.2 Example of Count Operation Setting Procedure

Auto-Reload Count Operation: Figure 12.3 shows the TCNT auto-reload operation.

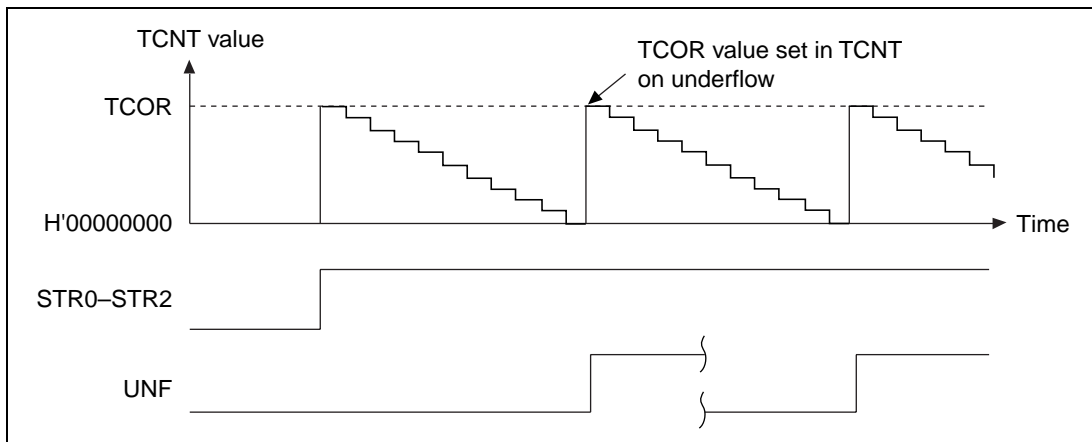


Figure 12.3 TCNT Auto-Reload Operation

TCNT Count Timing:

- Operating on internal clock

Any of five count clocks ($P\phi/4$, $P\phi/16$, $P\phi/64$, $P\phi/256$, or $P\phi/1024$) scaled from the peripheral module clock can be selected as the count clock by means of the TPSC2–TPSC0 bits in TCR.

Figure 12.4 shows the timing in this case.

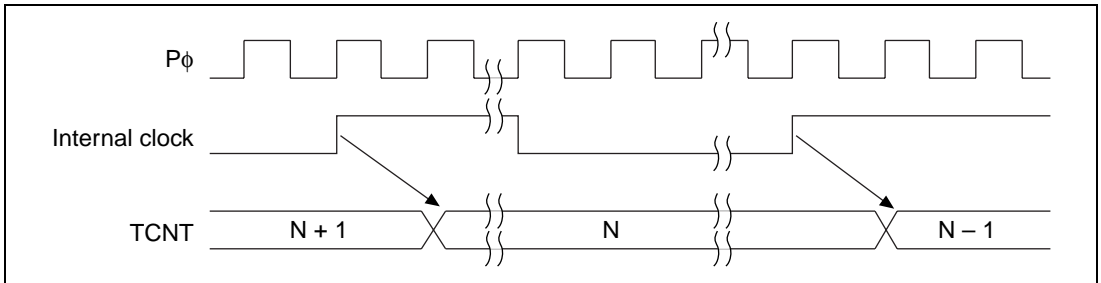


Figure 12.4 Count Timing when Operating on Internal Clock

- Operating on external clock

For channels 0 to 2, external clock pin (TCLK) input can be selected as the timer clock by means of the TPSC2–TPSC0 bits in TCR. The rising edge, falling edge, or both edges can be selected as the detected edge of the external clock with the CKEG1 and CKEG0 bits in TCR.

Figure 12.5 shows the timing for both-edge detection.

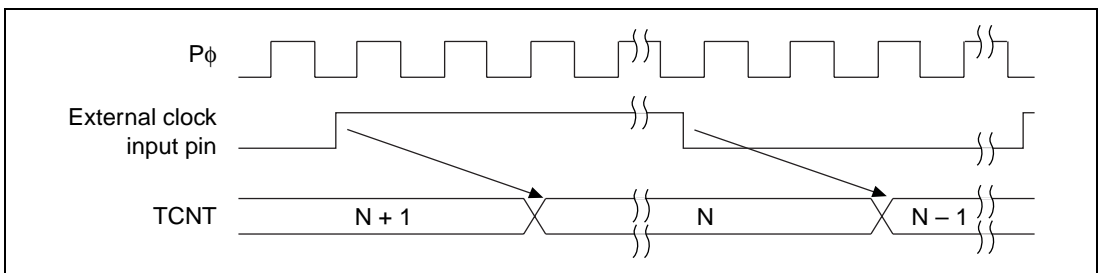


Figure 12.5 Count Timing when Operating on External Clock

- Operating on on-chip RTC output clock

The on-chip RTC output clock can be selected as the timer clock in channels 0 to 2 by means of the TPSC2–TPSC0 bits in TCR. Figure 12.6 shows the timing in this case.

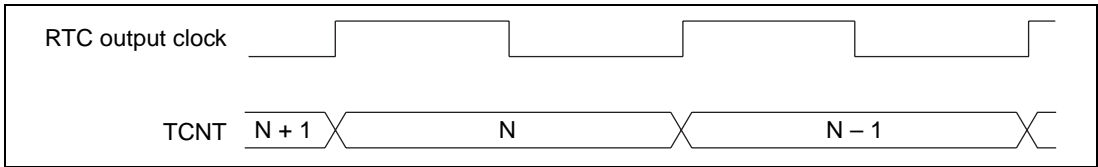


Figure 12.6 Count Timing when Operating on On-Chip RTC Output Clock

12.3.2 Input Capture Function

Channel 2 has an input capture function.

The procedure for using the input capture function is as follows:

1. Use the TCOE bit in the timer output control register (TOCR) to set the TCLK pin to input mode.
2. Use bits TPSC2–TPSC0 in the timer control register (TCR) to set an internal clock or the on-chip RTC output clock as the timer operating clock.
3. Use bits IPCE1 and IPCE0 in TCR to specify use of the input capture function, and whether interrupts are to be generated when this function is used.
4. Use bits CKEG1 and CKEG0 in TCR to specify whether the rising or falling edge of the TCLK signal is to be used to set the timer counter (TCNT) value in the input capture register (TCPR2).

This function cannot be used in standby mode.

When input capture occurs, the TCNT2 value is set in TCPR2 only when the ICPF bit in TCR2 is 0. Also, a new DMAC transfer request is not generated until processing of the previous request is finished.

Figure 12.7 shows the operation timing when the input capture function is used (with TCLK rising edge detection).

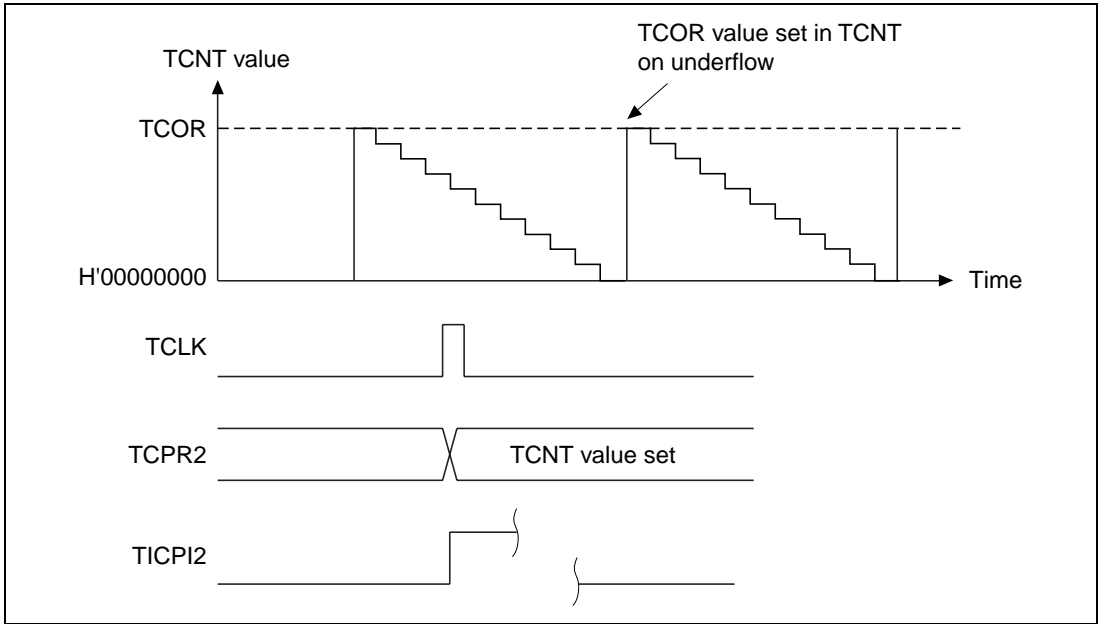


Figure 12.7 Operation Timing when Using Input Capture Function

12.4 Interrupts

There are four TMU interrupt sources, comprising underflow interrupts and the input capture interrupt (when the input capture function is used). Underflow interrupts are generated on each of the channels, and input capture interrupts on channel 2 only.

An underflow interrupt request is generated (for each channel) when the UNF bit in TCR is 1 and the interrupt enable bit for the corresponding channel is 1.

When the input capture function is used and an input capture request is generated, an interrupt is requested if the input capture input flag (ICPF) in TCR2 is 1 and the input capture control bits (ICPE1, ICPE0) in TCR2 are 11.

The TMU interrupt sources are summarized in table 12.3.

Table 12.3 TMU Interrupt Sources

Channel	Interrupt Source	Description	Priority
0	TUNI0	Underflow interrupt 0	High
1	TUNI1	Underflow interrupt 1	↑ ↓
2	TUNI2	Underflow interrupt 2	
	TICPI2	Input capture interrupt 2	
3*	TUNI3	Underflow interrupt 3	
4*	TUNI4	Underflow interrupt 4	Low

Note: * SH7750R only

12.5 Usage Notes

12.5.1 Register Writes

When performing a register write, timer count operation must be stopped by clearing the start bit (STR0–STR4) for the relevant channel in the timer start register (TSTR, TSTR2).

Note that the timer start register (TSTR, TSTR2) can be written to, and the underflow flag (UNF) and input capture flag (ICPF) of the timer control registers (TRCR0 to TCR4) can be cleared while the count is in progress. When the flags (UNF, ICPF) are cleared while the count is in progress, make sure not to change the values of bits other than those being cleared.

12.5.2 TCNT Register Reads

When performing a TCNT register read, processing for synchronization with the timer count operation is performed. If a timer count operation and register read processing are performed simultaneously, the TCNT counter value prior to the count-down operation is read by means of the synchronization processing.

12.5.3 Resetting the RTC Frequency Divider

When the on-chip RTC output clock is selected as the count clock, the RTC frequency divider should be reset.

12.5.4 External Clock Frequency

Ensure that the external clock frequency for any channel does not exceed $P\phi/4$.

Section 13 Bus State Controller (BSC)

13.1 Overview

The functions of the bus state controller (BSC) include division of the external memory space, and output of control signals in accordance with various types of memory and bus interface specifications. The BSC functions allow DRAM, synchronous DRAM, SRAM, ROM, etc., to be connected to the SH7750 Series, and also support the PCMCIA interface protocol, enabling system design to be simplified and data transfers to be carried out at high speed by a compact system.

13.1.1 Features

The BSC has the following features:

- External memory space is managed as 7 independent areas
 - Maximum 64 Mbytes for each of areas 0 to 6
 - Bus width of each area can be set in a register (except area 0, which uses an external pin setting)
 - Wait state insertion by $\overline{\text{RDY}}$ pin
 - Wait state insertion can be controlled by program
 - Specification of types of memory connectable to each area
 - Output the control signals of memory to each area
 - Automatic wait cycle insertion to prevent data bus collisions in case of consecutive memory accesses to different areas, or a read access followed by a write access to the same area
 - Write strobe setup time and hold time periods can be inserted in a write cycle to enable connection to low-speed memory
- SRAM interface
 - Wait state insertion can be controlled by program
 - Wait state insertion by $\overline{\text{RDY}}$ pin
 - Connectable areas: 0 to 6
 - Settable bus widths: 64, 32, 16, 8
- DRAM interface
 - Row address/column address multiplexing according to DRAM capacity
 - Burst operation (fast page mode, EDO mode)
 - CAS-before-RAS refresh and self-refresh
 - 8-CAS byte control for power-down operation
 - DRAM control signal timing can be controlled by register settings

- Consecutive accesses to the same row address
Connectable areas: 2, 3
Settable bus widths: 64, 32, 16
- Synchronous DRAM interface
 - Row address/column address multiplexing according to synchronous DRAM capacity
 - Burst operation
 - Auto-refresh and self-refresh
 - Synchronous DRAM control signal timing can be controlled by register settings
 - Consecutive accesses to the same row address
Connectable areas: 2, 3
Settable bus widths: 64, 32
- Burst ROM interface
 - Wait state insertion can be controlled by program
 - Burst operation, executing the number of transfers set in a register
Connectable areas: 0, 5, 6
Settable bus widths: 64*, 32, 16, 8
- MPX interface
 - Address/data multiplexing
Connectable areas: 0 to 6
Settable bus widths: 64, 32
- Byte control SRAM interface
 - SRAM interface with byte control
Connectable areas: 1, 4
Settable bus widths: 64, 32, 16
- PCMCIA interface
 - Wait state insertion can be controlled by program
 - Bus sizing function for I/O bus width
- Fine refreshing control
 - Supports refresh operation immediately after self-refresh operation in low-power DRAM by means of refresh counter overflow interrupt function
- Refresh counter can be used as interval timer
 - Interrupt request generated by compare-match
 - Interrupt request generated by refresh counter overflow

Note: * SH7750R only

13.1.2 Block Diagram

Figure 13.1 shows a block diagram of the BSC.

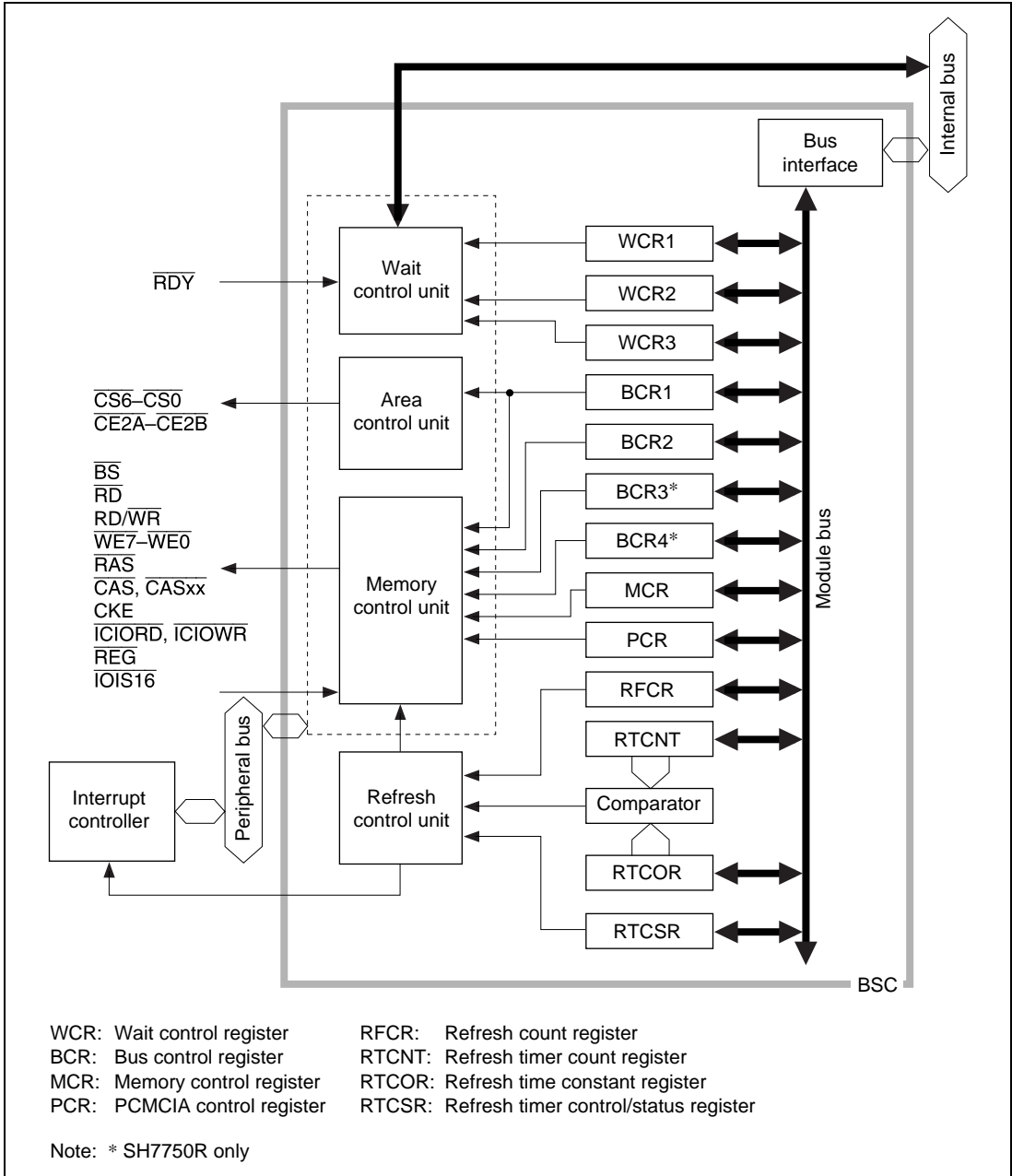


Figure 13.1 Block Diagram of BSC

13.1.3 Pin Configuration

Table 13.1 shows the BSC pin configuration.

Table 13.1 BSC Pins

Name	Signals	I/O	Description
Address bus	A25–A0	O	Address output
Data bus	D63–D52, D31–D0	I/O	Data input/output When port functions are used and DDT mode is selected, input the DTR format. Otherwise, when port functions are used, D60-D52 cannot be used and should be left open.
Data bus/port	D51–D32/ PORT19– PORT0	I/O	When port functions are not used: data input/output When port functions are used: input/output port (input or output set for each bit by register)
Bus cycle start	\overline{BS}	O	Signal that indicates the start of a bus cycle When setting synchronous DRAM interface: asserted once for a burst transfer For other burst transfers: asserted each data cycle
Chip select 6–0	$\overline{CS6}$ – $\overline{CS0}$	O	Chip select signals that indicate the area being accessed $\overline{CS5}$ and $\overline{CS6}$ are also used as PCMCIA $\overline{CE1A}$ and $\overline{CE1B}$
Read/write	RD/\overline{WR}	O	Data bus input/output direction designation signal Also used as the DRAM/synchronous DRAM/PCMCIA interface write designation signal
Row address strobe	\overline{RAS}	O	\overline{RAS} signal when setting DRAM/synchronous DRAM interface
Read/column address strobe/ cycle frame	$\overline{RD/CASS}/$ \overline{FRAME}	O	Strobe signal that indicates a read cycle When setting synchronous DRAM interface: \overline{CAS} signal When setting MPX interface: \overline{FRAME} signal
Data enable 0	$\overline{WE0/CAS0}/$ DQM0	O	When setting synchronous DRAM interface: selection signal for D7–D0 When setting DRAM interface: \overline{CAS} signal for D7–D0 When setting MPX interface: high-level output In other cases: write strobe signal for D7–D0

Table 13.1 BSC Pins (cont)

Name	Signals	I/O	Description
Data enable 1	$\overline{WE1}/\overline{CAS1}/$ DQM1	O	When setting synchronous DRAM interface: selection signal for D15–D8 When setting DRAM interface: \overline{CAS} signal for D15–D8 When setting PCMCIA interface: write strobe signal When setting MPX interface: high-level output In other cases: write strobe signal for D15–D8
Data enable 2	$\overline{WE2}/\overline{CAS2}/$ DQM2/ $\overline{ICIOR\overline{D}}$	O	When setting synchronous DRAM interface: selection signal for D23–D16 When setting DRAM interface: \overline{CAS} signal for D23–D16 When setting PCMCIA interface: $\overline{ICIOR\overline{D}}$ signal When setting MPX interface: high-level output In other cases: write strobe signal for D23–D16
Data enable 3	$\overline{WE3}/\overline{CAS3}/$ DQM3/ $\overline{ICIOR\overline{W}}$	O	When setting synchronous DRAM interface: selection signal for D31–D24 When setting DRAM interface: \overline{CAS} signal for D31–D24 When setting PCMCIA interface: $\overline{ICIOR\overline{W}}$ signal When setting MPX interface: high-level output In other cases: write strobe signal for D31–D24
Data enable 4	$\overline{WE4}/\overline{CAS4}/$ DQM4	O	When setting synchronous DRAM interface: selection signal for D39–D32 When setting DRAM interface: \overline{CAS} signal for D39–D32 When setting MPX interface: high-level output In other cases: write strobe signal for D39–D32
Data enable 5	$\overline{WE5}/\overline{CAS5}/$ DQM5	O	When setting synchronous DRAM interface: selection signal for D47–D40 When setting DRAM interface: \overline{CAS} signal for D47–D40 When setting MPX interface: high-level output In other cases: write strobe signal for D47–D40

Table 13.1 BSC Pins (cont)

Name	Signals	I/O	Description
Data enable 6	$\overline{WE6}/\overline{CAS6}/\overline{DQM6}$	O	When setting synchronous DRAM interface: selection signal for D55–D48 When setting DRAM interface: \overline{CAS} signal for D55–D48 When setting MPX interface: high-level output In other cases: write strobe signal for D55–D48
Data enable 7	$\overline{WE7}/\overline{CAS7}/\overline{DQM7}/\overline{REG}$	O	When setting synchronous DRAM interface: selection signal for D63–D56 When setting DRAM interface: \overline{CAS} signal for D63–D56 When setting PCMCIA interface: \overline{REG} signal When setting MPX interface: high-level output In other cases: write strobe signal for D63–D56
Ready	\overline{RDY}	I	Wait state request signal
Area 0 MPX interface specification/ 16-bit I/O	$\overline{MD6}/\overline{IOIS16}$	I	In power-on reset: Designates area 0 bus as MPX interface (1: SRAM, 0: MPX) When setting PCMCIA interface: 16-bit I/O designation signal. Valid only in little-endian mode.
Clock enable	CKE	O	Synchronous DRAM clock enable control signal
Bus release request	$\overline{BREQ}/\overline{BSACK}$	I	Bus release request signal/bus acknowledge signal
Bus use permission	$\overline{BACK}/\overline{BSREQ}$	O	Bus use permission signal/bus request
Area 0 bus width/PCMCIA card select	$\overline{MD3}/\overline{CE2A}^{*1}$ $\overline{MD4}/\overline{CE2B}^{*2}$	I/O	In power-on reset ^{*4} : external space area 0 bus width specification signal When setting PCMCIA interface: $\overline{CE2A}$, $\overline{CE2B}$
Endian switchover/ row address strobe	$\overline{MD5}/\overline{RAS2}^{*3}$	I/O	Endian specification in a power-on reset. ^{*4} $\overline{RAS2}$ when DRAM is connected to area 2
Master/slave switchover	$\overline{MD7}/\overline{TXD}$	I/O	Indicates master/slave status in a power-on reset. ^{*4} Serial interface TXD
DMAC0 acknowledge signal	DACK0	O	DMAC channel 0 data acknowledge
DMAC1 acknowledge signal	DACK1	O	DMAC channel 1 data acknowledge

Table 13.1 BSC Pins (cont)

Name	Signals	I/O	Description
Read/column address strobe/cycle frame 2	$\overline{RD2}$	O	Same signal as $\overline{RD/CASS/FRAME}$ This signal is used when the $\overline{RD/CASS/FRAME}$ signal load is heavy.
Read/write 2	$\overline{RD/WR2}$	O	Same signal as $\overline{RD/WR}$ This signal is used when the $\overline{RD/WR}$ signal load is heavy.

Notes: *1 $\overline{MD3/CE2A}$ input/output switching is performed by BCR1.A56PCM. Output is selected when BCR1.A56PCM = 1.

*2 $\overline{MD4/CE2B}$ input/output switching is performed by BCR1.A56PCM. Output is selected when BCR1.A56PCM = 1.

*3 $\overline{MD5/RAS2}$ input/output switching is performed by BCR1.DRAMTP. Output is selected when BCR1.DRAMTP (2–0) = 101.

*4 In a power-on reset by means of the \overline{RESET} pin.

13.1.4 Register Configuration

The BSC has the 11 registers shown in table 13.2. In addition, the synchronous DRAM mode register incorporated in synchronous DRAM can also be accessed as an SH7750 Series register. The functions of these registers include control of interfaces to various types of memory, wait states, and refreshing.

Table 13.2 BSC Registers

Name	Abbrevia- tion	R/W	Initial Value	P4 Address	Area 7 Address	Access Size	
Bus control register 1	BCR1	R/W	H'0000 0000	H'FF80 0000	H'1F80 0000	32	
Bus control register 2	BCR2	R/W	H'3FFC	H'FF80 0004	H'1F80 0004	16	
Bus control register 3* ²	BCR3	R/W	H'0000	H'FF80 0050	H'1F80 0050	16	
Bus control register 4* ²	BCR4	R/W	H'0000 0000	H'FE0A 00F0	H'1E0A 00F0	32	
Wait state control register 1	WCR1	R/W	H'7777 7777	H'FF80 0008	H'1F80 0008	32	
Wait state control register 2	WCR2	R/W	H'FFFE EFFF	H'FF80 000C	H'1F80 000C	32	
Wait state control register 3	WCR3	R/W	H'0777 7777	H'FF80 0010	H'1F80 0010	32	
Memory control register	MCR	R/W	H'0000 0000	H'FF80 0014	H'1F80 0014	32	
PCMCIA control register	PCR	R/W	H'0000	H'FF80 0018	H'1F80 0018	16	
Refresh timer control/status register	RTCSR	R/W	H'0000	H'FF80 001C	H'1F80 001C	16	
Refresh timer counter	RTCNT	R/W	H'0000	H'FF80 0020	H'1F80 0020	16	
Refresh time constant counter	RTCOR	R/W	H'0000	H'FF80 0024	H'1F80 0024	16	
Refresh count register	RFCR	R/W	H'0000	H'FF80 0028	H'1F80 0028	16	
Synchronous DRAM mode registers	For area 2	SDMR2	W	—	H'FF90 xxxx* ¹	H'1F90 xxxx	8
	For area 3	SDMR3			H'FF94 xxxx* ¹	H'1F94 xxxx	

Notes: *1 For details, see section 13.2.10, Synchronous DRAM Mode Registers (SDMR).

*2 Settable only for SH7750R.

13.1.5 Overview of Areas

Space Divisions: The architecture of the SH7750 Series provides a 32-bit virtual address space. The virtual address is divided into five areas according to the upper address value. External memory space comprises a 29-bit address space, divided into eight areas.

The virtual address can be allocated to any external address by means of the memory management unit (MMU). Details are given in section 3, Memory Management Unit (MMU). This section describes the areas into which the external address is divided.

With the SH7750 Series, various kinds of memory or PC cards can be connected to the seven areas of external address as shown in table 13.3, and chip select signals ($\overline{CS0}$ – $\overline{CS6}$, $\overline{CE2A}$, $\overline{CE2B}$) are output for each of these areas. $\overline{CS0}$ is asserted when accessing area 0, and $\overline{CS6}$ when accessing area 6. When DRAM or synchronous DRAM is connected to area 2 or 3, signals such as \overline{RAS} , \overline{CAS} , $\overline{RD}/\overline{WR}$, and \overline{DQM} are also asserted. When the PCMCIA interface is selected for area 5 or 6, $\overline{CE2A}$, $\overline{CE2B}$ is asserted in addition to $\overline{CS5}$, $\overline{CS6}$ for the byte to be accessed.

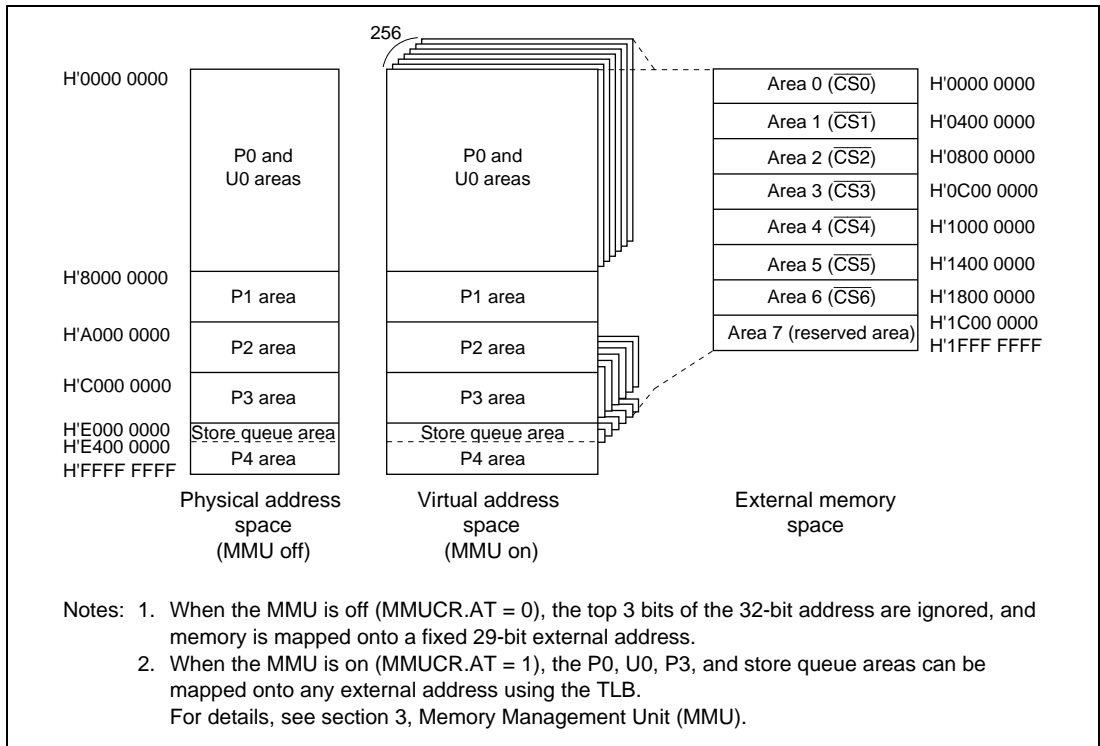


Figure 13.2 Correspondence between Virtual Address Space and External Memory Space

Table 13.3 External Memory Space Map

Area	External Addresses	Size	Connectable Memory	Settable Bus Widths	Access Size
0	H'00000000– H'03FFFFFF	64 Mbytes	SRAM	8, 16, 32, 64 ^{*1}	8, 16, 32, 64 ^{*6} bits, 32 bytes
			Burst ROM	8, 16, 32 ^{*1} , 64 ^{*7}	
			MPX	32, 64 ^{*1}	
1	H'04000000– H'07FFFFFF	64 Mbytes	SRAM	8, 16, 32, 64 ^{*2}	8, 16, 32, 64 ^{*6} bits, 32 bytes
			MPX	32, 64 ^{*2}	
			Byte control SRAM	16, 32, 64 ^{*2}	
2	H'08000000– H'0BFFFFFF	64 Mbytes	SRAM	8, 16, 32, 64 ^{*2}	8, 16, 32, 64 ^{*6} bits, 32 bytes
			Synchronous DRAM	32, 64 ^{*2 *3}	
			DRAM	16, 32 ^{*2 *3}	
			MPX	32, 64 ^{*2}	
3	H'0C000000– H'0FFFFFFF	64 Mbytes	SRAM	8, 16, 32, 64 ^{*2}	8, 16, 32, 64 ^{*6} bits, 32 bytes
			Synchronous DRAM	32, 64 ^{*2 *3}	
			DRAM	16, 32, 64 ^{*2 *3}	
			MPX	32, 64 ^{*2}	
4	H'10000000– H'13FFFFFF	64 Mbytes	SRAM	8, 16, 32, 64 ^{*2}	8, 16, 32, 64 ^{*6} bits, 32 bytes
			MPX	32, 64 ^{*2}	
			Byte control RAM	16, 32, 64 ^{*2}	
5	H'14000000– H'17FFFFFF	64 Mbytes	SRAM	8, 16, 32, 64 ^{*2}	8, 16, 32, 64 ^{*6} bits, 32 bytes
			MPX	32, 64 ^{*2}	
			Burst ROM	8, 16, 32 ^{*2} , 64 ^{*7}	
			PCMCIA	8, 16 ^{*2 *4}	
6	H'18000000– H'1BFFFFFF	64 Mbytes	SRAM	8, 16, 32, 64 ^{*2}	8, 16, 32, 64 ^{*6} bits, 32 bytes
			MPX	32, 64 ^{*2}	
			Burst ROM	8, 16, 32 ^{*2} , 64 ^{*7}	
			PCMCIA	8, 16 ^{*2 *4}	
7 ^{*5}	H'1C000000– H'1FFFFFFF	64 Mbytes	—	—	

Notes: *1 Memory bus width specified by external pins

*2 Memory bus width specified by register

*3 With synchronous DRAM interface, bus width is 32 or 64 bits only.

With DRAM interface, bus width is 16 or 32 bits only for area 2, and 16, 32, or 64 bits only for area 3. Bus width of area 2 is as same as that of area 3 which is specified by MCR.

*4 With PCMCIA interface, bus width is 8 or 16 bits only.

*5 Do not access a reserved area, as operation cannot be guaranteed in this case.

*6 64-bit access applies only to transfer by the DMAC. (CHCRn.TS = 000)

In a transfer to an external memory by FMOV (FPSCR.SZ = 1), two transfer operations, each with an access size of 32 bits, are conducted.

*7 Settable only for SH7750R.

Area 0: H'00000000	SRAM/burst ROM/MPX	} The PCMCIA interface is for memory and I/O card use
Area 1: H'04000000	SRAM/MPX/byte control SRAM	
Area 2: H'08000000	SRAM/synchronous DRAM/DRAM/MPX	
Area 3: H'0C000000	SRAM/synchronous DRAM/DRAM/MPX	
Area 4: H'10000000	SRAM/MPX/byte control SRAM	
Area 5: H'14000000	SRAM/burst ROM/PCMCIA/MPX	
Area 6: H'18000000	SRAM/burst ROM/PCMCIA/MPX	

Figure 13.3 External Memory Space Allocation

Memory Bus Width: In the SH7750 Series, the memory bus width can be set independently for each space. For area 0, a bus size of 8, 16, 32, or 64 bits can be selected in a power-on reset by the RESET pin, using external pins. The relationship between the external pins (MD4 and MD3) and the bus width in a power-on reset is shown below.

MD4	MD3	Bus Width
0	0	64 bits
	1	8 bits
1	0	16 bits
	1	32 bits

When SRAM interface or ROM is used in areas 1 to 6, a bus width of 8, 16, 32, or 64 bits can be selected with bus control register 2 (BCR2). When burst ROM is used, a bus width of 8, 16, 32, or 64* bits can be selected. When byte control SRAM interface is used, a bus width of 16, 32, or 64 bits can be selected. When the MPX interface is used, a bus width of 32 or 64 bits can be selected. When the DRAM interface is used, a bus width of 16, 32, or 64 bits can be selected with the memory control register (MCR). When the DRAM interface is used for area 2 or 3, a bus width of 16 or 32 bits should be set. For the synchronous DRAM interface, set a bus width of 32 or 64 bits in the MCR register.

When using the PCMCIA interface, set a bus width of 8 or 16 bits.

For details, see section 13.3.7, PCMCIA Interface.

When using port functions, set a bus width of 8, 16, or 32 bits for all areas.

For details, see section 13.2.2, Bus Control Register 2 (BCR2), and section 13.2.7, Memory Control Register (MCR).

The area 7 address range, H'1C000000 to H'1FFFFFFF, is a reserved space and must not be used.

Note: * SH7750R only

13.1.6 PCMCIA Support

The SH7750 Series supports PCMCIA compliant interface specifications for external memory space areas 5 and 6.

The interfaces supported are the IC memory card interface and I/O card interface stipulated in JEIDA specifications version 4.2 (PCMCIA2.1).

External memory space areas 5 and 6 support both the IC memory card interface and the I/O card interface.

The PCMCIA interface is supported only in little-endian mode.

Table 13.4 PCMCIA Interface Features

Item	Features
Access	Random access
Data bus	8/16 bits
Memory type	Mask ROM, OTPROM, EPROM, EEPROM, flash memory, SRAM
Common memory capacity	Max. 64 Mbytes
Attribute memory capacity	Max. 64 Mbytes
Others	Dynamic bus sizing for I/O bus width, access to PCMCIA interface from address translation areas

Table 13.5 PCMCIA Support Interfaces

Pin	IC Memory Card Interface			I/O Card Interface			Corresponding SH7750 Series Pin
	Signal Name	I/O	Function	Signal Name	I/O	Function	
1	GND		Ground	GND		Ground	—
2	D3	I/O	Data	D3	I/O	Data	D3
3	D4	I/O	Data	D4	I/O	Data	D4
4	D5	I/O	Data	D5	I/O	Data	D5
5	D6	I/O	Data	D6	I/O	Data	D6
6	D7	I/O	Data	D7	I/O	Data	D7
7	$\overline{CE1}$	I	Card enable	$\overline{CE1}$	I	Card enable	$\overline{CS5}$ or $\overline{CS6}$
8	A10	I	Address	A10	I	Address	A10
9	\overline{OE}	I	Output enable	\overline{OE}	I	Output enable	\overline{RD}
10	A11	I	Address	A11	I	Address	A11
11	A9	I	Address	A9	I	Address	A9
12	A8	I	Address	A8	I	Address	A8
13	A13	I	Address	A13	I	Address	A13
14	A14	I	Address	A14	I	Address	A14
15	$\overline{WE/PGM}$	I	Write enable	$\overline{WE/PGM}$	I	Write enable	$\overline{WE1}$
16	$\overline{RDY/BSY}$	O	Ready/busy	\overline{IREQ}	O	Interrupt request	Sensed on port
17	VCC		Operating power supply	VCC		Operating power supply	—
18	VPP1		Programming power supply	VPP1		Programming/peripheral power supply	—
19	A16	I	Address	A16	I	Address	A16
20	A15	I	Address	A15	I	Address	A15
21	A12	I	Address	A12	I	Address	A12
22	A7	I	Address	A7	I	Address	A7
23	A6	I	Address	A6	I	Address	A6
24	A5	I	Address	A5	I	Address	A5
25	A4	I	Address	A4	I	Address	A4
26	A3	I	Address	A3	I	Address	A3
27	A2	I	Address	A2	I	Address	A2
28	A1	I	Address	A1	I	Address	A1

Table 13.5 PCMCIA Support Interfaces (cont)

Pin	IC Memory Card Interface			I/O Card Interface			Corresponding SH7750 Series Pin
	Signal Name	I/O	Function	Signal Name	I/O	Function	
29	A0	I	Address	A0	I	Address	A0
30	D0	I/O	Data	D0	I/O	Data	D0
31	D1	I/O	Data	D1	I/O	Data	D1
32	D2	I/O	Data	D2	I/O	Data	D2
33	\overline{WP}^*	O	Write protect	$\overline{IOIS16}$	O	16-bit I/O port	$\overline{IOIS16}$
34	GND		Ground	GND		Ground	—
35	GND		Ground	GND		Ground	—
36	$\overline{CD1}$	O	Card detection	$\overline{CD1}$	O	Card detection	Sensed on port
37	D11	I/O	Data	D11	I/O	Data	D11
38	D12	I/O	Data	D12	I/O	Data	D12
39	D13	I/O	Data	D13	I/O	Data	D13
40	D14	I/O	Data	D14	I/O	Data	D14
41	D15	I/O	Data	D15	I/O	Data	D15
42	$\overline{CE2}$	I	Card enable	$\overline{CE2}$	I	Card enable	$\overline{CE2A}$ or $\overline{CE2B}$
43	RFSH	I	Refresh request	RFSH	I	Refresh request	Output from port
44	RFU		Reserved	\overline{IORD}	I	I/O read	\overline{ICIORD}
45	RFU		Reserved	\overline{IOWR}	I	I/O write	\overline{ICIOWR}
46	A17	I	Address	A17	I	Address	A17
47	A18	I	Address	A18	I	Address	A18
48	A19	I	Address	A19	I	Address	A19
49	A20	I	Address	A20	I	Address	A20
50	A21	I	Address	A21	I	Address	A21
51	VCC		Power supply	VCC		Power supply	—
52	VPP2		Programming power supply	VPP2		Programming/peripheral power supply	—
53	A22	I	Address	A22	I	Address	A22
54	A23	I	Address	A23	I	Address	A23
55	A24	I	Address	A24	I	Address	A24
56	A25	I	Address	A25	I	Address	A25

Table 13.5 PCMCIA Support Interfaces (cont)

Pin	IC Memory Card Interface			I/O Card Interface			Corresponding SH7750 Series Pin
	Signal Name	I/O	Function	Signal Name	I/O	Function	
57	RFU		Reserved	RFU		Reserved	—
58	RESET	I	Reset	RESET	I	Reset	Output from port
59	$\overline{\text{WAIT}}$	O	Wait request	$\overline{\text{WAIT}}$	O	Wait request	$\overline{\text{RDY}}$
60	RFU		Reserved	$\overline{\text{INPACK}}$	O	Input acknowledge	—
61	$\overline{\text{REG}}$	I	Attribute memory space select	$\overline{\text{REG}}$	I	Attribute memory space select	$\overline{\text{WE7}}$
62	BVD2	O	Battery voltage detection	$\overline{\text{SPKR}}$	O	Digital speech signal	Sensed on port
63	BVD1	O	Battery voltage detection	$\overline{\text{STSCHG}}$	O	Card status change	Sensed on port
64	D8	I/O	Data	D8	I/O	Data	D8
65	D9	I/O	Data	D9	I/O	Data	D9
66	D10	I/O	Data	D10	I/O	Data	D10
67	$\overline{\text{CD2}}$	O	Card detection	$\overline{\text{CD2}}$	O	Card detection	Sensed on port
68	GND		Ground	GND		Ground	—

Note: * $\overline{\text{WP}}$ is not supported.

13.2 Register Descriptions

13.2.1 Bus Control Register 1 (BCR1)

Bus control register 1 (BCR1) is a 32-bit readable/writable register that specifies the function, bus cycle status, etc., of each area.

BCR1 is initialized to H'00000000 by a power-on reset, but is not initialized by a manual reset or in standby mode. External memory space other than area 0 should not be accessed until register initialization is completed.

Bit:	31	30	29	28	27	26	25	24
	ENDIAN	MASTER	A0MPX	—	—	DPUP* ²	IPUP	OPUP
Initial value:	0/1* ¹	0/1* ¹	0/1* ¹	0	0	0	0	0
R/W:	R	R	R	R	R	R	R/W	R/W
Bit:	23	22	21	20	19	18	17	16
	—	—	A1MBC	A4MBC	BREQEN	PSHR	MEMMPX	DMABST* ²
Initial value:	0	0	0	0	0	0	0	0
R/W:	R	R	R/W	R/W	R/W	R/W	R/W	R
Bit:	15	14	13	12	11	10	9	8
	HIZMEM	HIZCNT	A0BST2	A0BST1	A0BST0	A5BST2	A5BST1	A5BST0
Initial value:	0	0	0	0	0	0	0	0
R/W:	R/W	R/W	R/W	R/W	R/W	R/W	R/W	R/W
Bit:	7	6	5	4	3	2	1	0
	A6BST2	A6BST1	A6BST0	DRAMTP2	DRAMTP1	DRAMTP0	—	A56PCM
Initial value:	0	0	0	0	0	0	0	0
R/W:	R/W	R/W	R/W	R/W	R/W	R/W	R	R/W

Notes: *1 These bits sample external pin values in a power-on reset by means of the RESET pin.

*2 SH7750R only.

Bit 31—Endian Flag (ENDIAN): Samples the value of the endian specification external pin (MD5) in a power-on reset by the $\overline{\text{RESET}}$ pin. The endian mode of all spaces is determined by this bit. ENDIAN is a read-only bit.

Bit 31: ENDIAN	Description
0	In a power-on reset, the endian setting external pin (MD5) is low, designating big-endian mode
1	In a power-on reset, the endian setting external pin (MD5) is high, designating little-endian mode

Bit 30—Master/Slave Flag (MASTER): Samples the value of the master/slave specification external pin (MD7) in a power-on reset by the $\overline{\text{RESET}}$ pin. The master/slave status of all spaces is determined by this bit. MASTER is a read-only bit.

Bit 30: MASTER	Description
0	In a power-on reset, the master/slave setting external pin (MD7) is high, designating master mode
1	In a power-on reset, the master/slave setting external pin (MD7) is low, designating slave mode

Bit 29—Area 0 Memory Type (A0MPX): Samples the value of the area 0 memory type specification external pin (MD6) in a power-on reset by the $\overline{\text{RESET}}$ pin. The memory type of area 0 is determined by this bit. A0MPX is a read-only bit.

Bit 29: A0MPX	Description
0	In a power-on reset, the external pin specifying the area 0 memory type (MD6) is high, designating the area 0 as SRAM interface
1	In a power-on reset, the external pin specifying the area 0 memory type (MD6) is low, designating the area 0 as MPX interface

Bits 28, 27, 26*, 23, 22, 16*, and 1—Reserved: These bits are always read as 0, and should only be written with 0.

Note: * SH7750, SH7750S only.

Bit 26—Data pin Pullup Resistor Control (DPUP) (SH7750R only): Controls the pullup resistance of the data pins (D63 to D0). It is initialized at a power-on reset. The pins are not pulled up when access is performed or when the bus is released, even if the ON setting is selected.

Bit 26: DPUP	Description
0	Sets pullup resistance of data pins (D63 to D0) ON (Initial value)
1	Sets pullup resistance of data pins (D63 to D0) OFF

Bit 25—Control Input Pin Pull-Up Resistor Control (IPUP): Specifies the pull-up resistor status for control input pins (NMI, $\overline{\text{IRL0}}\text{--}\overline{\text{IRL3}}$, $\overline{\text{BREQ}}$, MD6/ $\overline{\text{IOIS16}}$, $\overline{\text{RDY}}$). IPUP is initialized by a power-on reset.

Bit 25: IPUP	Description
0	Pull-up resistor is on for control input pins (NMI, $\overline{\text{IRL0}}\text{--}\overline{\text{IRL3}}$, $\overline{\text{BREQ}}$, MD6/ $\overline{\text{IOIS16}}$, $\overline{\text{RDY}}$) (Initial value)
1	Pull-up resistor is off for control input pins (NMI, $\overline{\text{IRL0}}\text{--}\overline{\text{IRL3}}$, $\overline{\text{BREQ}}$, MD6/ $\overline{\text{IOIS16}}$, $\overline{\text{RDY}}$)

Bit 24—Control Output Pin Pull-Up Resistor Control (OPUP): Specifies the pull-up resistor status for control output pins (A[25:0], $\overline{\text{BS}}$, $\overline{\text{CSn}}$, $\overline{\text{RD}}$, $\overline{\text{WEn}}$, $\overline{\text{RD}}/\overline{\text{WR}}$, $\overline{\text{RAS}}$, $\overline{\text{RAS2}}$, $\overline{\text{CE2A}}$, $\overline{\text{CE2B}}$, $\overline{\text{RD2}}$, $\overline{\text{RD}}/\overline{\text{WR2}}$) when high-impedance. OPUP is initialized by a power-on reset.

Bit 24: OPUP	Description
0	Pull-up resistor is on for control output pins (A[25:0], $\overline{\text{BS}}$, $\overline{\text{CSn}}$, $\overline{\text{RD}}$, $\overline{\text{WEn}}$, $\overline{\text{RD}}/\overline{\text{WR}}$, $\overline{\text{RAS}}$, $\overline{\text{RAS2}}$, $\overline{\text{CE2A}}$, $\overline{\text{CE2B}}$, $\overline{\text{RD2}}$, $\overline{\text{RD}}/\overline{\text{WR2}}$) (Initial value)
1	Pull-up resistor is off for control output pins (A[25:0], $\overline{\text{BS}}$, $\overline{\text{CSn}}$, $\overline{\text{RD}}$, $\overline{\text{WEn}}$, $\overline{\text{RD}}/\overline{\text{WR}}$, $\overline{\text{RAS}}$, $\overline{\text{RAS2}}$, $\overline{\text{CE2A}}$, $\overline{\text{CE2B}}$, $\overline{\text{RD2}}$, $\overline{\text{RD}}/\overline{\text{WR2}}$)

Bit 21—Area 1 SRAM Byte Control Mode (A1MBC): MPX interface has priority when an MPX interface is set. This bit is initialized by a power-on reset.

Bit 21: A1MBC	Description
0	Area 1 SRAM is set to normal mode (Initial value)
1	Area 1 SRAM is set to byte control mode

Bit 20—Area 4 SRAM Byte Control Mode (A4MBC): MPX interface has priority when an MPX interface is set. This bit is initialized by a power-on reset.

Bit 20: A4MBC	Description
0	Area 4 SRAM is set to normal mode (Initial value)
1	Area 4 SRAM is set to byte control mode

Bit 19—BREQ Enable (BREQEN): Indicates whether external requests can be accepted. BREQEN is initialized to the external request acceptance disabled state by a power-on reset. It is ignored in the case of a slave mode startup.

Bit 19: BREQEN	Description
0	External requests are not accepted (Initial value)
1	External requests are accepted

Bit 18—Partial-Sharing Bit (PSHR): Sets partial-sharing mode. PSHR is valid only in the case of a master mode startup.

Bit 18: PSHR	Description
0	Master mode (Initial value)
1	Partial-sharing mode

Bit 17—Area 1 to 6 MPX Interface Specification (MEMMPX): Sets the MPX interface when areas 1 to 6 are set as SRAM interface (or burst ROM interface). MEMMPX is initialized by a power-on reset.

Bit 17: MEMMPX	Description
0	SRAM interface (or burst ROM interface) is selected when areas 1 to 6 are set as SRAM interface (or burst ROM interface) (Initial value)
1	MPX interface is selected when areas 1 to 6 are set as SRAM interface (or burst ROM interface)

Bit 16—DMAC Burst Mode Transfer Priority Setting (DMABST) (SH7750R Only):

Specifies the priority of burst mode transfers by the DMAC. When OFF, the priority is as follows: bus privilege released, refresh, DMAC, CPU. When ON, the bus privileges are released and refresh operations are not performed until the end of the DMAC's burst transfer. This bit is initialized at a power-on reset.

Bit 16: DMABST	Description
0	DMAC burst mode transfer priority specification OFF (Initial value)
1	DMAC burst mode transfer priority specification ON

Bit 15—High Impedance Control (HIZMEM): Specifies the state of address and other signals ($A[25:0]$, \overline{BS} , \overline{CSn} , $\overline{RD/WR}$, $\overline{CE2A}$, $\overline{CE2B}$) in software standby mode.

Bit 15: HIZMEM	Description
0	The $A[25:0]$, \overline{BS} , \overline{CSn} , $\overline{RD/WR}$, $\overline{CE2A}$, and $\overline{CE2B}$ signals go to high-impedance (High-Z) in standby mode and when the bus is released (Initial value)
1	The $A[25:0]$, \overline{BS} , \overline{CSn} , $\overline{RD/WR}$, $\overline{CE2A}$, and $\overline{CE2B}$ signals are driven in standby mode. When the bus is released, they go to high-impedance.

Bit 14—High Impedance Control (HIZCNT): Specifies the state of the \overline{RAS} and \overline{CAS} signals in software standby mode and when the bus is released.

Bit 14: HIZCNT	Description
0	The \overline{RAS} , $\overline{RAS2}$, $\overline{WEn/CASn/DQMn}$, $\overline{RD/CASS/FRAME}$, and $\overline{RD2}$ signals go to high-impedance (High-Z) in standby mode and when the bus is released (Initial value)
1	The \overline{RAS} , $\overline{RAS2}$, $\overline{WEn/CASn/DQMn}$, $\overline{RD/CASS/FRAME}$, and $\overline{RD2}$ signals are driven in standby mode and when the bus is released

Bits 13 to 11—Area 0 Burst ROM Control (A0BST2–A0BST0): These bits specify whether burst ROM interface is used in area 0. When burst ROM interface is used, they also specify the number of accesses in a burst. If area 0 is an MPX interface area, these bits are ignored.

Bit 13: A0BST2	Bit 12: A0BST1	Bit 11: A0BST0	Description
0	0	0	Area 0 is accessed as SRAM interface (Initial value)
		1	Area 0 is accessed as burst ROM interface (4 consecutive accesses) Can be used with 8-, 16-, 32-, or 64*-bit bus width
1	1	0	Area 0 is accessed as burst ROM interface (8 consecutive accesses) Can only be used with 8-, 16-, or 32-bit bus width
		1	Area 0 is accessed as burst ROM interface (16 consecutive accesses) Can only be used with 8- or 16-bit bus width. Do not specify for 32-bit bus width
	0	0	Area 0 is accessed as burst ROM interface (32 consecutive accesses) Can only be used with 8-bit bus width
1	1	1	Reserved
		0	Reserved
		1	Reserved

Note: * Settable only for SH7750R.

Bits 10 to 8—Area 5 Burst Enable (A5BST2–A5BST0): These bits specify whether burst ROM interface is used in area 5. When burst ROM interface is used, they also specify the number of accesses in a burst. If area 5 is an MPX interface area, these bits are ignored.

Bit 10: A5BST2	Bit 9: A5BST1	Bit 8: A5BST0	Description
0	0	0	Area 5 is accessed as SRAM interface (Initial value)
		1	Area 5 is accessed as burst ROM interface (4 consecutive accesses) Can be used with 8-, 16-, 32-, or 64*-bit bus width
1	1	0	Area 5 is accessed as burst ROM interface (8 consecutive accesses) Can only be used with 8-, 16-, or 32-bit bus width
		1	Area 5 is accessed as burst ROM interface (16 consecutive accesses) Can only be used with 8- or 16-bit bus width. Do not specify for 32-bit bus width
		0	Reserved
1	0	0	Area 5 is accessed as burst ROM interface (32 consecutive accesses) Can only be used with 8-bit bus width
		1	Reserved
		1	Reserved

Note: Clear to 0 when PCMCIA interface is set.

* Settable only for SH7750R.

Bits 7 to 5—Area 6 Burst Enable (A6BST2–A6BST0): These bits specify whether burst ROM interface is used in area 6. When burst ROM interface is used, they also specify the number of accesses in a burst. If area 6 is an MPX interface area, these bits are ignored.

Bit 7: A6BST2	Bit 6: A6BST1	Bit 5: A6BST0	Description
0	0	0	Area 6 is accessed as SRAM interface (Initial value)
		1	Area 6 is accessed as burst ROM interface (4 consecutive accesses) Can be used with 8-, 16-, 32-, or 64*-bit bus width
	1	0	Area 6 is accessed as burst ROM interface (8 consecutive accesses) Can only be used with 8-, 16-, or 32-bit bus width
1	0	1	Area 6 is accessed as burst ROM interface (16 consecutive accesses) Can only be used with 8- or 16-bit bus width. Do not specify for 32-bit bus width
		0	Area 6 is accessed as burst ROM interface (32 consecutive accesses) Can only be used with 8-bit bus width
	1	0	Reserved
1	1	0	Reserved
		1	Reserved

Note: Clear to 0 when PCMCIA interface is set.

* Settable only for SH7750R.

Bits 4 to 2—Area 2 and 3 Memory Type (DRAMTP2–DRAMTP0): These bits specify the type of memory connected to areas 2 and 3. ROM, SRAM, flash ROM, etc., can be connected as SRAM interface. DRAM and synchronous DRAM can also be connected.

Bit 4: DRAMTP2	Bit 3: DRAMTP1	Bit 2: DRAMTP0	Description
0	0	0	Areas 2 and 3 are SRAM interface or MPX interface* ¹ (Initial value)
		1	Reserved (Cannot be set)
	1	0	Area 2 is SRAM interface or MPX interface* ¹ , area 3 is synchronous DRAM interface
		1	Areas 2 and 3 are synchronous DRAM interface
1	0	0	Area 2 is SRAM interface or MPX interface* ¹ , area 3 is DRAM interface
		1	Areas 2 and 3 are DRAM interface* ²
	1	0	Reserved (Cannot be set)
		1	Reserved (Cannot be set)

Note: *1 Selection of SRAM interface or MPX interface is determined by the setting of the MEMMPX bit

*2 When this mode is selected, 16 or 32 bits should be specified as the bus width for areas 2 and 3. In this mode the MD5 pin is designated for output as the $\overline{\text{RAS2}}$ pin.

Bit 0—Area 5 and 6 Bus Type (A56PCM): Specifies whether areas 5 and 6 are accessed as PCMCIA interface. The setting of these bits has priority over the MEMMPX bit settings.

Bit 0: A56PCM	Description
0	Areas 5 and 6 are accessed as SRAM interface (Initial value)
1	Areas 5 and 6 are accessed as PCMCIA interface*

Note: *The MD3 pin is designated for output as the $\overline{\text{CE2A}}$ pin.

The MD4 pin is designated for output as the $\overline{\text{CE2B}}$ pin.

13.2.2 Bus Control Register 2 (BCR2)

Bus control register 2 (BCR2) is a 16-bit readable/writable register that specifies the bus width for each area, and whether a 16-bit port is used.

BCR2 is initialized to H'3FFC by a power-on reset, but is not initialized by a manual reset or in standby mode. External memory space other than area 0 should not be accessed until register initialization is completed.

Bit:	15	14	13	12	11	10	9	8
Bit name:	A0SZ1	A0SZ0	A6SZ1	A6SZ0	A5SZ1	A5SZ0	A4SZ1	A4SZ0
Initial value:	0/1*	0/1*	1	1	1	1	1	1
R/W:	R	R	R/W	R/W	R/W	R/W	R/W	R/W

Bit:	7	6	5	4	3	2	1	0
Bit name:	A3SZ1	A3SZ0	A2SZ1	A2SZ0	A1SZ1	A0SZ0	—	PORTEN
Initial value:	1	1	1	1	1	1	0	0
R/W:	R/W	R/W	R/W	R/W	R/W	R/W	—	R/W

Note: *These bits sample the values of the external pins that specify the area 0 bus size.

Bits 15 and 14—Area 0 Bus Width (A0SZ1, A0SZ0): These bits sample the external pins, MD4 and MD3 that specify the bus size in a power-on reset by the **RESET** pin. They are read-only bits.

Bit 15	Bit 14	Description
A0SZ1	A0SZ0	
0	0	Bus width is 64 bits
	1	Bus width is 8 bits
1	0	Bus width is 16 bits
	1	Bus width is 32 bits

Bits 2n + 1, 2n—Area n (1 to 6) Bus Width Specification (AnSZ1, AnSZ0): These bits specify the bus width of area n (n = 1 to 6).

(Bit 0): PORTEN	Bit 2n + 1: AnSZ1	Bit 2n: AnSZ0	Description
0	0	0	Bus width is 64 bits
		1	Bus width is 8 bits
	1	0	Bus width is 16 bits
		1	Bus width is 32 bits (Initial value)
1	0	0	Reserved (Setting prohibited)
		1	Bus width is 8 bits
	1	0	Bus width is 16 bits
		1	Bus width is 32 bits

Bit 1—Reserved: This bit is always read as 0, and should only be written with 0.

Bit 0—Port Function Enable (PORTEN): Specifies whether pins D51 to D32 are used as a 20-bit port. When this function is used, a bus width of 8, 16, or 32 bits should be set for all areas.

Bit 0: PORTEN	Description
0	D51 to D32 are not used as a port (Initial value)
1	D51 to D32 are used as a port

13.2.3 Bus Control Register 3 (BCR3) (SH7750R Only)

Bus control register 3 (BCR3) is a 16-bit readable/writable register that specifies the selection of either the MPX interface or the SRAM interface and specifies the burst length when the synchronous DRAM interface is used.

BCR3 is initialized to H'0000 by a power-on reset, but is not initialized by a manual reset or in standby mode. No external memory space other than area 0 should be accessed before register initialization has been completed.

Bit:	15	14	13	12	11	10	9	8
Bit name:	MEMMODE	A1MPX	A4MPX	—	—	—	—	—
Initial value:	0	0	0	0	0	0	0	0
R/W:	R/W	R/W	R/W	R	R	R	R	R
Bit:	7	6	5	4	3	2	1	0
Bit name:	—	—	—	—	—	—	—	SDBL
Initial value:	0	0	0	0	0	0	0	0
R/W:	R	R	R	R	R	R	R	R/W

Bit 15—A1MPX/A4MPX Enable (MEMMODE): Determines whether or not the selection of either the MPX interface or the SRAM interface is by A1MPX and A4MPX rather than by MEMMPX.

Bit 15: MEMMODE	Description
0	MPX or SRAM interface is selected by MEMMPX (Initial value)
1	MPX or SRAM interface is selected by A1MPX and A4MPX

Bits 14 and 13—MPX-Interface Specification for Area 1 and 4 (A1MPX, A4MPX): These bits specify the types of memory connected to areas 1 and 4. These settings are validated by MEMMODE.

Bit 14: A1MPX	Description
0	SRAM/byte control SRAM interface is selected for area 1 (Initial value)
1	MPX interface is selected for area 1

Bit 13: A4MPX	Description
0	SRAM/byte control SRAM interface is selected for area 4 (Initial value)
1	MPX interface is selected for area 4

Bits 12 to 1—Reserved: These bits are always read as 0, and should only be written with 0.

Bit 0—Burst Length (SDBL): Sets the burst length when the synchronous DRAM interface is used. The burst-length setting is only valid when the bus width is 32 bits.

Bit 0: SDBL	Description
0	Burst length is 8 (Initial value)
1	Burst length is 4

13.2.4 Bus Control Register 4 (BCR4) (SH7750R Only)

Bus control register 4 (BCR4) is a 32-bit readable/writable register that enables asynchronous input to the pin corresponding to each bit.

BCR4 is initialized to H'00000000 by a power-on reset, but is not initialized by a manual reset or in standby mode.

When asynchronous input is set ($ASYNCn = 1$), the sampling timing is one cycle earlier than when synchronous input is set ($ASYNCn = 0$)* (see figure 13.4)

The timings shown in this section and section 22, Electrical Characteristics, are all for the case where synchronous input is set ($ASYNCn = 0$).

Note: * With the synchronous input setting, ensure that setup and hold times are observed.

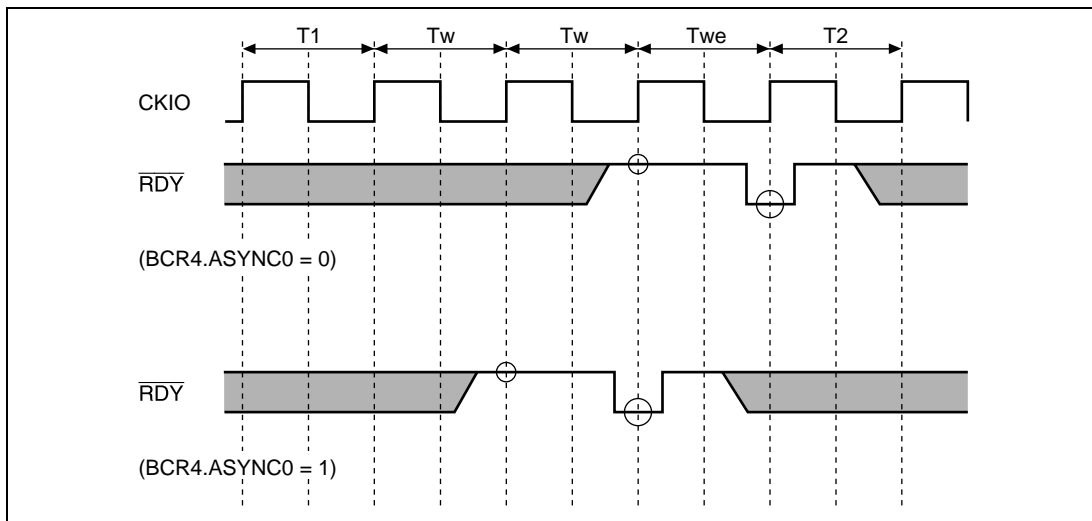


Figure 13.4 Example of \overline{RDY} Sampling Timing at which BCR4 is Set (Two Wait Cycles are Inserted by WCR2)

Bit:	31	30	29	28	27	26	25	24
Bit name:	—	—	—	—	—	—	—	—
Initial value:	0	0	0	0	0	0	0	0
R/W:	R	R	R	R	R	R	R	R

Bit:	23	22	21	20	19	18	17	16
Bit name:	—	—	—	—	—	—	—	—
Initial value:	0	0	0	0	0	0	0	0
R/W:	R	R	R	R	R	R	R	R

Bit:	15	14	13	12	11	10	9	8
Bit name:	—	—	—	—	—	—	—	—
Initial value:	0	0	0	0	0	0	0	0
R/W:	R	R	R	R	R	R	R	R

Bit:	7	6	5	4	3	2	1	0
Bit name:	—	—	—	ASYNC				
Initial value:	0	0	0	0	0	0	0	0
R/W:	R	R	R	R/W	R/W	R/W	R/W	R/W

Bits 31 to 5—Reserved: These bits are always read as 0, and should only be written with 0.

Bits 4 to 0—Asynchronous Input: These bits enable asynchronous input to the corresponding pin.

Bits 4 to 0: ASYNCn Description

0	Input to corresponding pin is synchronous with CKIO	(Initial value)
1	Input to corresponding pin can be asynchronous with CKIO	

Bit Corresponding Pin

4	$\overline{\text{IOIS16}}$
3	$\overline{\text{DREQ1}}$
2	$\overline{\text{DREQ0}}$
1	$\overline{\text{BREQ}}$
0	RDY

13.2.5 Wait Control Register 1 (WCR1)

Wait control register 1 (WCR1) is a 32-bit readable/writable register that specifies the number of idle state insertion cycles for each area. With some kinds of memory, data bus drive does not go off immediately after the read signal from off-chip goes off. As a result, there is a possibility of a data bus collision when consecutive memory accesses are performed on memory in different areas, or when a memory write is performed immediately after a read. In the SH7750 Series, the number of idle cycles set in the WCR1 register are inserted automatically if there is a possibility of this kind of data bus collision.

WCR1 is initialized to H'77777777 by a power-on reset, but is not initialized by a manual reset or in standby mode.

Bit:	31	30	29	28	27	26	25	24
Bit name:	—	DMAIW2	DMAIW1	DMAIW0	—	A6IW2	A6IW1	A6IW0
Initial value:	0	1	1	1	0	1	1	1
R/W:	R	R/W	R/W	R/W	R	R/W	R/W	R/W
Bit:	23	22	21	20	19	18	17	16
Bit name:	—	A5IW2	A5IW1	A5IW0	—	A4IW2	A4IW1	A4IW0
Initial value:	0	1	1	1	0	1	1	1
R/W:	R	R/W	R/W	R/W	R	R/W	R/W	R/W
Bit:	15	14	13	12	11	10	9	8
Bit name:	—	A3IW2	A3IW1	A3IW0	—	A2IW2	A2IW1	A2IW0
Initial value:	0	1	1	1	0	1	1	1
R/W:	R	R/W	R/W	R/W	R	R/W	R/W	R/W
Bit:	7	6	5	4	3	2	1	0
Bit name:	—	A1IW2	A1IW1	A1IW0	—	A0IW2	A0IW1	A0IW0
Initial value:	0	1	1	1	0	1	1	1
R/W:	R	R/W	R/W	R/W	R	R/W	R/W	R/W

Bits 31, 27, 23, 19, 15, 11, 7, and 3—Reserved: These bits are always read as 0, and should only be written with 0.

Bits 30 to 28—DMAIW-DACK Device Inter-Cycle Idle Specification (DMAIW2–DMAIW0): These bits specify the number of idle cycles between bus cycles to be inserted when switching from a DACK device to another space, or from a read access to a write access on the same device. The DMAIW bits are valid only for DMA single address transfer; with DMA dual address transfer, inter-area idle cycles are inserted.

Bits $4n + 2$ to $4n$ —Area n (6 to 0) Inter-Cycle Idle Specification (AnIW2–AnIW0): These bits specify the number of idle cycles between bus cycles to be inserted when switching from external memory space area n ($n = 6$ to 0) to another space, or from a read access to a write access in the same space.

DMAIW2/AnIW2	DMAIW1/AnIW1	DMAIW0/AnIW0	Inserted Idle Cycles
0	0	0	0
		1	1
	1	0	2
		1	3
1	0	0	6
		1	9
	1	0	12
		1	15

(Initial value)

- Idle Insertion between Accesses

Preceding Cycle	Following Cycle								Same Area	Different Area
	Same Area				Different Area					
	Read		Write		Read		Write		MPX Address Output	MPX Address Output
	CPU	DMA	CPU	DMA	CPU	DMA	CPU	DMA		
Read			M	M	M	M	M	M	M (1)	M (1)
Write					M	M	M	M	*2	M
DMA read (memory → device)			M	M	M	M	M	M	—	M (1)
DMA write (device → memory)	D	D	D	D*1	D	D	D	D	—	D (1)

“DMA” in the table indicates DMA single-address transfer. DMA dual transfer is in accordance with the CPU.

M, D: Idle wait always inserted by WCR1

(M(1): One cycle inserted in MPX access even if WCR1 is cleared to 0)

M: Idle cycles according to setting of AnIW2-AnIW0 (area 0 to area 6)

D: Idle cycles according to setting of DMAIW2-DMAIW0

Notes: When synchronous DRAM is used in RAS down mode, set bits DMAIW2-DMAIW0 to 000 and bits A3IW2-A3IW0 to 000.

*1 Inserted when device is switched

*2 On the MPX interface, a WCR1 idle wait may be inserted before an access (either read or write) to the same area after a write access. The specific conditions for idle wait insertion in accesses to the same area are shown below.

(a) Synchronous DRAM set to RAS down mode

(b) Synchronous DRAM accessed by on-chip DMAC

Apart from use under above conditions (a) and (b), an idle wait is also inserted between an MPX interface write access and a following access to the same area. Even under the above conditions, an idle wait may be inserted in a same-area access following an interface write access, depending on the synchronous DRAM pipeline access situation. An idle wait is not inserted when the WCR1 register setting is 0. The setting for the number of idle state cycles inserted after a power-on reset is the default value of 15 (the maximum value), so ensure that the optimum value is set.

13.2.6 Wait Control Register 2 (WCR2)

Wait control register 2 (WCR2) is a 32-bit readable/writable register that specifies the number of wait states to be inserted for each area. It also specifies the data access pitch when performing burst memory access. This enables low-speed memory to be connected without using external circuitry.

WCR2 is initialized to H'FFFFFFF by a power-on reset, but is not initialized by a manual reset or in standby mode.

Bit:	31	30	29	28	27	26	25	24
Bit name:	A6W2	A6W1	A6W0	A6B2	A6B1	A6B0	A5W2	A5W1
Initial value:	1	1	1	1	1	1	1	1
R/W:	R/W	R/W	R/W	R/W	R/W	R/W	R/W	R/W
Bit:	23	22	21	20	19	18	17	16
Bit name:	A5W0	A5B2	A5B1	A5B0	A4W2	A4W1	A4W0	—
Initial value:	1	1	1	1	1	1	1	0
R/W:	R/W	R/W	R/W	R/W	R/W	R/W	R/W	R
Bit:	15	14	13	12	11	10	9	8
Bit name:	A3W2	A3W1	A3W0	—	A2W2	A2W1	A2W0	A1W2
Initial value:	1	1	1	0	1	1	1	1
R/W:	R/W	R/W	R/W	R	R/W	R/W	R/W	R/W
Bit:	7	6	5	4	3	2	1	0
Bit name:	A1W1	A1W0	A0W2	A0W1	A0W0	A0B2	A0B1	A0B0
Initial value:	1	1	1	1	1	1	1	1
R/W:	R/W	R/W	R/W	R/W	R/W	R/W	R/W	R/W

Bits 31 to 29—Area 6 Wait Control (A6W2—A6W0): These bits specify the number of wait states to be inserted for area 6. For details on MPX interface setting, see table 13.6, MPX Interface is Selected (Areas 0 to 6).

			Description	
			First Cycle	
Bit 31: A6W2	Bit 30: A6W1	Bit 29: A6W0	Inserted Wait States	$\overline{\text{RDY}}$ Pin
0	0	0	0	Ignored
		1	1	Enabled
	1	0	2	Enabled
		1	3	Enabled
1	0	0	6	Enabled
		1	9	Enabled
	1	0	12	Enabled
		1	15 (Initial value)	Enabled

Bits 28 to 26—Area 6 Burst Pitch (A6B2—A6B0): These bits specify the number of wait states to be inserted from the second data access onward in a burst transfer with the burst ROM interface selected.

			Description	
			Burst Cycle (Excluding First Cycle)	
Bit 28: A6B2	Bit 27: A6B1	Bit 26: A6B0	Wait States Inserted from Second Data Access Onward	$\overline{\text{RDY}}$ Pin
0	0	0	0	Ignored
		1	1	Enabled
	1	0	2	Enabled
		1	3	Enabled
1	0	0	4	Enabled
		1	5	Enabled
	1	0	6	Enabled
		1	7 (Initial value)	Enabled

Bits 25 to 23—Area 5 Wait Control (A5W2–A5W0): These bits specify the number of wait states to be inserted for area 5. For details on MPX interface setting, see table 13.6, MPX Interface is Selected (Areas 0 to 6).

			Description	
			First Cycle	
Bit 25: A5W2	Bit 24: A5W1	Bit 23: A5W0	Inserted Wait States	$\overline{\text{RDY}}$ Pin
0	0	0	0	Ignored
		1	1	Enabled
	1	0	2	Enabled
		1	3	Enabled
1	0	0	6	Enabled
		1	9	Enabled
	1	0	12	Enabled
		1	15 (Initial value)	Enabled

Bits 22 to 20—Area 5 Burst Pitch (A5B2–A5B0): These bits specify the number of wait states to be inserted from the second data access onward in a burst transfer with the burst ROM interface selected.

			Description	
			Burst Cycle (Excluding First Cycle)	
Bit 22: A5B2	Bit 21: A5B1	Bit 20: A5B0	Wait States Inserted from Second Data Access Onward	$\overline{\text{RDY}}$ Pin
0	0	0	0	Ignored
		1	1	Enabled
	1	0	2	Enabled
		1	3	Enabled
1	0	0	4	Enabled
		1	5	Enabled
	1	0	6	Enabled
		1	7 (Initial value)	Enabled

Bits 19 to 17—Area 4 Wait Control (A4W2–A4W0): These bits specify the number of wait states to be inserted for area 4. For details on MPX interface setting, see table 13.6, MPX Interface is Selected (Areas 0 to 6).

Bit 19: A4W2	Bit 18: A4W1	Bit 17: A4W0	Description	
			Inserted Wait States	$\overline{\text{RDY}}$ Pin
0	0	0	0	Ignored
		1	1	Enabled
	1	0	2	Enabled
		1	3	Enabled
1	0	0	6	Enabled
		1	9	Enabled
	1	0	12	Enabled
		1	15 (Initial value)	Enabled

Bits 16 and 12—Reserved: These bits are always read as 0, and should only be written with 0.

Bits 15 to 13—Area 3 Wait Control (A3W2–A3W0): These bits specify the number of wait states to be inserted for area 3. External wait input is only enabled when SRAM interface or MPX interface is used, and is ignored when DRAM or synchronous DRAM is used. For details on MPX interface setting, see table 13.6, MPX Interface is Selected (Areas 0 to 6).

- When SRAM Interface is Set

Bit 15: A3W2	Bit 14: A3W1	Bit 13: A3W0	Description	
			Inserted Wait States	$\overline{\text{RDY}}$ Pin
0	0	0	0	Ignored
		1	1	Enabled
	1	0	2	Enabled
		1	3	Enabled
1	0	0	6	Enabled
		1	9	Enabled
	1	0	12	Enabled
		1	15 (Initial value)	Enabled

- When DRAM or Synchronous DRAM Interface is Set*¹

Bit 15: A3W2	Bit 14: A3W1	Bit 13: A3W0	Description	
			DRAM $\overline{\text{CAS}}$ Assertion Width	Synchronous DRAM $\overline{\text{CAS}}$ Latency Cycles
0	0	0	1	Inhibited
		1	2	1* ²
	1	0	3	2
		1	4	3
1	0	0	7	4* ²
		1	10	5* ²
	1	0	13	Inhibited
		1	16	Inhibited

Notes: *1 External wait input is always ignored.

*2 Inhibited in RAS down mode.

Bits 11 to 9—Area 2 Wait Control (A2W2–A2W0): These bits specify the number of wait states to be inserted for area 2. External wait input is only enabled when the SRAM interface or MPX interface is used, and is ignored when DRAM or synchronous DRAM is used. For details on MPX interface setting, see table 13.6, MPX Interface is Selected (Areas 0 to 6).

- When SRAM Interface is Set

Bit 11: A2W2	Bit 10: A2W1	Bit 9: A2W0	Description	
			Inserted Wait States	$\overline{\text{RDY}}$ Pin
0	0	0	0	Ignored
		1	1	Enabled
	1	0	2	Enabled
		1	3	Enabled
1	0	0	6	Enabled
		1	9	Enabled
	1	0	12	Enabled
		1	15 (Initial value)	Enabled

- When DRAM or Synchronous DRAM Interface is Set*¹

Bit 11: A2W2	Bit 10: A2W1	Bit 9: A2W0	Description	
			DRAM $\overline{\text{CAS}}$ Assertion Width	Synchronous DRAM $\overline{\text{CAS}}$ Latency Cycles
0	0	0	1	Inhibited
		1	2	1* ²
	1	0	3	2
		1	4	3
1	0	0	7	4* ²
		1	10	5* ²
	1	0	13	Inhibited
		1	16	Inhibited

Notes: *1 External wait input is always ignored.

*2 RAS down mode is prohibited.

Bits 8 to 6—Area 1 Wait Control (A1W2–A1W0): These bits specify the number of wait states to be inserted for area 1. For details on MPX interface setting, see table 13.6, MPX Interface is Selected (Areas 0 to 6).

Bit 8: A1W2	Bit 7: A1W1	Bit 6: A1W0	Description	
			Inserted Wait States	$\overline{\text{RDY}}$ Pin
0	0	0	0	Ignored
		1	1	Enabled
	1	0	2	Enabled
		1	3	Enabled
1	0	0	6	Enabled
		1	9	Enabled
	1	0	12	Enabled
		1	15 (Initial value)	Enabled

Bits 5 to 3—Area 0 Wait Control (A0W2 to A0W0): These bits specify the number of wait states to be inserted for area 0. For details on MPX interface setting, see table 13.6, MPX Interface is Selected (Areas 0 to 6).

			Description	
			First Cycle	
Bit 5: A0W2	Bit 4: A0W1	Bit 3: A0W0	Inserted Wait States	$\overline{\text{RDY}}$ Pin
0	0	0	0	Ignored
		1	1	Enabled
	1	0	2	Enabled
		1	3	Enabled
1	0	0	6	Enabled
		1	9	Enabled
	1	0	12	Enabled
		1	15 (Initial value)	Enabled

Bits 2 to 0—Area 0 Burst Pitch (A0B2–A0B0): These bits specify the number of wait states to be inserted afterwards the second data access in a burst transfer with the burst ROM interface selected.

			Description	
			Burst Cycle (Excluding First Cycle)	
Bit 2: A0B2	Bit 1: A0B1	Bit 0: A0B0	Wait States Inserted from Second Data Access Onward	$\overline{\text{RDY}}$ Pin
0	0	0	0	Ignored
		1	1	Enabled
	1	0	2	Enabled
		1	3	Enabled
1	0	0	4	Enabled
		1	5	Enabled
	1	0	6	Enabled
		1	7 (Initial value)	Enabled

Table 13.6 MPX Interface is Selected (Areas 0 to 6)

AnW2	AnW1	AnW0	Description				
			Inserted Wait States				$\overline{\text{RDY}}$ Pin
			1st Data		2nd Data		
			Read	Write	Onward		
0	0	0	1	0	0	Enabled	
		1		1		Enabled	
	1	0	2	2		Enabled	
		1	3	3		Enabled	
1	0	0	1	0	1	Enabled	
		1		1		Enabled	
	1	0	2	2		Enabled	
		1	3	3		Enabled	

(n = 6 to 0)

13.2.7 Wait Control Register 3 (WCR3)

Wait control register 3 (WCR3) is a 32-bit readable/writable register that specifies the cycles inserted in the setup time from the address until assertion of the write strobe, and the data hold time from negation of the strobe, for each area. This enables low-speed memory to be connected without using external circuitry.

WCR3 is initialized to H'07777777 by a power-on reset, but is not initialized by a manual reset or in standby mode.

Bit:	31	30	29	28	27	26	25	24
Bit name:	—	—	—	—	—	A6S0	A6H1	A6H0
Initial value:	0	0	0	0	0	1	1	1
R/W:	R	R	R	R	R	R/W	R/W	R/W
Bit:	23	22	21	20	19	18	17	16
Bit name:	—	A5S0	A5H1	A5H0	A4RDH*	A4S0	A4H1	A4H0
Initial value:	0	1	1	1	0	1	1	1
R/W:	R	R/W	R/W	R/W	R/W*	R/W	R/W	R/W
Bit:	15	14	13	12	11	10	9	8
Bit name:	—	A3S0	A3H1	A3H0	—	A2S0	A2H1	A2H0
Initial value:	0	1	1	1	0	1	1	1
R/W:	R	R/W	R/W	R/W	R	R/W	R/W	R/W
Bit:	7	6	5	4	3	2	1	0
Bit name:	A1RDH*	A1S0	A1H1	A0H0	—	A0S0	A0H1	A0H0
Initial value:	0	1	1	1	0	1	1	1
R/W:	R/W*	R/W	R/W	R/W	R	R/W	R/W	R/W

Note: * SH7750R only

Bits 31 to 27, 23, 19*, 15, 11, 7*, and 3—Reserved: These bits are always read as 0, and should only be written with 0.

Note: * SH7750R only

Bit 4n + 2—Area n (6 to 0) Write Strobe Setup Time (AnS0): Specifies the number of cycles inserted in the setup time from the address until assertion of the read/write strobe. Valid only for SRAM interface, byte control SRAM interface, and burst ROM interface.

Bit 4n + 2: AnS0	Waits Inserted in Setup	
0	0	
1	1	(Initial value)

(n = 6 to 0)

Bits 4n + 1 and 4n—Area n (6 to 0) Data Hold Time (AnH1, AnH0): When writing, these bits specify the number of cycles to be inserted in the hold time from negation of the write strobe. When reading, they specify the number of cycles to be inserted in the hold time from the data sampling timing. Valid only for SRAM interface, byte control SRAM interface, and burst ROM interface.

Bit 4n + 1: AnH1	Bit 4n: AnH0	Waits Inserted in Hold	
0	0	0	
	1	1	
1	0	2	
	1	3	(Initial value)

(n = 6 to 0)

Bits 4n+3—Area n (4 or 1) Read-Strobe Negate Timing (AnRDH) (Setting Only Possible in the SH7750R): When reading, these bits specify the timing for the negation of read strobe. These bits should be cleared to 0 when a byte control SRAM setting is made.

Bit 4n + 3: AnRDH	Read-Strobe Negate Timing
0	Negation occurs after insertion of the number of hold wait cycles specified by the AnH setting (Initial value)
1	Negation occurs based on the read strobe data sampling timing

(n = 4 or 1)

13.2.8 Memory Control Register (MCR)

The memory control register (MCR) is a 32-bit readable/writable register that specifies $\overline{\text{RAS}}$ and $\overline{\text{CAS}}$ timing and burst control for DRAM and synchronous DRAM (areas 2 and 3), address multiplexing, and refresh control. This enables DRAM and synchronous DRAM to be connected without using external circuitry.

MCR is initialized to H'00000000 by a power-on reset, but is not initialized by a manual reset or in standby mode. Bits RASD, MRSET, TRC2-0, TPC2-0, RCD1-0, TRWL2-0, TRAS2-0, BE, SZ1-0, AMXEXT, AMX2-0, and EDOMODE are written in the initialization following a power-

on reset, and should not be modified subsequently. When writing to bits RFSH and RMODE, the same values should be written to the other bits so that they remain unchanged. When using DRAM or synchronous DRAM, areas 2 and 3 should not be accessed until register initialization is completed.

Bit:	31	30	29	28	27	26	25	24
Bit name:	RASD	MRSET	TRC2	TRC1	TRC0	—	—	—
Initial value:	0	0	0	0	0	0	0	0
R/W:	R/W	R/W	R/W	R/W	R/W	R	R	R

Bit:	23	22	21	20	19	18	17	16
Bit name:	TCAS	—	TPC2	TPC1	TPC0	—	RCD1	RCD0
Initial value:	0	0	0	0	0	0	0	0
R/W:	R/W	R	R/W	R/W	R/W	R	R/W	R/W

Bit:	15	14	13	12	11	10	9	8
Bit name:	TRWL2	TRWL1	TRWL0	TRAS2	TRAS1	TRAS0	BE	SZ1
Initial value:	0	0	0	0	0	0	0	0
R/W:	R/W	R/W	R/W	R/W	R/W	R/W	R/W	R/W

Bit:	7	6	5	4	3	2	1	0
Bit name:	SZ0	AMXEXT	AMX2	AMX1	AMX0	RFSH	RMODE	EDO MODE
Initial value:	0	0	0	0	0	0	0	0
R/W:	R/W	R/W	R/W	R/W	R/W	R/W	R/W	R/W

Bit 31—RAS Down (RASD): Sets RAS down mode. When DRAM/RAS down mode is used, set BE to 1. Do not set RAS down mode in slave mode or partial-sharing mode, or when areas 2 and 3 are both designated as synchronous DRAM interface.

Bit 31: RASD	Description
0	Normal mode (Initial value)
1	RAS down mode

Note: When synchronous DRAM is used in RAS down mode, set bits DMAIW2–DMAIW0 to 000 and bits A3IW2–A3IW0 to 000.

Bit 30—Mode Register Set (MRSET): Set when a synchronous DRAM mode register setting is used. See Power-On Sequence in section 13.3.5, Synchronous DRAM Interface.

Bit 30: MRSET	Description
0	All-bank precharge (Initial value)
1	Mode register setting

Bits 29 to 27—RAS Precharge Time at End of Refresh (TRC2–TRC0)

(Synchronous DRAM: auto- and self-refresh both enabled; DRAM: auto- and self-refresh both enabled)

Bit 29: TRC2	Bit 28: TRC1	Bit 27: TRC0	RAS Precharge Interval Immediately after Refresh
0	0	0	0 (Initial value)
		1	3
	1	0	6
		1	9
1	0	0	12
		1	15
	1	0	18
		1	21

Bits 26 to 24, 22, and 18—Reserved: These bits are always read as 0, and should only be written with 0.

Bit 23—CAS Negation Period (TCAS): This bit is valid only when DRAM interface is set.

Bit 23: TCAS	CAS Negation Period
0	1 (Initial value)
1	2

Bits 21 to 19—RAS Precharge Period (TPC2–TPC0): When the DRAM interface is set, these bits specify the minimum number of cycles until $\overline{\text{RAS}}$ is asserted again after being negated. When the synchronous DRAM interface is set, these bits specify the minimum number of cycles until the next bank active command is output after precharging.

Bit 21: TPC2	Bit 20: TPC1	Bit 19: TPC0	RAS Precharge Interval	
			DRAM	Synchronous DRAM
0	0	0	0	1* (Initial value)
		1	1	2
	1	0	2	3
		1	3	4*
1	0	0	4	5*
		1	5	6*
	1	0	6	7*
		1	7	8*

Note: * Inhibited in RAS down mode.

Bits 17 and 16—RAS-CAS Delay (RCD1, RCD0): When the DRAM interface is set, these bits set the $\overline{\text{RAS}}\text{-}\overline{\text{CAS}}$ assertion delay time. When the synchronous DRAM interface is set, these bits set the bank active-read/write command delay time.

Bit 17: RCD1	Bit 16: RCD0	Description	
		DRAM	Synchronous DRAM
0	0	2 cycles	Reserved (Setting prohibited)
	1	3 cycles	2 cycles
1	0	4 cycles	3 cycles
	1	5 cycles	4 cycles*

Note: * Inhibited in RAS down mode.

Bits 15 to 13—Write Precharge Delay (TRWL2–TRWL0): These bits set the synchronous DRAM write precharge delay time. In auto-precharge mode, they specify the time until the next bank active command is issued after a write cycle. After a write cycle, the next active command is not issued for a period of $\text{TPC} + \text{TRWL}$. In RAS down mode, they specify the time until the next precharge command is issued. After a write cycle, the next precharge command is not issued for a period of TRWL. This setting is valid only when synchronous DRAM interface is set.

For the setting values and delay time when no command is issued, refer to section 22.3.3, Bus Timing.

Bit 15: TRWL2	Bit 14: TRWL1	Bit 13: TRWL0	Write Precharge ACT Delay Time
0	0	0	1 (Initial value)
		1	2
	1	0	3*
		1	4*
1	0	0	5*
		1	Reserved (Setting prohibited)
	1	0	Reserved (Setting prohibited)
		1	Reserved (Setting prohibited)

Note: * Inhibited in RAS down mode.

Bits 12 to 10—CAS-Before-RAS Refresh $\overline{\text{RAS}}$ Assertion Period (TRAS2–TRAS0): When the DRAM interface is set, these bits set the $\overline{\text{RAS}}$ assertion period in CAS-before-RAS refreshing. When the synchronous DRAM interface is set, the bank active command is not issued for a period of TRC* + TRAS after an auto-refresh command is issued.

Note: * Bits 29 to 27: RAS precharge interval at end of refresh.

Bit 12: TRAS2	Bit 11: TRAS1	Bit 10: TRAS0	$\overline{\text{RAS}}$ /DRAM Assertion Period	Command Interval after Synchronous DRAM Refresh
0	0	0	2	4 + TRC* (Initial value)
		1	3	5 + TRC
	1	0	4	6 + TRC
		1	5	7 + TRC
1	0	0	6	8 + TRC
		1	7	9 + TRC
	1	0	8	10 + TRC
		1	9	11 + TRC

Note: * Bits 29 to 27: RAS precharge interval at end of refresh.

Bit 9—Burst Enable (BE): Specifies whether burst access is performed on DRAM interface. In synchronous DRAM access, burst access is always performed regardless of the specification of this bit. The DRAM transfer mode depends on EDOMODE.

BE	EDOMODE	8/16/32/64-Bit Transfer	32-Byte Transfer
0	0	Single	Single
	1	Setting prohibited	Setting prohibited
1	0	Single/fast page*	Fast page
	1	EDO	EDO

Note: * In fast page mode, 32-bit or 64-bit transfer with a 16-bit bus, 64-bit transfer with a 32-bit bus.

Bits 8 and 7—Memory Data Size (SZ1, SZ0): These bits specify the bus width of DRAM and synchronous DRAM. This setting has priority over the BCR2 register setting.

Bit 8: SZ1	Bit 7: SZ0	Description	
		DRAM	SDRAM
0	0	64 bits	64 bits
	1	Reserved (Setting prohibited)	Reserved (Setting prohibited)
1	0	16 bits	Reserved (Setting prohibited)
	1	32 bits	32 bits

Bits 6 to 3—Address Multiplexing (AMXEXT, AMX2–AMX0): These bits specify address multiplexing for DRAM and synchronous DRAM. The address shift value is different for the DRAM interface and the synchronous DRAM interface.

- For DRAM Interface:

Bit 6: AMXEXT	Bit 5: AMX2	Bit 4: AMX1	Bit 3: AMX0	Description DRAM	
0*	0	0	0	8-bit column address product (Initial value)	
			1	9-bit column address product	
		1	0	10-bit column address product	
			1	11-bit column address product	
	1	0	0	0	12-bit column address product
				1	Reserved (Setting prohibited)
		1	0	0	Reserved (Setting prohibited)
				1	Reserved (Setting prohibited)

Note: * When the DRAM interface is used, clear the AMXEXT bit to 0.

- For Synchronous DRAM Interface:

AMX	AMXEXT	SZ	Example of Synchronous DRAM	BANK*4
0	0	64	(16M: 512k × 16 bits × 2) × 4	a[22]*1
		32	(16M: 512k × 16 bits × 2) × 2	a[21]*1
	1	64	(16M: 512k × 16 bits × 2) × 4	a[21]*1
		32	(16M: 512k × 16 bits × 2) × 2	a[20]*1
1	0	64	(16M: 1M × 8 bits × 2) × 8	a[23]*1
		32	(16M: 1M × 8 bits × 2) × 4	a[22]*1
	1	64	(16M: 1M × 8 bits × 2) × 8	a[22]*1
		32	(16M: 1M × 8 bits × 2) × 4	a[21]*1
2	—	64	(64M: 1M × 16 bits × 4) × 4	a[24:23]*1
		32	(64M: 1M × 16 bits × 4) × 2	a[23:22]*1
3	—	64	(64M: 2M × 8 bits × 4) × 8	a[25:24]*1
		32	(64M: 2M × 8 bits × 4) × 4	a[24:23]*1
4	—	64	(64M: 512k × 32 bits × 4) × 2	a[23:22]*1
		32	(64M: 512k × 32 bits × 4) × 1	a[22:21]*1
5	—	64	(64M: 1M × 32 bits × 2) × 2	a[23]*1
		32	(64M: 1M × 32 bits × 2) × 1	a[22]*1
6	0	64	(128M: 4M × 8 bits × 4) × 8*2	a[26:25]*1
	1	64	(256M: 4M × 16 bits × 4) × 4*2	a[26:25]*1
	0	32	(128M: 4M × 8 bits × 4) × 4*3	a[25:24]*1
	1	32	(256M: 4M × 16 bits × 4) × 2*3	a[25:24]*1
7	—	64	(16M: 256k × 32 bits × 2) × 2	a[21]*1
		32	(16M: 256k × 32 bits × 2) × 1	a[20]*1

Notes: *1 a[*]: Not an address pin but an external address

*2 Can only be set in the SH7750R.

*3 Can only be set in the SH7750S/SH7750R (Setting prohibited in the SH7750).

*4 For details on address multiplexing, refer to appendix F, Synchronous DRAM Address Multiplexing Tables.

Bit 2—Refresh Control (RFSH): Specifies refresh control. Selects whether refreshing is performed for DRAM and synchronous DRAM. When the refresh function is not used, the refresh request cycle generation timer can be used as an interval timer.

Bit 2: RFSH	Description
0	Refreshing is not performed (Initial value)
1	Refreshing is performed

Bit 1—Refresh Mode (RMODE): Specifies whether normal refreshing or self-refreshing is performed when the RFSH bit is set to 1. When the RFSH bit is 1 and this bit is cleared to 0, CAS-before-RAS refreshing or auto-refreshing is performed for DRAM and synchronous DRAM, using the cycle set by refresh-related registers RTCNT, RTCOR, and RTCSR. If a refresh request is issued during an external bus cycle, the refresh cycle is executed when the bus cycle ends. When the RFSH bit is 1 and this bit is set to 1, the self-refresh state is set for DRAM and synchronous DRAM, after waiting for the end of any currently executing external bus cycle. All refresh requests for memory in the self-refresh state are ignored.

Bit 1: RMODE	Description
0	CAS-before-RAS refreshing is performed (when RFSH = 1) (Initial value)
1	Self-refreshing is performed (when RFSH = 1)

Bit 0—EDO Mode (EDOMODE): Used to specify the data sampling timing for data reads when using EDO mode DRAM interface. The setting of this bit does not affect the operation timing of memory other than DRAM. Set this bit to 1 only when DRAM is used.

13.2.9 PCMCIA Control Register (PCR)

The PCMCIA control register (PCR) is a 16-bit readable/writable register that specifies the \overline{OE} and \overline{WE} signal assertion/negation timing for the PCMCIA interface connected to areas 5 and 6. The \overline{OE} and \overline{WE} signal assertion width is set by the wait control bits in the WCR2 register. For details of access to PCMCIA, see section 13.3.7, PCMCIA Interface.

PCR is initialized to H'0000 by a power-on reset, but is not initialized by a manual reset or in standby mode.

Bit:	15	14	13	12	11	10	9	8
Bit name:	A5PCW1	A5PCW0	A6PCW1	A6PCW0	A5TED2	A5TED1	A5TED0	A6TED2
Initial value:	0	0	0	0	0	0	0	0
R/W:	R/W	R/W	R/W	R/W	R/W	R/W	R/W	R/W

Bit:	7	6	5	4	3	2	1	0
Bit name:	A6TED1	A6TED0	A5TEH2	A5TEH1	A5TEH0	A6TEH2	A6TEH1	A6TEH0
Initial value:	0	0	0	0	0	0	0	0
R/W:	R/W	R/W	R/W	R/W	R/W	R/W	R/W	R/W

Bits 15 and 14—PCMCIA Wait (A5PCW1, A5PCW0): These bits specify the number of waits to be added to the number of waits specified by WCR2 in a low-speed PCMCIA wait cycle. The setting of these bits is selected when the PCMCIA interface access TC bit is cleared to 0.

Bit 15: A5PCW1	Bit 14: A5PCW0	Waits Inserted
0	0	0 (Initial value)
	1	15
1	0	30
	1	50

Bits 13 and 12—PCMCIA Wait (A6PCW1, A6PCW0): These bits specify the number of waits to be added to the number of waits specified by WCR2 in a low-speed PCMCIA wait cycle. The setting of these bits is selected when the PCMCIA interface access TC bit is set to 1.

Bit 13: A6PCW1	Bit 12: A6PCW0	Waits Inserted
0	0	0 (Initial value)
	1	15
1	0	30
	1	50

Bits 11 to 9—Address- $\overline{\text{OE}}/\overline{\text{WE}}$ Assertion Delay (A5TED2–A5TED0): These bits set the delay time from address output to $\overline{\text{OE}}/\overline{\text{WE}}$ assertion on the connected PCMCIA interface. The setting of these bits is selected when the PCMCIA interface access TC bit is cleared to 0.

Bit 11: A5TED2	Bit 10: A5TED1	Bit 9: A5TED0	Waits Inserted
0	0	0	0 (Initial value)
		1	1
	1	0	2
1	0	1	3
		0	6
	1	0	12
		1	9
		1	15

Bits 8 to 6—Address- $\overline{OE}/\overline{WE}$ Assertion Delay (A6TED2–A6TED0): These bits set the delay time from address output to $\overline{OE}/\overline{WE}$ assertion on the connected PCMCIA interface. The setting of these bits is selected when the PCMCIA interface access TC bit is set to 1.

Bit 8: A6TED2	Bit 7: A6TED1	Bit 6: A6TED0	Waits Inserted
0	0	0	0 (Initial value)
		1	1
	1	0	2
		1	3
1	0	0	6
		1	9
	1	0	12
		1	15

Bits 5 to 3— $\overline{OE}/\overline{WE}$ Negation-Address Delay (A5TEH2–A5TEH0): These bits set the address hold delay time from $\overline{OE}/\overline{WE}$ negation in a write on the connected PCMCIA interface or in an I/O card read. The setting of these bits is selected when the PCMCIA interface access TC bit is cleared to 0.

Bit 5: A5TEH2	Bit 4: A5TEH1	Bit 3: A5TEH0	Waits Inserted
0	0	0	0 (Initial value)
		1	1
	1	0	2
		1	3
1	0	0	6
		1	9
	1	0	12
		1	15

Bits 2 to 0— $\overline{OE}/\overline{WE}$ Negation-Address Delay (A6TEH2–A6TEH0): These bits set the address hold delay time from $\overline{OE}/\overline{WE}$ negation in a write on the connected PCMCIA interface or in an I/O card read. In the case of a memory card read, the address hold delay time from the data sampling timing is set. The setting of these bits is selected when the PCMCIA interface access TC bit is set to 1.

Bit 2: A6TEH2	Bit 1: A6TEH1	Bit 0: A6TEH0	Waits Inserted
0	0	0	0 (Initial value)
		1	1
	1	0	2
1	0	1	3
		0	6
	1	1	9
		0	12
		1	15

13.2.10 Synchronous DRAM Mode Register (SDMR)

The synchronous DRAM mode register (SDMR) is a write-only virtual 16-bit register that is written to via the synchronous DRAM address bus, and sets the mode of the area 2 and area 3 synchronous DRAM.

Settings for the SDMR register must be made before accessing synchronous DRAM.

Bit:	15	14	13	12	11	10	9	8
Bit name:	<input type="text"/>	<input type="text"/>	<input type="text"/>	<input type="text"/>	<input type="text"/>	<input type="text"/>	<input type="text"/>	<input type="text"/>
Initial value:	—	—	—	—	—	—	—	—
R/W:	W	W	W	W	W	W	W	W
Bit:	7	6	5	4	3	2	1	0
Bit name:	<input type="text"/>	<input type="text"/>	<input type="text"/>	<input type="text"/>	<input type="text"/>	<input type="text"/>	<input type="text"/>	<input type="text"/>
Initial value:	—	—	—	—	—	—	—	—
R/W:	W	W	W	W	W	W	W	W

Since the address bus, not the data bus, is used to write to the synchronous DRAM mode register, if the value to be set is “X” and the SDMR register address is “Y”, value “X” is written to the synchronous DRAM mode register by performing a write to address X + Y. When the synchronous DRAM bus width is set to 32 bits, as A0 of the synchronous DRAM is connected to A2 of the SH7750 Series, and A1 of the synchronous DRAM is connected to A3 of the SH7750 Series, the value actually written to the synchronous DRAM is the value of “X” shifted 2 bits to the right.

For example, to write H'0230 to the area 2 SDMR register, arbitrary data is written to address H'FF900000 (address “Y”) + H'08C0 (value “X”) (= H'FF9008C0). As a result, H'0230 is written to the SDMR register. The range of value “X” is H'0000 to H'0FFC.

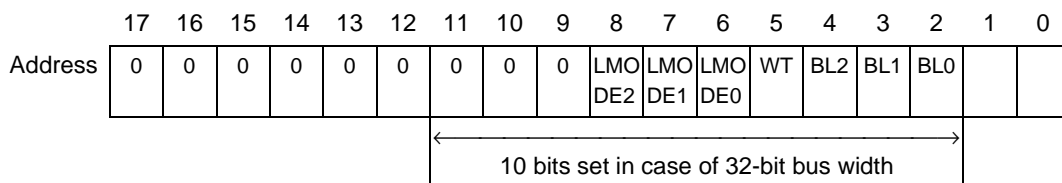
Similarly, to write H'0230 to the area 3 SDMR register, arbitrary data is written to address H'FF940000 (address “Y”) + H'08C0 (value “X”) (= H'FF9408C0). As a result, H'0230 is written to the SDMR register. The range of value “X” is H'0000 to H'0FFC.

The lower 16 bits of the address are set in the synchronous DRAM mode register.

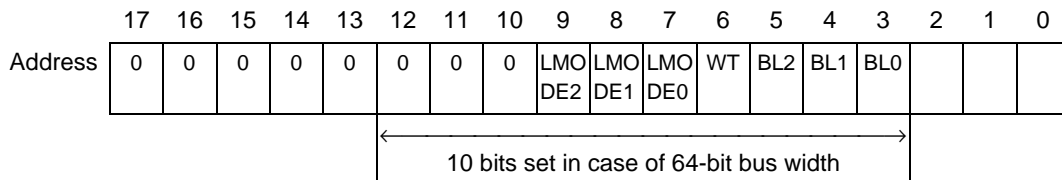
When the bus width is 32 bits, the burst length is 4* and 8. When the bus width is 64 bits, the burst length is fixed at 4. When a setting is made in SDMR, byte-size writes are performed at the following addresses.

Bus Width	Burst Length	CAS Latency	Area 2	Area 3
32	4*	1	H'FF900048	H'FF940048
		2	H'FF900088	H'FF940088
		3	H'FF9000C8	H'FF9400C8
32	8	1	H'FF90004C	H'FF94004C
		2	H'FF90008C	H'FF94008C
		3	H'FF9000CC	H'FF9400CC
64	4	1	H'FF900090	H'FF940090
		2	H'FF900110	H'FF940110
		3	H'FF900190	H'FF940190

For a 32-bit bus:



For a 64-bit bus:



LMODE: RAS-CAS latency
 BL: Burst length
 WT: Wrap type (0: Sequential)

BL	LMODE
000: Reserved	000: Reserved
001: Reserved	001: 1
010: 4	010: 2
011: 8	011: 3
100: Reserved	100: Reserved
101: Reserved	101: Reserved
110: Reserved	110: Reserved
111: Reserved	111: Reserved

Note: * SH7750R only.

13.2.11 Refresh Timer Control/Status Register (RTCSR)

The refresh timer control/status register (RTCSR) is a 16-bit readable/writable register that specifies the refresh cycle and whether interrupts are to be generated.

RTCSR is initialized to H'0000 by a power-on reset, but is not initialized by a manual reset or in standby mode.

Bit:	15	14	13	12	11	10	9	8
Bit name:	—	—	—	—	—	—	—	—
Initial value:	0	0	0	0	0	0	0	0
R/W:	—	—	—	—	—	—	—	—

Bit:	7	6	5	4	3	2	1	0
Bit name:	CMF	CMIE	CKS2	CKS1	CKS0	OVF	OVIE	LMTS
Initial value:	0	0	0	0	0	0	0	0
R/W:	R/W	R/W	R/W	R/W	R/W	R/W	R/W	R/W

Bits 15 to 8—Reserved: These bits are always read as 0. For the write values, see section 13.2.15, Notes on Accessing Refresh Control Registers.

Bit 7—Compare-Match Flag (CMF): Status flag that indicates a match between the refresh timer counter (RTCNT) and refresh time constant register (RTCOR) values.

Bit 7: CMF	Description
0	RTCNT and RTCOR values do not match (Initial value) [Clearing condition] When 0 is written to CMF
1	RTCNT and RTCOR values match [Setting condition] When RTCNT = RTCOR*

Note: * If 1 is written, the original value is retained.

Bit 6—Compare-Match Interrupt Enable (CMIE): Controls generation or suppression of an interrupt request when the CMF flag is set to 1 in RTCSR. Do not set this bit to 1 when CAS-before-RAS refreshing or auto-refreshing is used.

Bit 6: CMIE	Description
0	Interrupt requests initiated by CMF are disabled (Initial value)
1	Interrupt requests initiated by CMF are enabled

Bits 5 to 3—Clock Select Bits (CKS2–CKS0): These bits select the input clock for RTCNT. The base clock is the external bus clock (CKIO). The RTCNT count clock is obtained by scaling CKIO by the specified factor.

Bit 5: CKS2	Bit 4: CKS1	Bit 3: CKS0	Description
0	0	0	Clock input disabled (Initial value)
		1	Bus clock (CKIO)/4
	1	0	CKIO/16
		1	CKIO/64
1	0	0	CKIO/256
		1	CKIO/1024
	1	0	CKIO/2048
		1	CKIO/4096

Bit 2—Refresh Count Overflow Flag (OVF): Status flag that indicates that the number of refresh requests indicated by the refresh count register (RFCR) has exceeded the number specified by the LMTS bit in RTCSR.

Bit 2: OVF	Description
0	RFCR has not overflowed the count limit indicated by LMTS (Initial value) [Clearing condition] When 0 is written to OVF
1	RFCR has overflowed the count limit indicated by LMTS [Setting condition] When RFCR overflows the count limit set by LMTS*

Note: *If 1 is written, the original value is retained.

Bit 1—Refresh Count Overflow Interrupt Enable (OVIE): Controls generation or suppression of an interrupt request when the OVF flag is set to 1 in RTCSR.

Bit 1: OVIE	Description
0	Interrupt requests initiated by OVF are disabled (Initial value)
1	Interrupt requests initiated by OVF are enabled

Bit 0—Refresh Count Overflow Limit Select (LMTS): Specifies the count limit to be compared with the refresh count indicated by the refresh count register (RFCR). If the RFCR register value exceeds the value specified by LMTS, the OVF flag is set.

Bit 0: LMTS	Description
0	Count limit is 1024 (Initial value)
1	Count limit is 512

13.2.12 Refresh Timer Counter (RTCNT)

The refresh timer counter (RTCNT) is an 8-bit readable/writable counter that is incremented by the input clock (selected by bits CKS2–CKS0 in the RTCSR register). When the RTCNT counter value matches the RTCOR register value, the CMF bit is set in the RTCSR register and the RTCNT counter is cleared.

RTCNT is initialized to H'0000 by a power-on reset, but continues to count when a manual reset is performed. In standby mode, RTCNT is not initialized, and retains its contents.

Bit:	15	14	13	12	11	10	9	8
Bit name:	—	—	—	—	—	—	—	—
Initial value:	0	0	0	0	0	0	0	0
R/W:	—	—	—	—	—	—	—	—
Bit:	7	6	5	4	3	2	1	0
Bit name:								
Initial value:	0	0	0	0	0	0	0	0
R/W:	R/W	R/W	R/W	R/W	R/W	R/W	R/W	R/W

13.2.13 Refresh Time Constant Register (RTCOR)

The refresh time constant register (RTCOR) is a readable/writable register that specifies the upper limit of the RTCNT counter. The RTCOR register and RTCNT counter values (lower 8 bits) are constantly compared, and when they match the CMF bit is set in the RTCSR register and the RTCNT counter is cleared to 0. If the refresh bit (RFSH) has been set to 1 in the memory control register (MCR) and CAS-before-RAS has been selected as the refresh mode, a memory refresh cycle is generated when the CMF bit is set.

RTCOR is initialized to H'0000 by a power-on reset, but is not initialized, and retains its contents, in a manual reset and in standby mode.

Bit:	15	14	13	12	11	10	9	8
Bit name:	—	—	—	—	—	—	—	—
Initial value:	0	0	0	0	0	0	0	0
R/W:	—	—	—	—	—	—	—	—

Bit:	7	6	5	4	3	2	1	0
Bit name:								
Initial value:	0	0	0	0	0	0	0	0
R/W:	R/W	R/W	R/W	R/W	R/W	R/W	R/W	R/W

13.2.14 Refresh Count Register (RFCR)

The refresh count register (RFCR) is a 10-bit readable/writable counter that counts the number of refreshes by being incremented each time the RTCOR register and RTCNT counter values match. If the RFCR register value exceeds the count limit specified by the LMTS bit in the RTCSR register, the OVF flag is set in the RTCSR register and the RFCR register is cleared.

RFCR is initialized to H'0000 by a power-on reset, but is not initialized, and retains its contents, in a manual reset and in standby mode.

Bit:	15	14	13	12	11	10	9	8
Bit name:	—	—	—	—	—	—		
Initial value:	0	0	0	0	0	0	0	0
R/W:	—	—	—	—	—	—	R/W	R/W
Bit:	7	6	5	4	3	2	1	0
Bit name:								
Initial value:	0	0	0	0	0	0	0	0
R/W:	R/W	R/W	R/W	R/W	R/W	R/W	R/W	R/W

13.2.15 Notes on Accessing Refresh Control Registers

When the refresh timer control/status register (RTCSR), refresh timer counter (RTCNT), refresh time constant register (RTCOR), and refresh count register (RFCR) are written to, a special code is added to the data to prevent inadvertent rewriting in the event of program runaway, etc. The following procedures should be used for read/write operations.

Writing to RTCSR, RTCNT, RTCOR, and RFCR: A word transfer instruction must always be used when writing to RTCSR, RTCNT, RTCOR, or RFCR. A write cannot be performed with a byte transfer instruction.

When writing to RTCSR, RTCNT, or RTCOR, set B'10100101 in the upper byte and the write data in the lower byte, as shown in figure 13.5. When writing to RFCR, set B'101001 in the 6 bits starting from the MSB in the upper byte, and the write data in the remaining bits.

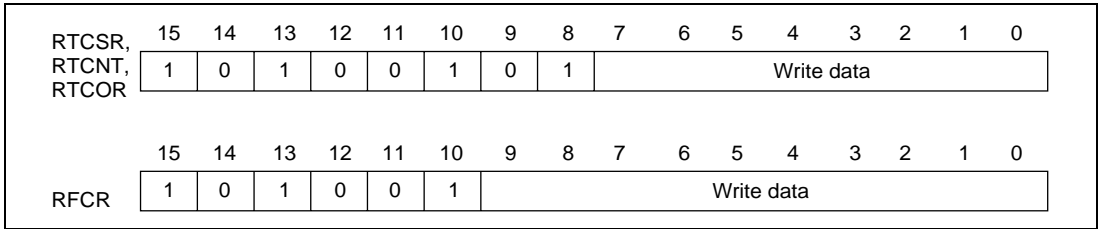


Figure 13.5 Writing to RTCSR, RTCNT, RTCOR, and RFCR

Reading RTCSR, RTCNT, RTCOR, and RFCR: A 16-bit access must always be used when reading RTCSR, RTCNT, RTCOR, or RFCR. Undefined bits are read as 0.

13.3 Operation

13.3.1 Endian/Access Size and Data Alignment

The SH7750 Series supports both big-endian mode, in which the most significant byte (MSByte) is at the 0 address end in a string of byte data, and little-endian mode, in which the least significant byte (LSByte) is at the 0 address end. The mode is set by means of the MD5 external pin in a power-on reset by the RESET pin, big-endian mode being set if the MD5 pin is low, and little-endian mode if it is high.

A data bus width of 8, 16, 32, or 64 bits can be selected for normal memory, 16, 32, or 64 bits for DRAM, 32 or 64 bits for synchronous DRAM, and 8 or 16 bits for the PCMCIA interface. Data alignment is carried out according to the data bus width and endian mode of each device. If the data bus width is smaller than the access size, a number of bus cycles will be generated automatically until the access size is reached. In this case, address incrementing is performed automatically according to the bus width as access is performed. For example, if longword access is performed in an 8-bit bus width area using the SRAM interface, four accesses are executed, with the address automatically incremented by 1 each time. In 32-byte transfer, a total of 32 bytes of data are transferred consecutively according to the set bus width. The first access is performed on the data for which there was an access request, and the remaining accesses are performed on 32-byte boundary data using wraparound. Bus release or refresh operations are not performed between these transfers. Data alignment and data length conversion between the different interfaces is performed automatically. Quadword access is used only in transfer by the DMAC.

The relationship between the endian mode, device data length, and access unit, is shown in tables 13.7 to 13.14.

Table 13.7 (1) 64-Bit External Device/Big-Endian Access and Data Alignment

Operation			Data Bus							
Access Size	Address	No.	D63–56	D55–48	D47–40	D39–32	D31–24	D23–16	D15–8	D7–0
Byte	8n	1	Data 7–0	—	—	—	—	—	—	—
	8n+1	1	—	Data 7–0	—	—	—	—	—	—
	8n+2	1	—	—	Data 7–0	—	—	—	—	—
	8n+3	1	—	—	—	Data 7–0	—	—	—	—
	8n+4	1	—	—	—	—	Data 7–0	—	—	—
	8n+5	1	—	—	—	—	—	Data 7–0	—	—
	8n+6	1	—	—	—	—	—	—	Data 7–0	—
	8n+7	1	—	—	—	—	—	—	—	Data 7–0
Word	8n	1	Data 15–8	Data 7–0	—	—	—	—	—	—
	8n+2	1	—	—	Data 15–8	Data 7–0	—	—	—	—
	8n+4	1	—	—	—	—	Data 15–8	Data 7–0	—	—
	8n+6	1	—	—	—	—	—	—	Data 15–8	Data 7–0
Long-word	8n	1	Data 31–24	Data 23–16	Data 15–8	Data 7–0	—	—	—	—
	8n+4	1	—	—	—	—	Data 31–24	Data 23–16	Data 15–8	Data 7–0
Quad-word	8n	1	Data 63–56	Data 55–48	Data 47–40	Data 39–32	Data 31–24	Data 23–16	Data 15–8	Data 7–0

Table 13.7 (2) 64-Bit External Device/Big-Endian Access and Data Alignment

Operation			Strobe Signals							
Access Size	Address	No.	$\overline{WE7}$, $\overline{CAS7}$, $\overline{DQM7}$	$\overline{WE6}$, $\overline{CAS6}$, $\overline{DQM6}$	$\overline{WE5}$, $\overline{CAS5}$, $\overline{DQM5}$	$\overline{WE4}$, $\overline{CAS4}$, $\overline{DQM4}$	$\overline{WE3}$, $\overline{CAS3}$, $\overline{DQM3}$	$\overline{WE2}$, $\overline{CAS2}$, $\overline{DQM2}$	$\overline{WE1}$, $\overline{CAS1}$, $\overline{DQM1}$	$\overline{WE0}$, $\overline{CAS0}$, $\overline{DQM0}$
			Byte	8n	1	Asserted				
8n+1	1	Asserted								
8n+2	1	Asserted								
8n+3	1	Asserted								
8n+4	1	Asserted								
8n+5	1	Asserted								
8n+6	1	Asserted								
8n+7	1	Asserted								
Word	8n	1	Asserted	Asserted						
	8n+2	1	Asserted		Asserted					
	8n+4	1	Asserted				Asserted			
	8n+6	1	Asserted						Asserted	Asserted
Long-word	8n	1	Asserted	Asserted	Asserted	Asserted				
	8n+4	1	Asserted				Asserted	Asserted	Asserted	Asserted
Quad-word	8n	1	Asserted	Asserted	Asserted	Asserted	Asserted	Asserted	Asserted	Asserted

Table 13.8 32-Bit External Device/Big-Endian Access and Data Alignment

Operation			Data Bus				Strobe Signals				
Access Size	Address	No.	D31–D24	D23–D16	D15–D8	D7–D0	$\overline{WE3}$,	$\overline{WE2}$,	$\overline{WE1}$,	$\overline{WE0}$,	
							CAS3, DQM3	CAS2, DQM2	CAS1, DQM1	CAS0, DQM0	
Byte	4n	1	Data 7–0	—	—	—	Asserted				
	4n+1	1	—	Data 7–0	—	—	Asserted				
	4n+2	1	—	—	Data 7–0	—	Asserted				
	4n+3	1	—	—	—	Data 7–0	Asserted				
Word	4n	1	Data 15–8	Data 7–0	—	—	Asserted	Asserted			
	4n+2	1	—	—	Data 15–8	Data 7–0			Asserted	Asserted	
Long-word	4n	1	Data 31–24	Data 23–16	Data 15–8	Data 7–0	Asserted	Asserted	Asserted	Asserted	
Quad-word	8n	1	Data 63–56	Data 55–48	Data 47–40	Data 39–32	Asserted	Asserted	Asserted	Asserted	
	8n+4	2	Data 31–24	Data 23–16	Data 15–8	Data 7–0	Asserted	Asserted	Asserted	Asserted	

Table 13.9 16-Bit External Device/Big-Endian Access and Data Alignment

Operation			Data Bus				Strobe Signals			
Access Size	Address	No.	D31–D24	D23–D16	D15–D8	D7–D0	$\overline{WE3}$, $\overline{CAS3}$, DQM3	$\overline{WE2}$, $\overline{CAS2}$, DQM2	$\overline{WE1}$, $\overline{CAS1}$, DQM1	$\overline{WE0}$, $\overline{CAS0}$, DQM0
Byte	2n	1	—	—	Data 7–0	—				Asserted
	2n+1	1	—	—	—	Data 7–0				Asserted
Word	2n	1	—	—	Data 15–8	Data 7–0				Asserted Asserted
Long- word	4n	1	—	—	Data 31–24	Data 23–16				Asserted Asserted
	4n+2	2	—	—	Data 15–8	Data 7–0				Asserted Asserted
Quad- word	8n	1	—	—	Data 63–56	Data 55–48				Asserted Asserted
	8n+2	2	—	—	Data 47–40	Data 39–32				Asserted Asserted
	8n+4	3	—	—	Data 31–24	Data 23–16				Asserted Asserted
	8n+6	4	—	—	Data 15–8	Data 7–0				Asserted Asserted

Table 13.10 8-Bit External Device/Big-Endian Access and Data Alignment

Operation			Data Bus				Strobe Signals			
Access Size	Address	No.	D31–D24	D23–D16	D15–D8	D7–D0	$\overline{WE3}$, $\overline{CAS3}$, DQM3	$\overline{WE2}$, $\overline{CAS2}$, DQM2	$\overline{WE1}$, $\overline{CAS1}$, DQM1	$\overline{WE0}$, $\overline{CAS0}$, DQM0
Byte	n	1	—	—	—	Data 7–0				Asserted
Word	2n	1	—	—	—	Data 15–8				Asserted
	2n+1	2	—	—	—	Data 7–0				Asserted
Long-word	4n	1	—	—	—	Data 31–24				Asserted
	4n+1	2	—	—	—	Data 23–16				Asserted
	4n+2	3	—	—	—	Data 15–8				Asserted
	4n+3	4	—	—	—	Data 7–0				Asserted
Quad-word	8n	1	—	—	—	Data 63–56				Asserted
	8n+1	2	—	—	—	Data 55–48				Asserted
	8n+2	3	—	—	—	Data 47–40				Asserted
	8n+3	4	—	—	—	Data 39–32				Asserted
	8n+4	5	—	—	—	Data 31–24				Asserted
	8n+5	6	—	—	—	Data 23–16				Asserted
	8n+6	7	—	—	—	Data 15–8				Asserted
	8n+7	8	—	—	—	Data 7–0				Asserted

Table 13.11 (1) 64-Bit External Device/Little-Endian Access and Data Alignment

Operation			Data Bus							
Access Size	Address	No.	D63–56	D55–48	D47–40	D39–32	D31–24	D23–16	D15–8	D7–0
Byte	8n	1	—	—	—	—	—	—	—	Data 7–0
	8n+1	1	—	—	—	—	—	—	Data 7–0	—
	8n+2	1	—	—	—	—	—	Data 7–0	—	—
	8n+3	1	—	—	—	—	Data 7–0	—	—	—
	8n+4	1	—	—	—	Data 7–0	—	—	—	—
	8n+5	1	—	—	Data 7–0	—	—	—	—	—
	8n+6	1	—	Data 7–0	—	—	—	—	—	—
	8n+7	1	Data 7–0	—	—	—	—	—	—	—
Word	8n	1	—	—	—	—	—	—	Data 15–8	Data 7–0
	8n+2	1	—	—	—	—	Data 15–8	Data 7–0	—	—
	8n+4	1	—	—	Data 15–8	Data 7–0	—	—	—	—
	8n+6	1	Data 15–8	Data 7–0	—	—	—	—	—	—
Long-word	8n	1	—	—	—	—	Data 31–24	Data 23–16	Data 15–8	Data 7–0
	8n+4	1	Data 31–24	Data 23–16	Data 15–8	Data 7–0	—	—	—	—
Quad-word	8n	1	Data 63–56	Data 55–48	Data 47–40	Data 39–32	Data 31–24	Data 23–16	Data 15–8	Data 7–0

Table 13.11 (2) 64-Bit External Device/Little-Endian Access and Data Alignment

Operation			Strobe Signals							
Access Size	Address	No.	$\overline{WE7}$, $\overline{CAS7}$, $\overline{DQM7}$	$\overline{WE6}$, $\overline{CAS6}$, $\overline{DQM6}$	$\overline{WE5}$, $\overline{CAS5}$, $\overline{DQM5}$	$\overline{WE4}$, $\overline{CAS4}$, $\overline{DQM4}$	$\overline{WE3}$, $\overline{CAS3}$, $\overline{DQM3}$	$\overline{WE2}$, $\overline{CAS2}$, $\overline{DQM2}$	$\overline{WE1}$, $\overline{CAS1}$, $\overline{DQM1}$	$\overline{WE0}$, $\overline{CAS0}$, $\overline{DQM0}$
			Byte	8n	1					
8n+1	1								Asserted	
8n+2	1							Asserted		
8n+3	1						Asserted			
8n+4	1					Asserted				
8n+5	1				Asserted					
8n+6	1			Asserted						
8n+7	1	Asserted								
Word	8n	1							Asserted	Asserted
	8n+2	1					Asserted	Asserted		
	8n+4	1			Asserted	Asserted				
	8n+6	1	Asserted	Asserted						
Long-word	8n	1					Asserted	Asserted	Asserted	Asserted
	8n+4	1	Asserted	Asserted	Asserted	Asserted				
Quad-word	8n	1	Asserted	Asserted	Asserted	Asserted	Asserted	Asserted	Asserted	Asserted

Table 13.12 32-Bit External Device/Little-Endian Access and Data Alignment

Operation			Data Bus				Strobe Signals			
Access Size	Address No.	D31–D24	D23–D16	D15–D8	D7–D0	WE3,	WE2,	WE1,	WE0,	
						CAS3, DQM3	CAS2, DQM2	CAS1, DQM1	CAS0, DQM0	
Byte	4n	1	—	—	Data 7–0				Asserted	
	4n+1	1	—	—	Data 7–0				Asserted	
	4n+2	1	—	Data 7–0	—	—			Asserted	
	4n+3	1	Data 7–0	—	—	—			Asserted	
Word	4n	1	—	—	Data 15–8	Data 7–0			Asserted Asserted	
	4n+2	1	Data 15–8	Data 7–0	—	—			Asserted Asserted	
Long-word	4n	1	Data 31–24	Data 23–16	Data 15–8	Data 7–0	Asserted	Asserted	Asserted	Asserted
Quad-word	8n	1	Data 31–24	Data 23–16	Data 15–8	Data 7–0	Asserted	Asserted	Asserted	Asserted
	8n+4	2	Data 63–56	Data 55–48	Data 47–40	Data 39–32	Asserted	Asserted	Asserted	Asserted

Table 13.13 16-Bit External Device/Little-Endian Access and Data Alignment

Operation			Data Bus				Strobe Signals			
Access Size	Address	No.	D31–D24	D23–D16	D15–D8	D7–D0	$\overline{WE3}$, $\overline{CAS3}$, DQM3	$\overline{WE2}$, $\overline{CAS2}$, DQM2	$\overline{WE1}$, $\overline{CAS1}$, DQM1	$\overline{WE0}$, $\overline{CAS0}$, DQM0
Byte	2n	1	—	—	—	Data 7–0				Asserted
	2n+1	1	—	—	Data 7–0	—			Asserted	
Word	2n	1	—	—	Data 15–8	Data 7–0			Asserted	Asserted
Long-word	4n	1	—	—	Data 15–8	Data 7–0			Asserted	Asserted
	4n+2	2	—	—	Data 31–24	Data 23–16			Asserted	Asserted
Quad-word	8n	1	—	—	Data 15–8	Data 7–0			Asserted	Asserted
	8n+2	2	—	—	Data 31–24	Data 23–16			Asserted	Asserted
	8n+4	3	—	—	Data 47–40	Data 39–32			Asserted	Asserted
	8n+6	4	—	—	Data 63–56	Data 55–48			Asserted	Asserted

Table 13.14 8-Bit External Device/Little-Endian Access and Data Alignment

Operation			Data Bus				Strobe Signals			
							$\overline{WE3}$, $\overline{CAS3}$, DQM3	$\overline{WE2}$, $\overline{CAS2}$, DQM2	$\overline{WE1}$, $\overline{CAS1}$, DQM1	$\overline{WE0}$, $\overline{CAS0}$, DQM0
Access Size	Address No.		D31–D24	D23–D16	D15–D8	D7–D0				
Byte	n	1	—	—	—	Data 7–0			Asserted	
Word	2n	1	—	—	—	Data 7–0			Asserted	
	2n+1	2	—	—	—	Data 15–8			Asserted	
Long- word	4n	1	—	—	—	Data 7–0			Asserted	
	4n+1	2	—	—	—	Data 15–8			Asserted	
	4n+2	3	—	—	—	Data 23–16			Asserted	
	4n+3	4	—	—	—	Data 31–24			Asserted	
Quad- word	8n	1	—	—	—	Data 7–0			Asserted	
	8n+1	2	—	—	—	Data 15–8			Asserted	
	8n+2	3	—	—	—	Data 23–16			Asserted	
	8n+3	4	—	—	—	Data 31–24			Asserted	
	8n+4	5	—	—	—	Data 39–32			Asserted	
	8n+5	6	—	—	—	Data 47–40			Asserted	
	8n+6	7	—	—	—	Data 55–48			Asserted	
	8n+7	8	—	—	—	Data 63–56			Asserted	

13.3.2 Areas

Area 0: For area 0, external address bits A28 to A26 are 000.

SRAM, MPX, and burst ROM can be set to this area.

A bus width of 8, 16, 32, or 64 bits can be selected in a power-on reset by means of external pins MD4 and MD3. For details, see Memory Bus Width in section 13.1.5.

When area 0 is accessed, the $\overline{\text{CS0}}$ signal is asserted. In addition, the $\overline{\text{RD}}$ signal, which can be used as $\overline{\text{OE}}$, and write control signals $\overline{\text{WE0}}$ to $\overline{\text{WE7}}$, are asserted.

As regards the number of bus cycles, from 0 to 15 waits can be selected with bits A0W2 to A0W0 in the WCR2 register. In addition, any number of waits can be inserted in each bus cycle by means of the external wait pin ($\overline{\text{RDY}}$).

When the burst ROM interface is used, the number of burst cycle transfer states is selected in the range 2 to 9 according to the number of waits.

The read/write strobe signal address and the $\overline{\text{CS}}$ setup/hold time can be set, respectively, to 0 or 1 and to 0 to 3 cycles using the A0S0, A0H1, and A0H0 bits in the WCR3 register.

Area 1: For area 1, external address bits A28 to A26 are 001.

SRAM, MPX and byte control SRAM can be set to this area.

A bus width of 8, 16, 32, or 64 bits can be selected with bits A1SZ1 and A1SZ0 in the BCR2 register. When MPX interface is set, a bus width of 32 or 64 bits should be selected with bits A1SZ1 and A1SZ0 in the BCR2 register. When byte control SRAM interface is set, select a bus width of 16, 32, or 64 bits.

When area 1 is accessed, the $\overline{\text{CS1}}$ signal is asserted. In addition, the $\overline{\text{RD}}$ signal, which can be used as $\overline{\text{OE}}$, and write control signals $\overline{\text{WE0}}$ to $\overline{\text{WE7}}$, are asserted.

As regards the number of bus cycles, from 0 to 15 waits can be selected with bits A1W2 to A1W0 in the WCR2 register. In addition, any number of waits can be inserted in each bus cycle by means of the external wait pin ($\overline{\text{RDY}}$).

The read/write strobe signal address and $\overline{\text{CS}}$ setup and hold times can be set within a range of 0–1 and 0–3 cycles, respectively, by means of bit A1S0 and bits A1H1 and A1H0 in the WCR3 register.

Area 2: For area 2, external address bits A28 to A26 are 010.

SRAM, MPX, DRAM, and synchronous DRAM can be set to this area.

When SRAM interface is set, a bus width of 8, 16, 32, or 64 bits can be selected with bits A2SZ1 and A2SZ0 in the BCR2 register. When MPX interface is set, a bus width of 32 or 64 bits should be selected with bits A2SZ1 and A2SZ0 in the BCR2 register. When synchronous DRAM interface is set, select 32 or 64 bits with the SZ bits in the MCR register. When DRAM is connected to area 2, select a bus width of 16 or 32 bits with the SZ bits in MCR. For details, see Memory Bus Width in section 13.1.5.

When area 2 is accessed, the $\overline{\text{CS2}}$ signal is asserted.

When SRAM interface is set, the $\overline{\text{RD}}$ signal, which can be used as $\overline{\text{OE}}$, and write control signals $\overline{\text{WE0}}$ to $\overline{\text{WE7}}$, are asserted.

As regards the number of bus cycles, from 0 to 15 waits can be selected with bits A2W2 to A2W0 in the WCR2 register. In addition, any number of waits can be inserted in each bus cycle by means of the external wait pin ($\overline{\text{RDY}}$).

The read/write strobe signal address and $\overline{\text{CS}}$ setup and hold times can be set within a range of 0–1 and 0–3 cycles, respectively, by means of bit A2S0 and bits A2H1 and A2H0 in the WCR3 register.

When synchronous DRAM interface is set, the $\overline{\text{RAS}}$ and $\overline{\text{CAS}}$ signals, $\text{RD}/\overline{\text{WR}}$ signal, and byte control signals DQM0 to DQM7 are asserted, and address multiplexing is performed. $\overline{\text{RAS}}$, $\overline{\text{CAS}}$, and data timing control, and address multiplexing control, can be set using the MCR register.

When DRAM is connected, the $\overline{\text{RAS2}}$ signal, $\overline{\text{CAS4}}$ to $\overline{\text{CAS7}}$ signals, and $\text{RD}/\overline{\text{WR}}$ signal are asserted, and address multiplexing is performed. $\overline{\text{RAS2}}$, $\overline{\text{CAS}}$, and data timing control, and address multiplexing control, can be set using the MCR register.

Area 3: For area 3, external address bits A28 to A26 are 011.

SRAM, MPX, DRAM, and synchronous DRAM can be set to this area.

When SRAM interface is set, a bus width of 8, 16, 32, or 64 bits can be selected with bits A3SZ1 and A3SZ0 in the BCR2 register. When MPX interface is set, a bus width of 32 or 64 bits should be selected with bits A3SZ1 and A3SZ0 in the BCR2 register. When DRAM interface is set, 16, 32, or 64 bits can be selected with the SZ bits in the MCR register. When synchronous DRAM interface is set, select 32 or 64 bits with the SZ bits in MCR. For details, see Memory Bus Width in section 13.1.5.

When area 3 is accessed, the $\overline{\text{CS3}}$ signal is asserted.

When SRAM interface is set, the $\overline{\text{RD}}$ signal, which can be used as $\overline{\text{OE}}$, and write control signals $\overline{\text{WE0}}$ to $\overline{\text{WE7}}$, are asserted.

As regards the number of bus cycles, from 0 to 15 waits can be selected with bits A3W2 to A3W0 in the WCR2 register. In addition, any number of waits can be inserted in each bus cycle by means of the external wait pin ($\overline{\text{RDY}}$).

The read/write strobe signal address and $\overline{\text{CS}}$ setup and hold times can be set within a range of 0–1 and 0–3 cycles, respectively, by means of bit A3S0 and bits A3H1 and A3H0 in the WCR3 register.

When synchronous DRAM interface is set, the $\overline{\text{RAS}}$ and $\overline{\text{CAS}}$ signals, $\text{RD}/\overline{\text{WR}}$ signal, and byte control signals DQM0 to DQM7 are asserted, and address multiplexing is performed. When DRAM interface is set, the $\overline{\text{RAS}}$ signal, $\overline{\text{CAS0}}$ to $\overline{\text{CAS7}}$ signals, and $\text{RD}/\overline{\text{WR}}$ signal are asserted, and address multiplexing is performed. $\overline{\text{RAS}}$, $\overline{\text{CAS}}$, and data timing control, and address multiplexing control, can be set using the MCR register.

Area 4: For area 4, external address bits A28 to A26 are 100.

SRAM, MPX, and byte control SRAM can be set to this area.

A bus width of 8, 16, 32, or 64 bits can be selected with bits A4SZ1 and A4SZ0 in the BCR2 register. When MPX interface is set, a bus width of 32 or 64 bits should be selected with bits A4SZ1 and A4SZ0 in the BCR2 register. When byte control SRAM interface is set, select a bus width of 16, 32, or 64 bits. For details, see Memory Bus Width in section 13.1.5.

When area 4 is accessed, the $\overline{\text{CS4}}$ signal is asserted, and the $\overline{\text{RD}}$ signal, which can be used as $\overline{\text{OE}}$, and write control signals $\overline{\text{WE0}}$ to $\overline{\text{WE7}}$, are also asserted.

As regards the number of bus cycles, from 0 to 15 waits can be selected with bits A4W2 to A4W0 in the WCR2 register. In addition, any number of waits can be inserted in each bus cycle by means of the external wait pin ($\overline{\text{RDY}}$).

The read/write strobe signal address and $\overline{\text{CS}}$ setup and hold times can be set within a range of 0–1 and 0–3 cycles, respectively, by means of bit A4S0 and bits A4H1 and A4H0 in the WCR3 register.

Area 5: For area 5, external address bits A28 to A26 are 101.

SRAM, MPX, burst ROM, and a PCMCIA interface can be set to this area.

When SRAM interface is set, a bus width of 8, 16, 32, or 64 bits can be selected with bits A5SZ1 and A5SZ0 in the BCR2 register. When burst ROM interface is set, a bus width of 8, 16 or 32 bits can be selected with bits A5SZ1 and A5SZ0 in BCR2. When MPX interface is set, a bus width of 32 or 64 bits should be selected with bits A5SZ1 and A5SZ0 in BCR2. When a PCMCIA interface is set, either 8 or 16 bits should be selected with bits A5SZ1 and A5SZ0 in BCR2. For details, see Memory Bus Width in section 13.1.5.

When area 5 set is accessed with SRAM interface set, the $\overline{\text{CS5}}$ signal is asserted. In addition, the $\overline{\text{RD}}$ signal, which can be used as $\overline{\text{OE}}$, and write control signals $\overline{\text{WE0}}$ to $\overline{\text{WE7}}$, are asserted. When a PCMCIA interface is connected, the $\overline{\text{CE1A}}$ and $\overline{\text{CE2A}}$ signals, the $\overline{\text{RD}}$ signal, which can be used as $\overline{\text{OE}}$, and the $\overline{\text{WE1}}$, $\overline{\text{WE2}}$, $\overline{\text{WE3}}$, and $\overline{\text{WE7}}$ signals, which can be used as $\overline{\text{WE}}$, $\overline{\text{ICIORD}}$, $\overline{\text{ICIOWR}}$, and $\overline{\text{REG}}$, respectively, are asserted.

As regards the number of bus cycles, from 0 to 15 waits can be selected with bits A5W2 to A5W0 in the WCR2 register. In addition, any number of waits can be inserted in each bus cycle by means of the external wait pin ($\overline{\text{RDY}}$).

When the burst function is used, the number of burst cycle transfer states is determined in the range 2 to 9 according to the number of waits.

The read/write strobe signal address and $\overline{\text{CS}}$ setup and hold times can be set within a range of 0–1 and 0–3 cycles, respectively, by means of bit A5S0 and bits A5H1 and A5H0 in the WCR3 register.

When a PCMCIA interface is used, the address/ $\overline{\text{CE1A}}$ / $\overline{\text{CE2A}}$ setup and hold times with respect to the read/write strobe signals can be set in the range of 0 to 15 cycles with bits AnTED1 and AnTED0, and bits AnTEH1 and AnTEH0, in the PCR register. In addition, the number of wait cycles can be set in the range 0 to 50 with bits AnPCW1 and AnPCW0. The number of waits set in PCR is added to the number of waits set in WCR2.

Area 6: For area 6, external address bits A28 to A26 are 110.

SRAM, MPX, burst ROM, and a PCMCIA interface can be set to this area.

When SRAM interface is set, a bus width of 8, 16, 32, or 64 bits can be selected with bits A6SZ1 and A6SZ0 in the BCR2 register. When burst ROM interface is set, a bus width of 8, 16 or 32 bits can be selected with bits A6SZ1 and A6SZ0 in BCR2. When MPX interface is set, a bus width of 32 or 64 bits should be selected with bits A6SZ1 and A6SZ0 in BCR2. When a PCMCIA interface is set, either 8 or 16 bits should be selected with bits A6SZ1 and A6SZ0 in BCR2. For details, see Memory Bus Width in section 13.1.5.

When area 6 is accessed with SRAM interface set, the $\overline{\text{CS6}}$ signal is asserted. In addition, the $\overline{\text{RD}}$ signal, which can be used as $\overline{\text{OE}}$, and write control signals $\overline{\text{WE0}}$ to $\overline{\text{WE7}}$, are asserted. When a PCMCIA interface is set, the $\overline{\text{CE1B}}$ and $\overline{\text{CE2B}}$ signals, the $\overline{\text{RD}}$ signal, which can be used as $\overline{\text{OE}}$, and the $\overline{\text{WE1}}$, $\overline{\text{WE2}}$, $\overline{\text{WE3}}$, and $\overline{\text{WE7}}$ signals, which can be used as $\overline{\text{WE}}$, $\overline{\text{ICIORD}}$, $\overline{\text{ICIORW}}$, and $\overline{\text{REG}}$, respectively, are asserted.

As regards the number of bus cycles, from 0 to 15 waits can be selected with bits A6W2 to A6W0 in the WCR2 register. In addition, any number of waits can be inserted in each bus cycle by means of the external wait pin ($\overline{\text{RDY}}$).

When the burst function is used, the number of burst cycle transfer states is determined in the range 2 to 9 according to the number of waits.

The read/write strobe signal address and $\overline{\text{CS}}$ setup and hold times can be set within a range of 0–1 and 0–3 cycles, respectively, by means of bit A6S0 and bits A6H1 and A6H0 in the WCR3 register.

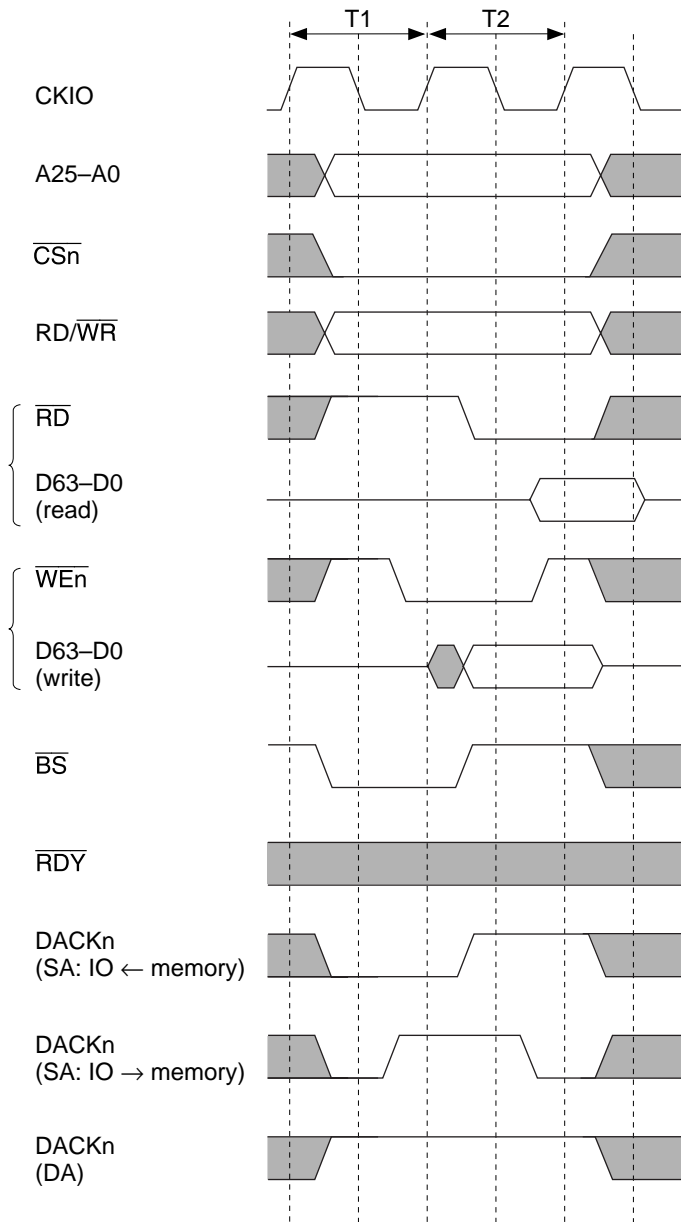
When a PCMCIA interface is used, the address/ $\overline{\text{CE1B}}$ / $\overline{\text{CE2B}}$ setup and hold times with respect to the read/write strobe signals can be set in the range of 0 to 15 cycles with bits AnTED1 and AnTED0, and bits AnTEH1 and AnTEH0, in the PCR register. In addition, the number of wait cycles can be set in the range 0 to 50 with bits AnPCW1 and AnPCW0. The number of waits set in PCR is added to the number of waits set in WCR2.

13.3.3 SRAM Interface

Basic Timing: The SRAM interface of the SH7750 Series uses strobe signal output in consideration of the fact that mainly SRAM will be connected. Figure 13.6 shows the basic timing of normal space accesses. A no-wait normal access is completed in two cycles. The \overline{BS} signal is asserted for one cycle to indicate the start of a bus cycle. The \overline{CSn} signal is asserted on the T1 rising edge, and negated on the next T2 clock rising edge. Therefore, there is no negation period in case of access at minimum pitch.

There is no access size specification when reading. The correct access address is output to the address pins (A[25:0]), but since there is no access size specification, 32 bits are always read in the case of a 32-bit device, and 16 bits in the case of a 16-bit device. When writing, only the \overline{WE} signal for the byte to be written is asserted. For details, see section 13.3.1, Endian/Access Size and Data Alignment.

In 32-byte transfer, a total of 32 bytes are transferred consecutively according to the set bus width. The first access is performed on the data for which there was an access request, and the remaining accesses are performed in wrap around mode on the data at the 32-byte boundary. The bus is not released during this transfer.



SA: Single address DMA
 DA: Dual address DMA

Note: For DACKn, an example is shown where CHCRn.AL (access level) = 0 for the DMAC.

Figure 13.6 Basic Timing of SRAM Interface

Figures 13.7, 13.8, 13.9, and 13.10 show examples of connection to 64-, 32-, 16-, and 8-bit data width SRAM.

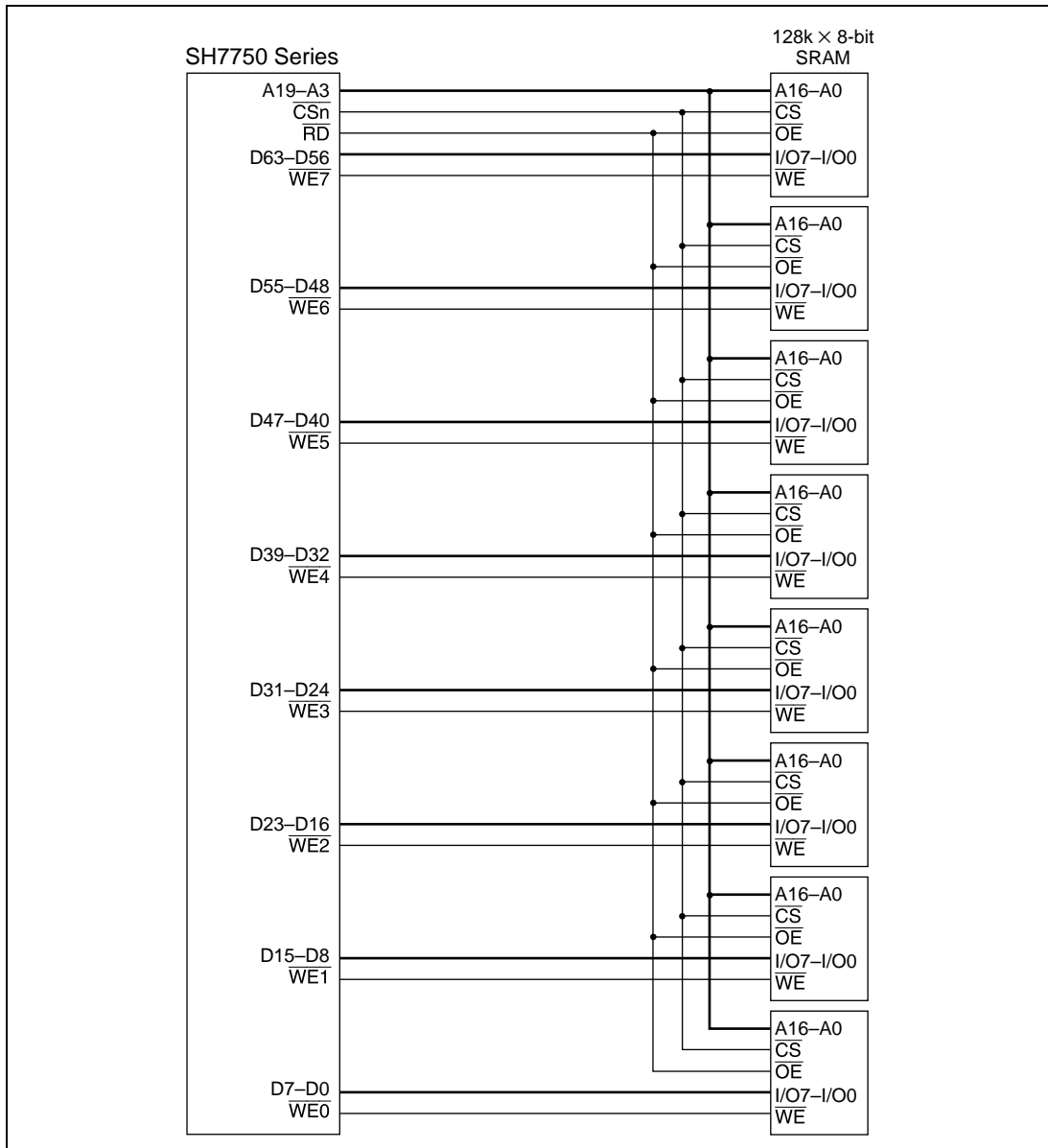


Figure 13.7 Example of 64-Bit Data Width SRAM Connection

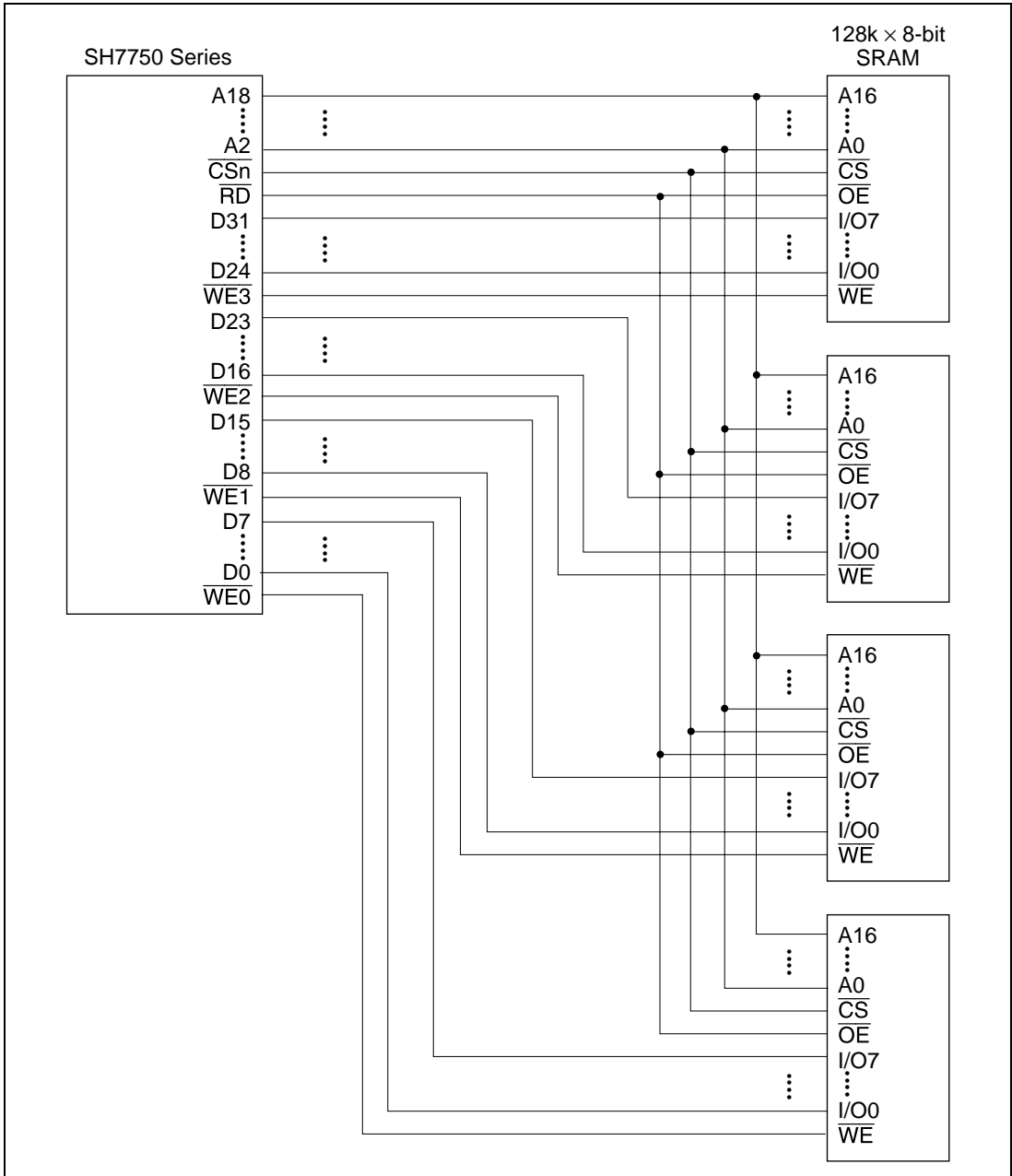


Figure 13.8 Example of 32-Bit Data Width SRAM Connection

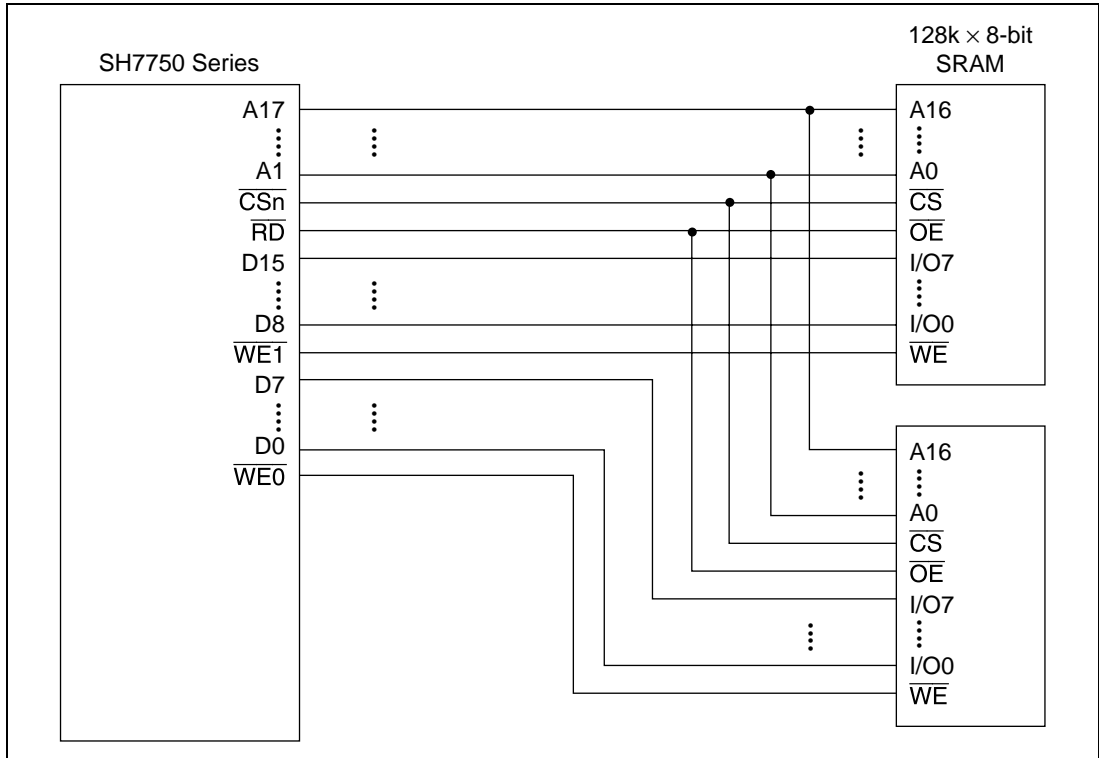


Figure 13.9 Example of 16-Bit Data Width SRAM Connection

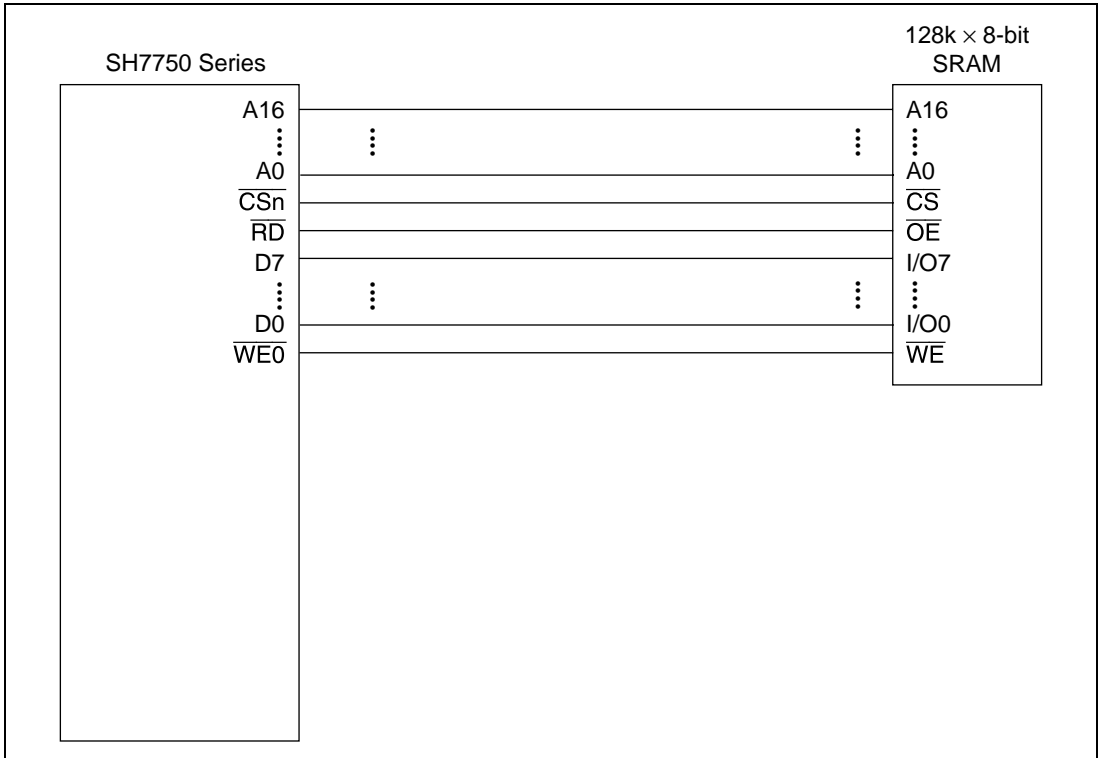
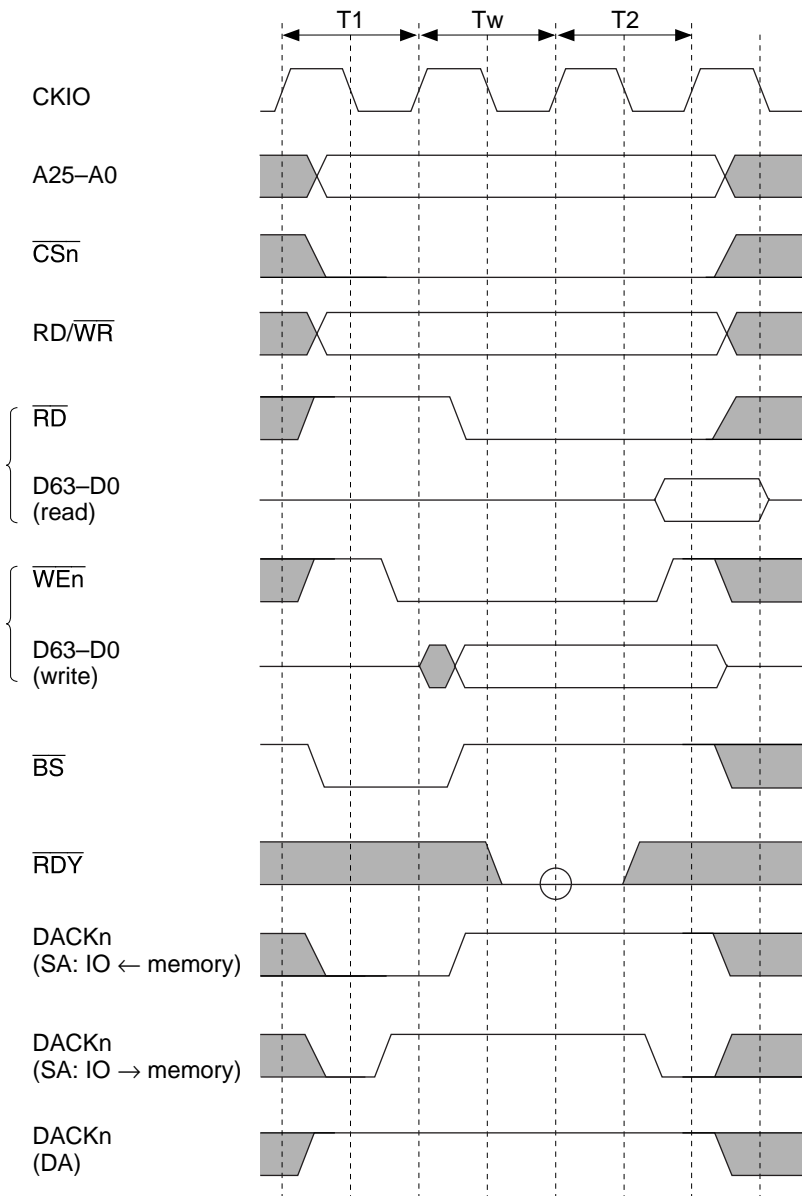


Figure 13.10 Example of 8-Bit Data Width SRAM Connection

Wait State Control: Wait state insertion on the SRAM interface can be controlled by the WCR2 settings. If the WCR2 wait specification bits corresponding to a particular area are not zero, a software wait is inserted in accordance with that specification. For details, see section 13.2.6, Wait Control Register 2 (WCR2).

The specified number of T_w cycles are inserted as wait cycles using the SRAM interface wait timing shown in figure 13.11.



Note: For DACKn, an example is shown where CHCRn.AL (access level) = 0 for the DMAC.

Figure 13.11 SRAM Interface Wait Timing (Software Wait Only)

When software wait insertion is specified by WCR2, the external wait input $\overline{\text{RDY}}$ signal is also sampled. $\overline{\text{RDY}}$ signal sampling is shown in figure 13.12. A single-cycle wait is specified as a software wait. Sampling is performed at the transition from the Tw state to the T2 state; therefore, the $\overline{\text{RDY}}$ signal has no effect if asserted in the T1 cycle or the first Tw cycle. The $\overline{\text{RDY}}$ signal is sampled on the rising edge of the clock.

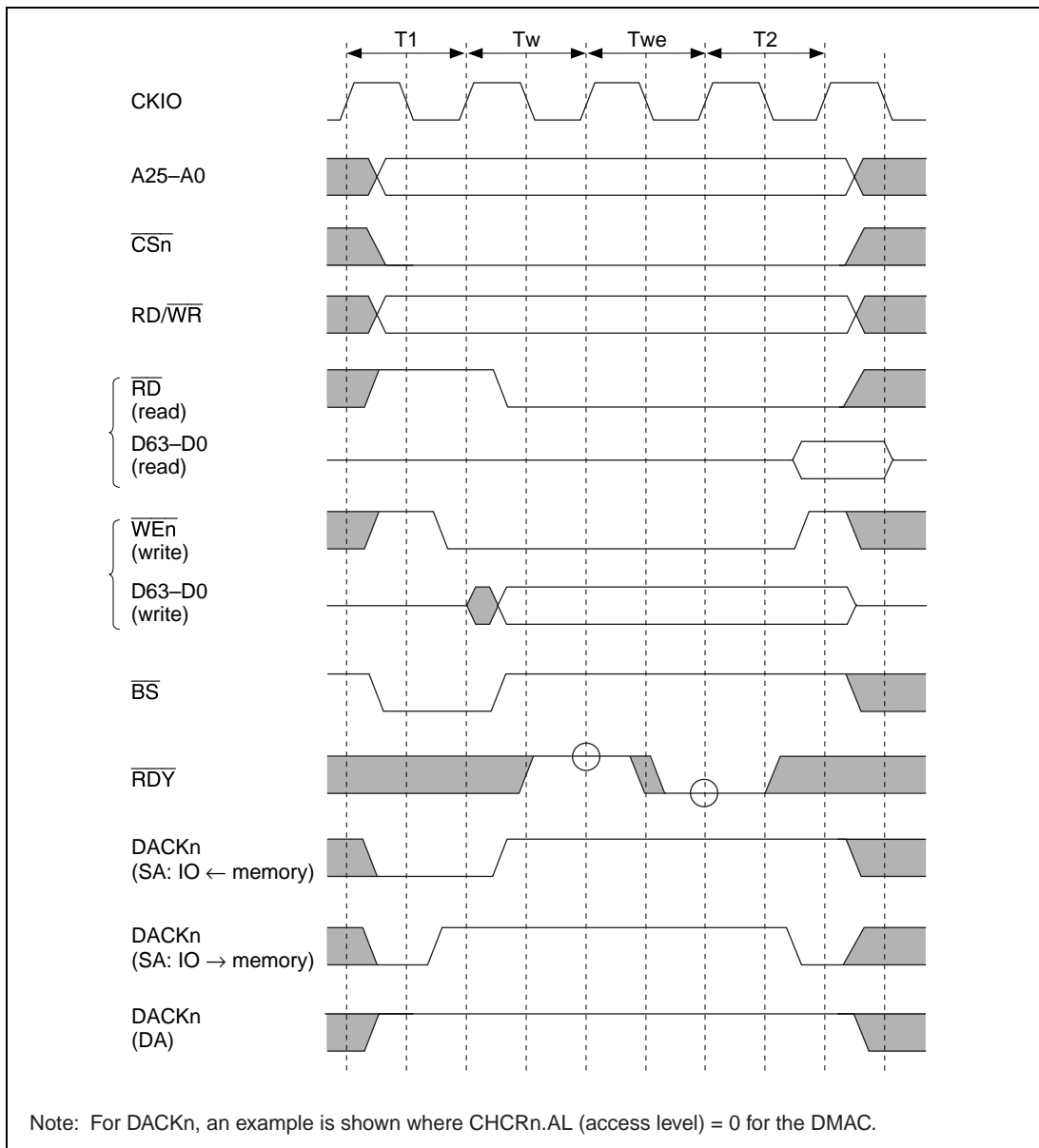


Figure 13.12 SRAM Interface Wait State Timing (Wait State Insertion by $\overline{\text{RDY}}$ Signal)

Read-Strobe Negate Timing (Setting Only Possible in the SH7750R): When the SRAM interface is used, timing for the negation of the strobe during read operations can be specified by the setting of the A1RDH and A4RDH bits of the WCR3 register. For information about this setting, see the description of the WCR3 register. When a byte control SRAM setting is made, AnRDH should be cleared to 0.

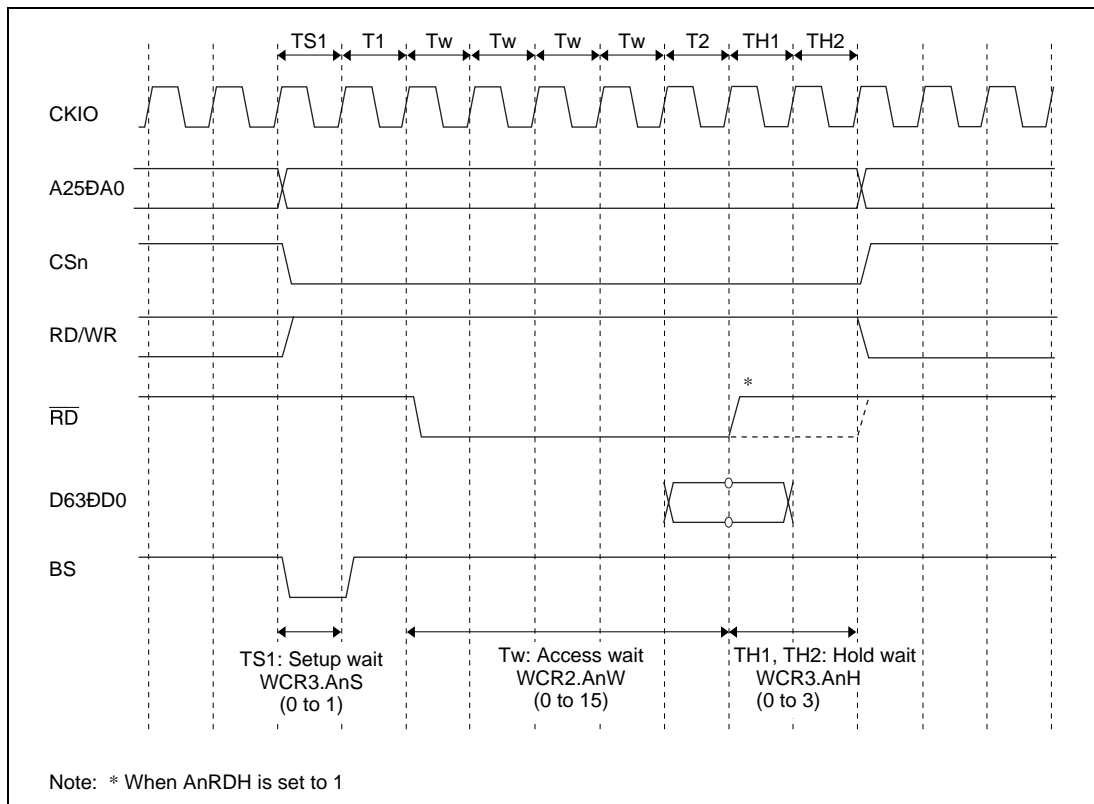


Figure 13.13 SRAM Interface Read-Strobe Negate Timing
(AnS = 1, AnW = 4, AnH = 2)

13.3.4 DRAM Interface

Direct Connection of DRAM: When the memory type bits (DRAMTP2–0) in BCR1 are set to 100, area 3 becomes DRAM space; when set to 101, area 2 and area 3 become DRAM space. The DRAM interface function can then be used to connect DRAM to the SH7750.

16, 32, or 64 bits can be selected as the interface data width for area 3 when bits DRAMTP2–0 are set to 100, and 16 or 32 bits can be used for both area 2 and area 3 when bits DRAMTP2–0 are set to 101.

2-CAS 16-bit DRAMs can be connected, since $\overline{\text{CAS}}$ is used to control byte access.

Signals used for connection when DRAM is connected to area 3 are $\overline{\text{RAS}}$, $\overline{\text{CAS0}}$ to $\overline{\text{CAS7}}$, and $\overline{\text{RD/WR}}$. $\overline{\text{CAS2}}$ to $\overline{\text{CAS7}}$ are not used when the data width is 16 bits. When DRAM is connected to areas 2 and 3, the signals for area 2 DRAM connection are $\overline{\text{RAS2}}$, $\overline{\text{CAS4}}$ to $\overline{\text{CAS7}}$, and $\overline{\text{RD/WR}}$, and those for area 3 DRAM connection are $\overline{\text{RAS}}$, $\overline{\text{CAS0}}$ to $\overline{\text{CAS3}}$, and $\overline{\text{RD/WR}}$.

In addition to normal read and write access modes, fast page mode is supported for burst access. For DRAM connected to areas 2 and 3, EDO mode, which enables the DRAM access time to be increased, is supported.

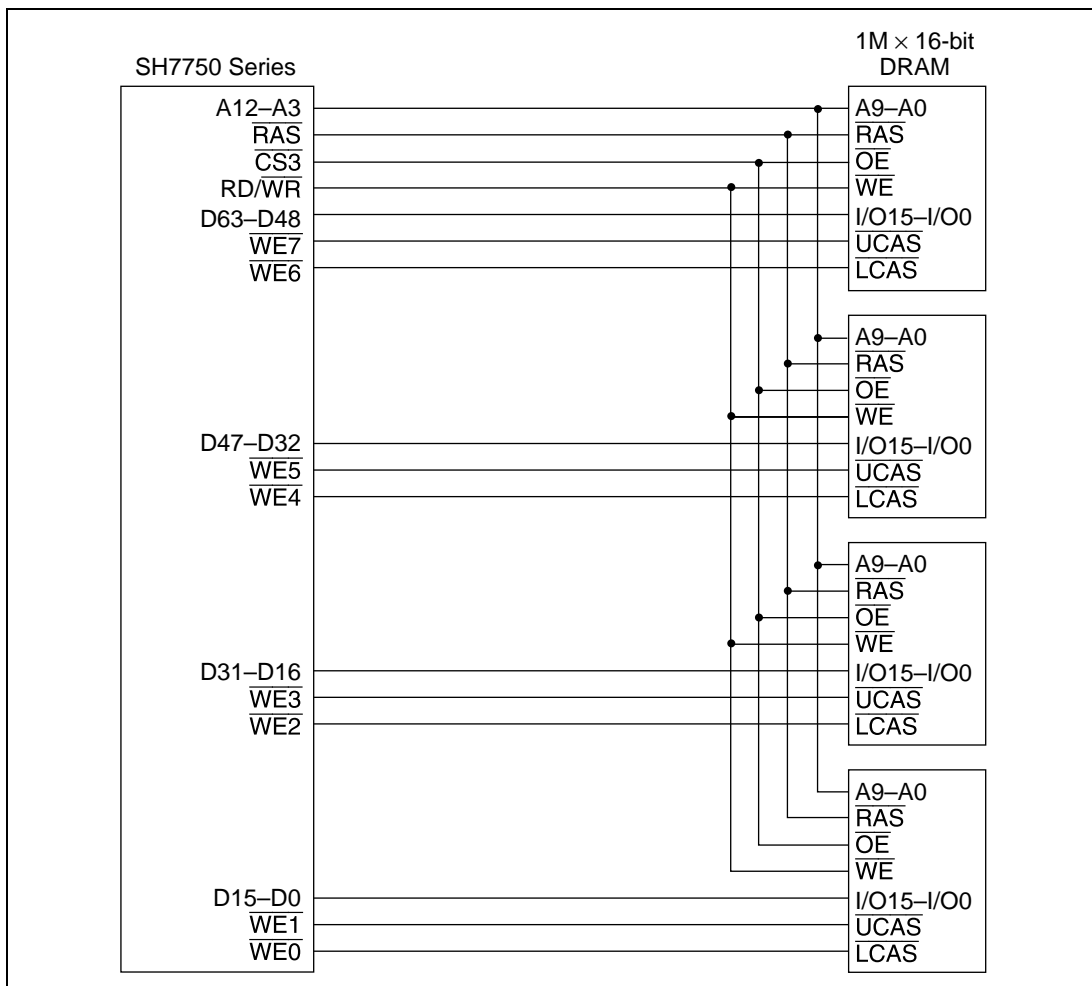


Figure 13.14 Example of DRAM Connection (64-Bit Data Width, Area 3)

SH7750 Series

256k × 16-bit
DRAM

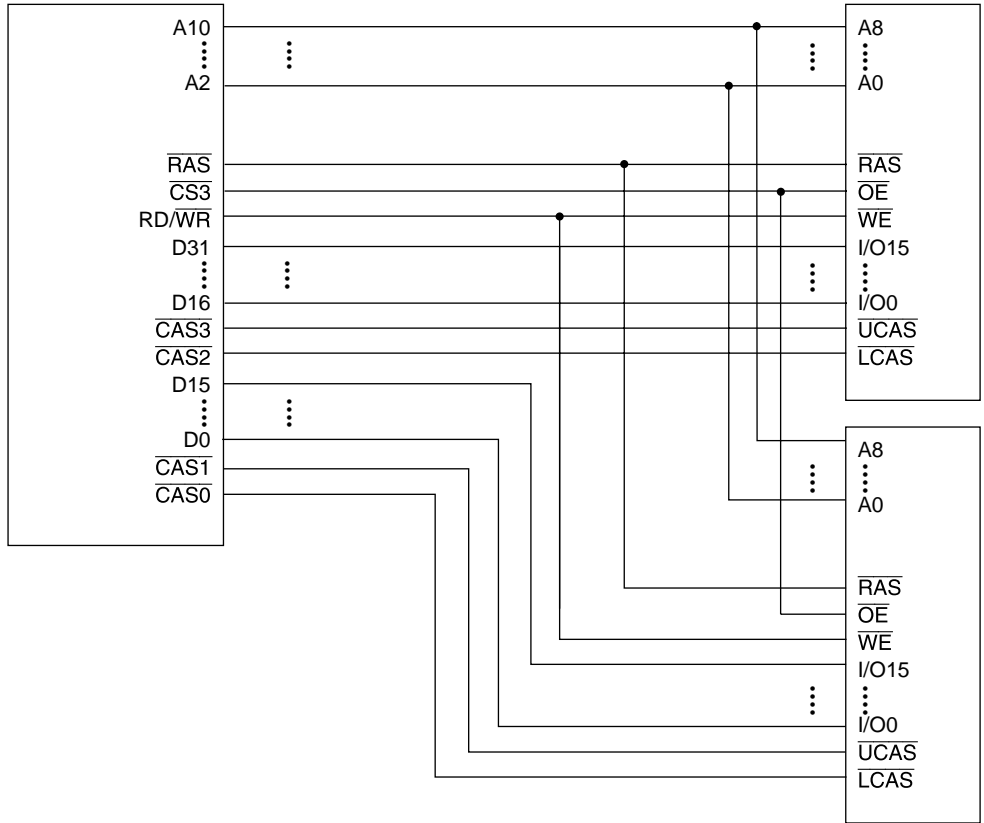


Figure 13.15 Example of DRAM Connection (32-Bit Data Width, Area 3)

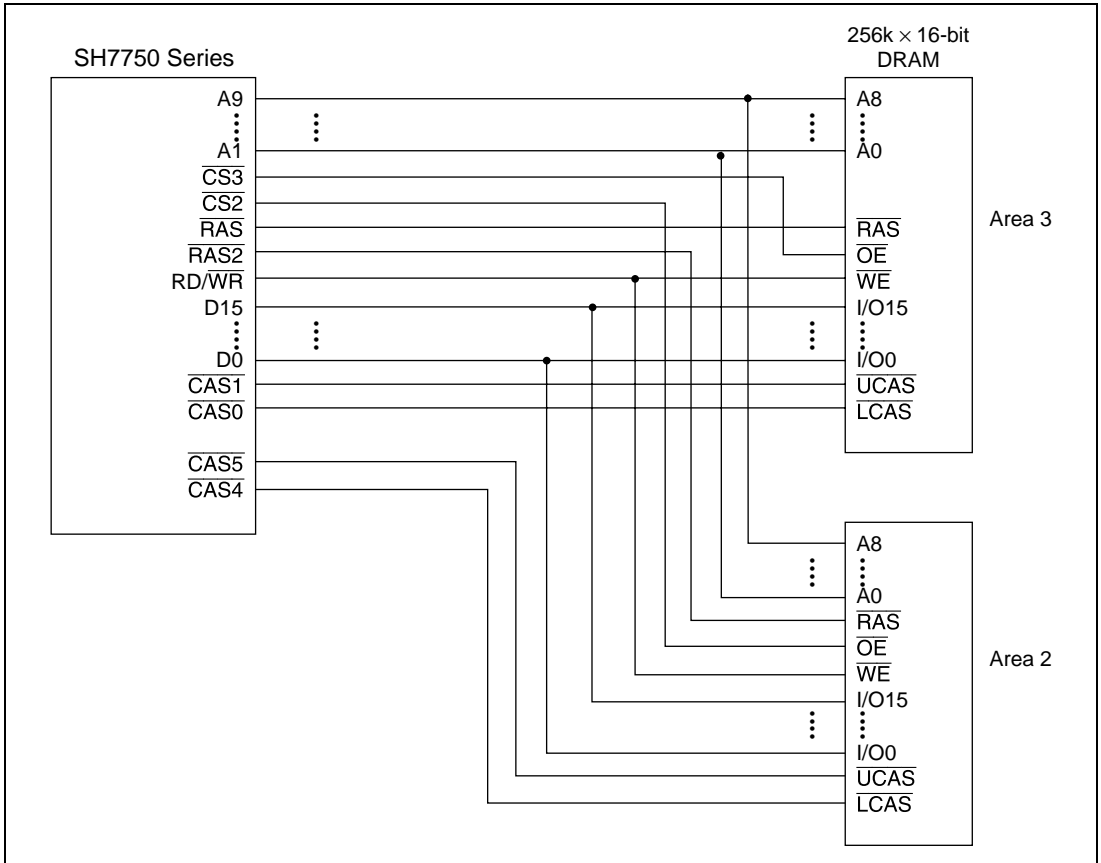


Figure 13.16 Example of DRAM Connection (16-Bit Data Width, Areas 2 and 3)

Address Multiplexing: When area 2 or area 3 is designated as DRAM space, address multiplexing is always performed in accesses to DRAM. This enables DRAM, which requires row and column address multiplexing, to be connected to the SH7750 Series without using an external address multiplexer circuit. Any of the five multiplexing methods shown below can be selected, by setting bits AMXEXT and AMX2–0 in MCR for area 2 or 3 DRAM. The relationship between the AMXEXT and AMX2–0 bits and address multiplexing is shown in table 13.15. The address output pins subject to address multiplexing are A17 to A1. The address signals output by pins A25 to A18 are undefined.

Table 13.15 Relationship between AMXEXT and AMX2–0 Bits and Address Multiplexing

Setting				Number of Column Address Bits	Output Timing	External Address Pins					
AMXEXT	AMX2	AMX1	AMX0			A1–A13	A14	A15	A16	A17	
0	0	0	0	8 bits	Column address	A1–A13	A14	A15	A16	A17	
					Row address	A9–A21	A22	A23	A24	A25	
0	0	0	1	9 bits	Column address	A1–A13	A14	A15	A16	A17	
					Row address	A10–A22	A23	A24	A25	A17	
			1	0	10 bits	Column address	A1–A13	A14	A15	A16	A17
						Row address	A11–A23	A24	A25	A16	A17
1	0	0	1	11 bits	Column address	A1–A13	A14	A15	A16	A17	
					Row address	A12–A24	A25	A15	A16	A17	
1	0	0	0	12 bits	Column address	A1–A13	A14	A15	A16	A17	
					Row address	A13–A25	A14	A15	A16	A17	
Other settings				Reserved	—	—	—	—	—	—	

Basic Timing: The basic timing for DRAM access is 4 cycles. This basic timing is shown in figure 13.17. Tpc is the precharge cycle, Tr the $\overline{\text{RAS}}$ assert cycle, Tc1 the $\overline{\text{CAS}}$ assert cycle, and Tc2 the read data latch cycle.

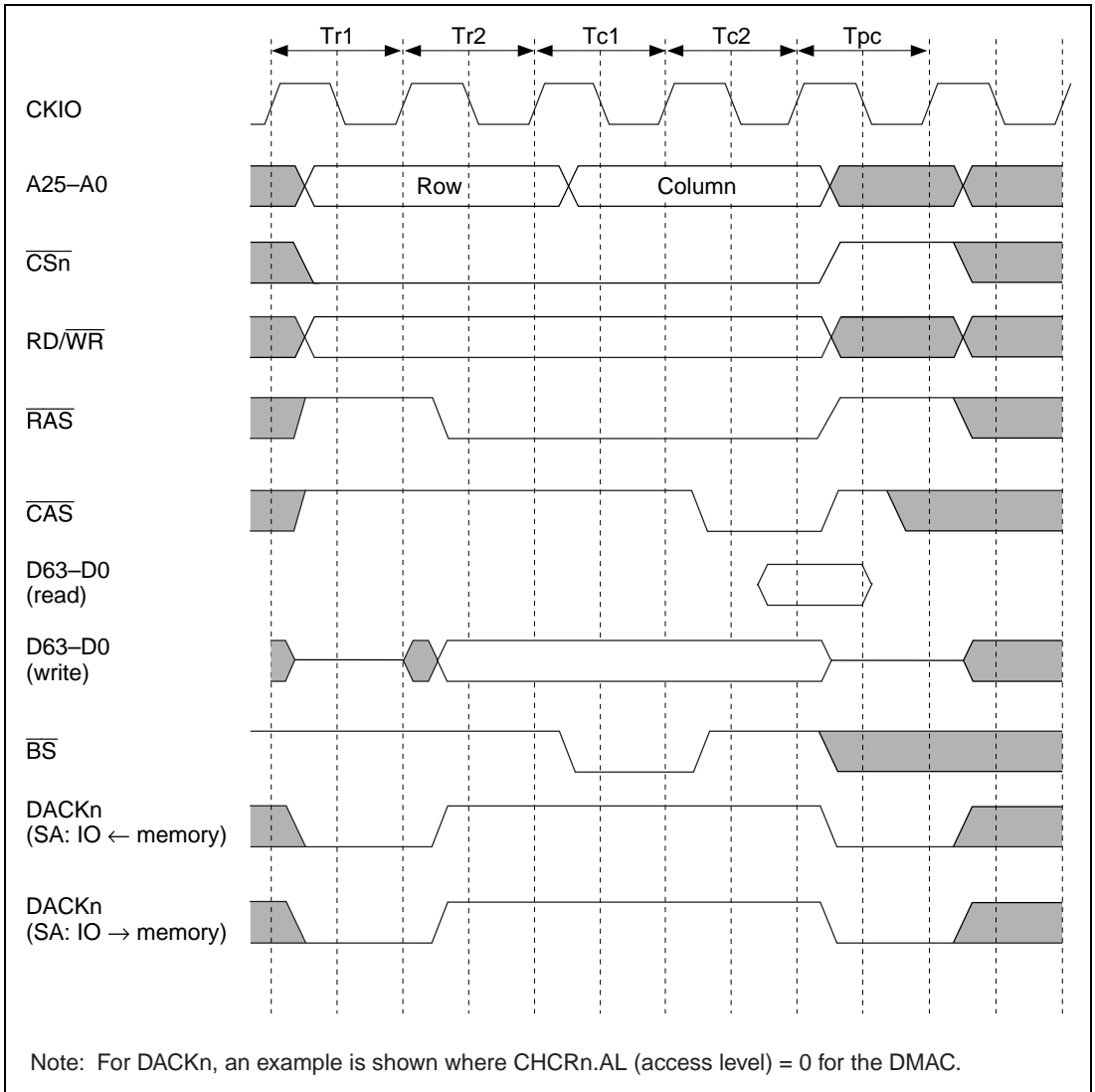


Figure 13.17 Basic DRAM Access Timing

Wait State Control: As the clock frequency increases, it becomes impossible to complete all states in one cycle as in basic access. Therefore, provision is made for state extension by using the setting bits in WCR2 and MCR. The timing with state extension using these settings is shown in figure 13.18. Additional Tpc cycles (cycles used to secure the $\overline{\text{RAS}}$ precharge time) can be inserted by means of the TPC bit in MCR, giving from 1 to 7 cycles. The number of cycles from $\overline{\text{RAS}}$ assertion to $\overline{\text{CAS}}$ assertion can be set to between 2 and 5 by inserting Trw cycles by means of the RCD bit in MCR. Also, the number of cycles from $\overline{\text{CAS}}$ assertion to the end of the access can be varied between 1 and 16 according to the setting of A2W2 to A2W0 or A3W2 to A3W0 in WCR2.

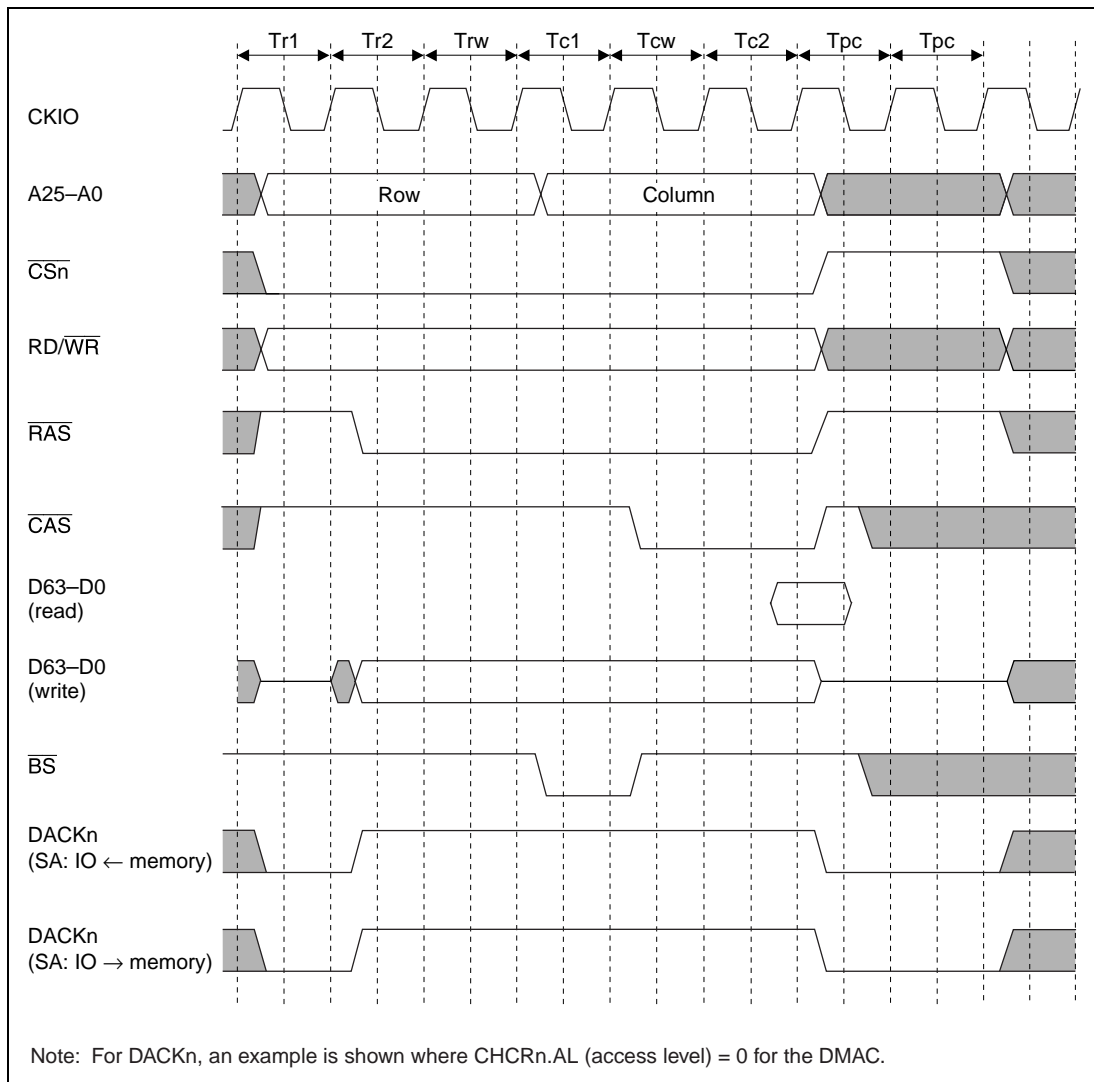


Figure 13.18 DRAM Wait State Timing

Burst Access: In addition to the normal DRAM access mode in which a row address is output in each data access, a fast page mode is also provided for the case where consecutive accesses are made to the same row. This mode allows fast access to data by outputting the row address only once, then changing only the column address for each subsequent access. Normal access or burst access using fast page mode can be selected by means of the burst enable (BE) bit in MCR. The timing for burst access using fast page mode is shown in figure 13.19.

If the access size exceeds the set bus width, burst access is performed. In a 32-byte burst transfer (cache fill), the first access comprises a longword that includes the data requiring access. The remaining accesses are performed on 32-byte boundary data that includes the relevant data. In burst transfer (cache write-back), wraparound writing is performed for 32-byte data.

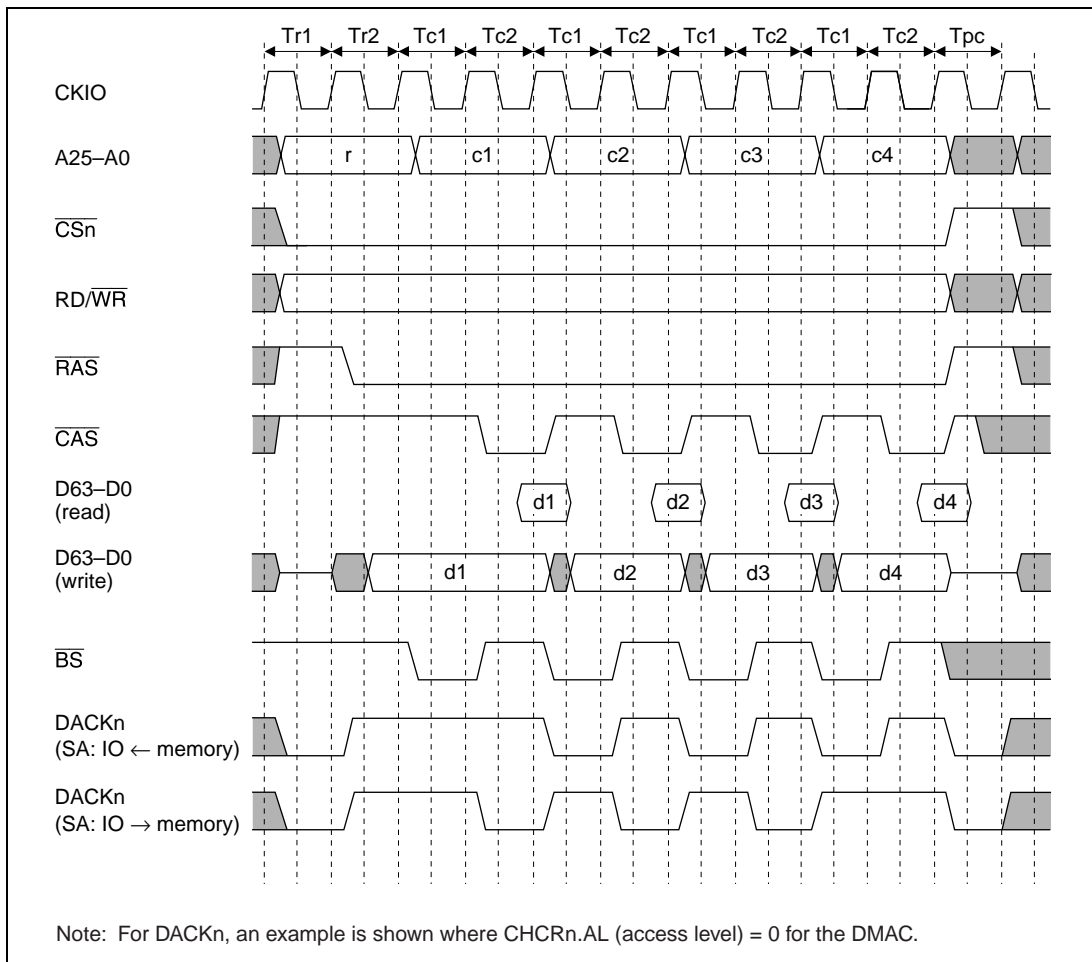


Figure 13.19 DRAM Burst Access Timing

EDO Mode: With DRAM, in addition to the mode in which data is output to the data bus only while the $\overline{\text{CAS}}$ signal is asserted in a data read cycle, an EDO (extended data out) mode is also provided in which, once the $\overline{\text{CAS}}$ signal is asserted while the $\overline{\text{RAS}}$ signal is asserted, even if the $\overline{\text{CAS}}$ signal is negated, data is output to the data bus until the $\overline{\text{CAS}}$ signal is next asserted. In the SH7750, the EDO mode bit (EDOMODE) in MCR enables either normal access/burst access using fast page mode, or EDO mode normal access/burst access, to be selected for DRAM. When EDO mode is set, BE must be set to 1 in MCR. EDO mode normal access is shown in figure 13.20, and burst access in figure 13.21.

CAS Negation Period: The CAS negation period can be set to 1 or 2 by means of the TCAS bit in the MCR register.

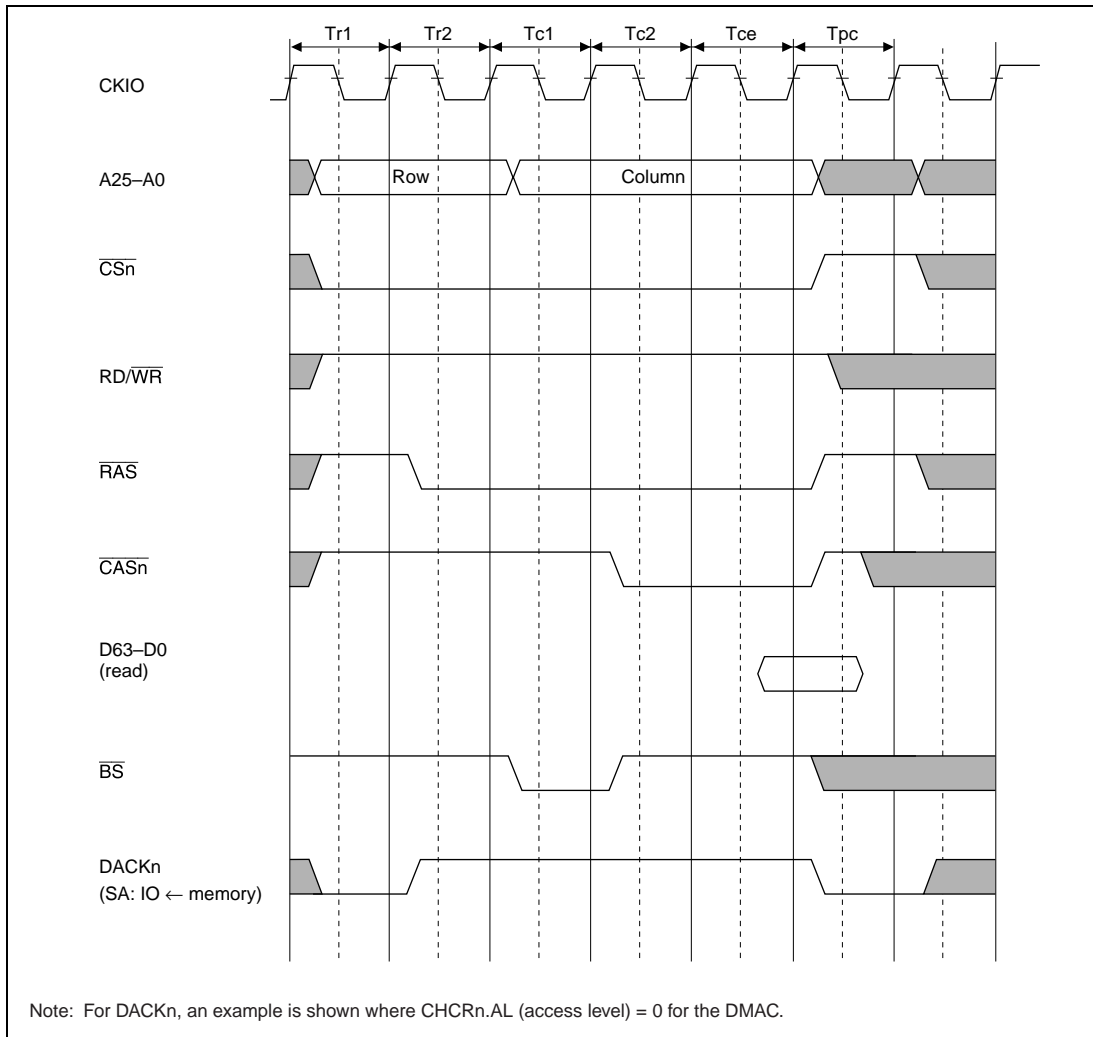


Figure 13.20 DRAM Bus Cycle (EDO Mode, RCD = 0, AnW = 0, TPC = 1)

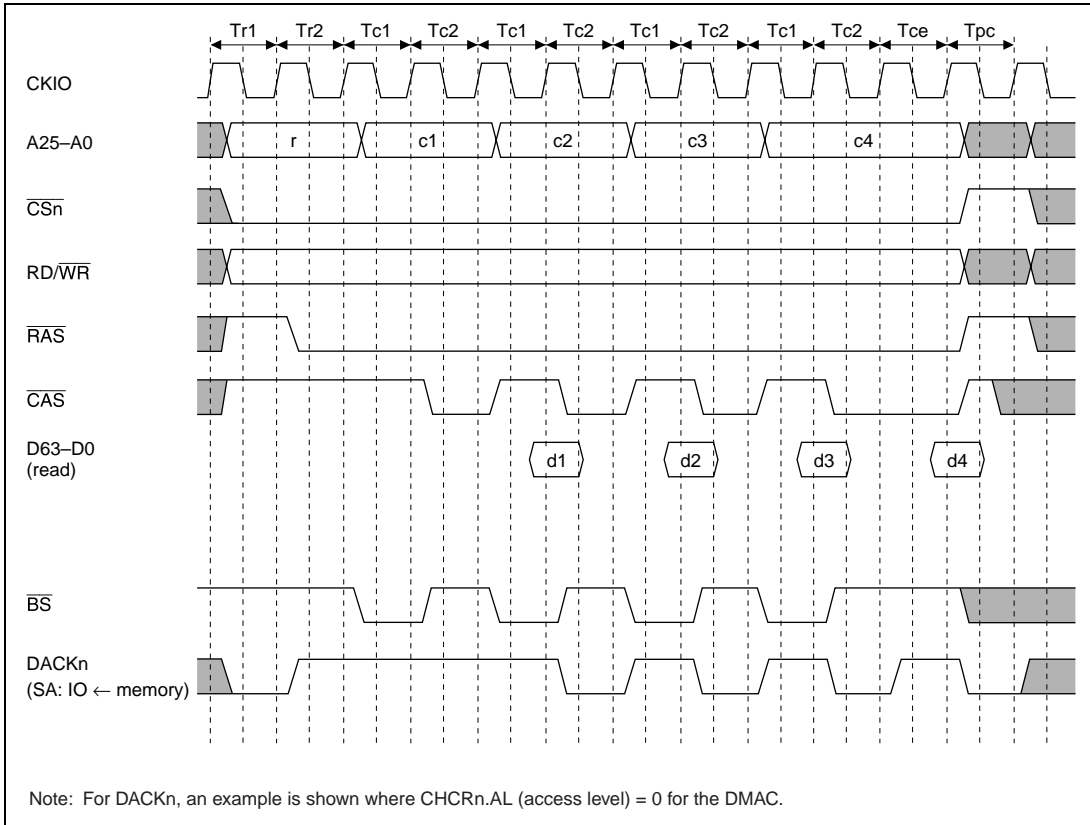
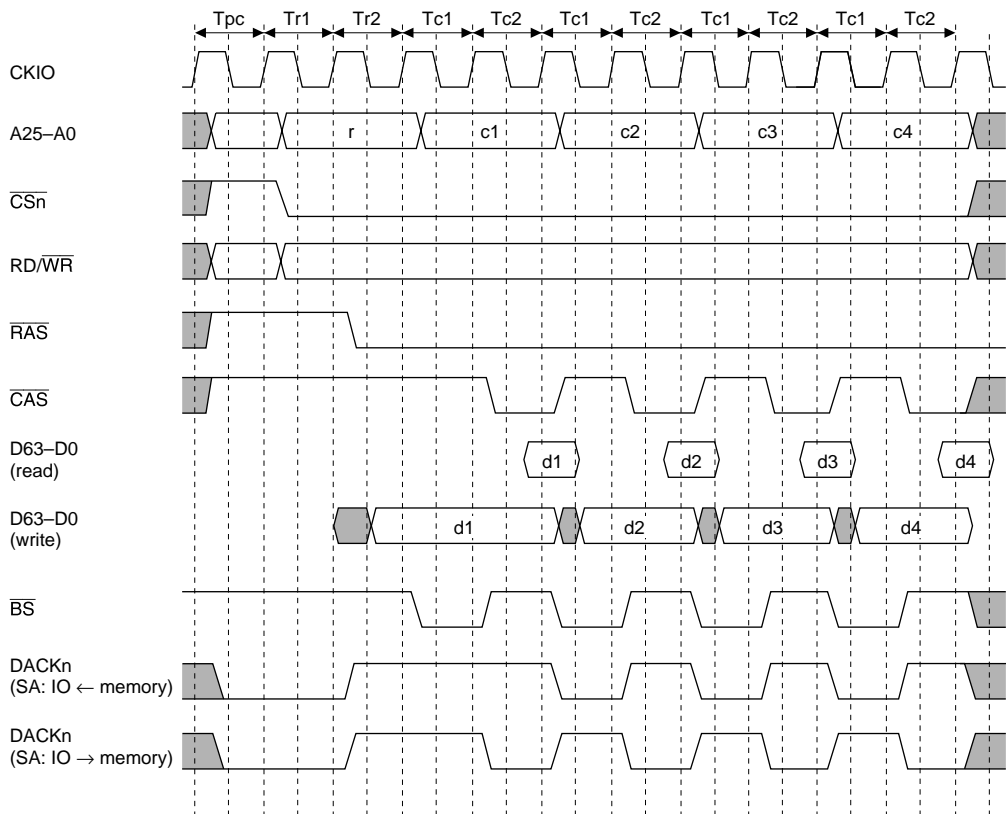


Figure 13.21 Burst Access Timing in DRAM EDO Mode

RAS Down Mode: The SH7750 Series has an address comparator for detecting row address matches in burst mode. By using this address comparator, and also setting RAS down mode specification bit RASD to 1, it is possible to select RAS down mode, in which RAS remains asserted after the end of an access. When RAS down mode is used, if the refresh cycle is longer than the maximum DRAM $\overline{\text{RAS}}$ assert time, the refresh cycle must be decreased to or below the maximum value of t_{RAS} .

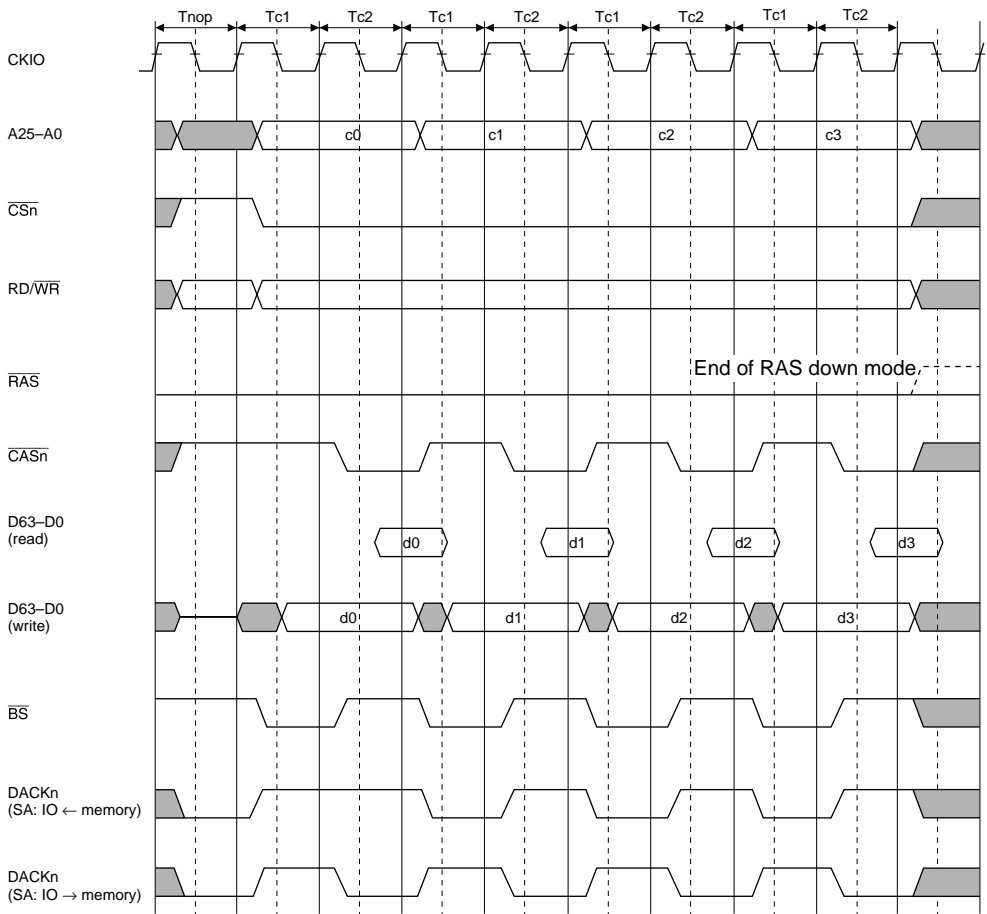
RAS down mode can only be used when DRAM is connected in area 3.

In RAS down mode, in the event of an access to an address with a different row address, an access to a different area, a refresh request, or a bus request, $\overline{\text{RAS}}$ is negated and the necessary operation is performed. When DRAM access is resumed after this, since this is the start of RAS down mode, the operation starts with row address output. Timing charts are shown in figures 13.22 (1), (2), (3), and (4).



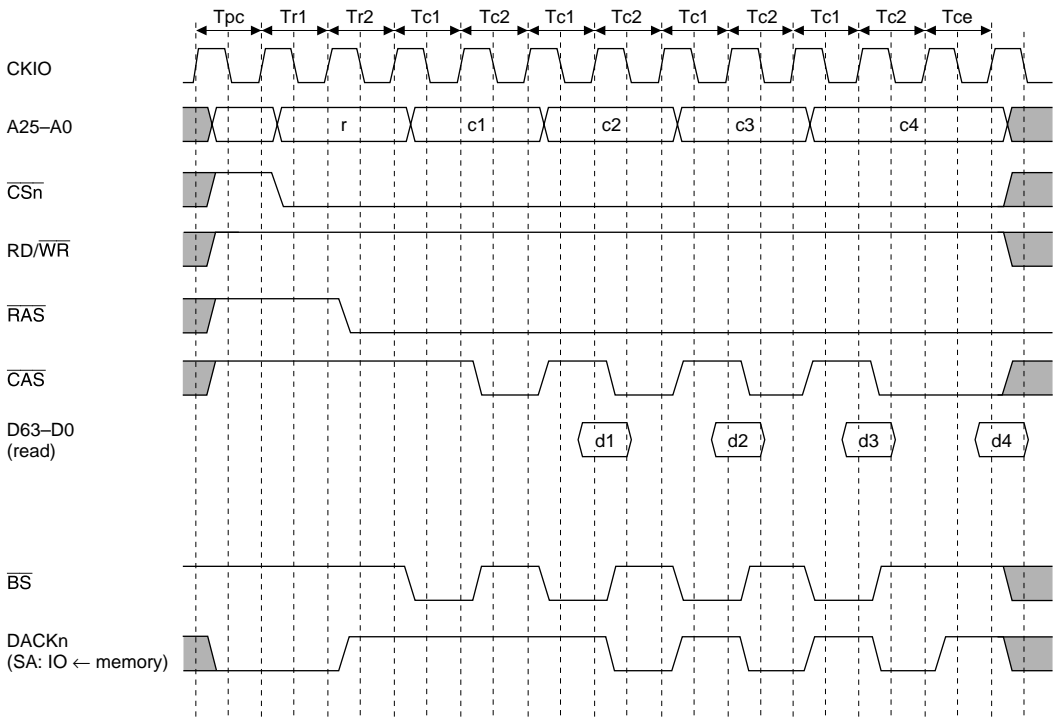
Note: For DACKn, an example is shown where $CHCRn.AL$ (access level) = 0 for the DMAC.

**Figure 13.22 (1) DRAM Burst Bus Cycle, RAS Down Mode Start
(Fast Page Mode, RCD = 0, AnW = 0)**



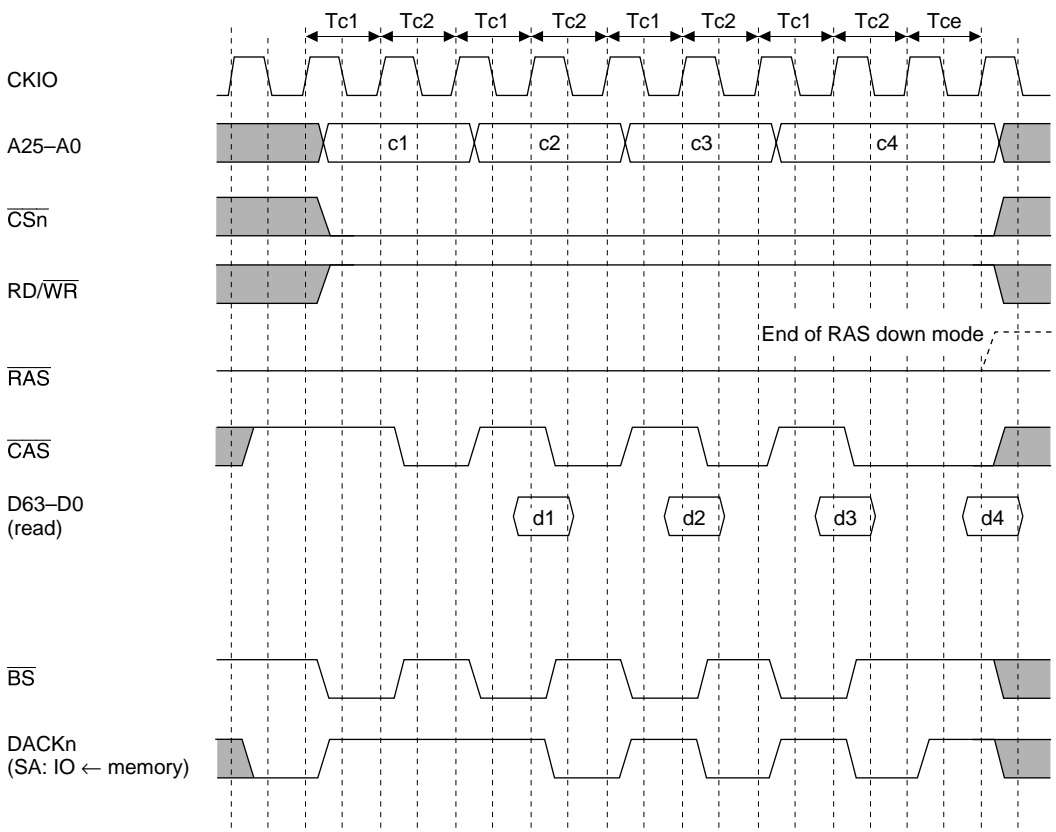
Note: For DACKn, an example is shown where CHCRn.AL (access level) = 0 for the DMAC.

**Figure 13.22 (2) DRAM Burst Bus Cycle, RAS Down Mode Continuation
(Fast Page Mode, RCD = 0, AnW = 0)**



Note: For DACKn, an example is shown where CHCRn.AL (access level) = 0 for the DMAC.

**Figure 13.22 (3) DRAM Burst Bus Cycle, RAS Down Mode Start
(EDO Mode, RCD = 0, AnW = 0)**



Note: For DACKn, an example is shown where $CHCR_n.AL$ (access level) = 0 for the DMAC.

**Figure 13.22 (4) DRAM Burst Bus Cycle, RAS Down Mode Continuation
(EDO Mode, RCD = 0, AnW = 0)**

Refresh Timing: The bus state controller includes a function for controlling DRAM refreshing. Distributed refreshing using a CAS-before-RAS cycle can be performed for DRAM by clearing the RMODE bit to 0 and setting the RFSH bit to 1 in MCR. Self-refresh mode is also supported.

- CAS-before-RAS Refresh

When CAS-before-RAS refresh cycles are executed, refreshing is performed at intervals determined by the input clock selected by bits CKS2–CKS0 in RTCSR, and the value set in RTCOR. The value of bits CKS2–CKS0 in RTCOR should be set so as to satisfy the specification for the DRAM refresh interval. First make the settings for RTCOR, RTCNT, and the RMODE and RFSH bits in MCR, then make the CKS2–CKS0 setting. When the clock is selected by CKS2–CKS0, RTCNT starts counting up from the value at that time. The RTCNT value is constantly compared with the RTCOR value, and if the two values are the same, a refresh request is generated and the $\overline{\text{BACK}}$ pin goes high. If the SH7750 Series' external bus can be used, CAS-before-RAS refreshing is performed. At the same time, RTCNT is cleared to zero and the count-up is restarted. Figure 13.23 shows the operation of CAS-before-RAS refreshing.

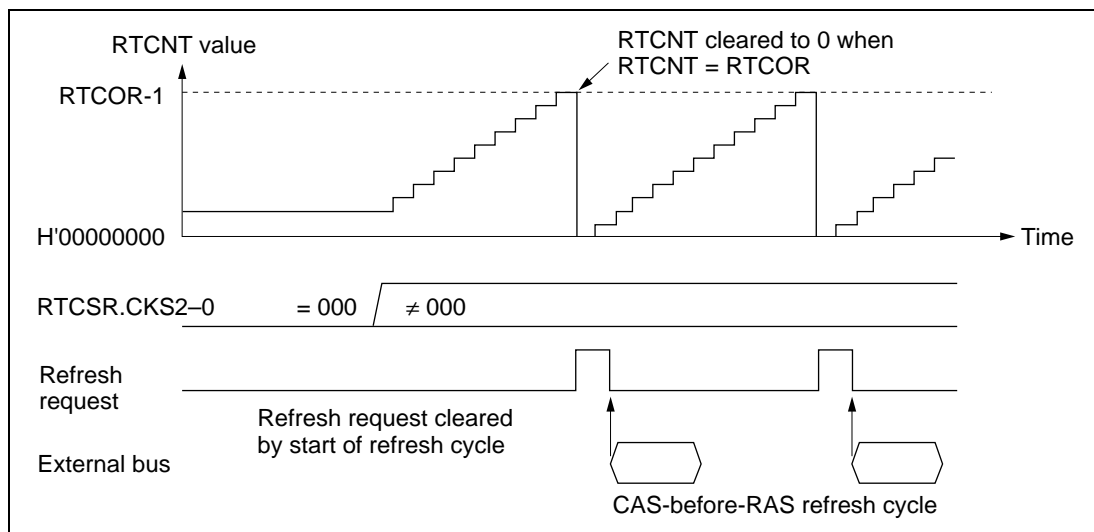


Figure 13.23 CAS-Before-RAS Refresh Operation

Figure 13.24 shows the timing of the CAS-before-RAS refresh cycle.

The number of RAS assert cycles in the refresh cycle is specified by bits TRAS2–TRAS0 in MCR. The specification of the RAS precharge time in the refresh cycle is determined by the setting of bits TRC2–TRC0 in MCR.

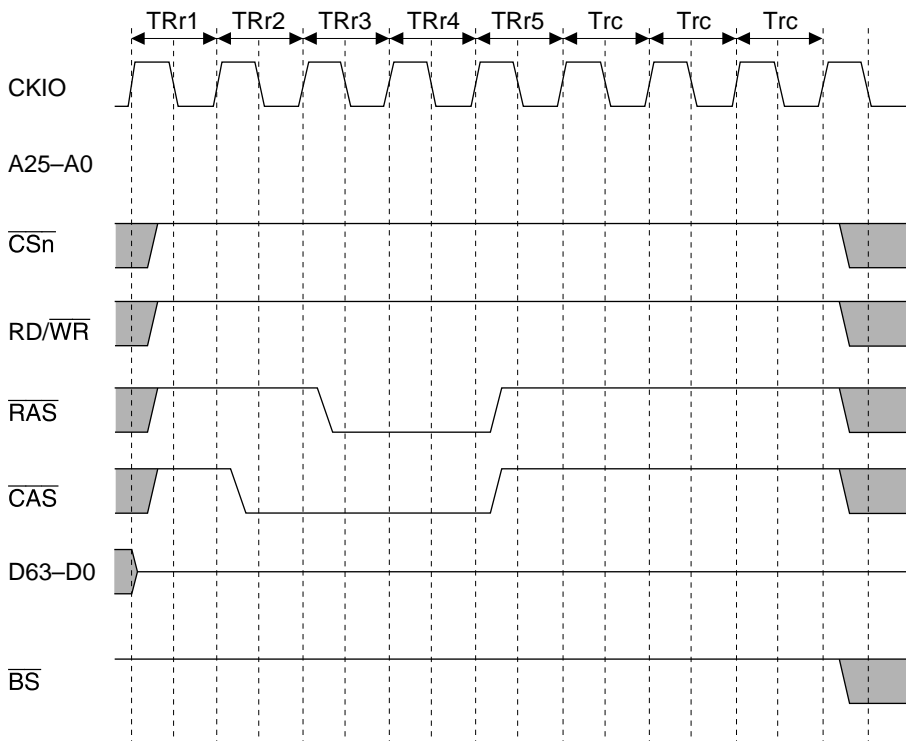


Figure 13.24 DRAM CAS-Before-RAS Refresh Cycle Timing (TRAS = 0, TRC = 1)

- Self-Refresh

The self-refreshing supported by the SH7750 Series is shown in figure 13.25.

After the self-refresh is cleared, the refresh controller immediately generates a refresh request. The RAS precharge time immediately after the end of the self-refreshing can be set by bits TRC2–TRC0 in MCR.

DRAMs include low-power products (L versions) with a long refresh cycle time (for example, the HM51W4160AL L version has a refresh cycle of 1024 cycles/128 ms compared with 1024 cycles/16 ms for the normal version). With these DRAMs, however, the same refresh cycle as for the normal version is requested only in the case of refreshing immediately following self-refreshing. To ensure efficient DRAM refreshing, therefore, processing is needed to generate an overflow interrupt and restore the refresh cycle to the proper value, after the necessary CAS-before-RAS refreshing has been performed following self-refreshing of an L-version DRAM, using the OVF, OVIE, and LMTS bits in RTCSR and the refresh controller's refresh count register (RFCR). The necessary procedure is as follows.

1. Normally, set the refresh counter count cycle to the optimum value for the L version (e.g. 1024 cycles/128 ms).
2. When a transition is made to self-refreshing:
 - a. Provide an interrupt handler to restore the refresh counter count value to the optimum value for the L version (e.g. 1024 cycles/128 ms) when a refresh counter overflow interrupt is generated.
 - b. Re-set the refresh counter count cycle to the requested short cycle (e.g. 1024 cycles/16 ms), set refresh controller overflow interruption, and clear the refresh controller's refresh count register (RFCR) to 0.
 - c. Set self-refresh mode.

By using this procedure, the refreshing immediately following a self-refresh will be performed in a short cycle, and when adequate refreshing ends, an interrupt is generated and the setting can be restored to the original refresh cycle.

CAS-before-RAS refreshing is performed in normal operation, in sleep mode, and in the case of a manual reset.

Self-refreshing is performed in normal operation, in sleep mode, in standby mode, and in the case of a manual reset.

When the bus has been released in response to a bus arbitration request, or when a transition is made to standby mode, signals generally become high-impedance, but whether the $\overline{\text{RAS}}$ and $\overline{\text{CAS}}$ signals become high-impedance or continue to be output can be controlled by the HIZCNT bit in BCR1. This enables the DRAM to be kept in the self-refreshing state.

As the DRAM $\overline{\text{CAS}}$ signal is multiplexed with $\overline{\text{WEn}}$ for normal memory (SRAM, etc.), access to memory that uses the $\overline{\text{WEn}}$ signals must be disabled during self-refreshing.

- Relationship between Refresh Requests and Bus Cycle Requests

If a refresh request is generated during execution of a bus cycle, execution of the refresh is deferred until the bus cycle is completed. Refresh operations are deferred during multiple bus cycles generated because the data bus width is smaller than the access size (for example, when performing longword access to 8-bit bus width memory) and during a 32-byte transfer such as a cache fill or write-back, and also between read and write cycles during execution of a TAS instruction, and between read and write cycles when DMAC dual address transfer is executed. If a refresh request occurs when the bus has been released by the bus arbiter, refresh execution is deferred until the bus is acquired. If a match between RTCNT and RTCOR occurs while a refresh is waiting to be executed, so that a new refresh request is generated, the previous refresh request is eliminated. In order for refreshing to be performed normally, care must be taken to ensure that no bus cycle or bus mastership occurs that is longer than the refresh interval. When a refresh request is generated, the $\overline{\text{BACK}}$ pin is negated (driven high). Therefore, normal refreshing can be performed by having the $\overline{\text{BACK}}$ pin monitored by a bus

master other than the SH7750 Series requesting the bus, or the bus arbiter, and returning the bus to the SH7750 Series.

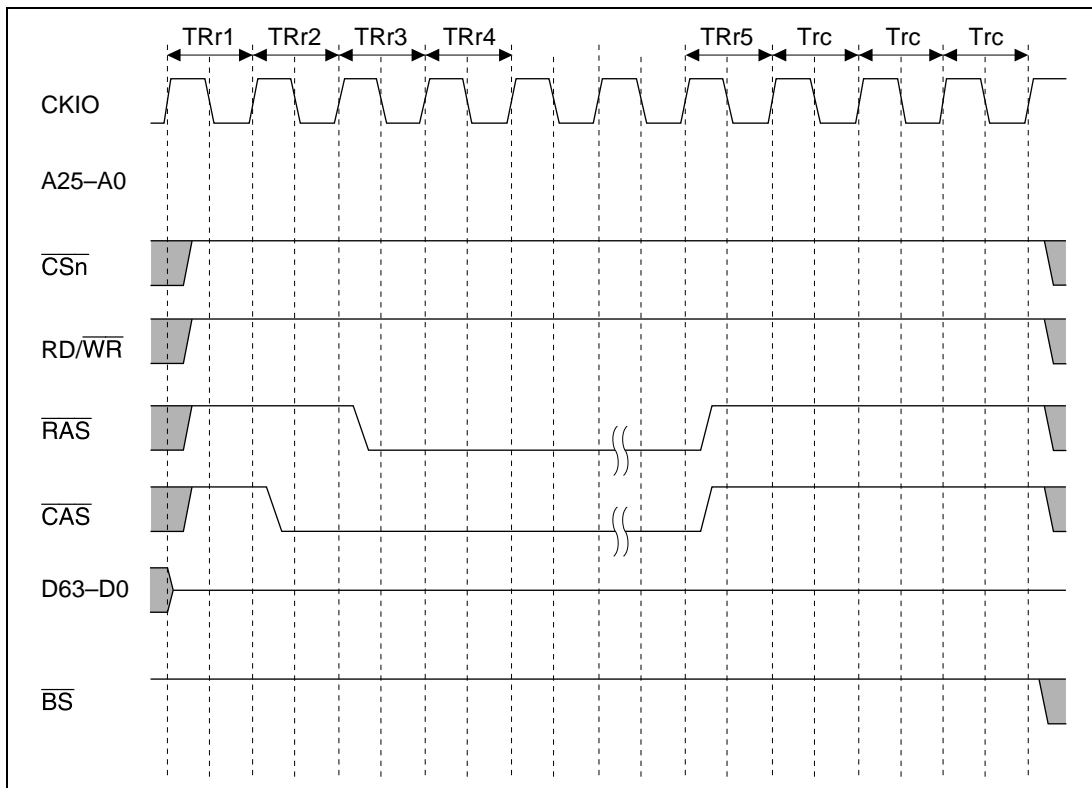


Figure 13.25 DRAM Self-Refresh Cycle Timing

Power-On Sequence: Regarding use of DRAM after powering on, it is requested that a wait time (at least 100 μ s or 200 μ s) during which no access can be performed be provided, followed by at least the prescribed number (usually 8) of dummy CAS-before-RAS refresh cycles. As the bus state controller does not perform any special operations for a power-on reset, the necessary power-on sequence must be carried out by the initialization program executed after a power-on reset.

13.3.5 Synchronous DRAM Interface

Connection of Synchronous DRAM: Since synchronous DRAM can be selected by the \overline{CS} signal, it can be connected to physical space areas 2 and 3 using \overline{RAS} and other control signals in common. If the memory type bits (DRAMTP2–0) in BCR1 are set to 010, area 2 is normal memory space and area 3 is synchronous DRAM space; if set to 011, areas 2 and 3 are both synchronous DRAM space.

With the SH7750 Series, burst read/burst write mode is supported as the synchronous DRAM operating mode. The data bus width is 32 or 64 bits, and the SZ size bits in MCR must be set to 00 or 11. The burst enable bit (BE) in MCR is ignored, a 32-byte burst transfer is performed in a cache fill/copy-back cycle, and in a write-through area write or a non-cacheable area read/write, 32-byte data is read even in a single read in order to access synchronous DRAM with a burst read/write access. 32-byte data transfer is also performed in a single write, but DQMn is not asserted when unnecessary data is transferred. For details on the burst length, see section 13.2.10, Synchronous DRAM Module Register (SDMR), and Power-On Sequence in section 13.3.5, Synchronous DRAM Interface. For changing the burst length (a function only available in the SH7750R) for a 32-bit bus, see Notes on Changing the Burst Length (SH7750R Only) in section 13.3.5, Synchronous DRAM Interface.

The control signals for connection of synchronous DRAM are \overline{RAS} , \overline{CAS} , $\overline{RD}/\overline{WR}$, $\overline{CS2}$ or $\overline{CS3}$, DQM0 to DQM7, and CKE. All the signals other than $\overline{CS2}$ and $\overline{CS3}$ are common to all areas, and signals other than CKE are valid and latched only when $\overline{CS2}$ or $\overline{CS3}$ is asserted. Synchronous DRAM can therefore be connected in parallel to a number of areas. CKE is negated (driven low) when the frequency is changed, when the clock is unstable after the clock supply is stopped and restarted, or when self-refreshing is performed, and is always asserted (high) at other times.

Commands for synchronous DRAM are specified by \overline{RAS} , \overline{CAS} , $\overline{RD}/\overline{WR}$, and specific address signals. The commands are NOP, auto-refresh (REF), self-refresh (SELF), precharge all banks (PALL), precharge specified bank (PRE), row address strobe bank active (ACTV), read (READ), read with precharge (READA), write (WRIT), write with precharge (WRITA), and mode register setting (MRS).

Byte specification is performed by DQM0 to DQM7. A read/write is performed for the byte for which the corresponding DQM signal is low. When the bus width is 64 bits, in big-endian mode DQM7 specifies an access to address $8n$, and DQM0 specifies an access to address $8n + 7$. In little-endian mode, DQM7 specifies an access to address $8n + 7$, and DQM0 specifies an access to address $8n$.

Figures 13.26 and 13.27 show examples of the connection of $16M \times 16$ -bit synchronous DRAMs.

SH7750 Series

512k × 16-bit × 2-bank
synchronous DRAM

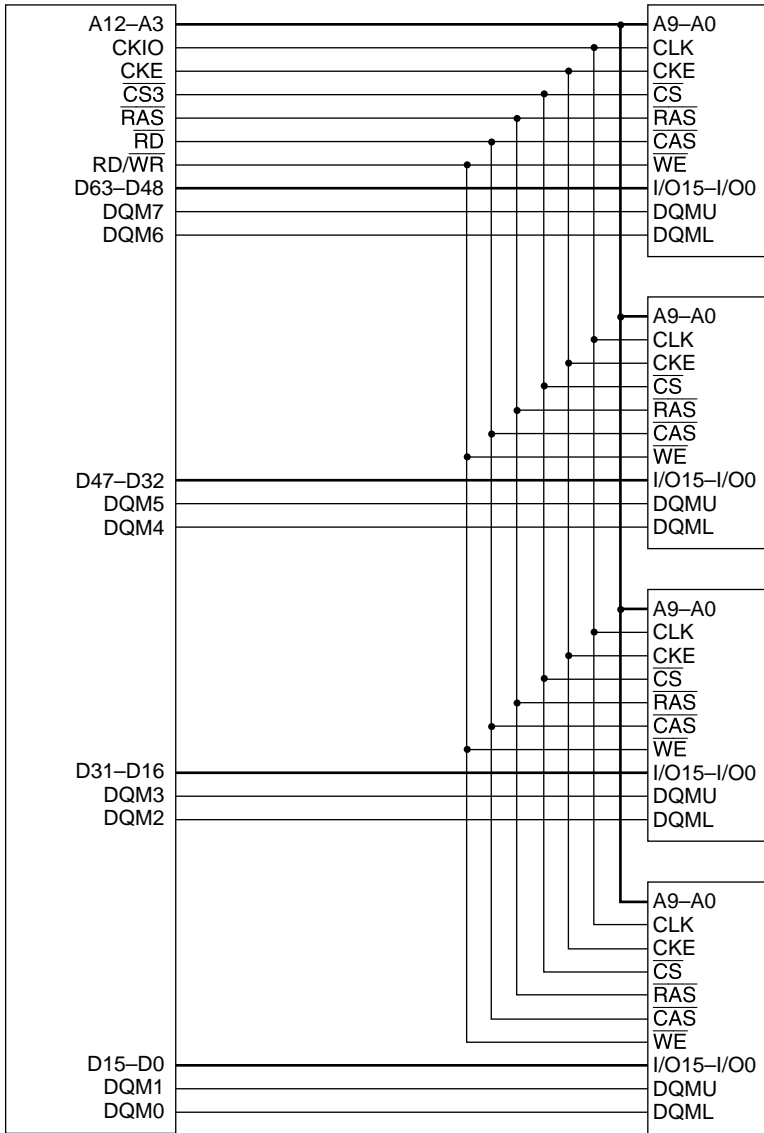


Figure 13.26 Example of 64-Bit Data Width Synchronous DRAM Connection (Area 3)

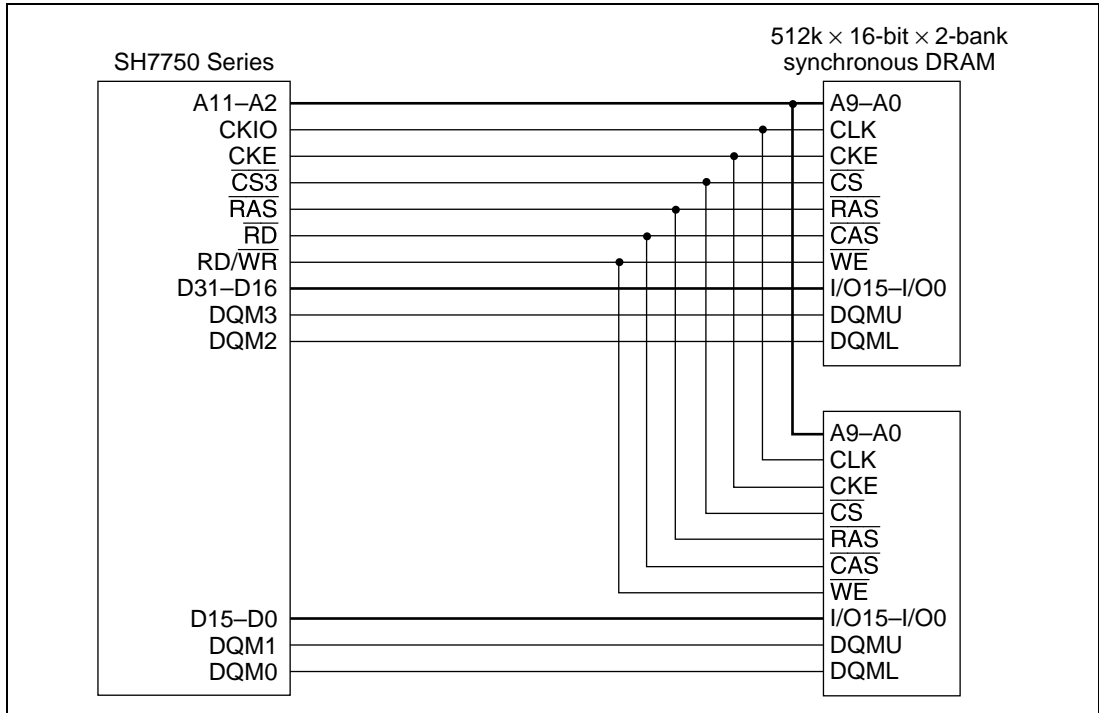


Figure 13.27 Example of 32-Bit Data Width Synchronous DRAM Connection (Area 3)

Address Multiplexing: Synchronous DRAM can be connected without external multiplexing circuitry in accordance with the address multiplex specification bits AMXEXT and AMX2–AMX0 in MCR. Table 13.16 shows the relationship between the address multiplex specification bits and the bits output at the address pins. See Appendix F, Synchronous DRAM Address Multiplexing Tables.

Address pin output at A25–A18, A1, and A0 are undefined.

When A0, the LSB of the synchronous DRAM address, is connected to the SH7750 Series, with a 32-bit bus width it makes a longword address specification. Connection should therefore be made in this order: connect pin A0 of the synchronous DRAM to pin A2 of the SH7750, then connect pin A1 to pin A3.

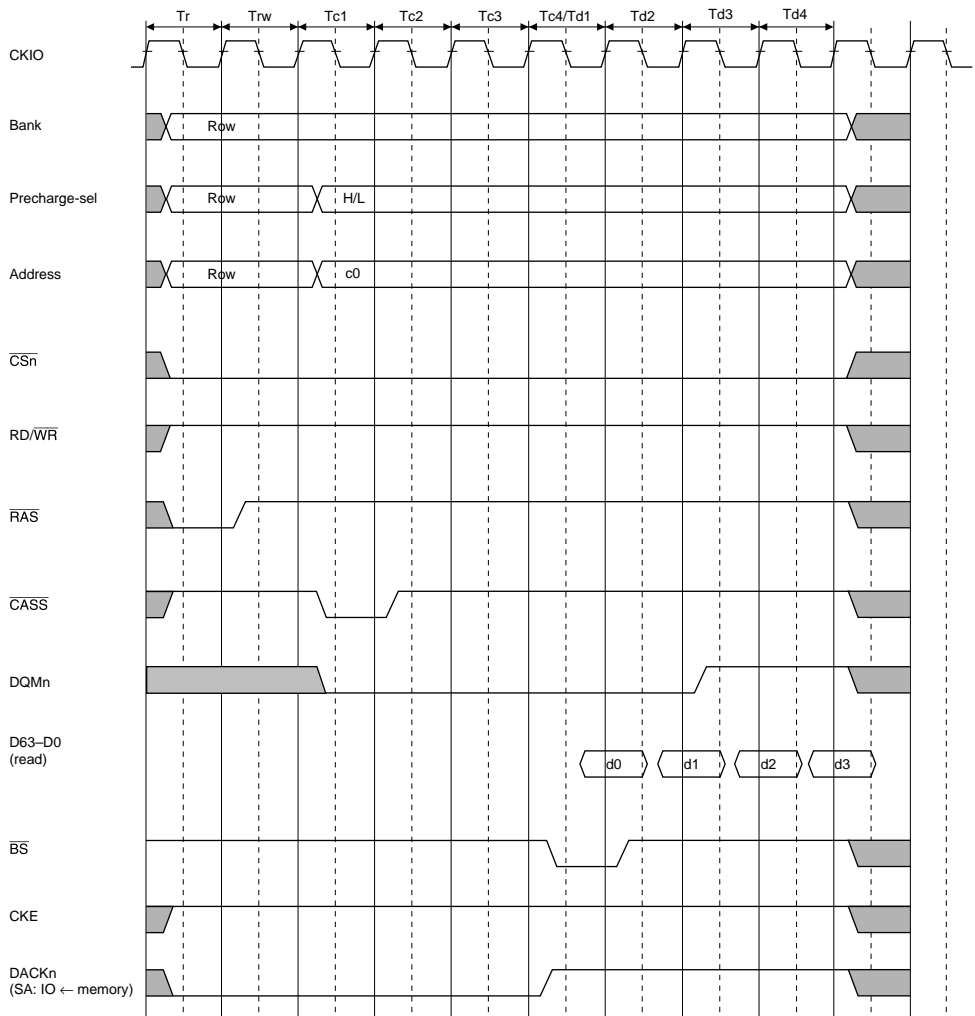
With a 64-bit bus width, the LSB makes a quadword address specification. Connection should therefore be made in this order: connect pin A0 of the synchronous DRAM to pin A3 of the SH7750, then connect pin A1 to pin A4.

Table 13.16 Example of Correspondence between SH7750 Series and Synchronous DRAM Address Pins (64-Bit Bus Width, AMX2–AMX0 = 011, AMXEXT = 0)

SH7750 Series Address Pin			Synchronous DRAM Address Pin	
	RAS Cycle	CAS Cycle		Function
A14	A22	A22	A11	BANK select bank address
A13	A21	H/L	A10	Address precharge setting
A12	A20	0	A9	
A11	A19	0	A8	
A10	A18	A10	A7	
A9	A17	A9	A6	
A8	A16	A8	A5	
A7	A15	A7	A4	
A6	A14	A6	A3	
A5	A13	A5	A2	
A4	A12	A4	A1	
A3	A11	A3	A0	
A2	—	A2	Not used	
A1	—	A1	Not used	
A0	—	A0	Not used	

Burst Read: The timing chart for a burst read is shown in figure 13.28. In the following example it is assumed that four 512k × 16-bit × 2-bank synchronous DRAMs are connected, and a 64-bit data width is used. The burst length is 4. Following the Tr cycle in which ACTV command output is performed, a READA command is issued in the Tc1 cycle, and the read data is accepted on the rising edge of the external command clock (CKIO) from cycle Td1 to cycle Td4. The Tpc cycle is used to wait for completion of auto-precharge based on the READA command inside the synchronous DRAM; no new access command can be issued to the same bank during this cycle. In the SH7750 Series, the number of Tpc cycles is determined by the specification of bits TPC2–TPC0 in MCR, and commands are not issued for synchronous DRAM during this interval.

The example in figure 13.28 shows the basic cycle. To connect slower synchronous DRAM, the cycle can be extended by setting WCR2 and MCR bits. The number of cycles from the ACTV command output cycle, Tr, to the READA command output cycle, Tc1, can be specified by bits RCD1 and RCD0 in MCR, with a value of 0 to 3 specifying 2 to 4 cycles, respectively. In the case of 2 or more cycles, a Trw cycle, in which an NOP command is issued for the synchronous DRAM, is inserted between the Tr cycle and the Tc cycle. The number of cycles from READA command output cycle Tc1 to the first read data latch cycle, Td1, can be specified as 1 to 5 cycles independently for areas 2 and 3 by means of bits A2W2–A2W0 and A3W2–A3W0 in WCR2. This number of cycles corresponds to the number of synchronous DRAM CAS latency cycles.



Note: For DACKn, an example is shown where $CHCRn.AL$ (access level) = 0 for the DMAC.

Figure 13.28 Basic Timing for Synchronous DRAM Burst Read

In a synchronous DRAM cycle, the \overline{BS} signal is asserted for one cycle at the start of the data transfer cycle corresponding to the READ or READA command. The order of access is as follows: in a fill operation in the event of a cache miss, 64-bit boundary data including the missed data is read first, then 16-byte boundary data including the missed data is read in wraparound mode. The remaining 16 bytes of the 32-byte boundary data are read by the READA command issued next.

Single Read: With the SH7750 Series, as synchronous DRAM is set to burst read/burst write mode, read data output continues after the required data has been read. To prevent data collisions, after the required data is read in Td1, empty read cycles Td2 to Td4 are performed, and the SH7750 Series waits for the end of the synchronous DRAM operation. The \overline{BS} signal is asserted only in Td1.

When the data width is 64 bits, there are 4 burst transfers in a read. In cache-through and other DMA read cycles, of cycles Td1 to Td4, \overline{BS} is asserted and data latched only in the Td1 cycle.

Since such empty cycles increase the memory access time, and tend to reduce program execution speed and DMA transfer speed, it is important both to avoid unnecessary cache-through area accesses, and to use a data structure that will allow data to be placed at a 32-byte boundary, and to be transferred in 32-byte units, when carrying out DMA transfer with synchronous DRAM specified as the source.

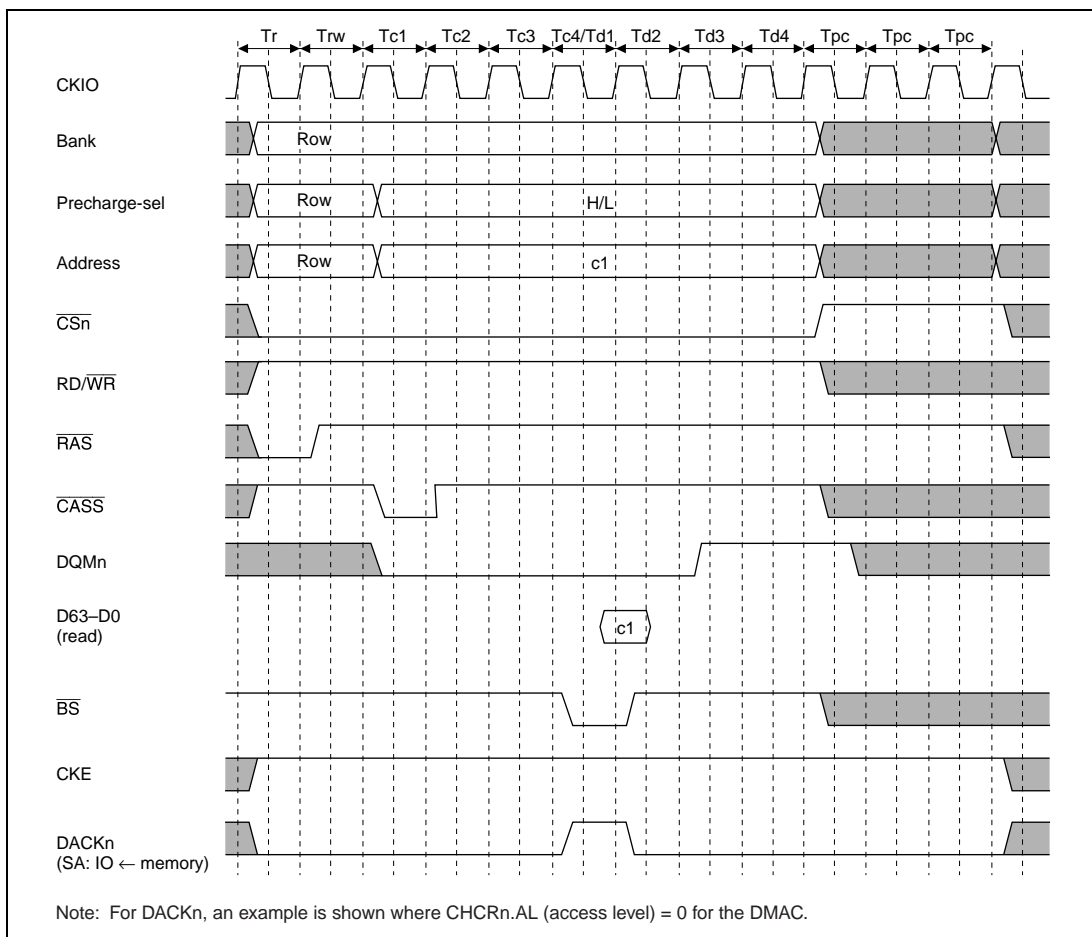


Figure 13.29 Basic Timing for Synchronous DRAM Single Read

Burst Write: The timing chart for a burst write is shown in figure 13.30. In the SH7750 Series, a burst write occurs only in the event of cache copy-back or a 32-byte transfer by the DMAC. In a burst write operation, the WRITA command is issued in the Tc1 cycle following the Tr cycle in which the ACTV command is output. In the write cycle, the write data is output at the same time as the write command. In the case of the write with auto-precharge command, precharging of the relevant bank is performed in the synchronous DRAM after completion of the write command, and therefore no command can be issued for the same bank until precharging is completed. Consequently, in addition to the precharge wait cycle, Tpc, used in a read access, cycle Trwl is also added as a wait interval until precharging is started following the write command. Issuance of a new command for synchronous DRAM is postponed during this interval. The number of Trwl cycles can be specified by bits TRWL2–TRWL0 in MCR. 32-byte boundary data is written in wraparound mode. DACK is asserted two cycles before the data write cycle.

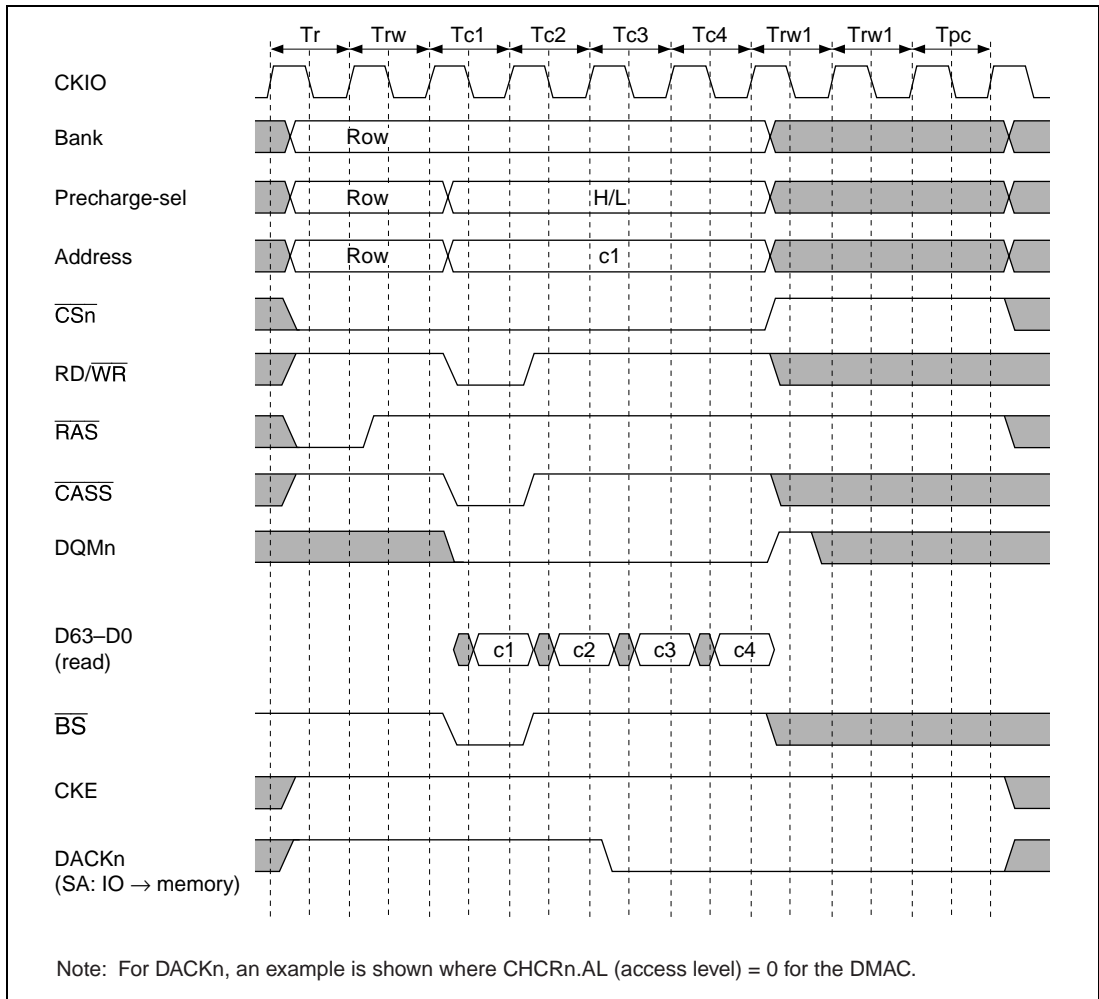
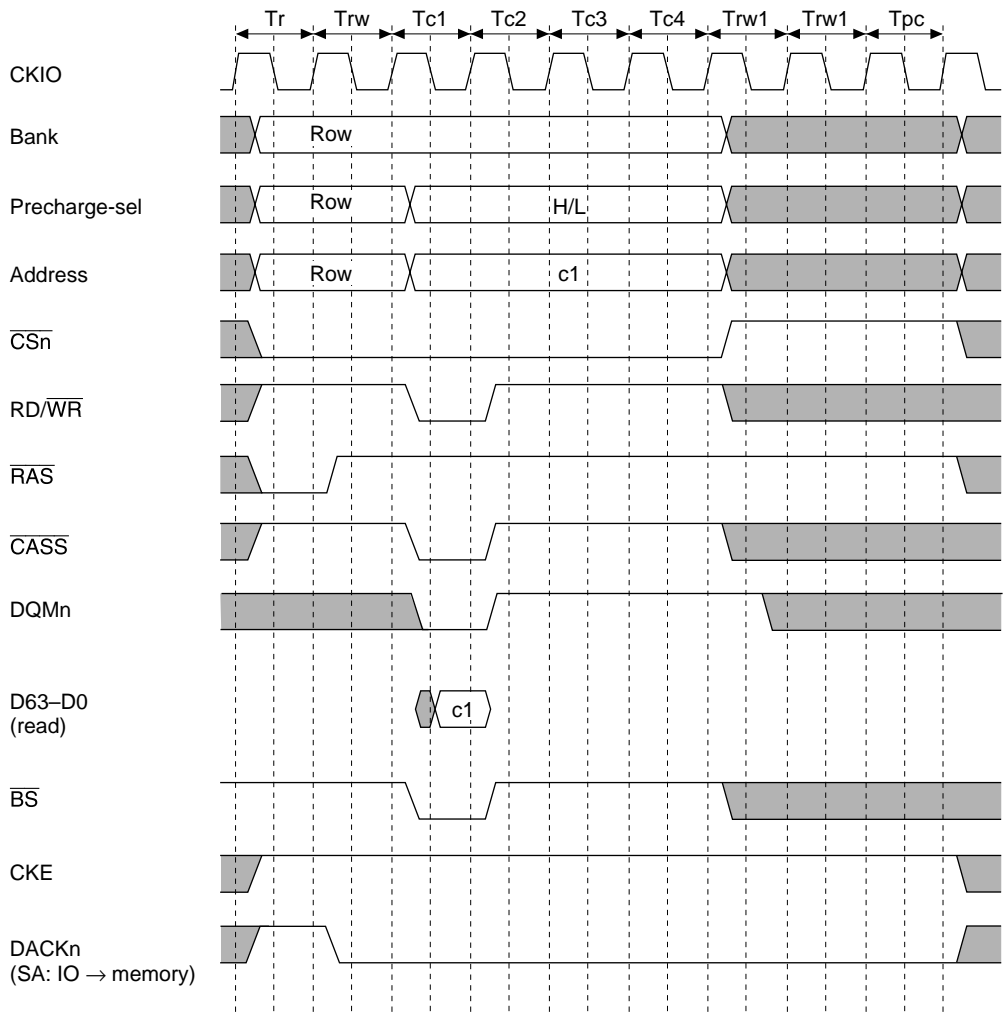


Figure 13.30 Basic Timing for Synchronous DRAM Burst Write

Single Write: The basic timing chart for write access is shown in figure 13.31. In a single write operation, following the T_r cycle in which ACTV command output is performed, a WRITA command that performs auto-precharge is issued in the T_{c1} cycle. In the write cycle, the write data is output at the same time as the write command. In the case of a write with auto-precharge, precharging of the relevant bank is performed in the synchronous DRAM after completion of the write command, and therefore no command can be issued for synchronous DRAM until precharging is completed. Consequently, in addition to the precharge wait cycle, T_{pc} , used in a read access, cycle T_{rwl} is also added as a wait interval until precharging is started following the write command. Issuance of a new command for synchronous DRAM is postponed during this interval. The number of T_{rwl} cycles can be specified by bits TRWL2–TRWL0 in MCR. DACK is asserted two cycles before the data write cycle.

As the SH7750 Series supports burst read/burst write operations for synchronous DRAM, there are empty cycles in a single write operation.



Note: For \overline{DACK}_n , an example is shown where $\text{CHCR}_n.\text{AL}$ (access level) = 0 for the DMAC.

Figure 13.31 Basic Timing for Synchronous DRAM Single Write

RAS Down Mode: The synchronous DRAM bank function is used to support high-speed accesses to the same row address. When the RASD bit in MCR is 1, read/write command accesses are performed using commands without auto-precharge (READ, WRIT). In this case, precharging is not performed when the access ends. When accessing the same row address in the same bank, it is possible to issue the READ or WRIT command immediately, without issuing an ACTV command, in the same way as in the DRAM RAS down state. As synchronous DRAM is internally divided into two or four banks, it is possible to activate one row address in each bank. If the next access is to a different row address, a PRE command is first issued to precharge the relevant bank, then when precharging is completed, the access is performed by issuing an ACTV command followed by a READ or WRIT command. If this is followed by an access to a different row address, the access time will be longer because of the precharging performed after the access request is issued.

In a write, when auto-precharge is performed, a command cannot be issued for a period of $Trwl + Tpc$ cycles after issuance of the WRIT command. When RAS down mode is used, READ or WRIT commands can be issued successively if the row address is the same. The number of cycles can thus be reduced by $Trwl + Tpc$ cycles for each write. The number of cycles between issuance of the precharge command and the row address strobe command is determined by bits TPC2–TPC0 in MCR.

There is a limit on t_{RAS} , the time for placing each bank in the active state. If there is no guarantee that there will not be a cache hit and another row address will be accessed within the period in which this value is maintained by program execution, it is necessary to set auto-refresh and set the refresh cycle to no more than the maximum value of t_{RAS} . In this way, it is possible to observe the restrictions on the maximum active state time for each bank. If auto-refresh is not used, measures must be taken in the program to ensure that the banks do not remain active for longer than the prescribed time.

A burst read cycle without auto-precharge is shown in figure 13.32, a burst read cycle for the same row address in figure 13.33, and a burst read cycle for different row addresses in figure 13.34. Similarly, a burst write cycle without auto-precharge is shown in figure 13.35, a burst write cycle for the same row address in figure 13.36, and a burst write cycle for different row addresses in figure 13.37.

When synchronous DRAM is read, there is a 2-cycle latency for the DMQn signal that performs the byte specification. As a result, when the READ command is issued in figure 13.32, if the Tc cycle is executed immediately, the DMQn signal specification for Td1 cycle data output cannot be carried out. Therefore, the CAS latency should not be set to 1.

When RAS down mode is set, if only accesses to the respective banks in area 3 are considered, as long as accesses to the same row address continue, the operation starts with the cycle in figure 13.32 or 13.35, followed by repetition of the cycle in figure 13.33 or 13.36. An access to a different area during this time has no effect. If there is an access to a different row address in the bank active state, after this is detected the bus cycle in figure 13.34 or 13.37 is executed instead of

that in figure 13.33 or 13.36. In RAS down mode, too, a PALL command is issued before a refresh cycle or before bus release due to bus arbitration.

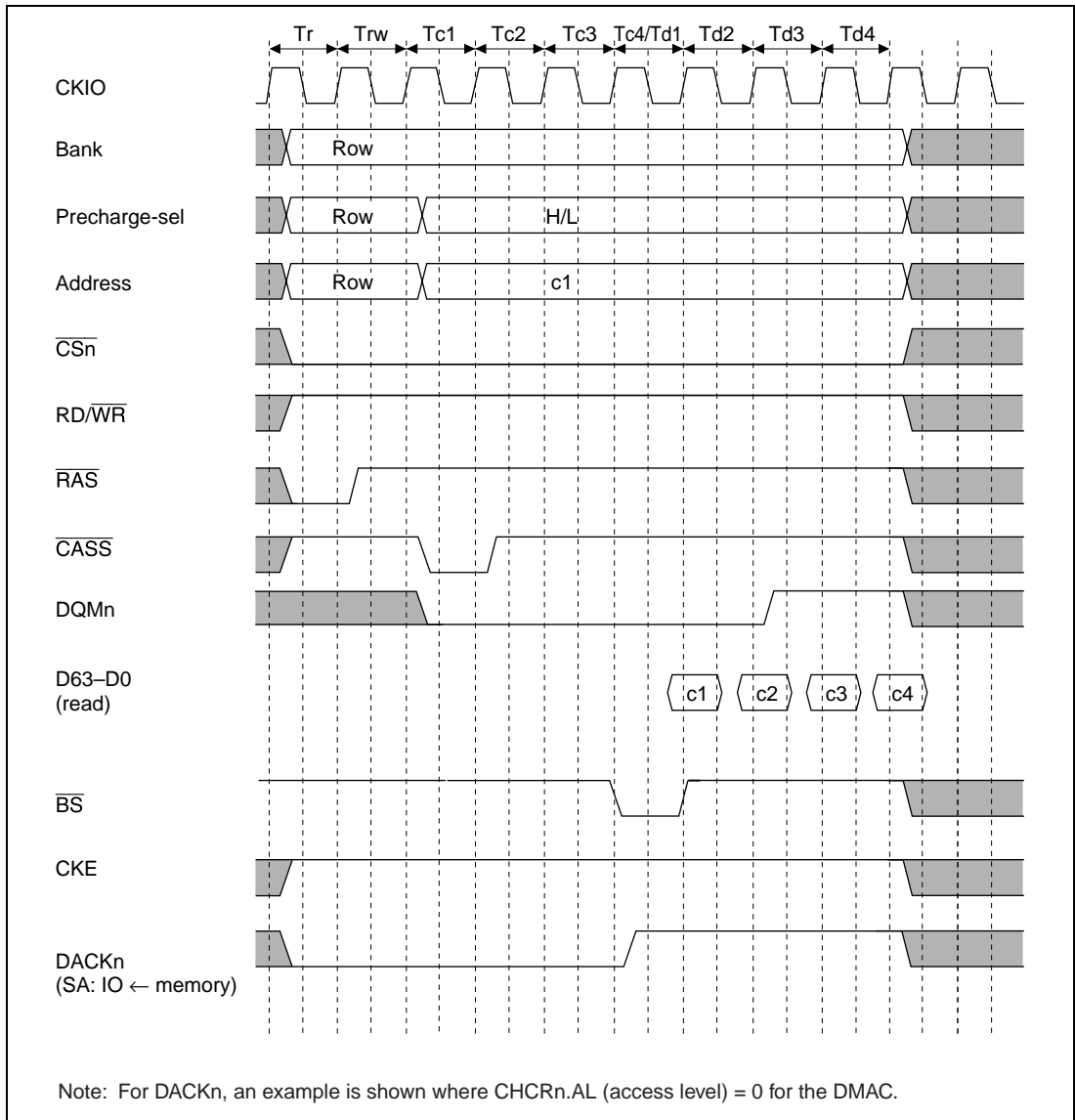
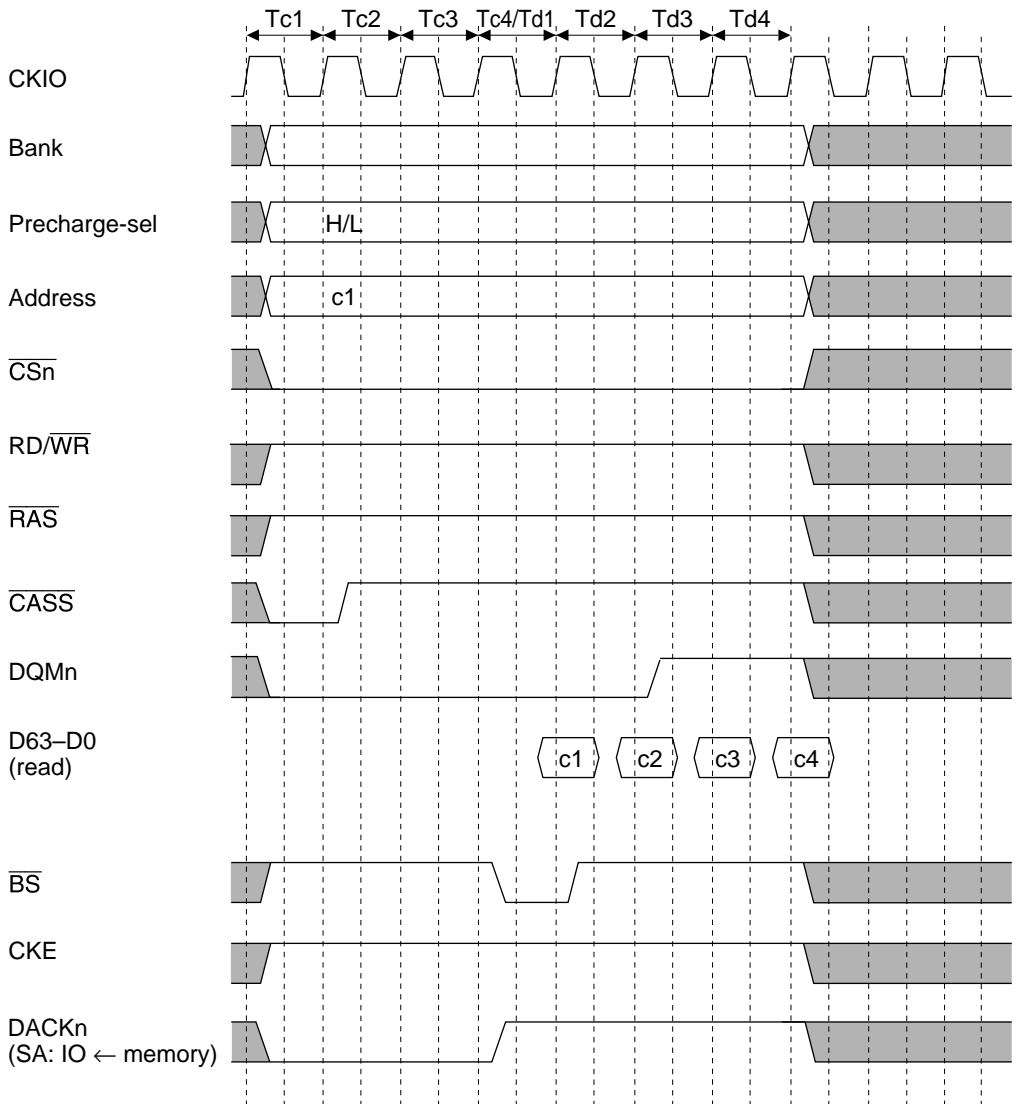
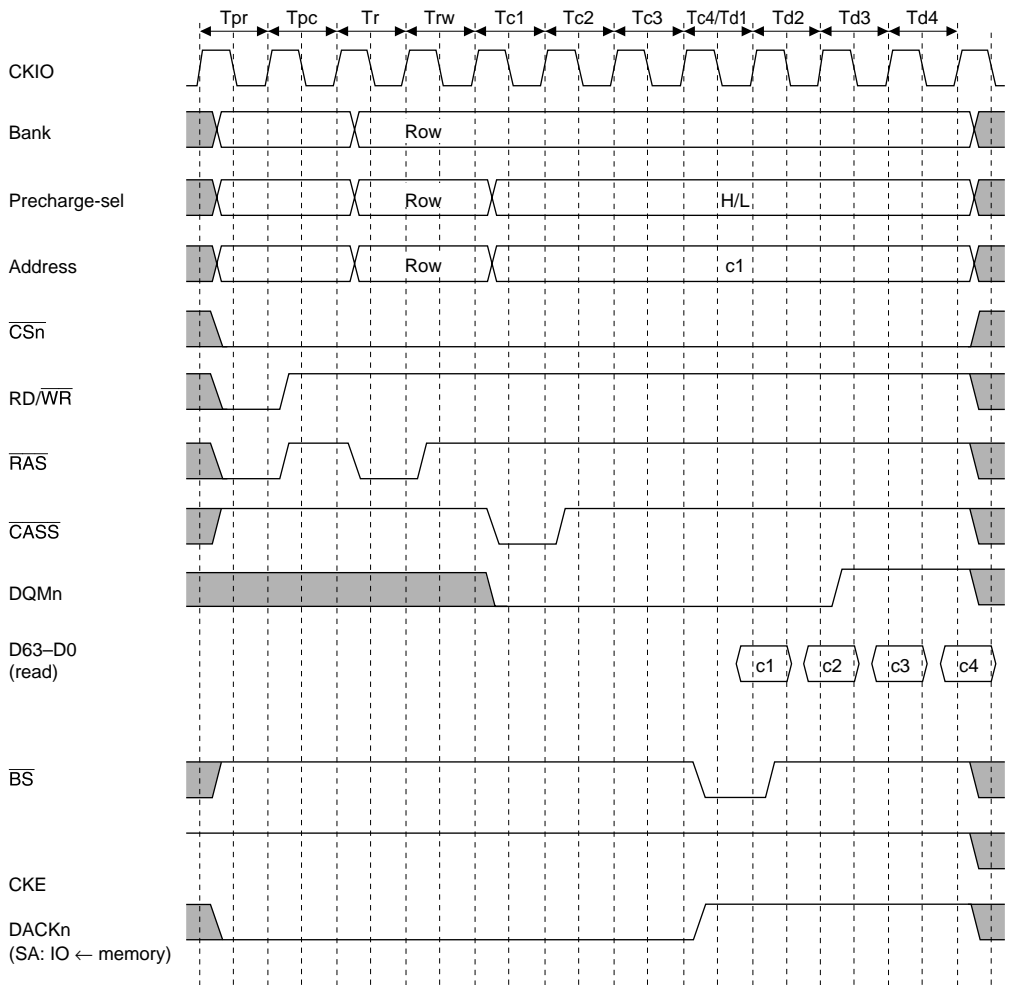


Figure 13.32 Burst Read Timing



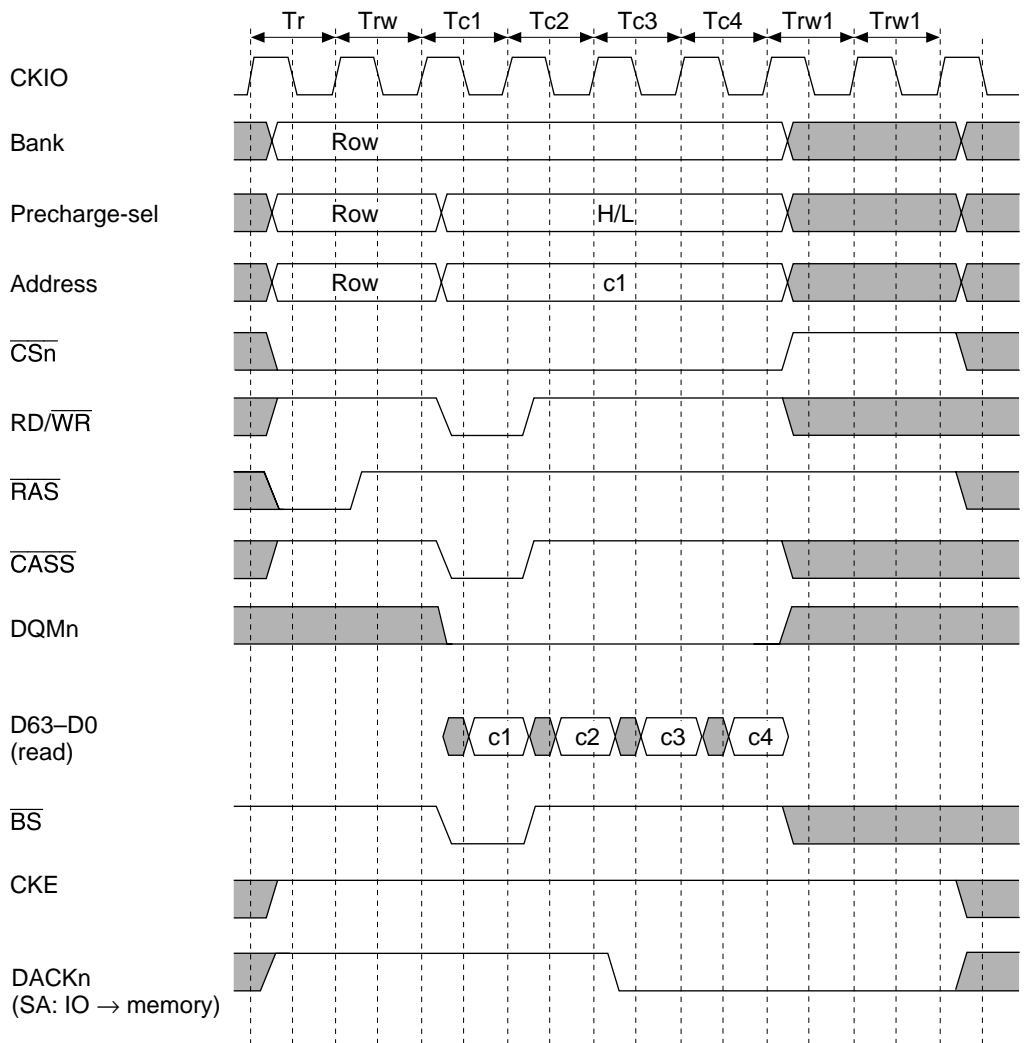
Note: For $DACKn$, an example is shown where $CHCRn.AL$ (access level) = 0 for the DMAC.

Figure 13.33 Burst Read Timing (RAS Down, Same Row Address)



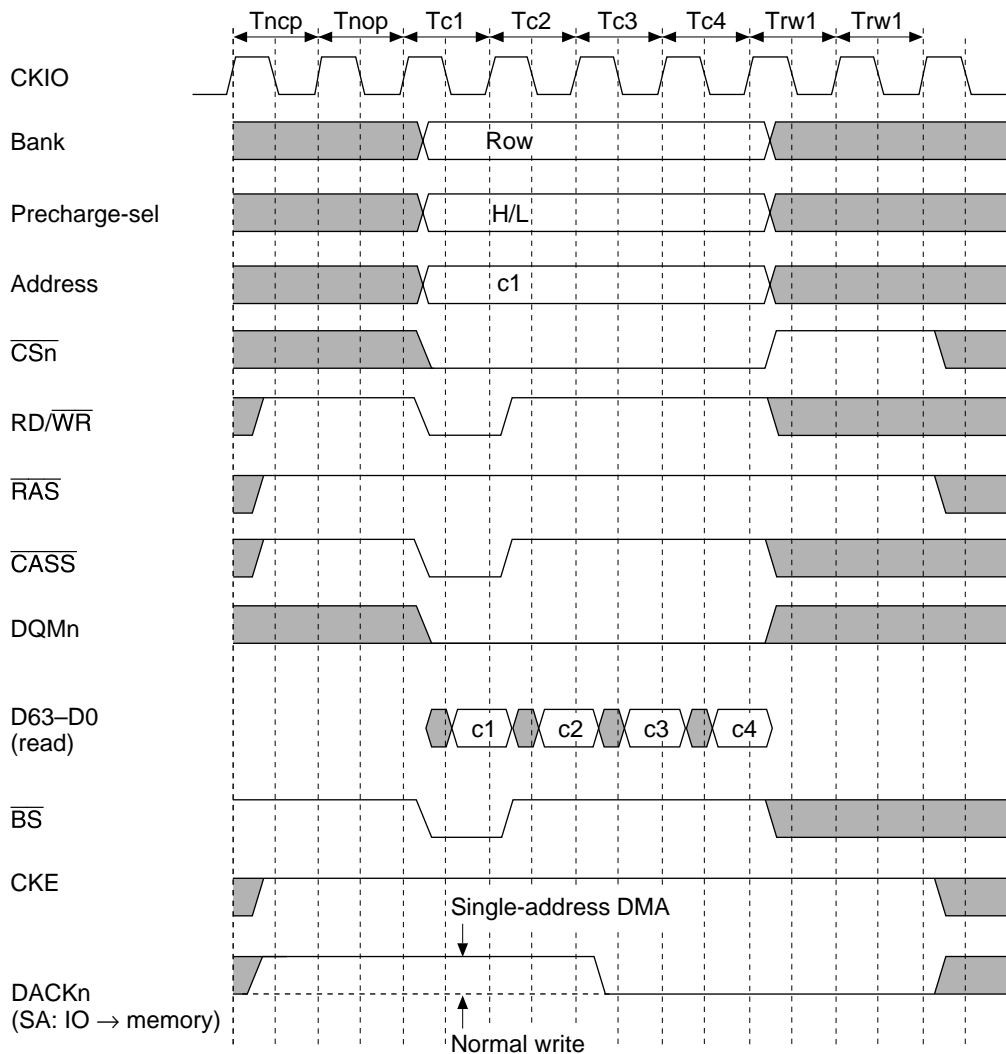
Note: For DACKn, an example is shown where $\text{CHCRn.AL (access level)} = 0$ for the DMAC.

Figure 13.34 Burst Read Timing (RAS Down, Different Row Addresses)



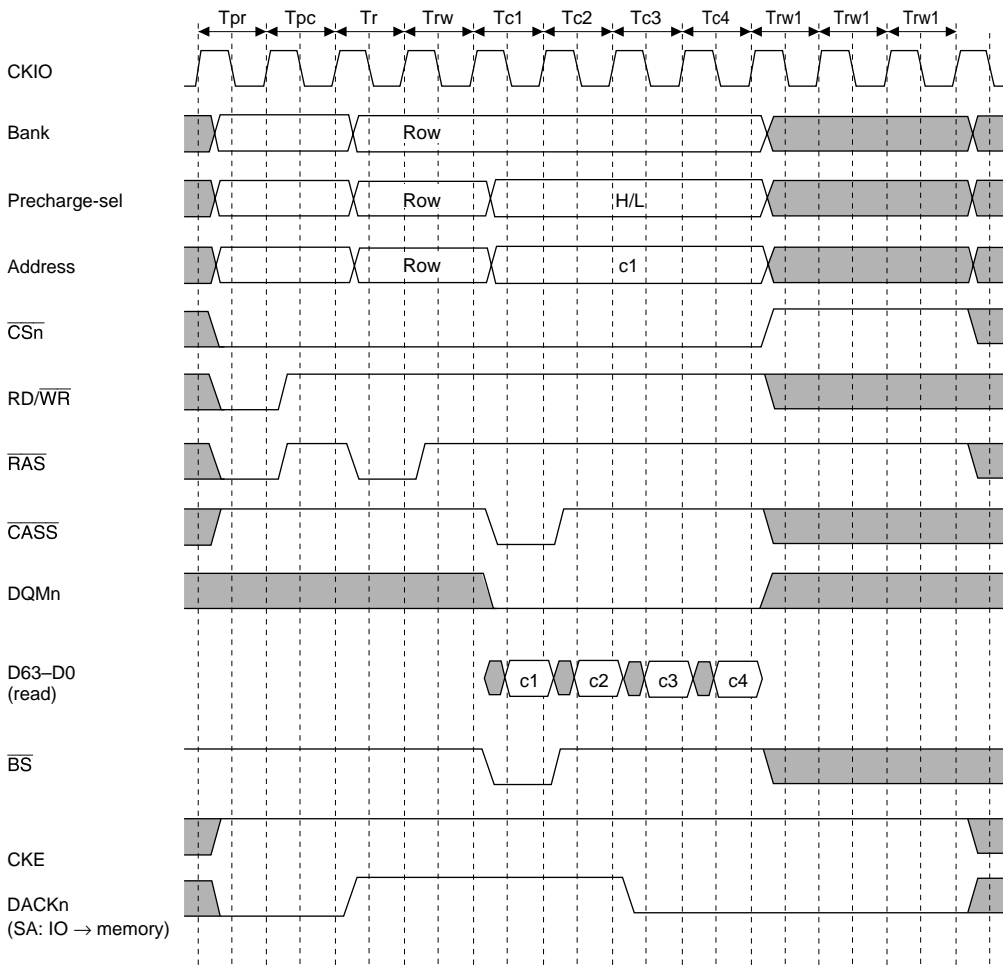
Note: For $DACKn$, an example is shown where $CHCRn.AL$ (access level) = 0 for the DMAC.

Figure 13.35 Burst Write Timing



Note: In the case of SA-DMA only, the (Tnop) cycle is inserted, and the DACKn signal is output as shown by the solid line. In a normal write, the (Tnop) cycle is omitted and the DACKn signal is output as shown by the dotted line. DACKn shows an example where DMAC, CHCRn, and AL (acknowledge level) are 0.

Figure 13.36 Burst Write Timing (Same Row Address)



Note: For DACKn, an example is shown where CHCRn.AL (access level) = 0 for the DMAC.

Figure 13.37 Burst Write Timing (Different Row Addresses)

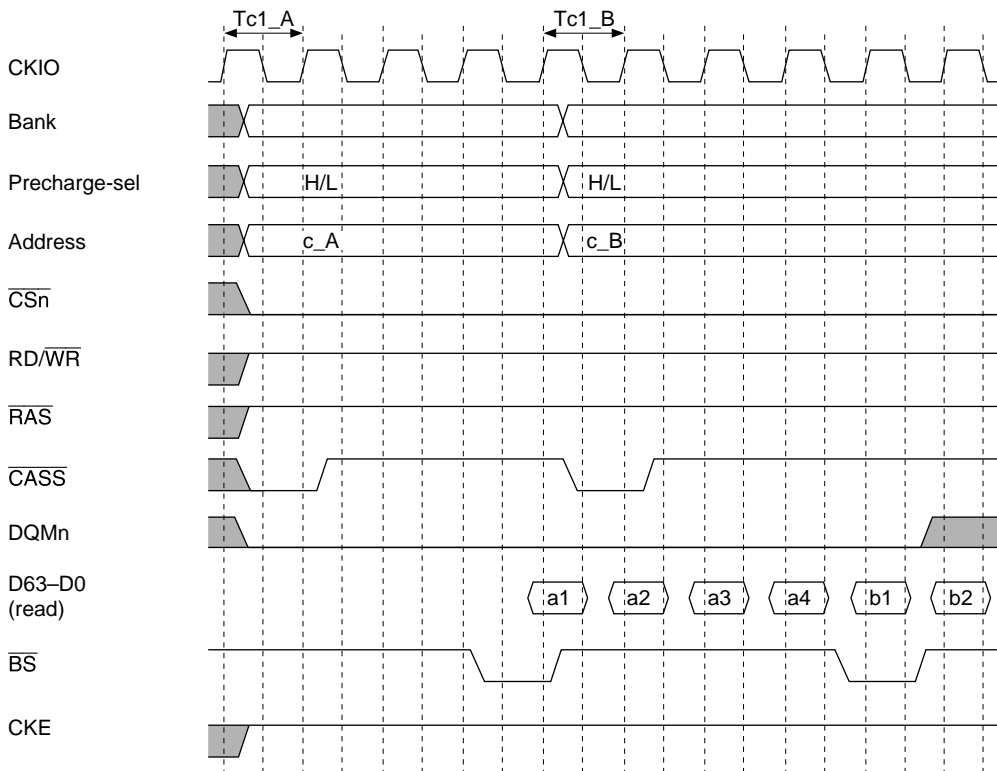
Pipelined Access: When the RASD bit is set to 1 in MCR, pipelined access is performed between an access by the CPU and an access by the DMAC, or in the case of consecutive accesses by the DMAC, to provide faster access to synchronous DRAM. As synchronous DRAM is internally divided into two or four banks, after a READ or WRIT command is issued for one bank it is possible to issue a PRE, ACTV, or other command during the CAS latency cycle or data latch cycle, or during the data write cycle, and so shorten the access cycle.

When a read access is followed by another read access to the same row address, after a READ command has been issued, another READ command is issued before the end of the data latch cycle, so that there is read data on the data bus continuously. When an access is made to another

row address and the bank is different, the PRE command or ACTV command can be issued during the CAS latency cycle or data latch cycle. If there are consecutive access requests for different row addresses in the same bank, the PRE command cannot be issued until the last-but-one data latch cycle. If a read access is followed by a write access, it may be possible to issue a PRE or ACTV command, depending on the bank and row address, but since the write data is output at the same time as the WRIT command, the PRE, ACTV, and WRIT commands are issued in such a way that one or two empty cycles occur automatically on the data bus. Similarly, with a read access following a write access, or a write access following a write access, the PRE, ACTV, READ, or WRIT command is issued during the data write cycle for the preceding access; however, in the case of different row addresses in the same bank, a PRE command cannot be issued, and so in this case the PRE command is issued following the number of Trwl cycles specified by the TRWL bits in MCR, after the end of the last data write cycle.

Figure 13.38 shows a burst read cycle for a different bank and row address following a preceding burst read cycle.

Pipelined access is enabled only for consecutive access to area 3, and will be discontinued in the event of an access to another area. Pipelined access is also discontinued in the event of a refresh cycle, or bus release due to bus arbitration. The cases in which pipelined access is available are shown in table 13.17. In this table, “DMAC dual” indicates transfer in DMAC dual address mode, and “DMAC single”, transfer in DMAC single address mode.



Note: For DACKn, an example is shown where CHCRn.AL (access level) = 0 for the DMAC.

Figure 13.38 Burst Read Cycle for Different Bank and Row Address Following Preceding Burst Read Cycle

Table 13.17 Cycles for which Pipeline Access is Possible

Preceding Access		Succeeding Access					
		CPU		DMAC Dual		DMAC Single	
		Read	Write	Read	Write	Read	Write
CPU	Read	X	X	O	X	O	O
	Write	X	X	O	X	O	O
DMAC dual	Read	X	X	X	X	X	X
	Write	O	O	O	X	O	O
DMAC single	Read	O	O	X	X	O	O
	Write	O	O	O	X	O	O

O: Pipeline access possible

X: Pipeline access not possible

Refreshing: The bus state controller is provided with a function for controlling synchronous DRAM refreshing. Auto-refreshing can be performed by clearing the RMODE bit to 0 and setting the RFSH bit to 1 in MCR. If synchronous DRAM is not accessed for a long period, self-refresh mode, in which the power consumption for data retention is low, can be activated by setting both the RMODE bit and the RFSH bit to 1.

- Auto-Refreshing

Refreshing is performed at intervals determined by the input clock selected by bits CKS2–CKS0 in RTCSR, and the value set in RTCOR. The value of bits CKS2–CKS0 in RTCOR should be set so as to satisfy the refresh interval specification for the synchronous DRAM used. First make the settings for RTCOR, RTCNT, and the RMODE and RFSH bits in MCR, then make the CKS2–CKS0 setting last of all. When the clock is selected by CKS2–CKS0, RTCNT starts counting up from the value at that time. The RTCNT value is constantly compared with the RTCOR value, and if the two values are the same, a refresh request is generated and an auto-refresh is performed. At the same time, RTCNT is cleared to zero and the count-up is restarted. Figure 13.40 shows the auto-refresh cycle timing.

First, an REF command is issued in the TRr cycle. After the TRr cycle, new command output cannot be performed for the duration of the number of cycles specified by bits TRAS2–TRAS0 in MCR plus the number of cycles specified by bits TRC2–TRC0 in MCR. The TRAS2–TRAS0 and TRC2–TRC0 bits must be set so as to satisfy the synchronous DRAM refresh cycle time specification (active/active command delay time).

Auto-refreshing is performed in normal operation, in sleep mode, and in the case of a manual reset.

When both areas 2 and 3 are set to the synchronous DRAM, auto-refreshing of area 2 is performed subsequent to area 3.

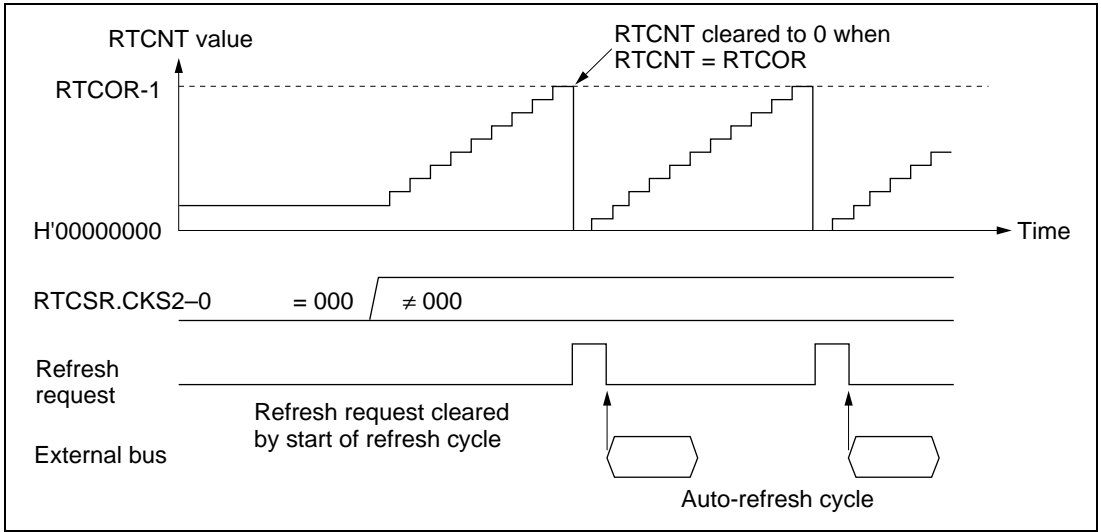


Figure 13.39 Auto-Refresh Operation

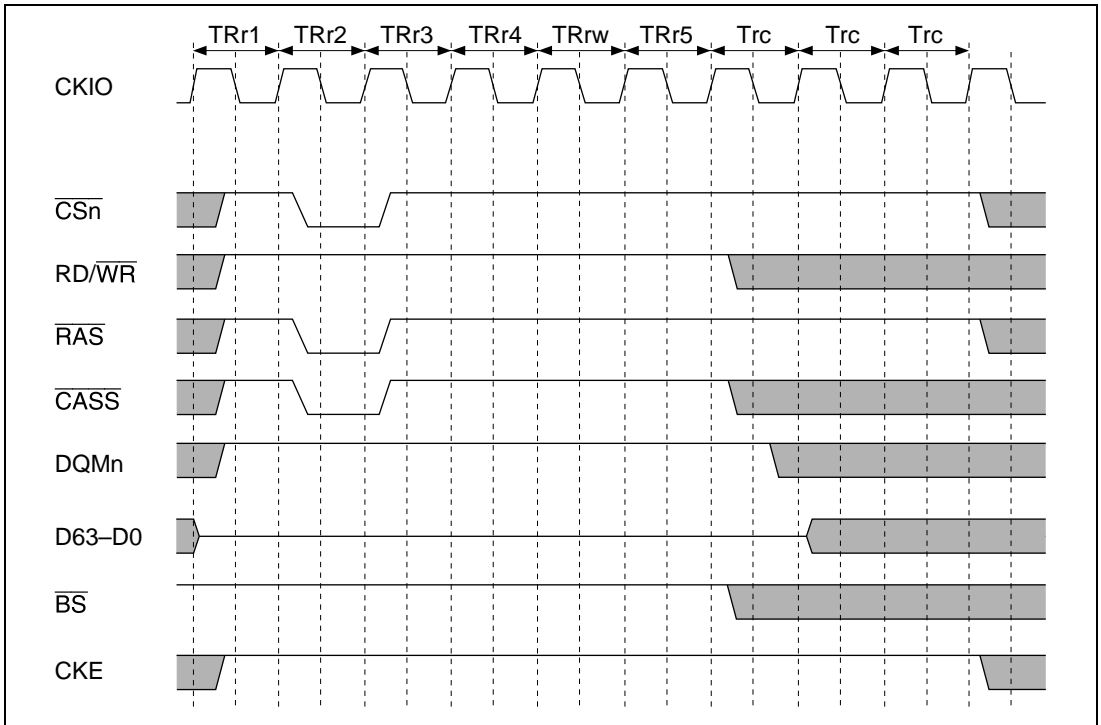


Figure 13.40 Synchronous DRAM Auto-Refresh Timing

- Self-Refreshing

Self-refresh mode is a kind of standby mode in which the refresh timing and refresh addresses are generated within the synchronous DRAM. Self-refreshing is activated by setting both the RMODE bit and the RFSH bit to 1. The self-refresh state is maintained while the CKE signal is low. Synchronous DRAM cannot be accessed while in the self-refresh state. Self-refresh mode is cleared by clearing the RMODE bit to 0. After self-refresh mode has been cleared, command issuance is disabled for the number of cycles specified by bits TRC2–TRC0 in MCR. Self-refresh timing is shown in figure 13.41. Settings must be made so that self-refresh clearing and data retention are performed correctly, and auto-refreshing is performed at the correct intervals. When self-refreshing is activated from the state in which auto-refreshing is set, or when exiting standby mode other than through a power-on reset, auto-refreshing is restarted if RFSH is set to 1 and RMODE is cleared to 0 when self-refresh mode is cleared. If the transition from clearing of self-refresh mode to the start of auto-refreshing takes time, this time should be taken into consideration when setting the initial value of RTCNT. Making the RTCNT value 1 less than the RTCOR value will enable refreshing to be started immediately. After self-refreshing has been set, the self-refresh state continues even if the chip standby state is entered using the SH7750 Series' standby function, and is maintained even after recovery from standby mode other than through a power-on reset.

In the case of a power-on reset, the bus state controller's registers are initialized, and therefore the self-refresh state is cleared.

Self-refreshing is performed in normal operation, in sleep mode, in standby mode, and in the case of a manual reset.

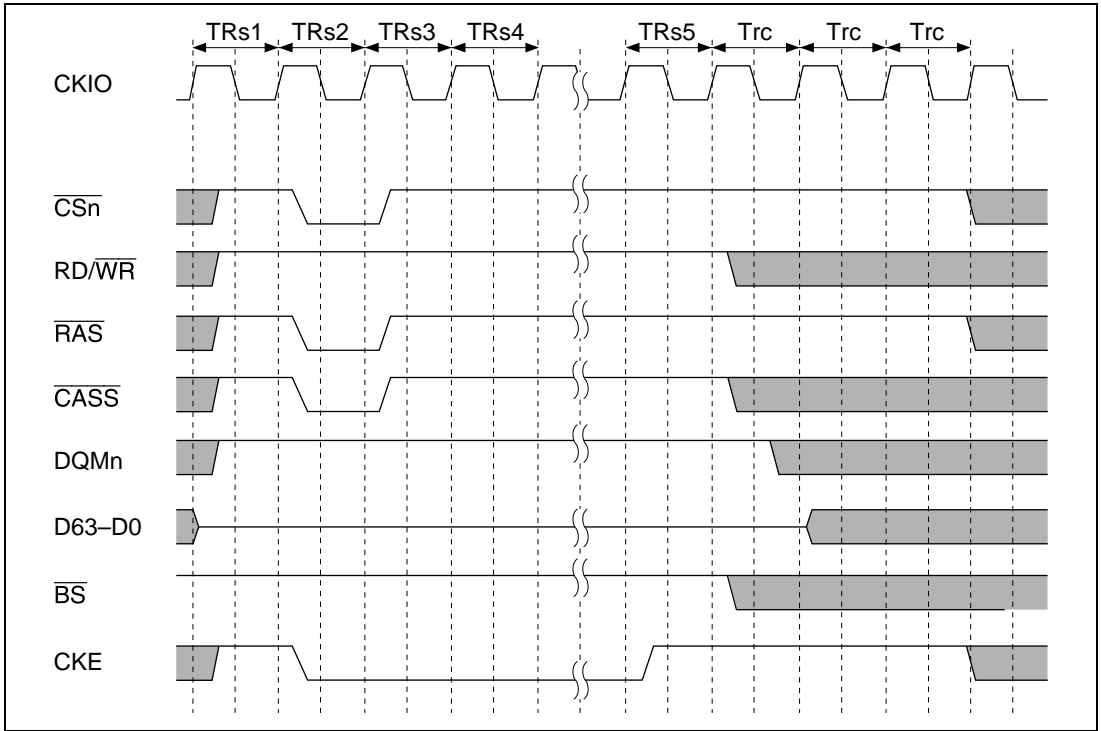


Figure 13.41 Synchronous DRAM Self-Refresh Timing

- Relationship between Refresh Requests and Bus Cycle Requests

If a refresh request is generated during execution of a bus cycle, execution of the refresh is deferred until the bus cycle is completed. Refresh operations are deferred during multiple bus cycles generated because the data bus width is smaller than the access size (for example, when performing longword access to 8-bit bus width memory) and during a 32-byte transfer such as a cache fill or write-back, and also between read and write cycles during execution of a TAS instruction, and between read and write cycles when DMAC dual address transfer is executed. If a refresh request occurs when the bus has been released by the bus arbiter, refresh execution is deferred until the bus is acquired. If a match between RTCNT and RTCOR occurs while a refresh is waiting to be executed, so that a new refresh request is generated, the previous refresh request is eliminated. In order for refreshing to be performed normally, care must be taken to ensure that no bus cycle or bus mastership occurs that is longer than the refresh interval. When a refresh request is generated, the $\overline{\text{BACK}}$ pin is negated (driven high). Therefore, normal refreshing can be performed by having the $\overline{\text{BACK}}$ pin monitored by a bus master other than the SH7750 Series requesting the bus, or the bus arbiter, and returning the bus to the SH7750 Series.

Power-On Sequence: In order to use synchronous DRAM, mode setting must first be performed after powering on. To perform synchronous DRAM initialization correctly, the bus state controller registers must first be set, followed by a write to the synchronous DRAM mode register. In synchronous DRAM mode register setting, the address signal value at that time is latched by a combination of the \overline{RAS} , \overline{CAS} , and RD/\overline{WR} signals. If the value to be set is X, the bus state controller provides for value X to be written to the synchronous DRAM mode register by performing a write to address $H'FF900000 + X$ for area 2 synchronous DRAM, and to address $H'FF940000 + X$ for area 3 synchronous DRAM. In this operation the data is ignored, but the mode write is performed as a byte-size access. To set burst read/write, CAS latency 1 to 3, wrap type = sequential, and burst length 4* or 8, supported by the SH7750, arbitrary data is written by byte-size access to the following addresses.

Bus Width	Burst Length	CAS Latency	Area 2	Area 3
32	4*	1	H'FF900048	H'FF940048
		2	H'FF900088	H'FF940088
		3	H'FF9000C8	H'FF9400C8
32	8	1	H'FF90004C	H'FF94004C
		2	H'FF90008C	H'FF94008C
		3	H'FF9000CC	H'FF9400CC
64	4	1	H'FF900090	H'FF940090
		2	H'FF900110	H'FF940110
		3	H'FF900190	H'FF940190

Note: * SH7750R only.

The value set in MCR.MRSET is used to select whether a precharge all banks command or a mode register setting command is issued. The timing for the precharge all banks command is shown in figure 13.42 (1), and the timing for the mode register setting command in figure 13.42 (2).

Before mode register, a 200 μ s idle time (depending on the memory manufacturer) must be guaranteed after the power required for the synchronous DRAM is turned on. If the reset signal pulse width is greater than this idle time, there is no problem in making the precharge all banks setting immediately.

First, a precharge all banks (PALL) command is issued in the TRp1 cycle by performing a write to address $H'FF900000 + X$ or $H'FF940000 + X$ while MCR.MRSET = 0. Next, the number of dummy auto-refresh cycles specified by the manufacturer (usually 8) or more must be executed. This is achieved automatically while various kinds of initialization are being performed after auto-refresh setting, but a way of carrying this out more dependably is to change the RTCOR register value to set a short refresh request generation interval just while these dummy cycles are being executed. With simple read or write access, the address counter in the synchronous DRAM used for auto-refreshing is not initialized, and so the cycle must always be an auto-refresh cycle. After

auto-refreshing has been executed at least the prescribed number of times, a mode register setting command is issued in the TMw1 cycle by setting MCR.MRSET to 1 and performing a write to address H'FF900000 + X or H'FF940000 + X.

Synchronous DRAM mode register setting should be executed once only after power-on (reset) and before synchronous DRAM access, and no subsequent changes should be made.

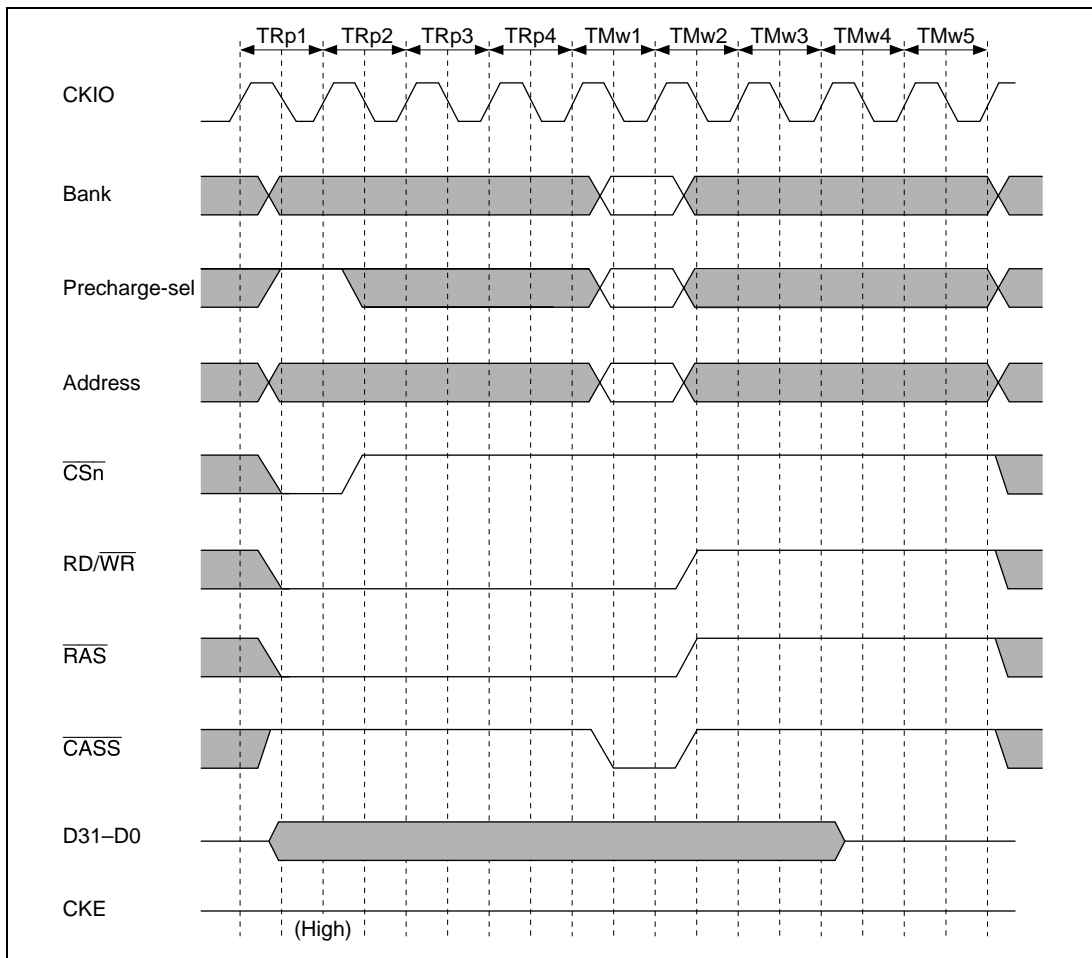


Figure 13.42 (1) Synchronous DRAM Mode Write Timing (PALL)

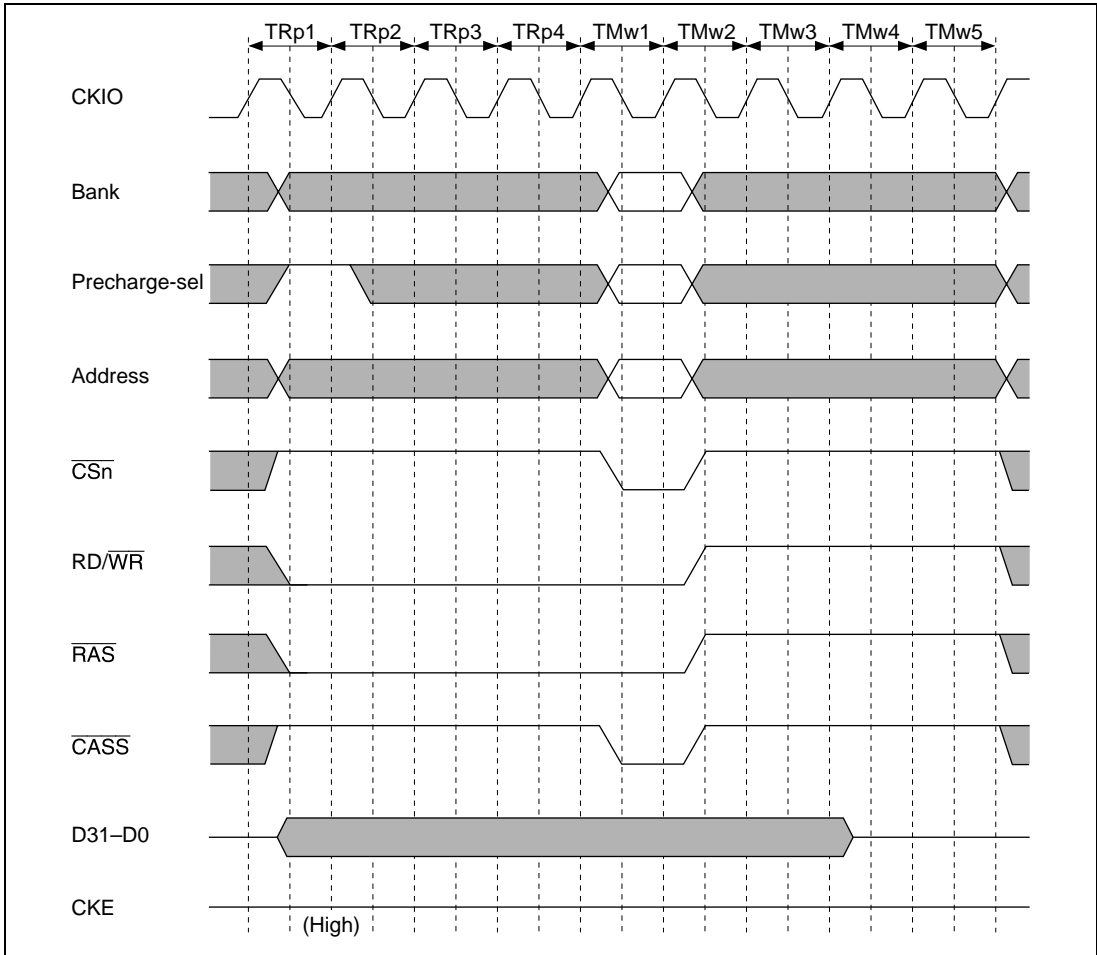


Figure 13.42 (2) Synchronous DRAM Mode Write Timing (Mode Register Set)

Notes on Changing the Burst Length (SH7750R Only): In the SH7750R, when synchronous DRAM is connected with a 32-bit memory bus, the burst length can be selected as either 4 or 8 by the setting of the SDBL bit of the BCR3 register. For more details, see the description of the BCR3 register.

- Burst Read

Figure 13.43 is the timing chart of a burst-read operation with a burst length of 4. Following the T_r cycle, during which an ACTV command is output, a READ command is issued during cycle T_{c1} , and a READA command is issued four cycles later. During the T_{d1} to T_{d8} cycles, read data are accepted on the rising edges of the external command clock (CKIO). T_{pc} is the cycle used to wait for the auto-precharging, which is triggered by the READA command, to be completed in the synchronous DRAM. During this cycle, a new command for accessing the same bank cannot be issued. In this LSI, the number of T_{pc} cycles is determined by the setting of the TPC2 to TPC0 bits of MCR, and no command that operates on the synchronous DRAM may be issued during these cycles.

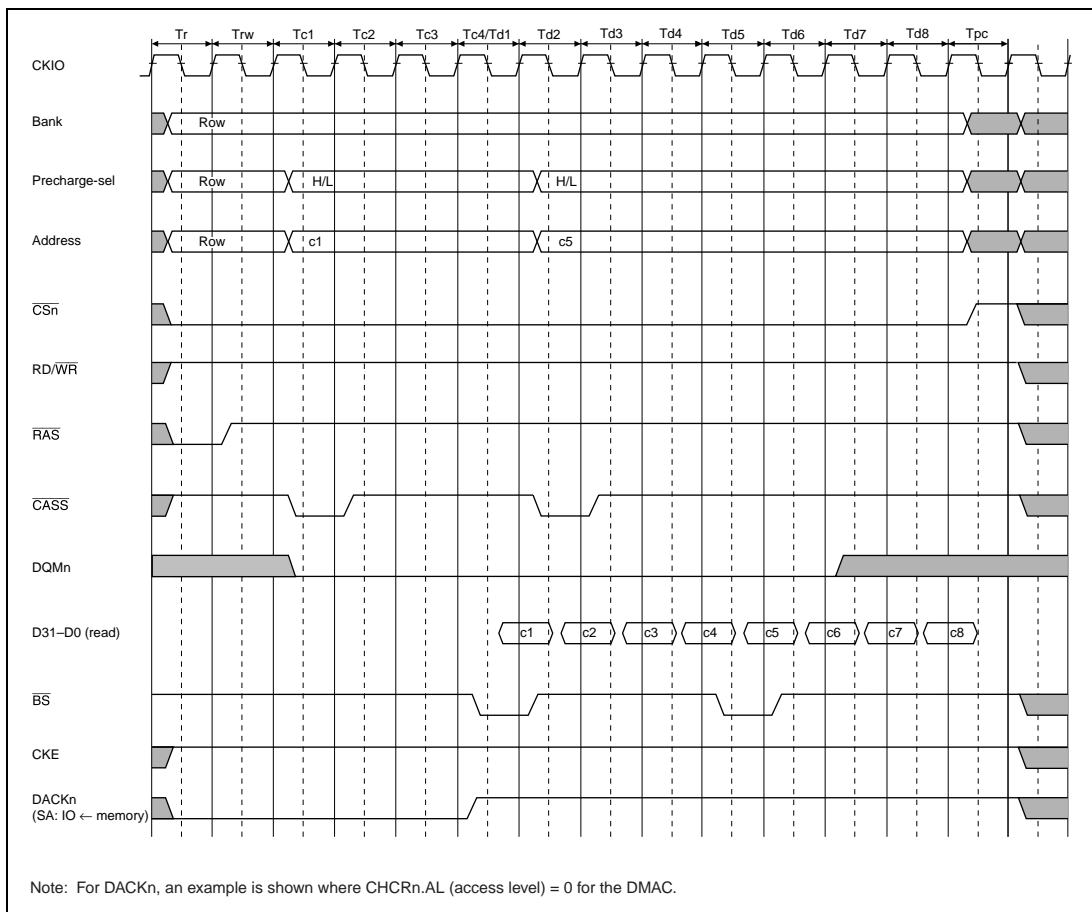


Figure 13.43 Basic Timing of Synchronous DRAM Burst Read (Burst Length = 4)

In a synchronous DRAM cycle, the \overline{BS} signal is asserted for one cycle at the beginning of each data transfer cycle that is in response to a READ or READA command. Data are accessed in the following sequence: in the fill operation for a cache miss, the data between 64-bit boundaries that include the missing data are first read by the initial READ command; after that, the data between 16-bit boundaries data that include the missing data are read in a wraparound way. The subsequently issued READA command reads the 16 bytes of data, which is the remainder of the data between 32-byte boundaries, from the start of the 16-byte boundary.

- **Burst Write**

Figure 13.44 is the timing chart for a burst-write operation with a burst length of 4. In this LSI, a burst write takes place when a 32-byte data transfer has occurred. In a burst-write operation, subsequent to the T_r cycle, in which ACTV command output takes place, a WRIT command is issued during the T_{c1} cycle, and a WRITA command is issued four cycles later. During the write cycle, write data is output together with the write command. With a write command that includes an auto precharge, the precharge is performed on the relevant bank of the synchronous DRAM on completion of the write command so no new command that accesses the same bank can be issued until precharging is completed. For this reason, $Trwl$ cycles, which are a period of waiting for precharging to start after the write command, are added. This is additional to the precharge-waiting cycle used in read access. These cycles delay the issuing of new commands to the synchronous DRAM. The setting of the $TRWL2$ to $TRWL0$ bits of MCR selects the number of $Trwl$ cycles. The data between 16-byte boundaries is first accessed, and the data between 32-byte boundaries are then written in a wraparound way. DACK is asserted for two cycles before the data-write cycle.

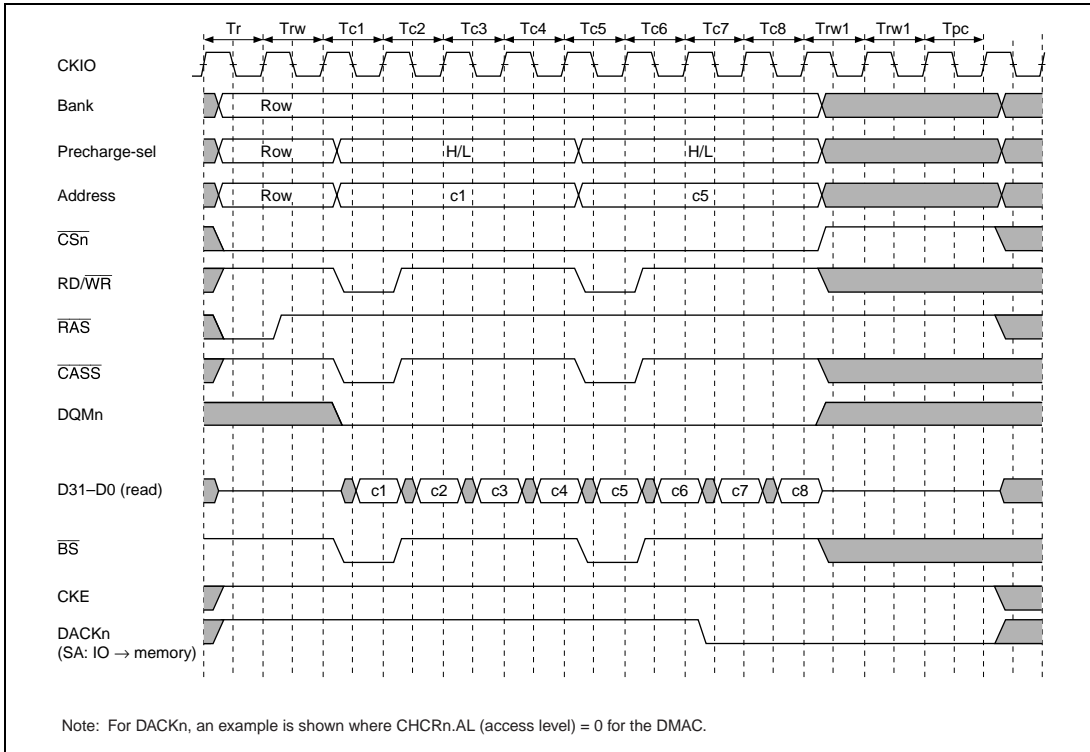


Figure 13.44 Basic Timing of a Burst Write to Synchronous DRAM

Connecting a 128-Mbit/256-Mbit Synchronous DRAM with 64-bit Bus Width (SH7750R Only): It is possible to connect 128-Mbit or 256-Mbit synchronous DRAMs with 64-bit bus width to the SH7750R. RAS down mode is also available using a 128 Mbytes of external memory space in area 2 or 3. Either eight 128-Mbit ($4\text{ M} \times 8\text{ bit} \times 4\text{ bank}$) DRAMs or four 256-Mbit ($4\text{ M} \times 8\text{ bit} \times 4\text{ bank}$) DRAMs can be connected. Figure 13.45 shows an example in which four 256-Mbit DRAMs are connected.

Notes on Usage:

- BCR1.DRAMTP2–DRAMTP0 = 011: Sets areas 2 and 3 as synchronous-DRAM-interface spaces.
- MCR.SZ = 00: Sets the bus width of the synchronous DRAM to 64 bits.
- MCR.AMX = 6: Selects the 128-Mbit or 256-Mbit address-multiplex setting for the synchronous DRAM.
- In the auto-refresh operation, the REF command is issued twice in response to a single refresh request. Set RTCOR and bits CKS2–CKS0 so as to satisfy the refresh-interval rating of the synchronous DRAM which you are using.
- When setting the mode register of the synchronous DRAM, set the address for area 2 first.

- Control signals required in this connection are $\overline{\text{RAS}}$, $\overline{\text{CAS}}$, $\overline{\text{RD}}/\overline{\text{WR}}$, $\overline{\text{CS3}}$, DQM0–DQM7, and CKE. CS2 is not used.
- Do not use partial-sharing mode. If you use this, correct operation is not guaranteed.

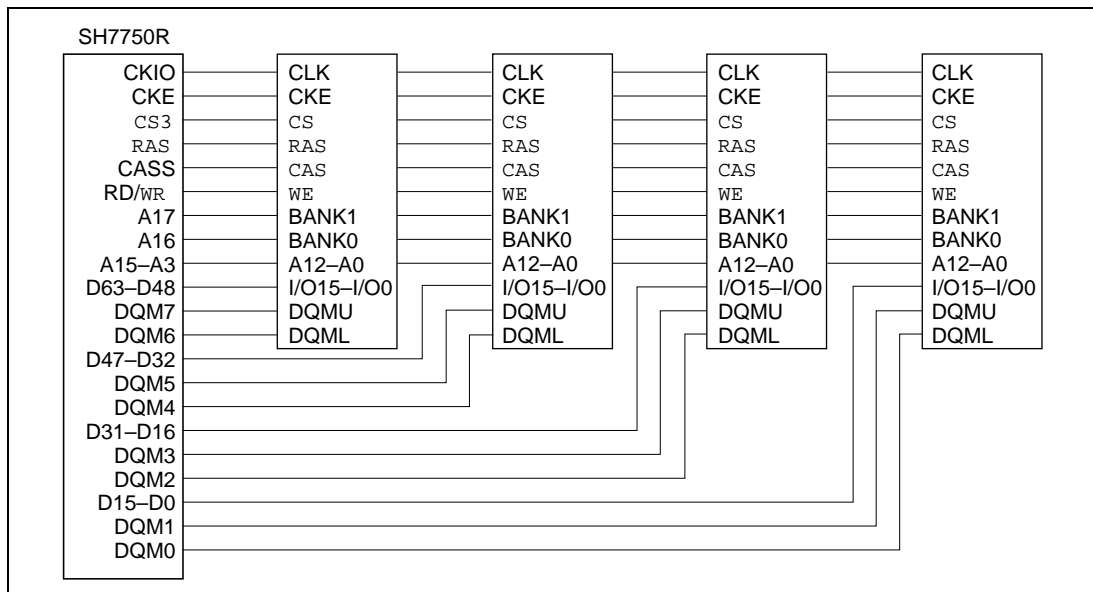


Figure 13.45 Example of the Connection of Synchronous DRAM with 64-bit Bus Width (256 Mbits)

13.3.6 Burst ROM Interface

Setting bits A0BST2–A0BST0, A5BST2–A5BST0, and A6BST2–A6BST0 in BCR1 to a non-zero value allows burst ROM to be connected to areas 0, 5, and 6. The burst ROM interface provides high-speed access to ROM that has a burst access function. The timing for burst access to burst ROM is shown in figure 13.46. Two wait cycles are set. Basically, access is performed in the same way as for SRAM interface, but when the first cycle ends, only the address is changed before the next access is executed. When 8-bit ROM is connected, the number of consecutive accesses can be set as 4, 8, 16, or 32 with bits A0BST2–A0BST0, A5BST2–A5BST0, or A6BST2–A6BST0. When 16-bit ROM is connected, 4, 8, or 16 can be set in the same way. When 32-bit ROM is connected, 4 or 8 can be set.

$\overline{\text{RDY}}$ pin sampling is always performed when one or more wait states are set.

The second and subsequent access cycles also comprise two cycles when a burst ROM setting is made and the wait specification is 0. The timing in this case is shown in figure 13.47.

A write operation for the burst ROM interface is performed as if the SRAM interface is selected.

In 32-byte transfer, a total of 32 bytes are transferred consecutively according to the set bus width. The first access is performed on the data for which there was an access request, and the remaining accesses are performed on the data at the 32-byte boundary. The bus is not released during this period.

Figure 13.48 shows the timing when a burst ROM setting is made, and setup/hold is specified in WCR3.

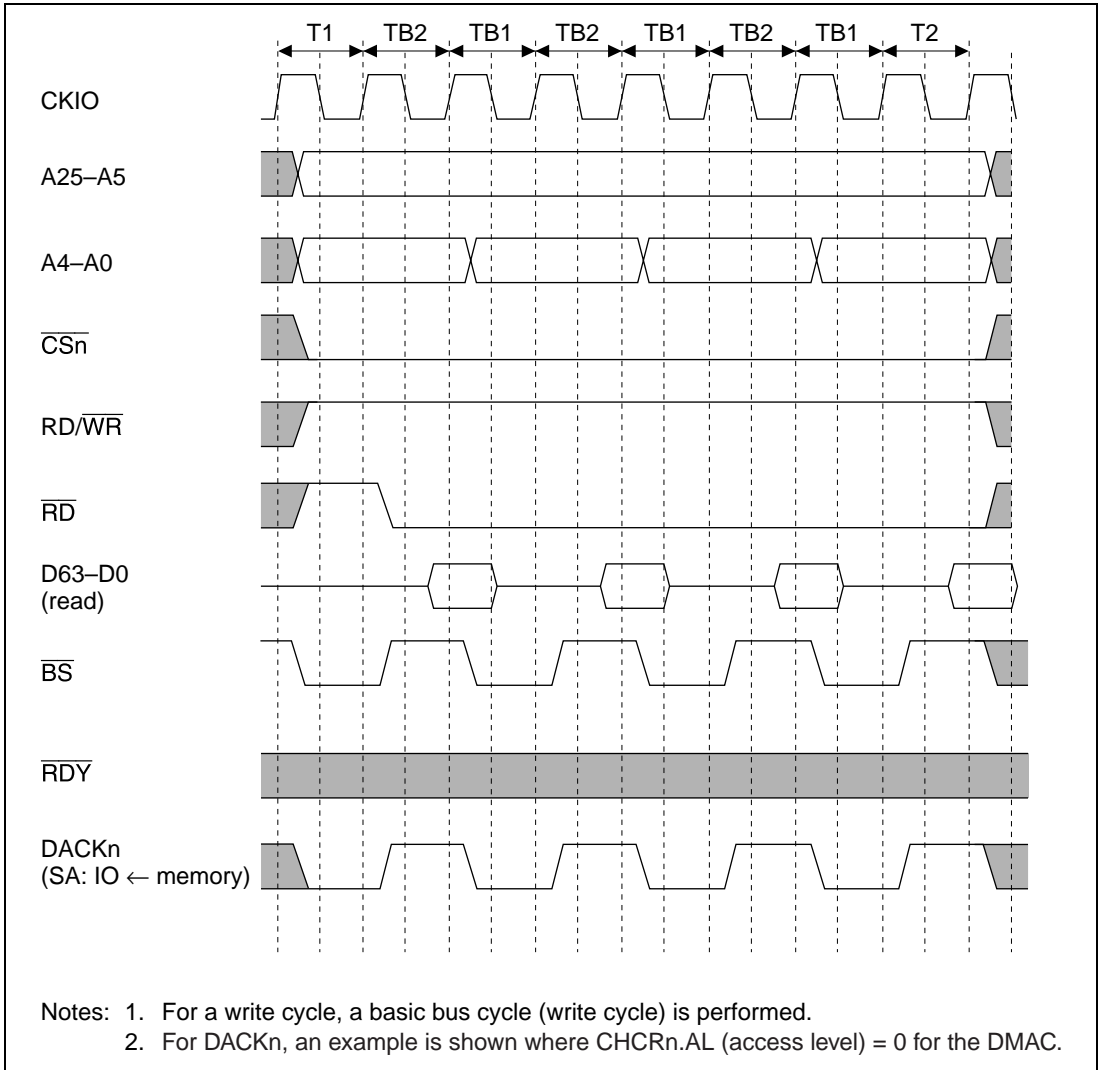
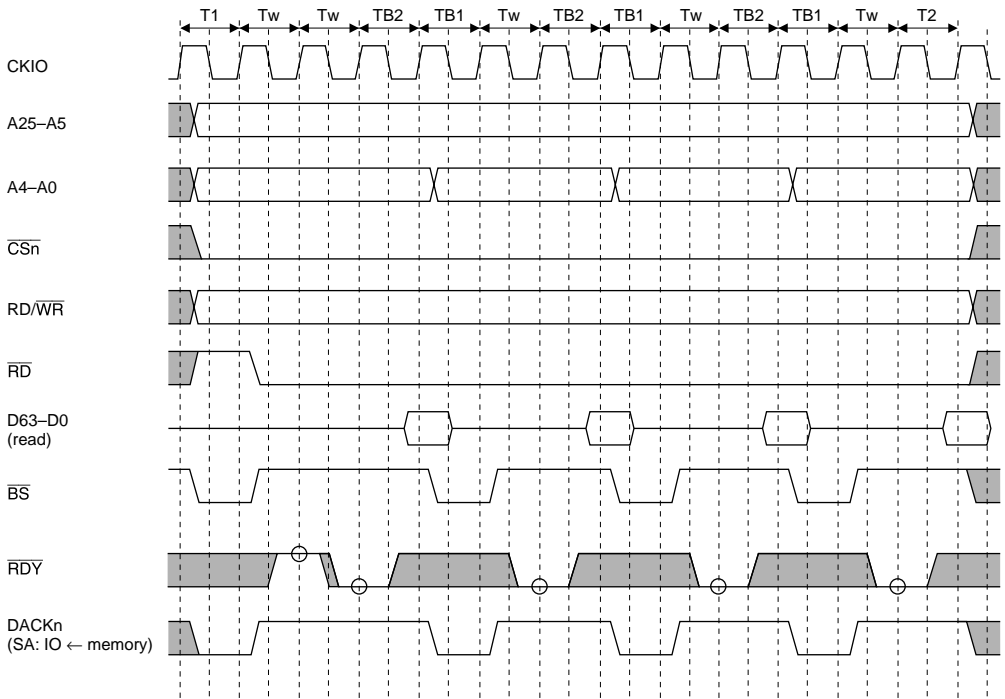


Figure 13.46 Burst ROM Basic Access Timing



- Notes: 1. For a write cycle, a basic bus cycle (write cycle) is performed.
 2. For DACKn, an example is shown where CHCRn.AL (access level) = 0 for the DMAC.

Figure 13.47 Burst ROM Wait Access Timing

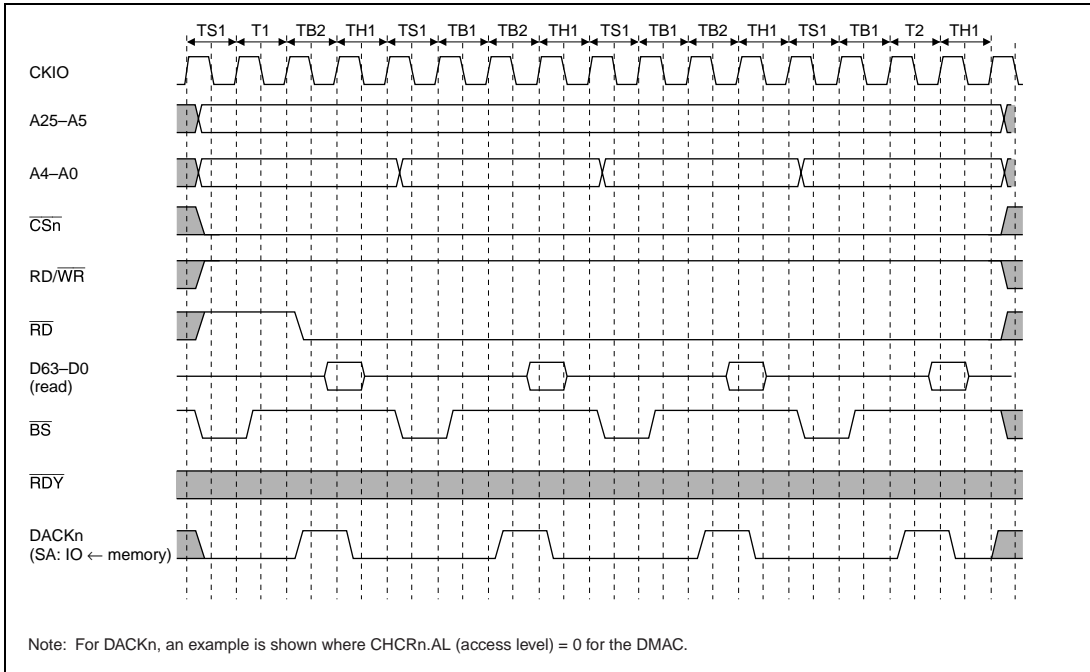


Figure 13.48 Burst ROM Wait Access Timing

13.3.7 PCMCIA Interface

In the SH7750 Series, setting the A56PCM bit in BCR1 to 1 makes the bus interface for external memory space areas 5 and 6 an IC memory card interface or I/O card interface as stipulated in JEIDA specification version 4.2 (PCMCIA2.1).

Figure 13.49 shows an example of PCMCIA card connection to the SH7750 Series. To enable active insertion of the PCMCIA cards (i.e. insertion or removal while system power is being supplied), a 3-state buffer must be connected between the SH7750 Series' bus interface and the PCMCIA cards.

As operation in big-endian mode is not explicitly stipulated in the JEIDA/PCMCIA specifications, the SH7750 Series supports only a little-endian mode PCMCIA interface.

In the SH7750, the PCMCIA interface area can only be accessed when the MMU is used. The PCMCIA interface memory space can be set in page units and there is a choice of 8-bit common memory, 16-bit common memory, 8-bit attribute memory, 16-bit attribute memory, 8-bit I/O space, 16-bit I/O space, or dynamic bus sizing, according to the accessed SA2 to SA0 bits.

The setting for wait cycles during a bus access can also be made in MMU page units. When the TC bit to be accessed is cleared to 0, bits A5W2 to A5W0 in wait control register 2 (WCR2), and bits A5PCW1 and A5PCW0, A5TED2 to A5TED0, and A5TEH2 to A5TEH0 in the PCMCIA

control register (PCR), are selected. When the TC bit to be accessed is set to 1, bits A6W2 to A6W0 in wait control register 2 (WCR2), and bits A6PCW1 and A6PCW0, A6TED2 to A6TED0, and A6TEH2 to A6TEH0 in the PCMCIA control register (PCR), are selected. For the method of setting bits SA2 to SA0 and bit TC for the page to be accessed, see section 3, Memory Management Unit (MMU).

In the SH7750S and SH7750R, the PCMCIA interface can be accessed even when the MMU is not used. When the MMU is off (MMUCR.AT=0), access is always performed by means of bits SA2 to SA0 and bit TC in the page table entry assistance register (PTEA). When the MMU is on (MMUCR.AT=1), the situation is the same as for the SH7750.

In the SH7750 Series, access to a PCMCIA interface area by the DMAC is always performed using the DMAC's CHCRn.SSAn, CHCRn.DSAn, CHCRn.STC, and CHCRn.DTC values.

SA2	SA1	SA0	Description
0	0	0	Reserved (Setting prohibited)
		1	Dynamic I/O bus sizing
	1	0	8-bit I/O space
		1	16-bit I/O space
1	0	0	8-bit common memory
		1	16-bit common memory
	1	0	8-bit attribute memory
		1	16-bit attribute memory

AnPCW1–AnPCW0 specify the number of wait states to be inserted in a low-speed bus cycle; a value of 0, 15, 30, or 50 can be set, and this value is added to the number of wait states for insertion specified by WCR2. AnTED2–AnTED0 can be set to a value from 0 to 15, enabling the address, \overline{CS} , $\overline{CE2A}$, $\overline{CE2B}$, and \overline{REG} setup times with respect to the \overline{RD} and $\overline{WE1}$ signals to be secured. AnTEH2–AnTEH0 can also be set to a value from 0 to 15, enabling the address, \overline{CS} , $\overline{CE2A}$, $\overline{CE2B}$, and \overline{REG} write data hold times with respect to the \overline{RD} and $\overline{WE1}$ signals to be secured.

Wait cycles between cycles are set with bits A5IW2–A5IW0 and A6IW2–A6IW0 in wait control register 1 (WCR1). The inter-cycle write cycles selected depend only on the area accessed (area 5 or 6): when area 5 is accessed, bits A5IW2–A5IW0 are selected, and when area 6 is accessed, bits A6IW2–A6IW0 are selected.

In 32-byte transfer, a total of 32 bytes are transferred consecutively according to the set bus width. The first access is performed on the data for which there was an access request, and the remaining accesses are performed on the data at the 32-byte boundary. The bus is not released during this period.

Table 13.18 Relationship between Address and CE when Using PCMCIA Interface

Bus Width (Bits)	Read/Write	Access Size (Bits) ^{*)}	Odd/Even	IOIS16	Access	CE2	CE1	A0	D15–D8	D7–D0
8	Read	8	Even	Don't care	—	1	0	0	Invalid	Read data
			Odd	Don't care	—	1	0	1	Invalid	Read data
		16	Even	Don't care	First	1	0	0	Invalid	Lower read data
			Even	Don't care	Second	1	0	1	Invalid	Upper read data
			Odd	Don't care	—	—	—	—	—	—
		Write	8	Even	Don't care	—	1	0	0	Invalid
	Odd			Don't care	—	1	0	1	Invalid	Write data
	16		Even	Don't care	First	1	0	0	Invalid	Lower write data
		Even	Don't care	Second	1	0	1	Invalid	Upper write data	
		Odd	Don't care	—	—	—	—	—	—	
16	Read	8	Even	Don't care	—	1	0	0	Invalid	Read data
			Odd	Don't care	—	0	1	1	Read data	Invalid
		16	Even	Don't care	—	0	0	0	Upper read data	Lower read data
			Odd	Don't care	—	—	—	—	—	—
	Write	8	Even	Don't care	—	1	0	0	Invalid	Write data
			Odd	Don't care	—	0	1	1	Write data	Invalid
		16	Even	Don't care	—	0	0	0	Upper write data	Lower write data
			Odd	Don't care	—	—	—	—	—	—

Table 13.18 Relationship between Address and CE when Using PCMCIA Interface (cont)

Bus Width (Bits)	Access Read/Write	Access Size (Bits)* ¹	Odd/Even	IOIS16	Access	CE2	CE1	A0	D15–D8	D7–D0	
Dynamic bus sizing* ²	Read	8	Even	0	—	1	0	0	Invalid	Read data	
			Odd	0	—	0	1	1	Read data	Invalid	
		16	Even	0	—	0	0	0	Upper read data	Lower read data	
			Odd	0	—	—	—	—	—	—	
		Write	8	Even	0	—	1	0	0	Invalid	Write data
				Odd	0	—	0	1	1	Write data	Invalid
	16		Even	0	—	0	0	0	Upper write data	Lower write data	
			Odd	0	—	—	—	—	—	—	
	Read		8	Even	1	—	1	0	0	Invalid	Read data
				Odd	1	First	0	1	1	Ignored	Invalid
		Odd		1	Second	1	0	1	Invalid	Read data	
		16		Even	1	First	0	0	0	Invalid	Lower read data
				Even	1	Second	1	0	1	Invalid	Upper read data
				Odd	1	—	—	—	—	—	—
		Write	8	Even	1	—	1	0	0	Invalid	Write data
				Odd	1	First	0	1	1	Invalid	Write data
				Odd	1	Second	1	0	1	Invalid	Write data
			16	Even	1	First	0	0	0	Upper write data	Lower write data
Even				1	Second	1	0	1	Invalid	Upper write data	
Odd				1	—	—	—	—	—	—	

Notes: *1 In 32-bit/64-bit/32-byte transfer, the above accesses are repeated, with address incrementing performed automatically according to the bus width, until the transfer data size is reached.

*2 PCMCIA I/O card interface only

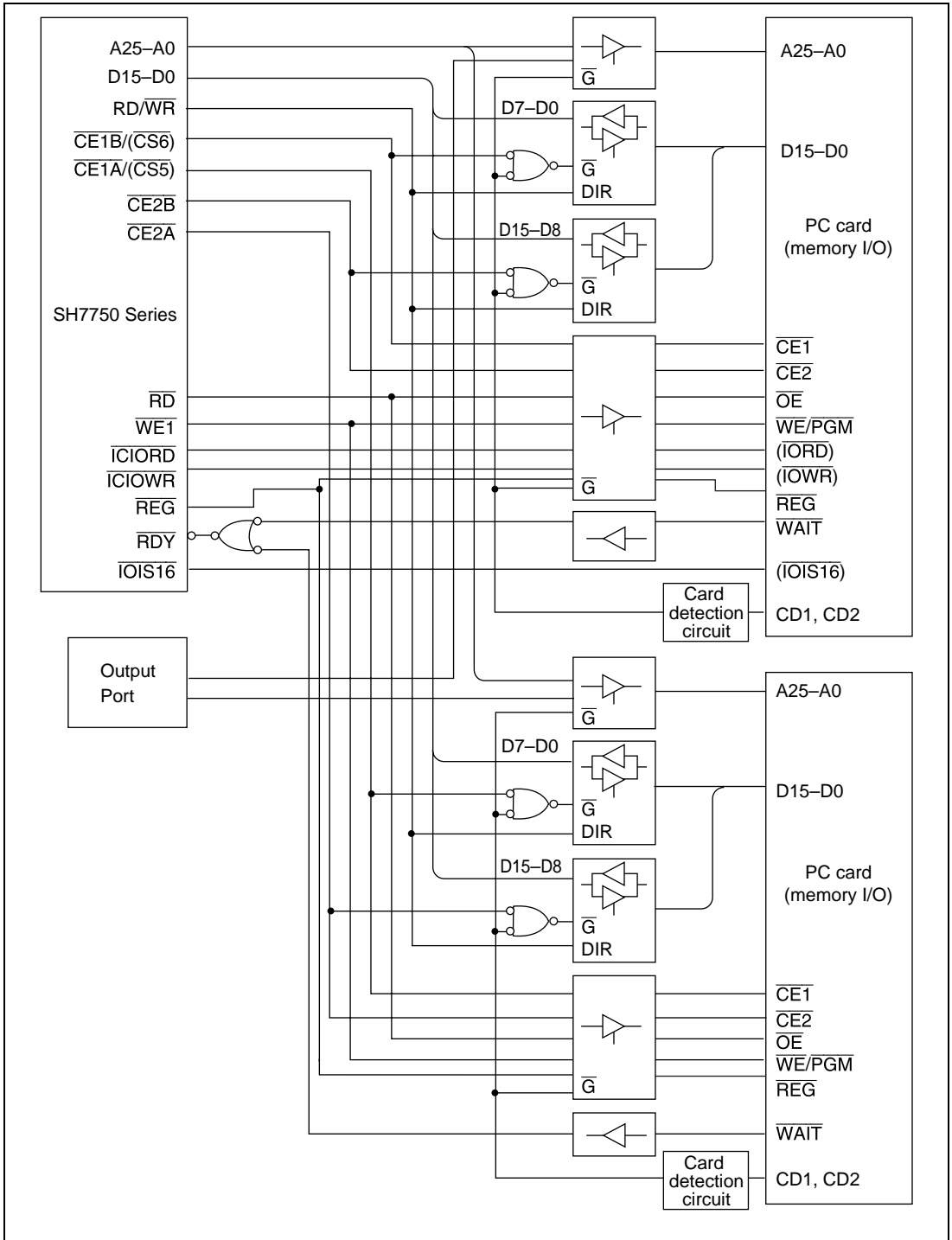


Figure 13.49 Example of PCMCIA Interface

Memory Card Interface Basic Timing: Figure 13.50 shows the basic timing for the PCMCIA IC memory card interface, and figure 13.51 shows the PCMCIA memory card interface wait timing.

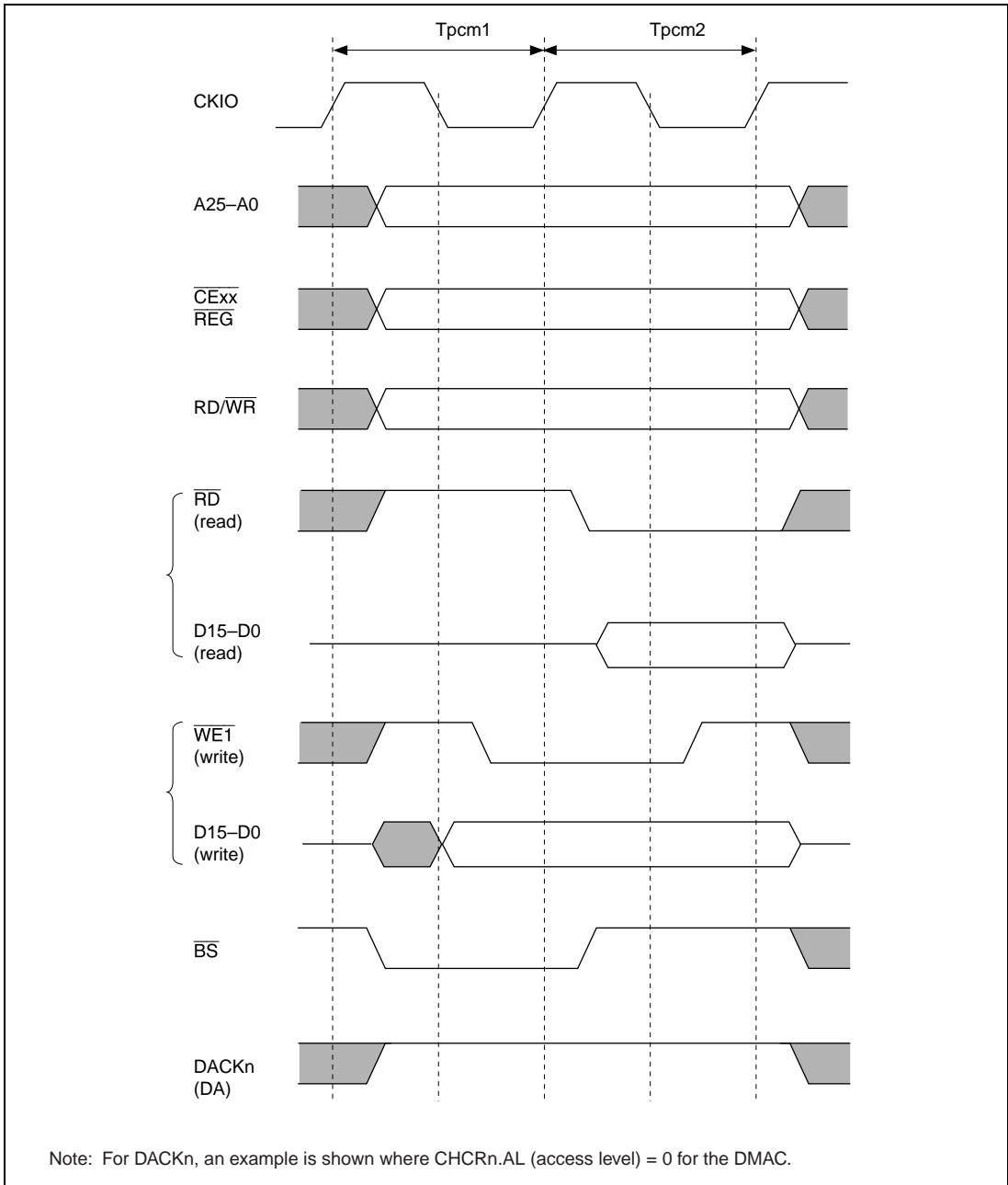
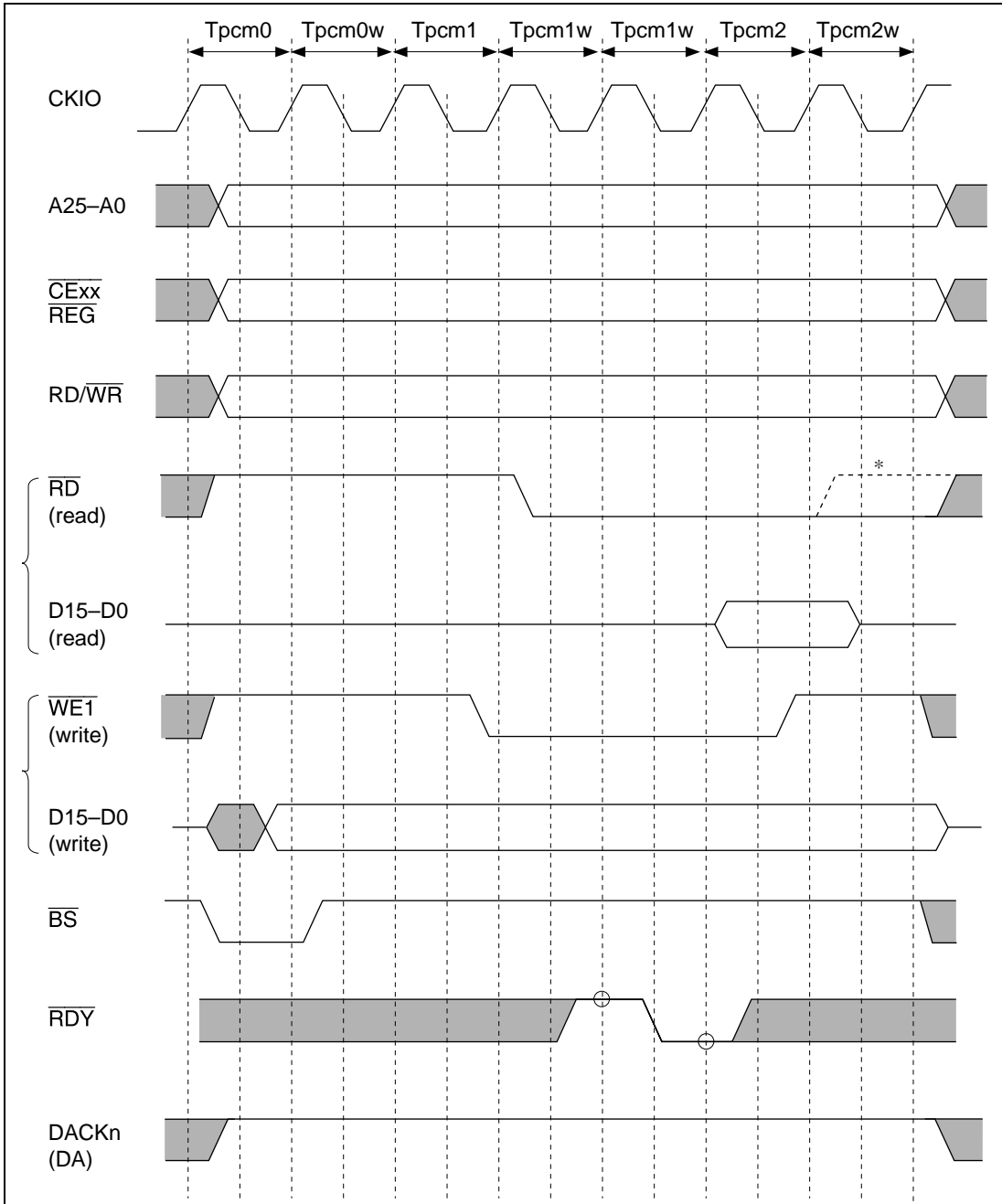


Figure 13.50 Basic Timing for PCMCIA Memory Card Interface



Notes: For DACKn, an example is shown where CHCRn.AL (access level) = 0 for the DMAC.
 * SH7750S, SH7750R only

Figure 13.51 Wait Timing for PCMCIA Memory Card Interface

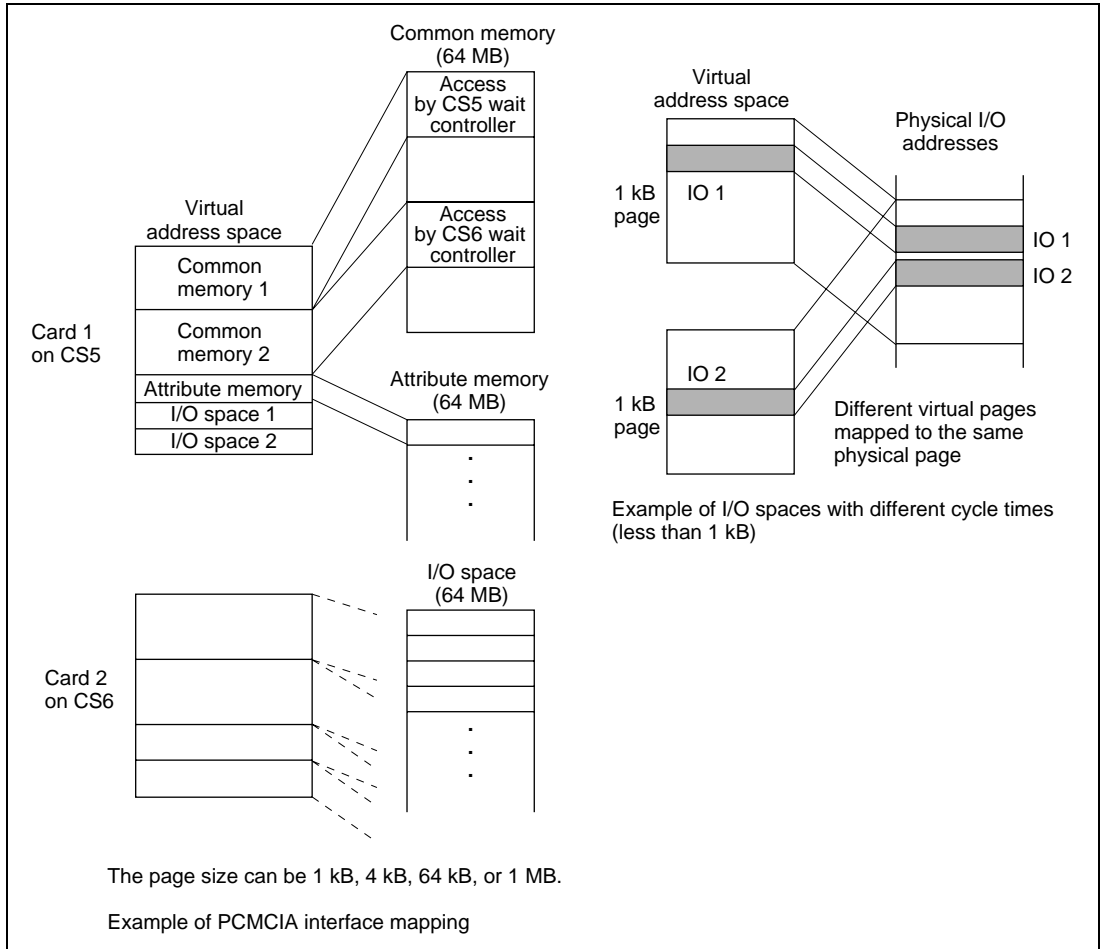
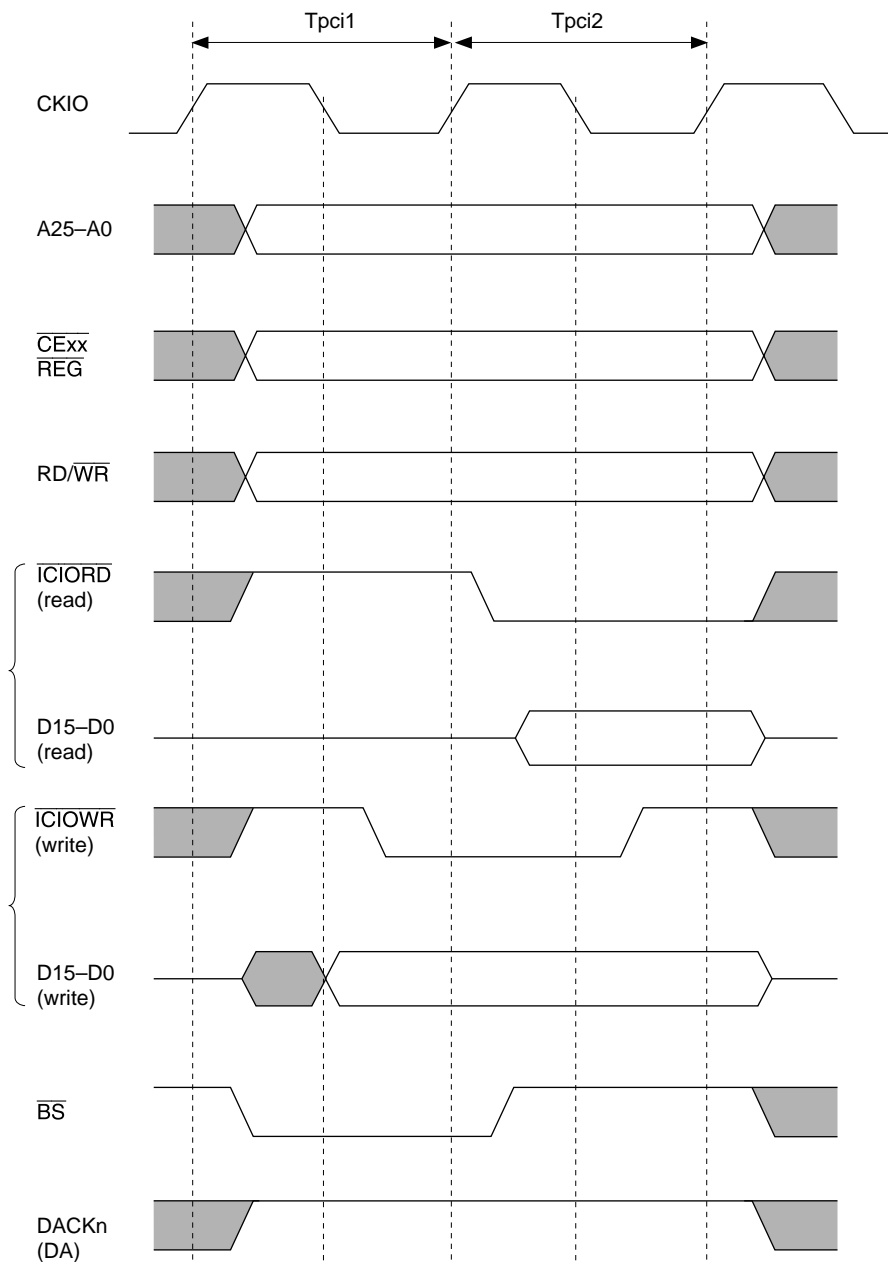


Figure 13.52 PCMCIA Space Allocation

I/O Card Interface Timing: Figures 13.53 and 13.54 show the timing for the PCMCIA I/O card interface.

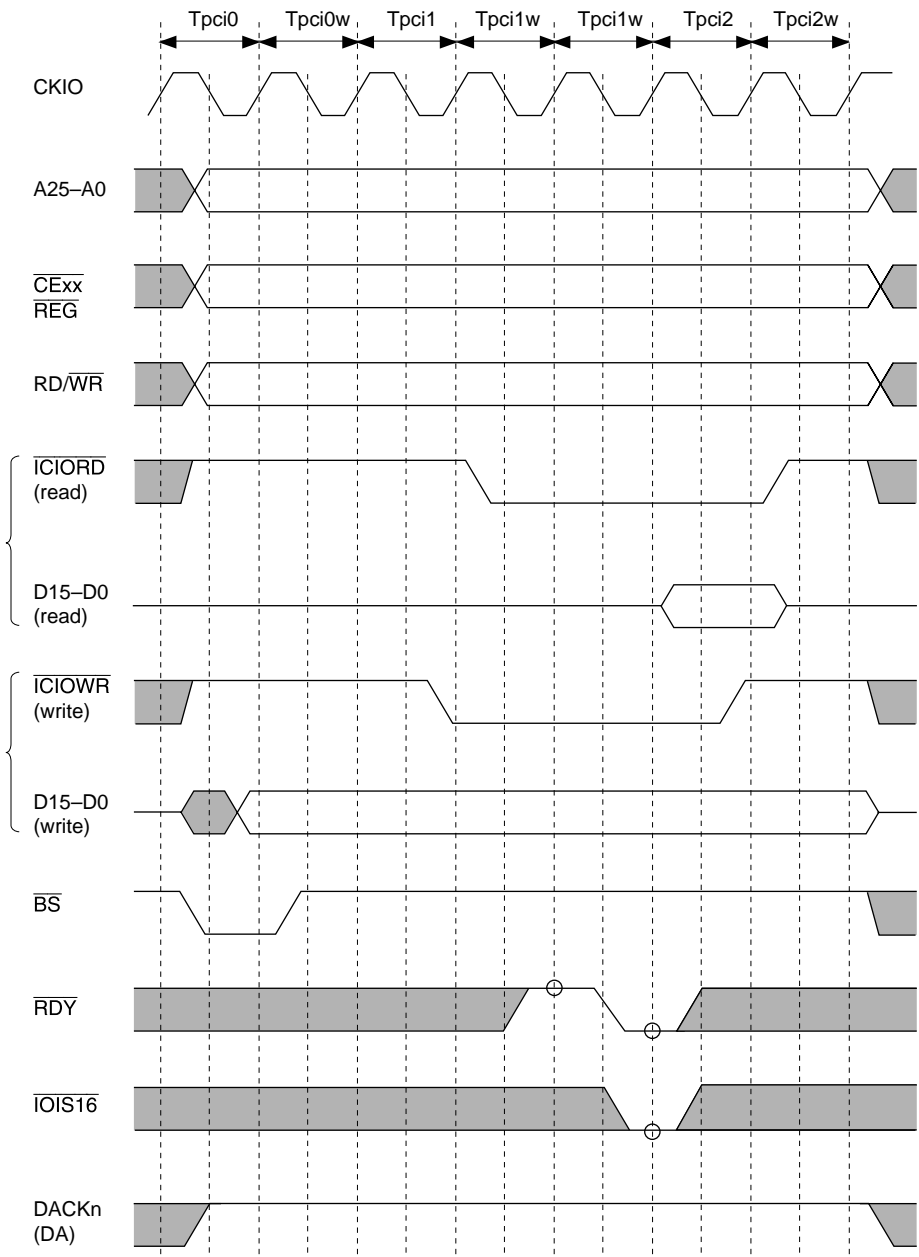
When an I/O card interface access is made to a PCMCIA card in little-endian mode, dynamic sizing of the I/O bus width is possible using the $\overline{\text{IOIS16}}$ pin. When a 16-bit bus width is set, if the $\overline{\text{IOIS16}}$ signal is high during a word-size I/O bus cycle, the I/O port is recognized as being 8 bits in width. In this case, a data access for only 8 bits is performed in the I/O bus cycle being executed, followed automatically by a data access for the remaining 8 bits. Dynamic bus sizing is also performed in the case of byte-size access to address $2n + 1$.

Figure 13.55 shows the basic timing for dynamic bus sizing.



Note: For DACKn, an example is shown where CHCRn.AL (access level) = 0 for the DMAC.

Figure 13.53 Basic Timing for PCMCIA I/O Card Interface



Note: For DACKn, an example is shown where CHCRn.AL (access level) = 0 for the DMAC.

Figure 13.54 Wait Timing for PCMCIA I/O Card Interface

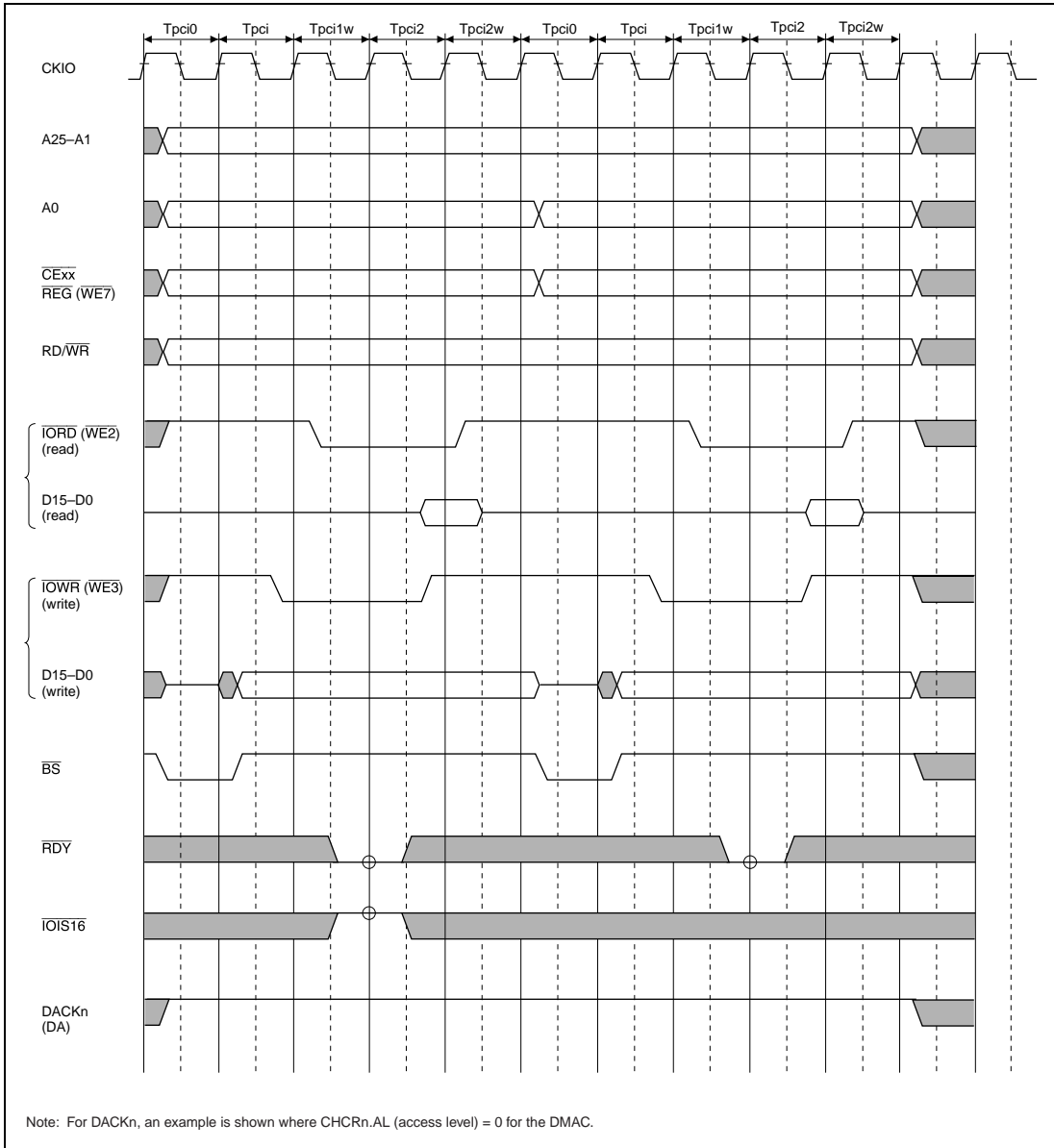


Figure 13.55 Dynamic Bus Sizing Timing for PCMCIA I/O Card Interface

13.3.8 MPX Interface

If the MD6 pin is set to 0 in a power-on reset by the $\overline{\text{RESET}}$ pin, the MPX interface for normal memory is selected for area 0. The MPX interface is selected for areas 1 to 6 by means of the MPX bit in BCR1 and the MEMMODE, A4MPX, and AIMPX bits in BCR3. The MPX interface offers a multiplexed address/data type bus protocol, and permits easy connection to an external memory controller chip that uses a single 32-bit multiplexed address/data bus. A bus cycle consists of an address phase and a data phase. In the address phase, the address information is output to D25–D0, and the access size to D63–D61 and D31–D29*.

The $\overline{\text{BS}}$ signal which indicates the address phase is asserted for one cycle. The $\overline{\text{CSn}}$ signal is asserted at the rise of T_{mi} , and negated after the last data transfer in the data phase. Therefore, a negate period does not exist for access with the minimum pitch. The $\overline{\text{FRAME}}$ signal is asserted at the rise of T_{mi} , and negated when the cycle of the last data transfer starts in the data phase. Therefore, in an external device supporting the MPX interface, the address information and access size output in the address phase must be saved in the external device memory, and data corresponding to the data phase must be input or output.

For details of access sizes and data alignment, see section 13.3.1, Endian/Access Size and Data Alignment.

The address pins output at A25–A0 are undefined.

32-byte transfer performed consecutively for a total of 32 bytes according to the set bus width. The first access is performed on the data for which there was an access request, and the remaining accesses are performed on the data at the 32-byte boundary. When the access size is larger than the data bus width, as in this case, burst access is generated, with the address output once, followed by multiple data cycles. The bus is not released during this period.

Note: * SH7750R only.

D63	D62	D61	Access Size
0	0	0	Byte
		1	Word
	1	0	Longword
		1	Quadword
1	X	X	32-byte burst

X: Don't care

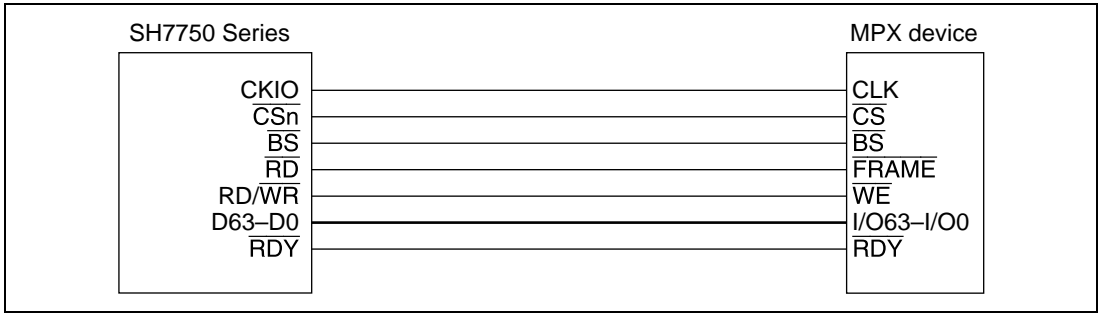


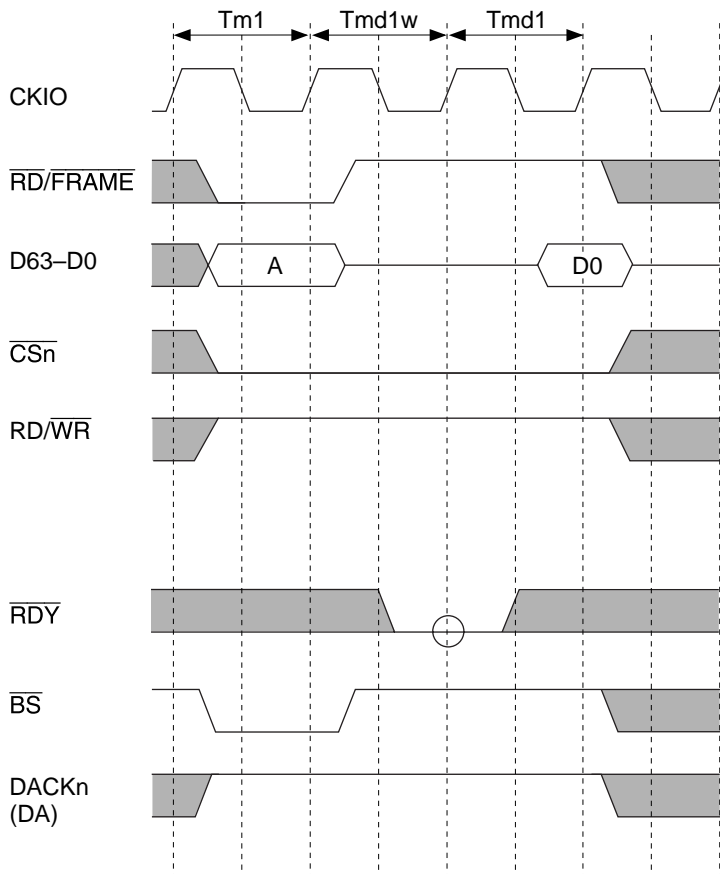
Figure 13.56 Example of 64-Bit Data Width MPX Connection

The MPX interface timing is shown below.

When the MPX interface is used for areas 1 to 6, a bus size of 32 or 64 bits should be specified in BCR2.

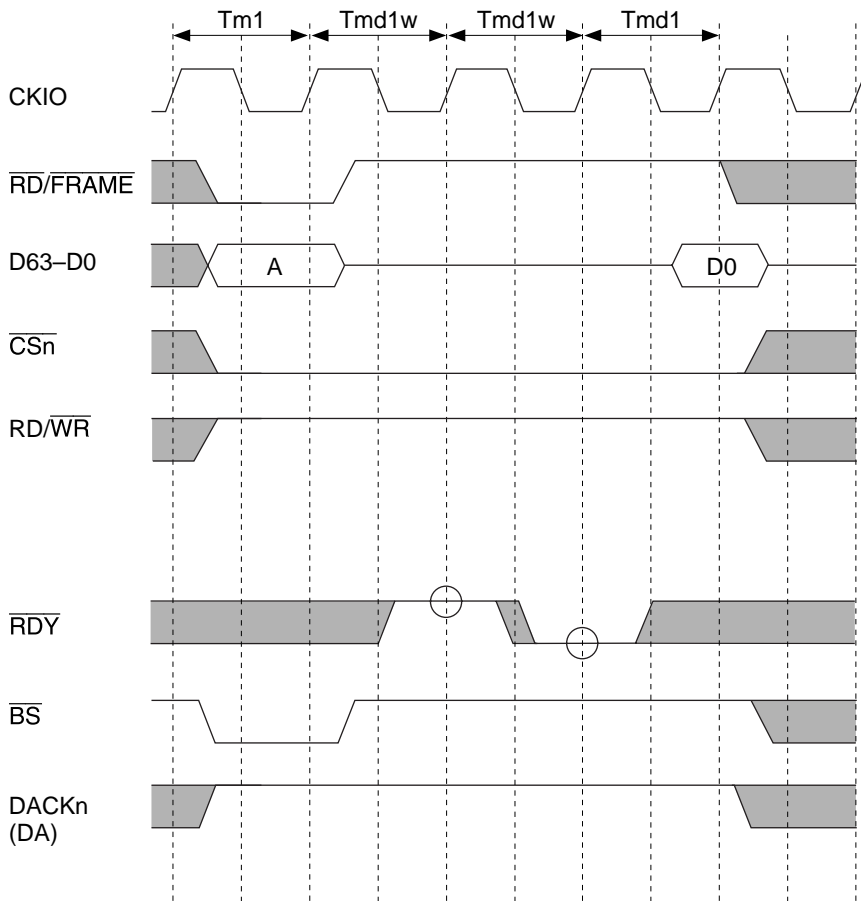
For wait control, waits specified by WCR2 and wait insertion by means of the $\overline{\text{RDY}}$ pin can be used.

In a read, one wait cycle is automatically inserted after address output, even if WCR2 is cleared to 0.



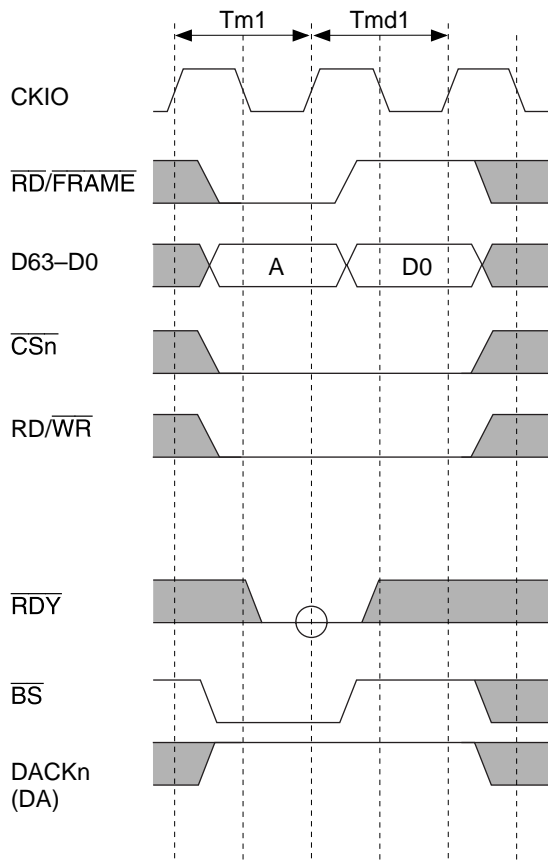
Note: For DACKn, an example is shown where CHCRn.AL (access level) = 0 for the DMAC.

Figure 13.57 MPX Interface Timing 1
(Single Read Cycle, AnW = 0, No External Wait, Bus Width: 64 Bits)



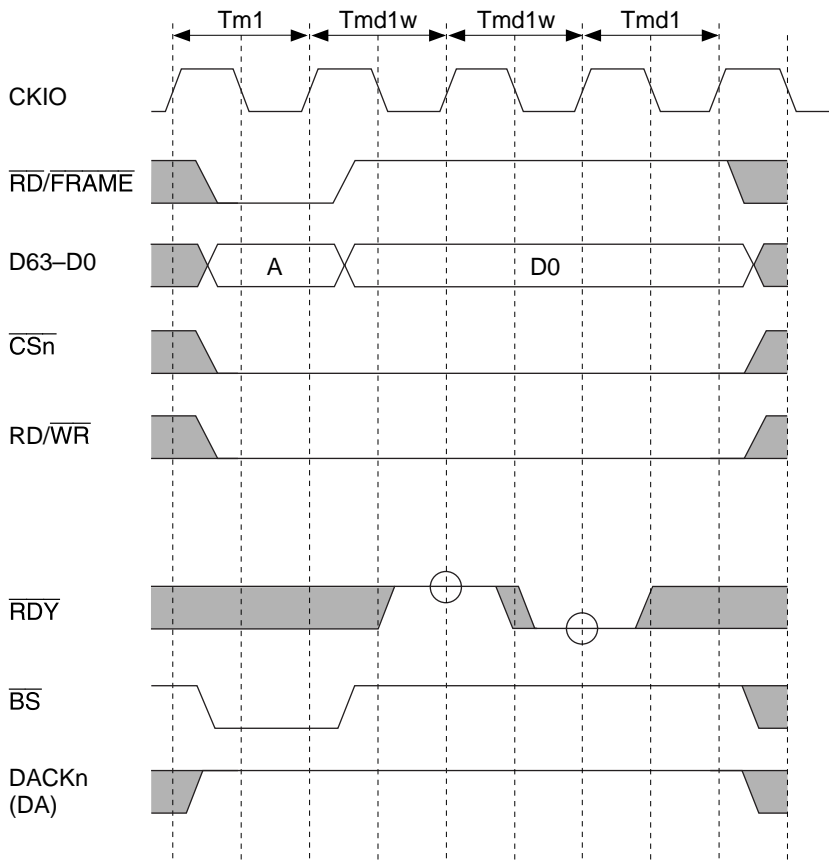
Note: For DACKn, an example is shown where CHCRn.AL (access level) = 0 for the DMAC.

Figure 13.58 MPX Interface Timing 2
(Single Read, AnW = 0, One External Wait Inserted, Bus Width: 64 Bits)



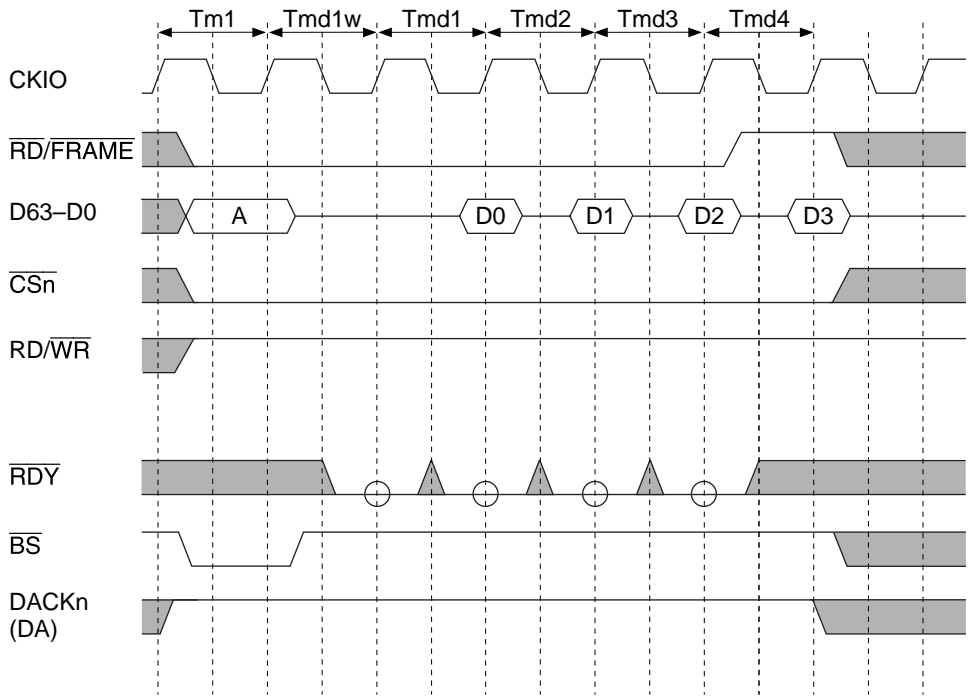
Note: For DACKn, an example is shown where CHCRn.AL (access level) = 0 for the DMAC.

Figure 13.59 MPX Interface Timing 3
(Single Write Cycle, AnW = 0, No Wait, Bus Width: 64 Bits)



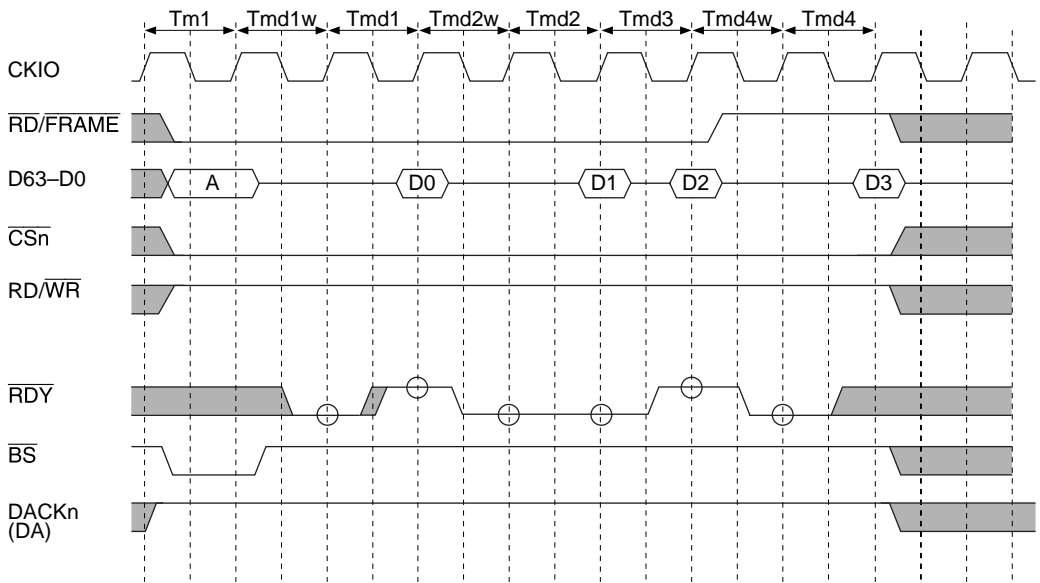
Note: For DACKn, an example is shown where CHCRn.AL (access level) = 0 for the DMAC.

Figure 13.60 MPX Interface Timing 4
(Single Write, AnW = 1, One External Wait Inserted, Bus Width: 64 Bits)



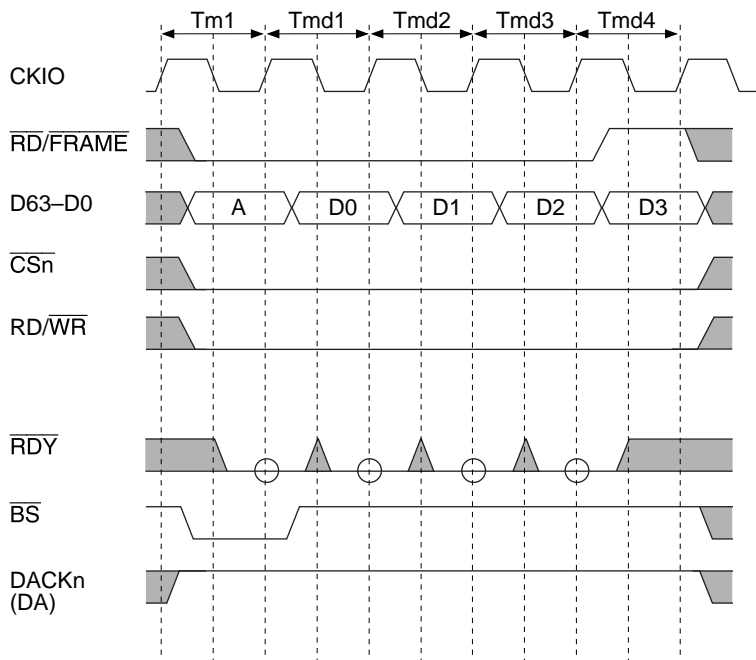
Note: For DACKn, an example is shown where CHCRn.AL (access level) = 0 for the DMAC.

Figure 13.61 MPX Interface Timing 5
(Burst Read Cycle, AnW = 0, No External Wait, Bus Width: 64 Bits,
Transfer Data Size: 32 Bytes)



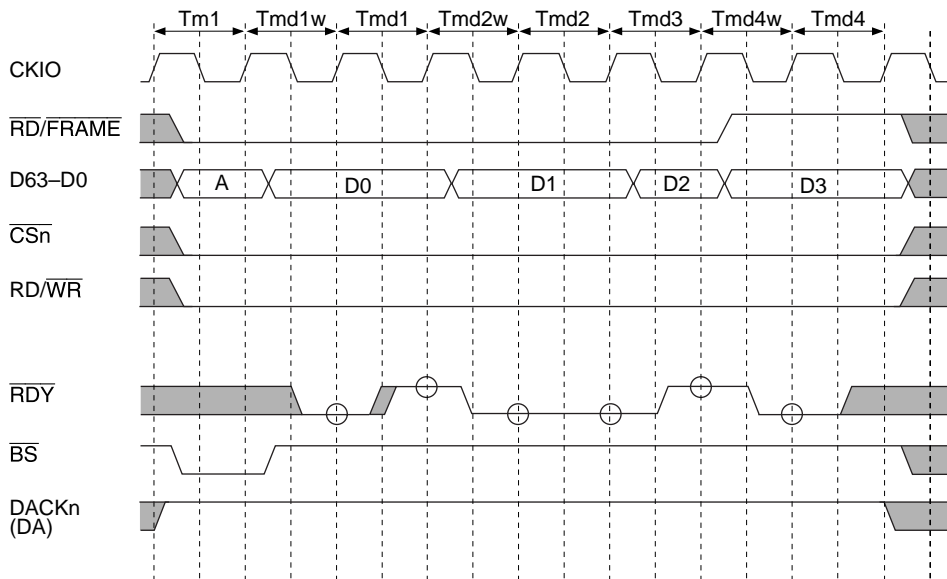
Note: For DACKn, an example is shown where CHCRn.AL (access level) = 0 for the DMAC.

Figure 13.62 MPX Interface Timing 6
(Burst Read Cycle, AnW = 0, External Wait Control, Bus Width: 64 Bits,
Transfer Data Size: 32 Bytes)



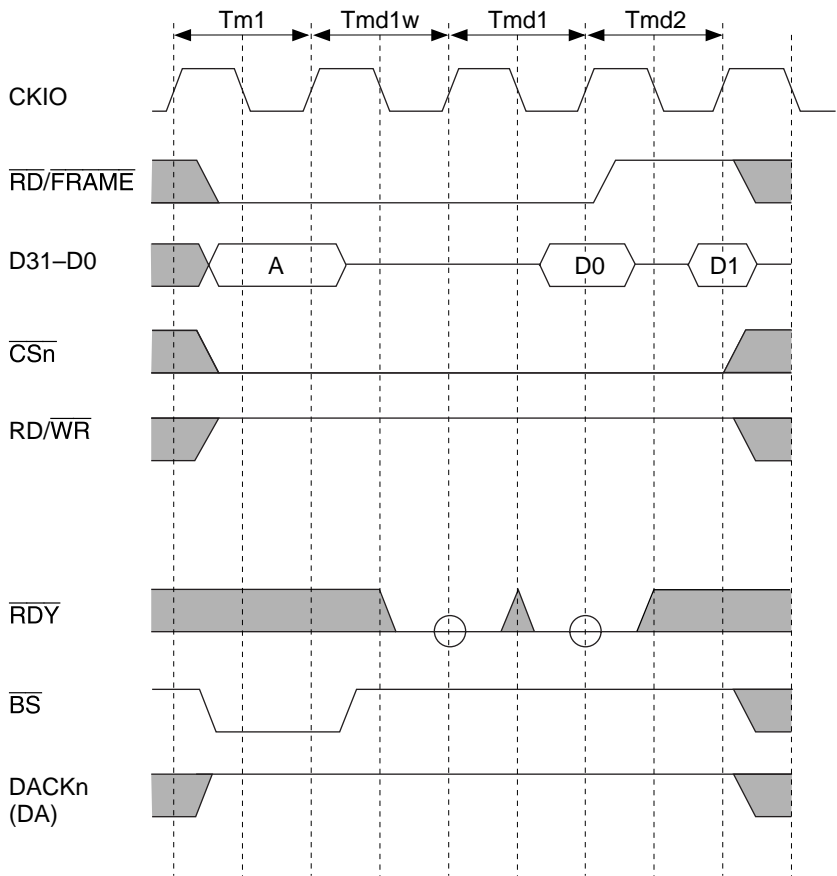
Note: For DACKn, an example is shown where CHCRn.AL (access level) = 0 for the DMAC.

Figure 13.63 MPX Interface Timing 7
(Burst Write Cycle, AnW = 0, No External Wait, Bus Width: 64 Bits,
Transfer Data Size: 32 Bytes)



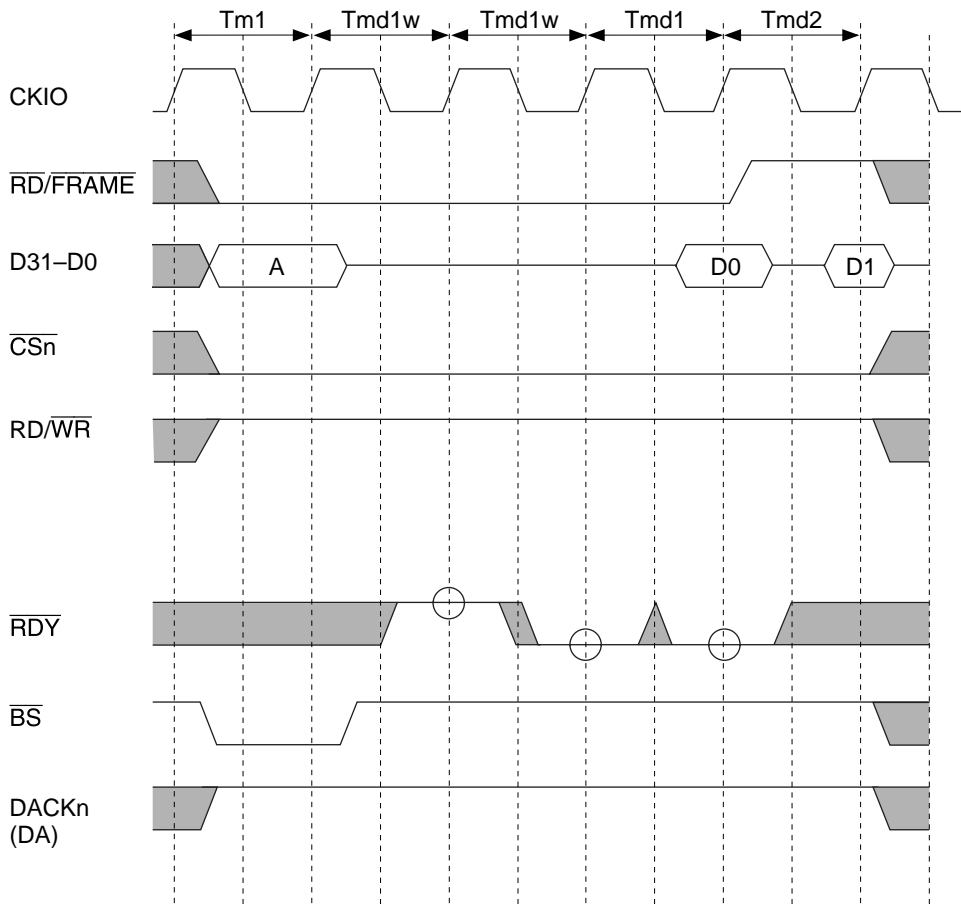
Note: For DACKn, an example is shown where CHCRn.AL (access level) = 0 for the DMAC.

Figure 13.64 MPX Interface Timing 8
(Burst Write Cycle, AnW = 1, External Wait Control, Bus Width: 64 Bits,
Transfer Data Size: 32 Bytes)



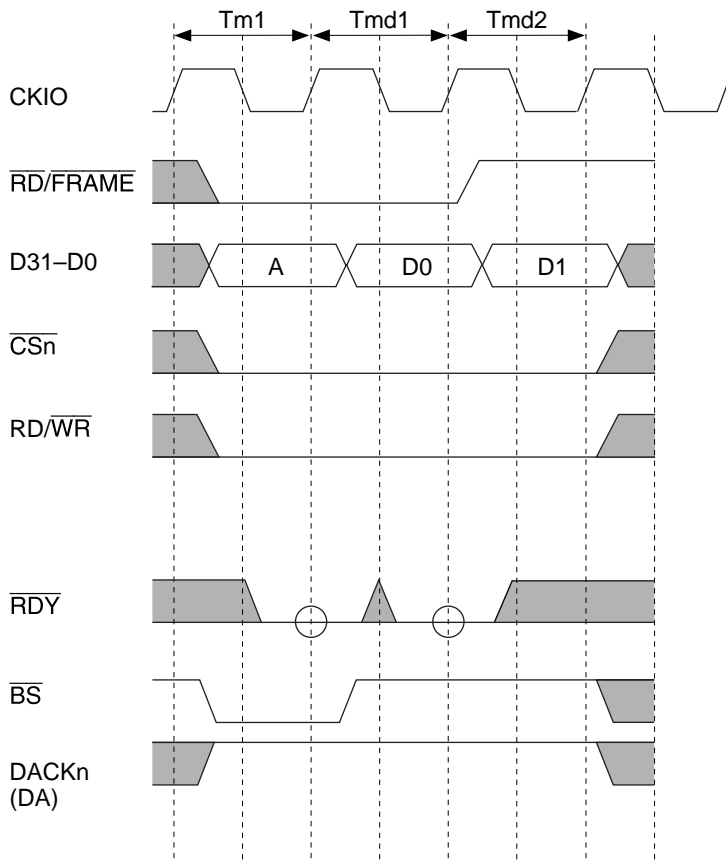
Note: For DACKn, an example is shown where CHCRn.AL (access level) = 0 for the DMAC.

Figure 13.65 MPX Interface Timing 1
(Burst Read Cycle, AnW = 0, No External Wait, Bus Width: 32 Bits, Transfer Data Size: 64 Bytes)



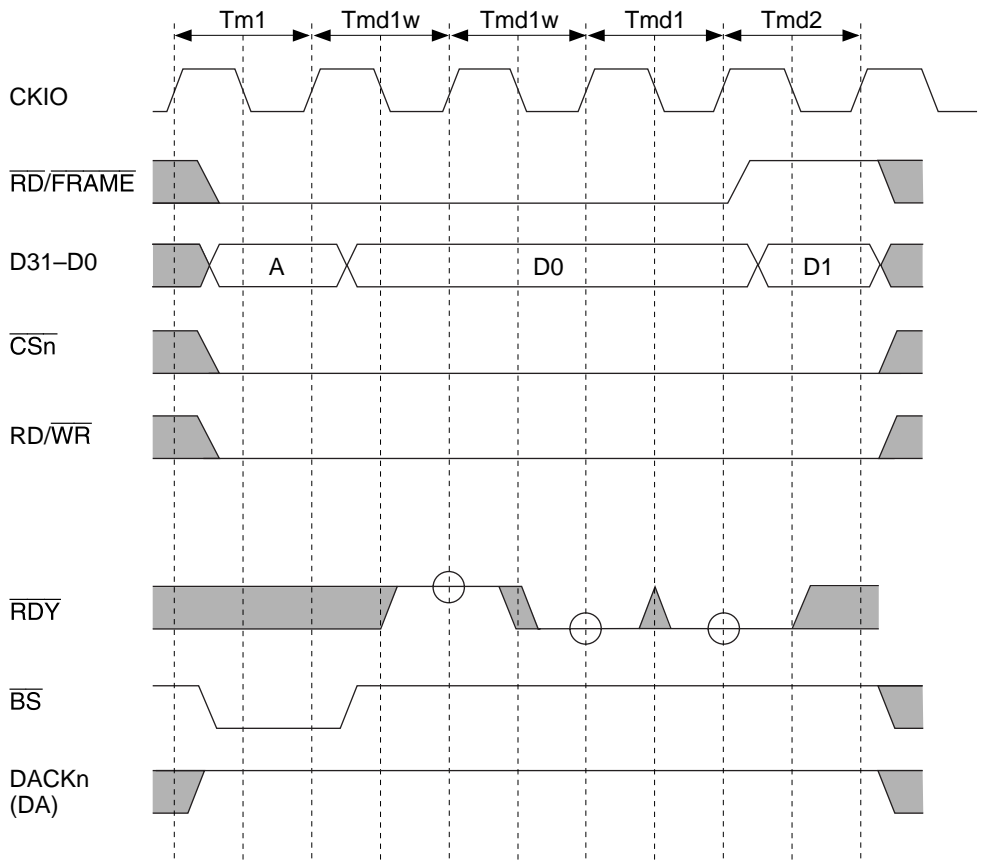
Note: For DACKn, an example is shown where CHCRn.AL (access level) = 0 for the DMAC.

Figure 13.66 MPX Interface Timing 2
(Burst Read Cycle, AnW = 0, One External Wait Inserted, Bus Width: 32 Bits,
Transfer Data Size: 64 Bytes)



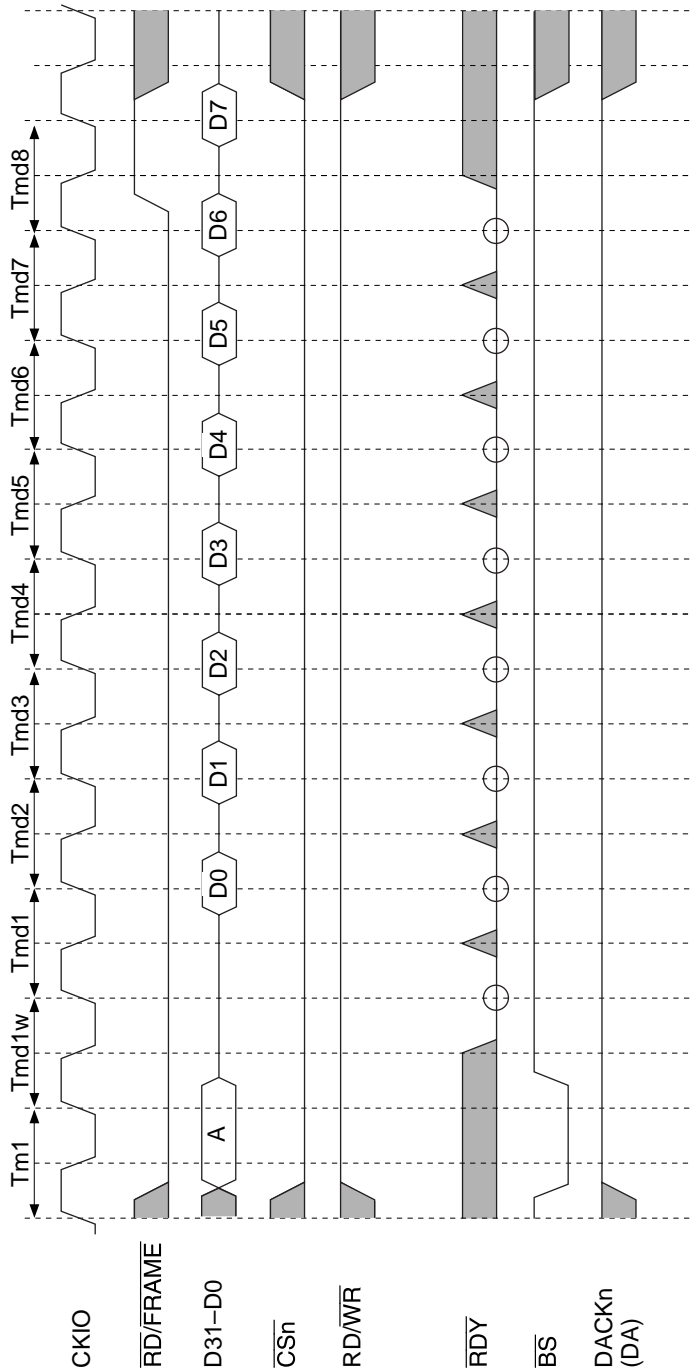
Note: For DACKn, an example is shown where CHCRn.AL (access level) = 0 for the DMAC.

Figure 13.67 MPX Interface Timing 3
(Burst Write Cycle, AnW = 0, No External Wait, Bus Width: 32 Bits,
Transfer Data Size: 64 Bytes)



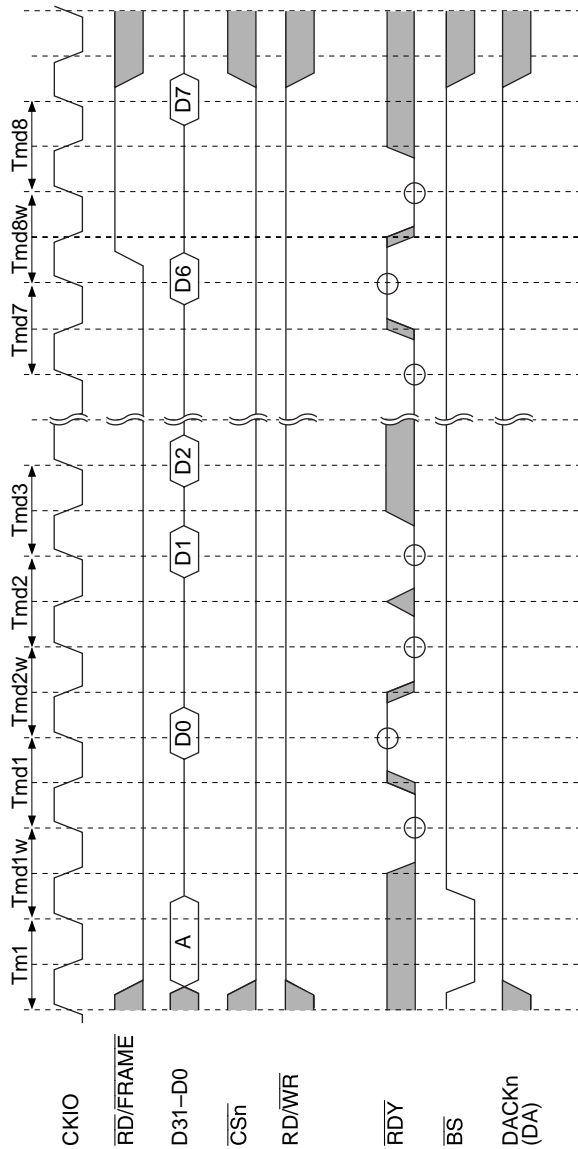
Note: For DACKn, an example is shown where CHCRn.AL (access level) = 0 for the DMAC.

Figure 13.68 MPX Interface Timing 4
(Burst Write Cycle, AnW = 1, One External Wait Inserted, Bus Width: 32 Bits,
Transfer Data Size: 64 Bytes)



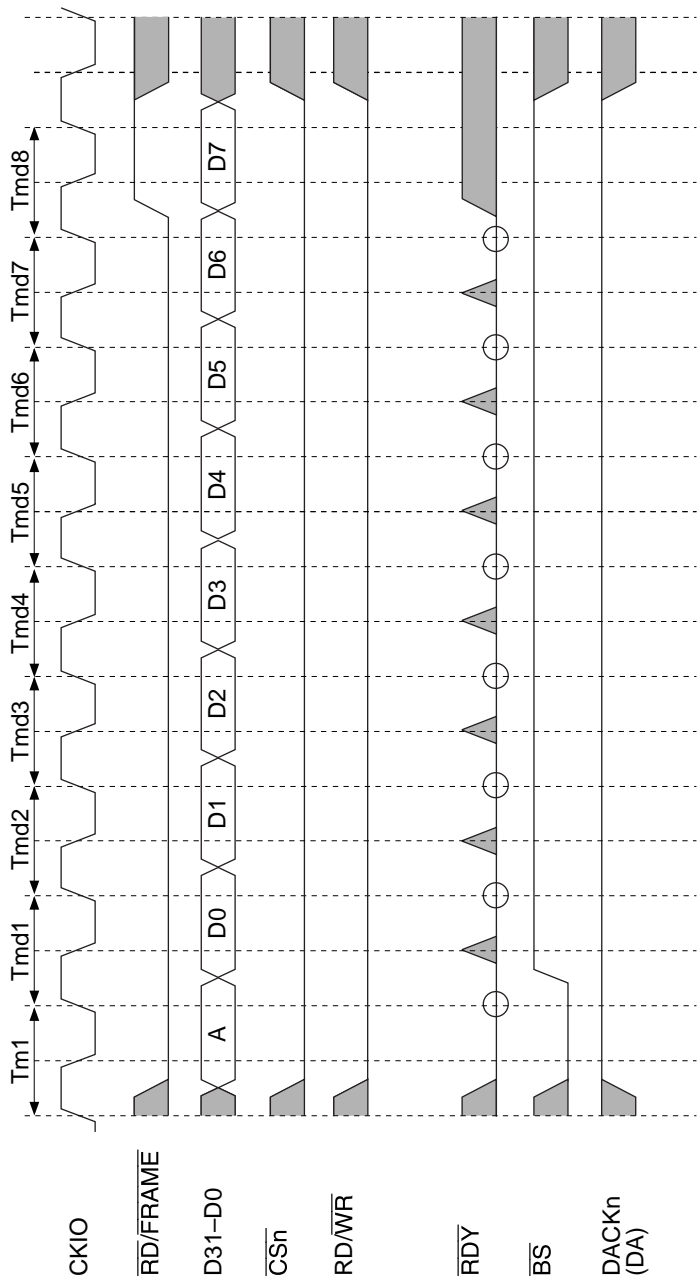
Note: For DACKn, an example is shown where CHCRn.AL (access level) = 0 for the DMAC.

Figure 13.69 MPX Interface Timing 5 (Burst Read Cycle, AnW = 0, No External Wait, Bus Width: 32 Bits, Transfer Data Size: 32 Bytes)



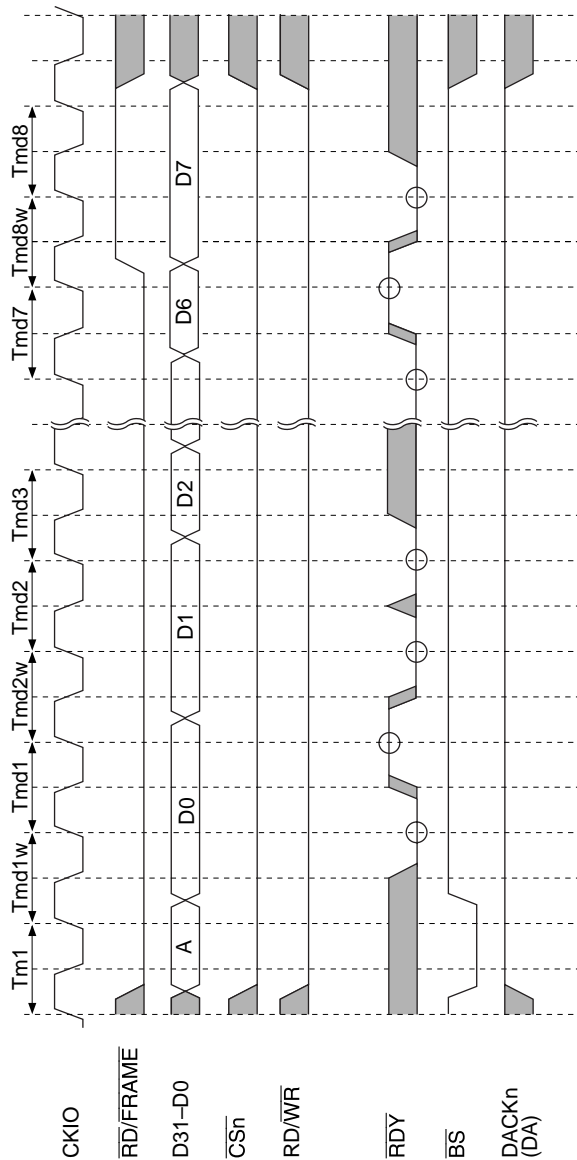
Note: For DACKn, an example is shown where CHCRn.AL (access level) = 0 for the DMAC.

Figure 13.70 MPX Interface Timing 6
(Burst Read Cycle, AnW = 0, External Wait Control, Bus Width: 32 Bits,
Transfer Data Size: 32 Bytes)



Note: For DACKn, an example is shown where CHCRn.AL (access level) = 0 for the DMAC.

Figure 13.71 MPX Interface Timing 7
(Burst Write Cycle, AnW = 0, No External Wait, Bus Width: 32 Bits,
Transfer Data Size: 32 Bytes)



Note: For DACKn, an example is shown where CHCRn.AL (access level) = 0 for the DMAC.

Figure 13.72 MPX Interface Timing 8
 (Burst Write Cycle, AnW = 1, External Wait Control, Bus Width: 32 Bits,
 Transfer Data Size: 32 Bytes)

13.3.9 Byte Control SRAM Interface

The byte control SRAM interface is a memory interface that outputs a byte select strobe ($\overline{\text{WEn}}$) in both read and write bus cycles. It has 16 bit data pins, and can be connected to SRAM which has an upper byte select strobe and lower byte select strobe function such as UB and LB.

Areas 1 and 4 can be designated as byte control SRAM interface. However, when these areas are set to MPX mode, MPX mode has priority.

The byte control SRAM interface write timing is the same as for the normal SRAM interface.

In read operations, the $\overline{\text{WEn}}$ pin timing is different. In a read access, only the $\overline{\text{WE}}$ signal for the byte being read is asserted. Assertion is synchronized with the fall of the CKIO clock, as for the $\overline{\text{WE}}$ signal, while negation is synchronized with the rise of the CKIO clock, using the same timing as the $\overline{\text{RD}}$ signal.

In 32-byte transfer such as a cache fill or copy-back, a total of 32 bytes are transferred consecutively according to the set bus width. The first access is performed on the data for which there was an access request, and the remaining accesses are performed on the data at the 32-byte boundary. The bus is not released during this period.

Figure 13.73 shows an example of byte control SRAM connection to the SH7750, and figures 13.74 to 13.76 show examples of byte control SRAM read cycle.

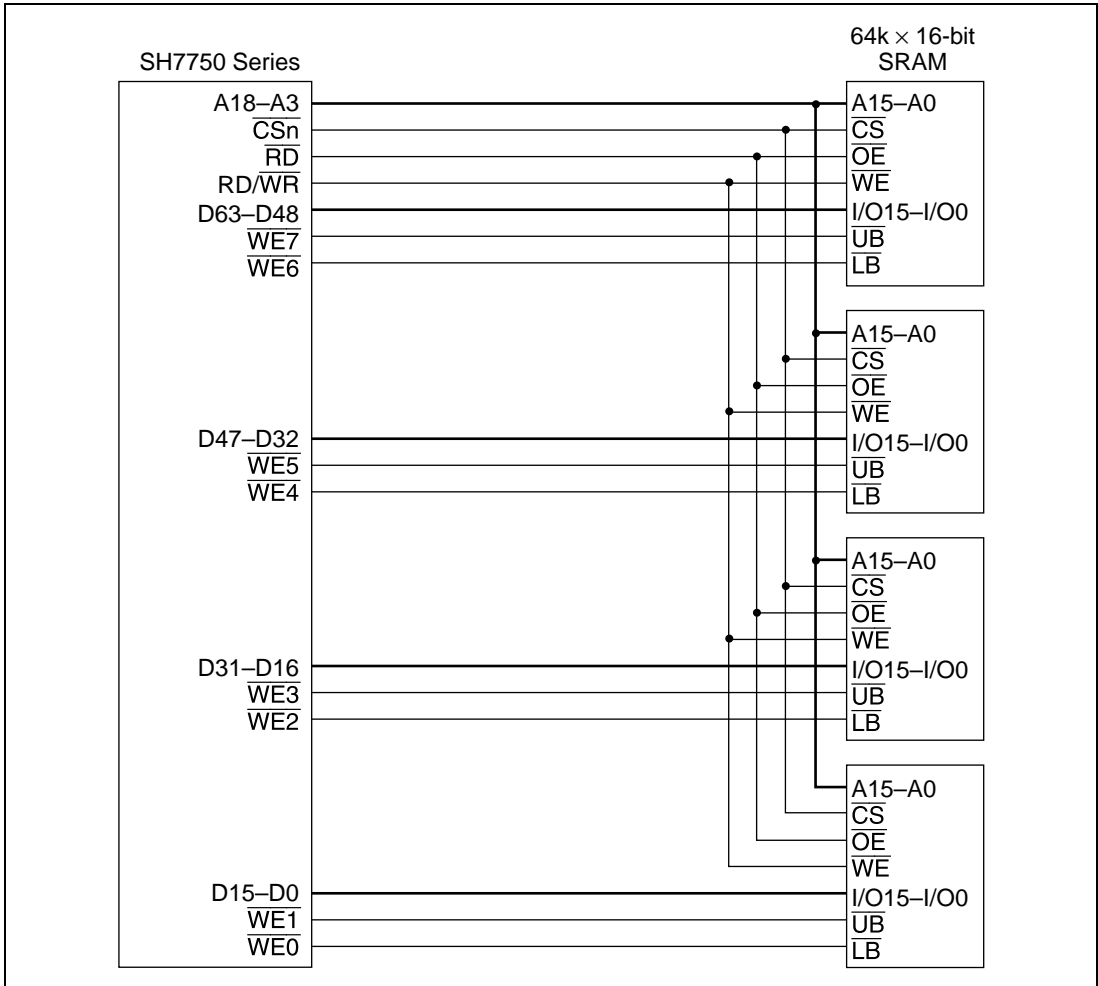
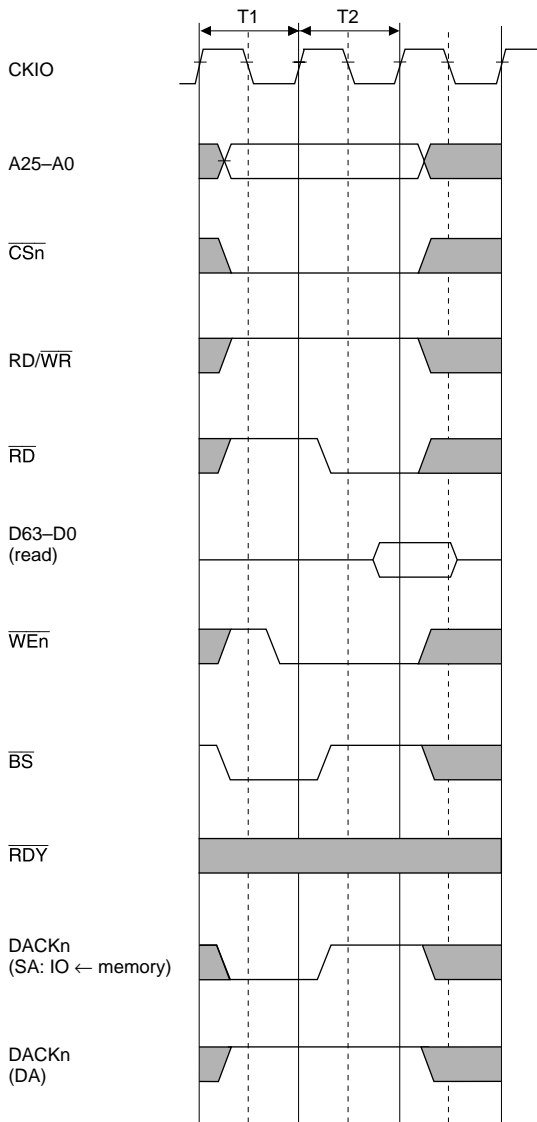
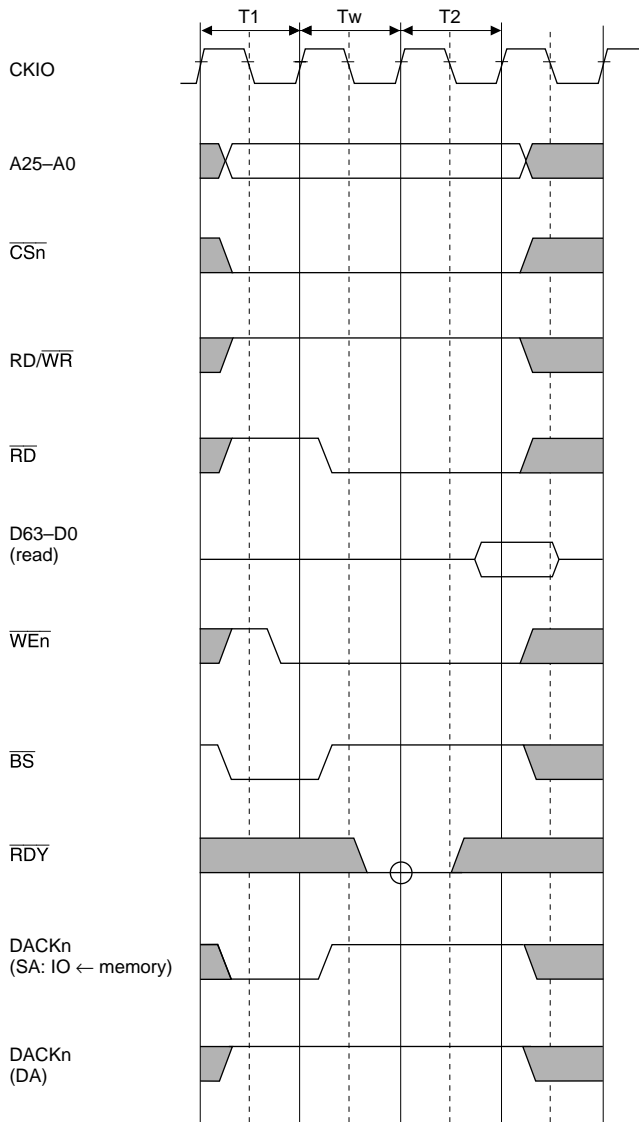


Figure 13.73 Example of 64-Bit Data Width Byte Control SRAM



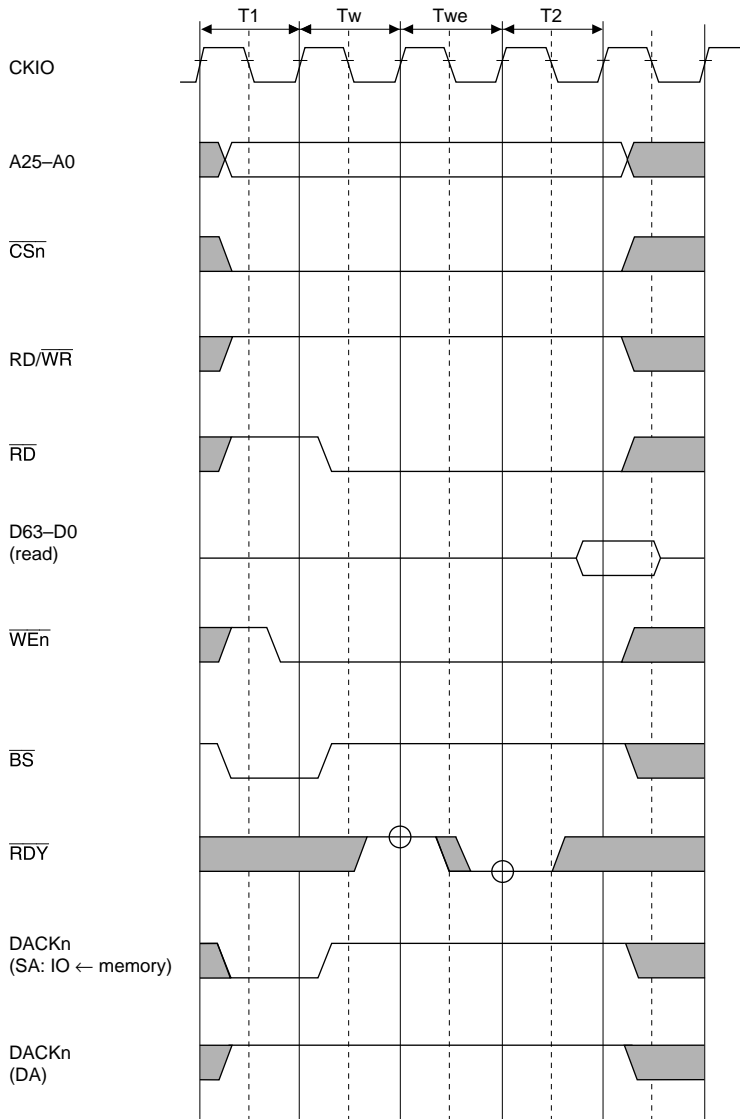
Note: For DACK_n, an example is shown where CHCR_n.AL (access level) = 0 for the DMAC.

Figure 13.74 Byte Control SRAM Basic Read Cycle (No Wait)



Note: For DACK_n, an example is shown where CHCR_n.AL (access level) = 0 for the DMAC.

Figure 13.75 Byte Control SRAM Basic Read Cycle (One Internal Wait Cycle)



Note: For DACKn, an example is shown where CHCRn.AL (access level) = 0 for the DMAC.

Figure 13.76 Byte Control SRAM Basic Read Cycle (One Internal Wait + One External Wait)

13.3.10 Waits between Access Cycles

A problem associated with higher external memory bus operating frequencies is that data buffer turn-off on completion of a read from a low-speed device may be too slow, causing a collision with the data in the next access, and so resulting in lower reliability or incorrect operation. To avoid this problem, a data collision prevention feature has been provided. This memorizes the preceding access area and the kind of read/write, and if there is a possibility of a bus collision when the next access is started, inserts a wait cycle before the access cycle to prevent a data collision. Wait cycle insertion consists of inserting idle cycles between access cycles, as shown in section 13.2.5, Wait Control Register (WCR1). When the SH7750 Series performs consecutive write cycles, the data transfer direction is fixed (from the SH7750 Series to other memory) and there is no problem. With read accesses to the same area, also, in principle data is output from the same data buffer, and wait cycle insertion is not performed. If there is originally space between accesses, according to the setting of bits AnIW2–AnIW0 ($n = 0$ to 6) in WCR1, the number of idle cycles inserted is the specified number of idle cycles minus the number of empty cycles.

When bus arbitration is performed, the bus is released after waits are inserted between cycles.

In single address mode DMA transfer, when data transfer is performed from an I/O device to memory the data on the bus is determined by the speed of the I/O device. With a low-speed I/O device, an inter-cycle idle wait equivalent to the output buffer turn-off time must be inserted. Even with high-speed memory, when DMA transfer is considered, it may be necessary to insert an inter-cycle wait to adjust to the speed of a low-speed device, preventing the memory from being used at full speed.

Bits DMAIW2–DMAIW0 in wait control register 1 (WCR1) allow an inter-cycle wait setting to be made when transferring data from an I/O device to memory using single address mode DMA transfer. From 0 to 15 waits can be inserted. The number of waits specified by DMAIW2–DMAIW0 are inserted in single address DMA transfers to all areas.

In dual address mode DMA transfer, the normal inter-cycle wait specified by AnIW2–AnIW0 ($n = 0$ to 6) is inserted.

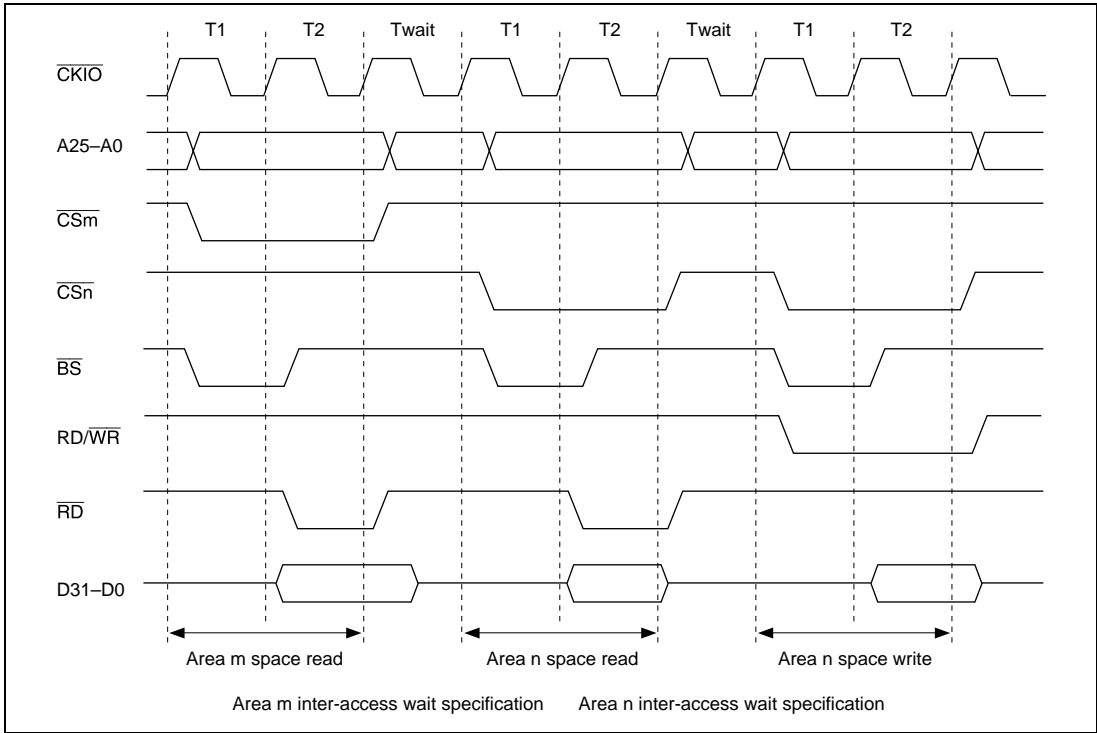


Figure 13.77 Waits between Access Cycles

13.3.11 Bus Arbitration

The SH7750 Series is provided with a bus arbitration function that grants the bus to an external device when it makes a bus request.

There are three bus arbitration modes: master mode, partial-sharing master mode, and slave mode. In master mode the bus is held on a constant basis, and is released to another device in response to a bus request. In slave mode the bus is not held on a constant basis; a bus request is issued each time an external bus cycle occurs, and the bus is released again at the end of the access. In partial-sharing master mode, only area 2 is shared with external devices; slave mode is in effect for area 2, while for other spaces, bus arbitration is not performed and the bus is held constantly. The area in the master mode chip to which area 2 in the partial-sharing master mode chip is allocated is determined by an external circuit.

Master mode and slave mode can be specified by the external mode pins. Partial-sharing master mode is entered from master mode by means of a software setting. See Appendix C, Mode Pin Settings, for the external mode pin settings. In master mode and slave mode, the bus goes to the high-impedance state when not being held. In partial-sharing master mode, the bus is constantly driven, and therefore an external buffer is necessary for connection to the master bus. In master mode, it is possible to connect an external device that issues bus requests instead of a slave mode chip. In the following description, an external device that issues bus requests is also referred to as a slave.

The SH7750 Series has two internal bus masters: the CPU and the DMAC. When synchronous DRAM or DRAM is connected and refresh control is performed, refresh requests constitute a third bus master. In addition to these are bus requests from external devices in master mode. If requests occur simultaneously, priority is given, in high-to-low order, to a bus request from an external device, a refresh request, the DMAC, and the CPU.

To prevent incorrect operation of connected devices when the bus is transferred between master and slave, all bus control signals are negated before the bus is released. When mastership of the bus is received, also, bus control signals begin driving the bus from the negated state. Since signals are driven to the same value by the master and slave exchanging the bus, output buffer collisions can be avoided.

Bus transfer is executed between bus cycles.

When the bus release request signal ($\overline{\text{BREQ}}$) is asserted, the SH7750 Series releases the bus as soon as the currently executing bus cycle ends, and outputs the bus use permission signal ($\overline{\text{BACK}}$). However, bus release is not performed during multiple bus cycles generated because the data bus width is smaller than the access size (for example, when performing longword access to 8-bit bus width memory) or during a 32-byte transfer such as a cache fill or write-back. In addition, bus release is not performed between read and write cycles during execution of a TAS instruction, or between read and write cycles when DMAC dual address transfer is executed. When $\overline{\text{BREQ}}$ is

negated, $\overline{\text{BACK}}$ is negated and use of the bus is resumed. See Appendix E, Pin Functions, for the pin states when the bus is released.

When a refresh request is generated, the SH7750 Series performs a refresh operation as soon as the currently executing bus cycle ends. However, refresh operations are deferred during multiple bus cycles generated because the data bus width is smaller than the access size (for example, when performing longword access to 8-bit bus width memory) and during a 32-byte transfer such as a cache fill or write-back, and also between read and write cycles during execution of a TAS instruction, and between read and write cycles when DMAC dual address transfer is executed. Refresh operations are also deferred in the bus-released state.

If the synchronous DRAM interface is set to the RAS down mode the PALL command is issued before a refresh cycle occurs or before the bus is released by bus arbitration.

As the CPU in the SH7750 Series is connected to cache memory by a dedicated internal bus, reading from cache memory can still be carried out when the bus is being used by another bus master inside or outside the SH7750 Series. When writing from the CPU, an external write cycle is generated when write-through has been set for the cache in the SH7750 Series, or when an access is made to a cache-off area. There is consequently a delay until the bus is returned.

When the SH7750 Series wants to take back the bus in response to an internal memory refresh request, it negates $\overline{\text{BACK}}$. On receiving the $\overline{\text{BACK}}$ negation, the device that asserted the external bus release request negates $\overline{\text{BREQ}}$ to release the bus. The bus is thereby returned to the SH7750 Series, which then carries out the necessary processing.

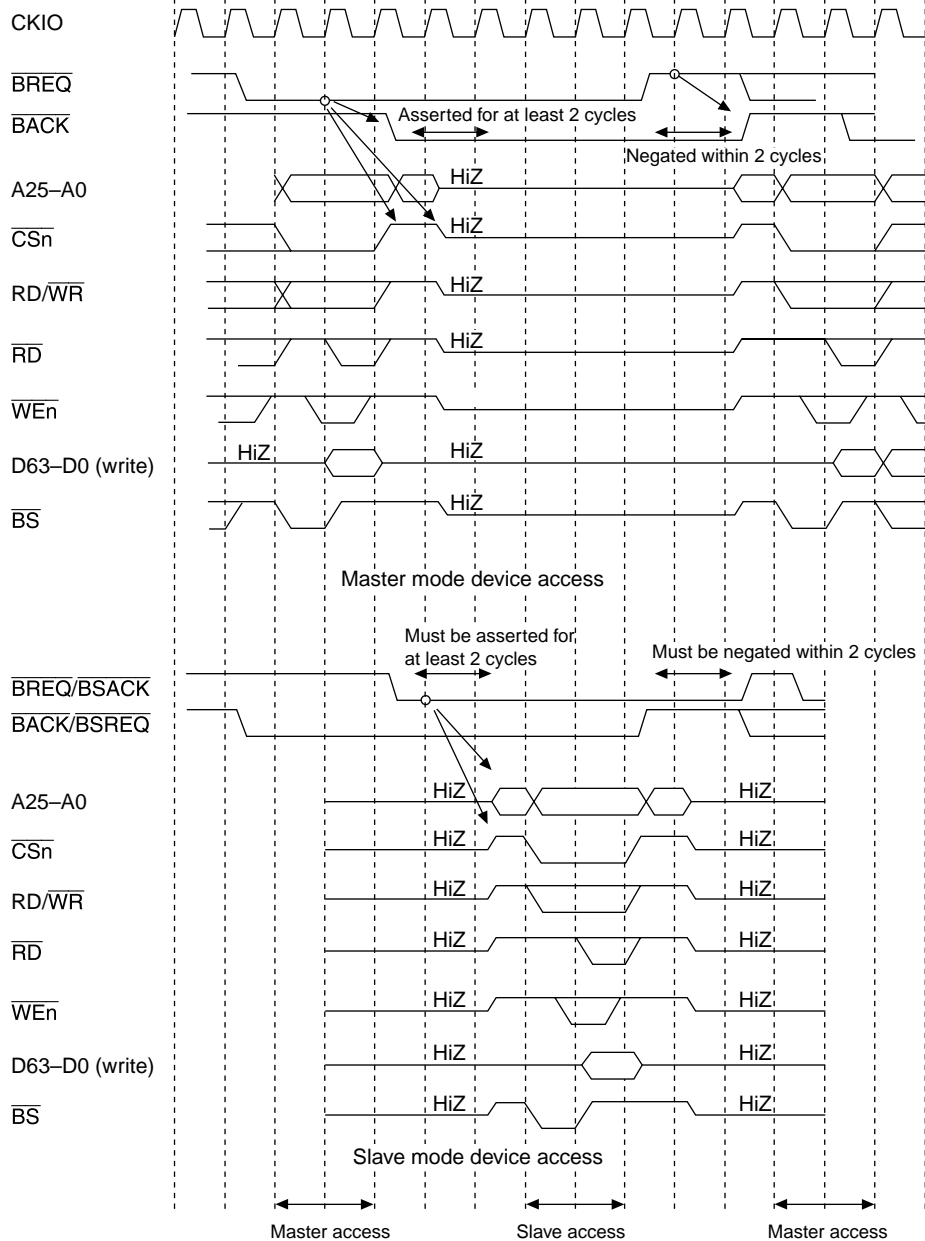


Figure 13.78 Arbitration Sequence

13.3.12 Master Mode

The master mode processor holds the bus itself unless it receives a bus request.

On receiving an assertion (low level) of the bus request signal ($\overline{\text{BREQ}}$) from off-chip, the master mode processor releases the bus and asserts (drives low) the bus use permission signal ($\overline{\text{BACK}}$) as soon as the currently executing bus cycle ends. If a bus release request due to a refresh request has not been issued, on receiving the $\overline{\text{BREQ}}$ negation (high level) indicating that the slave has released the bus, the processor negates (drives high) the $\overline{\text{BACK}}$ signal and resumes use of the bus.

If a bus request is issued due to a memory refresh request in the bus-released state, the processor negates the bus use permission signal ($\overline{\text{BACK}}$), and on receiving the $\overline{\text{BREQ}}$ negation indicating that the slave has released the bus, resumes use of the bus.

When the bus is released, all bus interface related output signals and input/output signals go to the high-impedance state, except for the synchronous DRAM interface CKE signal and bus arbitration $\overline{\text{BACK}}$ signal, and DACK0 and DACK1 which control DMA transfers.

With DRAM, the bus is released after precharging is completed. With synchronous DRAM, also, a precharge command is issued for the active bank and the bus is released after precharging is completed.

The actual bus release sequence is as follows.

First, the bus use permission signal is asserted in synchronization with the rising edge of the clock. The address bus and data bus go to the high-impedance state in synchronization with the next rising edge of the clock after this $\overline{\text{BACK}}$ assertion. At the same time, the bus control signals ($\overline{\text{BS}}$, $\overline{\text{CSn}}$, $\overline{\text{RAS1}}$, $\overline{\text{RAS2}}$, $\overline{\text{WE}}n$, $\overline{\text{RD}}$, $\overline{\text{RD/WR}}$, $\overline{\text{RD2}}$, $\overline{\text{RD/WR2}}$, $\overline{\text{CE2A}}$, and $\overline{\text{CE2B}}$) go to the high-impedance state. These bus control signals are negated no later than one cycle before going to high-impedance. Bus request signal sampling is performed on the rising edge of the clock.

The sequence for re-acquiring the bus from the slave is as follows.

As soon as $\overline{\text{BREQ}}$ negation is detected on the rising edge of the clock, $\overline{\text{BACK}}$ is negated and bus control signal driving is started. Driving of the address bus and data bus starts at the next rising edge of an in-phase clock. The bus control signals are asserted and the bus cycle is actually started, at the earliest, at the clock rising edge at which the address and data signals are driven.

In order to reacquire the bus and start execution of a refresh operation or bus access, the $\overline{\text{BREQ}}$ signal must be negated for at least two cycles.

If a refresh request is generated when $\overline{\text{BACK}}$ has been asserted and the bus has been released, the $\overline{\text{BACK}}$ signal is negated even while the $\overline{\text{BREQ}}$ signal is asserted to request the slave to relinquish the bus. When the SH7750 Series is used in master mode, consecutive bus accesses may be attempted to reduce the overhead due to arbitration in the case of a slave designed independently

by the user. When connecting a slave for which the total duration of consecutive accesses exceeds the refresh cycle, the design should provide for the bus to be released as soon as possible after negation of the $\overline{\text{BACK}}$ signal is detected.

13.3.13 Slave Mode

In slave mode, the bus is normally in the released state, and an external device cannot be accessed unless the bus is acquired through execution of the bus arbitration sequence. In a reset, also, the bus-released state is established and the bus arbitration sequence is started from the reset vector fetch.

To acquire the bus, the slave device asserts (drives low) the $\overline{\text{BSREQ}}$ signal in synchronization with the rising edge of the clock. The bus use permission $\overline{\text{BSACK}}$ signal is sampled for assertion (low level) in synchronization with the rising edge of the clock. When $\overline{\text{BSACK}}$ assertion is detected, the bus control signals and address bus are immediately driven at the negated level. The bus cycle is started at the next rising edge of the clock. The last signal negated at the end of the access cycle is synchronized with the rising edge of the clock. When the bus cycle ends, the $\overline{\text{BSREQ}}$ signal is negated and the release of the bus is reported to the master. On the next rising edge of the clock, the control signals are set to high-impedance.

In order for the slave mode processor to begin access, the $\overline{\text{BSACK}}$ signal must be asserted for at least two cycles.

For a slave access cycle in DRAM or synchronous DRAM, the bus is released on completion of precharging, as in the case of the master.

Refresh control is left to the master mode device, and any refresh control settings made in slave mode are ignored.

Do not use DRAM/synchronous DRAM RAS down mode in slave mode.

Synchronous DRAM mode register settings should be made by the master mode device. Do not use the DMAC's DDT mode in slave mode.

13.3.14 Partial-Sharing Master Mode

In partial-sharing master mode, area 2 only is shared with other devices, and other areas can be accessed at all times. Partial-sharing master mode can be set by setting master mode with the external mode pins, and setting the PSHR bit to 1 in BCR1 in the initialization procedure in a power-on reset. In a manual reset the bus state controller setting register values are retained, and so need not be set again.

Partial-sharing master mode is designed for use in conjunction with a master mode chip. The partial-sharing master can access a device on the master side via area 2, but the master cannot access a device on the partial-sharing master side.

An address and control signal buffer and a data buffer must be located between the partial-sharing master and the master, and controlled by a buffer control circuit.

The partial-sharing master mode processor uses the following procedure to access area 2. It asserts the $\overline{\text{BSREQ}}$ signal on the rising edge of the clock, and issues a bus request to the master. It samples $\overline{\text{BSACK}}$ on each rising edge of the clock, and on receiving $\overline{\text{BSACK}}$ assertion, starts the access cycle on the next rising edge of the clock. At the end of the access, it negates $\overline{\text{BSREQ}}$ on the rising edge of the clock. Buffer control in an access to an area 2 device by the partial-sharing master is carried out by referencing the $\overline{\text{CS2}}$ signal or $\overline{\text{BSREQ}}$ and $\overline{\text{BSACK}}$ signals on the partial-sharing master side. Permission to use the bus is reported by the $\overline{\text{BSACK}}$ line connected to the partial-sharing master, but the master may also negate the $\overline{\text{BSACK}}$ signal even while the bus is being used, if it needs the bus urgently in order to service a refresh, for example. Consequently, the partial-sharing master has to monitor the $\overline{\text{BSREQ}}$ signal to see whether it can continue to use the bus after detecting $\overline{\text{BSACK}}$ assertion. In the case of the address buffer, after the address buffer is turned on when $\overline{\text{BSACK}}$ assertion is detected, the buffer is kept on until $\overline{\text{BSREQ}}$ is negated, at which point it is turned off. If the turning-off of the buffer used is late, resulting in a collision with the start of an access cycle on the master side, the $\overline{\text{BSREQ}}$ signal output from the partial-sharing master must be routed through a delay circuit as part of the buffer control circuit, and input to the master $\overline{\text{BREQ}}$ signal.

In order for a partial-sharing master mode processor to begin area 2 access, the $\overline{\text{BSACK}}$ signal must be asserted for at least two cycles.

When the bus is released after area 2 has been accessed in partial-sharing master mode, if area 2 is synchronous DRAM, there is a wait of the period required for auto-precharge before bus release is performed.

In partial-sharing master mode, refreshing is not performed for area 2 (refresh requests are ignored).

Do not use DRAM/synchronous DRAM RAS down mode in partial-sharing master mode.

Area 2 synchronous DRAM mode register settings should be made by the master mode device. Set partial-sharing master mode (by setting the PSHR bit to 1 in BCR1) after completion of the area 3 synchronous DRAM mode register settings.

In partial-sharing master mode, DMA transfer should not be performed on area 2, and the DMAC's DDT mode should not be used.

13.3.15 Cooperation between Master and Slave

To enable system resources to be controlled in a harmonious fashion by master and slave, their respective roles must be clearly defined. Before DRAM or synchronous DRAM is used, initialization operations must be carried out. Responsibility must also be assigned when a standby operation is performed to implement the power-down state.

The design of the SH7750 Series provides for all control, including initialization, refreshing, and standby control, to be carried out by the master mode device. In a dual-processor configuration using direct master/slave connection, all processing except direct access to memory is handled by the master. In a combination of master mode and partial-sharing master mode, the partial-sharing master mode processor performs initialization, refreshing, and standby control for the areas connected to it, with the exception of area 2, while the master performs initialization of the memory connected to it.

If the SH7750 Series is specified as the master in a power-on reset, it will not accept bus requests from the slave until the $\overline{\text{BREQ}}$ enable bit (BCR1.BREQEN) is set to 1.

To ensure that the slave processor does not access memory requiring initialization before use, such as DRAM and synchronous DRAM, until initialization is completed, write 1 to the $\overline{\text{BREQ}}$ enable bit after initialization ends.

Before setting self-refresh mode in standby mode, etc., write 0 to the $\overline{\text{BREQ}}$ enable bit to invalidate the $\overline{\text{BREQ}}$ signal from the slave. Write 1 to the $\overline{\text{BREQ}}$ enable bit only after the master has performed the necessary processing (refresh settings, etc.) for exiting self-refresh mode.

13.3.16 Notes on Usage

Refresh: Auto refresh operations stop when a transition is made to standby mode, hardware standby mode or deep-sleep mode. If the memory system requires refresh operations, set the memory in the self-refresh state prior to making the transition to standby mode, hardware standby mode or deep-sleep mode.

Bus Arbitration: On transition to standby mode or deep-sleep mode, the processor in master mode does not release bus privileges. In systems performing bus arbitration, make the transition to standby mode or deep-sleep mode only after setting the bus privilege release enable bit (BCR1.BREQEN) to 0 for the processor in master mode. If the bus privilege release enable bit remains set to 1, operation cannot be guaranteed when the transition is made to standby mode or deep-sleep mode.

Synchronous DRAM Mode Register Setting (SH7750, SH7750S Only): The following conditions must be satisfied when setting the synchronous DRAM mode register.

- The DMAC must not be activated until synchronous DRAM mode register setting is completed.*¹
- Register setting for the on-chip peripheral modules*² must not be performed until synchronous DRAM mode register setting is completed.*³

Notes: *1 If a conflict occurs between synchronous DRAM mode register setting and memory access using the DMAC, neither operation can be guaranteed.

*2 This applies to the following on-chip peripheral modules: CPG, RTC, INTC, TMU, SCI, SCIF, and H-UDI.

*3 If synchronous DRAM mode register setting is performed immediately following write access to the on-chip peripheral modules*², the values written to the on-chip peripheral modules cannot be guaranteed.

Section 14 Direct Memory Access Controller (DMAC)

14.1 Overview

The SH7750 and SH7750S include an on-chip four-channel direct memory access controller (DMAC). The SH7750R includes an on-chip eight-channel DMAC. The DMAC can be used in place of the CPU to perform high-speed data transfers among external devices equipped with DACK (TMU, SCI, SCIF), external memories, memory-mapped external devices, and on-chip peripheral modules (except the DMAC, BSC, and UBC). Using the DMAC reduces the burden on the CPU and increases the operating efficiency of the chip. When using the SH7750R, see the following sections:

Section 14.6, Configuration of DMAC (SH7750R);

Section 14.7, Register Descriptions (SH7750R);

Section 14.8, Operation (SH7750R).

14.1.1 Features

The DMAC has the following features.

- Four channels (SH7750/SH7750S), eight channels (SH7750R)
- Physical address space
- Choice of 8-bit, 16-bit, 32-bit, 64-bit, or 32-byte transfer data length
- Maximum of 16 M (16,777,216) transfers
- Choice of single or dual address mode
 - Single address mode: Either the transfer source or the transfer destination (external device) is accessed by a DACK signal while the other is accessed by address. One data transfer is completed in one bus cycle.
 - Dual address mode: Both the transfer source and transfer destination are accessed by address. Values set in DMAC internal registers indicate the accessed address for both the transfer source and the transfer destination. Two bus cycles are required for one data transfer.
- Choice of bus mode: Cycle steal mode or burst mode
- Two types of DMAC channel priority ranking:
 - Fixed priority mode: Channel priorities are permanently fixed.
 - Round robin mode: Sets the lowest priority for the channel for which an execution request was last accepted.
- An interrupt request can be sent to the CPU on completion of the specified number of transfers.

- Transfer requests: The following three DMAC transfer activation requests are supported.

— External request

(1) Normal DMA mode

From two $\overline{\text{DREQ}}$ pins. Either low level detection or falling edge detection can be specified. External requests can be accepted on channels 0 and 1 only.

(2) On-demand data transfer mode (DDT mode)

In this mode of the SH7750 and SH7750S, interfacing between an external device and the DMAC is performed using the $\overline{\text{DBREQ}}$, $\overline{\text{BAVL}}$, $\overline{\text{TR}}$, $\overline{\text{TDACK}}$, ID [1:0], and D [63:0] pins. External requests can be accepted on all four channels.

In the SH7750R, the $\overline{\text{DBREQ}}$, $\overline{\text{BAVL}}$, $\overline{\text{TR}}$, $\overline{\text{TDACK}}$, ID [2:0], and D [63:0] pins are used as the interface between an external device and the DMAC. External requests can be accepted on any of the eight channels.

For channel 0, data transfer can be carried out with the transfer mode, number of transfers, transfer address (single only), etc., specified by the external device.

Although channel 0 has no request queue, there are four request queues for each of the other channels: i.e., channels 1 to 3 in the SH7750 or SH7750S, and channels 1 to 7 in the SH7750R.

In the SH7750R, request queues can be cleared on a channel-by-channel basis in DDT mode in either of the following two ways.

- Clearing a request queue by DTR format
The request queues of the relevant channel are cleared when it receives $\text{DTR.SZ} = 110$, $\text{DTR.ID} = 00$, $\text{DTR.MD} = 11$, and $\text{DTR.COUNT} [7:4]^* = [1-8]$.
- Using software to clear the request queue
The request queues of the relevant channel are cleared by writing a 1 to the CHCRn.QCL bit (request-queue clear bit) of each channel.

Note: * $\text{DTR.COUNT} [7:4]$ (DTR [55:52]): Sets the port as not used.

— Requests from on-chip peripheral modules

Transfer requests from the SCI, SCIF, and TMU. These can be accepted on all channels.

— Auto-request

The transfer request is generated automatically within the DMAC.

- Channel functions: Transfer modes that can be set are different for each channel.

— Normal DMA mode

- Channel 0: Single or dual address mode. External requests are accepted.
- Channel 1: Single or dual address mode. External requests are accepted.
- Channel 2: Dual address mode only.
- Channel 3: Dual address mode only.
- Channel 4 (SH7750R only): Dual address mode only.
- Channel 5 (SH7750R only): Dual address mode only.

- Channel 6 (SH7750R only): Dual address mode only.
 - Channel 7 (SH7750R only): Dual address mode only.
- DDT mode channel function
- Channel 0: Single address mode. External requests are accepted
Dual address mode (SH7750S, SH7750R)
 - Channel 1: Single or dual address mode. External requests are accepted.
 - Channel 2: Single or dual address mode. External requests are accepted.
 - Channel 3: Single or dual address mode. External requests are accepted.
 - Channel 4 (SH7750R only): Single or dual address mode. External requests are accepted.
 - Channel 5 (SH7750R only): Single or dual address mode. External requests are accepted.
 - Channel 6 (SH7750R only): Single or dual address mode. External requests are accepted.
 - Channel 7 (SH7750R only): Single or dual address mode. External requests are accepted.

14.1.2 Block Diagram (SH7750, SH7750S)

Figure 14.1 shows a block diagram of the DMAC.

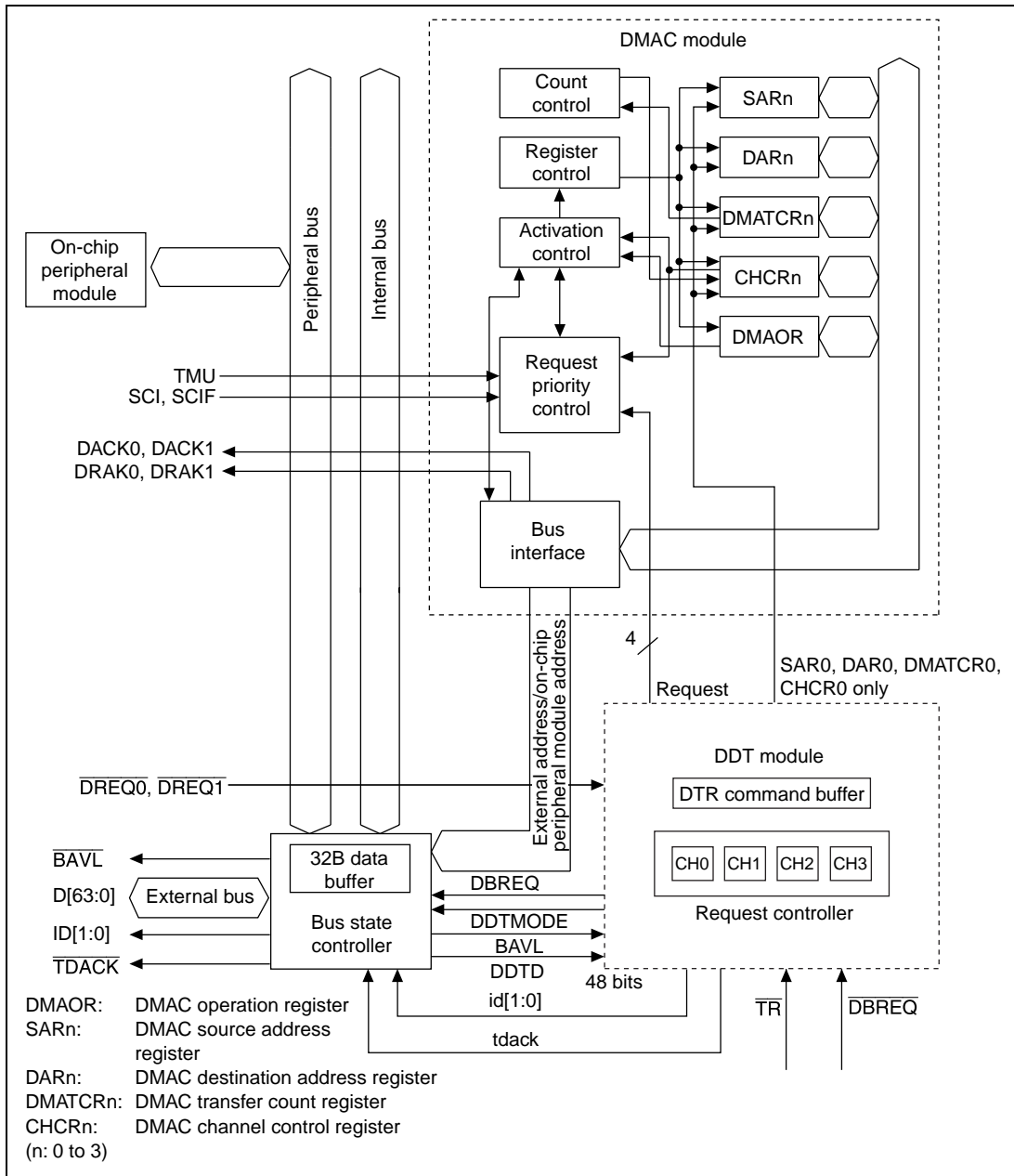


Figure 14.1 Block Diagram of DMAC

14.1.3 Pin Configuration (SH7750, SH7750S)

Tables 14.1 and 14.2 show the DMAC pins.

Table 14.1 DMAC Pins

Channel	Pin Name	Abbreviation	I/O	Function
0	DMA transfer request	$\overline{\text{DREQ0}}$	Input	DMA transfer request input from external device to channel 0
	$\overline{\text{DREQ}}$ acceptance confirmation	DRAK0	Output	Acceptance of request for DMA transfer from channel 0 to external device Notification to external device of start of execution
	DMA transfer end notification	DACK0	Output	Strobe output to external device of DMA transfer request from channel 0 to external device
1	DMA transfer request	$\overline{\text{DREQ1}}$	Input	DMA transfer request input from external device to channel 1
	$\overline{\text{DREQ}}$ acceptance confirmation	DRAK1	Output	Acceptance of request for DMA transfer from channel 1 to external device Notification to external device of start of execution
	DMA transfer end notification	DACK1	Output	Strobe output to external device of DMA transfer request from channel 1 to external device

Table 14.2 DMAC Pins in DDT Mode

Pin Name	Abbreviation	I/O	Function
Data bus request	$\overline{\text{DBREQ}}$ ($\overline{\text{DREQ0}}$)	Input	Data bus release request from external device for DTR format input
Data bus available	$\overline{\text{BAVL}}$ ($\overline{\text{DRAK0}}$)	Output	Data bus release notification Data bus can be used 2 cycles after $\overline{\text{BAVL}}$ is asserted
Transfer request signal	$\overline{\text{TR}}$ ($\overline{\text{DREQ1}}$)	Input	If asserted 2 cycles after $\overline{\text{BAVL}}$ assertion, DTR format is sent Only $\overline{\text{TR}}$ asserted: DMA request $\overline{\text{DBREQ}}$ and $\overline{\text{TR}}$ asserted simultaneously: Direct request to channel 2
DMAC strobe	$\overline{\text{TDACK}}$ ($\overline{\text{DACK0}}$)	Output	Reply strobe signal for external device from DMAC
Channel number notification	ID [1:0] ($\overline{\text{DRAK1}}$, $\overline{\text{DACK1}}$)	Output	Notification of channel number to external device at same time as $\overline{\text{TDACK}}$ output (ID [1] = $\overline{\text{DRAK1}}$, ID [0] = $\overline{\text{DACK1}}$)

14.1.4 Register Configuration (SH7750, SH7750S)

Table 14.3 summarizes the DMAC registers. The DMAC has a total of 17 registers: four registers are allocated to each channel, and an additional control register is shared by all four channels.

Table 14.3 DMAC Registers

Channel	Name	Abbreviation	Read/Write	Initial Value	P4 Address	Area 7 Address	Access Size
0	DMA source address register 0	SAR0	R/W* ²	Undefined	H'FFFA00000	H'1FA00000	32
	DMA destination address register 0	DAR0	R/W* ²	Undefined	H'FFFA00004	H'1FA00004	32
	DMA transfer count register 0	DMATCR0	R/W* ²	Undefined	H'FFFA00008	H'1FA00008	32
	DMA channel control register 0	CHCR0	R/W* ¹ * ²	H'00000000	H'FFFA0000C	H'1FA0000C	32

Table 14.3 DMAC Registers (cont)

Chan- nel	Name	Abbre- viation	Read/ Write	Initial Value	P4 Address	Area 7 Address	Access Size
1	DMA source address register 1	SAR1	R/W	Undefined	H'FFFA00010	H'1FA00010	32
	DMA destination address register 1	DAR1	R/W	Undefined	H'FFFA00014	H'1FA00014	32
	DMA transfer count register 1	DMATCR1	R/W	Undefined	H'FFFA00018	H'1FA00018	32
	DMA channel control register 1	CHCR1	R/W* ¹	H'00000000	H'FFFA0001C	H'1FA0001C	32
2	DMA source address register 2	SAR2	R/W	Undefined	H'FFFA00020	H'1FA00020	32
	DMA destination address register 2	DAR2	R/W	Undefined	H'FFFA00024	H'1FA00024	32
	DMA transfer count register 2	DMATCR2	R/W	Undefined	H'FFFA00028	H'1FA00028	32
	DMA channel control register 2	CHCR2	R/W* ¹	H'00000000	H'FFFA0002C	H'1FA0002C	32
3	DMA source address register 3	SAR3	R/W	Undefined	H'FFFA00030	H'1FA00030	32
	DMA destination address register 3	DAR3	R/W	Undefined	H'FFFA00034	H'1FA00034	32
	DMA transfer count register 3	DMATCR3	R/W	Undefined	H'FFFA00038	H'1FA00038	32
	DMA channel control register 3	CHCR3	R/W* ¹	H'00000000	H'FFFA0003C	H'1FA0003C	32
Com- mon	DMA operation register	DMAOR	R/W* ¹	H'00000000	H'FFFA00040	H'1FA00040	32

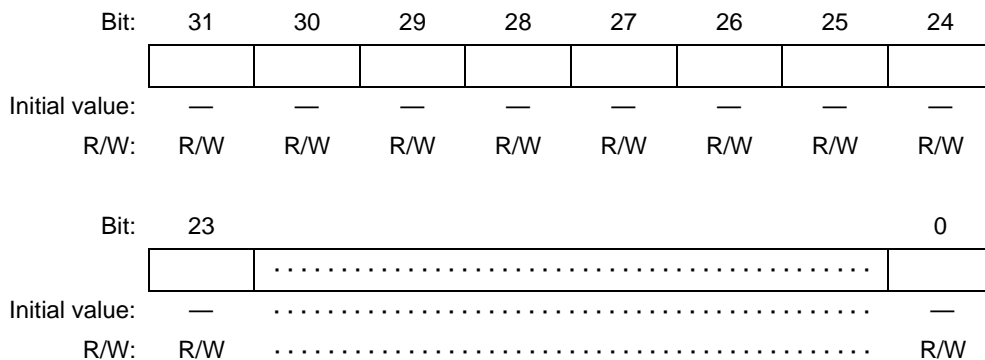
Notes: Longword access should be used for all control registers. If a different access width is used, reads will return all 0s and writes will not be possible.

*1 Bit 1 of CHCR0–CHCR3 and bits 2 and 1 of DMAOR can only be written with 0 after being read as 1, to clear the flags.

*2 In the SH7750, writes from the CPU are masked in DDT mode, while writes from external I/O devices using the DTR format are possible. In the SH7750S, writes from the CPU and writes from external I/O devices using the DTR format are possible in DDT mode.

14.2 Register Descriptions (SH7750, SH7750S)

14.2.1 DMA Source Address Registers 0–3 (SAR0–SAR3)



DMA source address registers 0–3 (SAR0–SAR3) are 32-bit readable/writable registers that specify the source address of a DMA transfer. These registers have a counter feedback function, and during a DMA transfer they indicate the next source address. In single address mode, the SAR value is ignored when an external device with DACK has been specified as the transfer source.

Specify a 16-bit, 32-bit, 64-bit, or 32-byte boundary address when performing a 16-bit, 32-bit, 64-bit, or 32-byte data transfer, respectively. If a different address is specified, an address error will be detected and the DMAC will halt.

The initial value of these registers after a power-on or manual reset is undefined. They retain their values in standby mode and deep sleep mode.

When transfer is performed from memory to an external device with DACK in DDT mode, DTR format [31:0] is set in SAR0 [31:0]. For details, see Data Transfer Request Format in section 14.5.2.

In the SH7750, writes from the CPU are masked in DDT mode, while writes from external I/O devices using the DTR format are possible. In the SH7750S, writes from the CPU and writes from external I/O devices using the DTR format are possible In DDT mode.

14.2.2 DMA Destination Address Registers 0–3 (DAR0–DAR3)

Bit:	31	30	29	28	27	26	25	24
Initial value:	—	—	—	—	—	—	—	—
R/W:	R/W	R/W	R/W	R/W	R/W	R/W	R/W	R/W
Bit:	23						0
							
Initial value:	—						—
R/W:	R/W						R/W

DMA destination address registers 0–3 (DAR0–DAR3) are 32-bit readable/writable registers that specify the destination address of a DMA transfer. These registers have a counter feedback function, and during a DMA transfer they indicate the next destination address. In single address mode, the DAR value is ignored when a device with DACK has been specified as the transfer destination.

Specify a 16-bit, 32-bit, 64-bit, or 32-byte boundary address when performing a 16-bit, 32-bit, 64-bit, or 32-byte data transfer, respectively. If a different address is specified, an address error will be detected and the DMAC will halt.

The initial value of these registers after a power-on or manual reset is undefined. They retain their values in standby mode and deep sleep mode.

When transfer is performed from an external device with DACK to memory in DDT mode, DTR format [31:0] is set in DAR0 [31:0]. For details, see Data Transfer Request Format in section 14.5.2.

- Notes:
1. When a 16-bit, 32-bit, 64-bit, or 32-byte boundary address is specified, take care with the setting of bit 0, bits 1–0, bits 2–0, or bits 4–0, respectively. If an address specification that ignores boundary considerations is made, the DMAC will detect an address error and halt operation on all channels (DMAOR: address error flag AE = 1). The DMAC will also detect an address error and halt if an area 7 address is specified in a data transfer employing the external bus, or if the address of a nonexistent on-chip peripheral module is specified.
 2. External addresses are 29-bit. As SAR[31:29] and DAR[31:29] are not used in DMA transfers, settings of SAR[31:29] = 000 and DAR[31:29] = 000 are recommended.

14.2.3 DMA Transfer Count Registers 0–3 (DMATCR0–DMATCR3)

Bit:	31	30	29	28	27	26	25	24
Initial value:	0	0	0	0	0	0	0	0
R/W:	R	R	R	R	R	R	R	R
Bit:	23	22	21	20	19	18	17	16
Initial value:	—	—	—	—	—	—	—	—
R/W:	R/W	R/W	R/W	R/W	R/W	R/W	R/W	R/W
Bit:	15	14	13	12	11	10	9	8
Initial value:	—	—	—	—	—	—	—	—
R/W:	R/W	R/W	R/W	R/W	R/W	R/W	R/W	R/W
Bit:	7	6	5	4	3	2	1	0
Initial value:	—	—	—	—	—	—	—	—
R/W:	R/W	R/W	R/W	R/W	R/W	R/W	R/W	R/W

DMA transfer count registers 0–3 (DMATCR0–DMATCR3) are 32-bit readable/writable registers that specify the transfer count for the corresponding channel (byte count, word count, longword count, quadword count, or 32-byte count). Specifying H'000001 gives a transfer count of 1, while H'000000 gives the maximum setting, 16,777,216 (16M) transfers. During DMAC operation, the remaining number of transfers is shown.

Bits 31–24 of these registers are reserved; they are always read as 0, and should only be written with 0.

The initial value of these registers after a power-on or manual reset is undefined. They retain their values in standby mode and deep sleep mode.

In DDT mode, settings to DMATCR0[7:0] may be made from DTR format [55:48] as well. For details, see Data Transfer Request Format in section 14.5.2.

14.2.4 DMA Channel Control Registers 0–3 (CHCR0–CHCR3)

Bit:	31	30	29	28	27	26	25	24
	SSA2	SSA1	SSA0	STC	DSA2	DSA1	DSA0	DTC
Initial value:	0	0	0	0	0	0	0	0
R/W:	R/W	R/W	R/W	R/W	R/W	R/W	R/W	R/W
Bit:	23	22	21	20	19	18	17	16
	—	—	—	—	DS	RL	AM	AL
Initial value:	0	0	0	0	0	0	0	0
R/W:	R	R	R	R	R/W	(R/W)	R/W	(R/W)
Bit:	15	14	13	12	11	10	9	8
	DM1	DM0	SM1	SM0	RS3	RS2	RS1	RS0
Initial value:	0	0	0	0	0	0	0	0
R/W:	R/W	R/W	R/W	R/W	R/W	R/W	R/W	R/W
Bit:	7	6	5	4	3	2	1	0
	TM	TS2	TS1	TS0	—	IE	TE	DE
Initial value:	0	0	0	0	0	0	0	0
R/W:	R/W	R/W	R/W	R/W	R	R/W	R/(W)	R/W

Note: The TE bit can only be written with 0 after being read as 1, to clear the flag.
The RL, AM, AL, and DS bits may be absent, depending on the channel.

DMA channel control registers 0–3 (CHCR0–CHCR3) are 32-bit readable/writable registers that specify the operating mode, transfer method, etc., for each channel. Bits 31–28 and 27–24 indicate the source address and destination address, respectively; these settings are only valid when the transfer involves the CS5 or CS6 space and the relevant space has been specified as a PCMCIA interface space. In other cases, these bits should be cleared to 0. For details of the PCMCIA interface, see section 13.3.7, PCMCIA Interface, in section 13, Bus State Controller (BSC).

In DDT mode, CHCR0 is set according to the DTR format. (The following settings are fixed: CHCR0 [31:24] = 0, [18:16] = 0, [15:14] = 01, [13:12] = 01, [2] = 0, [1] = 0, [0] = 1)

Bits 18 and 16 are not present in CHCR2 and CHCR3. In CHCR2 and CHCR3, these bits cannot be modified (a write value of 0 should always be used) and are always read as 0.

These registers are initialized to H'00000000 by a power-on or manual reset. They retain their values in standby mode and deep sleep mode.

Bits 31 to 29—Source Address Space Attribute Specification (SSA2–SSA0): These bits specify the space attribute for access to a PCMCIA interface area.

Bit 31: SSA2	Bit 30: SSA1	Bit 29: SSA0	Description
0	0	0	Reserved in PCMCIA access (Initial value)
		1	Dynamic bus sizing I/O space
	1	0	8-bit I/O space
		1	16-bit I/O space
1	0	0	8-bit common memory space
		1	16-bit common memory space
	1	0	8-bit attribute memory space
		1	16-bit attribute memory space

Bit 28—Source Address Wait Control Select (STC): Specifies CS5 or CS6 space wait cycle control for access to a PCMCIA interface area. This bit selects the wait control register in the BSC that performs area 5 and 6 wait cycle control.

Bit 28: STC	Description
0	C5 space wait cycle selection (Initial value) Settings of bits A5W2–A5W0 in wait control register 2 (WCR2), and bits A5PCW1–A5PCW0, A5TED2–A5TED0, and A5TEH2–A5TEH0 in the PCMCIA control register (PCR), are selected
1	C6 space wait cycle selection Settings of bits A6W2–A6W0 in wait control register 2 (WCR2), and bits A6PCW1–A6PCW0, A6TED2–A6TED0, and A6TEH2–A6TEH0 in the PCMCIA control register (PCR), are selected

Note: For details, see section 13.3.7, PCMCIA Interface.

Bits 27 to 25—Destination Address Space Attribute Specification (DSA2–DSA0): These bits specify the space attribute for access to a PCMCIA interface area.

Bit 27: DSA2	Bit 26: DSA1	Bit 25: DSA0	Description
0	0	0	Reserved in PCMCIA access (Initial value)
		1	Dynamic bus sizing I/O space
	1	0	8-bit I/O space
		1	16-bit I/O space
1	0	0	8-bit common memory space
		1	16-bit common memory space
	1	0	8-bit attribute memory space
		1	16-bit attribute memory space

Bit 24—Destination Address Wait Control Select (DTC): Specifies CS5 or CS6 space wait cycle control for access to a PCMCIA interface area. This bit selects the wait control register in the BSC that performs area 5 and 6 wait cycle control.

Bit 24: DTC	Description
0	C5 space wait cycle selection (Initial value) Settings of bits A5W2–A5W0 in wait control register 2 (WCR2), and bits A5PCW1–A5PCW0, A5TED2–A5TED0, and A5TEH2–A5TEH0 in the PCMCIA control register (PCR), are selected
1	C6 space wait cycle selection Settings of bits A6W2–A6W0 in wait control register 2 (WCR2), and bits A6PCW1–A6PCW0, A6TED2–A6TED0, and A6TEH2–A6TEH0 in the PCMCIA control register (PCR), are selected

Note: For details, see section 13.3.7, PCMCIA Interface.

Bits 23 to 20—Reserved: These bits are always read as 0, and should only be written with 0.

Bit 19— $\overline{\text{DREQ}}$ Select (DS): Specifies either low level detection or falling edge detection as the sampling method for the $\overline{\text{DREQ}}$ pin used in external request mode.

In normal DMA mode, this bit is valid only in CHCR0 and CHCR1. In DDT mode, it is valid in CHCR0–CHCR3.

Bit 19: DS	Description
0	Low level detection (Initial value)
1	Falling edge detection

Note: Level detection burst mode when TM = 1 and DS = 0
Edge detection burst mode when TM = 1 and DS = 1

Bit 18—Request Check Level (RL): Selects whether the DRACK signal (that notifies an external device of the acceptance of $\overline{\text{DREQ}}$) is an active-high or active-low output.

In normal DMA mode, this bit is valid only in CHCR0 and CHCR1. In DDT mode, this bit is invalid.

Bit 18: RL	Description
0	DRACK is an active-high output (Initial value)
1	DRACK is an active-low output

Bit 17—Acknowledge Mode (AM): In dual address mode, selects whether DACK is output in the data read cycle or write cycle. In single address mode, DACK is always output regardless of the setting of this bit.

In normal DMA mode, this bit is valid only in CHCR0 and CHCR1. In DDT mode, this bit is valid for CHCR1 to CHCR3 in the SH7750. In the SH7750S, this bit is valid for CHCR0 to CHCR3. (DDT mode: $\overline{\text{TDACK}}$)

Bit 17: AM	Description
0	DACK is output in read cycle (Initial value)
1	DACK is output in write cycle

Bit 16—Acknowledge Level (AL): Specifies the DACK (acknowledge) signal as active-high or active-low.

In normal DMA mode, this bit is valid only in CHCR0 and CHCR1. In DDT mode, this bit is invalid.

Bit 16: AL	Description
0	Active-high output (Initial value)
1	Active-low output

Bits 15 and 14—Destination Address Mode 1 and 0 (DM1, DM0): These bits specify incrementing/decrementing of the DMA transfer destination address. The specification of these bits is ignored when data is transferred from external memory to an external device in single address mode. For channel 0, in DDT mode these bits are set to DM1 = 0 and DM0 = 1 with the DTR format.

Bit 15: DM1	Bit 14: DM0	Description
0	0	Destination address fixed (Initial value)
	1	Destination address incremented (+1 in 8-bit transfer, +2 in 16-bit transfer, +4 in 32-bit transfer, +8 in 64-bit transfer, +32 in 32-byte burst transfer)
1	0	Destination address decremented (−1 in 8-bit transfer, −2 in 16-bit transfer, −4 in 32-bit transfer, −8 in 64-bit transfer, −32 in 32-byte burst transfer)
	1	Setting prohibited

Bits 13 and 12—Source Address Mode 1 and 0 (SM1, SM0): These bits specify incrementing/decrementing of the DMA transfer source address. The specification of these bits is ignored when data is transferred from an external device to external memory in single address mode. For channel 0, in DDT mode these bits are set to DM1 = 0 and DM0 = 1 with the DTR format.

Bit 13: SM1	Bit 12: SM0	Description
0	0	Source address fixed (Initial value)
	1	Source address incremented (+1 in 8-bit transfer, +2 in 16-bit transfer, +4 in 32-bit transfer, +8 in 64-bit transfer, +32 in 32-byte burst transfer)
1	0	Source address decremented (−1 in 8-bit transfer, −2 in 16-bit transfer, −4 in 32-bit transfer, −8 in 64-bit transfer, −32 in 32-byte burst transfer)
	1	Setting prohibited

Bits 11 to 8—Resource Select 3 to 0 (RS3–RS0): These bits specify the transfer request source.

Bit 11: RS3	Bit 10: RS2	Bit 9: RS1	Bit 8: RS0	Description
0	0	0	0	External request, dual address mode ^{*1 *4} (external address space → external address space) (Initial value)
			1	Setting prohibited
		1	0	External request, single address mode External address space → external device ^{*1 *3 *4}
			1	External request, single address mode External device → external address space ^{*1 *3 *4}
	1	0	0	Auto-request (external address space → external address space) ^{*2}
			1	Auto-request (external address space → on-chip peripheral module) ^{*2}
		1	0	Auto-request (on-chip peripheral module → external address space) ^{*2}
			1	Setting prohibited
1	0	0	0	SCI transmit-data-empty interrupt transfer request (external address space → SCTDR1) ^{*2}
			1	SCI receive-data-full interrupt transfer request (SCRDR1 → external address space) ^{*2}
		1	0	SCIF transmit-data-empty interrupt transfer request (external address space → SCFTDR2) ^{*2}
			1	SCIF receive-data-full interrupt transfer request (SCFRDR2 → external address space) ^{*2}
	1	0	0	TMU channel 2 (input capture interrupt, external address space → external address space) ^{*2}
			1	TMU channel 2 (input capture interrupt, external address space → on-chip peripheral module) ^{*2}
		1	0	TMU channel 2 (input capture interrupt, on-chip peripheral module → external address space) ^{*2}
			1	Setting prohibited

Notes: *1 External request specifications are valid only for channels 0 and 1. Requests are not accepted for channels 2 and 3 in normal DMA mode.

*2 Dual address mode

*3 In DDT mode, selection is possible with the DTR format [60] (R/W bit) and [57-56] (MD1, MD0 bits) specification for channel 0 only.

*4 In DDT mode:

[SH7750] An external request specification should be set for channels 1 to 3. For channel 0, only single address mode can be set with the DTR format.

[SH7750S] An external request specification can be set for channels 0 to 3.

Bit 7—Transmit Mode (TM): Specifies the bus mode for transfer.

Bit 7: TM	Description
0	Cycle steal mode (Initial value)
1	Burst mode

Bits 6 to 4—Transmit Size 2 to 0 (TS2–TS0): These bits specify the transfer data size. For external memory access, the setting of these bits serves as the access size in section 14.3, Operation. For register access, the setting of these bits is the size in which the register is accessed.

Bit 6: TS2	Bit 5: TS1	Bit 4: TS0	Description
0	0	0	Quadword size (64-bit) specification (Initial value)
		1	Byte size (8-bit) specification
	1	0	Word size (16-bit) specification
		1	Longword size (32-bit) specification
1	0	0	32-byte block transfer specification

Bit 3—Reserved: This bit is always read as 0, and should only be written with 0.

Bit 2—Interrupt Enable (IE): When this bit is set to 1, an interrupt request (DMTE) is generated after the number of data transfers specified in DMATCR (when TE = 1).

Bit 2: IE	Description
0	Interrupt request not generated after number of transfers specified in DMATCR (Initial value)
1	Interrupt request generated after number of transfers specified in DMATCR

Bit 1—Transfer End (TE): This bit is set to 1 after the number of transfers specified in DMATCR. If the IE bit is set to 1 at this time, an interrupt request (DMTE) is generated.

If data transfer ends before TE is set to 1 (for example, due to an NMI interrupt, address error, or clearing of the DE bit or the DME bit in DMAOR), the TE bit is not set to 1. When this bit is 1, the transfer enabled state is not entered even if the DE bit is set to 1.

Bit 1: TE	Description
0	Number of transfers specified in DMATCR not completed (Initial value) [Clearing conditions] <ul style="list-style-type: none"> • When 0 is written to TE after reading TE = 1 • In a power-on or manual reset, and in standby mode
1	Number of transfers specified in DMATCR completed

Bit 0—DMAC Enable (DE): Enables operation of the corresponding channel.

Bit 0: DE	Description
0	Operation of corresponding channel is disabled (Initial value)
1	Operation of corresponding channel is enabled

When auto-request is specified (with RS3–RS0), transfer is begun when this bit is set to 1. In the case of an external request or on-chip peripheral module request, transfer is begun when a transfer request is issued after this bit is set to 1. Transfer can be suspended midway by clearing this bit to 0.

Even if the DE bit has been set, transfer is not enabled when TE is 1, when DME in DMAOR is 0, or when the NMIF or AE bit in DMAOR is 1.

For channel 0, in DDT mode this bit is set to 1 when a DTR format is received. DE remains set to 1 even if TE is set to 1. When the mode is switched from DDT mode to normal DMA mode (DDT bit = 0 in DMAOR), the DE bit must be cleared to 0.

14.2.5 DMA Operation Register (DMAOR)

Bit:	31	30	29	28	27	26	25	24
	—	—	—	—	—	—	—	—
Initial value:	0	0	0	0	0	0	0	0
R/W:	R	R	R	R	R	R	R	R
Bit:	23	22	21	20	19	18	17	16
	—	—	—	—	—	—	—	—
Initial value:	0	0	0	0	0	0	0	0
R/W:	R	R	R	R	R	R	R	R
Bit:	15	14	13	12	11	10	9	8
	DDT	—	—	—	—	—	PR1	PR0
Initial value:	0	0	0	0	0	0	0	0
R/W:	R/W	R	R	R	R	R	R/W	R/W
Bit:	7	6	5	4	3	2	1	0
	—	—	—	COD	—	AE	NMIF	DME
Initial value:	0	0	0	0	0	0	0	0
R/W:	R	R	R	R/(W)	R	R/(W)	R/(W)	R/W

Note: The AE and NMIF bits can only be written with 0 after being read as 1, to clear the flags.
The COD bit can be written to in the SH7750S only.

DMAOR is a 32-bit readable/writable register that specifies the DMAC transfer mode.

DMAOR is initialized to H'00000000 by a power-on or manual reset. They retain their values in standby mode and deep sleep mode.

Bits 31 to 16—Reserved: These bits are always read as 0, and should only be written with 0.

Bit 15—On-Demand Data Transfer (DDT): Specifies on-demand data transfer mode.

Bit 15: DDT	Description
0	Normal DMA mode (Initial value)
1	On-demand data transfer mode

Note: $\overline{\text{BAVL}}$ (DRAK0) is an active-high output in normal DMA mode. When the DDT bit is set to 1, the $\overline{\text{BAVL}}$ pin function is enabled and this pin becomes an active-low output.

Bits 14 to 10—Reserved: These bits are always read as 0, and should only be written with 0.

Bits 9 and 8—Priority Mode 1 and 0 (PR1, PR0): These bits determine the order of priority for channel execution when transfer requests are made for a number of channels simultaneously.

Bit 9: PR1	Bit 8: PR0	Description
0	0	CH0 > CH1 > CH2 > CH3 (Initial value)
	1	CH0 > CH2 > CH3 > CH1
1	0	CH2 > CH0 > CH1 > CH3
	1	Round robin mode

Bits 7 to 5—Reserved: These bits are always read as 0, and should only be written with 0.

Bit 4 (SH7750S)—Check Overrun for $\overline{\text{DREQ}}$ (COD): When this bit is set to 1, cancellation of an accepted $\overline{\text{DREQ}}$ acceptance flag is enabled. When cancellation of an accepted $\overline{\text{DREQ}}$ acceptance flag is enabled by setting COD to 1, clear CHCRn.DS to 0 and then negate $\overline{\text{DREQ}}$ (to the high level). For details, see External Request Mode in section 14.3.2.

Bit 4: COD	Description
0	$\overline{\text{DREQ}}$ acceptance flag cancellation disabled (Initial value)
1	$\overline{\text{DREQ}}$ acceptance flag cancellation enabled

Note: When external request mode is used in the SH7750S, recommend setting COD to 1 permanently.

Bit 4 (SH7750)—Reserved: These bits are always read as 0, and should only be written with 0.

Bit 3—Reserved: This bit is always read as 0, and should only be written with 0.

Bit 2—Address Error Flag (AE): Indicates that an address error has occurred during DMA transfer. If this bit is set during data transfer, transfers on all channels are suspended, and an interrupt request (DMAE) is generated. The CPU cannot write 1 to AE. This bit can only be cleared by writing 0 after reading 1.

Bit 2: AE	Description
0	No address error, DMA transfer enabled (Initial value)
	[Clearing condition] When 0 is written to AE after reading AE = 1
1	Address error, DMA transfer disabled
	[Setting condition] When an address error is caused by the DMAC

Bit 1—NMI Flag (NMIF): Indicates that NMI has been input. This bit is set regardless of whether or not the DMAC is operating. If this bit is set during data transfer, transfers on all channels are suspended. The CPU cannot write 1 to NMIF. This bit can only be cleared by writing 0 after reading 1.

Bit 1: NMIF	Description
0	No NMI input, DMA transfer enabled (Initial value) [Clearing condition] When 0 is written to NMIF after reading NMIF = 1
1	NMI input, DMA transfer disabled [Setting condition] When an NMI interrupt is generated

Bit 0—DMAC Master Enable (DME): Enables activation of the entire DMAC. When the DME bit and the DE bit of the CHCR register for the corresponding channel are set to 1, that channel is enabled for transfer. If this bit is cleared during data transfer, transfers on all channels are suspended.

Even if the DME bit has been set, transfer is not enabled when TE is 1 or DE is 0 in CHCR, or when the NMI or AE bit in DMAOR is 1.

Bit 0: DME	Description
0	Operation disabled on all channels (Initial value)
1	Operation enabled on all channels

14.3 Operation

When a DMA transfer request is issued, the DMAC starts the transfer according to the predetermined channel priority order. It ends the transfer when the transfer end conditions are satisfied. Transfers can be requested in three modes: auto-request, external request, and on-chip peripheral module request. There are two modes for DMA transfer: single address mode and dual address mode. Either burst mode or cycle steal mode can be selected as the bus mode.

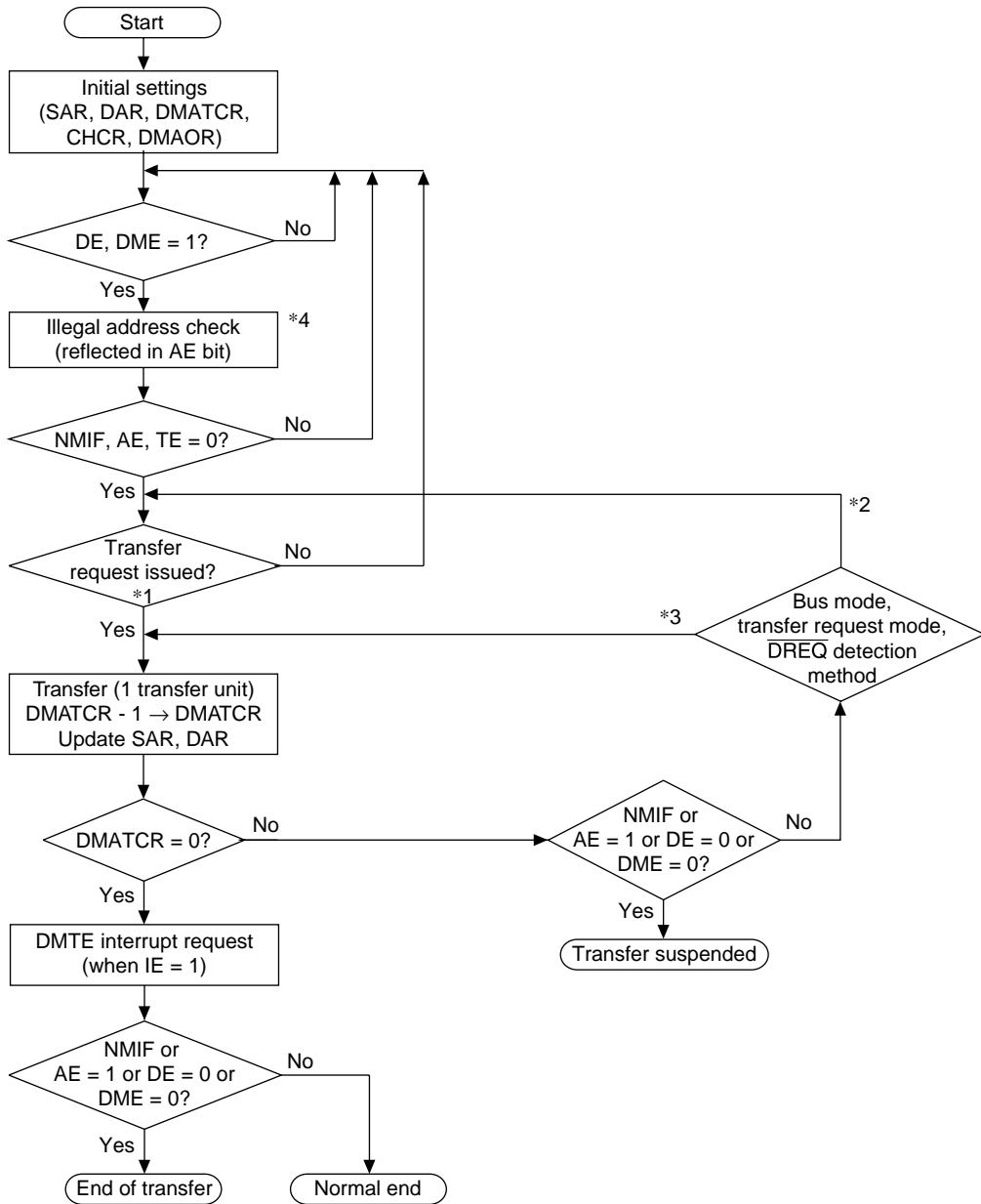
14.3.1 DMA Transfer Procedure

After the desired transfer conditions have been set in the DMA source address register (SAR), DMA destination address register (DAR), DMA transfer count register (DMATCR), DMA channel control register (CHCR), and DMA operation register (DMAOR), the DMAC transfers data according to the following procedure:

1. The DMAC checks to see if transfer is enabled (DE = 1, DME = 1, TE = 0, NMIF = 0, AE = 0).
2. When a transfer request is issued and transfer has been enabled, the DMAC transfers one transfer unit of data (determined by the setting of TS2–TS0). In auto-request mode, the transfer begins automatically when the DE bit and DME bit are set to 1. The DMATCR value is decremented by 1 for each transfer. The actual transfer flow depends on the address mode and bus mode.
3. When the specified number of transfers have been completed (when the DMATCR value reaches 0), the transfer ends normally. If the IE bit in CHCR is set to 1 at this time, a DMTE interrupt request is sent to the CPU.
4. If a DMAC address error or NMI interrupt occurs, the transfer is suspended. Transfer is also suspended when the DE bit in CHCR or the DME bit in DMAOR is cleared to 0. In the event of an address error, a DMAE interrupt request is forcibly sent to the CPU.

Figure 14.2 shows a flowchart of this procedure.

Note: If transfer request is issued while transfer is disabled, the transfer enable wait state (transfer suspended state) is entered. Transfer is started when subsequently enabled (by setting DE = 1, DME = 1, TE = 0, NMIF = 0, AE = 0)



- Notes: *1 In auto-request mode, transfer begins when the NMIF, AE, and TE bits are all 0, and the DE and DME bits are set to 1.
- *2 \overline{DREQ} level detection (external request) in burst mode, or cycle steal mode.
- *3 \overline{DREQ} edge detection (external request) in burst mode, or auto-request mode in burst mode.
- *4 An illegal address is detected by comparing bits TS2–TS0 in CHCRn with SARn and DARn.

Figure 14.2 DMAC Transfer Flowchart

14.3.2 DMA Transfer Requests

DMA transfer requests are basically generated at either the data transfer source or destination, but they can also be issued by external devices or on-chip peripheral modules that are neither the source nor the destination.

Transfers can be requested in three modes: auto-request, external request, and on-chip peripheral module request. The transfer request mode is selected by means of bits RS3–RS0 in DMA channel control registers 0–3 (CHCR0–CHCR3).

Auto Request Mode: When there is no transfer request signal from an external source, as in a memory-to-memory transfer or a transfer between memory and an on-chip peripheral module unable to request a transfer, the auto-request mode allows the DMAC to automatically generate a transfer request signal internally. When the DE bit in CHCR0–CHCR3 and the DME bit in the DMA operation register (DMAOR) are set to 1, the transfer begins (so long as the TE bit in CHCR0–CHCR3 and the NMIF and AE bits in DMAOR are all 0).

External Request Mode: In this mode a transfer is performed in response to a transfer request signal ($\overline{\text{DREQ}}$) from an external device. One of the modes shown in table 14.4 should be chosen according to the application system. If DMA transfer is enabled (DE = 1, DME = 1, TE = 0, NMIF = 0, AE = 0), transfer starts when $\overline{\text{DREQ}}$ is input. The DS bit in CHCR0/CHCR1 is used to select either falling edge detection or low level detection for the $\overline{\text{DREQ}}$ signal (level detection when DS = 0, edge detection when DS = 1).

The source of the transfer request does not have to be the data transfer source or destination.

$\overline{\text{DREQ}}$ is accepted after a power-on reset if TE = 0, NMIF = 0, and AE = 0, but transfer is not executed if DMA transfer is not enabled (DE = 0 or DME = 0).

In this case, DMA transfer is started when enabled (by setting DE = 1 and DME = 1).

Table 14.4 Selecting External Request Mode with RS Bits

RS3	RS2	RS1	RS0	Address Mode	Transfer Source	Transfer Destination
0	0	0	0	Dual address mode	External memory or memory-mapped external device, or external device with DACK	External memory or memory-mapped external device, or external device with DACK
		1	0	Single address mode	External memory or memory-mapped external device	External device with DACK
			1	Single address mode	External device with DACK	External memory or memory-mapped external device

- External Request Acceptance Conditions

- When at least one of DMAOR.DME and CHCR.DE is 0, and DMAOR.NMIF, DMAOR.AE, and CHCR.TE are all 0, if an external request ($\overline{\text{DREQ}}$: edge-detected) is input it will be held inside the DMAC until DMA transfer is either executed or canceled. Since DMA transfer is not enabled in this case (DME = 0 or DE = 0), DMA transfer is not initiated. DMA transfer is started after it is enabled (DME = 1, DE = 1, DMAOR.NMIF = 0, DMAOR.AE = 0, CHCR.TE = 0).
- When DMA transfer is enabled (DME = 1, DE = 1, DMAOR.NMIF = 0, DMAOR.AE = 0, CHCR.TE = 0), if an external request ($\overline{\text{DREQ}}$) is input, DMA transfer is started.
- An external request ($\overline{\text{DREQ}}$) will be ignored if input when CHCR.TE = 1, DMAOR.NMIF = 1, or DMAOR.AE = 1, or during a power-on reset or manual reset, in deep sleep mode or standby mode, or while the DMAC is in the module standby state.
- A previously input external request will be canceled by the occurrence of an NMI interrupt (DMAOR.NMIF = 1) or address error (DMAOR.AE = 1), or by a power-on reset or manual reset.

In the SH7750S, it is possible to cancel a previously input external request ($\overline{\text{DREQ}}$). With DMAOR.COD set to 1, clear CHCRn.DS to 0 and then drive the $\overline{\text{DREQ}}$ pin high.

On the SH7750R, it is possible to cancel an external request that has been accepted by external request ($\overline{\text{DREQ}}$) edge detection by first negating $\overline{\text{DREQ}}$ and then clearing CHCR.DS from 1 to 0. Afterwards CHCR.DS should be reset to 1 and $\overline{\text{DREQ}}$ asserted. (The SH7750R has no DMAOR.COD bit, but it is possible to cancel an external request that has been accepted by external request ($\overline{\text{DREQ}}$) edge detection, as is the case when the DMAOR.COD bit of the SH7750S is set to 1.)

- Usage Notes

An external request ($\overline{\text{DREQ}}$) is detected by a low level or falling edge. Ensure that the external request ($\overline{\text{DREQ}}$) signal is held high when there is no DMA transfer request from an external device after a power-on reset or manual reset.

When DMA transfer is restarted, check whether a DMA transfer request is being held.

On-Chip Peripheral Module Request Mode: In this mode a transfer is performed in response to a transfer request signal (interrupt request signal) from an on-chip peripheral module. As shown in table 14.5, there are seven transfer request signals: input capture interrupts from the timer unit (TMU), and receive-data-full interrupts (RXI) and transmit-data-empty interrupts (TXI) from the two serial communication interfaces (SCI, SCIF). If DMA transfer is enabled (DE = 1, DME = 1, TE = 0, NMIF = 0, AE = 0), transfer starts when a transfer request signal is input.

The source of the transfer request does not have to be the data transfer source or destination. However, when the transfer request is set to RXI (transfer request by SCI/SCIF receive-data-full interrupt), the transfer source must be the SCI/SCIF's receive data register (SCRDR1/SCFRDR2). When the transfer request is set to TXI (transfer request by SCI/SCIF transmit-data-empty interrupt), the transfer destination must be the SCI/SCIF's transmit data register (SCTDR1/SCFTDR2).

Table 14.5 Selecting On-Chip Peripheral Module Request Mode with RS Bits

RS3	RS2	RS1	RS0	DMAC Transfer Request Source	DMAC Transfer Request Signal	Transfer Source	Transfer Destination	Bus Mode
1	0	0	0	SCI transmitter	SCTDR1 (SCI transmit-data-empty transfer request)	External*	SCTDR1	Cycle steal mode
			1	SCI receiver	SCRDR1 (SCI receive-data-full transfer request)	SCRDR1	External*	Cycle steal mode
		1	0	SCIF transmitter	SCFTDR2 (SCIF transmit-data-empty transfer request)	External*	SCFTDR2	Cycle steal mode
			1	SCIF receiver	SCFRDR2 (SCIF receive-data-full transfer request)	SCFRDR2	External*	Cycle steal mode
1	0	0		TMU channel 2	Input capture occurrence	External*	External*	Burst/cycle steal mode
			1	TMU channel 2	Input capture occurrence	External*	On-chip peripheral	Burst/cycle steal mode
		1	0	TMU channel 2	Input capture occurrence	On-chip peripheral	External*	Burst/cycle steal mode

TMU: Timer unit

SCI: Serial communication interface

SCIF: Serial communication interface with FIFO

Notes: 1. SCI/SCIF burst transfer setting is prohibited.

2. If input capture interrupt acceptance is set for multiple channels and $DE = 1$ for each channel, processing will be executed on the highest-priority channel in response to a single input capture interrupt.
 3. A DMA transfer request by means of an input capture interrupt can be canceled by setting $TCR2.ICPE1 = 0$ and $ICPE0 = 0$ in the TMU.
- * External memory or memory-mapped external device

To output a transfer request from an on-chip peripheral module, set the DMA transfer request enable bit for that module and output a transfer request signal.

For details, see sections 12, Timer Unit (TMU), 15, Serial Communication Interface (SCI), and 16, Serial Communication Interface with FIFO (SCIF).

When a DMA transfer corresponding to a transfer request signal from an on-chip peripheral module shown in table 14.5 is carried out, the signal is discontinued automatically. This occurs every transfer in cycle steal mode, and in the last transfer in burst mode.

14.3.3 Channel Priorities

If the DMAC receives simultaneous transfer requests on two or more channels, it selects a channel according to a predetermined priority system, either in a fixed mode or round robin mode. The mode is selected with priority bits PR1 and PR0 in the DMA operation register (DMAOR).

Fixed Mode: In this mode, the relative channel priorities remain fixed. The following priority orders are available in fixed mode:

- $CH0 > CH1 > CH2 > CH3$
- $CH0 > CH2 > CH3 > CH1$
- $CH2 > CH0 > CH1 > CH3$

The priority order is selected with bits PR1 and PR0 in DMAOR.

Round Robin Mode: In round robin mode, each time the transfer of one transfer unit (byte, word, longword, quadword, or 32 bytes) ends on a given channel, that channel is assigned the lowest priority level. This is illustrated in figure 14.3. The order of priority in round robin mode immediately after a reset is $CH0 > CH1 > CH2 > CH3$.

Note: In round robin mode, if no transfer request is accepted for any channel during DMA transfer, the priority order becomes $CH0 > CH1 > CH2 > CH3$.

Transfer on channel 0

Initial priority order CH0 > CH1 > CH2 > CH3

Channel 0 is given the lowest priority.

Priority order after transfer CH1 > CH2 > CH3 > CH0

Transfer on channel 1

Initial priority order CH0 > CH1 > CH2 > CH3

When channel 1 is given the lowest priority, the priority of channel 0, which was higher than channel 1, is also shifted simultaneously.

Priority order after transfer CH2 > CH3 > CH0 > CH1

Transfer on channel 2

Initial priority order CH0 > CH1 > CH2 > CH3

When channel 2 is given the lowest priority, the priorities of channels 0 and 1, which were higher than channel 2, are also shifted simultaneously. If there is a transfer request for channel 1 only immediately afterward, channel 1 is given the lowest priority and the priorities of channels 3 and 0 are simultaneously shifted down.

Priority order after transfer CH3 > CH0 > CH1 > CH2

Priority after transfer due to issuance of a transfer request for channel 1 only.

CH2 > CH3 > CH0 > CH1

Transfer on channel 3

Initial priority order CH0 > CH1 > CH2 > CH3

No change in priority order

Priority order after transfer CH0 > CH1 > CH2 > CH3

Figure 14.3 Round Robin Mode

Figure 14.4 shows the changes in priority levels when transfer requests are issued simultaneously for channels 0 and 3, and channel 1 receives a transfer request during a transfer on channel 0. The operation of the DMAC in this case is as follows.

1. Transfer requests are issued simultaneously for channels 0 and 3.
2. Since channel 0 has a higher priority level than channel 3, the channel 0 transfer is executed first (channel 3 is on transfer standby).
3. A transfer request is issued for channel 1 during the channel 0 transfer (channels 1 and 3 are on transfer standby).
4. At the end of the channel 0 transfer, channel 0 shifts to the lowest priority level.
5. At this point, channel 1 has a higher priority level than channel 3, so the channel 1 transfer is started (channel 3 is on transfer standby).
6. At the end of the channel 1 transfer, channel 1 shifts to the lowest priority level.
7. The channel 3 transfer is started.
8. At the end of the channel 3 transfer, the channel 3 and channel 2 priority levels are lowered, giving channel 3 the lowest priority.

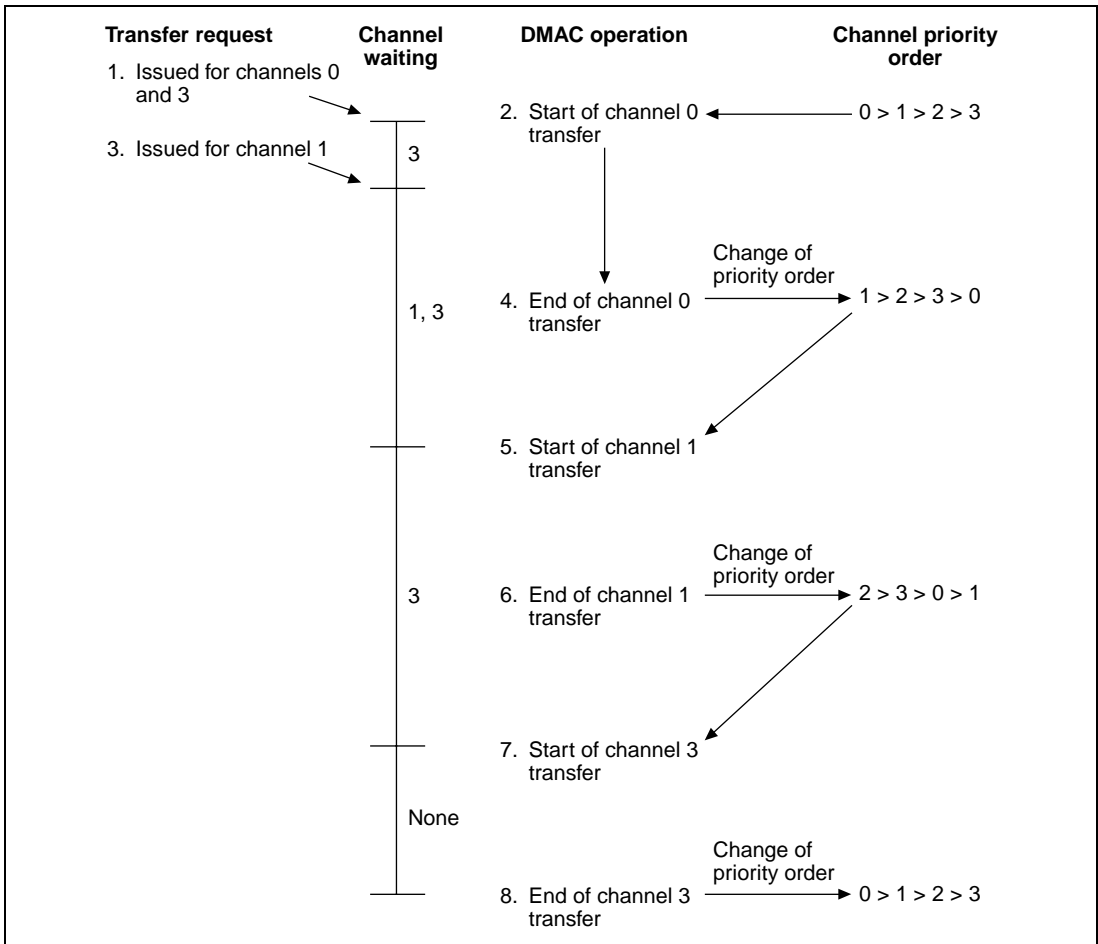


Figure 14.4 Example of Changes in Priority Order in Round Robin Mode

14.3.4 Types of DMA Transfer

The DMAC supports the transfers shown in table 14.6. It can operate in single address mode, in which either the transfer source or the transfer destination is accessed using the acknowledge signal, or in dual address mode, in which both the transfer source and transfer destination addresses are output. The actual transfer operation timing depends on the bus mode, which can be either burst mode or cycle steal mode.

Table 14.6 Supported DMA Transfers

Transfer Source	Transfer Destination			
	External Device with DACK	External Memory	Memory-Mapped External Device	On-Chip Peripheral Module
External device with DACK	Not available	Single address mode	Single address mode	Not available
External memory	Single address mode	Dual address mode	Dual address mode	Dual address mode
Memory-mapped external device	Single address mode	Dual address mode	Dual address mode	Dual address mode
On-chip peripheral module	Not available	Dual address mode	Dual address mode	Not available

Address Modes

Single Address Mode: In single address mode, both the transfer source and the transfer destination are external; one is accessed by the DACK signal and the other by an address. In this mode, the DMAC performs a DMA transfer in one bus cycle by simultaneously outputting the external device strobe signal (DACK) to either the transfer source or transfer destination external device to access it, while outputting an address to the other side of the transfer. Figure 14.5 shows an example of a transfer between external memory and an external device with DACK in which the external device outputs data to the data bus and that data is written to external memory in the same bus cycle.

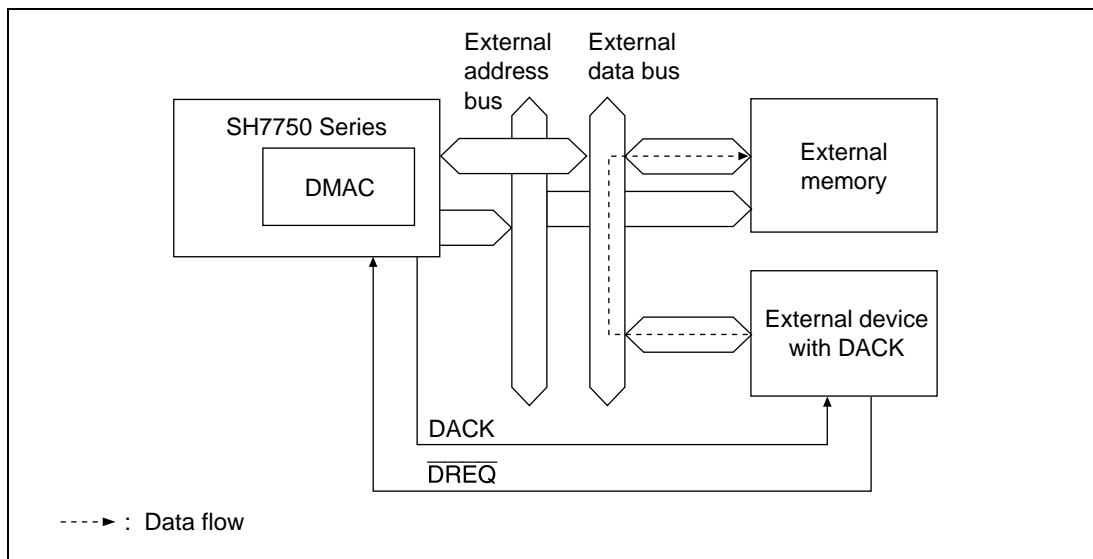
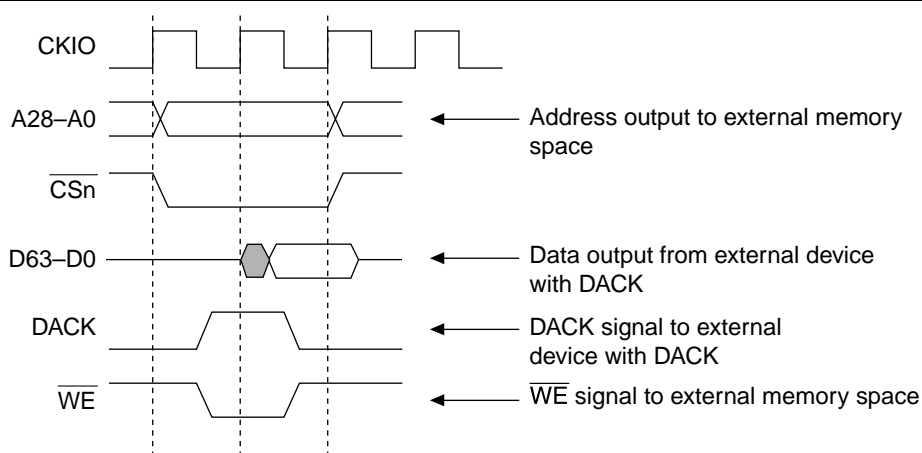


Figure 14.5 Data Flow in Single Address Mode

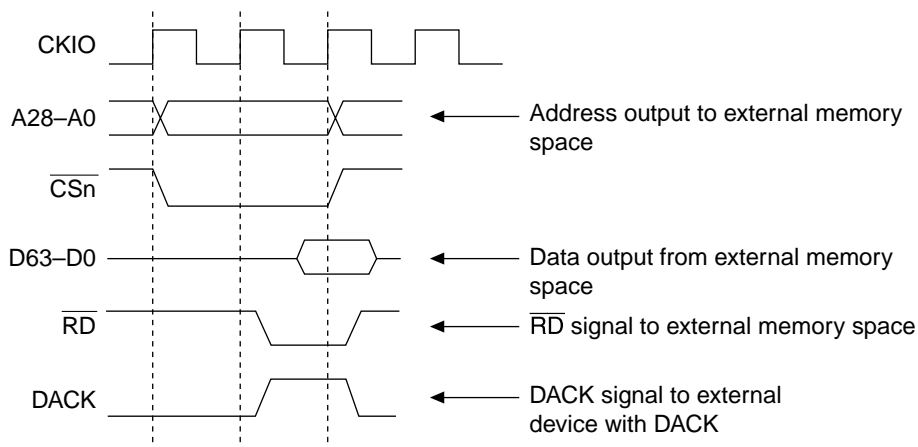
Two types of transfer are possible in single address mode: (1) transfer between an external device with DACK and a memory-mapped external device, and (2) transfer between an external device with DACK and external memory. Only the external request signal (\overline{DREQ}) is used in both these cases.

Figure 14.6 shows the DMA transfer timing for single address mode.

The access timing depends on the type of external memory. For details, see the descriptions of the memory interfaces in section 13, Bus State Controller (BSC).



(a) From external device with DACK to external memory space



(b) From external memory space to external device with DACK

Figure 14.6 DMA Transfer Timing in Single Address Mode

Dual Address Mode: Dual address mode is used to access both the transfer source and the transfer destination by address. The transfer source and destination can be accessed by either on-chip peripheral module or external address.

Even if the operand cache is used in RAM mode, the RAM cannot be set as the transfer source or transfer destination.

In dual address mode, data corresponding to the size specified by CHCRn.TS is read from the transfer source in the data read cycle, and, in the data write cycle, it is transferred in two bus cycles in order to write in the transfer destination the data corresponding to the size specified by

CHCRn.TS. In this process, the transfer data is temporarily stored in the data buffer in the bus state controller (BSC).

In a transfer between external memories such as that shown in figure 14.7, data is read from external memory into the BSC's data buffer in the read cycle, then written to the other external memory in the write cycle. Figure 14.8 shows the timing for this operation. The DACK output timing is the same as that of \overline{CSn} in a read or write cycle specified by the CHCRn.AM bit.

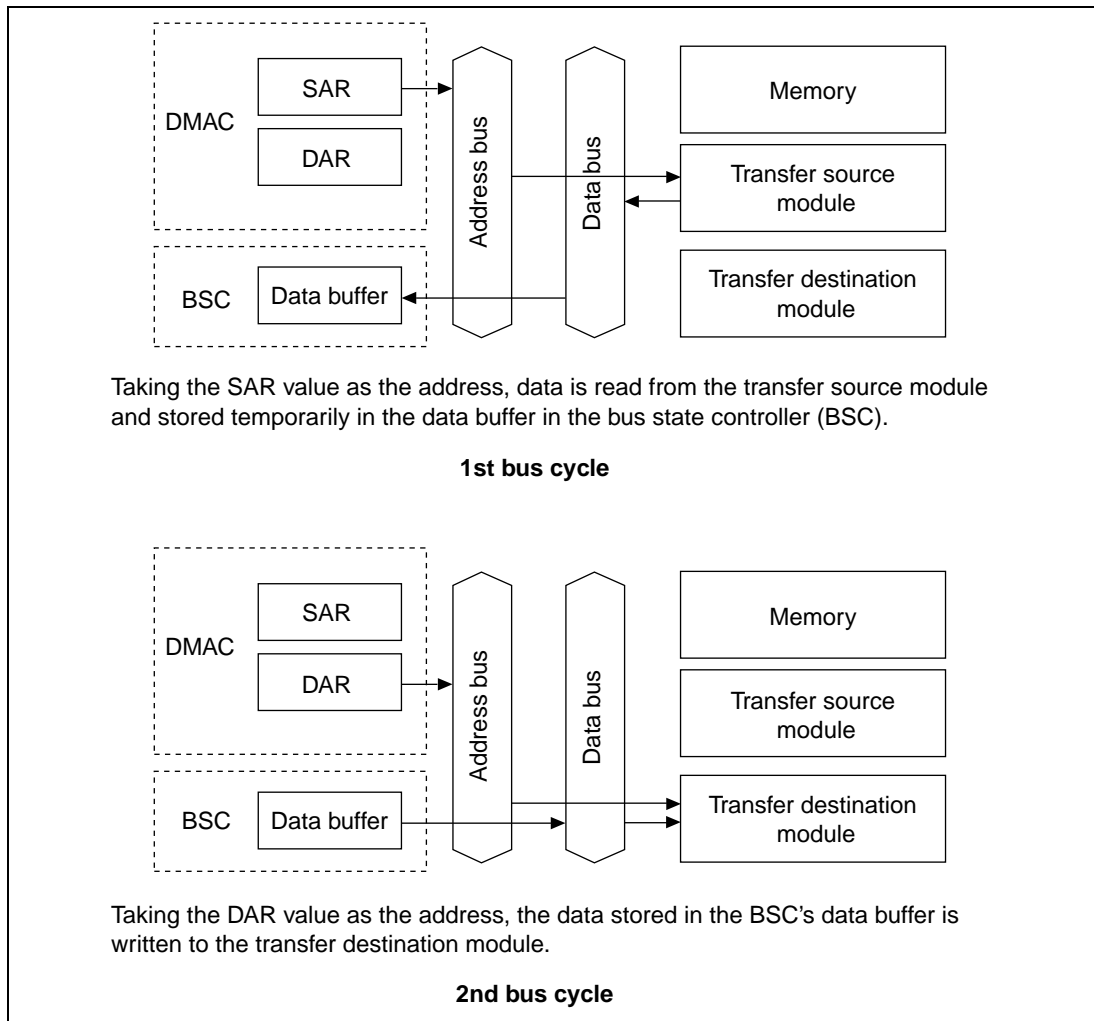


Figure 14.7 Operation in Dual Address Mode

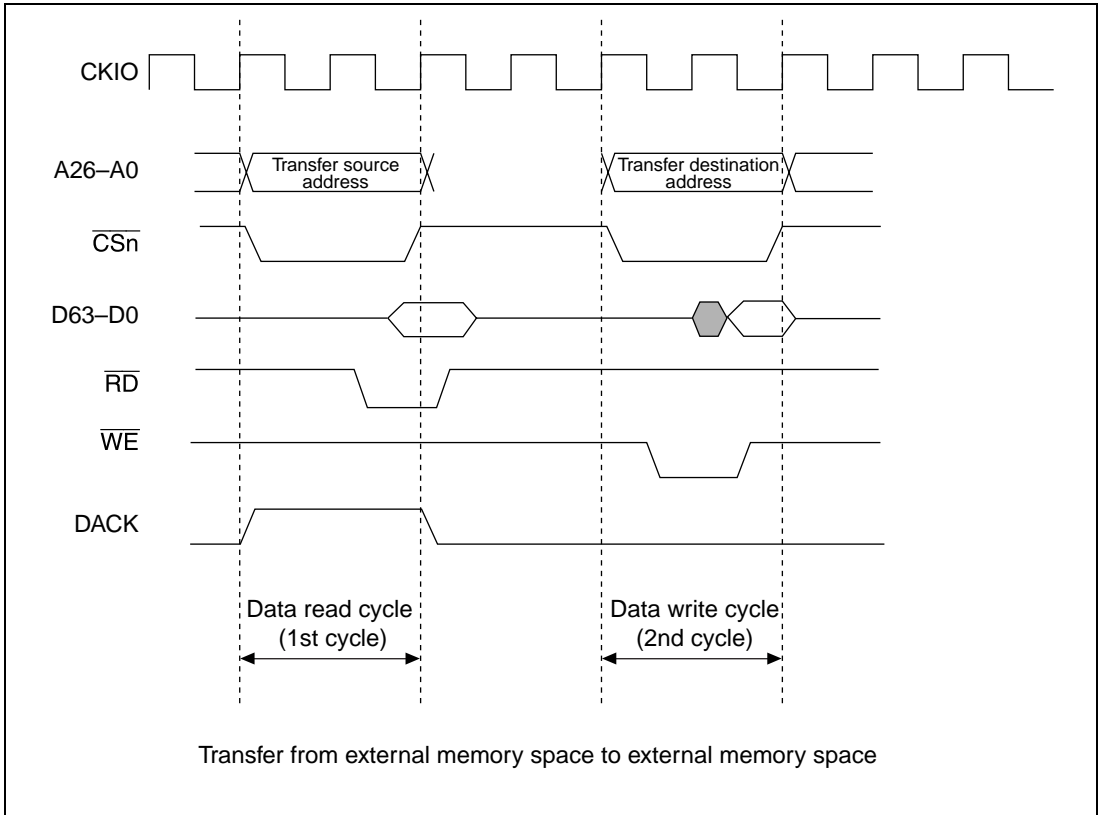


Figure 14.8 Example of Transfer Timing in Dual Address Mode

Bus Modes

There are two bus modes, cycle steal mode and burst mode, selected with the TM bit in CHCR0–CHCR3.

Cycle Steal Mode: In cycle steal mode, the DMAC releases the bus to the CPU at the end of each transfer-unit (8-bit, 16-bit, 32-bit, 64-bit, or 32-byte) transfer. When the next transfer request is issued, the DMAC reacquires the bus from the CPU and carries out another transfer-unit transfer. At the end of this transfer, the bus is again given to the CPU. This is repeated until the transfer end condition is satisfied.

Cycle steal mode can be used with all categories of transfer request source, transfer source, and transfer destination.

Figure 14.9 shows an example of DMA transfer timing in cycle steal mode. The transfer conditions in this example are dual address mode and $\overline{\text{DREQ}}$ level detection.

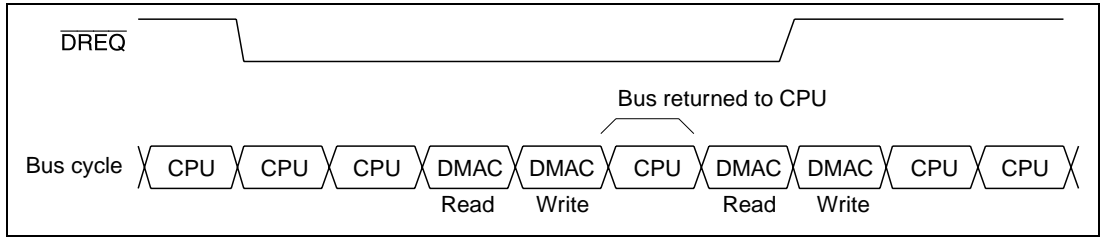


Figure 14.9 Example of DMA Transfer in Cycle Steal Mode

Burst Mode: In burst mode, once the DMAC has acquired the bus it holds the bus and transfers data continuously until the transfer end condition is satisfied. With \overline{DREQ} low level detection in external request mode, however, when \overline{DREQ} is driven high the bus passes to another bus master after the end of the DMAC transfer request that has already been accepted, even if the transfer end condition has not been satisfied.

Figure 14.10 shows an example of DMA transfer timing in burst mode. The transfer conditions in this example are single address mode and \overline{DREQ} level detection (CHCRn.DS = 0, CHCRn.TM = 1).

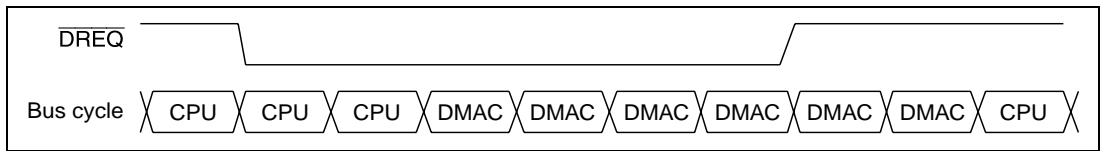


Figure 14.10 Example of DMA Transfer in Burst Mode

Note: Burst mode can be set regardless of the transfer size. A 32-byte block transfer burst mode setting can also be made.

Relationship between DMA Transfer Type, Request Mode, and Bus Mode

Table 14.7 shows the relationship between the type of DMA transfer, the request mode, and the bus mode.

Table 14.7 Relationship between DMA Transfer Type, Request Mode, and Bus Mode

Address Mode	Type of Transfer	Request Mode	Bus Mode	Transfer Size (Bits)	Usable Channels
Single	External device with DACK and external memory	External	B/C	8/16/32/64/32B	0, 1 (2, 3) ^{*6}
	External device with DACK and memory-mapped external device	External	B/C	8/16/32/64/32B	0, 1 (2, 3) ^{*6}
Dual	External memory and external memory	Internal ^{*1} External ^{*7}	B/C	8/16/32/64/32B	0, 1, 2, 3 ^{*5 *6}
	External memory and memory-mapped external device	Internal ^{*1} External ^{*7}	B/C	8/16/32/64/32B	0, 1, 2, 3 ^{*5 *6}
	Memory-mapped external device and memory-mapped external device	Internal ^{*1} External ^{*7}	B/C	8/16/32/64/32B	0, 1, 2, 3 ^{*5 *6}
	External memory and on-chip peripheral module	Internal ^{*2}	B/C ^{*3}	8/16/32/64 ^{*4}	0, 1, 2, 3 ^{*5 *6}
	Memory-mapped external device and on-chip peripheral module	Internal ^{*2}	B/C ^{*3}	8/16/32/64 ^{*4}	0, 1, 2, 3 ^{*5 *6}

32B: 32-byte burst transfer

B: Burst

C: Cycle steal

External: External request

Internal: Auto-request or on-chip peripheral module request

Notes: *1 External request, auto-request, or on-chip peripheral module request (TMU input capture interrupt request) possible. In the case of an on-chip peripheral module request, it is not possible to specify external memory data transfer with the SCI (SCIF) as the transfer request source.

*2 External request, auto-request, or on-chip peripheral module request possible. If the transfer request source is the SCI (SCIF), either the transfer source must be SCRDR1 (SCFRDR2) or the transfer destination must be SCTDR1 (SCFTDR2).

*3 When the transfer request source is the SCI (SCIF), only cycle steal mode can be used.

*4 Access size permitted for the on-chip peripheral module register that is the transfer source or transfer destination.

*5 When the transfer request is an external request, only channels 0 and 1 can be used.

*6 In DDT mode, transfer requests can be accepted for all channels from external devices capable of DTR format output.

*7 See tables 14.8 and 14.9 for the transfer sources and transfer destinations in DMA transfer by means of an external request.

(a) Normal DMA Mode

Table 14.8 shows the memory interfaces that can be specified for the transfer source and transfer destination in DMA transfer initiated by an external request supported by the SH7750 Series in normal DMA mode.

Table 14.8 External Request Transfer Sources and Destinations in Normal Mode

Transfer Direction (Settable Memory Interface)		Address Mode	Usable DMAC Channels
Transfer Source	Transfer Destination		
1 Synchronous DRAM	External device with DACK	Single	0, 1
2 External device with DACK	Synchronous DRAM	Single	0, 1
3 SRAM-type, DRAM	External device with DACK	Single	0, 1
4 External device with DACK	SRAM-type, DRAM	Single	0, 1
5 Synchronous DRAM	SRAM-type, MPX, PCMCIA	* Dual	0, 1
6 SRAM-type, MPX, PCMCIA	* Synchronous DRAM	Dual	0, 1
7 SRAM-type, DRAM, PCMCIA, MPX	SRAM-type, MPX, PCMCIA	* Dual	0, 1
8 SRAM-type, MPX, PCMCIA	* SRAM-type, DRAM, PCMCIA, MPX	Dual	0, 1

*: DACK output setting in dual address mode transfer

"SRAM-type" in the table indicates an SRAM, byte control SRAM, or burst ROM setting.

Notes: 1. Memory interfaces on which transfer is possible in single address mode are SRAM, byte control SRAM, burst ROM, DRAM, and synchronous DRAM.

2. When performing dual address mode transfer, make the DACK output setting for the SRAM, byte control SRAM, burst ROM, PCMCIA, or MPX interface.

(b) DDT Mode

Table 14.9 shows the memory interfaces that can be specified for the transfer source and transfer destination in DMA transfer initiated by an external request supported by the SH7750 Series in DDT mode.

Table 14.9 External Request Transfer Sources and Destinations in DDT Mode

Transfer Direction (Settable Memory Interface)		Address Mode	Usable DMAC Channels
Transfer Source	Transfer Destination		
1	Synchronous DRAM* ¹	Single	0, 1, 2, 3
2	External device with DACK	Single	0, 1, 2, 3
3	Synchronous DRAM	* ² Dual	0, 1, 2, 3
4	SRAM-type, MPX, PCMCIA * ²	Dual	0, 1, 2, 3
5	SRAM-type, DRAM, PCMCIA, MPX	* ² Dual	0, 1, 2, 3
6	SRAM-type, MPX, PCMCIA * ²	Dual	0, 1, 2, 3
	SRAM-type, DRAM, PCMCIA, MPX		

"SRAM-type" in the table indicates an SRAM, byte control SRAM, or burst ROM setting.

Notes: 1. The only memory interface on which single address mode transfer is possible in DDT mode is synchronous DRAM.

2. When performing dual address mode transfer, make the DACK output setting for the SRAM, byte control SRAM, burst ROM, PCMCIA, or MPX interface.

*1 In SH7750, the bus width must be 64 bits

*2 DACK output setting in dual address mode transfer

Bus Mode and Channel Priority Order

When, for example, channel 1 is transferring data in burst mode, and a transfer request is issued to channel 0, which has a higher priority, the channel 0 transfer is started immediately.

If fixed mode has been set for the priority levels (CH0 > CH1), transfer on channel 1 is continued after transfer on channel 0 is completely finished, whether cycle steal mode or burst mode is set for channel 0.

If round robin mode has been set for the priority levels, transfer on channel 1 is restarted after one transfer unit of data is transferred on channel 0, whether cycle steal mode or burst mode is set for channel 0. Channel execution alternates in the order: channel 1 → channel 0 → channel 1 → channel 0.

An example of round robin mode operation is shown in figure 14.11.

Since channel 1 is in burst mode (in the case of edge sensing) regardless of whether fixed mode or round robin mode is set for the priority order, the bus is not released to the CPU until channel 1 transfer ends.

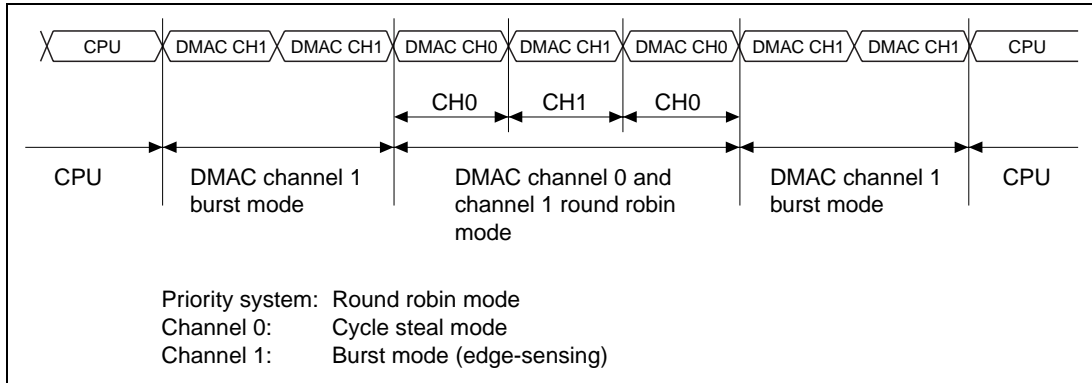


Figure 14.11 Bus Handling with Two DMAC Channels Operating

Note: When channel 1 is in level-sensing burst mode with the settings shown in figure 14.11, the bus is passed to the CPU during a break in requests.

14.3.5 Number of Bus Cycle States and $\overline{\text{DREQ}}$ Pin Sampling Timing

Number of States in Bus Cycle: The number of states in the bus cycle when the DMAC is the bus master is controlled by the bus state controller (BSC) just as it is when the CPU is the bus master. See section 13, Bus State Controller (BSC), for details.

$\overline{\text{DREQ}}$ Pin Sampling Timing: In external request mode, the $\overline{\text{DREQ}}$ pin is sampled at the rising edge of CKIO clock pulses. When $\overline{\text{DREQ}}$ input is detected, a DMAC bus cycle is generated and DMA transfer executed after four CKIO cycles at the earliest.

The second and subsequent $\overline{\text{DREQ}}$ sampling operations are performed one cycle after the start of the first DMAC transfer bus cycle (in the case of single address mode).

DRAK is output for one cycle only, once each time $\overline{\text{DREQ}}$ is detected, regardless of the transfer mode or $\overline{\text{DREQ}}$ detection method. In the case of burst mode edge detection, $\overline{\text{DREQ}}$ is sampled in the first cycle only, and so DRAK is output in the first cycle only.

Operation: Figures 14.12 to 14.22 show the timing in each mode.

1. Cycle Steal Mode

In cycle steal mode, The $\overline{\text{DREQ}}$ sampling timing differs for dual address mode and single address mode, and for level detection and edge detection of $\overline{\text{DREQ}}$.

For example, in figure 14.12 (cycle steal mode, dual address mode, level detection), DMAC transfer begins, at the earliest, four CKIO cycles after the first sampling operation. The second sampling operation is performed one cycle after the start of the first DMAC transfer write cycle. If $\overline{\text{DREQ}}$ is not detected at this time, sampling is executed in every subsequent cycle.

In figure 14.13 (cycle steal mode, dual address mode, edge detection), DMAC transfer begins, at the earliest, five CKIO cycles after the first sampling operation. The second sampling operation begins from the cycle in which the first DMAC transfer read cycle ends. If $\overline{\text{DREQ}}$ is not detected at this time, sampling is executed in every subsequent cycle.

For details of the timing for various kinds of memory access, see section 13, Bus State Controller (BSC).

Figure 14.18 shows the case of cycle steal mode, single address mode, and level detection. In this case, too, transfer is started, at the earliest, four CKIO cycles after the first $\overline{\text{DREQ}}$ sampling operation. The second sampling operation is performed one cycle after the start of the first DMAC transfer bus cycle.

Figure 14.19 shows the case of cycle steal mode, single address mode, and edge detection. In this case, transfer is started, at the earliest, five CKIO cycles after the first $\overline{\text{DREQ}}$ sampling operation. The second sampling begins one cycle after the first assertion of DRAK.

In single address mode, the DACK signal is output every DMAC transfer cycle.

2. Burst Mode, Dual Address Mode, Level Detection

$\overline{\text{DREQ}}$ sampling timing in burst mode using dual address mode and level detection is virtually the same as for cycle steal mode.

For example, in figure 14.14, DMAC transfer begins, at the earliest, four CKIO cycles after the first sampling operation. The second sampling operation is performed one cycle after the start of the first DMAC transfer write cycle.

In the case of dual address mode transfer initiated by an external request, the DACK signal can be output in either the read cycle or the write cycle of the DMAC transfer according to the specification of the AM bit in CHCR.

3. Burst Mode, Single Address Mode, Level Detection

$\overline{\text{DREQ}}$ sampling timing in burst mode using single address mode and level detection is shown in figure 14.20.

In the example shown in figure 14.20, DMAC transfer begins, at the earliest, four CKIO cycles after the first sampling operation, and the second sampling operation begins one cycle after the start of the first DMAC transfer bus cycle.

In single address mode, the DACK signal is output every DMAC transfer cycle.

In figure 14.22, with a 32-byte data size, 64-bit bus width, and SDRAM: row hit write, DMAC transfer begins, at the earliest, six CKIO cycles after the first sampling operation. The second sampling operation begins one cycle after DACK is asserted for the first DMAC transfer.

4. Burst Mode, Dual Address Mode, Edge Detection

In burst mode using dual address mode and edge detection, $\overline{\text{DREQ}}$ sampling is performed in the first cycle only.

For example, in the case shown in figure 14.15, DMAC transfer begins, at the earliest, five CKIO cycles after the first sampling operation. DMAC transfer then continues until the end of the number of data transfers set in DMATCR. $\overline{\text{DREQ}}$ is not sampled during this time, and therefore DRAK is output in the first cycle only.

In the case of dual address mode transfer initiated by an external request, the DACK signal can be output in either the read cycle or the write cycle of the DMAC transfer according to the specification of the AM bit in CHCR.

5. Burst Mode, Single Address Mode, Edge Detection

In burst mode using single address mode and edge detection, $\overline{\text{DREQ}}$ sampling is performed only in the first cycle.

For example, in the case shown in figure 14.21, DMAC transfer begins, at the earliest, five cycles after the first sampling operation. DMAC transfer then continues until the end of the number of data transfers set in DMATCR. $\overline{\text{DREQ}}$ is not sampled during this time, and therefore DRAK is output in the first cycle only.

In single address mode, the DACK signal is output every DMAC transfer cycle.

Suspension of DMA Transfer in Case of $\overline{\text{DREQ}}$ Level Detection

With $\overline{\text{DREQ}}$ level detection in burst mode or cycle steal mode, and in dual address mode or single address mode, the external device for which DMA transfer is being executed can judge from the rising edge of CKIO that DARK has been asserted, and suspend DMA transfer by negating $\overline{\text{DREQ}}$. In this case, the next DARK signal is not output.

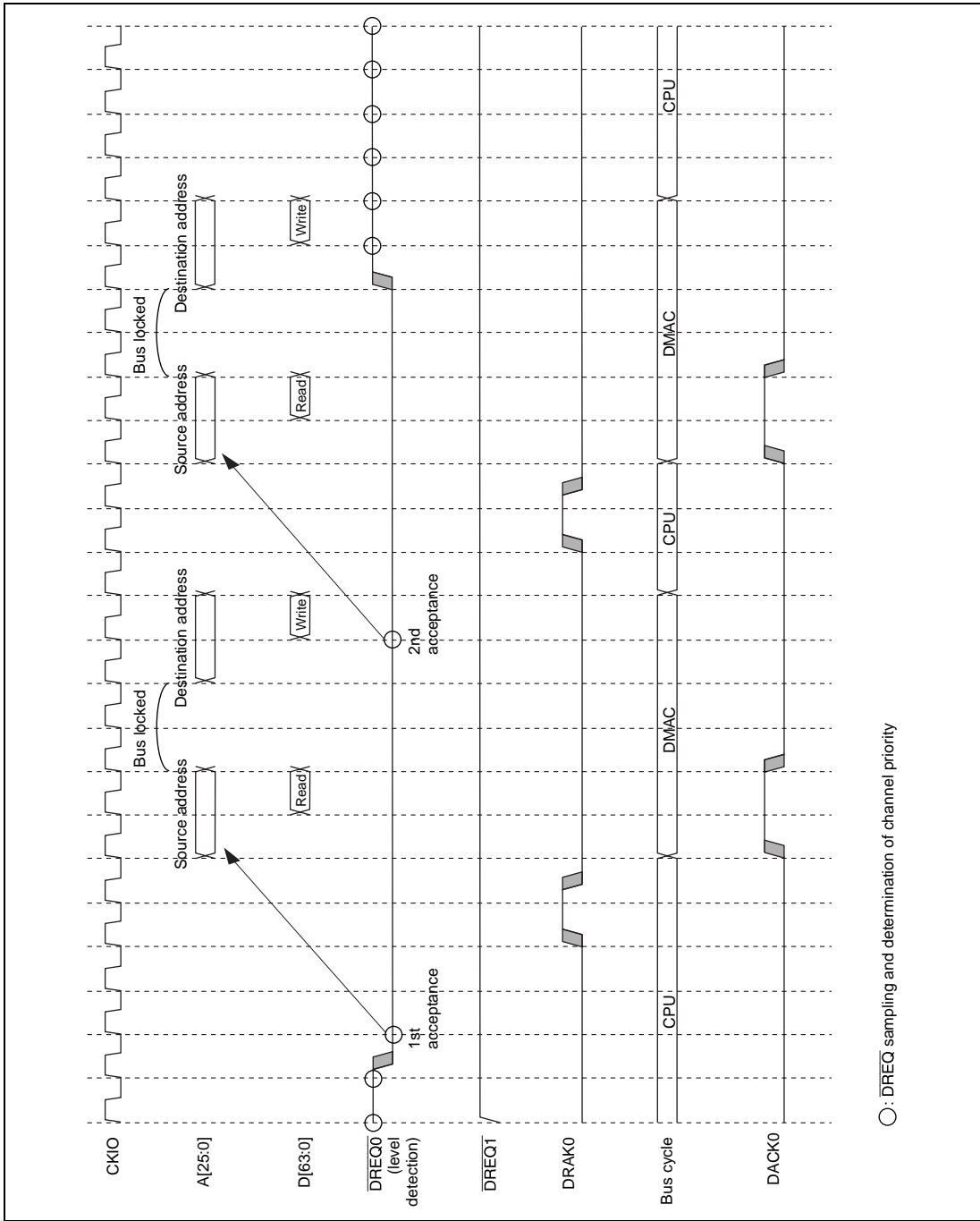


Figure 14.12 Dual Address Mode/Cycle Steal Mode
External Bus → External Bus/ $\overline{\text{DREQ}}$ (Level Detection), DACK (Read Cycle)

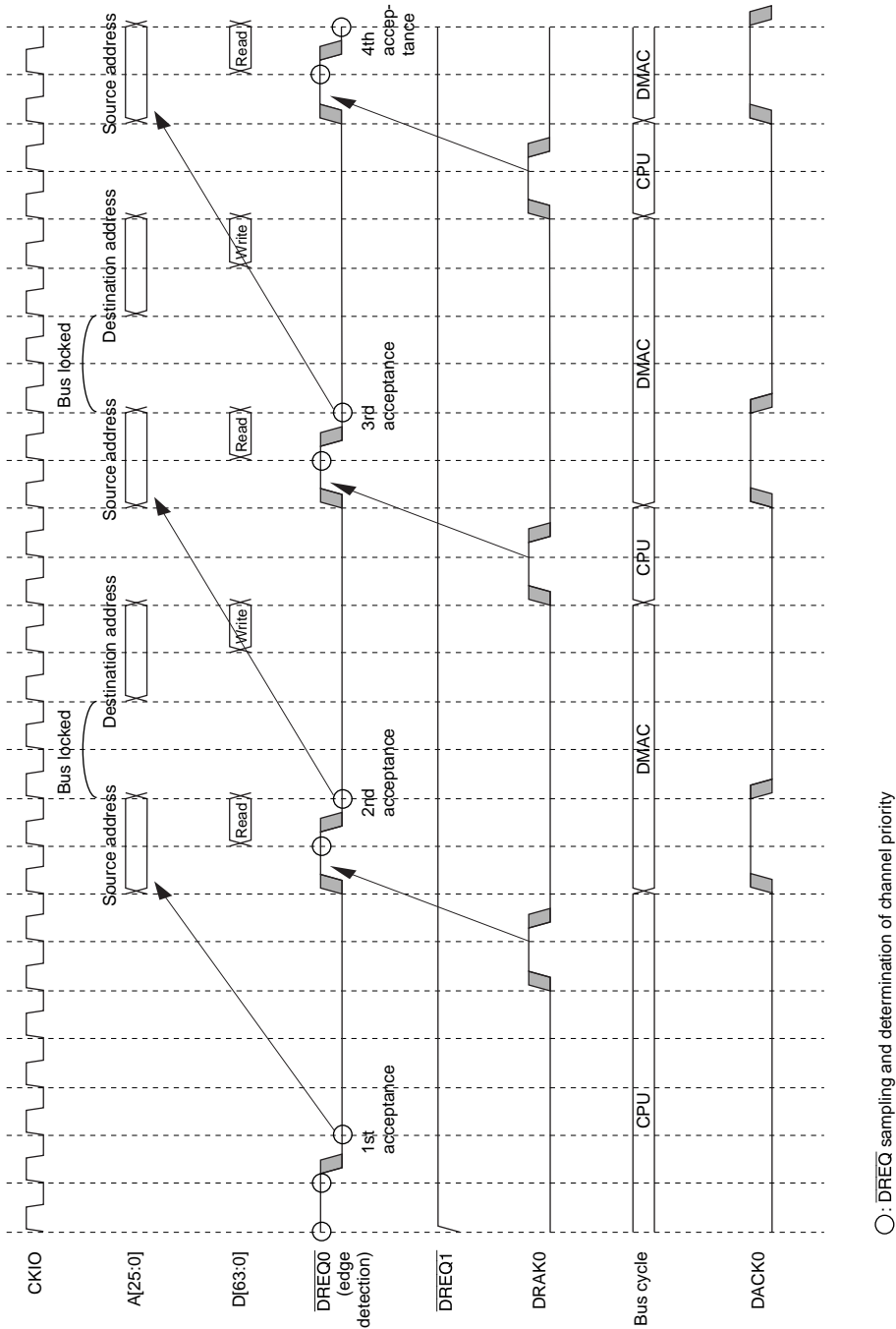


Figure 14.13 Dual Address Mode/Cycle Steal Mode
External Bus → External Bus/ $\overline{\text{DREQ}}$ (Edge Detection), DACK (Read Cycle)

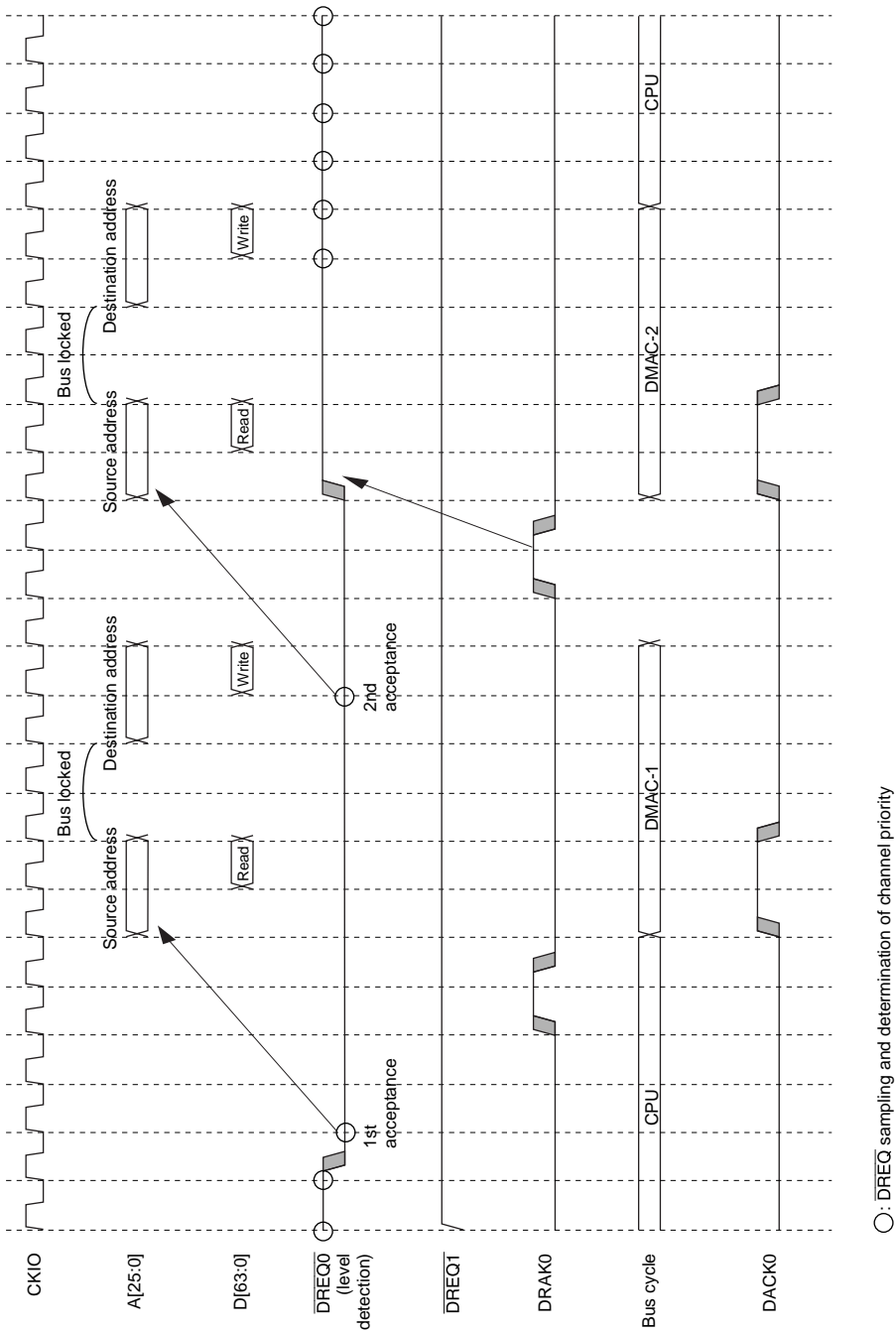


Figure 14.14 Dual Address Mode/Burst Mode

External Bus → External Bus/DREQ (Level Detection), DACK (Read Cycle)

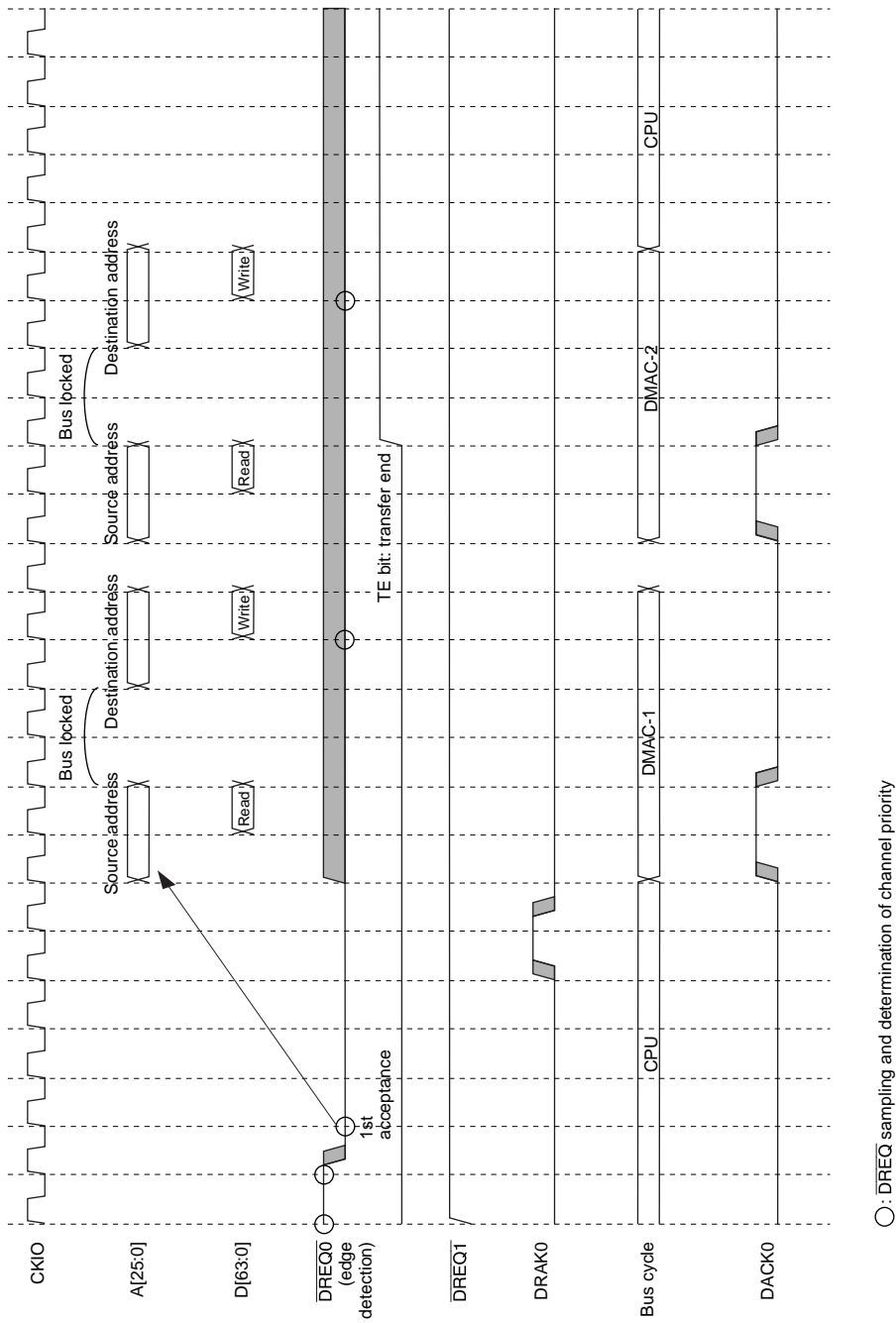
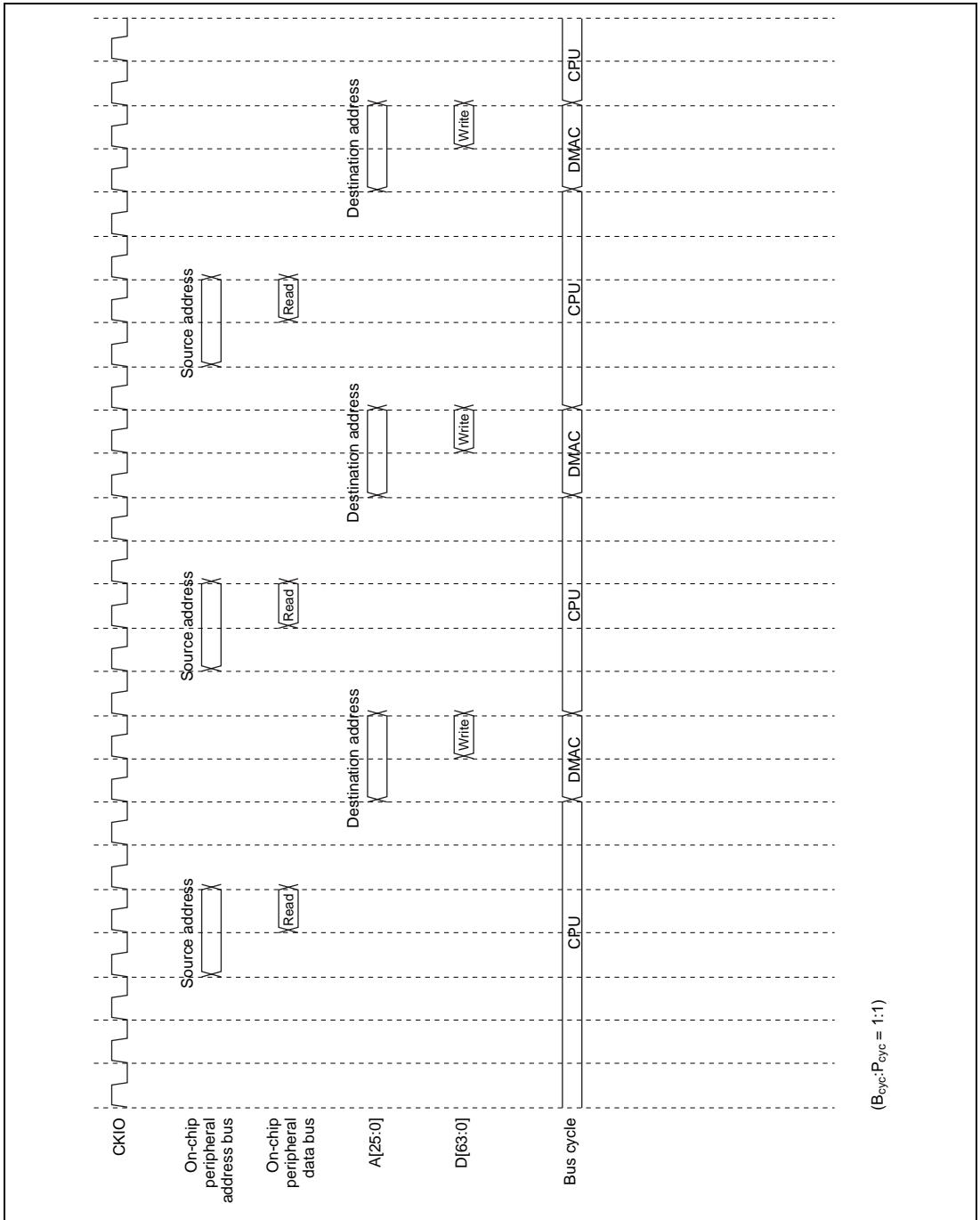
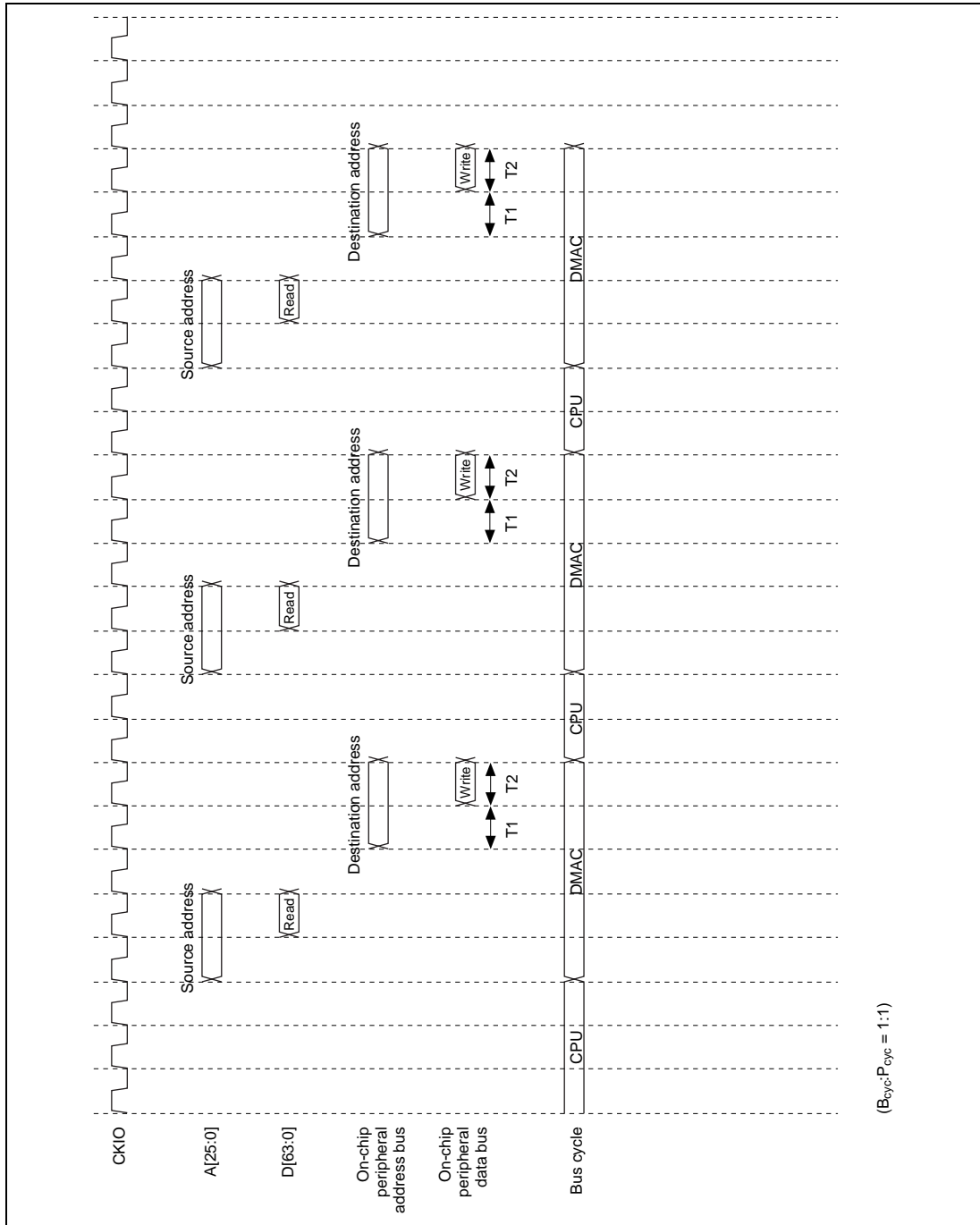


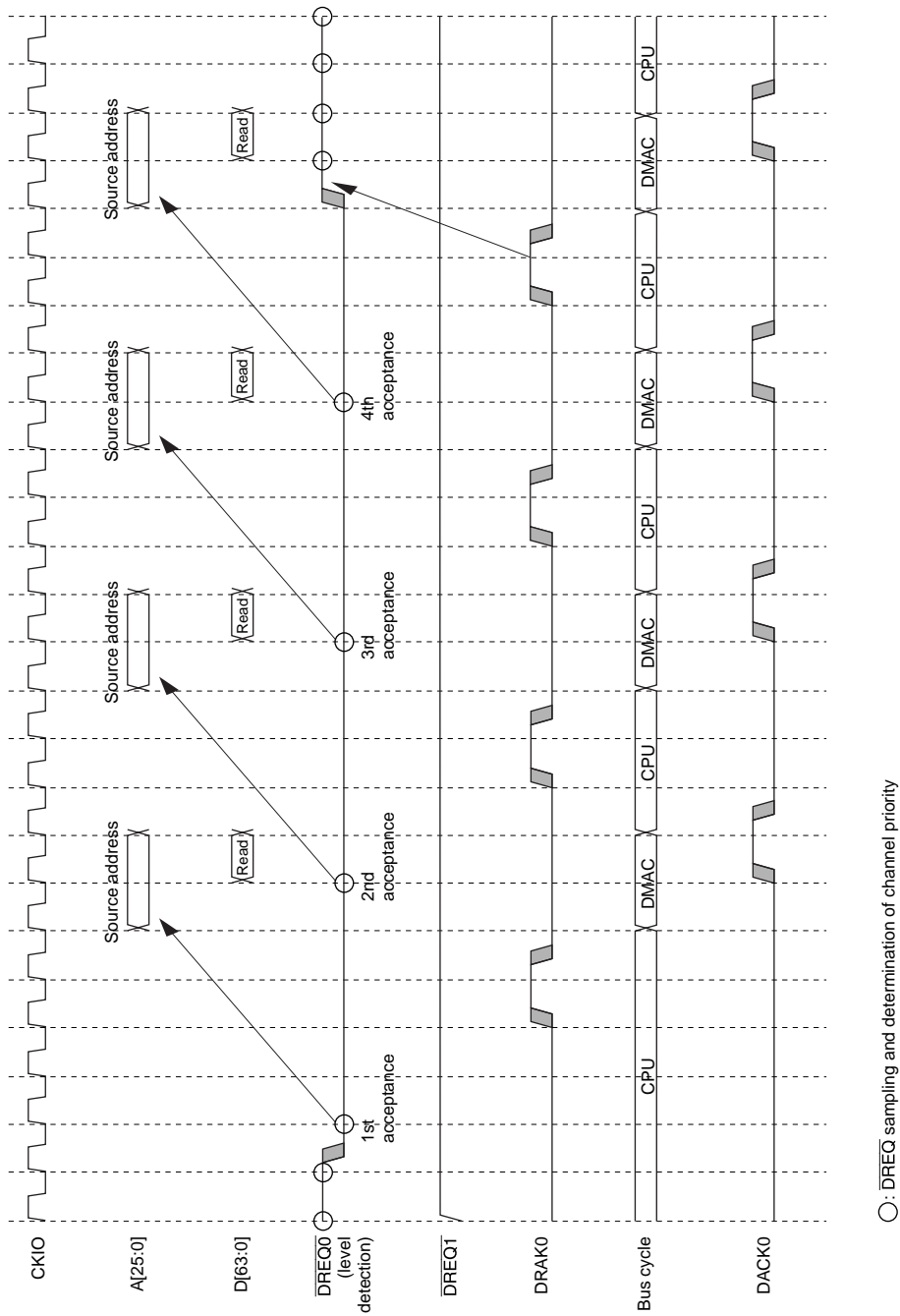
Figure 14.15 Dual Address Mode/Burst Mode
External Bus → External Bus/ $\overline{\text{DREQ}}$ (Edge Detection), DACK (Read Cycle)



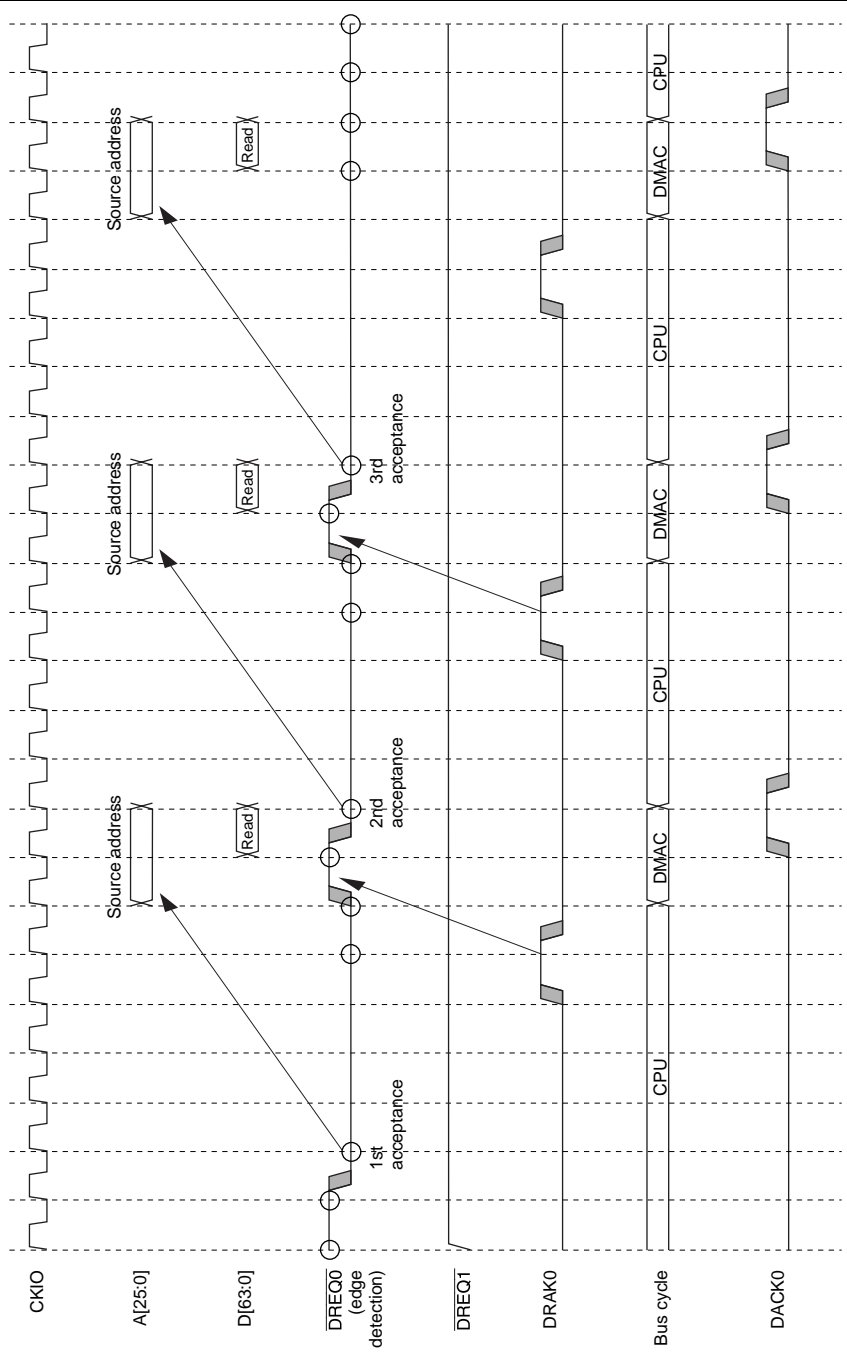
**Figure 14.16 Dual Address Mode/Cycle Steal Mode
On-Chip SCI (Level Detection) → External Bus**



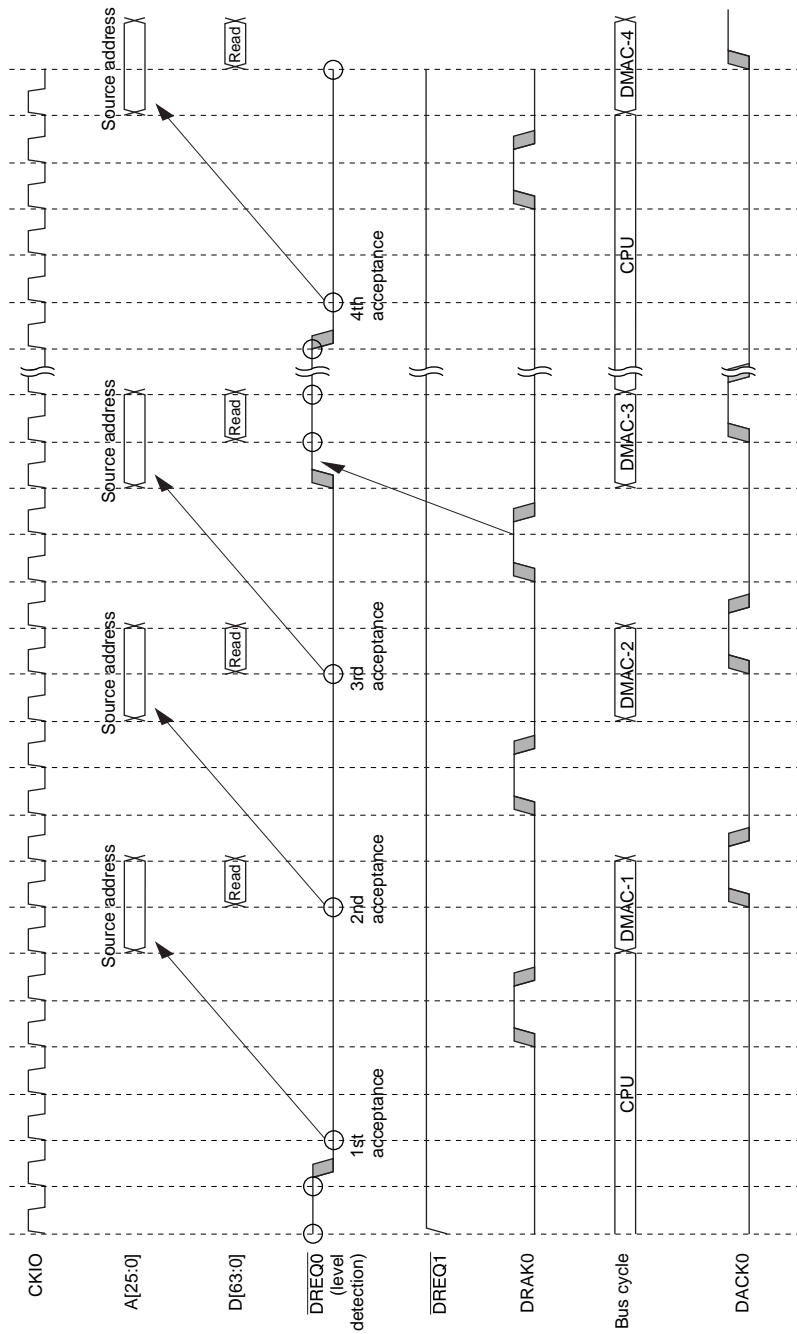
**Figure 14.17 Dual Address Mode/Cycle Steal Mode
External Bus → On-Chip SCI (Level Detection)**



**Figure 14.18 Single Address Mode/Cycle Steal Mode
External Bus → External Bus/ $\overline{\text{DREQ}}$ (Level Detection)**

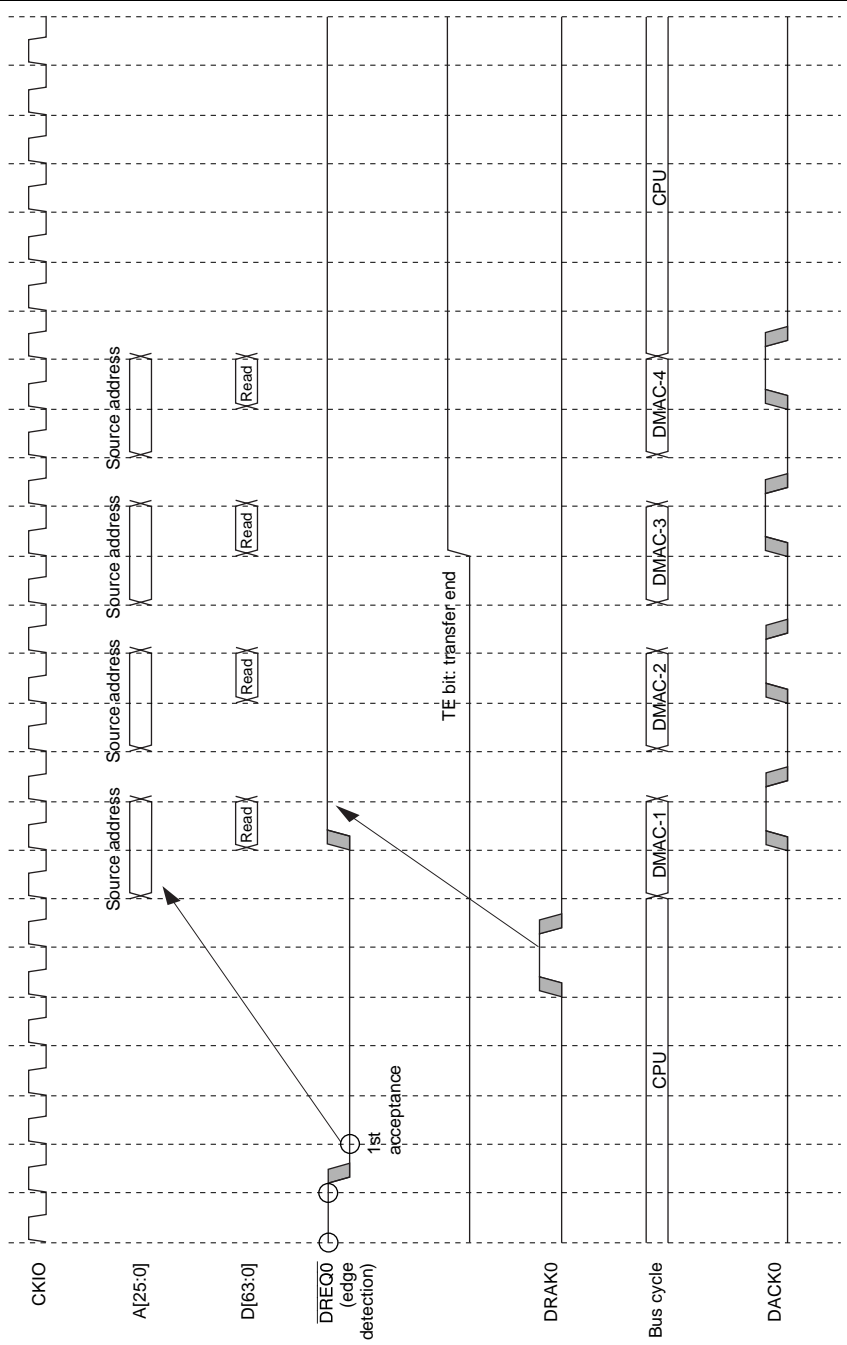


**Figure 14.19 Single Address Mode/Cycle Steal Mode
External Bus → External Bus/ \overline{DREQ} (Edge Detection)**



○: $\overline{\text{DREQ}}$ sampling and determination of channel priority

Figure 14.20 Single Address Mode/Burst Mode
External Bus → External Bus/ $\overline{\text{DREQ}}$ (Level Detection)



○: DREQ sampling and determination of channel priority

Figure 14.21 Single Address Mode/Burst Mode
External Bus → External Bus/ $\overline{\text{DREQ}}$ (Edge Detection)

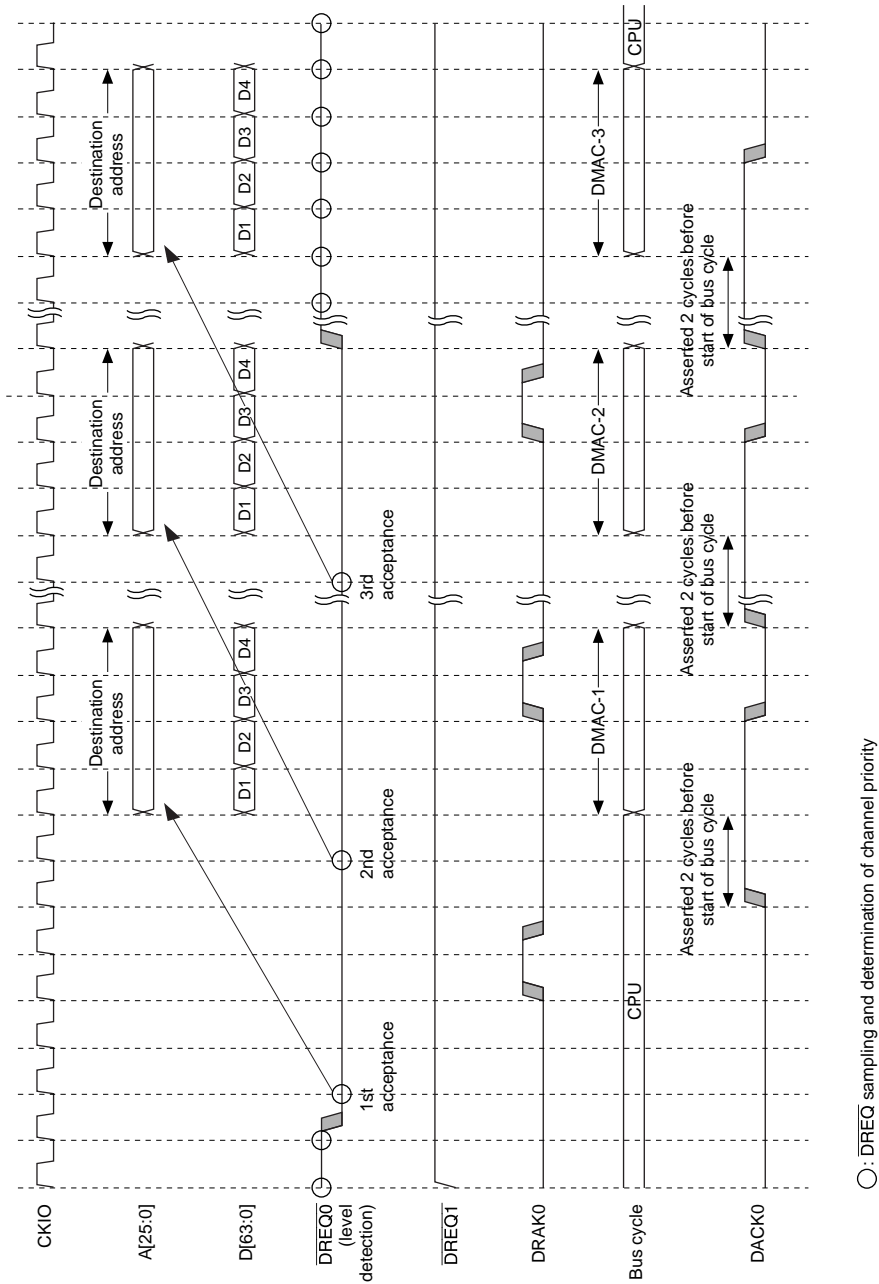


Figure 14.22 Single Address Mode/Burst Mode
External Bus → External Bus/ $\overline{\text{DREQ}}$ (Level Detection)/32-Byte Block Transfer
(Bus Width: 64 Bits, SDRAM: Row Hit Write)

14.3.6 Ending DMA Transfer

The conditions for ending DMA transfer are different for ending on individual channels and for ending on all channels together. Except for the case where transfer ends when the value in the DMA transfer count register (DMATCR) reaches 0, the following conditions apply to ending transfer.

1. Cycle Steal Mode (External Request, On-Chip Peripheral Module Request, Auto-Request)

When a transfer end condition is satisfied, acceptance of DMAC transfer requests is suspended. The DMAC completes transfer for the transfer requests accepted up to the point at which the transfer end condition was satisfied, then stops.

In cycle steal mode, the operation is the same for both edge and level transfer request detection.

2. Burst Mode, Edge Detection (External Request, On-Chip Peripheral Module Request, Auto-Request)

The delay between the point at which a transfer end condition is satisfied and the point at which the DMAC actually stops is the same as in cycle steal mode. In burst mode with edge detection, only the first transfer request activates the DMAC, but the timing of stop request ($DE = 0$ in CHCR, $DME = 0$ in DMAOR) sampling is the same as the transfer request sampling timing shown in 4 and 5 under Operation in section 14.3.5. Therefore, a transfer request is regarded as having been issued until a stop request is detected, and the corresponding processing is executed before the DMAC stops.

3. Burst Mode, Level Detection (External Request)

The delay between the point at which a transfer end condition is satisfied and the point at which the DMAC actually stops is the same as in cycle steal mode. As in the case of burst mode with edge detection, the timing of stop request ($DE = 0$ in CHCR, $DME = 0$ in DMAOR) sampling is the same as the transfer request sampling timing shown in 2 and 3 under Operation in section 14.3.5. Therefore, a transfer request is regarded as having been issued until a stop request is detected, and the corresponding processing is executed before the DMAC stops.

4. Transfer Suspension Bus Timing

Transfer suspension is executed on completion of processing for one transfer unit. In dual address mode transfer, write cycle processing is executed even if a transfer end condition is satisfied during the read cycle, and the transfers covered in 1, 2, and 3 above are also executed before operation is suspended.

Conditions for Ending Transfer on Individual Channels: Transfer ends on the corresponding channel when either of the following conditions is satisfied:

- The value in the DMA transfer count register (DMATCR) reaches 0.
- The DE bit in the DMA channel control register (CHCR) is cleared to 0.

1. End of transfer when $DMATCR = 0$

When the DMATCR value reaches 0, DMA transfer ends on the corresponding channel and the transfer end flag (TE) in CHCR is set. If the interrupt enable bit (IE) is set at this time, an interrupt (DMTE) request is sent to the CPU.

Transfer ending when $DMATCR = 0$ does not follow the procedures described in 1, 2, 3, and 4 in section 14.3.6.

2. End of transfer when $DE = 0$ in CHCR

When the DMA enable bit (DE) in CHCR is cleared, DMA transfer is suspended on the corresponding channel. The TE bit is not set in this case. Transfer ending in this case follows the procedures described in 1, 2, 3, and 4 in section 14.3.6.

Conditions for Ending Transfer Simultaneously on All Channels: Transfer ends on all channels simultaneously when either of the following conditions is satisfied:

- The address error bit (AE) or NMI flag (NMIF) in the DMA operation register (DMAOR) is set to 1.
- The DMA master enable bit (DME) in DMAOR is cleared to 0.

1. End of transfer when $AE = 1$ in DMAOR

If the AE bit in DMAOR is set to 1 due to an address error, DMA transfer is suspended on all channels in accordance with the conditions in 1, 2, 3, and 4 in section 14.3.6, and the bus is passed to the CPU. Therefore, when AE is set to 1, the values in the DMA source address register (SAR), DMA destination address register (DAR), and DMA transfer count register (DMATCR) indicate the addresses for the DMA transfer to be performed next and the remaining number of transfers. The TE bit is not set in this case. Before resuming transfer, it is necessary to make a new setting for the channel that caused the address error, then write 0 to the AE bit after first reading 1 from it. Acceptance of external requests is suspended while AE is set to 1, so a DMA transfer request must be reissued when resuming transfer. Acceptance of internal requests is also suspended, so when resuming transfer, the DMA transfer request enable bit for the relevant on-chip peripheral module must be cleared to 0 before the new setting is made.

2. End of transfer when NMIF = 1 in DMAOR

If the NMIF bit in DMAOR is set to 1 due to an NMI interrupt, DMA transfer is suspended on all channels in accordance with the conditions in 1, 2, 3, and 4 in section 14.3.6, and the bus is passed to the CPU. Therefore, when NMIF is set to 1, the values in the DMA source address register (SAR), DMA destination address register (DAR), and DMA transfer count register (DMATCR) indicate the addresses for the DMA transfer to be performed next and the remaining number of transfers. The TE bit is not set in this case. Before resuming transfer after NMI interrupt handling is completed, 0 must be written to the NMIF bit after first reading 1 from it. As in the case of AE being set to 1, acceptance of external requests is suspended while NMIF is set to 1, so a DMA transfer request must be reissued when resuming transfer. Acceptance of internal requests is also suspended, so when resuming transfer, the DMA transfer request enable bit for the relevant on-chip peripheral module must be cleared to 0 before the new setting is made.

3. End of transfer when DME = 0 in DMAOR

If the DME bit in DMAOR is cleared to 0, DMA transfer is suspended on all channels in accordance with the conditions in 1, 2, 3, and 4 in section 14.3.6, and the bus is passed to the CPU. The TE bit is not set in this case. When DME is cleared to 0, the values in the DMA source address register (SAR), DMA destination address register (DAR), and DMA transfer count register (DMATCR) indicate the addresses for the DMA transfer to be performed next and the remaining number of transfers. When resuming transfer, DME must be set to 1. Operation will then be resumed from the next transfer.

14.4 Examples of Use

14.4.1 Examples of Transfer between External Memory and an External Device with DACK

Examples of transfer of data in external memory to an external device with DACK using DMAC channel 1 are considered here.

Table 14.10 shows the transfer conditions and the corresponding register settings.

Table 14.10 Conditions for Transfer between External Memory and an External Device with DACK, and Corresponding Register Settings

Transfer Conditions	Register	Set Value
Transfer source: external memory	SAR1	H'0C000000
Transfer source: external device with DACK	DAR1	(Accessed by DACK)
Number of transfers: 32	DMATCR1	H'00000020
Transfer source address: decremented	CHCR1	H'000022A5
Transfer destination address: (setting invalid)		
Transfer request source: external pin ($\overline{\text{DREQ1}}$) edge detection		
Bus mode: burst		
Transfer unit: word		
No interrupt request at end of transfer		
Channel priority order: 2 > 0 > 1 > 3	DMAOR	H'00000201

14.5 On-Demand Data Transfer Mode (DDT Mode)

14.5.1 Operation

Setting the DDT bit to 1 in DMAOR causes a transition to on-demand data transfer mode (DDT mode). In DDT mode, it is possible to specify direct single address mode transfer to channel 0 via the data bus and DDT module, and simultaneously issue a transfer request, using the $\overline{\text{DBREQ}}$, $\overline{\text{BAVL}}$, $\overline{\text{TR}}$, $\overline{\text{TDACK}}$, and ID [1:0] signals between an external device and the DMAC. Figure 14.23 shows a block diagram of the DMAC, DDT, BSC, and an external device (with $\overline{\text{DBREQ}}$, $\overline{\text{BAVL}}$, $\overline{\text{TR}}$, $\overline{\text{TDACK}}$, ID [1:0], and D [63:0] = DTR pins).

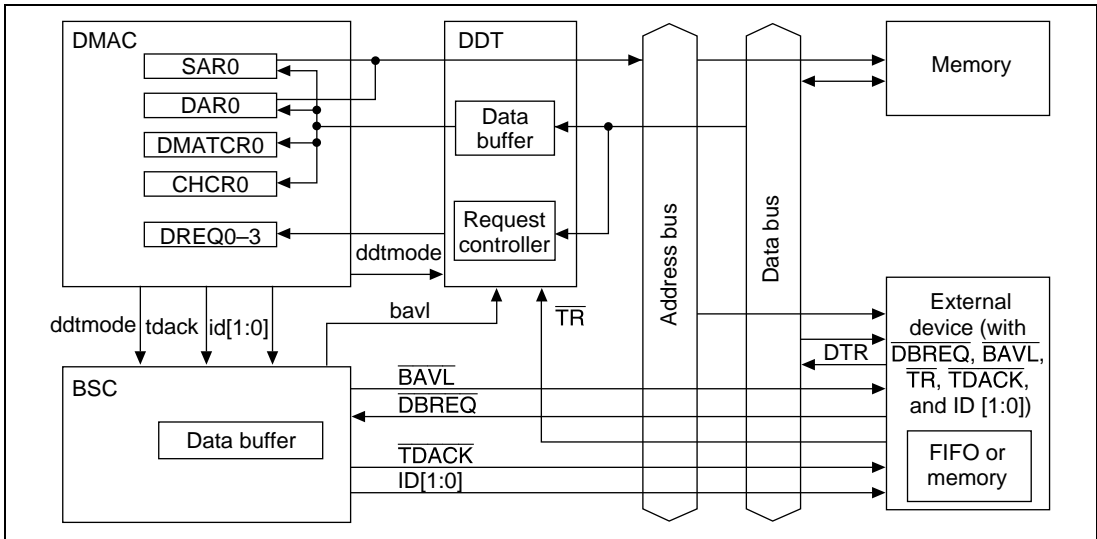


Figure 14.23 On-Demand Transfer Mode Block Diagram

For channels 0 to 3, after making the settings for normal DMA transfer using the CPU, a transfer request can be issued from an external device using the $\overline{\text{DBREQ}}$, $\overline{\text{BAVL}}$, $\overline{\text{TR}}$, $\overline{\text{TDACK}}$, ID [1:0], and D [63:0] = DTR signals (handshake protocol using the data bus). A transfer request can also be issued simply by asserting $\overline{\text{TR}}$, without using the external bus (handshake protocol without use of the data bus). For channel 2, after making the DMA transfer settings in the normal way, a transfer request can be issued directly from an external device (with $\overline{\text{DBREQ}}$, $\overline{\text{BAVL}}$, $\overline{\text{TR}}$, $\overline{\text{TDACK}}$, ID [1:0], and D [63:0] = DTR pins) by asserting $\overline{\text{DBREQ}}$ and $\overline{\text{TR}}$ simultaneously.

Note: DTR format = Data transfer request format

In DDT mode, there is a choice of five modes for performing DMA transfer.

1. Normal data transfer mode (channel 0)

$\overline{\text{BAVL}}$ (the data bus available signal) is asserted in response to $\overline{\text{DBREQ}}$ (the data bus request signal) from an external device. Two CKIO-synchronous cycles after $\overline{\text{BAVL}}$ is asserted, the external data bus drives the data transfer setting command (DTR command) in synchronization with $\overline{\text{TR}}$ (the transfer request signal). The initial settings are then made in the DMAC channel 0 control register, and the DMA transfer is processed.

2. Normal data transfer mode (channels 1 to 3)

In this mode, the data transfer settings are made in the DMAC from the CPU, and DMA transfer requests only are performed from the external device.

As in 1 above, $\overline{\text{DBREQ}}$ is asserted from the external device and the external bus is secured, then the DTR format is driven.

The transfer request channel can be specified by means of the two ID bits in the DTR format.

3. Handshake protocol using the data bus (valid for channel 0 only)

This mode is only valid for channel 0.

After the initial settings have been made in the DMAC channel 0 control register by means of normal data transfer mode (channel 0) in the SH7750, or after the initial settings have been made in the DMAC channel 0 control register from the CPU or by means of normal data transfer mode (channel 0) in the SH7750S, the DDT module asserts a data transfer request for the DMAC by setting DTR format ID = 00, MD = 00, and SZ \neq 101 or 110, and driving the DTR format.

4. Handshake protocol without use of the data bus

The DDT module includes a function for recording the previously asserted request channel. By using this function, it is possible to assert a transfer request for the channel for which a request was asserted immediately before, by asserting $\overline{\text{TR}}$ only from an external device after a transfer request has once been made to the channel for which an initial setting has been made in the DMAC control register (DTR format and data transfer setting by the CPU in the DMAC).

5. Direct data transfer mode (valid for channel 2 only)

A data transfer request can be asserted for channel 2 by asserting $\overline{\text{DBREQ}}$ and $\overline{\text{TR}}$ simultaneously from an external device after the initial settings have been made in the DMAC channel 2 control register.

14.5.2 Pins in DDT Mode

Figure 14.24 shows the system configuration in DDT mode.

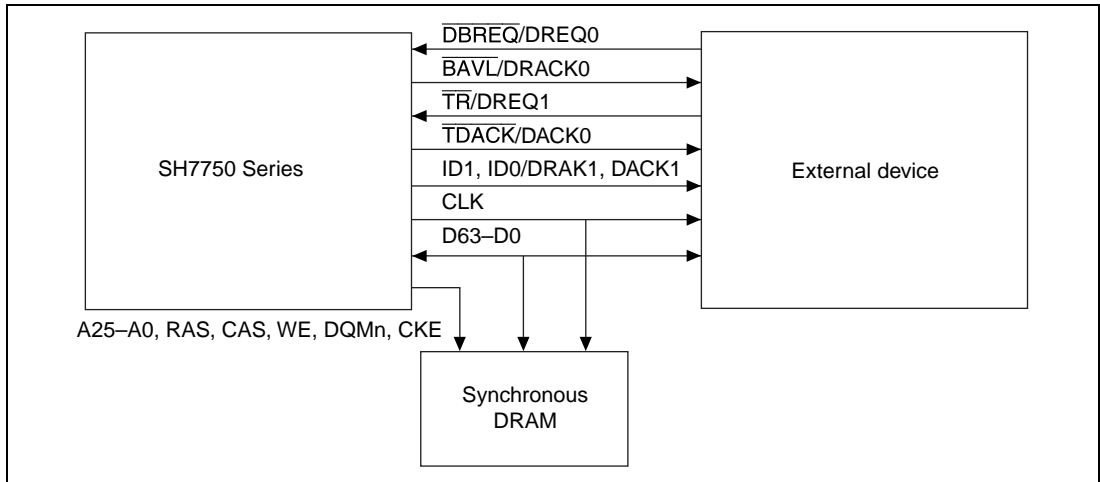


Figure 14.24 System Configuration in On-Demand Data Transfer Mode

- **DBREQ:** Data bus release request signal for transmitting the data transfer request format (DTR format) or a DMA request from an external device to the DMAC

If there is a wait for release of the data bus, an external device can have the data bus released by asserting $\overline{\text{DBREQ}}$. When $\overline{\text{DBREQ}}$ is accepted, the BSC asserts $\overline{\text{BAVL}}$.

- **BAVL:** Data bus D63–D0 release signal

Assertion of $\overline{\text{BAVL}}$ means that the data bus will be released two cycles later.

The SH-4 does not switch the data pins to output status for a total of three cycles: the cycle in which the data bus is released and the cycles preceding and following it.

- **TR:** Transfer request signal

Assertion of $\overline{\text{TR}}$ has the following different meanings.

- In normal data transfer mode (channel 0), $\overline{\text{TR}}$ is asserted, and at the same time the DTR format is output, two cycles after $\overline{\text{BAVL}}$ is asserted.
- In the case of the handshake protocol without use of the data bus, asserting $\overline{\text{TR}}$ enables a transfer request to be issued for the channel for which a transfer request was made immediately before. This function can be used only when $\overline{\text{BAVL}}$ is not asserted two cycles earlier.
- In the case of direct data transfer mode (valid only for channel 2), a direct transfer request can be made to channel 2 by asserting $\overline{\text{DBREQ}}$ and $\overline{\text{TR}}$ simultaneously.

- **TDACK:** Reply strobe signal for external device from DMAC

The assert timing of this signal is the same as the DACKn assert timing of the memory interfaces.

Note that it is a low active signal.

- **ID1, ID0:** Channel number notification signals
 - 00: Channel 0 (means demand data transfer)
 - 01: Channel 1
 - 10: Channel 2
 - 11: Channel 3

Data Transfer Request Format

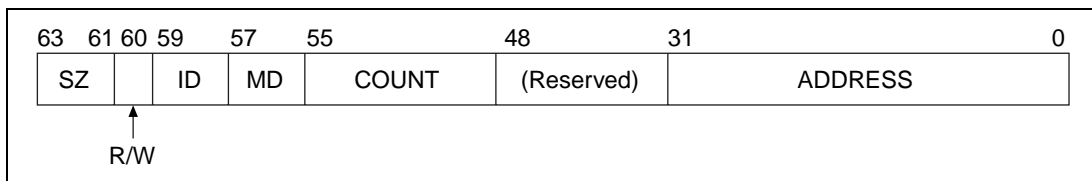


Figure 14.25 Data Transfer Request Format

The data transfer request format (DTR format) consists of 64 bits, with connection to D[63:0]. In the case of normal data transfer mode (channel 0, except channel 0) and the handshake protocol using the data bus, the transfer data size, read/write access, channel number, transfer request mode, number of transfers, and transfer source or transfer destination address are specified. A specification in bits 47–32 is invalid.

In the SH7750, only single address mode can be set in normal data transfer mode (channel 0). With the DTR format, DS = (0: MD = 10, 11, 1: MD = 01), RL = 0, AL = 0, DM[1:0] = 01, SM[1:0] = 01, RS[3:0] = (0010: R/W = 0, 0011: R/W = 1), TM = (0: MD = 11, 1: MD = 01, 10), TS[2:0] = (SZ), and IE = 0 settings are made in DMA channel control register 0, COUNT is set in transfer count register 0, and ADDRESS is set in source/destination address register 0. Therefore, in DDT mode, the above control registers cannot be written to by the CPU, but can be read.

In the SH7750S, DMAC control registers CHCR0, SAR0, DAR0, and DMATCR0 can be written to and read by the CPU even in normal data transfer mode (channel 0). Caution is necessary in this case, as a DMAC control register written to by the CPU will be overwritten by a subsequent transfer request (MD[1:0] = 01, 10, or 11) using the DTR format.

Bits 63 to 61: Transmit Size (SZ2–SZ0)

- 000: Byte size (8-bit) specification
- 001: Word size (16-bit) specification
- 010: Longword size (32-bit) specification

- 011: Quadword size (64-bit) specification
- 100: 32-byte block transfer specification
- 101: Setting prohibited
- 110: Request queue clear specification
- 111: Transfer end specification

Bit 60: Read/Write (R/W)

- 0: Memory read specification
- 1: Memory write specification

Bits 59 and 58: Channel Number (ID1, ID0)

- 00: Channel 0 (demand data transfer)
- 01: Channel 1
- 10: Channel 2
- 11: Channel 3

Bits 57 and 56: Transfer Request Mode (MD1, MD0)

- 00: Handshake protocol (data bus used)
- 01: Burst mode (edge detection) specification
- 10: Burst mode (level detection) specification
- 11: Cycle steal mode specification

Bits 55 to 48: Transfer Count (COUNT7–COUNT0)

- Transfer count: 1 to 255
- 00000000: Maximum number of transfers (16M)

Bits 47 to 32: Reserved

Bits 31 to 0: Address (ADDRESS31–ADDRESS0)

- R/W = 0: Transfer source address specification
- R/W = 1: Transfer destination address specification

- Notes:
1. Only the ID field is valid for channels 1 to 3.
 2. To start DMA transfer by means of demand data transfer on channel 0, the initial value of MD in the DTR format must be 01, 10, or 11.
 3. The COUNT field is ignored if MD = 00.
 4. In edge-sense burst mode, DMA transfer is executed continuously. In level-sense burst mode and cycle steal mode, a handshake protocol is used to transfer each unit of data.
 5. The maximum number of transfers can be specified by setting COUNT = 0 as DTR format initialization data. If the amount of data to be transferred is unknown, set COUNT = 0, start DMA transfer, and transfer the DTR format (ID = 00, MD ≠ 00, SZ

= 111) when the required amount of data has been transferred. This will terminate DMA transfer on channel 0.

In this case, the TE bit in DMA channel control register 0 is not set, but transfer cannot be restarted.

6. When port functions are used (BCR2.PORTEN = 1) and DDT mode is selected, input the DTR format for D[63:52] and D[31:0]. In this case, if ID[1:0] = 00, input MD[1:0] and SZ ≠ 101, 110.

14.5.3 Transfer Request Acceptance on Each Channel

On channel 0, a DMA data transfer request can be made by means of the DTR format. No further transfer requests are accepted between DTR format acceptance and the end of the data transfer.

On channels 1 to 3, output a transfer request from an external device by means of the DTR format (ID = 01, 10, or 11) after making DMAC control register settings in the same way as in normal DMA mode. Each of channels 1 to 3 has a request queue that can accept up to four transfer requests. When a request queue is full, the fifth and subsequent transfer requests will be ignored, and so transfer requests must not be output.

When CHCR.TE = 1 when a transfer request remains in the request queue and a transfer is completed, the request queue retains it. When another transfer request is sent at that time, the transfer request is added to the request queue if the request queue is vacant.

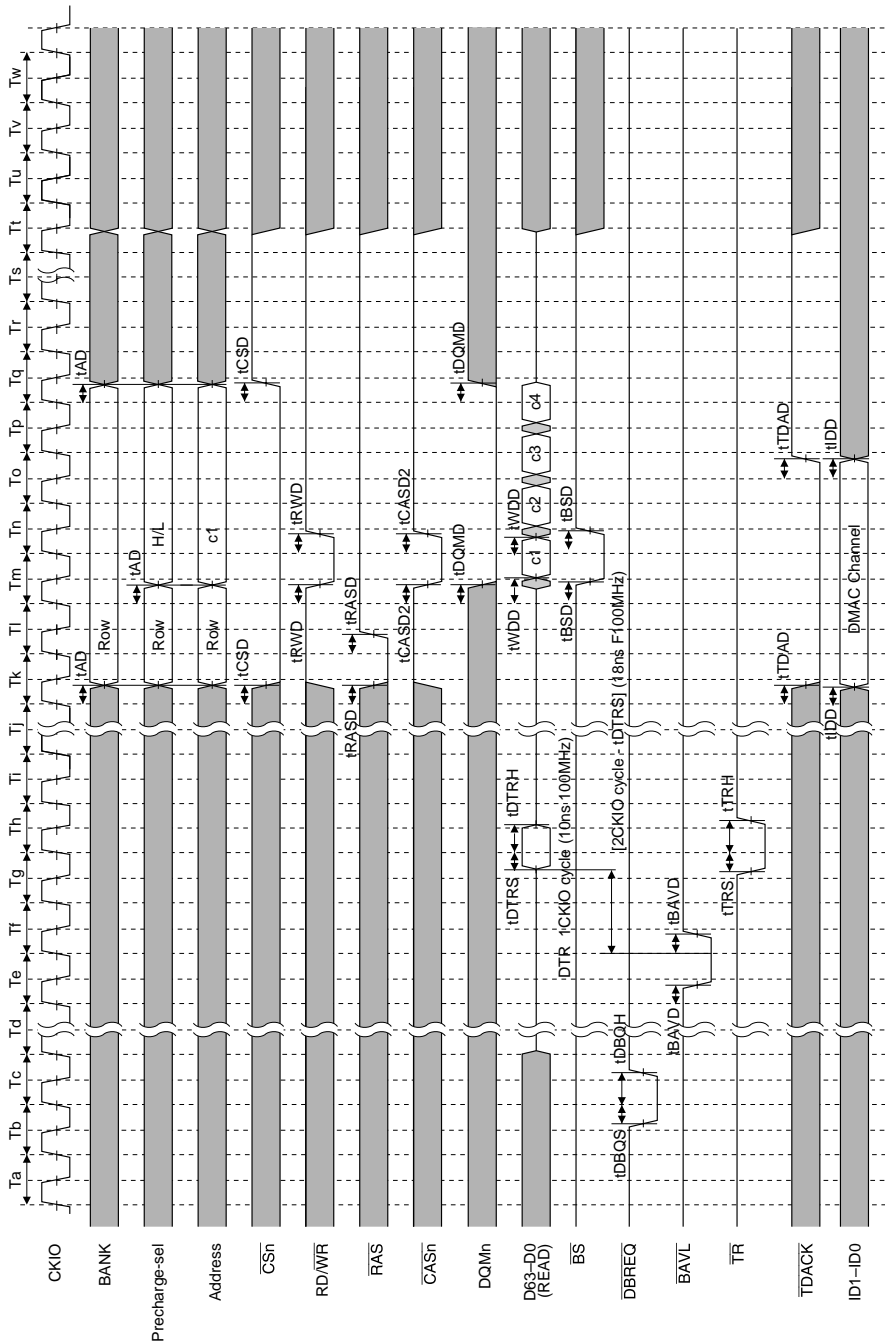


Figure 14.27 Single Address Mode: External Device → Synchronous DRAM Longword Transfer
SDRAM auto-precharge Write bus cycle, burst (RCD[1:0] = 01, TRWL[2:0] = 101,
TPC[2:0] = 001)

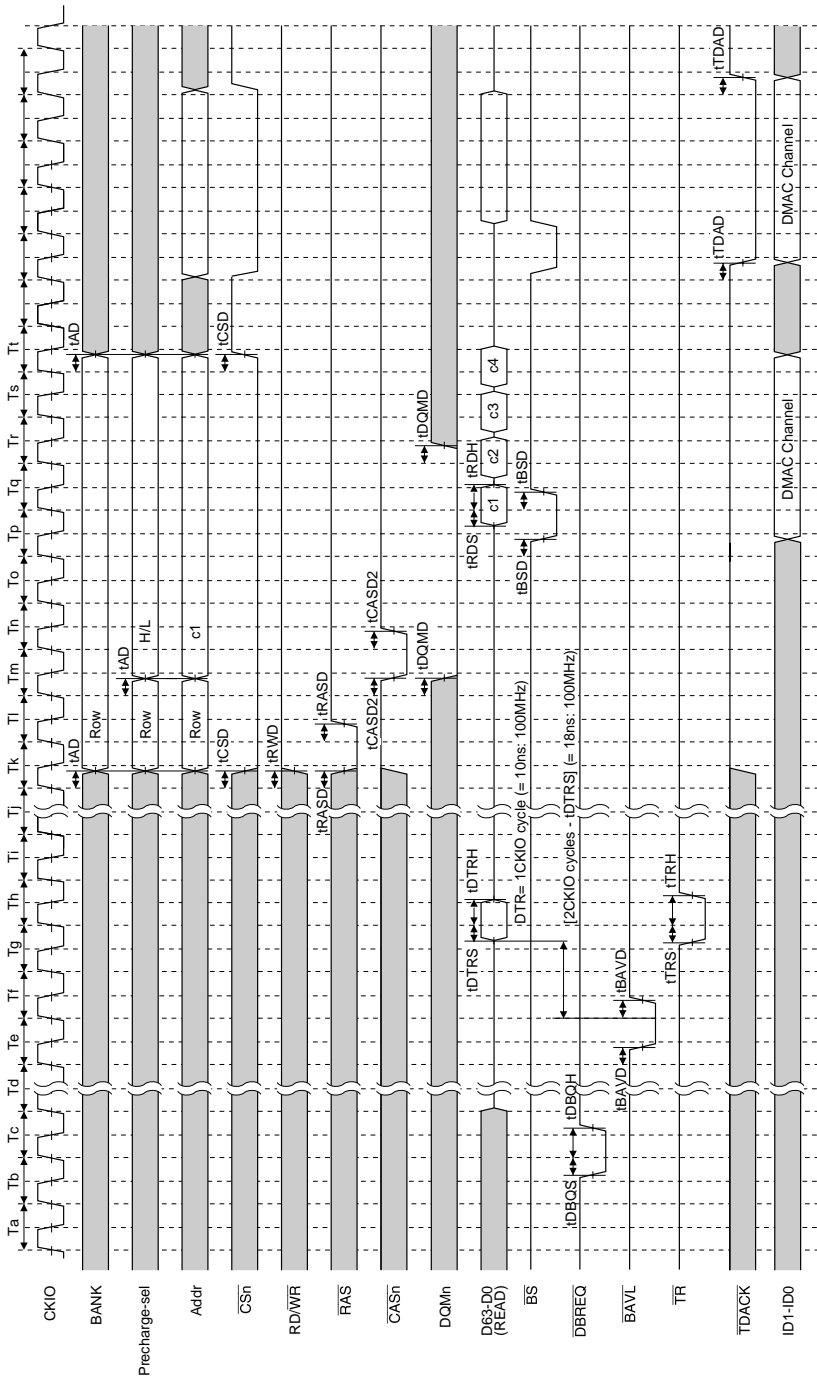


Figure 14.28 Dual Address Mode/Synchronous DRAM → SRAM Longword Transfer

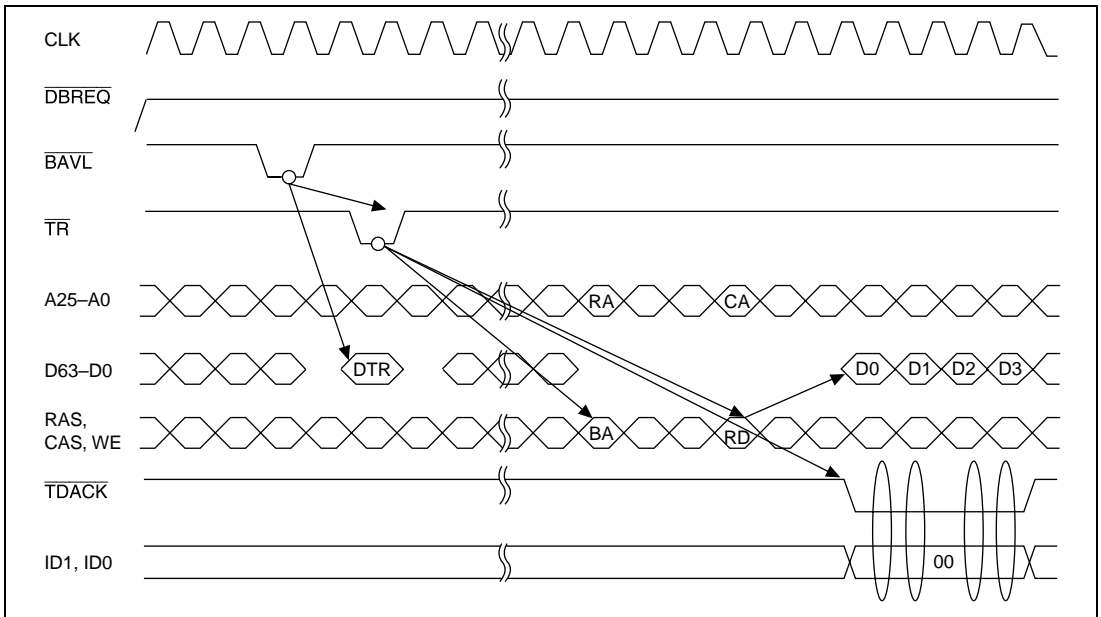


Figure 14.29 Single Address Mode/Burst Mode/External Bus → External Device 32-Byte Block Transfer/Channel 0 On-Demand Data Transfer

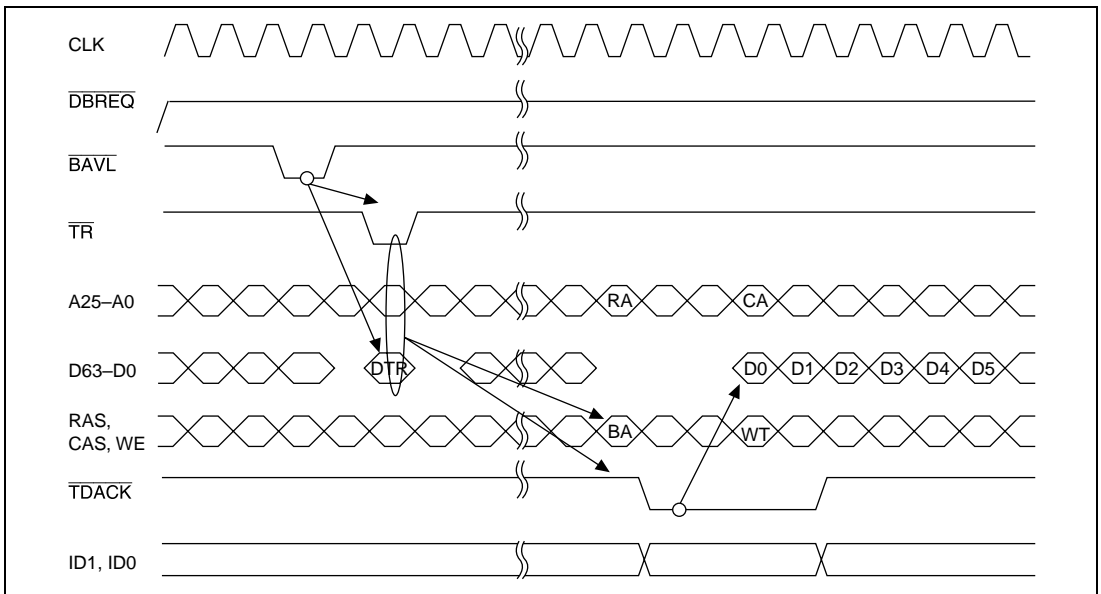


Figure 14.30 Single Address Mode/Burst Mode/External Device → External Bus 32-Byte Block Transfer/Channel 0 On-Demand Data Transfer

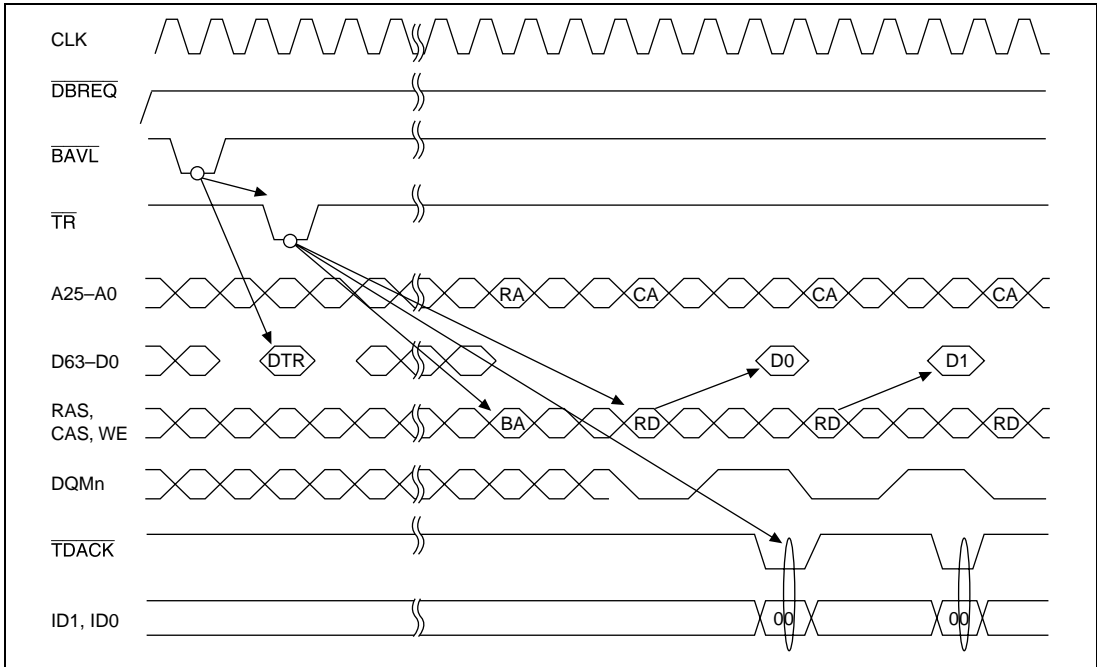


Figure 14.31 Single Address Mode/Burst Mode/External Bus → External Device 32-Bit Transfer/Channel 0 On-Demand Data Transfer

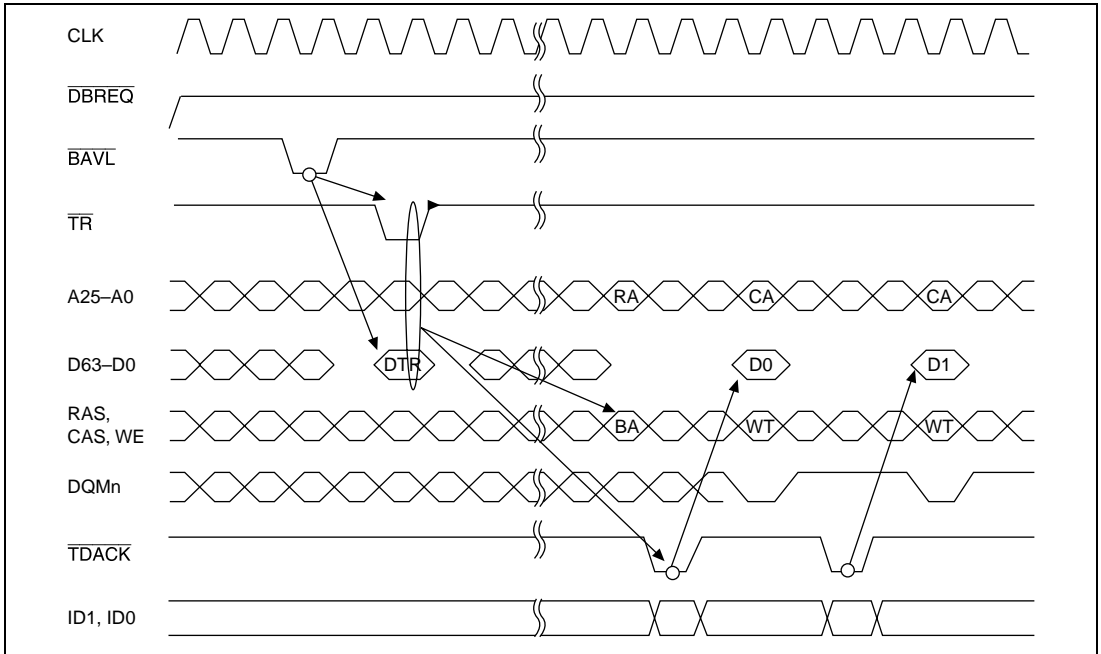
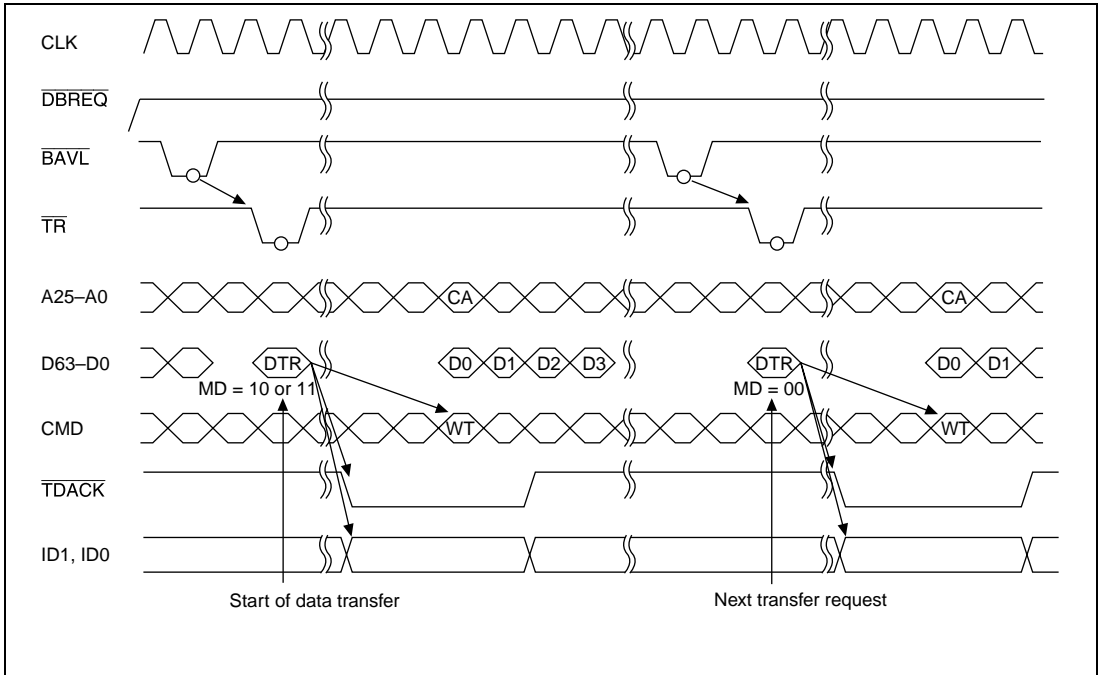
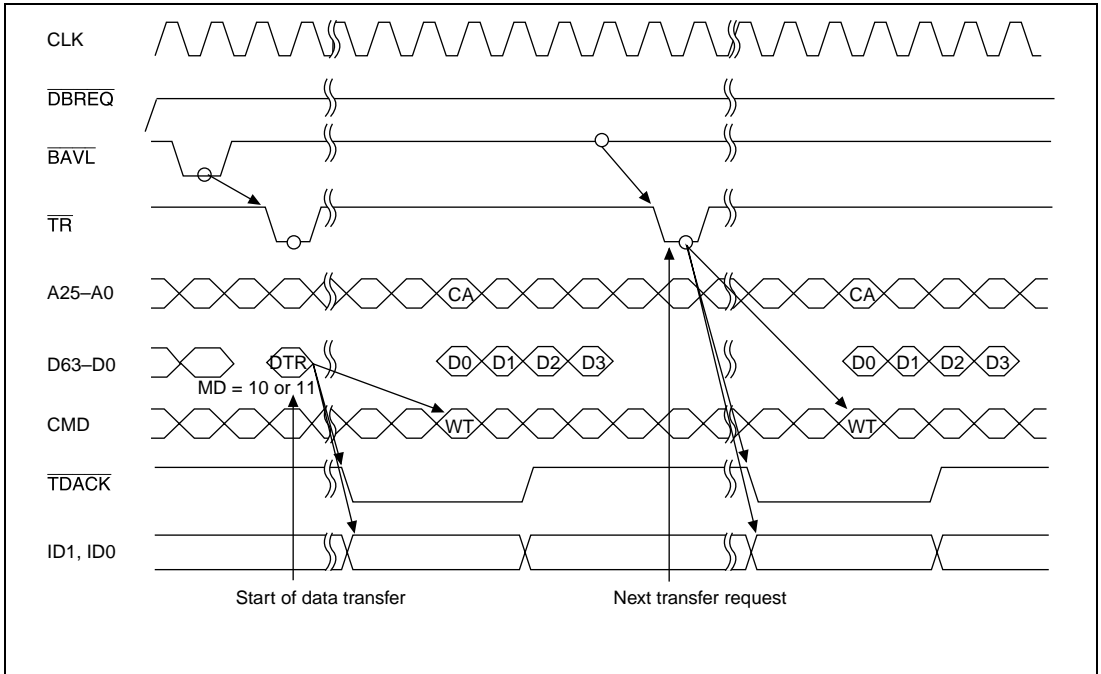


Figure 14.32 Single Address Mode/Burst Mode/External Device → External Bus 32-Bit Transfer/Channel 0 On-Demand Data Transfer



**Figure 14.33 Handshake Protocol Using Data Bus
(Channel 0 On-Demand Data Transfer)**



**Figure 14.34 Handshake Protocol without Use of Data Bus
(Channel 0 On-Demand Data Transfer)**

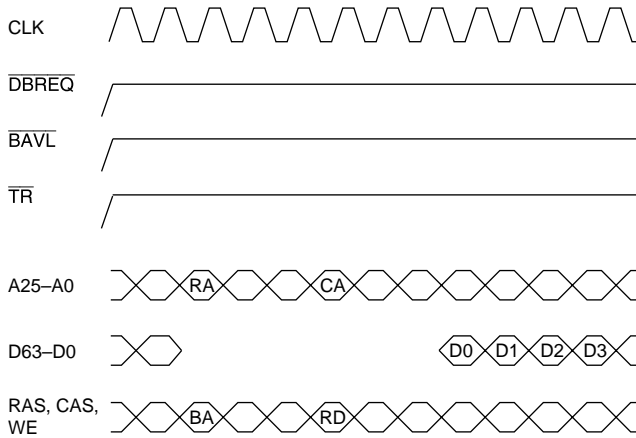


Figure 14.35 Read from Synchronous DRAM Precharge Bank

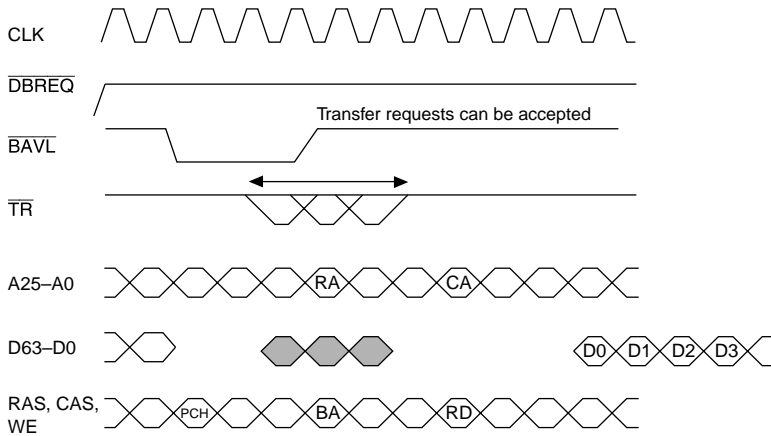


Figure 14.36 Read from Synchronous DRAM Non-Precharge Bank (Row Miss)

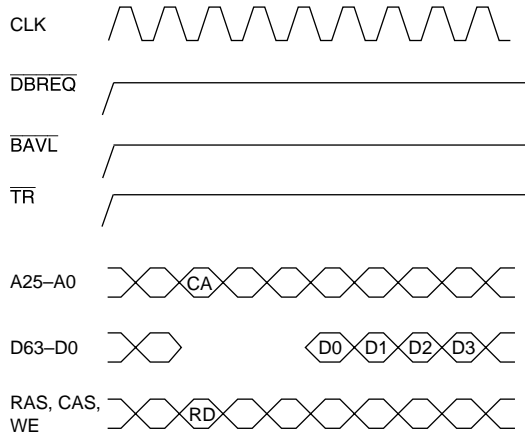


Figure 14.37 Read from Synchronous DRAM (Row Hit)

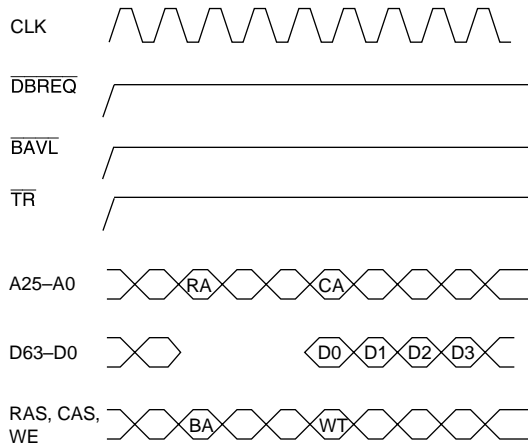


Figure 14.38 Write to Synchronous DRAM Precharge Bank

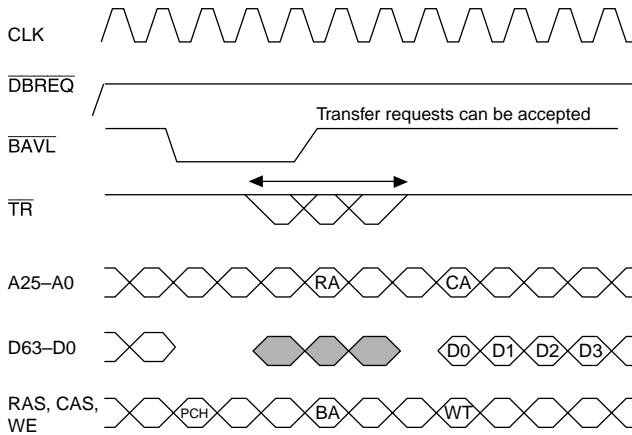


Figure 14.39 Write to Synchronous DRAM Non-Precharge Bank (Row Miss)

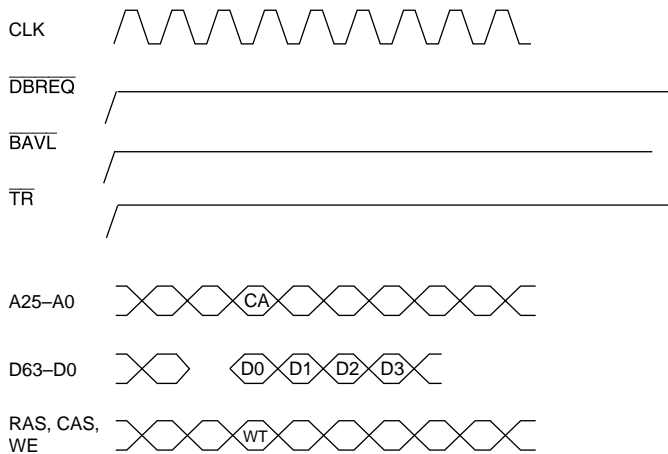


Figure 14.40 Write to Synchronous DRAM (Row Hit)

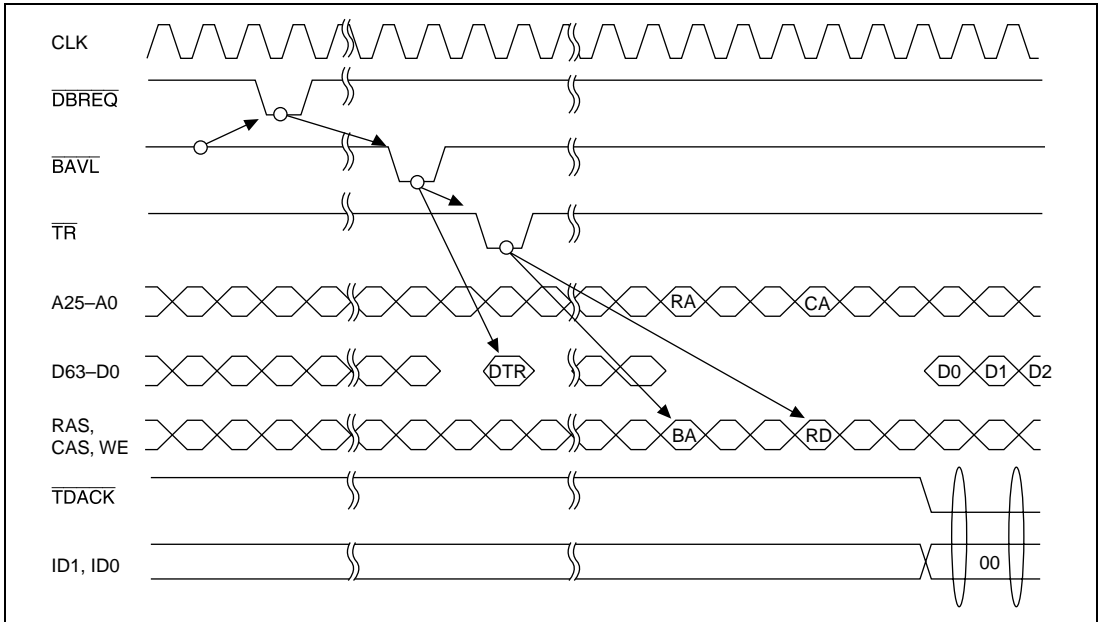


Figure 14.41 Single Address Mode/Burst Mode/External Bus → External Device 32-Byte Block Transfer/Channel 0 On-Demand Data Transfer

DMA Operation Register (DMAOR)

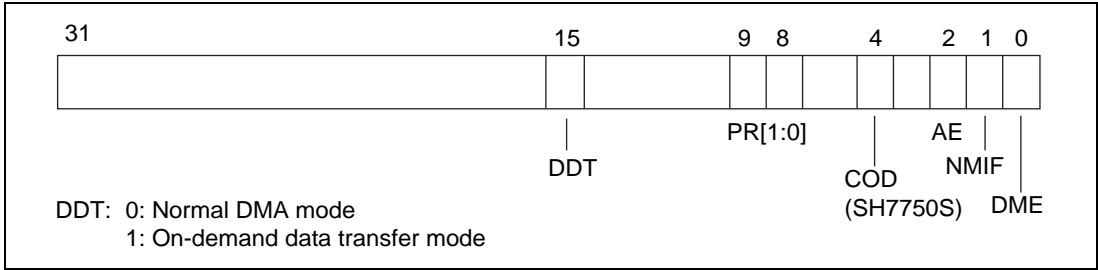
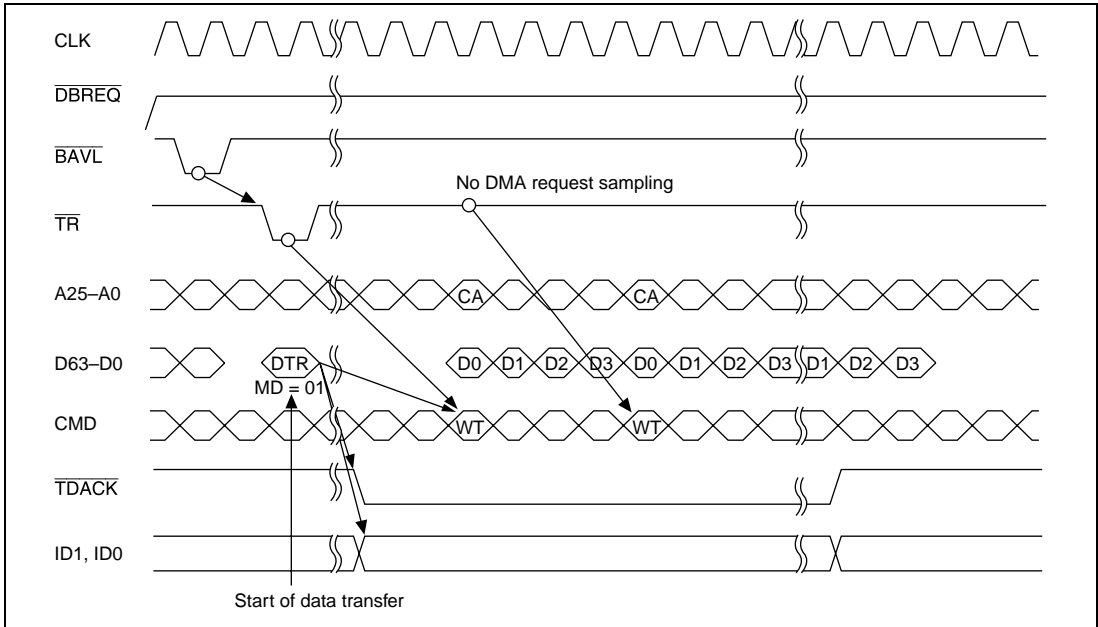
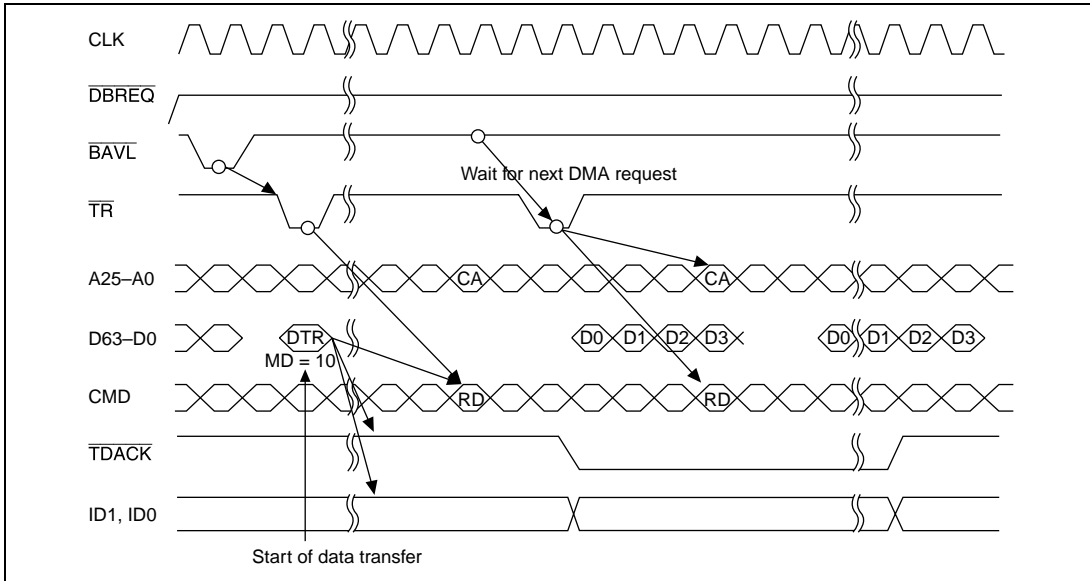


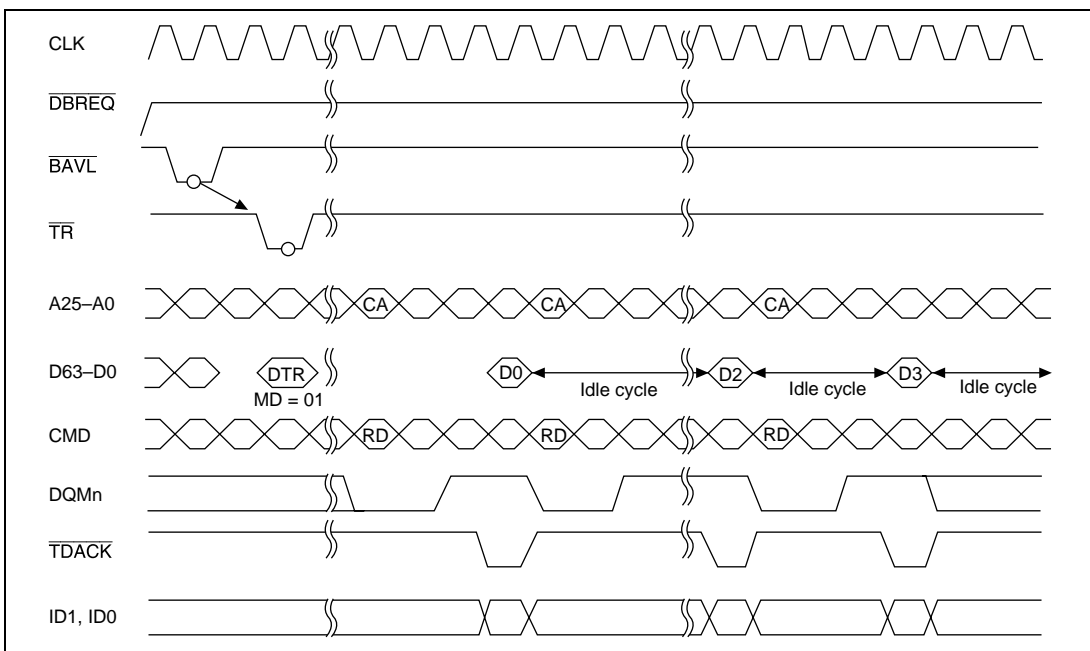
Figure 14.42 DDT Mode Setting



**Figure 14.43 Single Address Mode/Burst Mode/Edge Detection/
External Device → External Bus Data Transfer**



**Figure 14.44 Single Address Mode/Burst Mode/Level Detection/
External Bus → External Device Data Transfer**



**Figure 14.45 Single Address Mode/Burst Mode/Edge Detection/Byte, Word, Longword,
Quadword/External Bus → External Device Data Transfer**

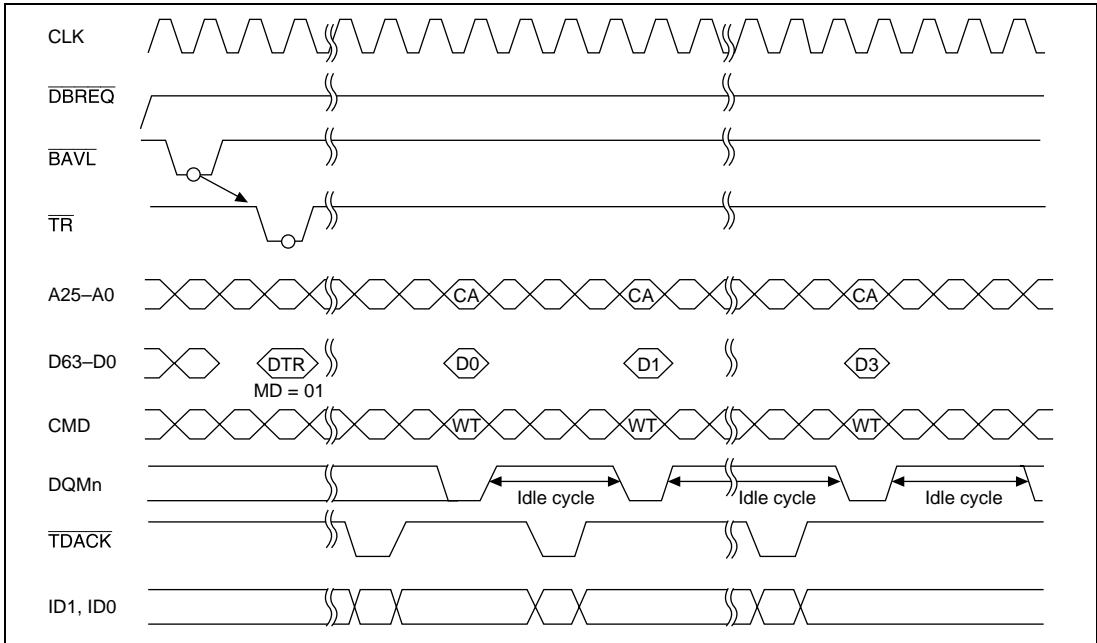


Figure 14.46 Single Address Mode/Burst Mode/Edge Detection/Byte, Word, Longword, Quadword/External Device → External Bus Data Transfer

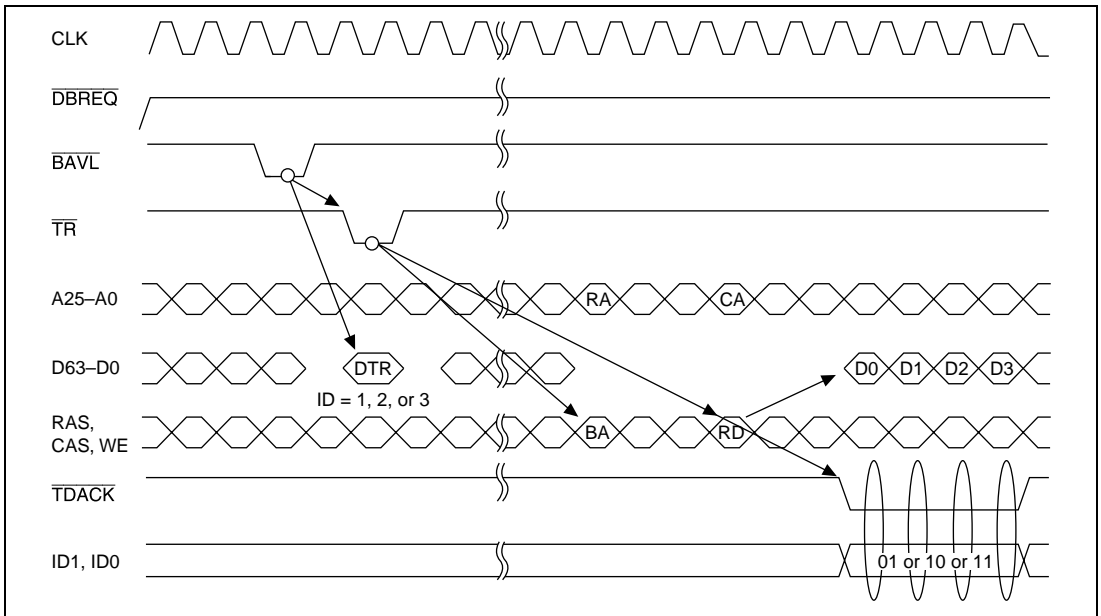
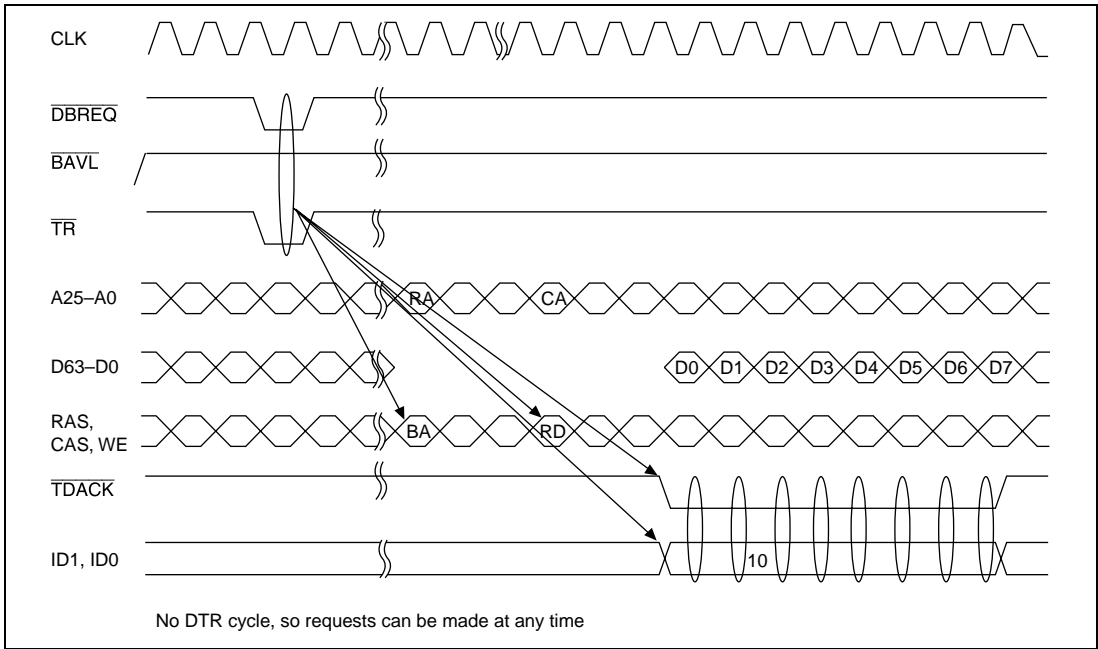


Figure 14.47 Single Address Mode/Burst Mode/32-Byte Block Transfer/DMA Transfer Request to Channels 1–3 Using Data Bus



**Figure 14.48 Single Address Mode/Burst Mode/32-Byte Block Transfer/
External Bus → External Device Data Transfer/
Direct Data Transfer Request to Channel 2 without Using Data Bus**

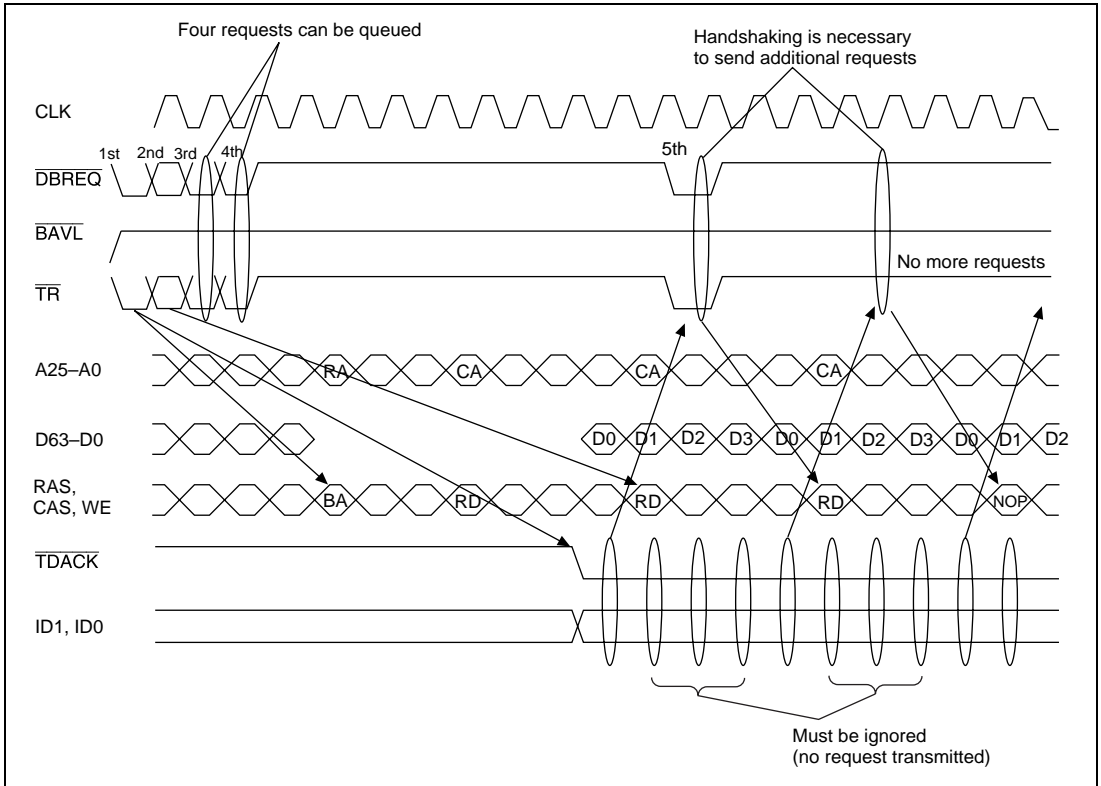


Figure 14.49 Single Address Mode/Burst Mode/External Bus → External Device Data Transfer/Direct Data Transfer Request to Channel 2

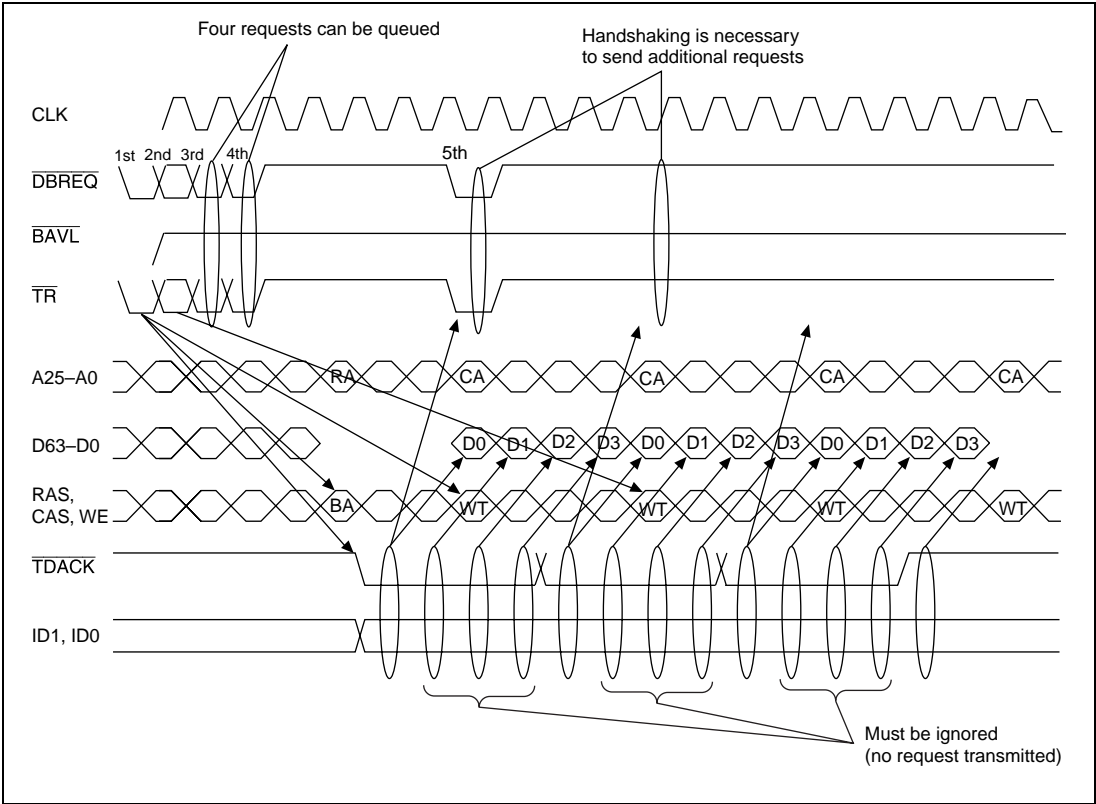


Figure 14.50 Single Address Mode/Burst Mode/External Device → External Bus Data Transfer/Direct Data Transfer Request to Channel 2

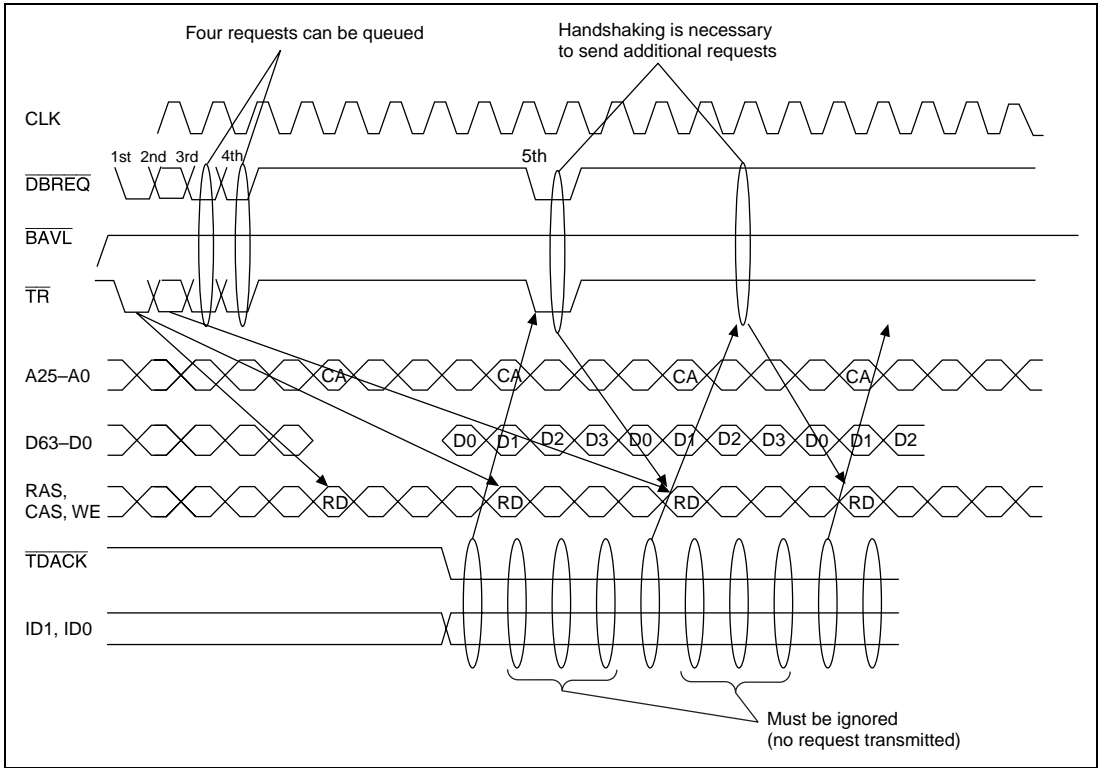


Figure 14.51 Single Address Mode/Burst Mode/External Bus → External Device Data Transfer (Active Bank Address)/Direct Data Transfer Request to Channel 2

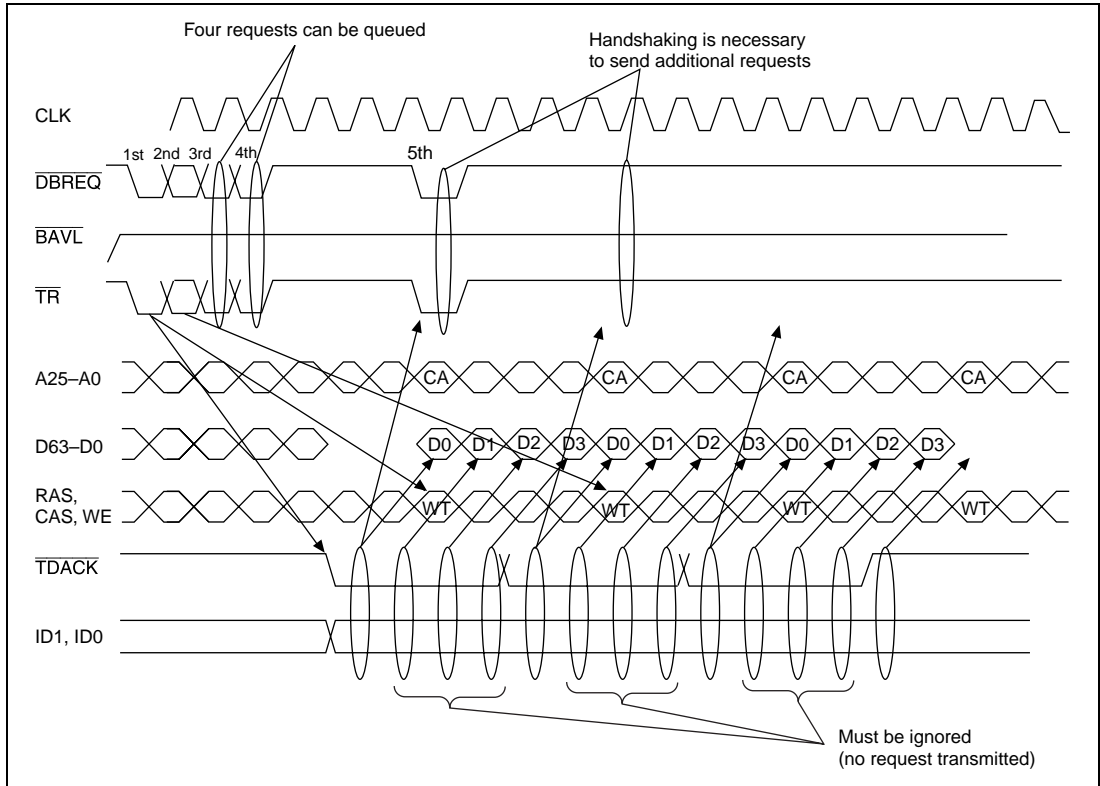


Figure 14.52 Single Address Mode/Burst Mode/External Device → External Bus Data Transfer (Active Bank Address)/Direct Data Transfer Request to Channel 2

14.5.4 Notes on Use of DDT Module

1. Normal data transfer mode (channel 0)

Initial settings for channel 0 demand transfer must be $DTR.ID = 00$ and $DTR.MD = 01, 10,$ or 11 . In this case, only single address mode can be set for channel 0.

2. Normal data transfer mode (channels 1 to 3)

If a setting of $DTR.ID = 01, 10,$ or 11 is made, $DTR.MD$ will be ignored.

3. Handshake protocol using the data bus (valid on channel 0 only)

- a. The handshake protocol using the data bus can be executed only on channel 0. (Set $DTR.ID = 00, DTR.MD = 00, DTR.SZ \neq 101$ or 110 . Operation is not guaranteed if settings of $DTR.ID = 00, DTR.MD = 00,$ and $DTR.SZ = 101$ or 110 are made.)
- b. If, during execution of the handshake protocol using the data bus for channel 0, a request is input for one of channels 1 to 3, and after that DMA transfer is executed settings of $DTR.ID = 00, DTR.MD = 00,$ and $DTR.SZ \neq 101.110$ are input in the handshake protocol using the data bus, a transfer request will be asserted for channel 0.

- c. In the SH7750S and SH7750R, initial settings can be made in the DMAC channel 0 control register from the CPU (possible settings are $\text{CHCR0.RS} = 0000, 0010, \text{ or } 0011$). If settings of $\text{DTR.ID} = 00$, $\text{DTR.MD} = 00$, and $\text{DTR.SZ} \neq 101$ or 110 are subsequently input, a transfer request to channel 0 will be asserted.
4. Handshake protocol without use of the data bus
- With the handshake protocol without use of the data bus, a DMA transfer request can be input to the DMAC again for the channel for which transfer was requested immediately before by asserting $\overline{\text{TR}}$ only.
 - When using the handshake protocol without use of the data bus, first make the necessary settings in the DMAC control registers.
 - When not using the handshake protocol without use of the data bus, if $\overline{\text{TR}}$ only is asserted without outputting DTR, a request will be issued for the channel for which DMA transfer was requested immediately before. Also, if the first DMA transfer request after a power-on reset is input by asserting $\overline{\text{TR}}$ only, it will be ignored and the DMAC will not operate.
 - If $\overline{\text{TR}}$ only is asserted by means of the handshake protocol without use of the data bus and a DMA transfer request is input when channel 0 DMA transfer has ended and $\text{CHCR0.TE} = 1$, the DMAC will freeze. Before issuing a DMA transfer request, the TE flag must be cleared by writing $\text{CHCR0.TE} = 0$ after reading $\text{CHCR0.TE} = 1$.
5. Direct data transfer mode (valid on channel 2 only)
- If a DMA transfer request for channel 2 is input by simultaneous assertion of $\overline{\text{DBREQ}}$ and $\overline{\text{TR}}$ during DMA transfer execution with the handshake protocol without use of the data bus, it will be accepted if there is space in the DDT channel 2 request queue.
 - In direct data transfer mode (with $\overline{\text{DBREQ}}$ and $\overline{\text{TR}}$ asserted simultaneously), $\overline{\text{DBREQ}}$ is not interpreted as a bus arbitration signal, and therefore the $\overline{\text{BAVL}}$ signal is never asserted.
6. Request queue transfer request acceptance
- The DDT has four request queues for each of channels 1 to 3. When these request queues are full, a DMA transfer request from an external device will be ignored.
 - If a DMA transfer request for channel 0 is input during execution of a channel 0 DMA bus cycle, the DDT will ignore that request. Confirm that channel 0 DMA transfer has finished (burst mode) or that a DMA bus cycle is not in progress (cycle steal mode).
7. DTR format
- The DDT module processes DTR.ID , DTR.MD , and DTR.SZ as follows.
When $\text{DTR.ID} = 00$
 - $\text{MD} = 00, \text{SZ} \neq 101, 110$: Handshake protocol using the data bus
 - $\text{MD} \neq 00, \text{SZ} = 111$: $\text{CHCR0.DE} = 0$ setting (DMA transfer end request)
 - $\text{MD} \neq 10, \text{SZ} = 110$: DDT request queue clear
When $\text{DTR.ID} \neq 00$
 - Transfer request to channels 1—3 (items other than ID ignored)

8. Data transfer end request

- a. A data transfer end request ($DTR.ID = 00$, $MD \neq 00$, $SZ = 111$) cannot be accepted during channel 0 DMA transfer. Therefore, if edge detection and burst mode are set for channel 0, transfer cannot be ended midway.
- b. When a transfer end request ($DTR.ID = 00$, $MD \neq 00$, $SZ = 111$) is accepted, the values set in $CHCR0$, $SAR0$, $DAR0$, and $DMATCR0$ are retained. With the SH7750, execution cannot be restarted from an external device in this case. To restart execution in the SH7750S and SH7750R, set $CHCR0.DE = 1$ with an MOV instruction.

9. Request queue clearance

- a. When settings of $DTR.ID = 00$, $DTR.MD = 10$, and $SZ = 110$ are accepted by the DDT in normal data transfer mode, DDT channel 0 requests and channel 1 to 3 request queues are all cleared. All external requests held on the DMAC side are also cleared.
- b. In case 4-d, the DMAC freeze state can be cleared.
- c. When settings of $DMAOR.DDT = 1$, $DTR.ID = 00$, $DTR.MD = 10$, and $SZ = 110$ are accepted by the DDT in case 11, the DMAC freeze state can be cleared.

10. \overline{DBREQ} assertion

- a. After \overline{DBREQ} is asserted, do not assert \overline{DBREQ} again until \overline{BAVL} is asserted, as this will result in a discrepancy between the number of \overline{DBREQ} and \overline{BAVL} assertions.
- b. The \overline{BAVL} assertion period due to \overline{DBREQ} assertion is one cycle.
If a row address miss occurs in a read or write in the non-precharged bank during synchronous DRAM access, \overline{BAVL} is asserted for a number of cycles in accordance with the RAS precharge interval set in $BSC.MCR.TCP$.
- c. It takes one cycle for \overline{DBREQ} to be accepted by the DMAC after being asserted by an external device. If a row address miss occurs at this time in a read or write in the non-precharged bank during synchronous DRAM access, and \overline{BAVL} is asserted, the \overline{DBREQ} signal asserted by the external device is ignored. Therefore, \overline{BAVL} is not asserted again due to this signal.

11. Clearing DDT mode

Check that DMA transfer is not in progress on any channel before setting the $DMAOR.DDT$ bit. If the $DMAOR.DDT$ setting is changed from 1 to 0 during DMA transfer in DDT mode, the DMAC will freeze.

This also applies when switching from normal DMA mode ($DMAOR.DDT = 0$) to DDT mode.

12. Confirming DMA transfer requests and number of transfers executed

The channel associated with a DMA bus cycle being executed in response to a DMA transfer request can be confirmed by determining the level of external pins ID1 and ID0 at the rising edge of the CKIO clock while \overline{TDACK} is asserted.

(ID = 00: channel 0; ID = 01: channel 1; ID = 10: channel 2; ID = 11: channel 3)

14.6 Configuration of the DMAC (SH7750R)

14.6.1 Block Diagram of the DMAC

Figure 14.53 is a block diagram of the DMAC in the SH7750R.

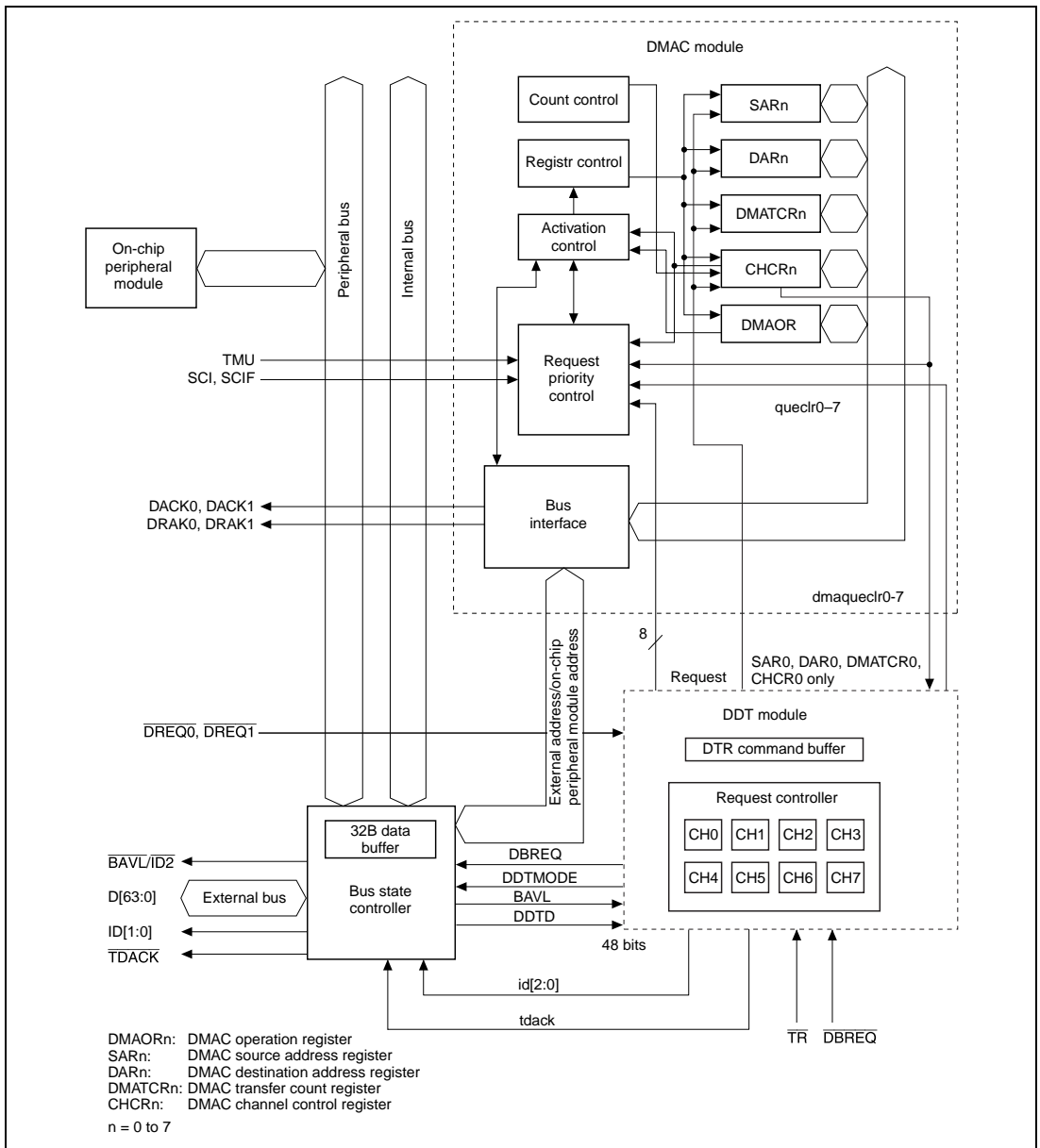


Figure 14.53 Block Diagram of the DMAC

14.6.2 Pin Configuration (SH7750R)

Tables 14.11 and 14.12 show the pin configuration of the DMAC.

Table 14.11 DMAC Pins

Channel	Pin Name	Abbreviation	I/O	Function
0	DMA transfer request	$\overline{\text{DREQ0}}$	Input	DMA transfer request input from external device to channel 0
	$\overline{\text{DREQ}}$ acceptance confirmation	DRAK0	Output	Acceptance of request for DMA transfer from channel 0 to external device Notification to external device of start of execution
	DMA transfer end notification	DACK0	Output	Strobe output to external device of DMA transfer request from channel 0 to external device
1	DMA transfer request	$\overline{\text{DREQ1}}$	Input	DMA transfer request input from external device to channel 1
	$\overline{\text{DREQ}}$ acceptance confirmation	DRAK1	Output	Acceptance of request for DMA transfer from channel 1 to external device Notification to external device of start of execution
	DMA transfer end notification	DACK1	Output	Strobe output to external device of DMA transfer request from channel 1 to external device

Table 14.12 DMAC Pins in DDT Mode

Pin Name	Abbreviation	I/O	Function
Data bus request	$\overline{\text{DBREQ}}$ ($\overline{\text{DREQ0}}$)	Input	Data bus release request from external device for DTR format input
Data bus available	$\overline{\text{BAVL/ID2}}$ ($\overline{\text{DRAK0}}$)	Output	Data bus release notification Data bus can be used 2 cycles after $\overline{\text{BAVL}}$ is asserted Notification of channel number to external device at same time as $\overline{\text{TDACK}}$ output
Transfer request signal	$\overline{\text{TR}}$ ($\overline{\text{DREQ1}}$)	Input	If asserted 2 cycles after $\overline{\text{BAVL}}$ assertion, DTR format is sent Only $\overline{\text{TR}}$ asserted: DMA request $\overline{\text{DBREQ}}$ and $\overline{\text{TR}}$ asserted simultaneously: Direct request to channel 2
DMAC strobe	$\overline{\text{TDACK}}$ ($\overline{\text{DACK0}}$)	Output	Reply strobe signal for external device from DMAC
Channel number notification	ID[1:0] ($\overline{\text{DRAK1}}$, $\overline{\text{DACK1}}$)	Output	Notification of channel number to external device at same time as $\overline{\text{TDACK}}$ output (ID [1] = $\overline{\text{DRAK1}}$, ID [0] = $\overline{\text{DACK1}}$)

Requests for DMA transfer from external devices are normally accepted only on channel 0 ($\overline{\text{DREQ0}}$) and channel 1 ($\overline{\text{DREQ1}}$). In DDT mode, the $\overline{\text{BAVL}}$ pin functions as both the data-bus-available pin and channel-number-notification ($\overline{\text{ID2}}$) pin.

14.6.3 Register Configuration (SH7750R)

Table 14.13 shows the configuration of the DMAC's registers. The DMAC of the SH7750R has a total of 33 registers: four registers are assigned to each channel, and there is a control register for the overall control of the DMAC.

Table 14.13 Register Configuration

Chan- nel	Name	Abbre- viation	Read/ Write	Initial Value	P4 Address	Area 7 Address	Access Size
0	DMA source address register 0	SAR0	R/W*2	Undefined	H'FFFA00000	H'1FA00000	32
	DMA destination address register 0	DAR0	R/W*2	Undefined	H'FFFA00004	H'1FA00004	32
	DMA transfer count register 0	DMATCR0	R/W*2	Undefined	H'FFFA00008	H'1FA00008	32
	DMA channel control register 0	CHCR0	R/W*1*2	H'00000000	H'FFFA0000C	H'1FA0000C	32
1	DMA source address register 1	SAR1	R/W	Undefined	H'FFFA00010	H'1FA00010	32
	DMA destination address register 1	DAR1	R/W	Undefined	H'FFFA00014	H'1FA00014	32
	DMA transfer count register 1	DMATCR1	R/W	Undefined	H'FFFA00018	H'1FA00018	32
	DMA channel control register 1	CHCR1	R/W*1	H'00000000	H'FFFA0001C	H'1FA0001C	32
2	DMA source address register 2	SAR2	R/W	Undefined	H'FFFA00020	H'1FA00020	32
	DMA destination address register 2	DAR2	R/W	Undefined	H'FFFA00024	H'1FA00024	32
	DMA transfer count register 2	DMATCR2	R/W	Undefined	H'FFFA00028	H'1FA00028	32
	DMA channel control register 2	CHCR2	R/W*1	H'00000000	H'FFFA0002C	H'1FA0002C	32
3	DMA source address register 3	SAR3	R/W	Undefined	H'FFFA00030	H'1FA00030	32
	DMA destination address register 3	DAR3	R/W	Undefined	H'FFFA00034	H'1FA00034	32
	DMA transfer count register 3	DMATCR3	R/W	Undefined	H'FFFA00038	H'1FA00038	32
	DMA channel control register 3	CHCR3	R/W*1	H'00000000	H'FFFA0003C	H'1FA0003C	32
Com- mon	DMA operation register	DMAOR	R/W*1	H'00000000	H'FFFA00040	H'1FA00040	32

Table 14.13 Register Configuration (cont)

Channel	Name	Abbreviation	Read/Write	Initial Value	P4 Address	Area 7 Address	Access Size
4	DMA source address register 4	SAR4	R/W	Undefined	H'FFFA00050	H'1FA00050	32
	DMA destination address register 4	DAR4	R/W	Undefined	H'FFFA00054	H'1FA00054	32
	DMA transfer count register 4	DMATCR4	R/W	Undefined	H'FFFA00058	H'1FA00058	32
	DMA channel control register 4	CHCR4	R/W*1	H'00000000	H'FFFA0005C	H'1FA0005C	32
5	DMA source address register 5	SAR5	R/W	Undefined	H'FFFA00060	H'1FA00060	32
	DMA destination address register 5	DAR5	R/W	Undefined	H'FFFA00064	H'1FA00064	32
	DMA transfer count register 5	DMATCR5	R/W	Undefined	H'FFFA00068	H'1FA00068	32
	DMA channel control register 5	CHCR5	R/W*1	H'00000000	H'FFFA0006C	H'1FA0006C	32
6	DMA source address register 6	SAR6	R/W	Undefined	H'FFFA00070	H'1FA00070	32
	DMA destination address register 6	DAR6	R/W	Undefined	H'FFFA00074	H'1FA00074	32
	DMA transfer count register 6	DMATCR6	R/W	Undefined	H'FFFA00078	H'1FA00078	32
	DMA channel control register 6	CHCR6	R/W*1	H'00000000	H'FFFA0007C	H'1FA0007C	32
7	DMA source address register 7	SAR7	R/W	Undefined	H'FFFA00080	H'1FA00080	32
	DMA destination address register 7	DAR7	R/W	Undefined	H'FFFA00084	H'1FA00084	32
	DMA transfer count register 7	DMATCR7	R/W	Undefined	H'FFFA00088	H'1FA00088	32
	DMA channel control register 7	CHCR7	R/W*1	H'00000000	H'FFFA0008C	H'1FA0008C	32

Notes: Longword access should be used for all control registers. If a different access width is used, reads will return all 0s and writes will not be possible.

*1 Bit 1 of CHCR0–CHCR7 and bits 2 and 1 of DMAOR can only be written with 0 after being read as 1, to clear the flags.

*2 In the SH7750R, writes from the CPU and writes from external I/O devices using the DTR format are possible in DDT mode.

14.7 Register Descriptions (SH7750R)

14.7.1 DMA Source Address Registers 0–7 (SAR0–SAR7)

Bit:	31	30	29	28	27	26	25	24	23	22	21	20	19	18	17	16
	<input type="checkbox"/>	<input type="checkbox"/>	<input type="checkbox"/>	<input type="checkbox"/>	<input type="checkbox"/>	<input type="checkbox"/>	<input type="checkbox"/>	<input type="checkbox"/>	<input type="checkbox"/>	<input type="checkbox"/>	<input type="checkbox"/>	<input type="checkbox"/>	<input type="checkbox"/>	<input type="checkbox"/>	<input type="checkbox"/>	<input type="checkbox"/>
Initial value:	—	—	—	—	—	—	—	—	—	—	—	—	—	—	—	—
R/W:	R/W	R/W	R/W	R/W	R/W	R/W	R/W	R/W	R/W	R/W	R/W	R/W	R/W	R/W	R/W	R/W
Bit:	15	14	13	12	11	10	9	8	7	6	5	4	3	2	1	0
	<input type="checkbox"/>	<input type="checkbox"/>	<input type="checkbox"/>	<input type="checkbox"/>	<input type="checkbox"/>	<input type="checkbox"/>	<input type="checkbox"/>	<input type="checkbox"/>	<input type="checkbox"/>	<input type="checkbox"/>	<input type="checkbox"/>	<input type="checkbox"/>	<input type="checkbox"/>	<input type="checkbox"/>	<input type="checkbox"/>	<input type="checkbox"/>
Initial value:	—	—	—	—	—	—	—	—	—	—	—	—	—	—	—	—
R/W:	R/W	R/W	R/W	R/W	R/W	R/W	R/W	R/W	R/W	R/W	R/W	R/W	R/W	R/W	R/W	R/W

DMA source address registers 0–7 (SAR0–SAR7) are 32-bit readable/writable registers that specify the source address for a DMA transfer. The functions of these registers are the same as on the SH7750 or SH7750S. For more information, see section 14.2.1, DMA Source Address Registers 0–3 (SAR0–SAR3).

14.7.2 DMA Destination Address Registers 0–7 (DAR0–DAR7)

Bit:	31	30	29	28	27	26	25	24	23	22	21	20	19	18	17	16
	<input type="checkbox"/>	<input type="checkbox"/>	<input type="checkbox"/>	<input type="checkbox"/>	<input type="checkbox"/>	<input type="checkbox"/>	<input type="checkbox"/>	<input type="checkbox"/>	<input type="checkbox"/>	<input type="checkbox"/>	<input type="checkbox"/>	<input type="checkbox"/>	<input type="checkbox"/>	<input type="checkbox"/>	<input type="checkbox"/>	<input type="checkbox"/>
Initial value:	—	—	—	—	—	—	—	—	—	—	—	—	—	—	—	—
R/W:	R/W	R/W	R/W	R/W	R/W	R/W	R/W	R/W	R/W	R/W	R/W	R/W	R/W	R/W	R/W	R/W
Bit:	15	14	13	12	11	10	9	8	7	6	5	4	3	2	1	0
	<input type="checkbox"/>	<input type="checkbox"/>	<input type="checkbox"/>	<input type="checkbox"/>	<input type="checkbox"/>	<input type="checkbox"/>	<input type="checkbox"/>	<input type="checkbox"/>	<input type="checkbox"/>	<input type="checkbox"/>	<input type="checkbox"/>	<input type="checkbox"/>	<input type="checkbox"/>	<input type="checkbox"/>	<input type="checkbox"/>	<input type="checkbox"/>
Initial value:	—	—	—	—	—	—	—	—	—	—	—	—	—	—	—	—
R/W:	R/W	R/W	R/W	R/W	R/W	R/W	R/W	R/W	R/W	R/W	R/W	R/W	R/W	R/W	R/W	R/W

DMA destination address registers 0–7 (DAR0–DAR7) are 32-bit readable/writable registers that specify the destination address for a DMA transfer. The functions of these registers are the same as on the SH7750 and SH7750S. For more information, see section 14.2.2, DMA Destination Address Registers 0–3 (DAR0–DAR3).

14.7.3 DMA Transfer Count Registers 0–7 (DMATCR0–DMATCR7)

Bit:	31	30	29	28	27	26	25	24	23	22	21	20	19	18	17	16
Initial value:	0	0	0	0	0	0	0	0	—	—	—	—	—	—	—	—
R/W:	R	R	R	R	R	R	R	R	R/W	R/W	R/W	R/W	R/W	R/W	R/W	R/W

Bit:	15	14	13	12	11	10	9	8	7	6	5	4	3	2	1	0
Initial value:	—	—	—	—	—	—	—	—	—	—	—	—	—	—	—	—
R/W:	R/W	R/W	R/W	R/W	R/W	R/W	R/W	R/W	R/W	R/W	R/W	R/W	R/W	R/W	R/W	R/W

DMA transfer count registers 0–7 (DMATCR0–DMATCR7) are 32-bit readable/writable registers that specify the number of transfers in transfer operations for the corresponding channel (byte count, word count, longword count, quadword count, or 32-byte count). Functions of these registers are the same as the transfer-count registers of the SH7750 or SH7750S. For more information, see section 14.2.3, DMA Transfer Count Registers 0–3 (DMATCR0–DMATCR3).

14.7.4 DMA Channel Control Registers 0–7 (CHCR0–CHCR7)

Bit:	31	30	29	28	27	26	25	24	23	22	21	20	19	18	17	16
	SSA2	SSA1	SSA0	STC	DSA2	DSA1	DSA0	DTC	—	—	—	—	DS	RL	AM	AL
Initial value:	0	0	0	0	0	0	0	0	0	0	0	0	0	0	0	0
R/W:	R/W	R/W	R/W	R/W	R/W	R/W	R/W	R/W	R	R	R	R	R/W	(R/W)	R/W	(R/W)

Bit:	15	14	13	12	11	10	9	8	7	6	5	4	3	2	1	0
	DM1	DM0	SM1	SM0	RS3	RS2	RS1	RS0	TM	TS2	TS1	TS0	QCL	IE	TE	DE
Initial value:	0	0	0	0	0	0	0	0	0	0	0	0	0	0	0	0
R/W:	R/W	R/W	R/W	R/W	R/W	R/W	R/W	R/W	R/W	R/W	R/W	R/W	R/W	R/(W)	R/W	R/(W)

DMA channel control registers 0–7 (CHCR0–CHCR7) are 32-bit readable/writable registers that specify the operating mode, transfer method, etc., for each channel. Bits 31–28 and 27–24 correspond to the source address and destination address, respectively; these settings are only valid when the transfer involves the CS5 or CS6 space and the relevant space has been specified as a PCMCIA-interface space. In other cases, these bits should be cleared to 0. For more information about the PCMCIA interface, see section 13.3.7, PCMCIA Interface, in section 13, Bus State Controller.

No function is assigned to bits 18 and 16 of the CHCR2–CHCR7 registers. Writing to these bits of the CHCR2–CHCR7 registers is invalid. If, however, a value is written to these bits, it should always be 0. These bits are always read as 0.

These registers are initialized to H'00000000 by a power-on or manual reset. Their values are retained in standby, sleep, and deep-sleep modes.

Bits 31 to 29—Source Address Space Attribute Specification (SSA2–SSA0): These bits specify the space attribute for PCMCIA access. These bits are only valid in the case of page mapping to PCMCIA connected to areas 5 and 6. For details of the settings, see the description of the SSA2–SSA0 bits in section 14.2.4, DMA Channel Control Registers 0–3 (CHCR0–CHCR3).

Bit 28—Source Address Wait Control Select (STC): Specifies CS5 or CS6 space wait control for PCMCIA access. This bit selects the wait control register in the BSC that performs area 5 and 6 wait cycle control. For details of the settings, see the description of the STC bit in section 14.2.4, DMA Channel Control Registers 0–3 (CHCR0–CHCR3).

Bits 27 to 25—Destination Address Space Attribute Specification (DSA2–DSA0): These bits specify the space attribute for PCMCIA access. These bits are only valid in the case of page mapping to PCMCIA connected to areas 5 and 6. For details of the settings, see the description of the DSA2–DSA0 bits in section 14.2.4, DMA Channel Control Registers 0–3 (CHCR0–CHCR3).

Bit 24—Destination Address Wait Control Select (DTC): Specifies CS5 or CS6 space wait cycle control for PCMCIA access. This bit selects the wait control register in the BSC that performs area 5 and 6 wait cycle control. For details of the settings, see the description of the DTC bit in section 14.2.4, DMA Channel Control Registers 0–3 (CHCR0–CHCR3).

Bits 23 to 20—Reserved: These bits are always read as 0, and should only be written with 0.

Bit 19— $\overline{\text{DREQ}}$ Select (DS): Specifies either low level detection or falling edge detection as the sampling method for the $\overline{\text{DREQ}}$ pin used in external request mode.

In normal DMA mode, this bit is valid only in CHCR0 and CHCR1. In DDT mode, it is valid in CHCR0–CHCR7. For details of the settings, see the description of the DS bit in section 14.2.4, DMA Channel Control Registers 0–3 (CHCR0–CHCR3).

Bit 18—Request Check Level (RL): Selects whether the DRAK signal (that notifies an external device of the acceptance of $\overline{\text{DREQ}}$) is an active-high or active-low output.

This bit is valid only in CHCR0 and CHCR1 in normal mode, and is invalid in DDT mode. For details of the settings, see the description of the RL bit in section 14.2.4, DMA Channel Control Registers 0–3 (CHCR0–CHCR3).

Bit 17—Acknowledge Mode (AM): In dual address mode, selects whether DACK is output in the data read cycle or write cycle. In single address mode, DACK is always output regardless of the setting of this bit.

In normal DMA mode, this bit is valid only in CHCR0 and CHCR1. In DDT mode, it is valid in CHCR0–CHCR7. (DDT mode: $\overline{\text{TDACK}}$) For details of the settings, see the description of the AM bit in section 14.2.4, DMA Channel Control Registers 0–3 (CHCR0–CHCR3).

Bit 16—Acknowledge Level (AL): Specifies the DACK (acknowledge) signal as active-high or active-low.

This bit is valid only in CHCR0 and CHCR1 in normal mode, and is invalid in DDT mode. For details of the settings, see the description of the AL bit in section 14.2.4, DMA Channel Control Registers 0–3 (CHCR0–CHCR3).

Bits 15 and 14—Destination Address Mode 1 and 0 (DM1, DM0): These bits specify incrementing/decrementing of the DMA transfer destination address. The specification of these bits is ignored when data is transferred from external memory to an external device in single address mode. For details of the settings, see the description of the DM1 and DM0 bits in section 14.2.4, DMA Channel Control Registers 0–3 (CHCR0–CHCR3).

Bits 13 and 12—Source Address Mode 1 and 0 (SM1, SM0): These bits specify incrementing/decrementing of the DMA transfer source address. The specification of these bits is ignored when data is transferred from an external device to external memory in single address mode. For details of the settings, see the description of the SM1 and SM0 bits in section 14.2.4, DMA Channel Control Registers 0–3 (CHCR0–CHCR3).

Bits 11 to 8—Resource Select 3 to 0 (RS3–RS0): These bits specify the transfer request source. For details of the settings, see the description of the RS3–RS0 bits in section 14.2.4, DMA Channel Control Registers 0–3 (CHCR0–CHCR3).

Bit 7—Transmit Mode (TM): Specifies the bus mode for transfer. For details of the settings, see the description of the TM bit in section 14.2.4, DMA Channel Control Registers 0–3 (CHCR0–CHCR3).

Bits 6 to 4—Transmit Size 2 to 0 (TS2–TS0): These bits specify the transfer data size (access size). For details of the settings, see the description of the TS2–TS0 bits in section 14.2.4, DMA Channel Control Registers 0–3 (CHCR0–CHCR3).

Bit 3—Request Queue Clear (QCL): Writing a 1 to this bit clears the request queues of the corresponding channel as well as any external requests that have already been accepted. This bit is only functional when DMAOR.DDT = 1 and DMAOR.DBL = 1.

CHCR Bit 3

QCL	Description
0	This bit is always read as 0. (Initial value) Writing a 0 to this bit is invalid.
1	When DMAOR.DBL = 1, writing a 1 to this bit clears the request queues on the DDT side and any external requests stored in the DMAC. The written value is not retained.

Bit 2—Interrupt Enable (IE): When this bit is set to 1, an interrupt request (DMTE) is generated after the number of data transfers specified in DMATCR (when TE = 1). For details of the settings, see the description of the IE bit in section 14.2.4, DMA Channel Control Registers 0–3 (CHCR0–CHCR3).

Bit 1—Transfer End (TE): This bit is set to 1 after the number of transfers specified in DMATCR. If the IE bit is set to 1 at this time, an interrupt request (DMTE) is generated.

If data transfer ends before TE is set to 1 (for example, due to an NMI interrupt, address error, or clearing of the DE bit or the DME bit in DMAOR), the TE bit is not set to 1. When this bit is 1, the transfer enabled state is not entered even if the DE bit is set to 1. For details of the settings, see the description of the TE bit in section 14.2.4, DMA Channel Control Registers 0–3 (CHCR0–CHCR3).

Bit 0—DMAC Enable (DE): Enables operation of the corresponding channel. For details of the settings, see the description of the DE bit in section 14.2.4, DMA Channel Control Registers 0–3 (CHCR0–CHCR3).

14.7.5 DMA Operation Register (DMAOR)

Bit:	31	30	29	28	27	26	25	24	23	22	21	20	19	18	17	16
Initial value:	0	0	0	0	0	0	0	0	0	0	0	0	0	0	0	0
R/W:	R	R	R	R	R	R	R	R	R	R	R	R	R	R	R	R

Bit:	15	14	13	12	11	10	9	8	7	6	5	4	3	2	1	0
	DDT	DBL	—	—	—	—	PR1	PR0	—	—	—	—	—	AE	NMIF	DME
Initial value:	0	0	0	0	0	0	0	0	0	0	0	0	0	0	0	0
R/W:	R/W	R/W	R	R	R	R	R/W	R/W	R	R	R	R	R	R/(W)	R/(W)	R/W

DMAOR is a 32-bit readable/writable register that specifies the DMAC transfer mode.

DMAOR is initialized to H'00000000 by a power-on or manual reset. They retain their values in standby mode and deep sleep mode.

Bits 31 to 16—Reserved: These bits are always read as 0, and should only be written with 0.

Bit 15—On-Demand Data Transfer (DDT): Specifies on-demand data transfer mode. For details of the settings, see the description of the DDT bit in section 14.2.5, DMA Operation Register (DMAOR)

Bit 14—Number of DDT-Mode Channels (DBL): Selects the number of channels that are able to accept external requests in DDT mode.

Bit 14: DBL	Description
0	Four DDT-mode channels (Initial value)
1	Eight DDT-mode channels

Note: When DMAOR.DBL = 0, channels 4 to 7 cannot accept external requests.

When DMAOR.DBL = 1, one channel can be selected from among channels 0–7 by the combination of DTR.SZ and DTR.ID in the DTR format (see figure 14.54). Table 14.14 shows the channel selection by DTR format in the DDT mode.

Table 14.14 Channel Selection by DTR Format (DMAOR.DBL = 1)

DTR.ID[1:0]	DTR.SZ[2:0] ≠ 101	DTR.SZ[2:0] = 101
00	CH0	CH4
01	CH1	CH5
10	CH2	CH6
11	CH3	CH7

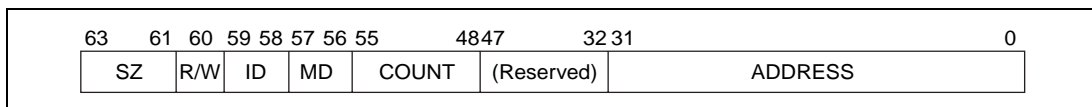


Figure 14.54 DTR Format (Transfer Request Format) (SH7750R)

Bits 13 to 10—Reserved: These bits are always read as 0, and should only be written with 0.

Bits 9 and 8—Priority Mode 1 and 0 (PR1, PR0): These bits determine the order of priority for channel execution when transfer requests are made for a number of channels simultaneously.

DMAOR Bit 9	DMAOR Bit 8	Description
PR1	PR0	
0	0	CH0 > CH1 > CH2 > CH3 > CH4 > CH5 > CH6 > CH7 (Initial value)
0	1	CH0 > CH2 > CH3 > CH4 > CH5 > CH6 > CH7 > CH1
1	0	CH2 > CH0 > CH1 > CH3 > CH4 > CH5 > CH6 > CH7
1	1	Round robin mode

Bits 7 to 3—Reserved: These bits are always read as 0, and should only be written with 0.

Bit 2—Address Error Flag (AE): Indicates that an address error has occurred during DMA transfer. If this bit is set during data transfer, transfers on all channels are suspended, and an interrupt request (DMAE) is generated. The CPU cannot write 1 to AE. This bit can only be cleared by writing 0 after reading 1. For details of the settings, see the description of the AE bit in section 14.2.5, DMA Operation Register (DMAOR)

Bit 1—NMI Flag (NMIF): Indicates that NMI has been input. This bit is set regardless of whether or not the DMAC is operating. If this bit is set during data transfer, transfers on all channels are suspended. The CPU cannot write 1 to NMIF. This bit can only be cleared by writing 0 after reading 1. For details of the settings, see the description of the NMIF bit in section 14.2.5, DMA Operation Register (DMAOR)

Bit 0—DMAC Master Enable (DME): Enables activation of the entire DMAC. When the DME bit and the DE bit of the CHCR register for the corresponding channel are set to 1, that channel is enabled for transfer. If this bit is cleared during data transfer, transfers on all channels are suspended.

Even if the DME bit has been set, transfer is not enabled when TE is 1 or DE is 0 in CHCR, or when the NMI or AE bit in DMAOR is 1. For details of the settings, see the description of the DME bit in section 14.2.5, DMA Operation Register (DMAOR)

14.8 Operation (SH7750R)

Operation specific to the SH7750R is described here. For details of operation, see section 14.3, Operation.

14.8.1 Channel Specification for a Normal DMA Transfer

In normal DMA transfer mode, the DMAC always operates with eight channels, and external requests are only accepted on channel 0 ($\overline{\text{DREQ}}$) and channel 1 ($\overline{\text{DREQ1}}$).

After setting the registers of the channels in use, including CHCR, SAR, DAR, and DMATCR, DMA transfer is started on receiving a DMA transfer request in the transfer-enabled state ($\text{DE} = 1$, $\text{DME} = 1$, $\text{TE} = 0$, $\text{NMIF} = 0$, $\text{AE} = 0$), in the order of predetermined priority. The transfer ends when the transfer-end condition is satisfied. There are three modes for transfer requests: auto-request, external request, and on-chip peripheral module request. The addressing modes for DMA transfer are the single-address mode and the dual-address mode. Bus mode is selectable between burst mode and cycle steal mode.

14.8.2 Channel Specification for DDT-Mode DMA Transfer

For DMA transfer in DDT mode, the DMAOR.DBL setting selects either four or eight channels. External requests are accepted on channels 0–3 when DMAOR.DBL = 0, and on channels 0–7 when DMAOR.DBL = 1. For further information on these settings, see the entry on the DBL bit in section 14.7.5, DMA Operation Register (DMAOR).

14.8.3 Transfer Channel Notification in DDT Mode

When the DMAC is set up for four-channel external request acceptance in DDT mode (DMAOR.DBL = 0), the ID [1:0] bits are used to notify the external device of the DMAC channel that is to be used. For more details, see section 14.5, On-Demand Data Transfer Mode.

When the DMAC is set up for eight-channel external request acceptance in DDT mode (DMAOR.DBL = 1), the ID [1:0] bits and the simultaneous (on the timing of $\overline{\text{TDACK}}$ assertion) assertion of $\overline{\text{ID2}}$ from the $\overline{\text{BAVL}}$ (bus-release notification) pin are used to notify the external device of the DMAC channel that is to be used (see table 14.15, Notification of Transfer Channel in Eight-Channel DDT Mode).

When the DMAC is set up for eight-channel external request acceptance in DDT mode (DMAOR.DBL = 1), it is important to note that the $\overline{\text{BAVL}}$ pin has the two functions as shown in table 14.16.

Table 14.15 Notification of Transfer Channel in Eight-Channel DDT Mode

$\overline{\text{BAVL}}/\overline{\text{ID2}}$	ID[1:0]	Transfer Channel
1	00	CH0
	01	CH1
	10	CH2
	11	CH3
0	00	CH4
	01	CH5
	10	CH6
	11	CH7

Table 14.16 Function of $\overline{\text{BAVL}}$

Function of $\overline{\text{BAVL}}$	
$\overline{\text{TDACK}} = \text{High}$	Bus available (data-bus enabled)
$\overline{\text{TDACK}} = \text{Low}$	Notification of channel number ($\overline{\text{ID2}}$)

14.8.4 Clearing Request Queues by DTR Format

In DDT mode, the request queues of any channel can be cleared by using DTR.ID, DTR.MD, DTR.SZ, and DTR.COUNT [7:4] in a DTR format. This function is only available when DMAOR.DBL = 1. Table 14.17 shows the DTR format settings for clearing request queues.

Table 14.17 DTR Format for Clearing Request Queues

DMAOR.DBL	DTR.ID	DTR.MD	DTR.SZ	DTR.COUNT[7:4]	Description
0	00	10	110	*	Clear the request queues of all channels (1–7).
					Clear the CH0 request-accepted flag
		11	Setting prohibited		
1	00	10	110	*	Clear the request queues of all channels (1–7).
					Clear the CH0 request-accepted flag.
		11	0001	Clear the CH0 request-accepted flag	
		0010	Clear the CH1 request queues.		
		0011	Clear the CH2 request queues.		
		0100	Clear the CH3 request queues.		
		0101	Clear the CH4 request queues.		
		0110	Clear the CH5 request queues.		
		0111	Clear the CH6 request queues.		
		1000	Clear the CH7 request queues.		

Note: (SH7750R) DTR.SZ = DTR[63:61], DTR.ID = DTR[59:58], DTR.MD = DTR[57:56], DTR.COUNT[7:4] = DTR[55:52]

14.8.5 Interrupt-Request Codes

When the number of transfers specified in DMATCR has been finished and the interrupt request is enabled (CHCR.IE = 1), a transfer-end interrupt request can be sent to the CPU from each channel. Table 14.18 lists the interrupt-request codes that are associated with these transfer-end interrupts.

Table 14.18 DMAC Interrupt-Request Codes

Source of the Interrupt	Description	INTEVT Code	Priority
DMTE0	CH0 transfer-end interrupt	H'640	High
DMTE1	CH1 transfer-end interrupt	H'660	
DMTE2	CH2 transfer-end interrupt	H'680	
DMTE3	CH3 transfer-end interrupt	H'6A0	
DMTE4	CH4 transfer-end interrupt	H'780	
DMTE5	CH5 transfer-end interrupt	H'7A0	
DMTE6	CH6 transfer-end interrupt	H'7C0	
DMTE7	CH7 transfer-end interrupt	H'7E0	
DMAE	Address error interrupt	H'6C0	Low

DMTE4–DMTE7: These codes are not used in the SH7750 or SH7750S.

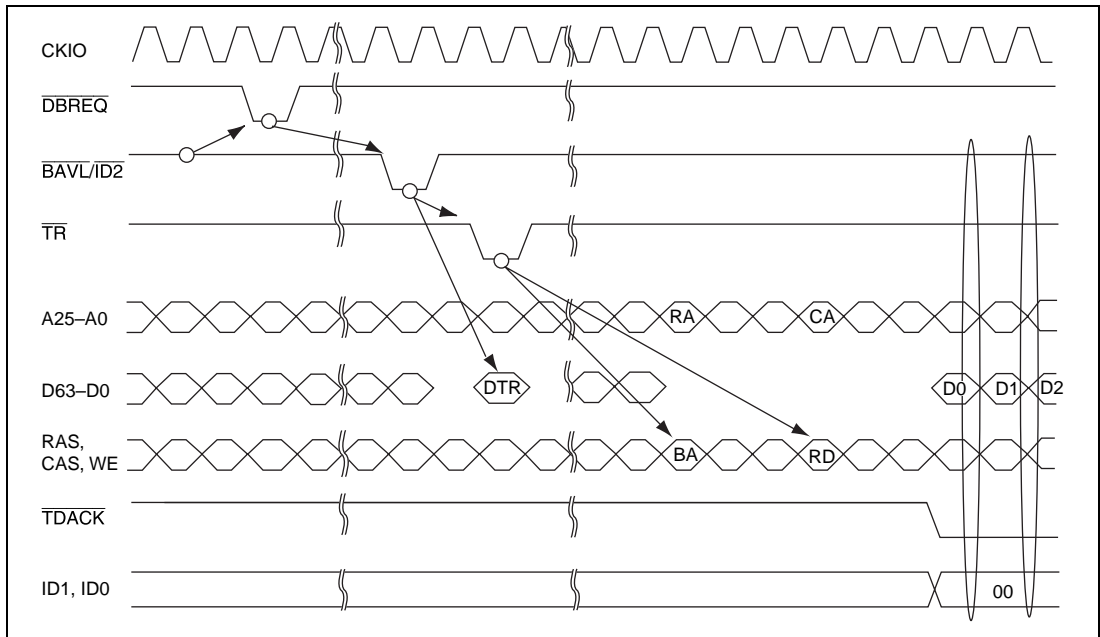


Figure 14.55 Single Address Mode/Burst Mode/External Bus → External Device 32-Byte Block Transfer/Channel 0 On-Demand Data Transfer

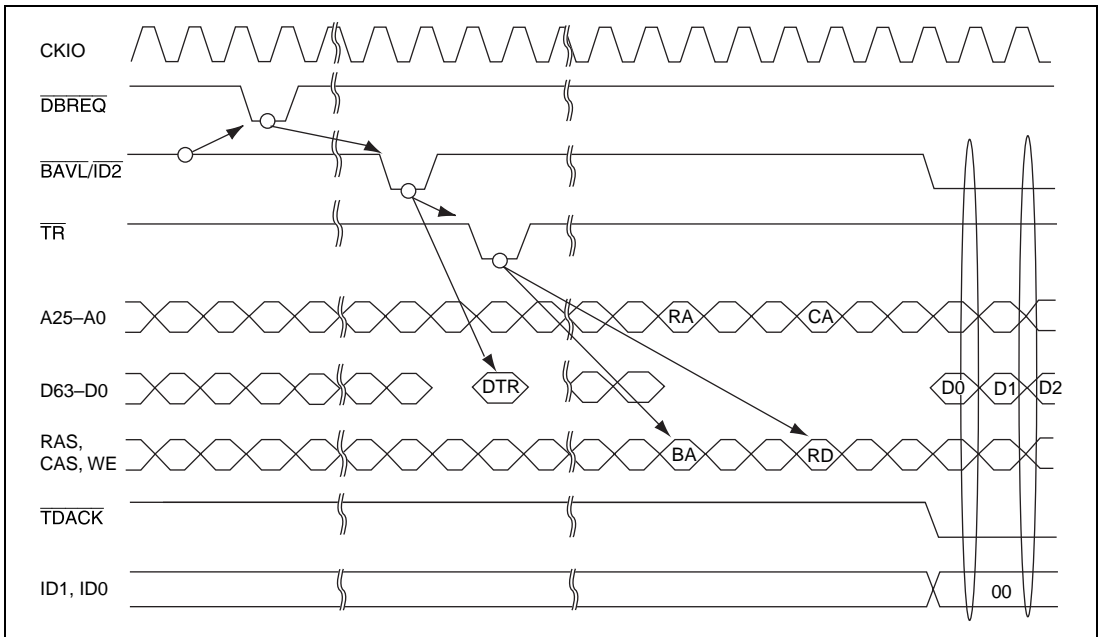


Figure 14.56 Single Address Mode/Burst Mode/External Bus → External Device/32-Byte Block Transfer/On-Demand Data Transfer on Channel 4

14.9 Usage Notes

1. When modifying SAR0–SAR3, DAR0–DAR3, DMATCR0–DMATCR3, and CHCR0–CHCR3 in the SH7750 or SH7750S or when modifying SAR0–SAR7, DAR0–DAR7, DMATCR0–DMATCR7, and CHCR0–CHCR7 in the SH7750R, first clear the DE bit for the relevant channel.

2. The NMIF bit in DMAOR is set when an NMI interrupt is input even if the DMAC is not operating.

Confirmation method when DMA transfer is not executed correctly:

With the SH7750 and SH7750S, read the NMIF, AE, and DME bits in DMAOR, the DE and TE bits in CHCR0–CHCR3, and DMATCR0–DMATCR3. With the SH7750R, read the NMIF, AE, and DME bits in DMAOR, the DE and TE bits in CHCR0–CHCR7, and DMATCR0–DMATCR7. If NMIF was set before the transfer, the DMATCR transfer count will remain at the set value. If NMIF was set during the transfer, when the DE bit is 1 and the TE bit is 0 in CHCR0–CHCR3 in the SH7750 or SH7750S or CHCR0–CHCR7 in the SH7750R, the DMATCR value will indicate the remaining number of transfers.

Also, the next addresses to be accessed can be found by reading SAR0–SAR3 and DAR0–DAR3 in the SH7750 or SH7750S or SAR0–SAR7 and DAR0–DAR7 in the SH7750R. If the AE bit has been set, an address error has occurred. Check the set values in CHCR, SAR, and DAR.

3. Check that DMA transfer is not in progress before making a transition to the module standby state, standby mode, or deep sleep mode.

Either check that TE = 1 in the SH7750 or SH7750S's CHCR0–CHCR3 or in the SH7750R's CHCR0–CHCR7, or clear DME to 0 in DMAOR to terminate DMA transfer. When DME is cleared to 0 in DMAOR, transfer halts at the end of the currently executing DMA bus cycle. Note, therefore, that transfer may not end immediately, depending on the transfer data size. DMA operation is not guaranteed if the module standby state, standby mode, or deep sleep mode is entered without confirming that DMA transfer has ended.

4. Do not specify a DMAC, CCN, BSC, or UBC control register as the DMAC transfer source or destination.
5. When activating the DMAC, make the SAR, DAR, and DMATCR register settings for the relevant channel before setting DE to 1 in CHCR, or make the register settings with DE cleared to 0 in CHCR, then set DE to 1. It does not matter whether setting of the DME bit to 1 in DMAOR is carried out first or last. To operate the relevant channel, DME and DE must both be set to 1. The DMAC may not operate normally if the SAR, DAR, and DMATCR settings are not made (with the exception of the unused register in single address mode).
6. After the DMATCR count reaches 0 and DMA transfer ends normally, always write 0 to DMATCR even when executing the maximum number of transfers on the same channel.
7. When falling edge detection is used for external requests, keep the external request pin high when making DMAC settings.

8. When using the DMAC in single address mode, set an external address as the address. All channels will halt due to an address error if an on-chip peripheral module address is set.
9. In external request ($\overline{\text{DREQ}}$) edge detection in the SH7750R, an external request that has been accepted can be cancelled in the following way. Firstly, negate $\overline{\text{DREQ}}$ and change the value of CHCR.DS from 1 to 0. After that, set the CHCR.DS bit back to 1, then assert $\overline{\text{DREQ}}$. (Though the SH7750R does not have a DMAOR.COD bit, similar to when the DMAOR.COD bit is 1 in the SH7750S, external requests that have once been accepted can be cancelled when the external request ($\overline{\text{DREQ}}$) edge is detected.)

Section 15 Serial Communication Interface (SCI)

15.1 Overview

The SH7750 Series is equipped with a single-channel serial communication interface (SCI) and a single-channel serial communication interface with built-in FIFO registers (SCI with FIFO: SCIF).

The SCI can handle both asynchronous and synchronous serial communication.

The SCI supports a smart card interface conforming to ISO/IEC 7816-3 (Identification Card) as a serial communication interface function for IC card interface use. For details, see section 17, Smart Card Interface.

The SCIF is a dedicated asynchronous communication serial interface with built-in 16-stage FIFO registers for both transmission and reception. For details, see section 16, Serial Communication Interface with FIFO (SCIF).

15.1.1 Features

SCI features are listed below.

- Choice of synchronous or asynchronous serial communication mode

- Asynchronous mode

Serial data communication is executed using an asynchronous system in which synchronization is achieved character by character. Serial data communication can be carried out with standard asynchronous communication chips such as a Universal Asynchronous Receiver/Transmitter (UART) or Asynchronous Communication Interface Adapter (ACIA). A multiprocessor communication function is also provided that enables serial data communication with a number of processors.

There is a choice of 12 serial data transfer formats.

Data length: 7 or 8 bits

Stop bit length: 1 or 2 bits

Parity: Even/odd/none

Multiprocessor bit: 1 or 0

Receive error detection: Parity, overrun, and framing errors

Break detection: A break can be detected by reading the RxD pin level directly from the serial port register (SCSPTR1) when a framing error occurs.

— Synchronous mode

Serial data communication is synchronized with a clock. Serial data communication can be carried out with other chips that have a synchronous communication function.

There is a single serial data transfer format.

Data length: 8 bits

Receive error detection: Overrun errors

- Full-duplex communication capability

The transmitter and receiver are mutually independent, enabling transmission and reception to be executed simultaneously. Double-buffering is used in both the transmitter and the receiver, enabling continuous transmission and continuous reception of serial data.

- On-chip baud rate generator allows any bit rate to be selected.

- Choice of serial clock source: internal clock from baud rate generator or external clock from SCK pin

- Four interrupt sources

There are four interrupt sources—transmit-data-empty, transmit-end, receive-data-full, and receive-error—that can issue requests independently. The transmit-data-empty interrupt and receive-data-full interrupt can activate the DMA controller (DMAC) to execute a data transfer.

- When not in use, the SCI can be stopped by halting its clock supply to reduce power consumption.

15.1.2 Block Diagram

Figure 15.1 shows a block diagram of the SCI.

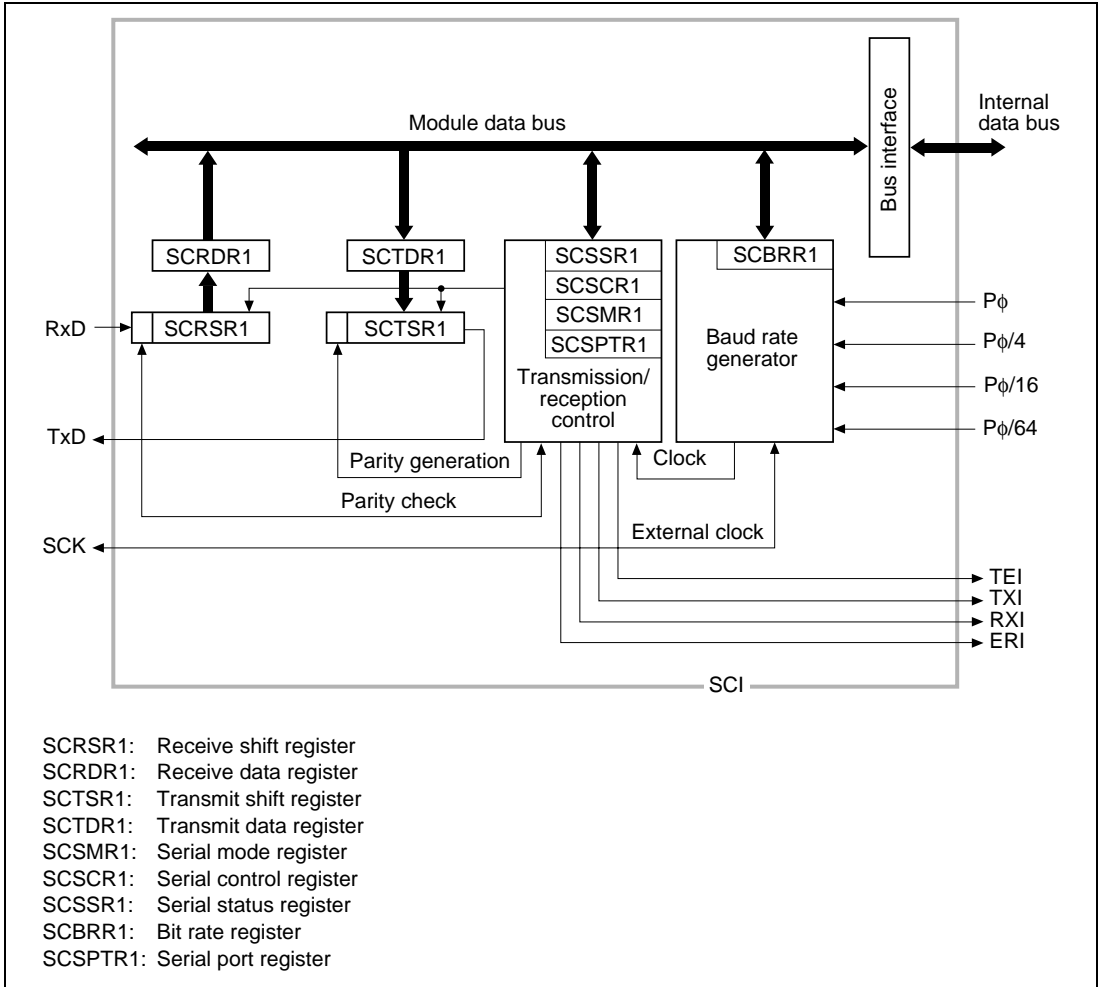


Figure 15.1 Block Diagram of SCI

15.1.3 Pin Configuration

Table 15.1 shows the SCI pin configuration.

Table 15.1 SCI Pins

Pin Name	Abbreviation	I/O	Function
Serial clock pin	MD0/SCK	I/O	Clock input/output
Receive data pin	RxD	Input	Receive data input
Transmit data pin	MD7/TxD	Output	Transmit data output

Note: The serial clock pin and transmit data pin function as mode input pins MD0 and MD7 after a power-on reset. They are made to function as serial pins by performing SCI operation settings with the TE, RE, CKEI, and CKE0 bits in SCSCR1 and the $\overline{C/A}$ bit in SCSMR1. Break state transmission and detection, can be set in the SCI's SCSPTR1 register.

15.1.4 Register Configuration

The SCI has the internal registers shown in table 15.2. These registers are used to specify asynchronous mode or synchronous mode, the data format, and the bit rate, and to perform transmitter/receiver control.

With the exception of the serial port register, the SCI registers are initialized in standby mode and in the module standby state as well as after a power-on reset or manual reset. When recovering from standby mode or the module standby state, the registers must be set again.

Table 15.2 SCI Registers

Name	Abbreviation	R/W	Initial Value	P4 Address	Area 7 Address	Access Size
Serial mode register	SCSMR1	R/W	H'00	H'FFE00000	H'1FE00000	8
Bit rate register	SCBRR1	R/W	H'FF	H'FFE00004	H'1FE00004	8
Serial control register	SCSCR1	R/W	H'00	H'FFE00008	H'1FE00008	8
Transmit data register	SCTDR1	R/W	H'FF	H'FFE0000C	H'1FE0000C	8
Serial status register	SCSSR1	R/(W)* ¹	H'84	H'FFE00010	H'1FE00010	8
Receive data register	SCRDR1	R	H'00	H'FFE00014	H'1FE00014	8
Serial port register	SCSPTR1	R/W	H'00* ²	H'FFE0001C	H'1FE0001C	8

Notes: *1 Only 0 can be written, to clear flags.

*2 The value of bits 2 and 0 is undefined.

15.2 Register Descriptions

15.2.1 Receive Shift Register (SCRSR1)

Bit:	7	6	5	4	3	2	1	0
	<input type="checkbox"/>	<input type="checkbox"/>	<input type="checkbox"/>	<input type="checkbox"/>	<input type="checkbox"/>	<input type="checkbox"/>	<input type="checkbox"/>	<input type="checkbox"/>
R/W:	—	—	—	—	—	—	—	—

SCRSR1 is the register used to receive serial data.

The SCI sets serial data input from the RxD pin in SCRSR1 in the order received, starting with the LSB (bit 0), and converts it to parallel data. When one byte of data has been received, it is transferred to SCRDR1 automatically.

SCRSR1 cannot be directly read or written to by the CPU.

15.2.2 Receive Data Register (SCRDR1)

Bit:	7	6	5	4	3	2	1	0
	<input type="checkbox"/>	<input type="checkbox"/>	<input type="checkbox"/>	<input type="checkbox"/>	<input type="checkbox"/>	<input type="checkbox"/>	<input type="checkbox"/>	<input type="checkbox"/>
Initial value:	0	0	0	0	0	0	0	0
R/W:	R	R	R	R	R	R	R	R

SCRDR1 is the register that stores received serial data.

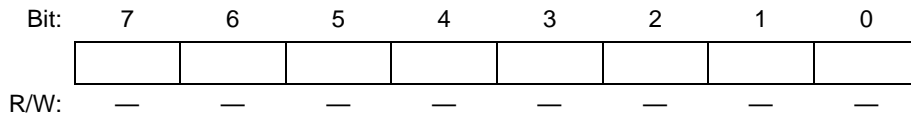
When the SCI has received one byte of serial data, it transfers the received data from SCRSR1 to SCRDR1 where it is stored, and completes the receive operation. SCRSR1 is then enabled for reception.

Since SCRSR1 and SCRDR1 function as a double buffer in this way, it is possible to receive data continuously.

SCRDR1 is a read-only register, and cannot be written to by the CPU.

SCRDR1 is initialized to H'00 by a power-on reset or manual reset, in standby mode, and in the module standby state.

15.2.3 Transmit Shift Register (SCTSR1)



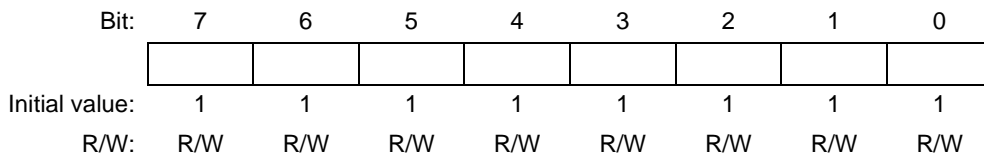
SCTSR1 is the register used to transmit serial data.

To perform serial data transmission, the SCI first transfers transmit data from SCTDR1 to SCTSR1, then sends the data to the TxD pin starting with the LSB (bit 0).

When transmission of one byte is completed, the next transmit data is transferred from SCTDR1 to SCTSR1, and transmission started, automatically. However, data transfer from SCTDR1 to SCTSR1 is not performed if the TDRE flag in the serial status register (SCSSR1) is set to 1.

SCTSR1 cannot be directly read or written to by the CPU.

15.2.4 Transmit Data Register (SCTDR1)



SCTDR1 is an 8-bit register that stores data for serial transmission.

When the SCI detects that SCTSR1 is empty, it transfers the transmit data written in SCTDR1 to SCTSR1 and starts serial transmission. Continuous serial transmission can be carried out by writing the next transmit data to SCTDR1 during serial transmission of the data in SCTSR1.

SCTDR1 can be read or written to by the CPU at all times.

SCTDR1 is initialized to H'FF by a power-on reset or manual reset, in standby mode, and in the module standby state.

15.2.5 Serial Mode Register (SCSMR1)

Bit:	7	6	5	4	3	2	1	0
	C/ \bar{A}	CHR	PE	O/ \bar{E}	STOP	MP	CKS1	CKS0
Initial value:	0	0	0	0	0	0	0	0
R/W:	R/W	R/W	R/W	R/W	R/W	R/W	R/W	R/W

SCSMR1 is an 8-bit register used to set the SCI's serial transfer format and select the baud rate generator clock source.

SCSMR1 can be read or written to by the CPU at all times.

SCSMR1 is initialized to H'00 by a power-on reset or manual reset, in standby mode, and in the module standby state.

Bit 7—Communication Mode (C/ \bar{A}): Selects asynchronous mode or synchronous mode as the SCI operating mode.

Bit 7: C/ \bar{A}	Description
0	Asynchronous mode (Initial value)
1	Synchronous mode

Bit 6—Character Length (CHR): Selects 7 or 8 bits as the data length in asynchronous mode. In synchronous mode, a fixed data length of 8 bits is used regardless of the CHR setting,

Bit 6: CHR	Description
0	8-bit data (Initial value)
1	7-bit data*

Note: * When 7-bit data is selected, the MSB (bit 7) of SCTDR1 is not transmitted.

Bit 5—Parity Enable (PE): In asynchronous mode, selects whether or not parity bit addition is performed in transmission, and parity bit checking in reception. In synchronous mode, parity bit addition and checking is not performed, regardless of the PE bit setting.

Bit 5: PE	Description
0	Parity bit addition and checking disabled (Initial value)
1	Parity bit addition and checking enabled*

Note: * When the PE bit is set to 1, the parity (even or odd) specified by the O/ \bar{E} bit is added to transmit data before transmission. In reception, the parity bit is checked for the parity (even or odd) specified by the O/ \bar{E} bit.

Bit 4—Parity Mode (O/\bar{E}): Selects either even or odd parity for use in parity addition and checking. The O/\bar{E} bit setting is only valid when the PE bit is set to 1, enabling parity bit addition and checking, in asynchronous mode. The O/\bar{E} bit setting is invalid in synchronous mode, and when parity addition and checking is disabled in asynchronous mode.

Bit 4: O/\bar{E}	Description
0	Even parity* ¹ (Initial value)
1	Odd parity* ²

Notes: *1 When even parity is set, parity bit addition is performed in transmission so that the total number of 1-bits in the transmit character plus the parity bit is even. In reception, a check is performed to see if the total number of 1-bits in the receive character plus the parity bit is even.

*2 When odd parity is set, parity bit addition is performed in transmission so that the total number of 1-bits in the transmit character plus the parity bit is odd. In reception, a check is performed to see if the total number of 1-bits in the receive character plus the parity bit is odd.

Bit 3—Stop Bit Length (STOP): Selects 1 or 2 bits as the stop bit length in asynchronous mode. The STOP bit setting is only valid in asynchronous mode. If synchronous mode is set, the STOP bit setting is invalid since stop bits are not added.

Bit 3: STOP	Description
0	1 stop bit* ¹ (Initial value)
1	2 stop bits* ²

Notes: *1 In transmission, a single 1-bit (stop bit) is added to the end of a transmit character before it is sent.

*2 In transmission, two 1-bits (stop bits) are added to the end of a transmit character before it is sent.

In reception, only the first stop bit is checked, regardless of the STOP bit setting. If the second stop bit is 1, it is treated as a stop bit; if it is 0, it is treated as the start bit of the next transmit character.

Bit 2—Multiprocessor Mode (MP): Selects a multiprocessor format. When a multiprocessor format is selected, the PE bit and O/E bit parity settings are invalid. The MP bit setting is only valid in asynchronous mode; it is invalid in synchronous mode.

For details of the multiprocessor communication function including notes on use, see section 15.3.3, Multiprocessor Communication Function.

Bit 2: MP	Description	
0	Multiprocessor function disabled	(Initial value)
1	Multiprocessor format selected	

Bits 1 and 0—Clock Select 1 and 0 (CKS1, CKS0): These bits select the clock source for the on-chip baud rate generator. The clock source can be selected from P ϕ , P ϕ /4, P ϕ /16, and P ϕ /64, according to the setting of bits CKS1 and CKS0.

For the relation between the clock source, the bit rate register setting, and the baud rate, see section 15.2.9, Bit Rate Register (SCBRR1).

Bit 1: CKS1	Bit 0: CKS0	Description	
0	0	P ϕ clock	(Initial value)
	1	P ϕ /4 clock	
1	0	P ϕ /16 clock	
	1	P ϕ /64 clock	

Note: P ϕ : Peripheral clock

15.2.6 Serial Control Register (SCSCR1)

Bit:	7	6	5	4	3	2	1	0
	TIE	RIE	TE	RE	MPIE	TEIE	CKE1	CKE0
Initial value:	0	0	0	0	0	0	0	0
R/W:	R/W	R/W	R/W	R/W	R/W	R/W	R/W	R/W

The SCSCR1 register performs enabling or disabling of SCI transfer operations, serial clock output in asynchronous mode, and interrupt requests, and selection of the serial clock source.

SCSCR1 can be read or written to by the CPU at all times.

SCSCR1 is initialized to H'00 by a power-on reset or manual reset, in standby mode, and in the module standby state.

Bit 7—Transmit Interrupt Enable (TIE): Enables or disables transmit-data-empty interrupt (TXI) request generation when serial transmit data is transferred from SCTDR1 to SCTSR1 and the TDRE flag in SCSSR1 is set to 1.

Bit 7: TIE	Description
0	Transmit-data-empty interrupt (TXI) request disabled* (Initial value)
1	Transmit-data-empty interrupt (TXI) request enabled

Note: *TXI interrupt requests can be cleared by reading 1 from the TDRE flag, then clearing it to 0, or by clearing the TIE bit to 0.

Bit 6—Receive Interrupt Enable (RIE): Enables or disables receive-data-full interrupt (RXI) request and receive-error interrupt (ERI) request generation when serial receive data is transferred from SCRSR1 to SCRDR1 and the RDRF flag in SCSSR1 is set to 1.

Bit 6: RIE	Description
0	Receive-data-full interrupt (RXI) request and receive-error interrupt (ERI) request disabled* (Initial value)
1	Receive-data-full interrupt (RXI) request and receive-error interrupt (ERI) request enabled

Note: *RXI and ERI interrupt requests can be cleared by reading 1 from the RDRF flag, or the FER, PER, or ORER flag, then clearing the flag to 0, or by clearing the RIE bit to 0.

Bit 5—Transmit Enable (TE): Enables or disables the start of serial transmission by the SCI.

Bit 5: TE	Description
0	Transmission disabled* ¹ (Initial value)
1	Transmission enabled* ²

Notes: *¹ The TDRE flag in SCSSR1 is fixed at 1.

*² In this state, serial transmission is started when transmit data is written to SCTDR1 and the TDRE flag in SCSSR1 is cleared to 0.

SCSMR1 setting must be performed to decide the transmit format before setting the TE bit to 1.

Bit 4—Receive Enable (RE): Enables or disables the start of serial reception by the SCI.

Bit 4: RE	Description
0	Reception disabled* ¹ (Initial value)
1	Reception enabled* ²

Notes: *1 Clearing the RE bit to 0 does not affect the RDRF, FER, PER, and ORER flags, which retain their states.

*2 Serial reception is started in this state when a start bit is detected in asynchronous mode or serial clock input is detected in synchronous mode.

SCSMR1 setting must be performed to decide the receive format before setting the RE bit to 1.

Bit 3—Multiprocessor Interrupt Enable (MPIE): Enables or disables multiprocessor interrupts. The MPIE bit setting is only valid in asynchronous mode when the MP bit in SCSMR1 is set to 1.

The MPIE bit setting is invalid in synchronous mode or when the MP bit is cleared to 0.

Bit 3: MPIE	Description
0	Multiprocessor interrupts disabled (normal reception performed) (Initial value) [Clearing conditions] <ul style="list-style-type: none">• When the MPIE bit is cleared to 0• When data with MPB = 1 is received
1	Multiprocessor interrupts enabled*

Note: * When receive data including MPB = 1 is received, the MPIE bit is cleared to 0 automatically, and generation of RXI and ERI interrupts (when the TIE and RIE bits in SCSCR1 are set to 1) and FER and ORER flag setting is enabled.

Bit 2—Transmit-End interrupt Enable (TEIE): Enables or disables transmit-end interrupt (TEI) request generation when there is no valid transmit data in SCTDR1 at the time for MSB data transmission.

Bit 2: TEIE	Description
0	Transmit-end interrupt (TEI) request disabled* (Initial value)
1	Transmit-end interrupt (TEI) request enabled*

Note: * TEI interrupt requests can be cleared by reading 1 from the TDRE flag in SCSSR1, then clearing it to 0 and clearing the TEND flag to 0, or by clearing the TEIE bit to 0.

Bits 1 and 0—Clock Enable 1 and 0 (CKE1, CKE0): These bits are used to select the SCI clock source and enable or disable clock output from the SCK pin. The combination of the CKE1 and CKE0 bits determines whether the SCK pin functions as the serial clock output pin or the serial clock input pin.

The setting of the CKE0 bit, however, is only valid for internal clock operation (CKE1 = 0) in asynchronous mode. The CKE0 bit setting is invalid in synchronous mode and in the case of external clock operation (CKE1 = 1). The CKE1 and CKE0 bits must be set before determining the SCI's operating mode with SCSMR1.

For details of clock source selection, see table 15.9 in section 15.3, Operation.

Bit 1: CKE1	Bit 0: CKE0	Description	
0	0	Asynchronous mode	Internal clock/SCK pin functions as input pin (input signal ignored)* ¹
		Synchronous mode	Internal clock/SCK pin functions as serial clock output* ¹
	1	Asynchronous mode	Internal clock/SCK pin functions as clock output* ²
		Synchronous mode	Internal clock/SCK pin functions as serial clock output
1	0	Asynchronous mode	External clock/SCK pin functions as clock input* ³
		Synchronous mode	External clock/SCK pin functions as serial clock input
	1	Asynchronous mode	External clock/SCK pin functions as clock input* ³
		Synchronous mode	External clock/SCK pin functions as serial clock input

Notes: *1 Initial value

*2 Outputs a clock of the same frequency as the bit rate.

*3 Inputs a clock with a frequency 16 times the bit rate.

15.2.7 Serial Status Register (SCSSR1)

Bit:	7	6	5	4	3	2	1	0
	TDRE	RDRF	ORER	FER	PER	TEND	MPB	MPBT
Initial value:	1	0	0	0	0	1	—	0
R/W:	R/(W)*	R/(W)*	R/(W)*	R/(W)*	R/(W)*	R	R	R/W

Note: * Only 0 can be written, to clear the flag.

SCSSR1 is an 8-bit register containing status flags that indicate the operating status of the SCI, and multiprocessor bits.

SCSSR1 can be read or written to by the CPU at all times. However, 1 cannot be written to flags TDRE, RDRF, ORER, PER, and FER. Also note that in order to clear these flags they must be read as 1 beforehand. The TEND flag and MPB flag are read-only flags and cannot be modified.

SCSSR1 is initialized to H'84 by a power-on reset or manual reset, in standby mode, and in the module standby state.

Bit 7—Transmit Data Register Empty (TDRE): Indicates that data has been transferred from SCTDR1 to SCTSR1 and the next serial transmit data can be written to SCTDR1.

Bit 7: TDRE	Description
0	Valid transmit data has been written to SCTDR1 [Clearing conditions] <ul style="list-style-type: none"> • When 0 is written to TDRE after reading TDRE = 1 • When data is written to SCTDR1 by the DMAC
1	There is no valid transmit data in SCTDR1 (Initial value) [Setting conditions] <ul style="list-style-type: none"> • Power-on reset, manual reset, standby mode, or module standby • When the TE bit in SCSCR1 is 0 • When data is transferred from SCTDR1 to SCTSR1 and data can be written to SCTDR1

Bit 6—Receive Data Register Full (RDRF): Indicates that the received data has been stored in SCRDR1.

Bit 6: RDRF	Description
0	There is no valid receive data in SCRDR1 (Initial value) [Clearing conditions] <ul style="list-style-type: none"> • Power-on reset, manual reset, standby mode, or module standby • When 0 is written to RDRF after reading RDRF = 1 • When data in SCRDR1 is read by the DMAC
1	There is valid receive data in SCRDR1 [Setting condition] When serial reception ends normally and receive data is transferred from SCRSR1 to SCRDR1

Note: SCRDR1 and the RDRF flag are not affected and retain their previous values when an error is detected during reception or when the RE bit in SCSCR1 is cleared to 0.
If reception of the next data is completed while the RDRF flag is still set to 1, an overrun error will occur and the receive data will be lost.

Bit 5—Overrun Error (ORER): Indicates that an overrun error occurred during reception, causing abnormal termination.

Bit 5: ORER	Description
0	Reception in progress, or reception has ended normally* ¹ (Initial value) [Clearing conditions] <ul style="list-style-type: none"> • Power-on reset, manual reset, standby mode, or module standby • When 0 is written to ORER after reading ORER = 1
1	An overrun error occurred during reception* ² [Setting condition] When the next serial reception is completed while RDRF = 1

Notes: *¹ The ORER flag is not affected and retains its previous state when the RE bit in SCSCR1 is cleared to 0.

*² The receive data prior to the overrun error is retained in SCRDR1, and the data received subsequently is lost. Serial reception cannot be continued while the ORER flag is set to 1. In synchronous mode, serial transmission cannot be continued either.

Bit 4—Framing Error (FER): Indicates that a framing error occurred during reception in asynchronous mode, causing abnormal termination.

Bit 4: FER	Description
0	Reception in progress, or reception has ended normally* ¹ (Initial value) [Clearing conditions] <ul style="list-style-type: none"> • Power-on reset, manual reset, standby mode, or module standby • When 0 is written to FER after reading FER = 1
1	A framing error occurred during reception [Setting condition] <p>When the SCI checks whether the stop bit at the end of the receive data is 1 when reception ends, and the stop bit is 0*²</p>

Notes: *1 The FER flag is not affected and retains its previous state when the RE bit in SCSCR1 is cleared to 0.
*2 In 2-stop-bit mode, only the first stop bit is checked for a value of 1; the second stop bit is not checked. If a framing error occurs, the receive data is transferred to SCRDR1 but the RDRF flag is not set. Serial reception cannot be continued while the FER flag is set to 1.

Bit 3—Parity Error (PER): Indicates that a parity error occurred during reception with parity addition in asynchronous mode, causing abnormal termination.

Bit 3: PER	Description
0	Reception in progress, or reception has ended normally* ¹ (Initial value) [Clearing conditions] <ul style="list-style-type: none"> • Power-on reset, manual reset, standby mode, or module standby • When 0 is written to PER after reading PER = 1
1	A parity error occurred during reception* ² [Setting condition] <p>When, in reception, the number of 1-bits in the receive data plus the parity bit does not match the parity setting (even or odd) specified by the O/E bit in SCSMR1</p>

Notes: *1 The PER flag is not affected and retains its previous state when the RE bit in SCSCR1 is cleared to 0.
*2 If a parity error occurs, the receive data is transferred to SCRDR1 but the RDRF flag is not set. Serial reception cannot be continued while the PER flag is set to 1.

Bit 2—Transmit End (TEND): Indicates that there is no valid data in SCTDR1 when the last bit of the transmit character is sent, and transmission has been ended.

The TEND flag is read-only and cannot be modified.

Bit 2: TEND	Description
0	Transmission is in progress [Clearing conditions] <ul style="list-style-type: none">• When 0 is written to TDRE after reading TDRE = 1• When data is written to SCTDR1 by the DMAC
1	Transmission has been ended (Initial value) [Setting conditions] <ul style="list-style-type: none">• Power-on reset, manual reset, standby mode, or module standby• When the TE bit in SCSCR1 is 0• When TDRE = 1 on transmission of the last bit of a 1-byte serial transmit character

Bit 1—Multiprocessor Bit (MPB)*: This bit is read-only and cannot be written to. The read value is undefined.

Note: * This bit is prepared for storing a multi-processor bit in the received data when the receipt is carried out with a multi-processor format in asynchronous mode. This bit does not function correctly in this LSI. However, do not use the read value from this bit.

Bit 0—Multiprocessor Bit Transfer (MPBT): When transmission is performed using a multiprocessor format in asynchronous mode, MPBT stores the multiprocessor bit to be added to the transmit data.

The MPBT bit setting is invalid in synchronous mode, when a multiprocessor format is not used, and when the operation is not transmission.

Unlike transmit data, the MPBT bit is not double-buffered, so it is necessary to check whether transmission has been completed before changing its value.

Bit 0: MPBT	Description
0	Data with a 0 multiprocessor bit is transmitted (Initial value)
1	Data with a 1 multiprocessor bit is transmitted

15.2.8 Serial Port Register (SCSPTR1)

Bit:	7	6	5	4	3	2	1	0
	EIO	—	—	—	SPB1IO	SPB1DT	SPB0IO	SPB0DT
Initial value:	0	0	0	0	0	—	0	—
R/W:	R/W	—	—	—	R/W	R/W	R/W	R/W

SCSPTR1 is an 8-bit readable/writable register that controls input/output and data for the port pins multiplexed with the serial communication interface (SCI) pins. Input data can be read from the RxD pin, output data written to the TxD pin, and breaks in serial transmission/reception controlled, by means of bits 1 and 0. SCK pin data reading and output data writing can be performed by means of bits 3 and 2. Bit 7 controls enabling and disabling of the RXI interrupt.

SCSPTR1 can be read or written to by the CPU at all times. All SCSPTR1 bits except bits 2 and 0 are initialized to H'00 by a power-on reset or manual reset; the value of bits 2 and 0 is undefined. SCSPTR1 is not initialized in the module standby state or standby mode.

Bit 7—Error Interrupt Only (EIO): When the EIO bit is 1, an RXI interrupt request is not sent to the CPU even if the RIE bit is set to 1. When the DMAC is used, this setting means that only ERI interrupts are handled by the CPU. The DMAC transfers read data to memory or another peripheral module. This bit specifies enabling or disabling of the RXI interrupt.

Bit 7: EIO	Description
0	When the RIE bit is 1, RXI and ERI interrupts are sent to INTC (Initial value)
1	When the RIE bit is 1, only ERI interrupts are sent to INTC

Bits 6 to 4—Reserved: These bits are always read as 0, and should only be written with 0.

Bit 3—Serial Port Clock Port I/O (SPB1IO): Specifies serial port SCK pin input/output. When the SCK pin is actually set as a port output pin and outputs the value set by the SPB1DT bit, the $\overline{C/A}$ bit in SCSMR1 and the CKE1 and CKE0 bits in SCSCR1 should be cleared to 0.

Bit 3: SPB1IO	Description
0	SPB1DT bit value is not output to the SCK pin (Initial value)
1	SPB1DT bit value is output to the SCK pin

Bit 2—Serial Port Clock Port Data (SPB1DT): Specifies the serial port SCK pin input/output data. Input or output is specified by the SPB1IO bit (see the description of bit 3, SPB1IO, for details). When output is specified, the value of the SPB1DT bit is output to the SCK pin. The SCK pin value is read from the SPB1DT bit regardless of the value of the SPB1IO bit. The initial value of this bit after a power-on or manual reset is undefined.

Bit 2: SPB1DT	Description
0	Input/output data is low-level
1	Input/output data is high-level

Bit 1—Serial Port Break I/O (SPB0IO): Specifies the serial port TxD pin output condition. When the TxD pin is actually set as a port output pin and outputs the value set by the SPB0DT bit, the TE bit in SCSCR1 should be cleared to 0.

Bit 1: SPB0IO	Description
0	SPB0DT bit value is not output to the TxD pin (Initial value)
1	SPB0DT bit value is output to the TxD pin

Bit 0—Serial Port Break Data (SPB0DT): Specifies the serial port RxD pin input data and TxD pin output data. The TxD pin output condition is specified by the SPB0IO bit (see the description of bit 1, SPB0IO, for details). When the TxD pin is designated as an output, the value of the SPB0DT bit is output to the TxD pin. The RxD pin value is read from the SPB0DT bit regardless of the value of the SPB0IO bit. The initial value of this bit after a power-on or manual reset is undefined.

Bit 0: SPB0DT	Description
0	Input/output data is low-level
1	Input/output data is high-level

SCI I/O port block diagrams are shown in figures 15.2 to 15.4.

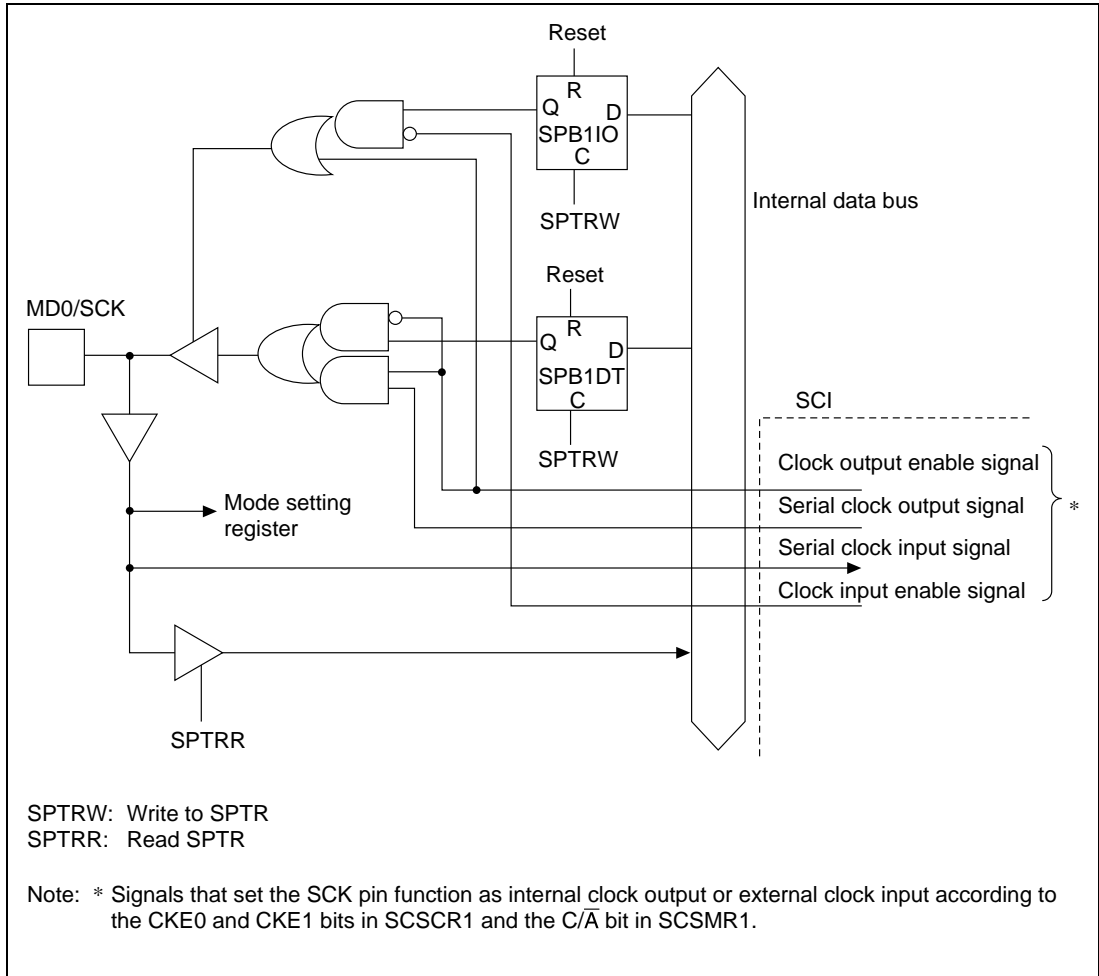


Figure 15.2 MD0/SCK Pin

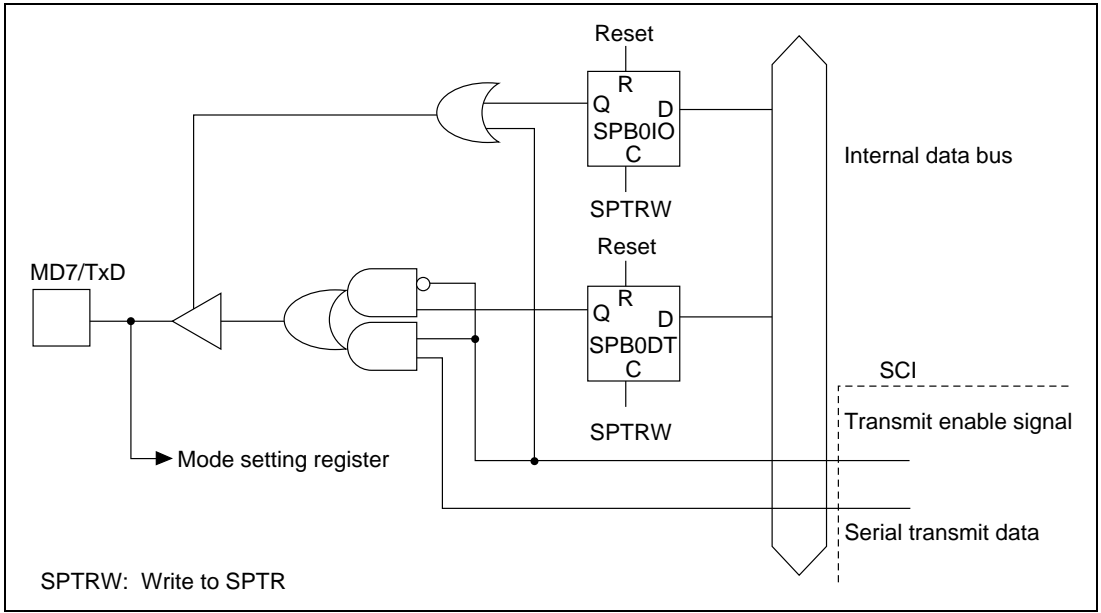


Figure 15.3 MD7/TxD Pin

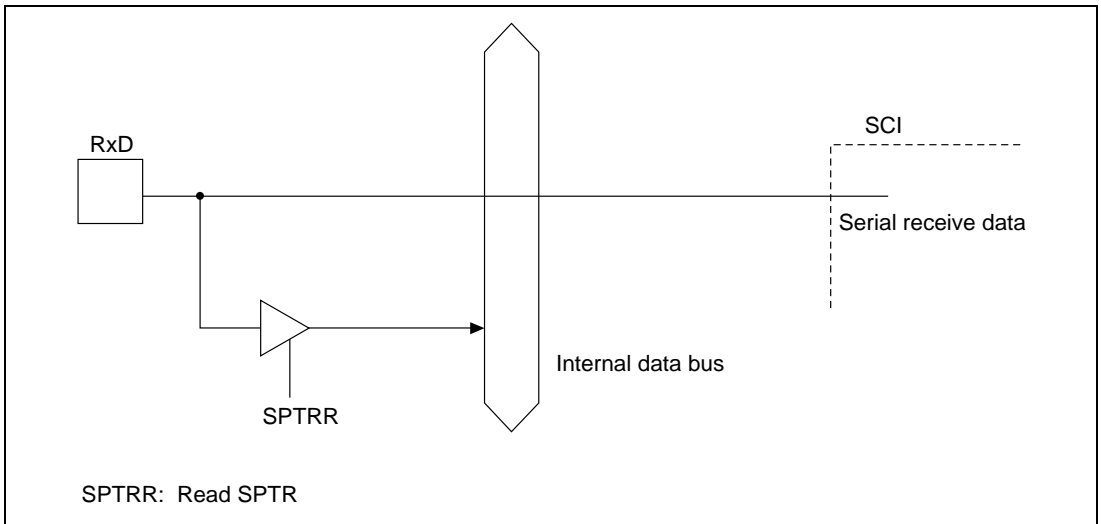


Figure 15.4 RxD Pin

15.2.9 Bit Rate Register (SCBRR1)

Bit:	7	6	5	4	3	2	1	0
Initial value:	1	1	1	1	1	1	1	1
R/W:	R/W	R/W	R/W	R/W	R/W	R/W	R/W	R/W

SCBRR1 is an 8-bit register that sets the serial transfer bit rate in accordance with the baud rate generator operating clock selected by bits CKS1 and CKS0 in SCSMR1.

SCBRR1 can be read or written to by the CPU at all times.

SCBRR1 is initialized to H'FF by a power-on reset or manual reset, in standby mode, and in the module standby state.

The SCBRR1 setting is found from the following equations.

Asynchronous mode:

$$N = \frac{P\phi}{64 \times 2^{2n-1} \times B} \times 10^6 - 1$$

Synchronous mode:

$$N = \frac{P\phi}{8 \times 2^{2n-1} \times B} \times 10^6 - 1$$

Where B: Bit rate (bits/s)

N: SCBRR1 setting for baud rate generator ($0 \leq N \leq 255$)

Pφ: Peripheral module operating frequency (MHz)

n: Baud rate generator input clock ($n = 0$ to 3)

(See the table below for the relation between n and the clock.)

n	Clock	SCSMR1 Setting	
		CKS1	CKS0
0	Pφ	0	0
1	Pφ/4	0	1
2	Pφ/16	1	0
3	Pφ/64	1	1

The bit rate error in asynchronous mode is found from the following equation:

$$\text{Error (\%)} = \left\{ \frac{P_{\phi} \times 10^6}{(N + 1) \times B \times 64 \times 2^{2n-1}} - 1 \right\} \times 100$$

Table 15.3 shows sample SCBRR1 settings in asynchronous mode, and table 15.4 shows sample SCBRR1 settings in synchronous mode.

Table 15.3 Examples of Bit Rates and SCBRR1 Settings in Asynchronous Mode

Bit Rate (bits/s)	P ϕ (MHz)											
	2			2.097152			2.4576			3		
	n	N	Error (%)	n	N	Error (%)	n	N	Error (%)	n	N	Error (%)
110	1	141	0.03	1	148	-0.04	1	174	-0.26	1	212	0.03
150	1	103	0.16	1	108	0.21	1	127	0.00	1	155	0.16
300	0	207	0.16	0	217	0.21	0	255	0.00	1	77	0.16
600	0	103	0.16	0	108	0.21	0	127	0.00	0	155	0.16
1200	0	51	0.16	0	54	-0.70	0	63	0.00	0	77	0.16
2400	0	25	0.16	0	26	1.14	0	31	0.00	0	38	0.16
4800	0	12	0.16	0	13	-2.48	0	15	0.00	0	19	-2.34
9600	0	6	-6.99	0	6	-2.48	0	7	0.00	0	9	-2.34
19200	0	2	8.51	0	2	13.78	0	3	0.00	0	4	-2.34
31250	0	1	0.00	0	1	4.86	0	1	22.88	0	2	0.00
38400	0	1	-18.62	0	1	-14.67	0	1	0.00			

Bit Rate (bits/s)	P ϕ (MHz)											
	3.6864			4			4.9152			5		
	n	N	Error (%)	n	N	Error (%)	n	N	Error (%)	n	N	Error (%)
110	2	64	0.70	2	70	0.03	2	86	0.31	2	88	-0.25
150	1	191	0.00	1	207	0.16	1	255	0.00	2	64	0.16
300	1	95	0.00	1	103	0.16	1	127	0.00	1	129	0.16
600	0	191	0.00	0	207	0.16	0	255	0.00	1	64	0.16
1200	0	95	0.00	0	103	0.16	0	127	0.00	0	129	0.16
2400	0	47	0.00	0	51	0.16	0	63	0.00	0	64	0.16
4800	0	23	0.00	0	25	0.16	0	31	0.00	0	32	-1.36
9600	0	11	0.00	0	12	0.16	0	15	0.00	0	15	1.73
19200	0	5	0.00	0	6	-6.99	0	7	0.00	0	7	1.73
31250	—	—	—	0	3	0.00	0	4	-1.70	0	4	0.00
38400	0	2	0.00	0	2	8.51	0	3	0.00	0	3	1.73

Legend

Blank: No setting is available.

—: A setting is available but error occurs.

Table 15.3 Examples of Bit Rates and SCBRR1 Settings in Asynchronous Mode (cont)

Bit Rate (bits/s)	P ϕ (MHz)											
	6			6.144			7.37288			8		
	n	N	Error (%)	n	N	Error (%)	n	N	Error (%)	n	N	Error (%)
110	2	106	-0.44	2	108	0.08	2	130	-0.07	2	141	0.03
150	2	77	0.16	2	79	0.00	2	95	0.00	2	103	0.16
300	1	155	0.16	1	159	0.00	1	191	0.00	1	207	0.16
600	1	77	0.16	1	79	0.00	1	95	0.00	1	103	0.16
1200	0	155	0.16	0	159	0.00	0	191	0.00	0	207	0.16
2400	0	77	0.16	0	79	0.00	0	95	0.00	0	103	0.16
4800	0	38	0.16	0	39	0.00	0	47	0.00	0	51	0.16
9600	0	19	-2.34	0	19	0.00	0	23	0.00	0	25	0.16
19200	0	9	-2.34	0	9	0.00	0	11	0.00	0	12	0.16
31250	0	5	0.00	0	5	2.40	0	6	5.33	0	7	0.00
38400	0	4	-2.34	0	4	0.00	0	5	0.00	0	6	-6.99

Bit Rate (bits/s)	P ϕ (MHz)											
	9.8304			10			12			12.288		
	n	N	Error (%)	n	N	Error (%)	n	N	Error (%)	n	N	Error (%)
110	2	174	-0.26	2	177	-0.25	2	212	0.03	2	217	0.08
150	2	127	0.00	2	129	0.16	2	155	0.16	2	159	0.00
300	1	255	0.00	2	64	0.16	2	77	0.16	2	79	0.00
600	1	127	0.00	1	129	0.16	1	155	0.16	1	159	0.00
1200	0	255	0.00	1	64	0.16	1	77	0.16	1	79	0.00
2400	0	127	0.00	0	129	0.16	0	155	0.16	0	159	0.00
4800	0	63	0.00	0	64	0.16	0	77	0.16	0	79	0.00
9600	0	31	0.00	0	32	-1.36	0	38	0.16	0	39	0.00
19200	0	15	0.00	0	15	1.73	0	19	0.16	0	19	0.00
31250	0	9	-1.70	0	9	0.00	0	11	0.00	0	11	2.40
38400	0	7	0.00	0	7	1.73	0	9	-2.34	0	9	0.00

Table 15.3 Examples of Bit Rates and SCBRR1 Settings in Asynchronous Mode (cont)

Bit Rate (bits/s)	P ϕ (MHz)											
	14.7456			16			19.6608			20		
	n	N	Error (%)	n	N	Error (%)	n	N	Error (%)	n	N	Error (%)
110	3	64	0.70	3	70	0.03	3	86	0.31	3	88	-0.25
150	2	191	0.00	2	207	0.16	2	255	0.00	3	64	0.16
300	2	95	0.00	2	103	0.16	2	127	0.00	2	129	0.16
600	1	191	0.00	1	207	0.16	1	255	0.00	2	64	0.16
1200	1	95	0.00	1	103	0.16	1	127	0.00	1	129	0.16
2400	0	191	0.00	0	207	0.16	0	255	0.00	1	64	0.16
4800	0	95	0.00	0	103	0.16	0	127	0.00	0	129	0.16
9600	0	47	0.00	0	51	0.16	0	63	0.00	0	64	0.16
19200	0	23	0.00	0	25	0.16	0	31	0.00	0	32	-1.36
31250	0	14	-1.70	0	15	0.00	0	19	-1.70	0	19	0.00
38400	0	11	0.00	0	12	0.16	0	15	0.00	0	15	1.73

Bit Rate (bits/s)	P ϕ (MHz)											
	24			24.576			28.7			30		
	n	N	Error (%)	n	N	Error (%)	n	N	Error (%)	n	N	Error (%)
110	3	106	-0.44	3	108	0.08	3	126	0.31	3	132	0.13
150	3	77	0.16	3	79	0.00	3	92	0.46	3	97	-0.35
300	2	155	0.16	2	159	0.00	2	186	-0.08	2	194	0.16
600	2	77	0.16	2	79	0.00	2	92	0.46	2	97	-0.35
1200	1	155	0.16	1	159	0.00	1	186	-0.08	1	194	0.16
2400	1	77	0.16	1	79	0.00	1	92	0.46	1	97	-0.35
4800	0	155	0.16	0	159	0.00	0	186	-0.08	0	194	-1.36
9600	0	77	0.16	0	79	0.00	0	92	0.46	0	97	-0.35
19200	0	38	0.16	0	39	0.00	0	46	-0.61	0	48	-0.35
31250	0	23	0.00	0	24	-1.70	0	28	-1.03	0	29	0.00
38400	0	19	-2.34	0	19	0.00	0	22	1.55	0	23	1.73

Table 15.4 Examples of Bit Rates and SCBRR1 Settings in Synchronous Mode

Bit Rate (bits/s)	P ϕ (MHz)									
	4		8		16		28.7		30	
	n	N	n	N	n	N	n	N	n	N
10	—	—	—	—	—	—	—	—	—	—
250	2	249	3	124	3	249	—	—	—	—
500	2	124	2	249	3	124	3	223	3	233
1k	1	249	2	124	2	249	3	111	3	116
2.5k	1	99	1	199	2	99	2	178	2	187
5k	0	199	1	99	1	199	2	89	2	93
10k	0	99	0	199	1	99	1	178	1	187
25k	0	39	0	79	0	159	1	71	1	74
50k	0	19	0	39	0	79	0	143	0	149
100k	0	9	0	19	0	39	0	71	0	74
250k	0	3	0	7	0	15	—	—	0	29
500k	0	1	0	3	0	7	—	—	0	14
1M	0	0*	0	1	0	3	—	—	—	—
2M			0	0*	0	1	—	—	—	—

Note: As far as possible, the setting should be made so that the error is within 1%.

Legend

Blank: No setting is available.

—: A setting is available but error occurs.

* Continuous transmission/reception is not possible.

Table 15.5 shows the maximum bit rate for various frequencies in asynchronous mode. Tables 15.6 and 15.7 show the maximum bit rates with external clock input.

Table 15.5 Maximum Bit Rate for Various Frequencies with Baud Rate Generator (Asynchronous Mode)

P ϕ (MHz)	Maximum Bit Rate (bits/s)	Settings	
		n	N
2	62500	0	0
2.097152	65536	0	0
2.4576	76800	0	0
3	93750	0	0
3.6864	115200	0	0
4	125000	0	0
4.9152	153600	0	0
8	250000	0	0
9.8304	307200	0	0
12	375000	0	0
14.7456	460800	0	0
16	500000	0	0
19.6608	614400	0	0
20	625000	0	0
24	750000	0	0
24.576	768000	0	0
28.7	896875	0	0
30	937500	0	0

Table 15.6 Maximum Bit Rate with External Clock Input (Asynchronous Mode)

Pϕ (MHz)	External Input Clock (MHz)	Maximum Bit Rate (bits/s)
2	0.5000	31250
2.097152	0.5243	32768
2.4576	0.6144	38400
3	0.7500	46875
3.6864	0.9216	57600
4	1.0000	62500
4.9152	1.2288	76800
8	2.0000	125000
9.8304	2.4576	153600
12	3.0000	187500
14.7456	3.6864	230400
16	4.0000	250000
19.6608	4.9152	307200
20	5.0000	312500
24	6.0000	375000
24.576	6.1440	384000
28.7	7.1750	448436
30	7.5000	468750

Table 15.7 Maximum Bit Rate with External Clock Input (Synchronous Mode)

Pϕ (MHz)	External Input Clock (MHz)	Maximum Bit Rate (bits/s)
8	1.3333	1333333.3
16	2.6667	2666666.7
24	4.0000	4000000.0
28.7	4.7833	4783333.3
30	5.0000	5000000.0

15.3 Operation

15.3.1 Overview

The SCI can carry out serial communication in two modes: asynchronous mode in which synchronization is achieved character by character, and synchronous mode in which synchronization is achieved with clock pulses.

Selection of asynchronous or synchronous mode and the transmission format is made using SCSMR1 as shown in table 15.8. The SCI clock source is determined by a combination of the C/\bar{A} bit in SCSMR1 and the CKE1 and CKE0 bits in SCSCR1, as shown in table 15.9.

- Asynchronous mode
 - Data length: Choice of 7 or 8 bits
 - Choice of parity addition, multiprocessor bit addition, and addition of 1 or 2 stop bits (the combination of these parameters determines the transfer format and character length)
 - Detection of framing, parity, and overrun errors, and breaks, during reception
 - Choice of internal or external clock as SCI clock source
 - When internal clock is selected: The SCI operates on the baud rate generator clock and a clock with the same frequency as the bit rate can be output.
 - When external clock is selected: A clock with a frequency of 16 times the bit rate must be input (the on-chip baud rate generator is not used).
- Synchronous mode
 - Transfer format: Fixed 8-bit data
 - Detection of overrun errors during reception
 - Choice of internal or external clock as SCI clock source
 - When internal clock is selected: The SCI operates on the baud rate generator clock and a serial clock is output off-chip.
 - When external clock is selected: The on-chip baud rate generator is not used, and the SCI operates on the input serial clock.

Table 15.8 SCSMR1 Settings for Serial Transfer Format Selection

SCSMR1 Settings						SCI Transfer Format				
Bit 7: C/ \bar{A}	Bit 6: CHR	Bit 2: MP	Bit 5: PE	Bit 3: STOP	Mode	Data Length	Multi-processor Bit	Parity Bit	Stop Bit Length	
0	0	0	0	0	Asynchronous mode	8-bit data	No	No	1 bit	
				1					2 bits	
				0					1 bit	
				1					2 bits	
	1	0	0	0	0	(multiprocessor format)	7-bit data	No	No	1 bit
					1					2 bits
					0					1 bit
					1					2 bits
0	1	*	*	0	Asynchronous mode	8-bit data	Yes	No	1 bit	
				1					2 bits	
				0					1 bit	
				1					2 bits	
1	*	*	*	*	Synchronous mode	8-bit data	No	No	None	

Note: An asterisk in the table means “Don’t care.”

Table 15.9 SCSMR1 and SCSCR1 Settings for SCI Clock Source Selection

SCSMR1	SCSCR1 Setting			SCI Transmit/Receive Clock	
Bit 7: C/ \bar{A}	Bit 1: CKE1	Bit 0: CKE0	Mode	Clock Source	SCK Pin Function
0	0	0	Asynchronous mode	Internal	SCI does not use SCK pin Outputs clock with same frequency as bit rate
		1			
	1	0	Synchronous mode	External	Inputs clock with frequency of 16 times the bit rate
		1			
1	0	0	Synchronous mode	Internal	Outputs serial clock
		1			
	1	0	Synchronous mode	External	Inputs serial clock
		1			

15.3.2 Operation in Asynchronous Mode

In asynchronous mode, characters are sent or received, each preceded by a start bit indicating the start of communication and followed by one or two stop bits indicating the end of communication. Serial communication is thus carried out with synchronization established on a character-by-character basis.

Inside the SCI, the transmitter and receiver are independent units, enabling full-duplex communication. Both the transmitter and the receiver also have a double-buffered structure, so that data can be read or written during transmission or reception, enabling continuous data transfer.

Figure 15.5 shows the general format for asynchronous serial communication.

In asynchronous serial communication, the transmission line is usually held in the mark state (high level). The SCI monitors the transmission line, and when it goes to the space state (low level), recognizes a start bit and starts serial communication.

One serial communication character consists of a start bit (low level), followed by data (in LSB-first order), a parity bit (high or low level), and finally one or two stop bits (high level).

In asynchronous mode, the SCI performs synchronization at the falling edge of the start bit in reception. The SCI samples the data on the eighth pulse of a clock with a frequency of 16 times the length of one bit, so that the transfer data is latched at the center of each bit.

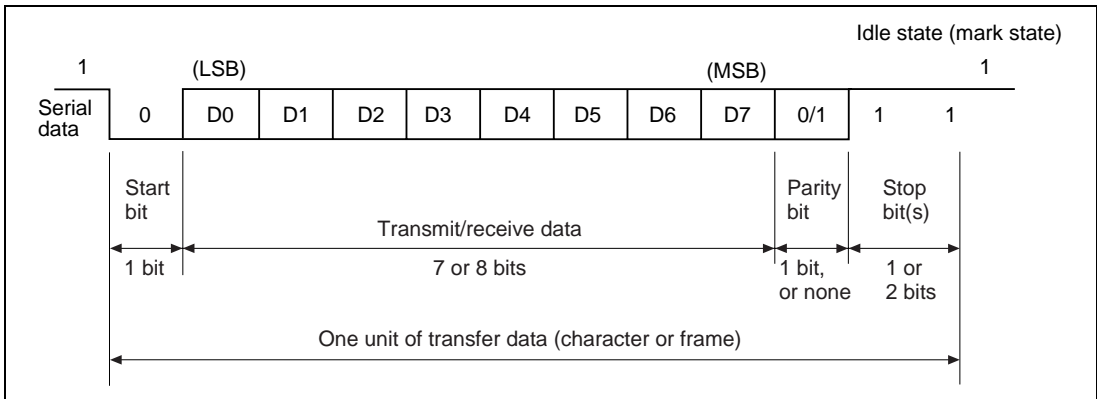


Figure 15.5 Data Format in Asynchronous Communication (Example with 8-Bit Data, Parity, Two Stop Bits)

Data Transfer Format

Table 15.10 shows the data transfer formats that can be used in asynchronous mode. Any of 12 transfer formats can be selected according to the SCSMR1 setting.

Table 15.10 Serial Transfer Formats (Asynchronous Mode)

SCSMR1 Settings				Serial Transfer Format and Frame Length												
CHR	PE	MP	STOP	1	2	3	4	5	6	7	8	9	10	11	12	
0	0	0	0	S	8-bit data								STOP			
0	0	0	1	S	8-bit data								STOP	STOP		
0	1	0	0	S	8-bit data								P	STOP		
0	1	0	1	S	8-bit data								P	STOP	STOP	
1	0	0	0	S	7-bit data							STOP				
1	0	0	1	S	7-bit data							STOP	STOP			
1	1	0	0	S	7-bit data							P	STOP			
1	1	0	1	S	7-bit data							P	STOP	STOP		
0	*	1	0	S	8-bit data								MPB	STOP		
0	*	1	1	S	8-bit data								MPB	STOP	STOP	
1	*	1	0	S	7-bit data							MPB	STOP			
1	*	1	1	S	7-bit data							MPB	STOP	STOP		

S: Start bit

STOP: Stop bit

P: Parity bit

MPB: Multiprocessor bit

Note: An asterisk in the table means "Don't care."

Clock

Either an internal clock generated by the on-chip baud rate generator or an external clock input at the SCK pin can be selected as the SCI's serial clock, according to the setting of the C/\bar{A} bit in SCSMR1 and the CKE1 and CKE0 bits in SCSCR1. For details of SCI clock source selection, see table 15.9.

When an external clock is input at the SCK pin, the clock frequency should be 16 times the bit rate used.

When the SCI is operated on an internal clock, the clock can be output from the SCK pin. The frequency of the clock output in this case is equal to the bit rate, and the phase is such that the rising edge of the clock is at the center of each transmit data bit, as shown in figure 15.6.

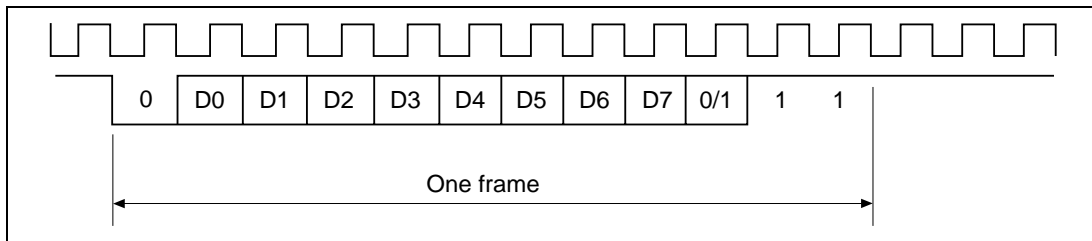


Figure 15.6 Relation between Output Clock and Transfer Data Phase (Asynchronous Mode)

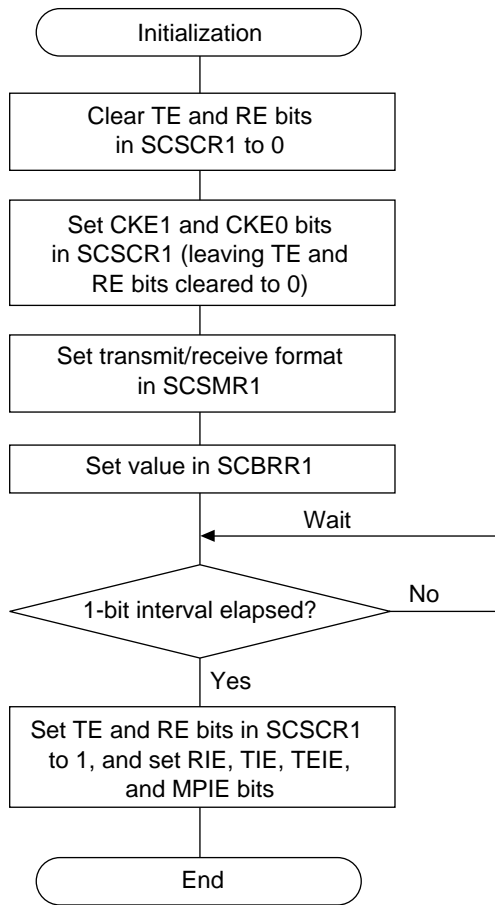
Data Transfer Operations

SCI Initialization (Asynchronous Mode): Before transmitting and receiving data, it is necessary to clear the TE and RE bits in SCSCR1 to 0, then initialize the SCI as described below.

When the operating mode, transfer format, etc., is changed, the TE and RE bits must be cleared to 0 before making the change using the following procedure. When the TE bit is cleared to 0, the TDRE flag is set to 1 and SCTSR1 is initialized. Note that clearing the RE bit to 0 does not change the contents of the RDRF, PER, FER, and ORER flags, or the contents of SCRDR1.

When an external clock is used the clock should not be stopped during operation, including initialization, since operation will be unreliable in this case.

Figure 15.7 shows a sample SCI initialization flowchart.

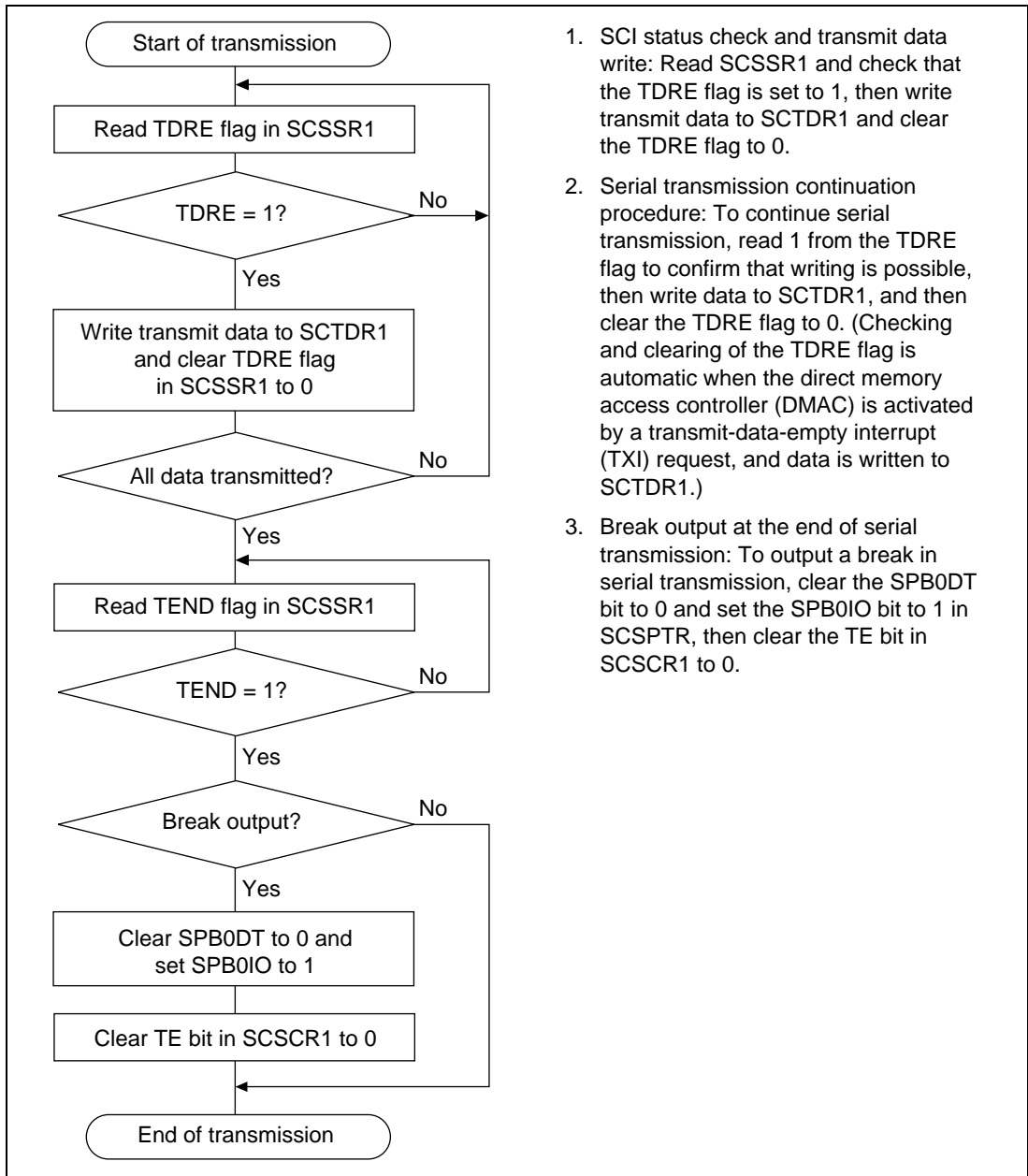


1. Set the clock selection in SCSCR1.
Be sure to clear bits RIE, TIE, TEIE, and MPIE, and bits TE and RE, to 0.
When clock output is selected in asynchronous mode, it is output immediately after SCSCR1 settings are made.
2. Set the transmit/receive format in SCSMR1.
3. Write a value corresponding to the bit rate into SCBRR1. (Not necessary if an external clock is used.)
4. Wait at least one bit interval, then set the TE bit or RE bit in SCSCR1 to 1. Also set the RIE, TIE, TEIE, and MPIE bits.
Setting the TE and RE bits enables the TxD and RxD pins to be used. When transmitting, the SCI will go to the mark state; when receiving, it will go to the idle state, waiting for a start bit.

Figure 15.7 Sample SCI Initialization Flowchart

Serial Data Transmission (Asynchronous Mode): Figure 15.8 shows a sample flowchart for serial transmission.

Use the following procedure for serial data transmission after enabling the SCI for transmission.



1. SCI status check and transmit data write: Read SCSSR1 and check that the TDRE flag is set to 1, then write transmit data to SCTDR1 and clear the TDRE flag to 0.
2. Serial transmission continuation procedure: To continue serial transmission, read 1 from the TDRE flag to confirm that writing is possible, then write data to SCTDR1, and then clear the TDRE flag to 0. (Checking and clearing of the TDRE flag is automatic when the direct memory access controller (DMAC) is activated by a transmit-data-empty interrupt (TXI) request, and data is written to SCTDR1.)
3. Break output at the end of serial transmission: To output a break in serial transmission, clear the SPB0DT bit to 0 and set the SPB0IO bit to 1 in SCSPTR, then clear the TE bit in SCSCR1 to 0.

Figure 15.8 Sample Serial Transmission Flowchart

In serial transmission, the SCI operates as described below.

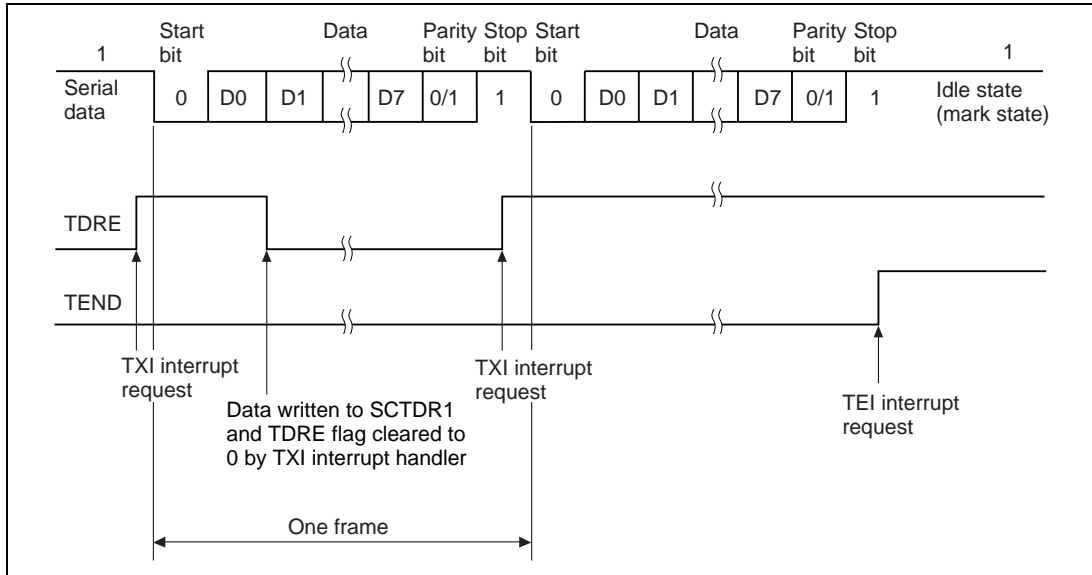
1. The SCI monitors the TDRE flag in SCSSR1. When TDRE is cleared to 0, the SCI recognizes that data has been written to SCTDR1, and transfers the data from SCTDR1 to SCTSR1.
2. After transferring data from SCTDR1 to SCTSR1, the SCI sets the TDRE flag to 1 and starts transmission. If the TIE bit is set to 1 at this time, a transmit-data-empty interrupt (TXI) is generated.

The serial transmit data is sent from the TxD pin in the following order.

- a. Start bit: One 0-bit is output.
 - b. Transmit data: 8-bit or 7-bit data is output in LSB-first order.
 - c. Parity bit or multiprocessor bit: One parity bit (even or odd parity), or one multiprocessor bit is output. (A format in which neither a parity bit nor a multiprocessor bit is output can also be selected.)
 - d. Stop bit(s): One or two 1-bits (stop bits) are output.
 - e. Mark state: 1 is output continuously until the start bit that starts the next transmission is sent.
3. The SCI checks the TDRE flag at the timing for sending the stop bit. If the TDRE flag is cleared to 0, data is transferred from SCTDR1 to SCTSR1, the stop bit is sent, and then serial transmission of the next frame is started.

If the TDRE flag is set to 1, the TEND flag in SCSSR1 is set to 1, the stop bit is sent, and then the line goes to the mark state in which 1 is output continuously. If the TEIE bit in SCSCR1 is set to 1 at this time, a TEI interrupt request is generated.

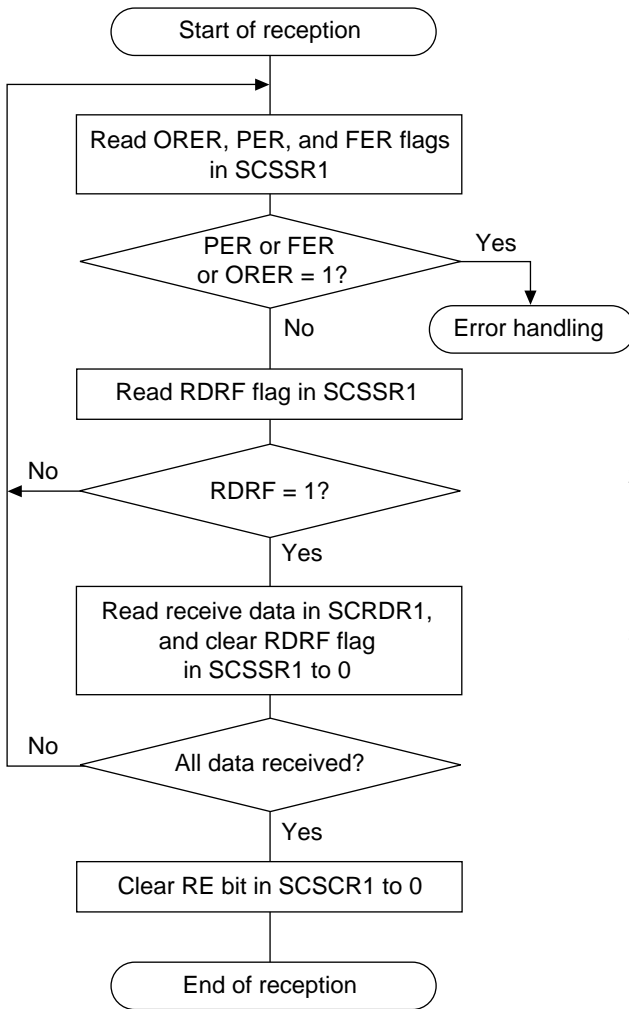
Figure 15.9 shows an example of the operation for transmission in asynchronous mode.



**Figure 15.9 Example of Transmit Operation in Asynchronous Mode
(Example with 8-Bit Data, Parity, One Stop Bit)**

Serial Data Reception (Asynchronous Mode): Figure 15.10 shows a sample flowchart for serial reception.

Use the following procedure for serial data reception after enabling the SCI for reception.



1. Receive error handling and break detection: If a receive error occurs, read the ORER, PER, and FER flags in SCSSR1 to identify the error. After performing the appropriate error handling, ensure that the ORER, PER, and FER flags are all cleared to 0. Reception cannot be resumed if any of these flags are set to 1. In the case of a framing error, a break can be detected by reading the value of the RxD pin.
2. SCI status check and receive data read : Read SCSSR1 and check that RDRF = 1, then read the receive data in SCRDR1 and clear the RDRF flag to 0.
3. Serial reception continuation procedure: To continue serial reception, complete zero-clearing of the RDRF flag before the stop bit for the current frame is received. (The RDRF flag is cleared automatically when the direct memory access controller (DMAC) is activated by an RXI interrupt and the SCRDR1 value is read.)

Figure 15.10 Sample Serial Reception Flowchart (1)

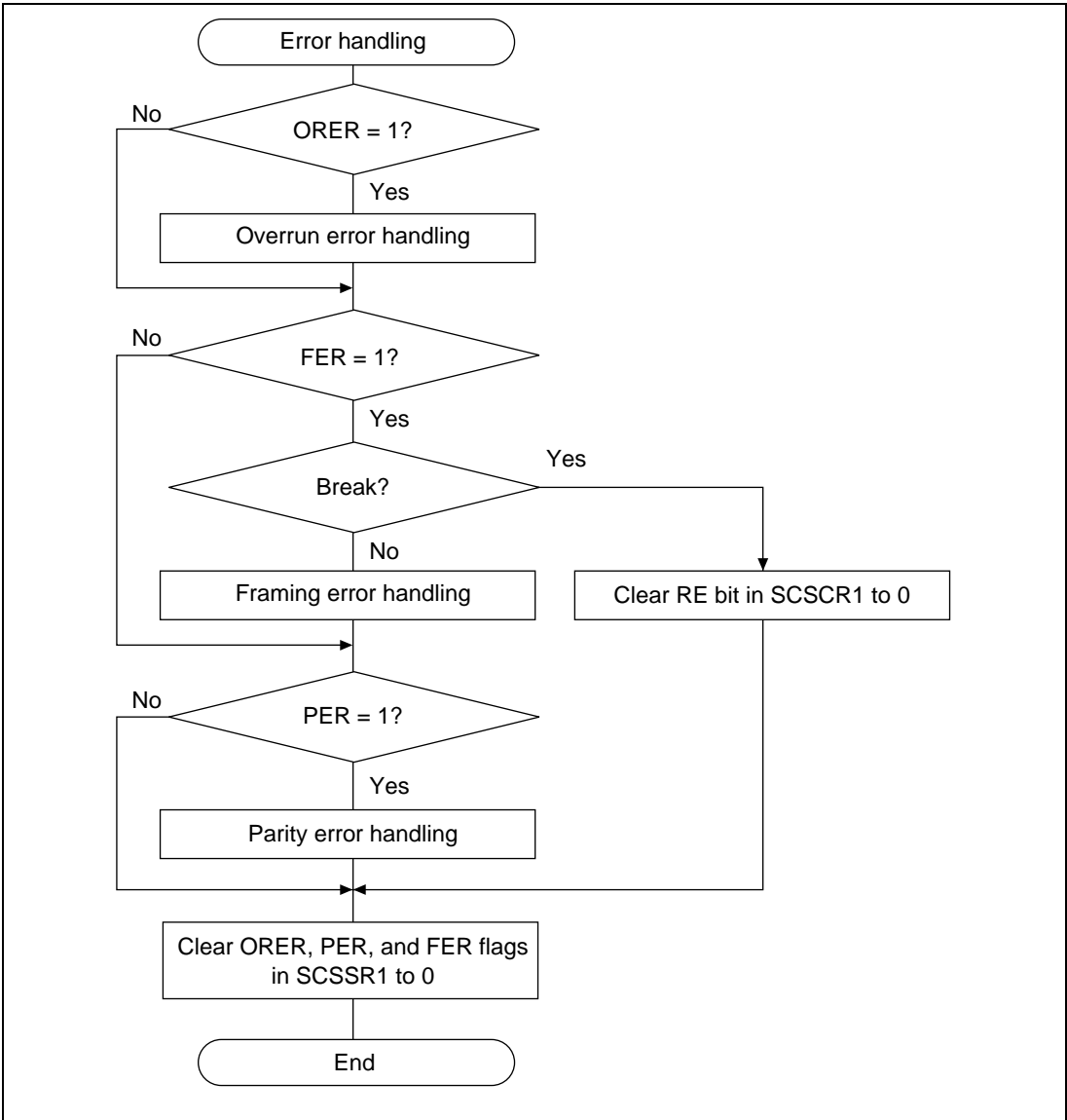


Figure 15.10 Sample Serial Reception Flowchart (2)

In serial reception, the SCI operates as described below.

1. The SCI monitors the transmission line, and if a 0 start bit is detected, performs internal synchronization and starts reception.
2. The received data is stored in SCRSR1 in LSB-to-MSB order.
3. The parity bit and stop bit are received.

After receiving these bits, the SCI carries out the following checks.

- a. Parity check: The SCI checks whether the number of 1-bits in the receive data agrees with the parity (even or odd) set in the O/ \bar{E} bit in SCSMR1.
- b. Stop bit check: The SCI checks whether the stop bit is 1. If there are two stop bits, only the first is checked.
- c. Status check: The SCI checks whether the RDRF flag is 0, indicating that the receive data can be transferred from SCRSR1 to SCRDR1.

If all the above checks are passed, the RDRF flag is set to 1, and the receive data is stored in SCRDR1.

If a receive error is detected in the error check, the operation is as shown in table 15.11.

Note: No further receive operations can be performed when a receive error has occurred. Also note that the RDRF flag is not set to 1 in reception, and so the error flags must be cleared to 0.

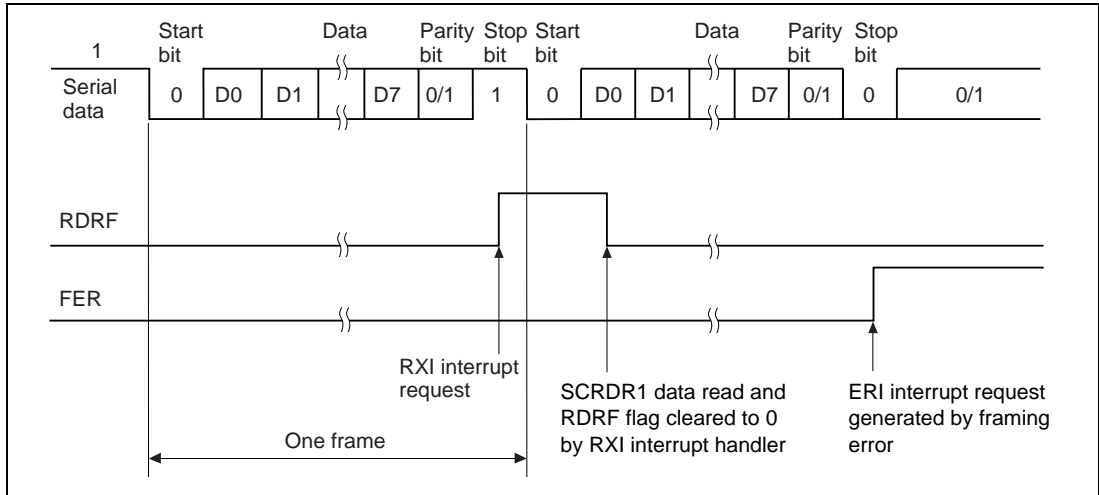
4. If the EIO bit in SCSPTR1 is cleared to 0 and the RIE bit in SCSCR1 is set to 1 when the RDRF flag changes to 1, a receive-data-full interrupt (RXI) request is generated.

If the RIE bit in SCSCR1 is set to 1 when the ORER, PER, or FER flag changes to 1, a receive-error interrupt (ERI) request is generated. A receive-data-full request is always output to the DMAC when the RDRF flag changes to 1.

Table 15.11 Receive Error Conditions

Receive Error	Abbreviation	Condition	Data Transfer
Overrun error	ORER	Reception of next data is completed while RDRF flag in SCSSR1 is set to 1	Receive data is not transferred from SCRSR1 to SCRDR1
Framing error	FER	Stop bit is 0	Receive data is transferred from SCRSR1 to SCRDR1
Parity error	PER	Received data parity differs from that (even or odd) set in SCSMR1	Receive data is transferred from SCRSR1 to SCRDR1

Figure 15.11 shows an example of the operation for reception in asynchronous mode.



**Figure 15.11 Example of SCI Receive Operation
(Example with 8-Bit Data, Parity, One Stop Bit)**

15.3.3 Multiprocessor Communication Function

The multiprocessor communication function performs serial communication using a multiprocessor format, in which a multiprocessor bit is added to the transfer data, in asynchronous mode. Use of this function enables data transfer to be performed among a number of processors sharing a serial transmission line.

When multiprocessor communication is carried out, each receiving station is addressed by a unique ID code.

The serial communication cycle consists of two cycles: an ID transmission cycle which specifies the receiving station, and a data transmission cycle. The multiprocessor bit is used to differentiate between the ID transmission cycle and the data transmission cycle.

The transmitting station first sends the ID of the receiving station with which it wants to perform serial communication as data with a 1 multiprocessor bit added. It then sends transmit data as data with a 0 multiprocessor bit added.

The receiving station skips the data until data with a 1 multiprocessor bit is sent*.

When data with a 1 multiprocessor bit is received, the receiving station compares that data with its own ID. The station whose ID matches then receives the data sent next. Stations whose ID does not match continue to skip the data until data with a 1 multiprocessor bit is again received*. In this way, data communication is carried out among a number of processors.

Figure 15.12 shows an example of inter-processor communication using a multiprocessor format.

Note: * With this LSI, the RDRF flag in SCSSR1 is also set to 1 when data with a 0 multiprocessor bit transmitted to another station is received. When the RDRF flag in SCSSR1 is set to 1, check the state of the MPIE bit in SCSCR1 with the exception handling routine, and if the MPIE bit is 1, skip the data. That is to say, data skipping is implemented in cooperation with the exception handling routine.

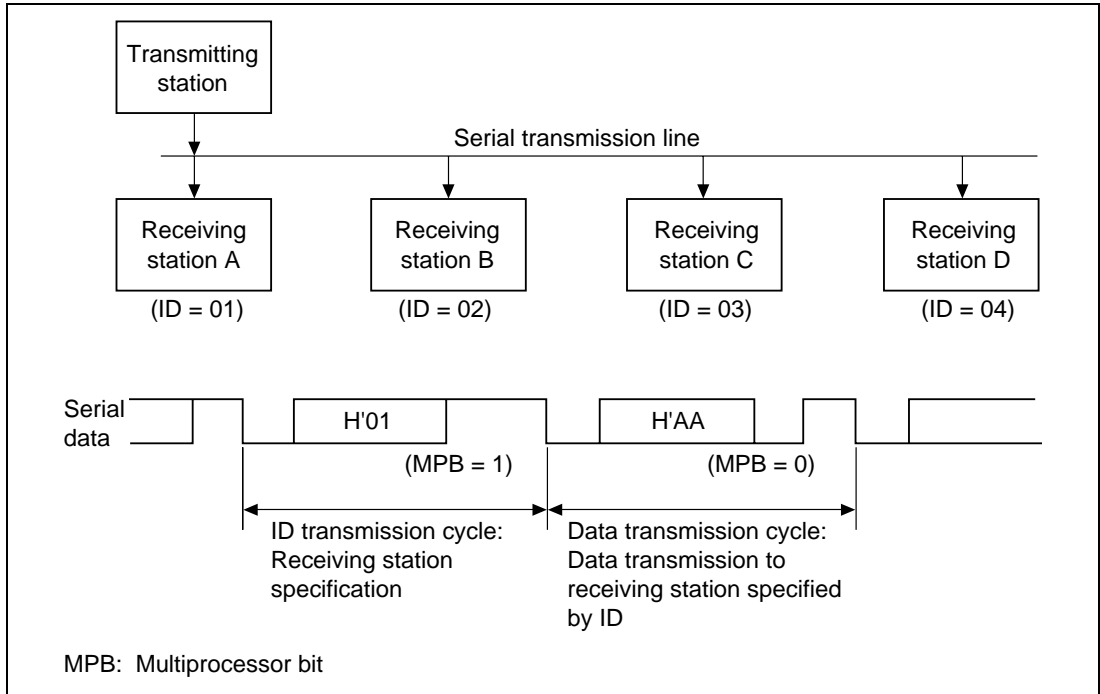


Figure 15.12 Example of Inter-Processor Communication Using Multiprocessor Format (Transmission of Data H'AA to Receiving Station A)

Data Transfer Formats

There are four data transfer formats. When the multiprocessor format is specified, the parity bit specification is invalid. For details, see table 15.10.

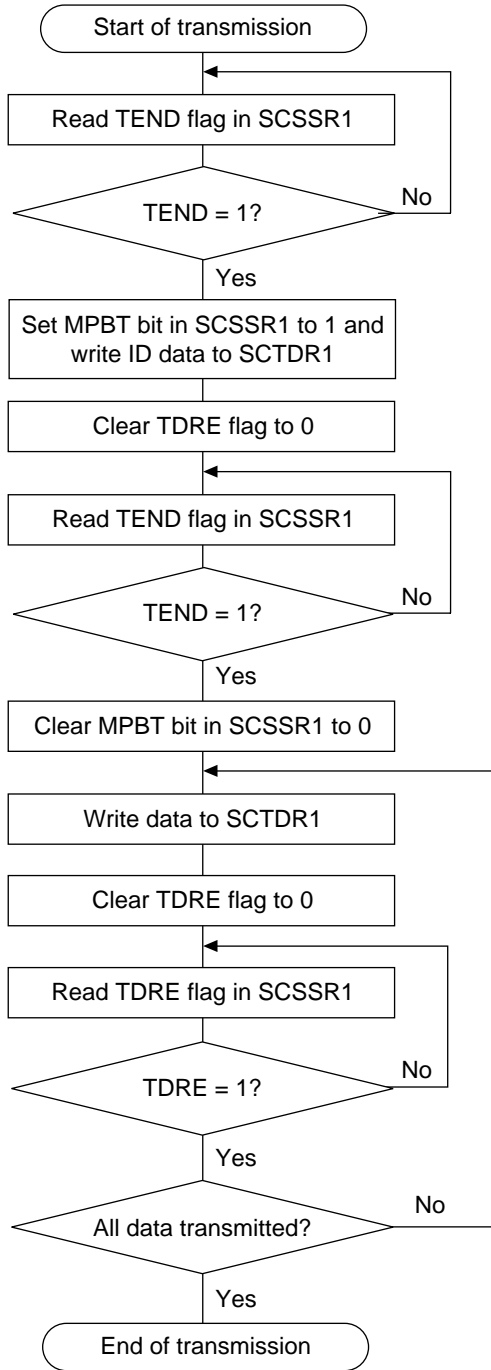
Clock

See the description under Clock in section 15.3.2.

Data Transfer Operations

Multiprocessor Serial Data Transmission: Figure 15.13 shows a sample flowchart for multiprocessor serial data transmission.

Use the following procedure for multiprocessor serial data transmission after enabling the SCI for transmission.



1. SCI status check and ID data write: Read SCSSR1 and check that the TEND flag is set to 1, then set the MPBT bit in SCSSR1 to 1 and write ID data to SCTDR1. Finally, clear the TDRE flag to 0.
2. Preparation for data transfer: Read SCSSR1 and check that the TEND flag is set to 1, then set the MPBT bit in SCSSR1 to 1.
3. Serial data transmission: Write the first transmit data to SCTDR1, then clear the TDRE flag to 0.

To continue data transmission, be sure to read 1 from the TDRE flag to confirm that writing is possible, then write data to SCTDR1, and then clear the TDRE flag to 0. (Checking and clearing of the TDRE flag is automatic when the direct memory access controller (DMAC) is activated by a transmit-data-empty interrupt (TXI) request, and data is written to SCTDR1.)

Figure 15.13 Sample Multiprocessor Serial Transmission Flowchart

In serial transmission, the SCI operates as described below.

1. The SCI monitors the TDRE flag in SCSSR1. When TDRE is cleared to 0, the SCI recognizes that data has been written to SCTDR1, and transfers the data from SCTDR1 to SCTSR1.
2. After transferring data from SCTDR1 to SCTSR1, the SCI sets the TDRE flag to 1 and starts transmission.

The serial transmit data is sent from the TxD pin in the following order.

- a. Start bit: One 0-bit is output.
 - b. Transmit data: 8-bit or 7-bit data is output in LSB-first order.
 - c. Multiprocessor bit: One multiprocessor bit (MPBT value) is output.
 - d. Stop bit(s): One or two 1-bits (stop bits) are output.
 - e. Mark state: 1 is output continuously until the start bit that starts the next transmission is sent.
3. The SCI checks the TDRE flag at the timing for sending the stop bit. If the TDRE flag is set to 1, the TEND flag in SCSSR1 is set to 1, the stop bit is sent, and then the line goes to the mark state in which 1 is output. If the TEIE bit in SCSCR1 is set to 1 at this time, a transmit-end interrupt (TEI) request is generated.
 4. The SCI monitors the TDRE flag. When TDRE is cleared to 0, the SCI recognizes that data has been written to SCTDR1, and transfers the data from SCTDR1 to SCTSR1.
 5. After transferring data from SCTDR1 to SCTSR1, the SCI sets the TDRE flag to 1 and starts transmitting. If the transmit-data-empty interrupt enable bit (TIE bit) in SCSCR1 is set to 1 at this time, a transmit-data-empty interrupt (TXI) request is generated.

The order of transmission is the same as in step 2.

Figure 15.14 shows an example of SCI operation for transmission using a multiprocessor format.

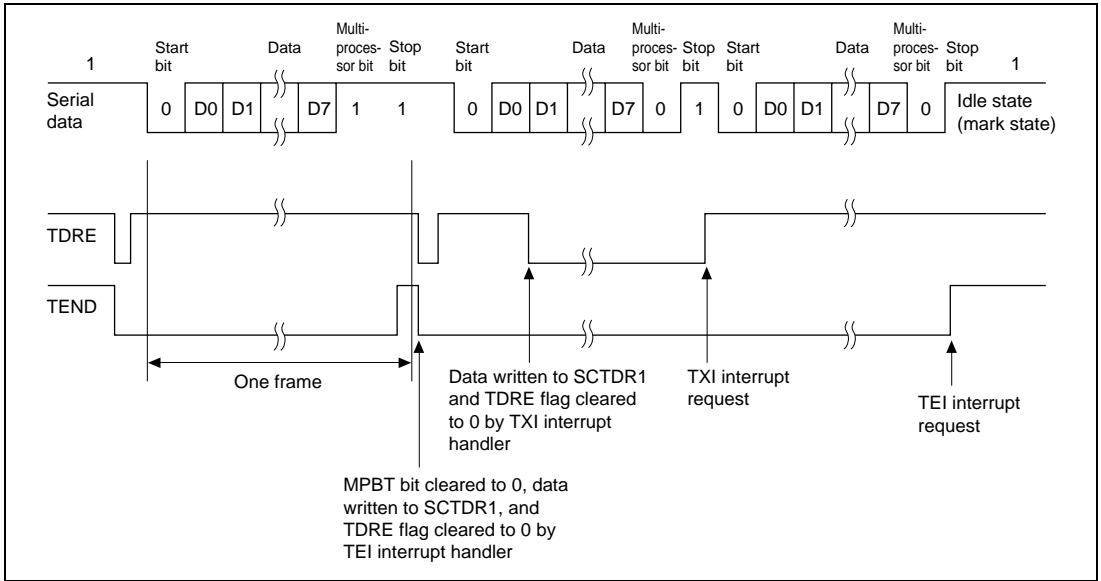
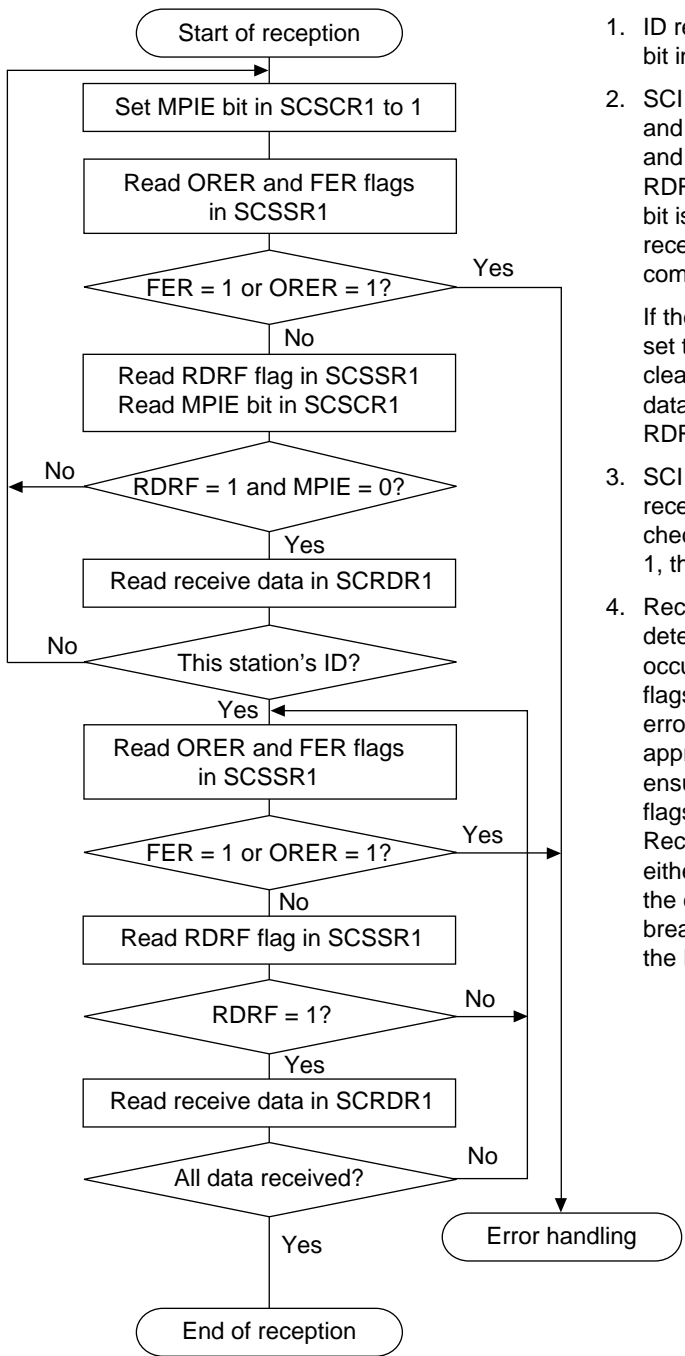


Figure 15.14 Example of SCI Transmit Operation (Example with 8-Bit Data, Multiprocessor Bit, One Stop Bit)

Multiprocessor Serial Data Reception: Figure 15.15 shows a sample flowchart for multiprocessor serial reception.

Use the following procedure for multiprocessor serial data reception after enabling the SCI for reception.



1. ID reception cycle: Set the MPIE bit in SCSCR1 to 1.
2. SCI status check, ID reception and comparison: Read SCSSR1 and SCSCR1, and check that the RDRF flag is set to 1 and MPIE bit is set to 0, then read the receive data in SCRDR1 and compare it with this station's ID.

If the data is not this station's ID, set the MPIE bit to 1 again, and clear the RDRF flag to 0. If the data is this station's ID, clear the RDRF flag to 0.

3. SCI status check and data reception: Read SCSSR1 and check that the RDRF flag is set to 1, then read the data in SCRDR1.
4. Receive error handling and break detection: If a receive error occurs, read the ORER and FER flags in SCSSR1 to identify the error. After performing the appropriate error handling, ensure that the ORER and FER flags are all cleared to 0. Reception cannot be resumed if either of these flags is set to 1. In the case of a framing error, a break can be detected by reading the Rx pin value.

Figure 15.15 Sample Multiprocessor Serial Reception Flowchart (1)

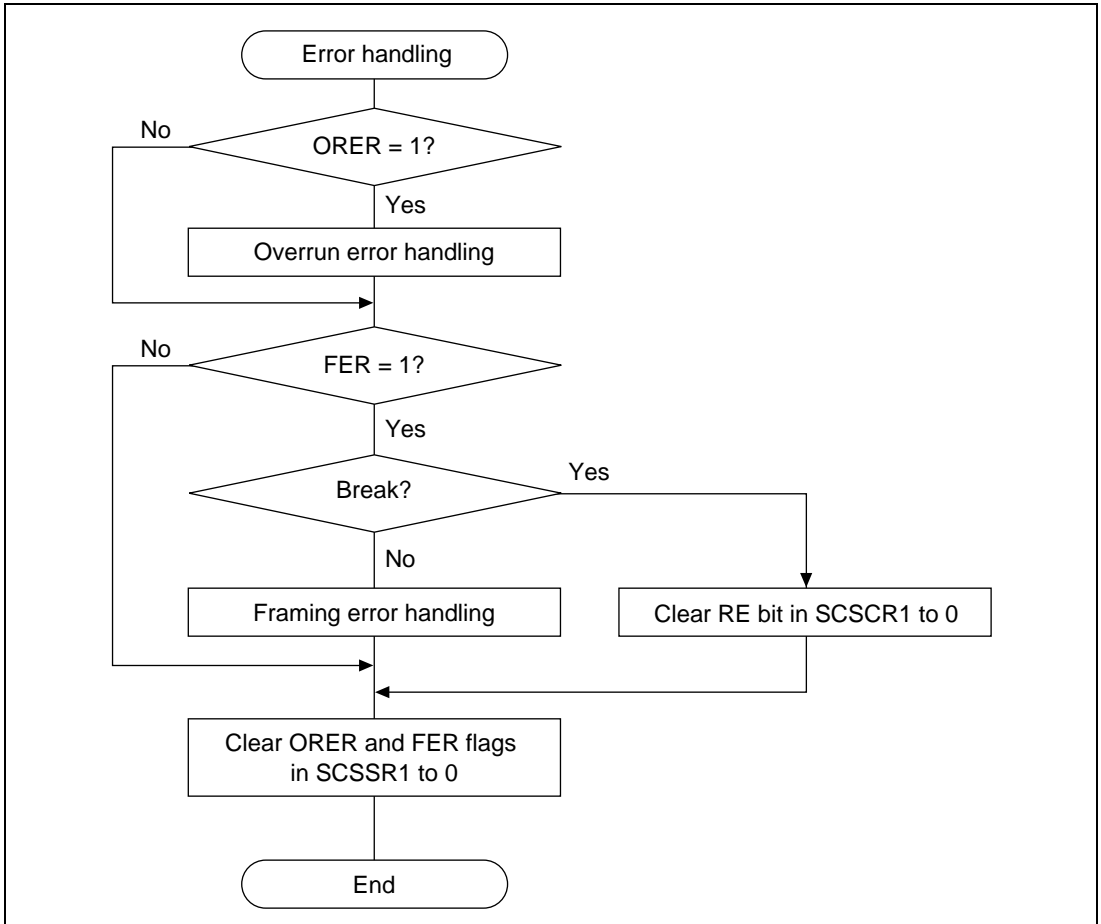


Figure 15.15 Sample Multiprocessor Serial Reception Flowchart (2)

Figure 15.16 shows an example of SCI operation for multiprocessor format reception.

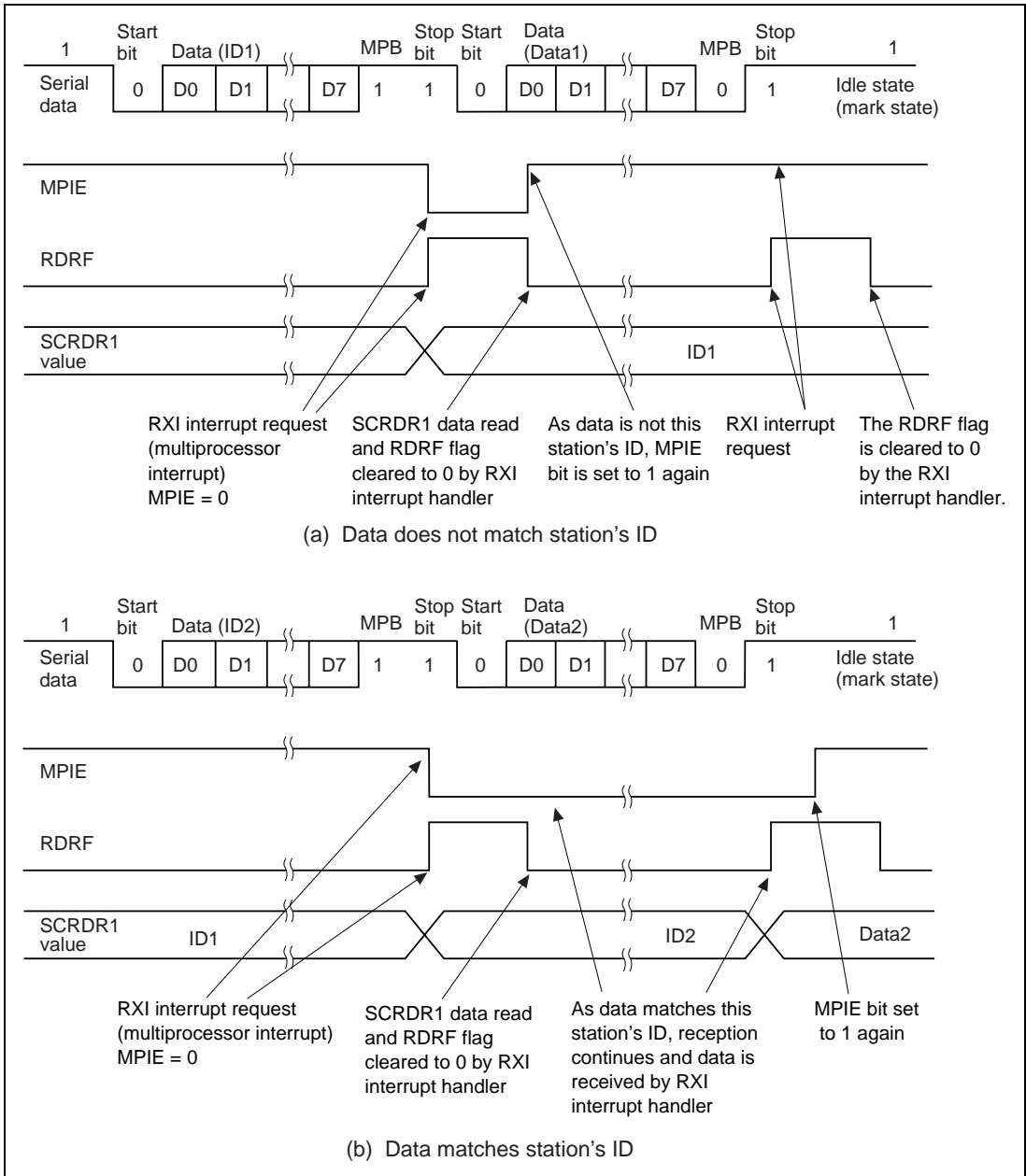


Figure 15.16 Example of SCI Receive Operation (Example with 8-Bit Data, Multiprocessor Bit, One Stop Bit)

In multiprocessor mode serial reception, the SCI operates as described below.

1. The SCI monitors the transmission line, and if a 0 start bit is detected, performs internal synchronization and starts reception.
2. The received data is stored in SCRSR1 in LSB-to-MSB order.
3. If the MPIE bit is 1, MPIE is cleared to 0 when a 1 is received in the multiprocessor bit position. If the multiprocessor bit is 0, the MPIE bit is not changed.
4. If the MPIE bit is 0, RDRF is checked at the stop bit position, and if RDRF is 1 the overrun error bit is set. If the stop bit is not 0, the framing error bit is set. If RDRF is 0, the value in SCRSR1 is transferred to SCRDR1, and if the stop bit is 0, RDRF is set to 1.

15.3.4 Operation in Synchronous Mode

In synchronous mode, data is transmitted or received in synchronization with clock pulses, making it suitable for high-speed serial communication.

Inside the SCI, the transmitter and receiver are independent units, enabling full-duplex communication. Both the transmitter and the receiver also have a double-buffered structure, so that data can be read or written during transmission or reception, enabling continuous data transfer.

Figure 15.17 shows the general format for synchronous serial communication.

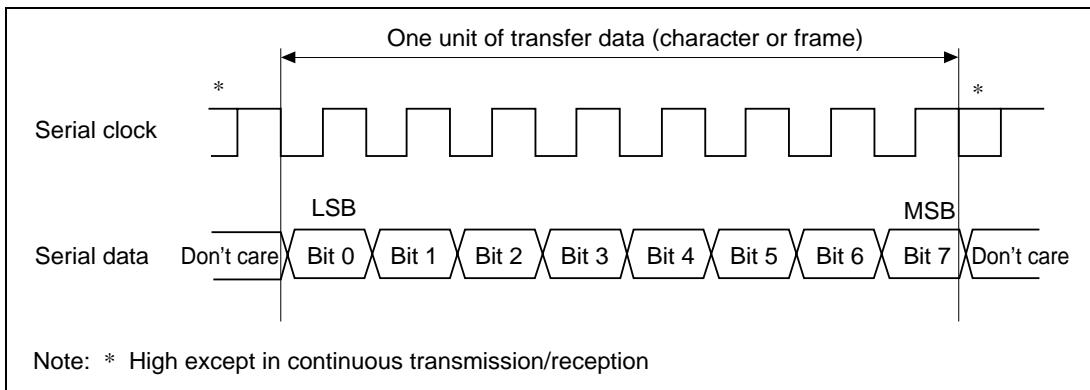


Figure 15.17 Data Format in Synchronous Communication

In synchronous serial communication, data on the transmission line is output from one falling edge of the serial clock to the next. Data confirmation is guaranteed at the rising edge of the serial clock.

In serial communication, one character consists of data output starting with the LSB and ending with the MSB. After the MSB is output, the transmission line holds the MSB state.

In synchronous mode, the SCI receives data in synchronization with the falling edge of the serial clock.

Data Transfer Format

A fixed 8-bit data format is used. No parity or multiprocessor bits are added.

Clock

Either an internal clock generated by the on-chip baud rate generator or an external serial clock input at the SCK pin can be selected, according to the setting of the C/\bar{A} bit in SCSMR1 and the CKE1 and CKE0 bits in SCSCR1. For details of SCI clock source selection, see table 15.9.

When the SCI is operated on an internal clock, the serial clock is output from the SCK pin.

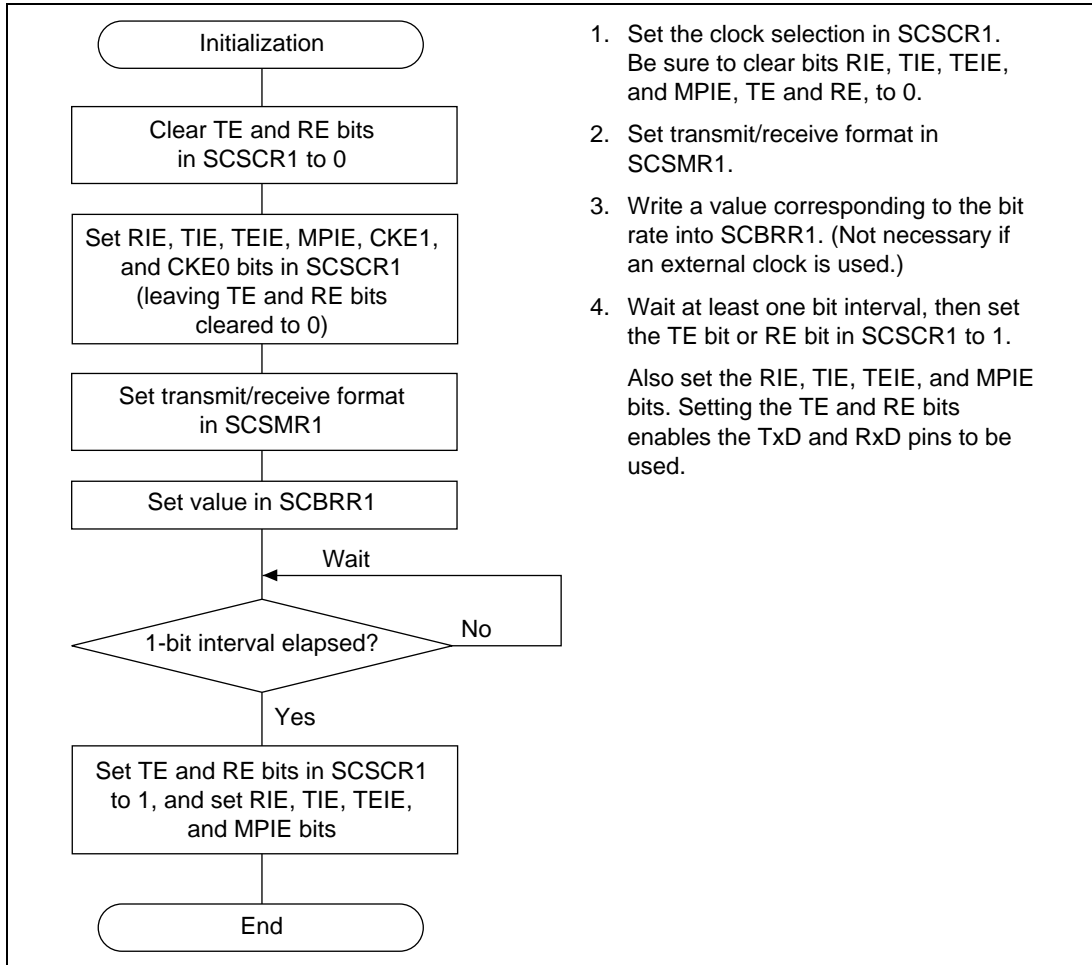
Eight serial clock pulses are output in the transfer of one character, and when no transfer is performed the clock is fixed high. In reception only, if an on-chip clock source is selected, clock pulses are output while RE = 1. When the last data is received, RE should be cleared to 0 before the end of bit 7.

Data Transfer Operations

SCI Initialization (Synchronous Mode): Before transmitting and receiving data, it is necessary to clear the TE and RE bits in SCSCR1 to 0, then initialize the SCI as described below.

When the operating mode, transfer format, etc., is changed, the TE and RE bits must be cleared to 0 before making the change using the following procedure. When the TE bit is cleared to 0, the TDRE flag is set to 1 and SCTSR1 is initialized. Note that clearing the RE bit to 0 does not change the contents of the RDRF, PER, FER, and ORER flags, or the contents of SCRDR1.

Figure 15.18 shows a sample SCI initialization flowchart.

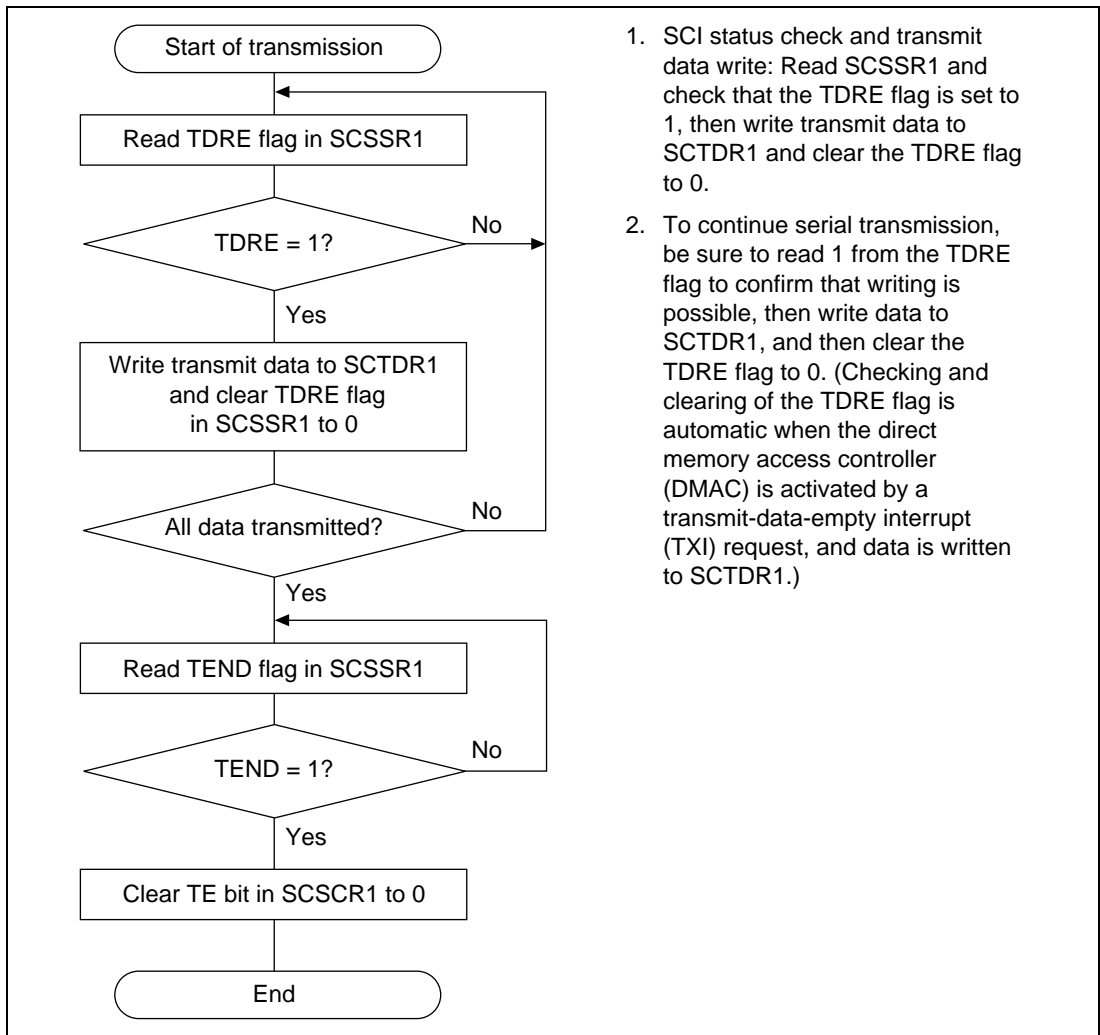


1. Set the clock selection in SCSCR1. Be sure to clear bits RIE, TIE, TEIE, and MPIE, TE and RE, to 0.
2. Set transmit/receive format in SCSMR1.
3. Write a value corresponding to the bit rate into SCBRR1. (Not necessary if an external clock is used.)
4. Wait at least one bit interval, then set the TE bit or RE bit in SCSCR1 to 1. Also set the RIE, TIE, TEIE, and MPIE bits. Setting the TE and RE bits enables the TxD and RxD pins to be used.

Figure 15.18 Sample SCI Initialization Flowchart

Serial Data Transmission (Synchronous Mode): Figure 15.19 shows a sample flowchart for serial transmission.

Use the following procedure for serial data transmission after enabling the SCI for transmission.



1. SCI status check and transmit data write: Read SCSSR1 and check that the TDRE flag is set to 1, then write transmit data to SCTDR1 and clear the TDRE flag to 0.
2. To continue serial transmission, be sure to read 1 from the TDRE flag to confirm that writing is possible, then write data to SCTDR1, and then clear the TDRE flag to 0. (Checking and clearing of the TDRE flag is automatic when the direct memory access controller (DMAC) is activated by a transmit-data-empty interrupt (TXI) request, and data is written to SCTDR1.)

Figure 15.19 Sample Serial Transmission Flowchart

In serial transmission, the SCI operates as described below.

1. The SCI monitors the TDRE flag in SCSSR1. When TDRE is cleared to 0, the SCI recognizes that data has been written to SCTDR1, and transfers the data from SCTDR1 to SCTSR1.
2. After transferring data from SCTDR1 to SCTSR1, the SCI sets the TDRE flag to 1 and starts transmission. If the TIE bit is set to 1 at this time, a transmit-data-empty interrupt (TXI) request is generated.

When clock output mode has been set, the SCI outputs 8 serial clock pulses. When use of an external clock has been specified, data is output synchronized with the input clock.

The serial transmit data is sent from the TxD pin starting with the LSB (bit 0) and ending with the MSB (bit 7).

3. The SCI checks the TDRE flag at the timing for sending the MSB (bit 7).

If the TDRE flag is cleared to 0, data is transferred from SCTDR1 to SCTSR1, and serial transmission of the next frame is started.

If the TDRE flag is set to 1, the TEND flag in SCSSR1 is set to 1, the MSB (bit 7) is sent, and the TxD pin maintains its state.

If the TEIE bit in SCSCR1 is set to 1 at this time, a transmit-end interrupt (TEI) request is generated.

4. After completion of serial transmission, the SCK pin is fixed high.

Figure 15.20 shows an example of SCI operation in transmission.

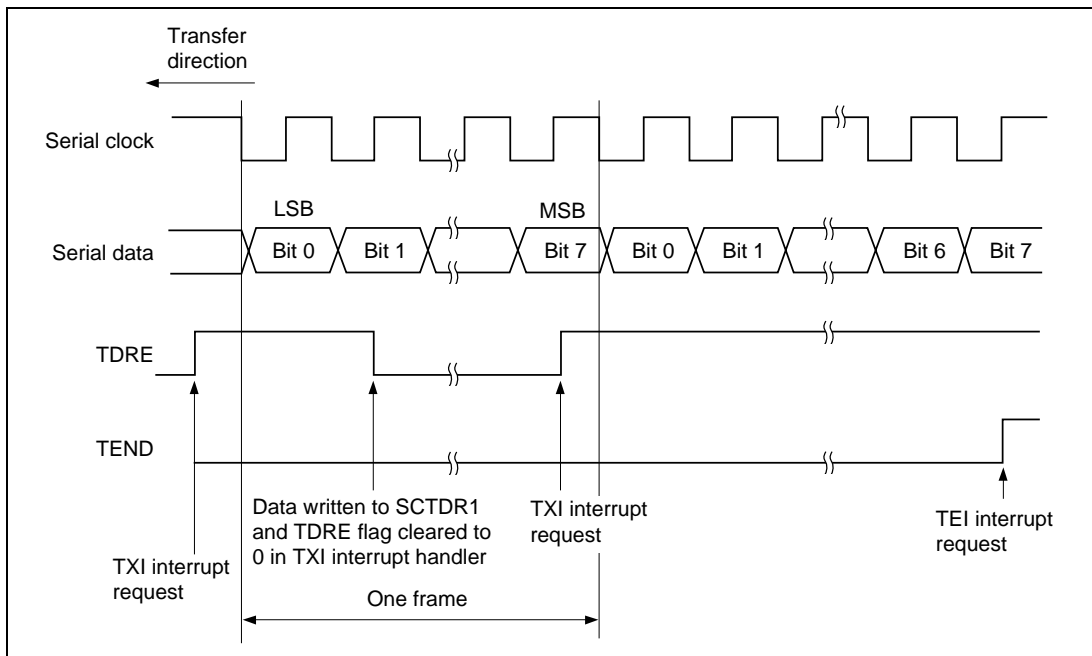
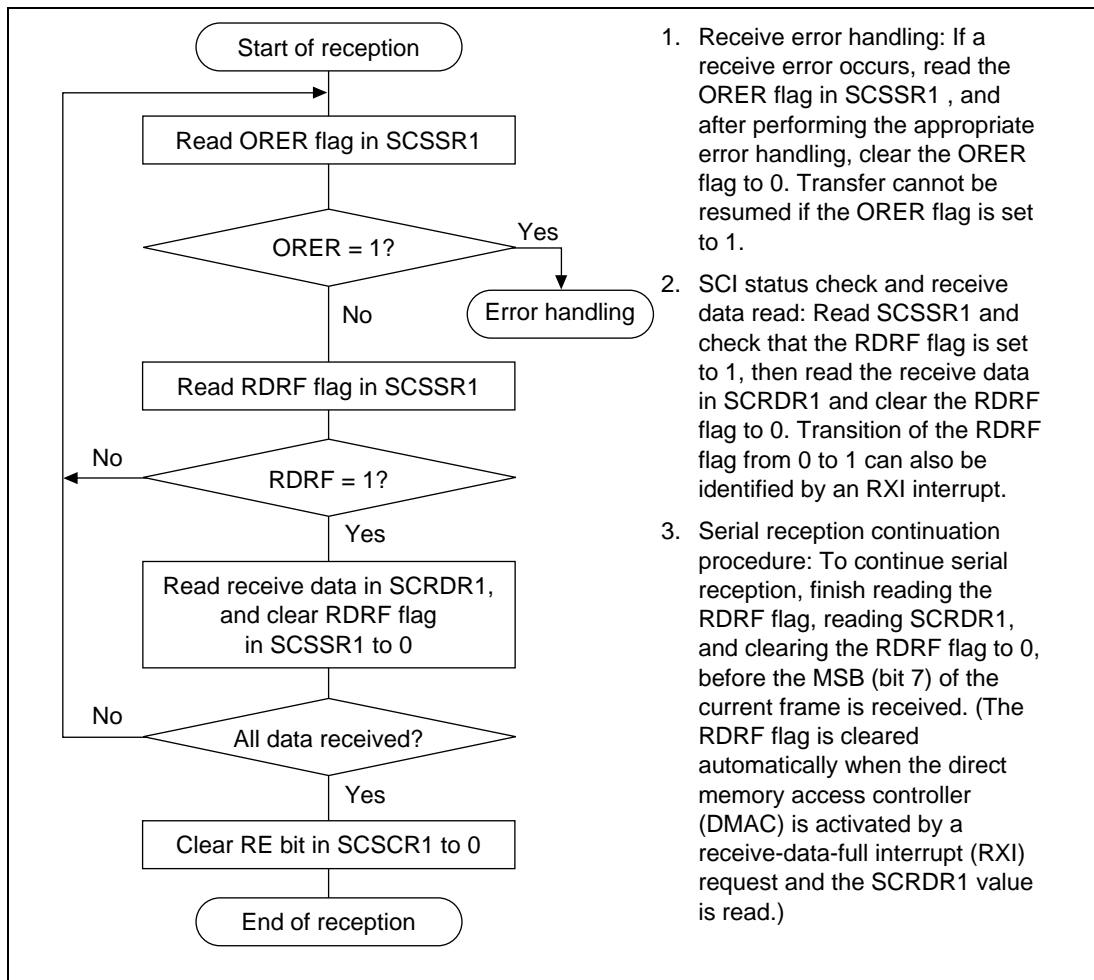


Figure 15.20 Example of SCI Transmit Operation

Serial Data Reception (Synchronous Mode): Figure 15.21 shows a sample flowchart for serial reception.

Use the following procedure for serial data reception after enabling the SCI for reception.

When changing the operating mode from asynchronous to synchronous, be sure to check that the ORER, PER, and FER flags are all cleared to 0. The RDRF flag will not be set if the FER or PER flag is set to 1, and neither transmit nor receive operations will be possible.



1. Receive error handling: If a receive error occurs, read the ORER flag in SCSSR1, and after performing the appropriate error handling, clear the ORER flag to 0. Transfer cannot be resumed if the ORER flag is set to 1.
2. SCI status check and receive data read: Read SCSSR1 and check that the RDRF flag is set to 1, then read the receive data in SCRDR1 and clear the RDRF flag to 0. Transition of the RDRF flag from 0 to 1 can also be identified by an RXI interrupt.
3. Serial reception continuation procedure: To continue serial reception, finish reading the RDRF flag, reading SCRDR1, and clearing the RDRF flag to 0, before the MSB (bit 7) of the current frame is received. (The RDRF flag is cleared automatically when the direct memory access controller (DMAC) is activated by a receive-data-full interrupt (RXI) request and the SCRDR1 value is read.)

Figure 15.21 Sample Serial Reception Flowchart (1)

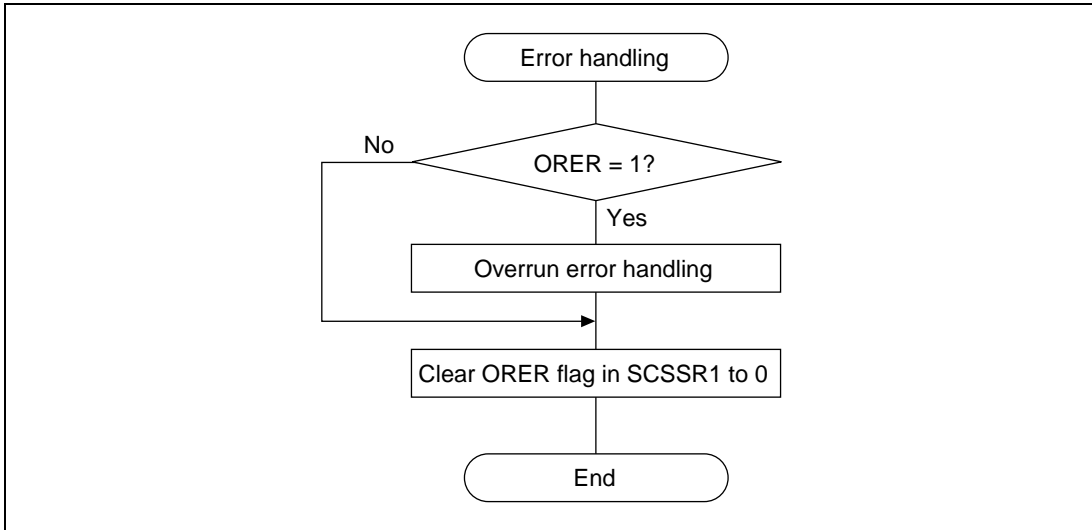


Figure 15.21 Sample Serial Reception Flowchart (2)

In serial reception, the SCI operates as described below.

1. The SCI performs internal initialization in synchronization with serial clock input or output.
2. The received data is stored in SCRSR1 in LSB-to-MSB order.

After reception, the SCI checks whether the RDRF flag is 0, indicating that the receive data can be transferred from SCRSR1 to SCRDR1.

If this check is passed, the RDRF flag is set to 1, and the receive data is stored in SCRDR1. If a receive error is detected in the error check, the operation is as shown in table 15.11.

Neither transmit nor receive operations can be performed subsequently when a receive error has been found in the error check.

Also, as the RDRF flag is not set to 1 when receiving, the flag must be cleared to 0.

3. If the RIE bit in SCRSR1 is set to 1 when the RDRF flag changes to 1, a receive-data-full interrupt (RXI) request is generated. If the RIE bit in SCRSR1 is set to 1 when the ORER flag changes to 1, a receive-error interrupt (ERI) request is generated.

Figure 15.22 shows an example of SCI operation in reception.

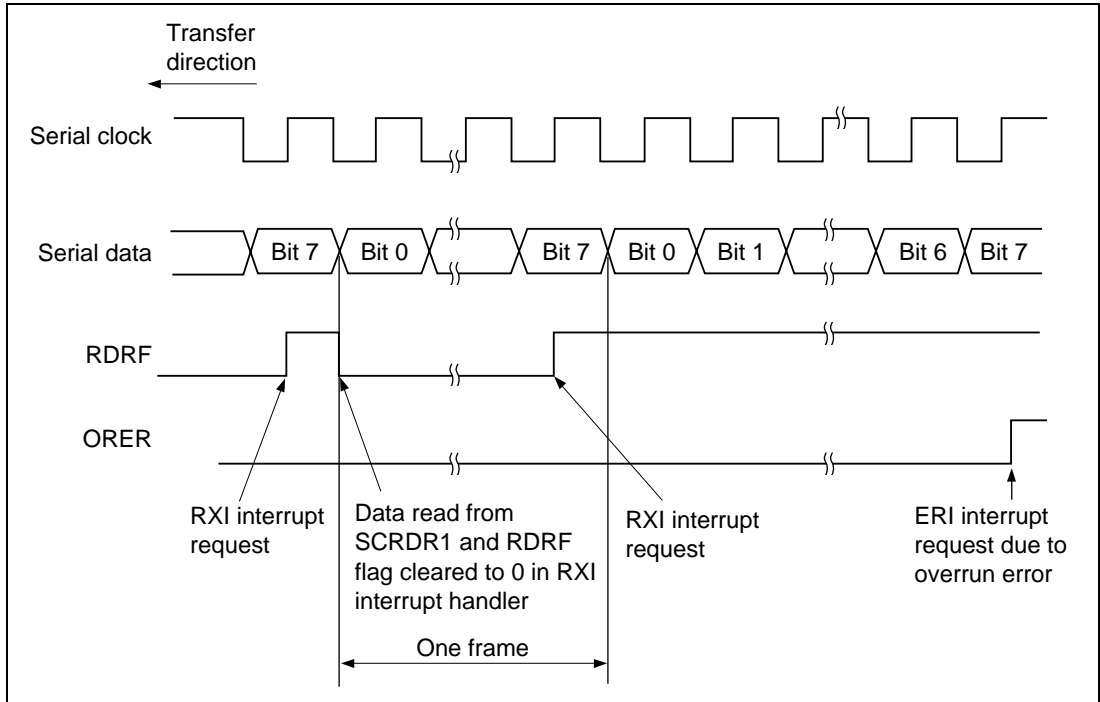
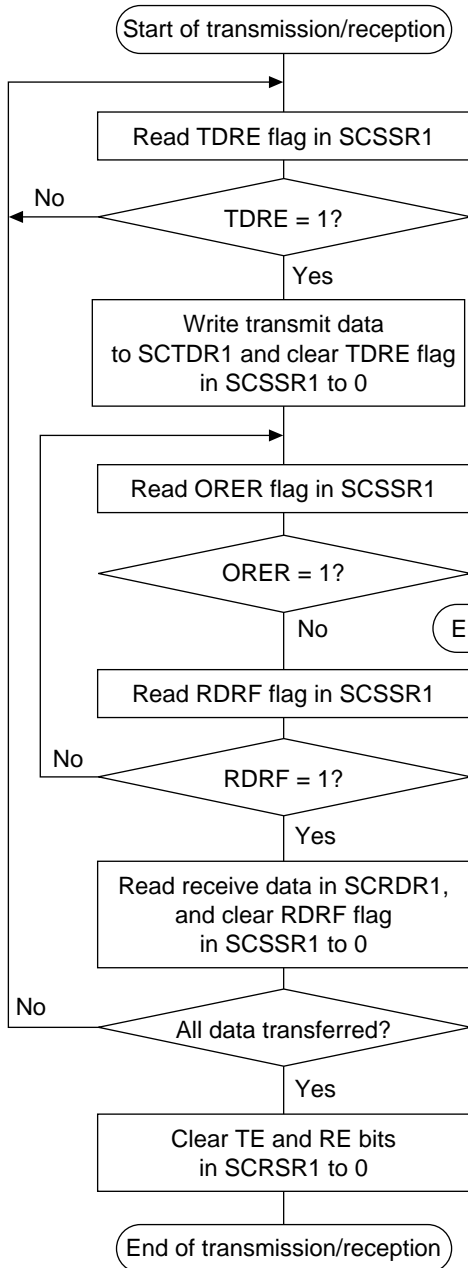


Figure 15.22 Example of SCI Receive Operation

Simultaneous Serial Data Transmission and Reception (Synchronous Mode): Figure 15.23 shows a sample flowchart for simultaneous serial transmit and receive operations.

Use the following procedure for simultaneous serial data transmit and receive operations after enabling the SCI for transmission and reception.



1. SCI status check and transmit data write:
Read SCSSR1 and check that the TDRE flag is set to 1, then write transmit data to SCTDR1 and clear the TDRE flag to 0. Transition of the TDRE flag from 0 to 1 can also be identified by a TXI interrupt.
2. Receive error handling:
If a receive error occurs, read the ORER flag in SCSSR1, and after performing the appropriate error handling, clear the ORER flag to 0. Transmission/reception cannot be resumed if the ORER flag is set to 1.
3. SCI status check and receive data read:
Read SCSSR1 and check that the RDRF flag is set to 1, then read the receive data in SCRDR1 and clear the RDRF flag to 0. Transition of the RDRF flag from 0 to 1 can also be identified by an RXI interrupt.
4. Serial transmission/reception continuation procedure:
To continue serial transmission/reception, finish reading the RDRF flag, reading SCRDR1, and clearing the RDRF flag to 0, before the MSB (bit 7) of the current frame is received. Also, before the MSB (bit 7) of the current frame is transmitted, read 1 from the TDRE flag to confirm that writing is possible, then write data to SCTDR1 and clear the TDRE flag to 0.

(Checking and clearing of the TDRE flag is automatic when the DMAC is activated by a transmit-data-empty interrupt (TXI) request, and data is written to SCTDR1. Similarly, the RDRF flag is cleared automatically when the DMAC is activated by a receive-data-full interrupt (RXI) request and the SCRDR1 value is read.)

Note: When switching from transmit or receive operation to simultaneous transmit and receive operations, first clear the TE bit and RE bit to 0, then set both these bits to 1.

Figure 15.23 Sample Flowchart for Serial Data Transmission and Reception

15.4 SCI Interrupt Sources and DMAC

The SCI has four interrupt sources: the transmit-end interrupt (TEI) request, receive-error interrupt (ERI) request, receive-data-full interrupt (RXI) request, and transmit-data-empty interrupt (TXI) request.

Table 15.12 shows the interrupt sources and their relative priorities. Individual interrupt sources can be enabled or disabled with the TIE, RIE, and TEIE bits in SCSSR1, and the EIO bit in SCSPTR1. Each kind of interrupt request is sent to the interrupt controller independently.

When the TDRE flag in the serial status register (SCSSR1) is set to 1, a TDR-empty request is generated separately from the interrupt request. A TDR-empty request can activate the direct memory access controller (DMAC) to perform data transfer. The TDRE flag is cleared to 0 automatically when a write to the transmit data register (SCTDR1) is performed by the DMAC.

When the RDRF flag in SCSSR1 is set to 1, an RDR-full request is generated separately from the interrupt request. An RDR-full request can activate the DMAC to perform data transfer.

The RDRF flag is cleared to 0 automatically when a receive data register (SCRDR1) read is performed by the DMAC.

When the ORER, FER, or PER flag in SCSSR1 is set to 1, an ERI interrupt request is generated. The DMAC cannot be activated by an ERI interrupt request. When receive data processing is to be carried out by the DMAC and receive error handling is to be performed by means of an interrupt to the CPU, set the RIE bit to 1 and also set the EIO bit in SCSPTR1 to 1 so that an interrupt error occurs only for a receive error. If the EIO bit is cleared to 0, interrupts to the CPU will be generated even during normal data reception.

When the TEND flag in SCSSR1 is set to 1, a TEI interrupt request is generated. The DMAC cannot be activated by a TEI interrupt request.

A TXI interrupt indicates that transmit data can be written, and a TEI interrupt indicates that the transmit operation has ended.

Table 15.12 SCI Interrupt Sources

Interrupt Source	Description	DMAC Activation	Priority on Reset Release
ERI	Receive error (ORER, FER, or PER)	Not possible	High
RXI	Receive data register full (RDRF)	Possible	↑
TXI	Transmit data register empty (TDRE)	Possible	↓
TEI	Transmit end (TEND)	Not possible	Low

See section 5, Exceptions, for the priority order and relation to non-SCI interrupts.

15.5 Usage Notes

The following points should be noted when using the SCI.

SCTDR1 Writing and the TDRE Flag: The TDRE flag in SCSSR1 is a status flag that indicates that transmit data has been transferred from SCTDR1 to SCTS1. When the SCI transfers data from SCTDR1 to SCTS1, the TDRE flag is set to 1.

Data can be written to SCTDR1 regardless of the state of the TDRE flag. However, if new data is written to SCTDR1 when the TDRE flag is cleared to 0, the data stored in SCTDR1 will be lost since it has not yet been transferred to SCTS1. It is therefore essential to check that the TDRE flag is set to 1 before writing transmit data to SCTDR1.

Simultaneous Multiple Receive Errors: If a number of receive errors occur at the same time, the state of the status flags in SCSSR1 is as shown in table 15.13. If there is an overrun error, data is not transferred from SCRSR1 to SCRDR1, and the receive data is lost.

Table 15.13 SCSSR1 Status Flags and Transfer of Receive Data

Receive Errors	SCSSR1 Status Flags				Receive Data Transfer
	RDRF	ORER	FER	PER	SCRSR1 → SCRDR1
Overrun error	1	1	0	0	X
Framing error	0	0	1	0	O
Parity error	0	0	0	1	O
Overrun error + framing error	1	1	1	0	X
Overrun error + parity error	1	1	0	1	X
Framing error + parity error	0	0	1	1	O
Overrun error + framing error + parity error	1	1	1	1	X

O: Receive data is transferred from SCRSR1 to SCRDR1.

X: Receive data is not transferred from SCRSR1 to SCRDR1.

Break Detection and Processing: Break signals can be detected by reading the RxD pin directly when a framing error (FER) is detected. In the break state the input from the RxD pin consists of all 0s, so the FER flag is set and the parity error flag (PER) may also be set. Note that the SCI receiver continues to operate in the break state, so if the FER flag is cleared to 0 it will be set to 1 again.

Sending a Break Signal: The input/output condition and level of the TxD pin are determined by bits SPB0IO and SPB0DT in the serial port register (SCSPTR1). This feature can be used to send a break signal.

After the serial transmitter is initialized, the TxD pin function is not selected and the value of the SPB0DT bit substitutes for the mark state until the TE bit is set to 1 (i.e. transmission is enabled). The SPB0IO and SPB0DT bits should therefore be set to 1 (designating output and high level) beforehand.

To send a break signal during serial transmission, clear the SPB0DT bit to 0 (designating low level), then clear the TE bit to 0 (halting transmission). When the TE bit is cleared to 0, the transmitter is initialized regardless of its current state, and the TxD pin becomes an output port outputting the value 0.

Receive Error Flags and Transmit Operations (Synchronous Mode Only): Transmission cannot be started when a receive error flag (ORER, PER, or FER) is set to 1, even if the TDRE flag is set to 1. Be sure to clear the receive error flags to 0 before starting transmission.

Note also that the receive error flags are not cleared to 0 by clearing the RE bit to 0.

Receive Data Sampling Timing and Receive Margin in Asynchronous Mode: The SCI operates on a base clock with a frequency of 16 times the bit rate. In reception, the SCI synchronizes internally with the fall of the start bit, which it samples on the base clock. Receive data is latched at the rising edge of the eighth base clock pulse. The timing is shown in figure 15.24.

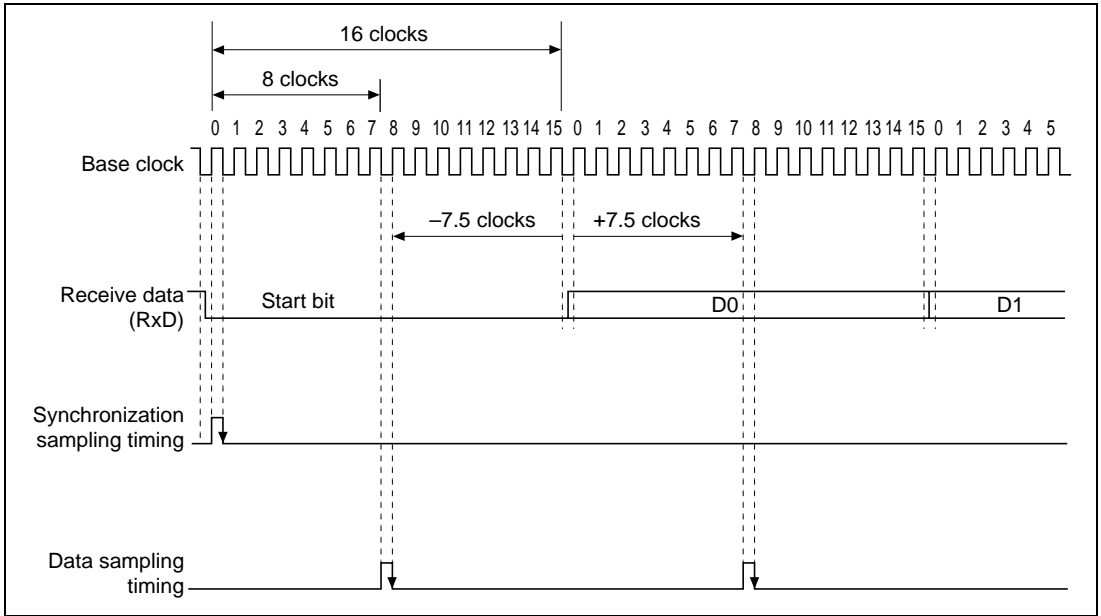


Figure 15.24 Receive Data Sampling Timing in Asynchronous Mode

The receive margin in asynchronous mode can therefore be expressed as shown in equation (1).

$$M = \left| \left(0.5 - \frac{1}{2N} \right) - (L - 0.5) F - \frac{|D - 0.5|}{N} (1 + F) \right| \times 100\% \quad \dots\dots\dots (1)$$

- M: Receive margin (%)
- N: Ratio of clock frequency to bit rate (N = 16)
- D: Clock duty cycle (D = 0 to 1.0)
- L: Frame length (L = 9 to 12)
- F: Absolute deviation of clock frequency

From equation (1), if F = 0 and D = 0.5, the receive margin is 46.875%, as given by equation (2).

When D = 0.5 and F = 0:

$$M = (0.5 - 1/(2 \times 16)) \times 100\% = 46.875\% \quad \dots\dots\dots (2)$$

This is a theoretical value. A reasonable margin to allow in system designs is 20% to 30%.

When Using the DMAC:

- When an external clock source is used as the serial clock, the transmit clock should not be input until at least 5 peripheral operating clock cycles after SCTDR1 is updated by the DMAC. Incorrect operation may result if the transmit clock is input within 4 cycles after SCTDR1 is updated. (See figure 15.25)

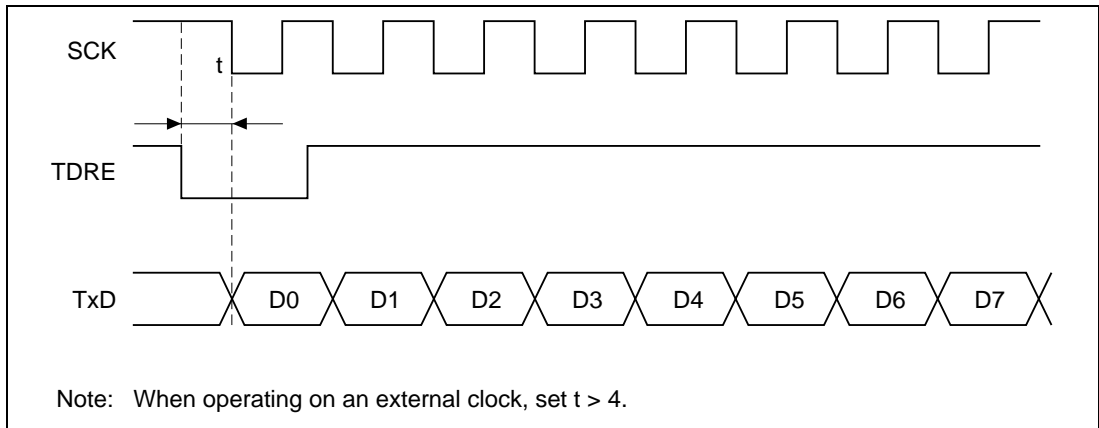


Figure 15.25 Example of Synchronous Transmission by DMAC

- When SCRDR1 is read by the DMAC, be sure to set the SCI receive-data-full interrupt (RXI) as the activation source with bits RS3 to RS0 in CHCR.
- When using the DMAC for transmission/reception, making a setting to disable RXI and TXI interrupt requests to the interrupt controller. Even if issuance of interrupt requests is set, interrupt requests to the interrupt controller will be cleared by the DMAC independently of the interrupt handling program.

When Using Synchronous External Clock Mode:

- Do not set TE or RE to 1 until at least 4 peripheral operating clock cycles after external clock SCK has changed from 0 to 1.
- Only set both TE and RE to 1 when external clock SCK is 1.
- In reception, note that if RE is cleared to 0 from 2.5 to 3.5 peripheral operating clock cycles after the rising edge of the RxD D7 bit SCK input, RDRF will be set to 1 but copying to SCRDR1 will not be possible.

When Using Synchronous Internal Clock Mode: In reception, note that if RE is cleared to zero 1.5 peripheral operating clock cycles after the rising edge of the RxD D7 bit SCK output, RDRF will be set to 1 but copying to SCRDR1 will not be possible.

When Using DMAC: When using the DMAC for transmission/reception, make a setting to suppress output of RXI and TXI interrupt requests to the interrupt controller. Even if a setting is made to output interrupt requests, interrupt requests to the interrupt controller will be cleared by the DMAC independently of the interrupt handling program.

Section 16 Serial Communication Interface with FIFO (SCIF)

16.1 Overview

The SH7750 Series is equipped with a single-channel serial communication interface with built-in FIFO buffers (Serial Communication Interface with FIFO: SCIF). The SCIF can perform asynchronous serial communication.

Sixteen-stage FIFO registers are provided for both transmission and reception, enabling fast, efficient, and continuous communication.

16.1.1 Features

SCIF features are listed below.

- Asynchronous serial communication
Serial data communication is executed using an asynchronous system in which synchronization is achieved character by character. Serial data communication can be carried out with standard asynchronous communication chips such as a Universal Asynchronous Receiver/Transmitter (UART) or Asynchronous Communication Interface Adapter (ACIA). There is a choice of 8 serial data transfer formats.
 - Data length: 7 or 8 bits
 - Stop bit length: 1 or 2 bits
 - Parity: Even/odd/none
 - Receive error detection: Parity, framing, and overrun errors
 - Break detection: If the receive data following that in which a framing error occurred is also at the space “0” level, and there is a frame error, a break is detected. When a framing error occurs, a break can also be detected by reading the RxD2 pin level directly from the serial port register (SCSPTR2).
- Full-duplex communication capability
The transmitter and receiver are independent units, enabling transmission and reception to be performed simultaneously.
The transmitter and receiver both have a 16-stage FIFO buffer structure, enabling fast and continuous serial data transmission and reception.
- On-chip baud rate generator allows any bit rate to be selected.
- Choice of serial clock source: internal clock from baud rate generator or external clock from SCK2 pin

- Four interrupt sources

There are four interrupt sources—transmit-FIFO-data-empty, break, receive-FIFO-data-full, and receive-error—that can issue requests independently.

- The DMA controller (DMAC) can be activated to execute a data transfer by issuing a DMA transfer request in the event of a transmit-FIFO-data-empty or receive-FIFO-data-full interrupt.
- When not in use, the SCIF can be stopped by halting its clock supply to reduce power consumption.
- Modem control functions ($\overline{\text{RTS2}}$ and $\overline{\text{CTS2}}$) are provided.
- The amount of data in the transmit/receive FIFO registers, and the number of receive errors in the receive data in the receive FIFO register, can be ascertained.
- A timeout error (DR) can be detected during reception.

16.1.2 Block Diagram

Figure 16.1 shows a block diagram of the SCIF.

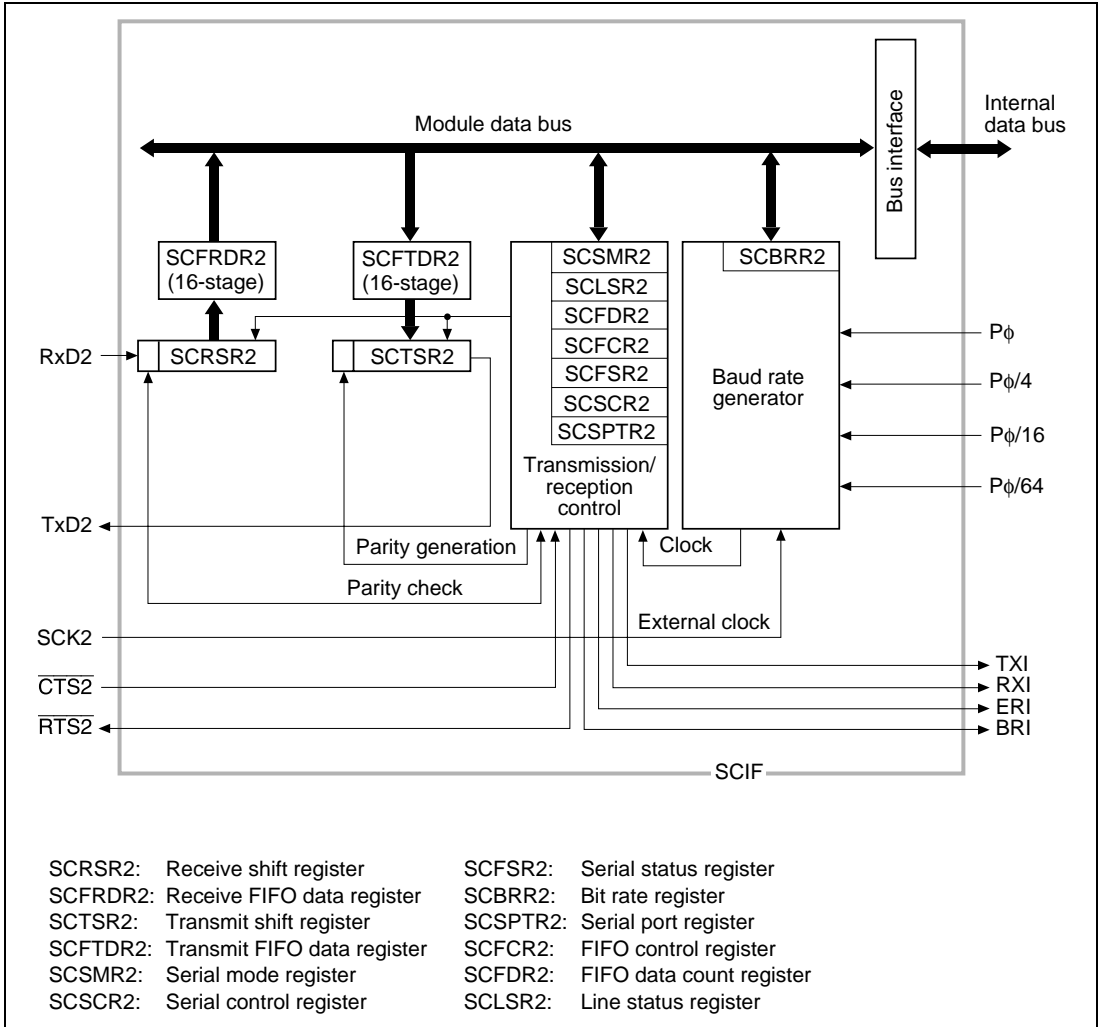


Figure 16.1 Block Diagram of SCIF

16.1.3 Pin Configuration

Table 16.1 shows the SCIF pin configuration.

Table 16.1 SCIF Pins

Pin Name	Abbreviation	I/O	Function
Serial clock pin	SCK2/ $\overline{\text{MRESET}}$	Input	Clock input
Receive data pin	MD2/RxD2	Input	Receive data input
Transmit data pin	MD1/TxD2	Output	Transmit data output
Modem control pin	$\overline{\text{CTS2}}$	I/O	Transmission enabled
Modem control pin	MD8/ $\overline{\text{RTS2}}$	I/O	Transmission request

Note: After a power-on reset, these pins function as mode input pins MD0, MD1, MD2, MD7, and MD8. These pins can function as serial pins by setting the SCIF operation with the TE, RE, and CKE1 bits in SCSCR2 and the MCE bit in SCFCR2. These pins are made to function as serial pins by performing SCIF operation settings with the TE, RE, and CKE1 bits in SCSCR2 and the MCE bit in SCFCR2. Break state transmission and detection can be set in the SCIF's SCSPT2 register.

16.1.4 Register Configuration

The SCIF has the internal registers shown in table 16.2. These registers are used to specify the data format and bit rate, and to perform transmitter/receiver control.

Table 16.2 SCIF Registers

Name	Abbrevia- tion	R/W	Initial Value	P4 Address	Area 7 Address	Access Size
Serial mode register	SCSMR2	R/W	H'0000	H'FFE80000	H'IFE80000	16
Bit rate register	SCBRR2	R/W	H'FF	H'FFE80004	H'IFE80004	8
Serial control register	SCSCR2	R/W	H'0000	H'FFE80008	H'IFE80008	16
Transmit FIFO data register	SCFTDR2	W	Undefined	H'FFE8000C	H'IFE8000C	8
Serial status register	SCFSR2	R/(W)* ¹	H'0060	H'FFE80010	H'IFE80010	16
Receive FIFO data register	SCFRDR2	R	Undefined	H'FFE80014	H'IFE80014	8
FIFO control register	SCFCR2	R/W	H'0000	H'FFE80018	H'IFE80018	16
FIFO data count register	SCFDR2	R	H'0000	H'FFE8001C	H'IFE8001C	16
Serial port register	SCSPTR2	R/W	H'0000* ²	H'FFE80020	H'IFE80020	16
Line status register	SCLSR2	R/(W)* ³	H'0000	H'FFE80024	H'IFE80024	16

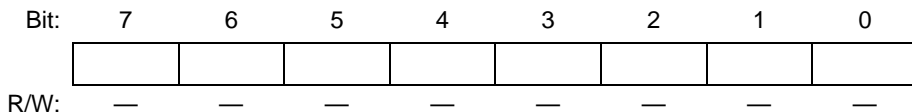
Notes: *1 Only 0 can be written, to clear flags. Bits 15 to 8, 3, and 2 are read-only, and cannot be modified.

*2 The value of bits 6, 4, and 0 is undefined.

*3 Only 0 can be written, to clear flags. Bits 15 to 1 are read-only, and cannot be modified.

16.2 Register Descriptions

16.2.1 Receive Shift Register (SCRSR2)

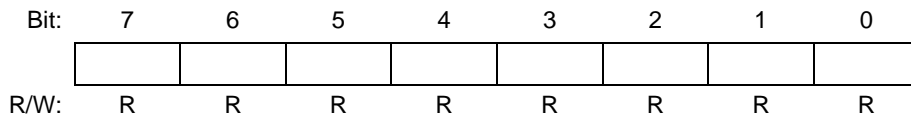


SCRSR2 is the register used to receive serial data.

The SCIF sets serial data input from the Rx2D pin in SCRSR2 in the order received, starting with the LSB (bit 0), and converts it to parallel data. When one byte of data has been received, it is transferred to the receive FIFO register, SCFRDR2, automatically.

SCRSR2 cannot be directly read or written to by the CPU.

16.2.2 Receive FIFO Data Register (SCFRDR2)



SCFRDR2 is a 16-stage FIFO register that stores received serial data.

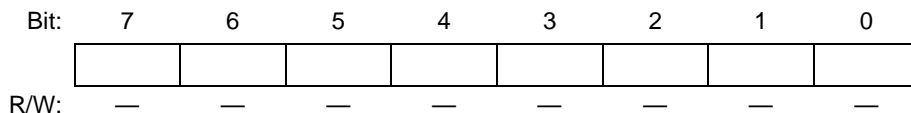
When the SCIF has received one byte of serial data, it transfers the received data from SCRSR2 to SCFRDR2 where it is stored, and completes the receive operation. SCRSR2 is then enabled for reception, and consecutive receive operations can be performed until the receive FIFO register is full (16 data bytes).

SCFRDR2 is a read-only register, and cannot be written to by the CPU.

If a read is performed when there is no receive data in the receive FIFO register, an undefined value will be returned. When the receive FIFO register is full of receive data, subsequent serial data is lost.

The contents of SCFRDR2 are undefined after a power-on reset or manual reset.

16.2.3 Transmit Shift Register (SCTSR2)



SCTSR2 is the register used to transmit serial data.

To perform serial data transmission, the SCIF first transfers transmit data from SCFTDR2 to SCTSR2, then sends the data to the TxD2 pin starting with the LSB (bit 0).

When transmission of one byte is completed, the next transmit data is transferred from SCFTDR2 to SCTSR2, and transmission started, automatically.

SCTSR2 cannot be directly read or written to by the CPU.

16.2.4 Transmit FIFO Data Register (SCFTDR2)

Bit:	7	6	5	4	3	2	1	0
R/W:	W	W	W	W	W	W	W	W

SCFTDR2 is an 8-bit 16-stage FIFO register that stores data for serial transmission.

If SCTSR2 is empty when transmit data has been written to SCFTDR2, the SCIF transfers the transmit data written in SCFTDR2 to SCTSR2 and starts serial transmission.

SCFTDR2 is a write-only register, and cannot be read by the CPU.

The next data cannot be written when SCFTDR2 is filled with 16 bytes of transmit data. Data written in this case is ignored.

The contents of SCFTDR2 are undefined after a power-on reset or manual reset.

16.2.5 Serial Mode Register (SCSMR2)

Bit:	15	14	13	12	11	10	9	8
	—	—	—	—	—	—	—	—
Initial value:	0	0	0	0	0	0	0	0
R/W:	R	R	R	R	R	R	R	R

Bit:	7	6	5	4	3	2	1	0
	—	CHR	PE	O/Ē	STOP	—	CKS1	CKS0
Initial value:	0	0	0	0	0	0	0	0
R/W:	R	R/W	R/W	R/W	R/W	R	R/W	R/W

SCSMR2 is a 16-bit register used to set the SCIF's serial transfer format and select the baud rate generator clock source.

SCSMR2 can be read or written to by the CPU at all times.

SCSMR2 is initialized to H'0000 by a power-on reset or manual reset. It is not initialized in standby mode or in the module standby state.

Bits 15 to 7—Reserved: These bits are always read as 0, and should only be written with 0.

Bit 6—Character Length (CHR): Selects 7 or 8 bits as the asynchronous mode data length.

Bit 6: CHR	Description
0	8-bit data (Initial value)
1	7-bit data*

Note: * When 7-bit data is selected, the MSB (bit 7) of SCFTDR2 is not transmitted.

Bit 5—Parity Enable (PE): Selects whether or not parity bit addition is performed in transmission, and parity bit checking in reception.

Bit 5: PE	Description
0	Parity bit addition and checking disabled (Initial value)
1	Parity bit addition and checking enabled*

Note: * When the PE bit is set to 1, the parity (even or odd) specified by the O/\bar{E} bit is added to transmit data before transmission. In reception, the parity bit is checked for the parity (even or odd) specified by the O/\bar{E} bit.

Bit 4—Parity Mode (O/\bar{E}): Selects either even or odd parity for use in parity addition and checking. The O/\bar{E} bit setting is only valid when the PE bit is set to 1, enabling parity bit addition and checking. The O/\bar{E} bit setting is invalid when parity addition and checking is disabled.

Bit 4: O/\bar{E}	Description
0	Even parity* ¹ (Initial value)
1	Odd parity* ²

Notes: *¹ When even parity is set, parity bit addition is performed in transmission so that the total number of 1-bits in the transmit character plus the parity bit is even. In reception, a check is performed to see if the total number of 1-bits in the receive character plus the parity bit is even.

*² When odd parity is set, parity bit addition is performed in transmission so that the total number of 1-bits in the transmit character plus the parity bit is odd. In reception, a check is performed to see if the total number of 1-bits in the receive character plus the parity bit is odd.

Bit 3—Stop Bit Length (STOP): Selects 1 or 2 bits as the stop bit length.

Bit 3: STOP	Description
0	1 stop bit* ¹ (Initial value)
1	2 stop bits* ²

Notes: *¹ In transmission, a single 1-bit (stop bit) is added to the end of a transmit character before it is sent.

*² In transmission, two 1-bits (stop bits) are added to the end of a transmit character before it is sent.

In reception, only the first stop bit is checked, regardless of the STOP bit setting. If the second stop bit is 1, it is treated as a stop bit; if it is 0, it is treated as the start bit of the next transmit character.

Bit 2—Reserved: This bit is always read as 0, and should only be written with 0.

Bits 1 and 0—Clock Select 1 and 0 (CKS1, CKS0): These bits select the clock source for the on-chip baud rate generator. The clock source can be selected from P ϕ , P ϕ /4, P ϕ /16, and P ϕ /64, according to the setting of bits CKS1 and CKS0.

For the relation between the clock source, the bit rate register setting, and the baud rate, see section 16.2.8, Bit Rate Register (SCBRR2).

Bit 1: CKS1	Bit 0: CKS0	Description
0	0	P ϕ clock (Initial value)
	1	P ϕ /4 clock
1	0	P ϕ /16 clock
	1	P ϕ /64 clock

Note: P ϕ : Peripheral clock

16.2.6 Serial Control Register (SCSCR2)

Bit:	15	14	13	12	11	10	9	8
	—	—	—	—	—	—	—	—
Initial value:	0	0	0	0	0	0	0	0
R/W:	R	R	R	R	R	R	R	R
Bit:	7	6	5	4	3	2	1	0
	TIE	RIE	TE	RE	REIE	—	CKE1	—
Initial value:	0	0	0	0	0	0	0	0
R/W:	R/W	R/W	R/W	R/W	R/W	R	R/W	R

The SCSCR2 register performs enabling or disabling of SCIF transfer operations, and interrupt requests, and selection of the serial clock source.

SCSCR2 can be read or written to by the CPU at all times.

SCSCR2 is initialized to H'0000 by a power-on reset or manual reset. It is not initialized in standby mode or in the module standby state.

Bits 15 to 8, 2, and 0—Reserved: These bits are always read as 0, and should only be written with 0.

Bit 7—Transmit Interrupt Enable (TIE): Enables or disables transmit-FIFO-data-empty interrupt (TXI) request generation when serial transmit data is transferred from SCFTDR2 to SCTSR2, the number of data bytes in the transmit FIFO register falls to or below the transmit trigger set number, and the TDFE flag in the serial status register (SCFSR2) is set to 1.

Bit 7: TIE	Description
0	Transmit-FIFO-data-empty interrupt (TXI) request disabled* (Initial value)
1	Transmit-FIFO-data-empty interrupt (TXI) request enabled

Note: *TXI interrupt requests can be cleared by writing transmit data exceeding the transmit trigger set number to SCFTDR2 after reading 1 from the TDFE flag, then clearing it to 0, or by clearing the TIE bit to 0.

Bit 6—Receive Interrupt Enable (RIE): Enables or disables generation of a receive-data-full interrupt (RXI) request when the RDF flag or DR flag in SCFSR2 is set to 1, a receive-error interrupt (ERI) request when the ER flag in SCFSR2 is set to 1, and a break interrupt (BRI) request when the BRK flag in SCFSR2 or the ORER flag in SCLSR2 is set to 1.

Bit 6: RIE	Description
0	Receive-data-full interrupt (RXI) request, receive-error interrupt (ERI) request, and break interrupt (BRI) request disabled* (Initial value)
1	Receive-data-full interrupt (RXI) request, receive-error interrupt (ERI) request, and break interrupt (BRI) request enabled

Note: * An RXI interrupt request can be cleared by reading 1 from the RDF or DR flag, then clearing the flag to 0, or by clearing the RIE bit to 0. ERI and BRI interrupt requests can be cleared by reading 1 from the ER, BRK, or ORER flag, then clearing the flag to 0, or by clearing the RIE and REIE bits to 0.

Bit 5—Transmit Enable (TE): Enables or disables the start of serial transmission by the SCIF.

Bit 5: TE	Description
0	Transmission disabled (Initial value)
1	Transmission enabled*

Note: * Serial transmission is started when transmit data is written to SCFTDR2 in this state. Serial mode register (SCSMR2) and FIFO control register (SCFCR2) settings must be made, the transmission format decided, and the transmit FIFO reset, before the TE bit is set to 1.

Bit 4—Receive Enable (RE): Enables or disables the start of serial reception by the SCIF.

Bit 4: RE	Description
0	Reception disabled* ¹ (Initial value)
1	Reception enabled* ²

Notes: *1 Clearing the RE bit to 0 does not affect the DR, ER, BRK, RDF, FER, PER, and ORER flags, which retain their states.

*2 Serial transmission is started when a start bit is detected in this state.

Serial mode register (SCSMR2) and FIFO control register (SCFCR2) settings must be made, the reception format decided, and the receive FIFO reset, before the RE bit is set to 1.

Bit 3—Receive Error Interrupt Enable (REIE): Enables or disables generation of receive-error interrupt (ERI) and break interrupt (BRI) requests. The REIE bit setting is valid only when the RIE bit is 0.

Bit 3: REIE	Description
0	Receive-error interrupt (ERI) and break interrupt (BRI) requests disabled* (Initial value)
1	Receive-error interrupt (ERI) and break interrupt (BRI) requests enabled

Note: * Receive-error interrupt (ERI) and break interrupt (BRI) requests can be cleared by reading 1 from the ER, BRK, or ORER flag, then clearing the flag to 0, or by clearing the RIE and REIE bits to 0. When REIE is set to 1, ERI and BRI interrupt requests will be generated even if RIE is cleared to 0. In DMAC transfer, this setting is made if the interrupt controller is to be notified of ERI and BRI interrupt requests.

Bit 1—Clock Enable 1 (CKE1): Selects the SCIF clock source. The CKE1 bit must be set before determining the SCIF's operating mode with SCSMR2.

Bit 1: CKE1	Description
0	Internal clock/SCK2 pin functions as port (Initial value)
1	External clock/SCK2 pin functions as clock input*

Note: * Inputs a clock with a frequency 16 times the bit rate.

16.2.7 Serial Status Register (SCFSR2)

Bit:	15	14	13	12	11	10	9	8
	PER3	PER2	PER1	PER0	FER3	FER2	FER1	FER0
Initial value:	0	0	0	0	0	0	0	0
R/W:	R	R	R	R	R	R	R	R

Bit:	7	6	5	4	3	2	1	0
	ER	TEND	TDFE	BRK	FER	PER	RDF	DR
Initial value:	0	1	1	0	0	0	0	0
R/W:	R/(W)*	R/(W)*	R/(W)*	R/(W)*	R	R	R/(W)*	R/(W)*

Note: * Only 0 can be written, to clear the flag.

SCFSR2 is a 16-bit register. The lower 8 bits consist of status flags that indicate the operating status of the SCIF, and the upper 8 bits indicate the number of receive errors in the data in the receive FIFO register.

SCFSR2 can be read or written to by the CPU at all times. However, 1 cannot be written to flags ER, TEND, TDFE, BRK, RDF, and DR. Also note that in order to clear these flags they must be read as 1 beforehand. The FER flag and PER flag are read-only flags and cannot be modified.

SCFSR2 is initialized to H'0060 by a power-on reset or manual reset. It is not initialized in standby mode or in the module standby state.

Bits 15 to 12—Number of Parity Errors (PER3–PER0): These bits indicate the number of data bytes in which a parity error occurred in the receive data stored in SCFRDR2.

After the ER bit in SCFSR2 is set, the value indicated by bits 15 to 12 is the number of data bytes in which a parity error occurred.

If all 16 bytes of receive data in SCFRDR2 have parity errors, the value indicated by bits PER3 to PER0 will be 0.

Bits 11 to 8—Number of Framing Errors (FER3–FER0): These bits indicate the number of data bytes in which a framing error occurred in the receive data stored in SCFRDR2.

After the ER bit in SCFSR2 is set, the value indicated by bits 11 to 8 is the number of data bytes in which a framing error occurred.

If all 16 bytes of receive data in SCFRDR2 have framing errors, the value indicated by bits FER3 to FER0 will be 0.

Bit 7—Receive Error (ER): Indicates that a framing error or parity error occurred during reception.*

Note: * The ER flag is not affected and retains its previous state when the RE bit in SCSCR2 is cleared to 0. When a receive error occurs, the receive data is still transferred to SCFRDR2, and reception continues.

The FER and PER bits in SCFSR2 can be used to determine whether there is a receive error that is to be from SCFRDR2.

Bit 7: ER	Description
0	No framing error or parity error occurred during reception (Initial value) [Clearing conditions] <ul style="list-style-type: none">• Power-on reset or manual reset• When 0 is written to ER after reading ER = 1
1	A framing error or parity error occurred during reception [Setting conditions] <ul style="list-style-type: none">• When the SCIF checks whether the stop bit at the end of the receive data is 1 when reception ends, and the stop bit is 0*• When, in reception, the number of 1-bits in the receive data plus the parity bit does not match the parity setting (even or odd) specified by the O/\bar{E} bit in SCSMR2

Note: * In 2-stop-bit mode, only the first stop bit is checked for a value of 1; the second stop bit is not checked.

Bit 6—Transmit End (TEND): Indicates that there is no valid data in SCFTDR2 when the last bit of the transmit character is sent, and transmission has been ended.

Bit 6: TEND	Description
0	Transmission is in progress [Clearing conditions] <ul style="list-style-type: none">• When transmit data is written to SCFTDR2, and 0 is written to TEND after reading TEND = 1• When data is written to SCFTDR2 by the DMAC
1	Transmission has been ended (Initial value) [Setting conditions] <ul style="list-style-type: none">• Power-on reset or manual reset• When the TE bit in SCSCR2 is 0• When there is no transmit data in SCFTDR2 on transmission of the last bit of a 1-byte serial transmit character

Bit 5—Transmit FIFO Data Empty (TDFE): Indicates that data has been transferred from SCFTDR2 to SCTSR2, the number of data bytes in SCFTDR2 has fallen to or below the transmit trigger data number set by bits TTRG1 and TTRG0 in the FIFO control register (SCFCR2), and new transmit data can be written to SCFTDR2.

Bit 5: TDFE	Description
0	<p>A number of transmit data bytes exceeding the transmit trigger set number have been written to SCFTDR2</p> <p>[Clearing conditions]</p> <ul style="list-style-type: none"> When transmit data exceeding the transmit trigger set number is written to SCFTDR2 after reading TDFE = 1, and 0 is written to TDFE When transmit data exceeding the transmit trigger set number is written to SCFTDR2 by the DMAC
1	<p>The number of transmit data bytes in SCFTDR2 does not exceed the transmit trigger set number (Initial value)</p> <p>[Setting conditions]</p> <ul style="list-style-type: none"> Power-on reset or manual reset When the number of SCFTDR2 transmit data bytes falls to or below the transmit trigger set number as the result of a transmit operation*

Note: * As SCFTDR2 is a 16-byte FIFO register, the maximum number of bytes that can be written when TDFE = 1 is 16 - (transmit trigger set number). Data written in excess of this will be ignored.

The number of data bytes in SCFTDR2 is indicated by the upper bits of SCFDR2.

Bit 4—Break Detect (BRK): Indicates that a receive data break signal has been detected.

Bit 4: BRK	Description
0	<p>A break signal has not been received (Initial value)</p> <p>[Clearing conditions]</p> <ul style="list-style-type: none"> Power-on reset or manual reset When 0 is written to BRK after reading BRK = 1
1	<p>A break signal has been received*</p> <p>[Setting condition]</p> <p>When data with a framing error is received, followed by the space “0” level (low level) for at least one frame length</p>

Note: * When a break is detected, the receive data (H'00) following detection is not transferred to SCFRDR2. When the break ends and the receive signal returns to mark “1”, receive data transfer is resumed.

Bit 3—Framing Error (FER): Indicates whether or not a framing error has been found in the data that is to be read next from SCFRDR2.

Bit 3: FER	Description
0	There is no framing error that is to be read from SCFRDR2 (Initial value) [Clearing conditions] <ul style="list-style-type: none">• Power-on reset or manual reset• When there is no framing error in the data that is to be read next from SCFRDR2
1	There is a framing error that is to be read from SCFRDR2 [Setting condition] When there is a framing error in the data that is to be read next from SCFRDR2

Bit 2—Parity Error (PER): Indicates whether or not a parity error has been found in the data that is to be read next from SCFRDR2.

Bit 2: PER	Description
0	There is no parity error that is to be read from SCFRDR2 (Initial value) [Clearing conditions] <ul style="list-style-type: none">• Power-on reset or manual reset• When there is no parity error in the data that is to be read next from SCFRDR2
1	There is a parity error in the receive data that is to be read from SCFRDR2 [Setting condition] When there is a parity error in the data that is to be read next from SCFRDR2

Bit 1—Receive FIFO Data Full (RDF): Indicates that the received data has been transferred from SCRSR2 to SCFRDR2, and the number of receive data bytes in SCFRDR2 is equal to or greater than the receive trigger number set by bits RTRG1 and RTRG0 in the FIFO control register (SCFCR2).

Bit 1: RDF	Description
0	<p>The number of receive data bytes in SCFRDR2 is less than the receive trigger set number (Initial value)</p> <p>[Clearing conditions]</p> <ul style="list-style-type: none"> • Power-on reset or manual reset • When SCFRDR2 is read until the number of receive data bytes in SCFRDR2 falls below the receive trigger set number after reading RDF = 1, and 0 is written to RDF • When SCFRDR2 is read by the DMAC until the number of receive data bytes in SCFRDR2 falls below the receive trigger set number
1	<p>The number of receive data bytes in SCFRDR2 is equal to or greater than the receive trigger set number</p> <p>[Setting condition]</p> <p>When SCFRDR2 contains at least the receive trigger set number of receive data bytes*</p>

Note: * SCFRDR2 is a 16-byte FIFO register. When RDF = 1, at least the receive trigger set number of data bytes can be read. If all the data in SCFRDR2 is read and another read is performed, the data value will be undefined. The number of receive data bytes in SCFRDR2 is indicated by the lower bits of SCFDR2.

Bit 0—Receive Data Ready (DR): Indicates that there are fewer than the receive trigger set number of data bytes in SCFRDR2, and no further data has arrived for at least 15 etu after the stop bit of the last data received.

Bit 0: DR	Description
0	<p>Reception is in progress or has ended normally and there is no receive data left in SCFRDR2 (Initial value)</p> <p>[Clearing conditions]</p> <ul style="list-style-type: none"> • Power-on reset or manual reset • When all the receive data in SCFRDR2 has been read after reading DR = 1, and 0 is written to DR • When all the receive data in SCFRDR2 has been read by the DMAC
1	<p>No further receive data has arrived</p> <p>[Setting condition]</p> <p>When SCFRDR2 contains fewer than the receive trigger set number of receive data bytes, and no further data has arrived for at least 15 etu after the stop bit of the last data received*</p>

Note: * Equivalent to 1.5 frames with an 8-bit, 1-stop-bit format.
etu: Elementary time unit (time for transfer of 1 bit)

16.2.8 Bit Rate Register (SCBRR2)

Bit:	7	6	5	4	3	2	1	0
Initial value:	1	1	1	1	1	1	1	1
R/W:	R/W	R/W	R/W	R/W	R/W	R/W	R/W	R/W

SCBRR2 is an 8-bit register that sets the serial transfer bit rate in accordance with the baud rate generator operating clock selected by bits CKS1 and CKS0 in SCSMR2.

SCBRR2 can be read or written to by the CPU at all times.

SCBRR2 is initialized to H'FF by a power-on reset or manual reset. It is not initialized in standby mode or in the module standby state.

The SCBRR2 setting is found from the following equation.

Asynchronous mode:

$$N = \frac{P\phi}{64 \times 2^{2n-1} \times B} \times 10^6 - 1$$

Where B: Bit rate (bits/s)

N: SCBRR2 setting for baud rate generator ($0 \leq N \leq 255$)

Pφ: Peripheral module operating frequency (MHz)

n: Baud rate generator input clock ($n = 0$ to 3)

(See the table below for the relation between n and the clock.)

n	Clock	SCSMR2 Setting	
		CKS1	CKS0
0	Pφ	0	0
1	Pφ/4	0	1
2	Pφ/16	1	0
3	Pφ/64	1	1

The bit rate error in asynchronous mode is found from the following equation:

$$\text{Error (\%)} = \left\{ \frac{P\phi \times 10^6}{(N + 1) \times B \times 64 \times 2^{2n-1}} - 1 \right\} \times 100$$

16.2.9 FIFO Control Register (SCFCR2)

Bit:	15	14	13	12	11	10	9	8
	—	—	—	—	—	RSTRG2*	RSTRG1*	RSTRG0*
Initial value:	0	0	0	0	0	0	0	0
R/W:	R	R	R	R	R	R/W	R/W	R/W
Bit:	7	6	5	4	3	2	1	0
	RTRG1	RTRG0	TTRG1	TTRG0	MCE	TFRST	RFRST	LOOP
Initial value:	0	0	0	0	0	0	0	0
R/W:	R/W	R/W	R/W	R/W	R/W	R/W	R/W	R/W

Note: * Reserved bit in the SH7750.

SCFCR2 performs data count resetting and trigger data number setting for the transmit and receive FIFO registers, and also contains a loopback test enable bit.

SCFCR2 can be read or written to by the CPU at all times.

SCFCR2 is initialized to H'0000 by a power-on reset or manual reset. It is not initialized in standby mode or in the module standby state.

Bits 15 to 11—Reserved: These bits are always read as 0, and should only be written with 0.

Bits 10 to 8 (SH7750)—Reserved: These bits are always read as 0, and should only be written with 0.

Bits 10 to 8 (SH7750S, SH7750R)— $\overline{\text{RTS2}}$ Output Active Trigger (RSTRG2, RSTG1, and RSTG0): These bits output the high level to the $\overline{\text{RTS2}}$ signal when the number of received data stored in the receive FIFO data register (SCFRDR2) exceeds the trigger number, as shown in the table below.

Bit 10: RSTRG2	Bit 9: RSTRG1	Bit 8: RSTRG0	$\overline{\text{RTS2}}$ Output Active Trigger	
0	0	0	15 (Initial value)	
		1	1	
1	1	0	4	
		1	6	
	0	1	0	8
			1	10
1	1	0	12	
		1	14	

Bits 7 and 6—Receive FIFO Data Number Trigger (RTRG1, RTRG0): These bits are used to set the number of receive data bytes that sets the receive data full (RDF) flag in the serial status register (SCFSR2).

The RDF flag is set when the number of receive data bytes in SCFRDR2 is equal to or greater than the trigger set number shown in the following table.

Bit 7: RTRG1	Bit 6: RTRG0	Receive Trigger Number
0	0	1 (Initial value)
	1	4
1	0	8
	1	14

Bits 5 and 4—Transmit FIFO Data Number Trigger (TTRG1, TTRG0): These bits are used to set the number of remaining transmit data bytes that sets the transmit FIFO data register empty (TDFE) flag in the serial status register (SCFSR2). The TDFE flag is set when the number of transmit data bytes in SCFTDR2 is equal to or less than the trigger set number shown in the following table.

Bit 5: TTRG1	Bit 4: TTRG0	Transmit Trigger Number	
0	0	8 (8)	(Initial value)
	1	4 (12)	
1	0	2 (14)	
	1	1 (15)	

Note: Figures in parentheses are the number of empty bytes in SCFTDR2 when the flag is set.

Bit 3—Modem Control Enable (MCE): Enables the $\overline{\text{CTS2}}$ and $\overline{\text{RTS2}}$ modem control signals.

Bit 3: MCE	Description	
0	Modem signals disabled*	(Initial value)
1	Modem signals enabled	

Note: * $\overline{\text{CTS2}}$ is fixed at active-0 regardless of the input value, and $\overline{\text{RTS2}}$ output is also fixed at 0.

Bit 2—Transmit FIFO Data Register Reset (TFRST): Invalidates the transmit data in the transmit FIFO data register and resets it to the empty state.

Bit 2: TFRST	Description	
0	Reset operation disabled*	(Initial value)
1	Reset operation enabled	

Note: * A reset operation is performed in the event of a power-on reset or manual reset.

Bit 1—Receive FIFO Data Register Reset (RFRST): Invalidates the receive data in the receive FIFO data register and resets it to the empty state.

Bit 1: RFRST	Description	
0	Reset operation disabled*	(Initial value)
1	Reset operation enabled	

Note: * A reset operation is performed in the event of a power-on reset or manual reset.

Bit 0—Loopback Test (LOOP): Internally connects the transmit output pin (TxD2) and receive input pin (RxD2), and the $\overline{\text{RTS2}}$ pin and $\overline{\text{CTS2}}$ pin, enabling loopback testing.

Bit 0: LOOP	Description
0	Loopback test disabled (Initial value)
1	Loopback test enabled

16.2.10 FIFO Data Count Register (SCFDR2)

SCFDR2 is a 16-bit register that indicates the number of data bytes stored in SCFTDR2 and SCFRDR2.

The upper 8 bits show the number of transmit data bytes in SCFTDR2, and the lower 8 bits show the number of receive data bytes in SCFRDR2.

SCFDR2 can be read by the CPU at all times.

Bit:	15	14	13	12	11	10	9	8
	—	—	—	T4	T3	T2	T1	T0
Initial value:	0	0	0	0	0	0	0	0
R/W:	R	R	R	R	R	R	R	R

These bits show the number of untransmitted data bytes in SCFTDR2. A value of H'00 indicates that there is no transmit data, and a value of H'10 indicates that SCFTDR2 is full of transmit data.

Bit:	7	6	5	4	3	2	1	0
	—	—	—	R4	R3	R2	R1	R0
Initial value:	0	0	0	0	0	0	0	0
R/W:	R	R	R	R	R	R	R	R

These bits show the number of receive data bytes in SCFRDR2. A value of H'00 indicates that there is no receive data, and a value of H'10 indicates that SCFRDR2 is full of receive data.

16.2.11 Serial Port Register (SCSPTR2)

Bit:	15	14	13	12	11	10	9	8
	—	—	—	—	—	—	—	—
Initial value:	0	0	0	0	0	0	0	0
R/W:	R	R	R	R	R	R	R	R
Bit:	7	6	5	4	3	2	1	0
	RTSIO	RTSDT	CTSIO	CTSDT	—	—	SPB2IO	SPB2DT
Initial value:	0	—	0	—	0	0	0	—
R/W:	R/W	R/W	R/W	R/W	R	R	R/W	R/W

SCSPTR2 is a 16-bit readable/writable register that controls input/output and data for the port pins multiplexed with the serial communication interface (SCIF) pins. Input data can be read from the RxD2 pin, output data written to the TxD2 pin, and breaks in serial transmission/reception controlled, by means of bits 1 and 0. Data can be read from, and output data written to, the $\overline{\text{CTS2}}$ pin by means of bits 5 and 4. Data can be read from, and output data written to, the $\overline{\text{RTS2}}$ pin by means of bits 6 and 7.

SCSPTR2 can be read or written to by the CPU at all times. All SCSPTR2 bits except bits 6, 4, and 0 are initialized to 0 by a power-on reset or manual reset; the value of bits 6, 4, and 0 is undefined. SCSPTR2 is not initialized in standby mode or in the module standby state.

Bits 15 to 8—Reserved: These bits are always read as 0, and should only be written with 0.

Bit 7—Serial Port RTS Port I/O (RTSIO): Specifies the serial port $\overline{\text{RTS2}}$ pin input/output condition. When the $\overline{\text{RTS2}}$ pin is actually set as a port output pin and outputs the value set by the RTSDT bit, the MCE bit in SCFCR2 should be cleared to 0.

Bit 7: RTSIO	Description
0	RTSDT bit value is not output to $\overline{\text{RTS2}}$ pin (Initial value)
1	RTSDT bit value is output to $\overline{\text{RTS2}}$ pin

Bit 6—Serial Port RTS Port Data (RTSDT): Specifies the serial port $\overline{\text{RTS2}}$ pin input/output data. Input or output is specified by the RTSIO bit (see the description of bit 7, RTSIO, for details). In output mode, the RTSDT bit value is output to the $\overline{\text{RTS2}}$ pin. The $\overline{\text{RTS2}}$ pin value is read from the RTSDT bit regardless of the value of the RTSIO bit. The initial value of this bit after a power-on reset or manual reset is undefined.

Bit 6: RTSDT	Description
0	Input/output data is low-level
1	Input/output data is high-level

Bit 5—Serial Port CTS Port I/O (CTSIO): Specifies the serial port $\overline{\text{CTS2}}$ pin input/output condition. When the $\overline{\text{CTS2}}$ pin is actually set as a port output pin and outputs the value set by the CTSDT bit, the MCE bit in SCFCR2 should be cleared to 0.

Bit 5: CTSIO	Description
0	CTSDT bit value is not output to $\overline{\text{CTS2}}$ pin (Initial value)
1	CTSDT bit value is output to $\overline{\text{CTS2}}$ pin

Bit 4—Serial Port CTS Port Data (CTSDT): Specifies the serial port $\overline{\text{CTS2}}$ pin input/output data. Input or output is specified by the CTSIO bit (see the description of bit 5, CTSIO, for details). In output mode, the CTSDT bit value is output to the $\overline{\text{CTS2}}$ pin. The $\overline{\text{CTS2}}$ pin value is read from the CTSDT bit regardless of the value of the CTSIO bit. The initial value of this bit after a power-on reset or manual reset is undefined.

Bit 4: CTSDT	Description
0	Input/output data is low-level
1	Input/output data is high-level

Bits 3 and 2—Reserved: These bits are always read as 0, and should only be written with 0.

Bit 1—Serial Port Break I/O (SPB2IO): Specifies the serial port TxD2 pin output condition. When the TxD2 pin is actually set as a port output pin and outputs the value set by the SPB2DT bit, the TE bit in SCSCR2 should be cleared to 0.

Bit 1: SPB2IO	Description
0	SPB2DT bit value is not output to the TxD2 pin (Initial value)
1	SPB2DT bit value is output to the TxD2 pin

Bit 0—Serial Port Break Data (SPB2DT): Specifies the serial port Rx/D2 pin input data and Tx/D2 pin output data. The Tx/D2 pin output condition is specified by the SPB2IO bit (see the description of bit 1, SPB2IO, for details). When the Tx/D2 pin is designated as an output, the value of the SPB2DT bit is output to the Tx/D2 pin. The Rx/D2 pin value is read from the SPB2DT bit regardless of the value of the SPB2IO bit. The initial value of this bit after a power-on reset or manual reset is undefined.

Bit 0: SPB2DT	Description
0	Input/output data is low-level
1	Input/output data is high-level

SCIF I/O port block diagrams are shown in figures 16.2 to 16.5.

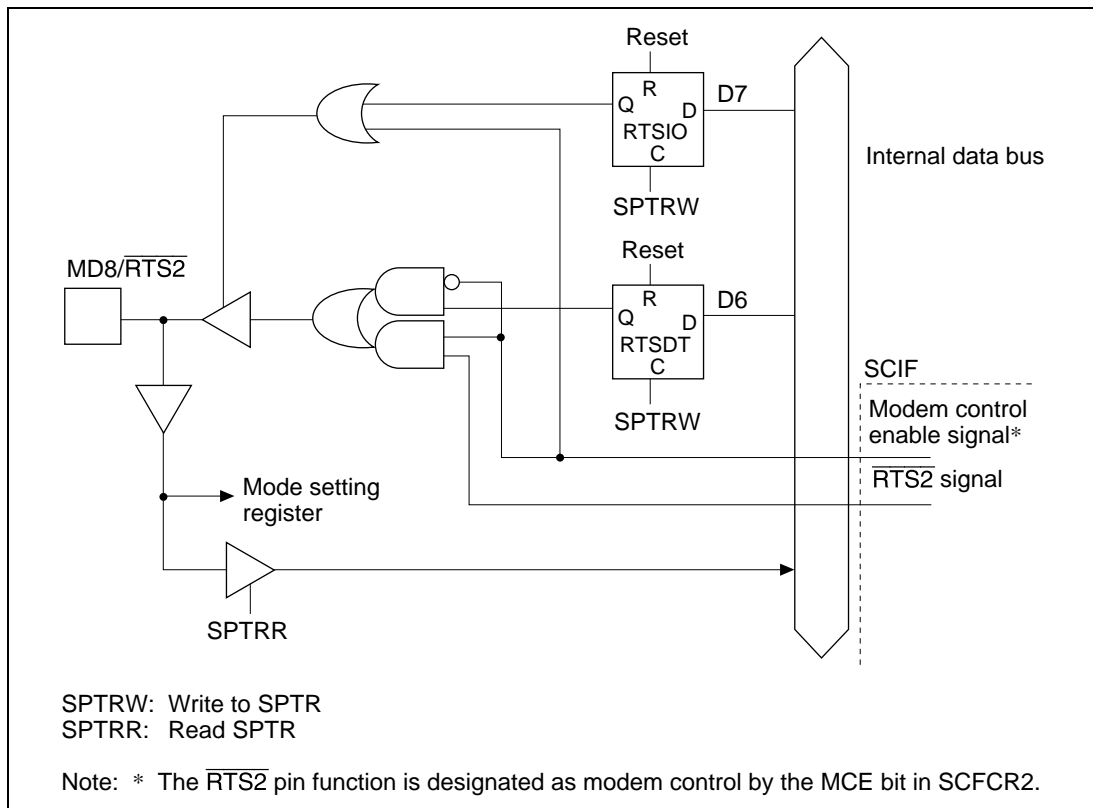


Figure 16.2 MD8/ $\overline{\text{RTS2}}$ Pin

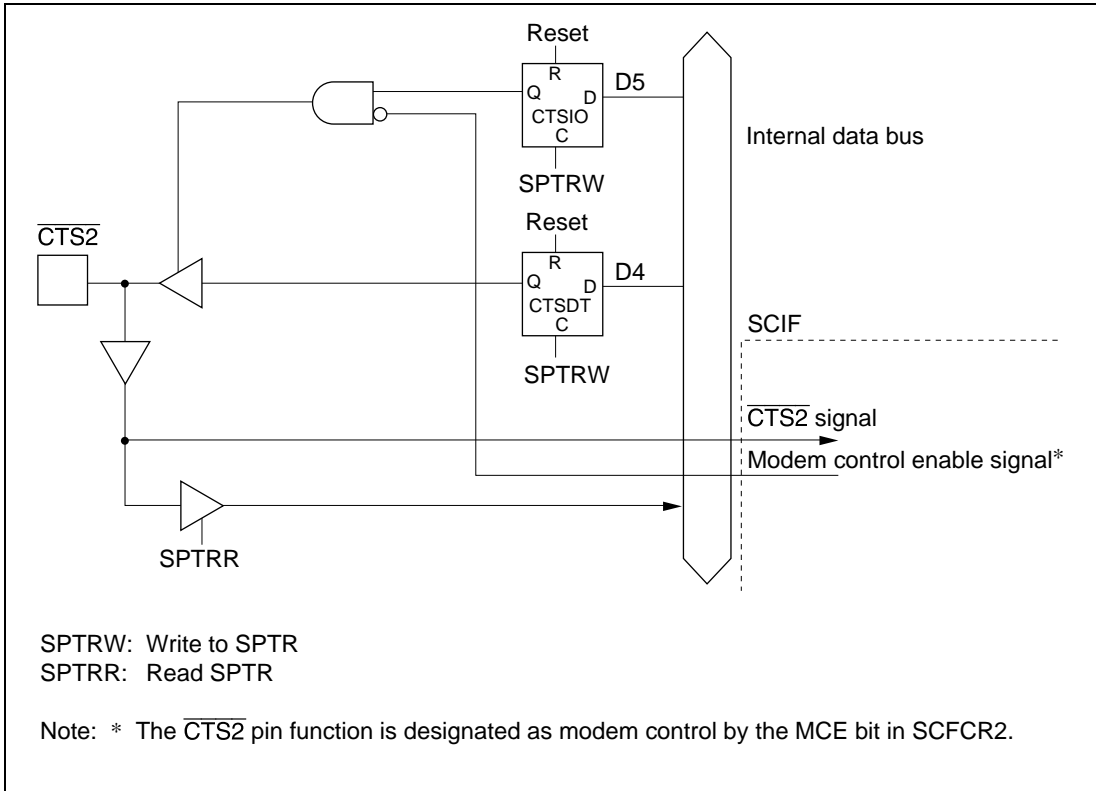


Figure 16.3 $\overline{\text{CTS2}}$ Pin

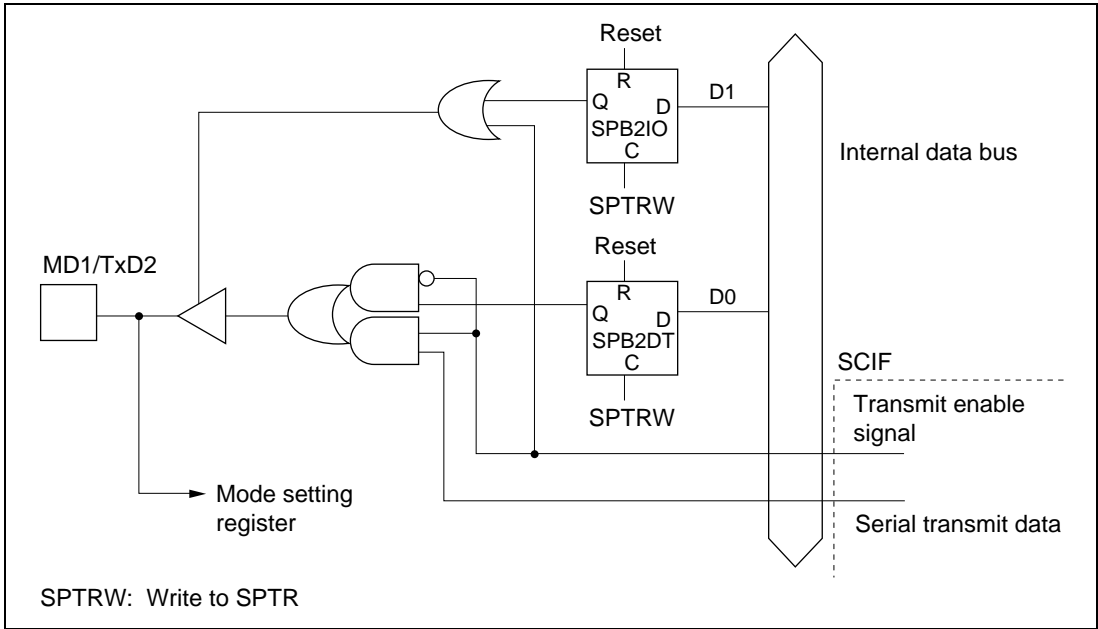


Figure 16.4 MD1/TxD2 Pin

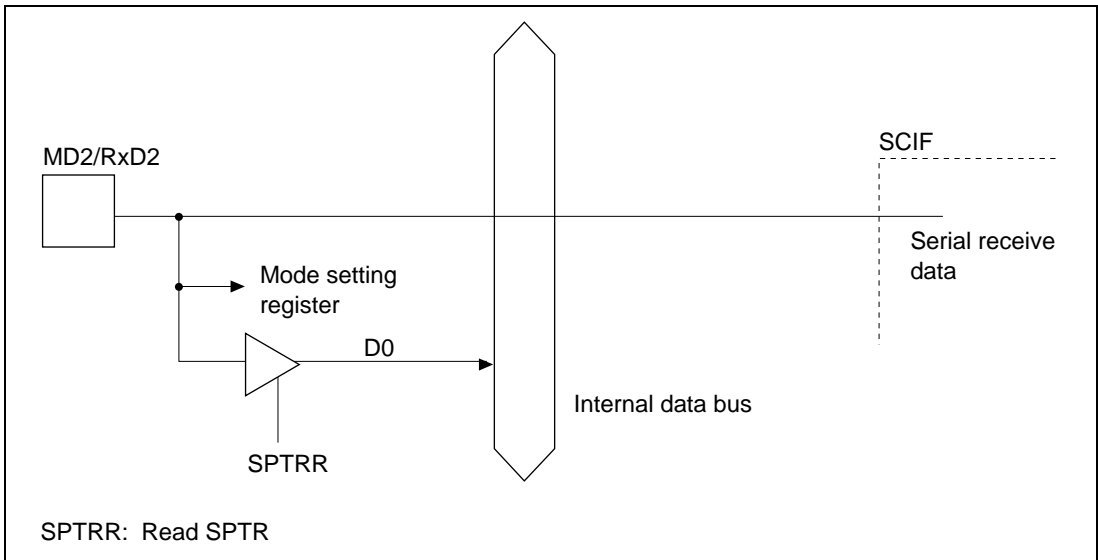


Figure 16.5 MD2/RxD2 Pin

16.2.12 Line Status Register (SCLSR2)

Bit:	15	14	13	12	11	10	9	8
	—	—	—	—	—	—	—	—
Initial value:	0	0	0	0	0	0	0	0
R/W:	R	R	R	R	R	R	R	R
Bit:	7	6	5	4	3	2	1	0
	—	—	—	—	—	—	—	ORER
Initial value:	0	0	0	0	0	0	0	0
R/W:	R	R	R	R	R	R	R	(R/W)*

Note: * Only 0 can be written, to clear the flag.

Bits 15 to 1—Reserved: These bits are always read as 0, and should only be written with 0.

Bit 0—Overrun Error (ORER): Indicates that an overrun error occurred during reception, causing abnormal termination.

Bit 0: ORER	Description
0	Reception in progress, or reception has ended normally* ¹ (Initial value) [Clearing conditions] <ul style="list-style-type: none"> • Power-on reset or manual reset • When 0 is written to ORER after reading ORER = 1
1	An overrun error occurred during reception* ² [Setting condition] When the next serial reception is completed while the receive FIFO is full

Notes: *1 The ORER flag is not affected and retains its previous state when the RE bit in SCSCR2 is cleared to 0.

*2 The receive data prior to the overrun error is retained in SCFRDR2, and the data received subsequently is lost. Serial reception cannot be continued while the ORER flag is set to 1.

16.3 Operation

16.3.1 Overview

The SCIF can carry out serial communication in asynchronous mode, in which synchronization is achieved character by character. See section 15.3.2, Operation in Asynchronous Mode, for details.

Sixteen-stage FIFO buffers are provided for both transmission and reception, reducing the CPU overhead and enabling fast, continuous communication to be performed. $\overline{\text{RTS}}_2$ and $\overline{\text{CTS}}_2$ signals are also provided as modem control signals.

The transmission format is selected using the serial mode register (SCSMR2), as shown in table 16.3. The SCIF clock source is determined by the CKE1 bit in the serial control register (SCSCR2), as shown in table 16.4.

- Data length: Choice of 7 or 8 bits
- Choice of parity addition and addition of 1 or 2 stop bits (the combination of these parameters determines the transfer format and character length)
- Detection of framing errors, parity errors, receive-FIFO-data-full state, overrun errors, receive-data-ready state, and breaks, during reception
- Indication of the number of data bytes stored in the transmit and receive FIFO registers
- Choice of internal or external clock as SCIF clock source

When internal clock is selected: The SCIF operates on the baud rate generator clock, and can output a clock with a frequency of 16 times the bit rate.

When external clock is selected: A clock with a frequency of 16 times the bit rate must be input (the on-chip baud rate generator is not used).

Table 16.3 SCSMR2 Settings for Serial Transfer Format Selection

SCSMR2 Settings			SCIF Transfer Format				
Bit 6: CHR	Bit 5: PE	Bit 3: STOP	Mode	Data Length	Multiprocessor Bit	Parity Bit	Stop Bit Length
0	0	0	Asynchronous mode	8-bit data	No	No	1 bit
		1					2 bits
	1	0				Yes	1 bit
		1				2 bits	
1	0	0	Asynchronous mode	7-bit data	No	No	1 bit
		1					2 bits
	1	0				Yes	1 bit
		1				2 bits	

Table 16.4 SCSCR2 Settings for SCIF Clock Source Selection

SCSCR2 Setting		SCIF Transmit/Receive Clock	
Bit 1: CKE1	Mode	Clock Source	SCK2 Pin Function
0	Asynchronous mode	Internal	SCIF does not use SCK2 pin
1		External	Inputs clock with frequency of 16 times the bit rate

16.3.2 Serial Operation

Transmit/Receive Format

Table 16.5 shows the transmit/receive formats that can be used. Any of 8 transfer formats can be selected according to the SCSMR2 settings.

Table 16.5 Serial Transmit/Receive Formats

SCSMR2 Settings			Serial Transmit/Receive Format and Frame Length												
CHR	PE	STOP	1	2	3	4	5	6	7	8	9	10	11	12	
0	0	0	S	8-bit data								STOP			
0	0	1	S	8-bit data								STOP	STOP		
0	1	0	S	8-bit data								P	STOP		
0	1	1	S	8-bit data								P	STOP	STOP	
1	0	0	S	7-bit data							STOP				
1	0	1	S	7-bit data							STOP	STOP			
1	1	0	S	7-bit data							P	STOP			
1	1	1	S	7-bit data							P	STOP	STOP		

S: Start bit
 STOP: Stop bit
 P: Parity bit

Clock

Either an internal clock generated by the on-chip baud rate generator or an external clock input at the SCK2 pin can be selected as the SCIF's serial clock, according to the setting of the CKE1 bit in SCSCR2. For details of SCIF clock source selection, see table 16.4.

When an external clock is input at the SCK2 pin, the clock frequency should be 16 times the bit rate used.

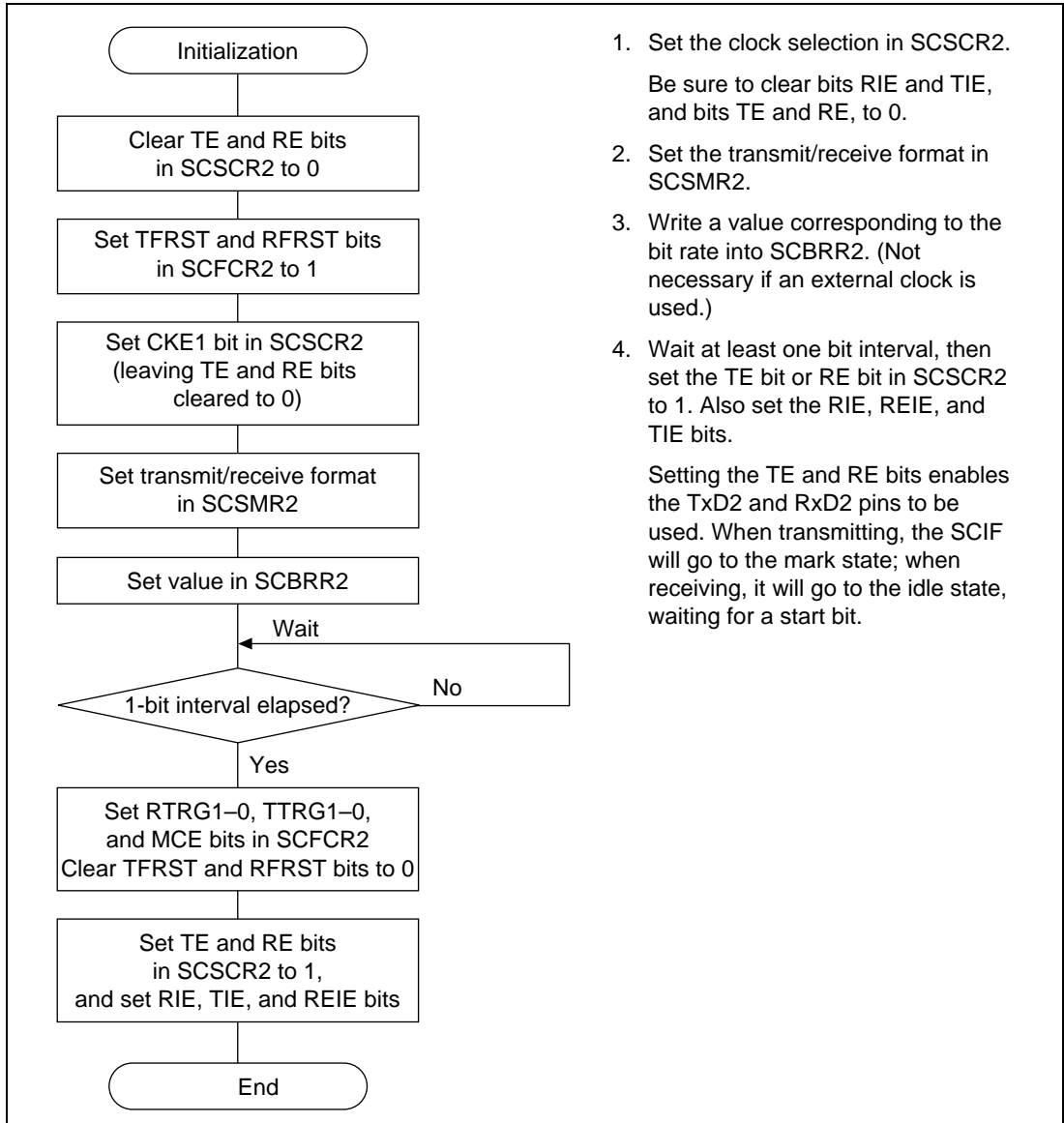
Data Transfer Operations

SCIF Initialization: Before transmitting and receiving data, it is necessary to clear the TE and RE bits in SCSCR2 to 0, then initialize the SCIF as described below.

When the transfer format, etc., is changed, the TE and RE bits must be cleared to 0 before making the change using the following procedure. When the TE bit is cleared to 0, SCTSR2 is initialized. Note that clearing the TE and RE bits to 0 does not change the contents of SCFSR2, SCFTDR2, or SCFRDR2. The TE bit should be cleared to 0 after all transmit data has been sent and the TEND flag in SCFSR2 has been set. TEND can also be cleared to 0 during transmission, but the data being transmitted will go to the mark state after the clearance. Before setting TE again to start transmission, the TFRST bit in SCFCR2 should first be set to 1 to reset SCFTDR2.

When an external clock is used the clock should not be stopped during operation, including initialization, since operation will be unreliable in this case.

Figure 16.6 shows a sample SCIF initialization flowchart.



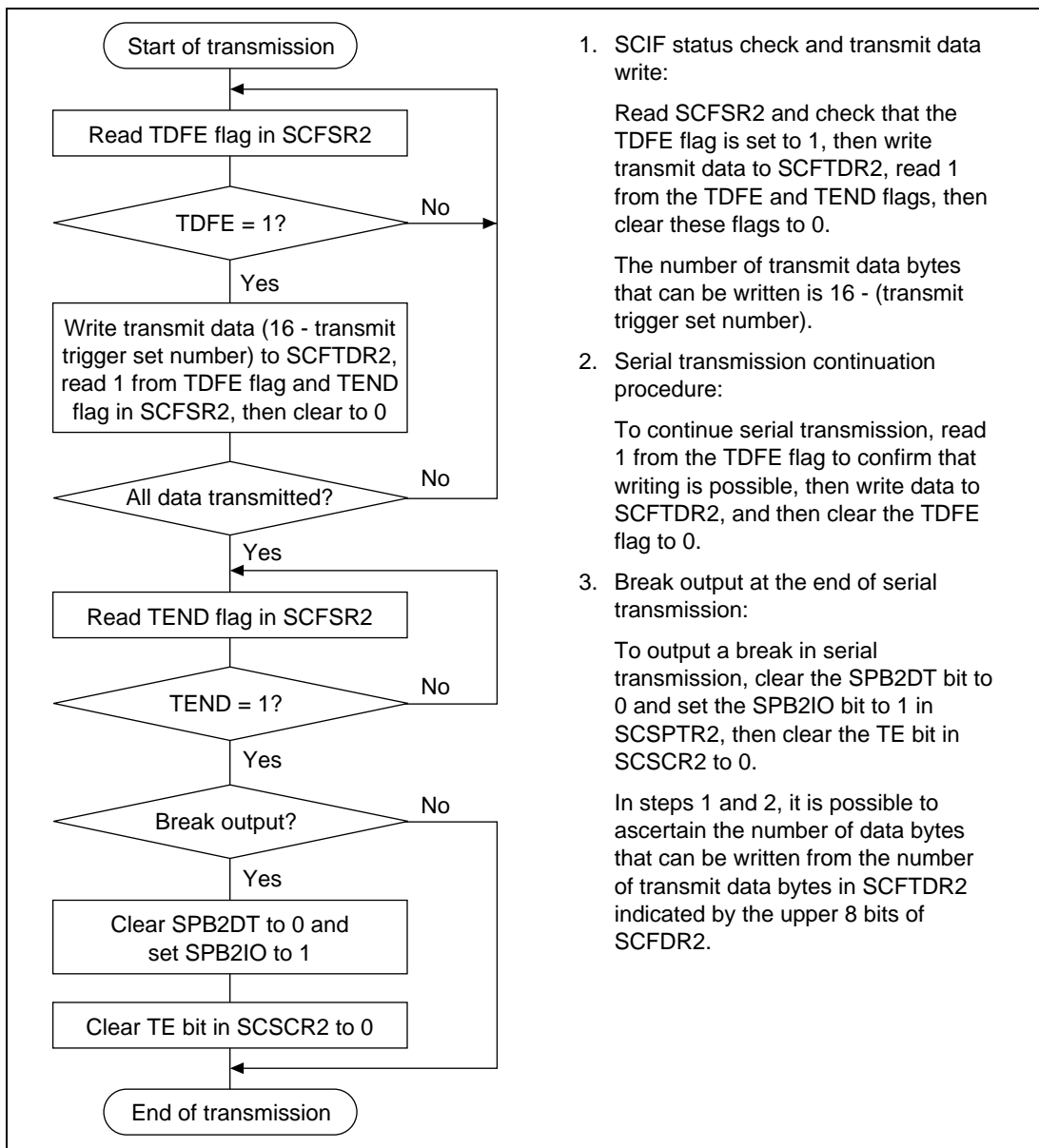
1. Set the clock selection in SCSCR2.
Be sure to clear bits RIE and TIE, and bits TE and RE, to 0.
2. Set the transmit/receive format in SCSMR2.
3. Write a value corresponding to the bit rate into SCBRR2. (Not necessary if an external clock is used.)
4. Wait at least one bit interval, then set the TE bit or RE bit in SCSCR2 to 1. Also set the RIE, REIE, and TIE bits.

Setting the TE and RE bits enables the TxD2 and RxD2 pins to be used. When transmitting, the SCIF will go to the mark state; when receiving, it will go to the idle state, waiting for a start bit.

Figure 16.6 Sample SCIF Initialization Flowchart

Serial Data Transmission: Figure 16.7 shows a sample flowchart for serial transmission.

Use the following procedure for serial data transmission after enabling the SCIF for transmission.



1. SCIF status check and transmit data write:

Read SCFSR2 and check that the TDFE flag is set to 1, then write transmit data to SCFTDR2, read 1 from the TDFE and TEND flags, then clear these flags to 0.

The number of transmit data bytes that can be written is 16 - (transmit trigger set number).

2. Serial transmission continuation procedure:

To continue serial transmission, read 1 from the TDFE flag to confirm that writing is possible, then write data to SCFTDR2, and then clear the TDFE flag to 0.

3. Break output at the end of serial transmission:

To output a break in serial transmission, clear the SPB2DT bit to 0 and set the SPB2IO bit to 1 in SCSPTR2, then clear the TE bit in SCSCR2 to 0.

In steps 1 and 2, it is possible to ascertain the number of data bytes that can be written from the number of transmit data bytes in SCFTDR2 indicated by the upper 8 bits of SCFDR2.

Figure 16.7 Sample Serial Transmission Flowchart

In serial transmission, the SCIF operates as described below.

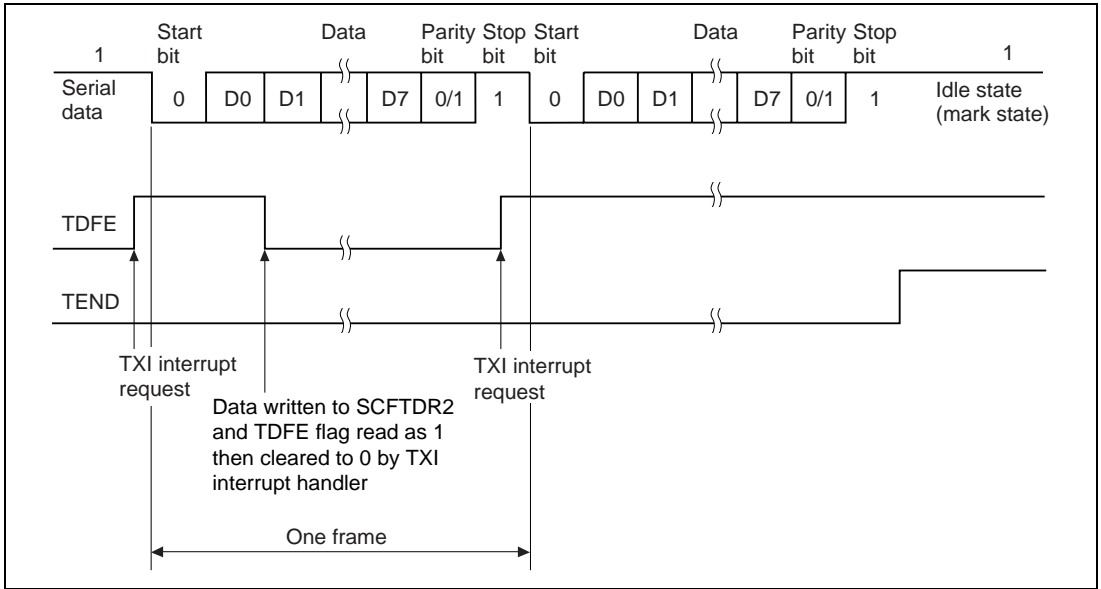
1. When data is written into SCFTDR2, the SCIF transfers the data from SCFTDR2 to SCTSR2 and starts transmitting. Confirm that the TDFE flag in the serial status register (SCFSR2) is set to 1 before writing transmit data to SCFTDR2. The number of data bytes that can be written is at least 16 - transmit trigger setting.
2. When data is transferred from SCFTDR2 to SCTSR2 and transmission is started, consecutive transmit operations are performed until there is no transmit data left in SCFTDR2. When the number of transmit data bytes in SCFTDR2 falls to or below the transmit trigger number set in the FIFO control register (SCFCR2), the TDFE flag is set. If the TIE bit in SCSCR2 is set to 1 at this time, a transmit-FIFO-data-empty interrupt (TXI) request is generated.

The serial transmit data is sent from the TxD2 pin in the following order.

- a. Start bit: One 0-bit is output.
 - b. Transmit data: 8-bit or 7-bit data is output in LSB-first order.
 - c. Parity bit: One parity bit (even or odd parity) is output. (A format in which a parity bit is not output can also be selected.)
 - d. Stop bit(s): One or two 1-bits (stop bits) are output.
 - e. Mark state: 1 is output continuously until the start bit that starts the next transmission is sent.
3. The SCIF checks the SCFTDR2 transmit data at the timing for sending the stop bit. If data is present, the data is transferred from SCFTDR2 to SCTSR2, the stop bit is sent, and then serial transmission of the next frame is started.

If there is no transmit data, the TEND flag in SCFSR2 is set to 1, the stop bit is sent, and then the line goes to the mark state in which 1 is output.

Figure 16.8 shows an example of the operation for transmission in asynchronous mode.



**Figure 16.8 Example of Transmit Operation
(Example with 8-Bit Data, Parity, One Stop Bit)**

- When modem control is enabled, transmission can be stopped and restarted in accordance with the $\overline{CTS2}$ input value. When $\overline{CTS2}$ is set to 1, if transmission is in progress, the line goes to the mark state after transmission of one frame. When $\overline{CTS2}$ is set to 0, the next transmit data is output starting from the start bit.

Figure 16.9 shows an example of the operation when modem control is used.

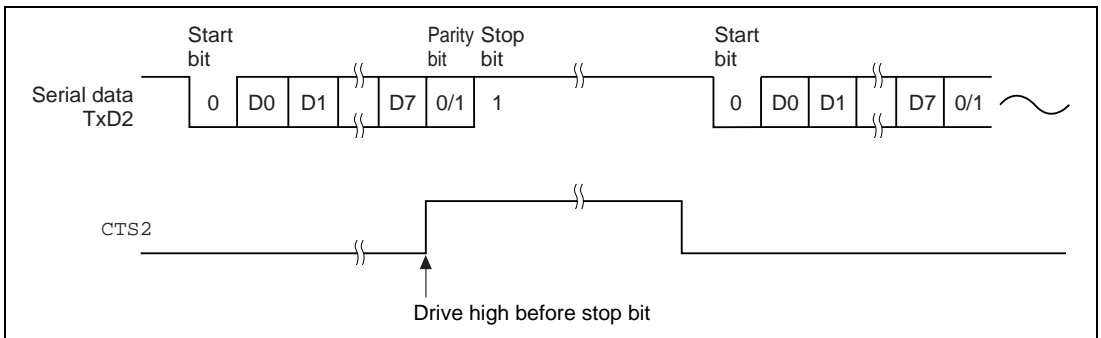
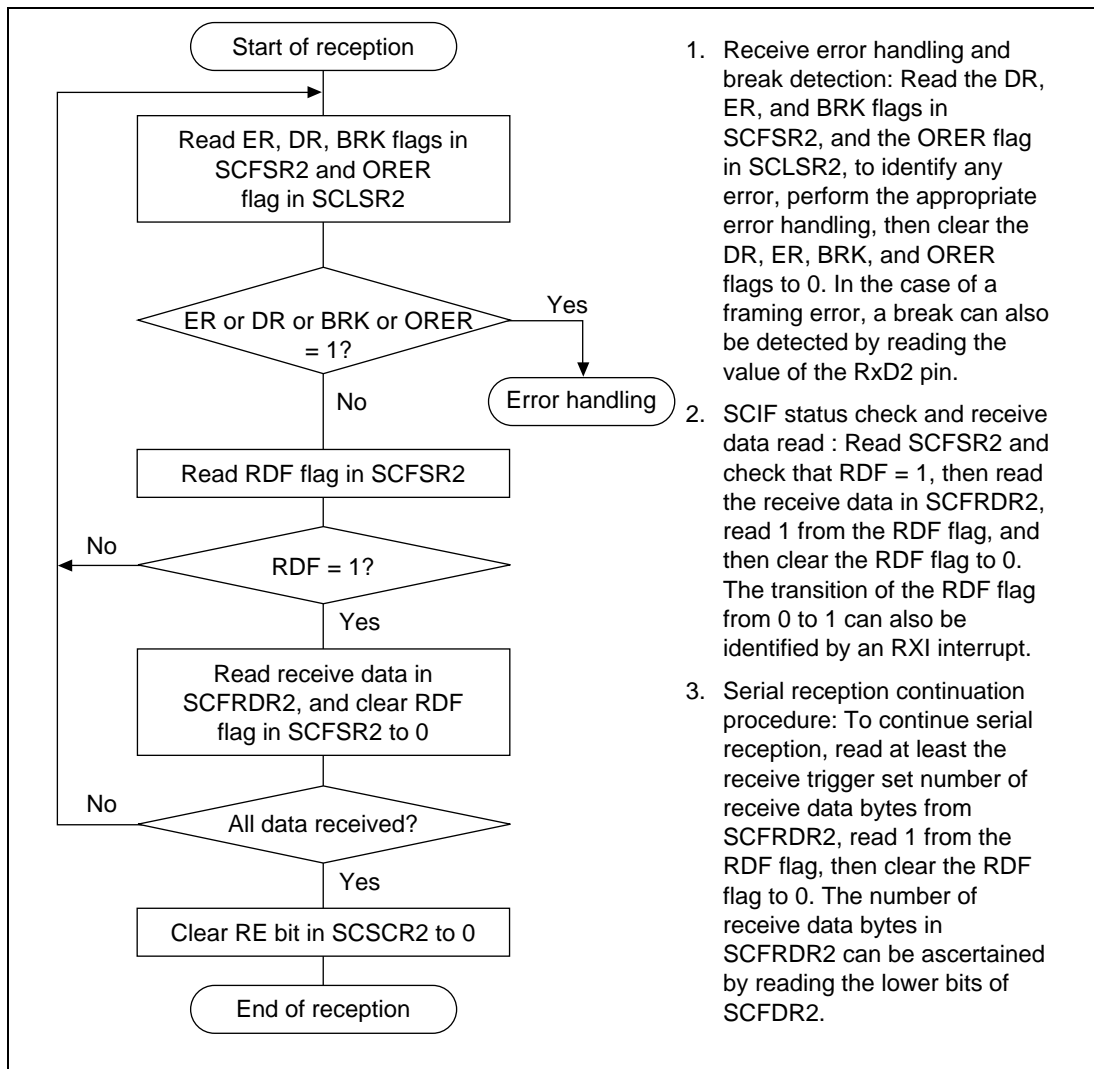


Figure 16.9 Example of Operation Using Modem Control ($\overline{CTS2}$)

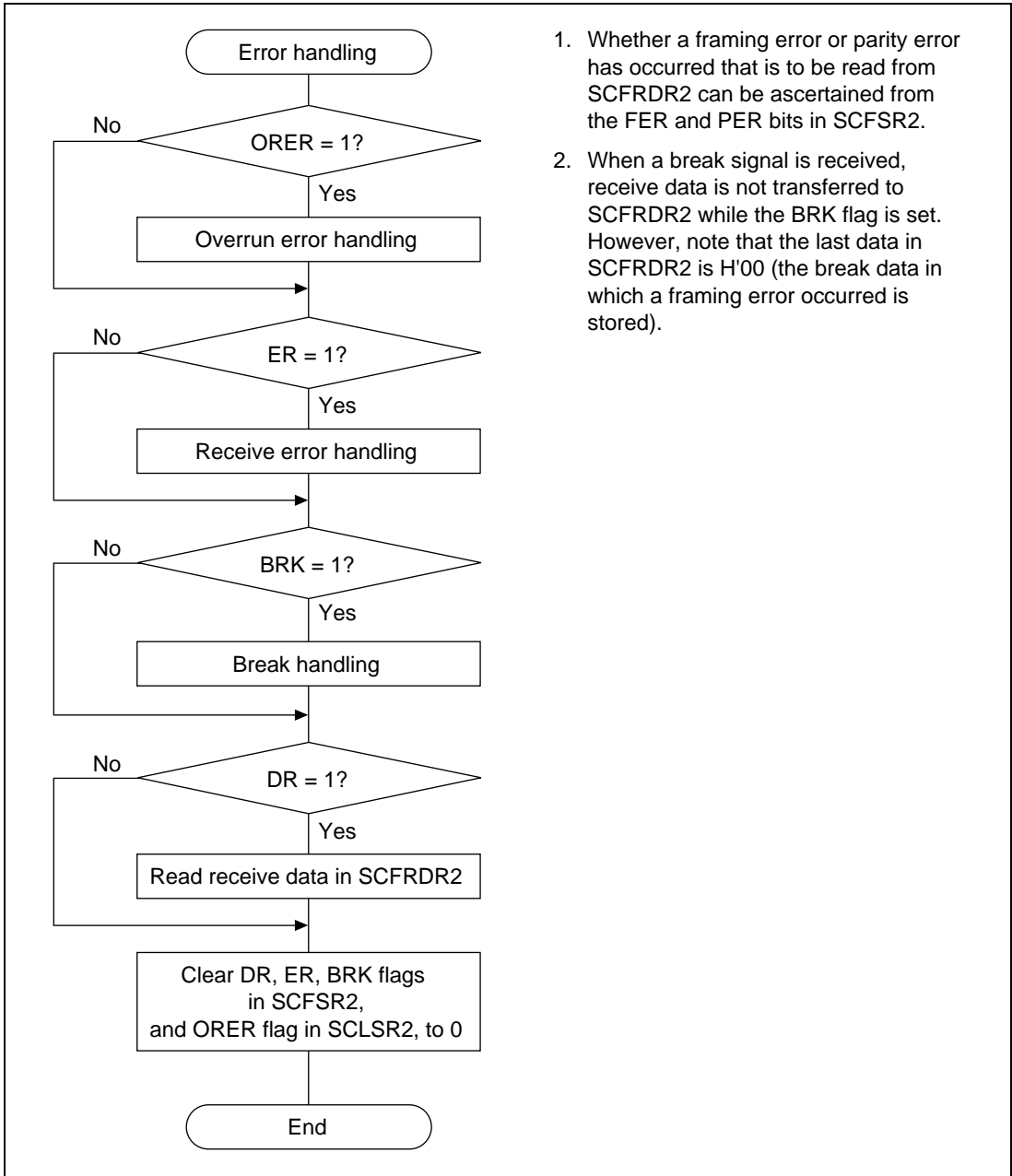
Serial Data Reception: Figure 16.10 shows a sample flowchart for serial reception.

Use the following procedure for serial data reception after enabling the SCIF for reception.



1. Receive error handling and break detection: Read the DR, ER, and BRK flags in SCFSR2, and the ORER flag in SCLSR2, to identify any error, perform the appropriate error handling, then clear the DR, ER, BRK, and ORER flags to 0. In the case of a framing error, a break can also be detected by reading the value of the RxD2 pin.
2. SCIF status check and receive data read : Read SCFSR2 and check that RDF = 1, then read the receive data in SCFRDR2, read 1 from the RDF flag, and then clear the RDF flag to 0. The transition of the RDF flag from 0 to 1 can also be identified by an RXI interrupt.
3. Serial reception continuation procedure: To continue serial reception, read at least the receive trigger set number of receive data bytes from SCFRDR2, read 1 from the RDF flag, then clear the RDF flag to 0. The number of receive data bytes in SCFRDR2 can be ascertained by reading the lower bits of SCFDR2.

Figure 16.10 Sample Serial Reception Flowchart (1)



1. Whether a framing error or parity error has occurred that is to be read from SCFRDR2 can be ascertained from the FER and PER bits in SCFSR2.
2. When a break signal is received, receive data is not transferred to SCFRDR2 while the BRK flag is set. However, note that the last data in SCFRDR2 is H'00 (the break data in which a framing error occurred is stored).

Figure 16.10 Sample Serial Reception Flowchart (2)

In serial reception, the SCIF operates as described below.

1. The SCIF monitors the transmission line, and if a 0 start bit is detected, performs internal synchronization and starts reception.
2. The received data is stored in SCRSR2 in LSB-to-MSB order.
3. The parity bit and stop bit are received.

After receiving these bits, the SCIF carries out the following checks.

- a. Stop bit check: The SCIF checks whether the stop bit is 1. If there are two stop bits, only the first is checked.
- b. The SCIF checks whether receive data can be transferred from the receive shift register (SCRSR2) to SCFRDR2.
- c. Overrun error check: The SCIF checks that the ORER flag is 0, indicating that no overrun error has occurred.
- d. Break check: The SCIF checks that the BRK flag is 0, indicating that the break state is not set.

If b, c, and d checks are passed, the receive data is stored in SCFRDR2.

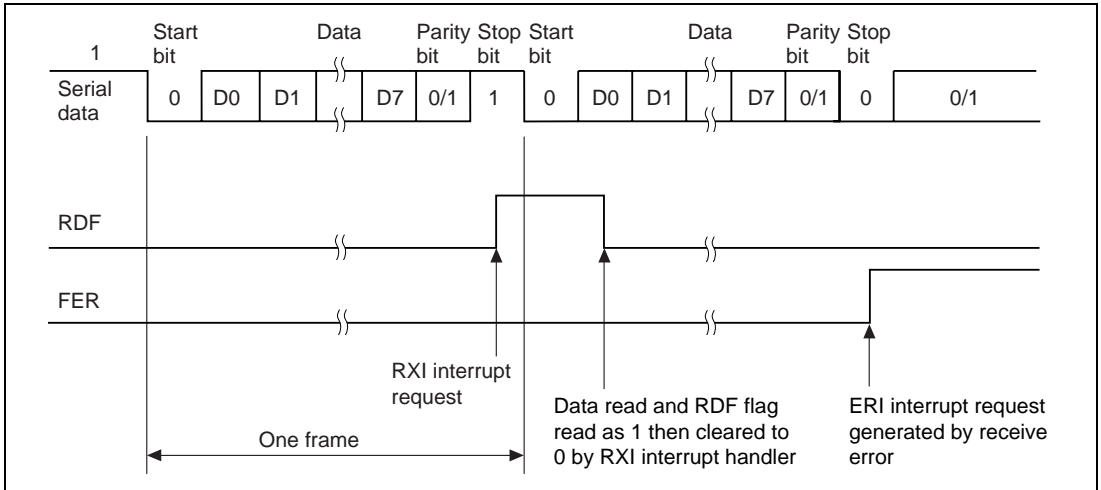
Note: Reception continues when parity error, framing error occurs.

4. If the RIE bit in SCSCR2 is set to 1 when the RDF or DR flag changes to 1, a receive-FIFO-data-full interrupt (RXI) request is generated.

If the RIE bit or REIE bit in SCSCR2 is set to 1 when the ER flag changes to 1, a receive-error interrupt (ERI) request is generated.

If the RIE bit or REIE bit in SCSCR2 is set to 1 when the BRK or ORER flag changes to 1, a break reception interrupt (BRI) request is generated.

Figure 16.11 shows an example of the operation for reception in asynchronous mode.



**Figure 16.11 Example of SCIF Receive Operation
(Example with 8-Bit Data, Parity, One Stop Bit)**

5. When modem control is enabled, the $\overline{\text{RTS2}}$ signal is output when SCFRDR2 is empty. When $\overline{\text{RTS2}}$ is 0, reception is possible.

SH7750: When $\overline{\text{RTS2}}$ is 1, this indicates that SCFRDR2 contains 15 or more bytes of data.

SH7750S, SH7750R: When $\overline{\text{RTS2}}$ is 1, this indicates that SCFRDR2 contains a number of data bytes equal to or greater than the $\overline{\text{RTS2}}$ output active trigger set number. The $\overline{\text{RTS2}}$ output active trigger value is specified by bits 10 to 8 in the FIFO control register (SCFCR2), described in section 16.2.9, FIFO control register (SCFCR2).

$\overline{\text{RTS2}}$ also becomes 1 when bit 4 (RE) in SCSCR2 is 0.

Figure 16.12 shows an example of the operation when modem control is used.

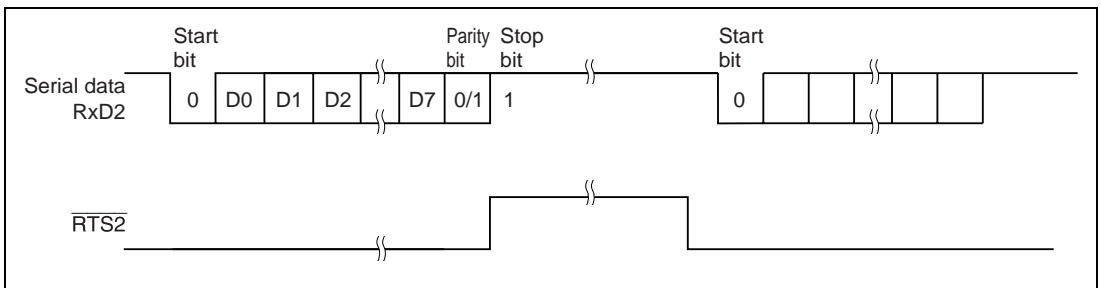


Figure 16.12 Example of Operation Using Modem Control ($\overline{\text{RTS2}}$)

16.4 SCIF Interrupt Sources and the DMAC

The SCIF has four interrupt sources: transmit-FIFO-data-empty interrupt (TXI) request, receive-error interrupt (ERI) request, receive-FIFO-data-full interrupt (RXI) request, and break interrupt (BRI) request.

Table 16.6 shows the interrupt sources and their order of priority. The interrupt sources are enabled or disabled by means of the TIE, RIE, and REIE bits in SCSCR2. A separate interrupt request is sent to the interrupt controller for each of these interrupt sources.

When transmission/reception is carried out using the DMAC, output of interrupt requests to the interrupt controller can be inhibited by clearing the RIE bit in SCSCR2 to 0. By setting the REIE bit to 1 while the RIE bit is cleared to 0, it is possible to output ERI and BRI interrupt requests, but not RXI interrupt requests.

When the TDFE flag in the serial status register (SCFSR2) is set to 1, a transmit-FIFO-data-empty request is generated separately from the interrupt request. A transmit-FIFO-data-empty request can activate the DMAC to perform data transfer.

When the RDF flag or DR flag in SCFSR2 is set to 1, a receive-FIFO-data-full request is generated separately from the interrupt request. A receive-FIFO-data-full request can activate the DMAC to perform data transfer.

When using the DMAC for transmission/reception, set and enable the DMAC before making the SCIF settings. See section 14, Direct Memory Access Controller (DMAC), for details of the DMAC setting procedure.

When the BRK flag in SCFSR2 or the ORER flag in the line status register (SCLSR2) is set to 1, a BRI interrupt request is generated.

The TXI interrupt indicates that transmit data can be written, and the RXI interrupt indicates that there is receive data in SCFRDR2.

Table 16.6 SCIF Interrupt Sources

Interrupt Source	Description	DMAC Activation	Priority on Reset Release
ERI	Interrupt initiated by receive error flag (ER)	Not possible	High
RXI	Interrupt initiated by receive FIFO data full flag (RDF) or receive data ready flag (DR)	Possible	↑ ↓
BRI	Interrupt initiated by break flag (BRK) or overrun error flag (ORER)	Not possible	
TXI	Interrupt initiated by transmit FIFO data empty flag (TDFE)	Possible	Low

See section 5, Exceptions, for priorities and the relationship with non-SCIF interrupts.

16.5 Usage Notes

Note the following when using the SCIF.

SCFTDR2 Writing and the TDFE Flag: The TDFE flag in the serial status register (SCFSR2) is set when the number of transmit data bytes written in the transmit FIFO data register (SCFTDR2) has fallen to or below the transmit trigger number set by bits TTRG1 and TTRG0 in the FIFO control register (SCFCR2). After TDFE is set, transmit data up to the number of empty bytes in SCFTDR2 can be written, allowing efficient continuous transmission.

However, if the number of data bytes written in SCFTDR2 is equal to or less than the transmit trigger number, the TDFE flag will be set to 1 again after being read as 1 and cleared to 0. TDFE clearing should therefore be carried out when SCFTDR2 contains more than the transmit trigger number of transmit data bytes.

The number of transmit data bytes in SCFTDR2 can be found from the upper 8 bits of the FIFO data count register (SCFDR2).

SCFRDR2 Reading and the RDF Flag: The RDF flag in the serial status register (SCFSR2) is set when the number of receive data bytes in the receive FIFO data register (SCFRDR2) has become equal to or greater than the receive trigger number set by bits RTRG1 and RTRG0 in the FIFO control register (SCFCR2). After RDF is set, receive data equivalent to the trigger number can be read from SCFRDR2, allowing efficient continuous reception.

However, if the number of data bytes in SCFRDR2 is equal to or greater than the trigger number, the RDF flag will be set to 1 again if it is cleared to 0. RDF should therefore be cleared to 0 after being read as 1 after all the receive data has been read.

The number of receive data bytes in SCFRDR2 can be found from the lower 8 bits of the FIFO data count register (SCFDR2).

Break Detection and Processing: Break signals can be detected by reading the RxD2 pin directly when a framing error (FER) is detected. In the break state the input from the RxD2 pin consists of all 0s, so the FER flag is set and the parity error flag (PER) may also be set.

Although the SCIF stops transferring receive data to SCFRDR2 after receiving a break, the receive operation continues.

Sending a Break Signal: The input/output condition and level of the TxD2 pin are determined by bits SPB2IO and SPB2DT in the serial port register (SCSPTR2). This feature can be used to send a break signal.

After the serial transmitter is initialized, the TxD2 pin function is not selected and the value of the SPB2DT bit substitutes for the mark state until the TE bit is set to 1 (i.e. transmission is enabled). The SPB2IO and SPB2DT bits should therefore be set to 1 (designating output and high level) beforehand.

To send a break signal during serial transmission, clear the SPB2DT bit to 0 (designating low level), then clear the TE bit to 0 (halting transmission). When the TE bit is cleared to 0, the transmitter is initialized, regardless of its current state, and 0 is output from the TxD2 pin.

Receive Data Sampling Timing and Receive Margin: The SCIF operates on a base clock with a frequency of 16 times the transfer rate. In reception, the SCIF synchronizes internally with the fall of the start bit, which it samples on the base clock. Receive data is latched at the rising edge of the eighth base clock pulse. The timing is shown in figure 16.13.

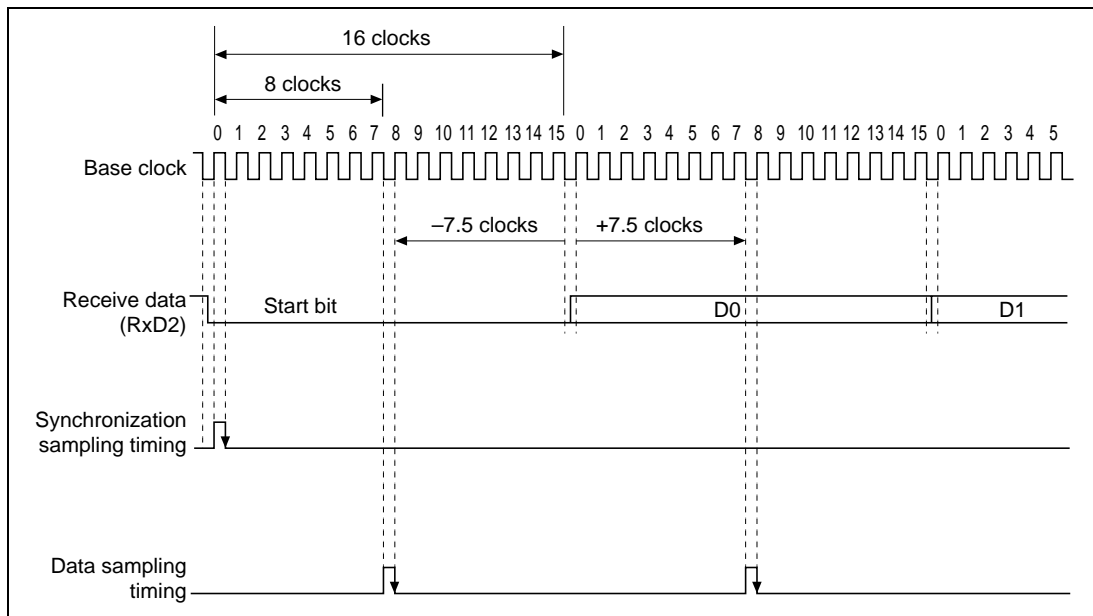


Figure 16.13 Receive Data Sampling Timing in Asynchronous Mode

The receive margin in asynchronous mode can therefore be expressed as shown in equation (1).

$$M = \left| \left(0.5 - \frac{1}{2N} \right) - (L - 0.5) F - \frac{|D - 0.5|}{N} (1 + F) \right| \times 100\% \dots\dots\dots (1)$$

- M: Receive margin (%)
- N: Ratio of clock frequency to bit rate (N = 16)
- D: Clock duty cycle (D = 0 to 1.0)
- L: Frame length (L = 9 to 12)
- F: Absolute deviation of clock frequency

From equation (1), if $F = 0$ and $D = 0.5$, the receive margin is 46.875%, as given by equation (2).

When $D = 0.5$ and $F = 0$:

$$M = (0.5 - 1 / (2 \times 16)) \times 100\% = 46.875\% \dots\dots\dots (2)$$

This is a theoretical value. A reasonable margin to allow in system designs is 20% to 30%.

SCK2/MRESET: As the manual reset pin is multiplexed with the SCK2 pin, a manual reset must not be executed while the SCIF is operating in external clock mode.

When Using the DMAC: When using the DMAC for transmission/reception, inhibit output of RXI and TXI interrupt requests to the interrupt controller. If interrupt request output is enabled, interrupt requests to the interrupt controller will be cleared by the DMAC without regard to the interrupt handler.

Serial Ports: Note that, when the SCIF pin value is read using a serial port, the value read will be the value two peripheral clock cycles earlier.

Overflow Error Flag (SH7750): SCIF overflow error flag is not set in the case that overflow error and framing error occurred simultaneously in receiving data, that means 17th byte data which overflow was accompanying with framing error. In such case, only SCFSR2. ER flag which shows occurrence of framing error is set. Receive FIFO stores data received before the overflow and does not store (i. e. lose) overflow data. SCIF has no bit which corresponds to SCFSR2. FER for the lost data.

In addition to the overflow error handling software routine, exception handler should check co-occurrence of overflow error when a framing error is occurred and when a co-occurrence is found, it should handle also overflow error (When (i) a overflow error solely occurred without accompanying with other receive error and (ii) when a parity error is accompanied with overflow error, usual overflow error handling can be used. Overflow error handling should rather be done primarily).

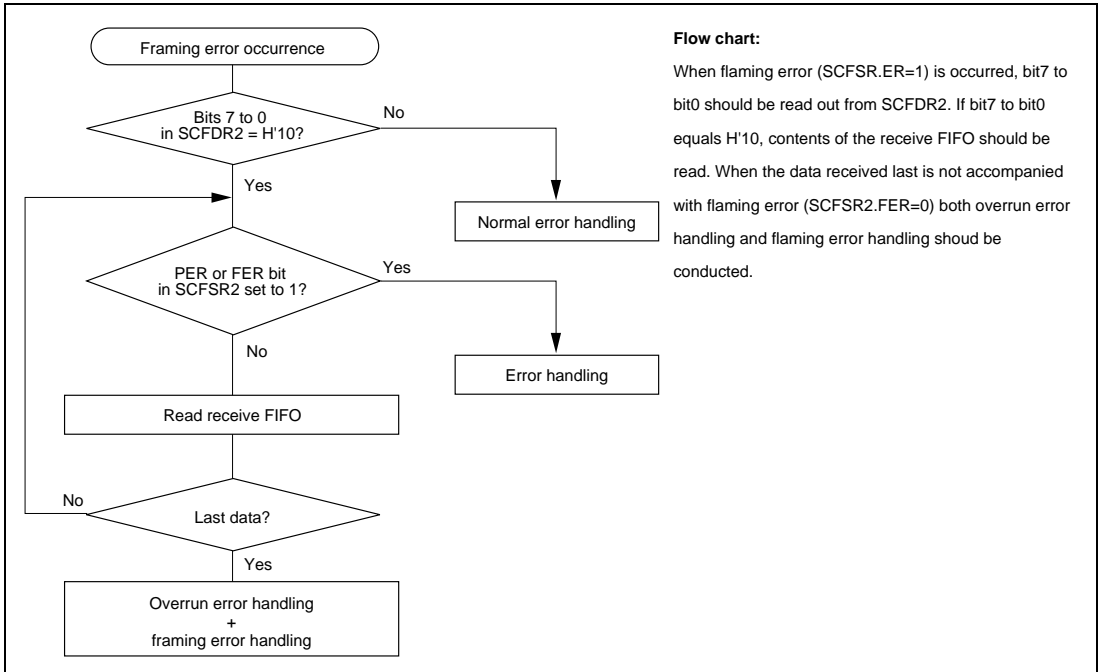


Figure 16.14 Overrun Error Flag

Section 17 Smart Card Interface

17.1 Overview

The subset of the IC card (smart card) interface conforming to ISO/IEC7816-3 (Identification Card) is supported as a serial communication interface (SCI) extension function.

Switching between the normal serial communication interface and the smart card interface is carried out by means of a register setting.

17.1.1 Features

Features of the smart card interface are listed below.

- Asynchronous mode
 - Data length: 8 bits
 - Parity bit generation and checking
 - Transmission of error signal (parity error) in receive mode
 - Error signal detection and automatic data retransmission in transmit mode
 - Direct convention and inverse convention both supported
- On-chip baud rate generator allows any bit rate to be selected
- Three interrupt sources

There are three interrupt sources—transmit-data-empty, receive-data-full, and transmit/receive error—that can issue requests independently.

The transmit-data-empty interrupt and receive-data-full interrupt can activate the DMA controller (DMAC) to execute data transfer.

17.1.2 Block Diagram

Figure 17.1 shows a block diagram of the smart card interface.

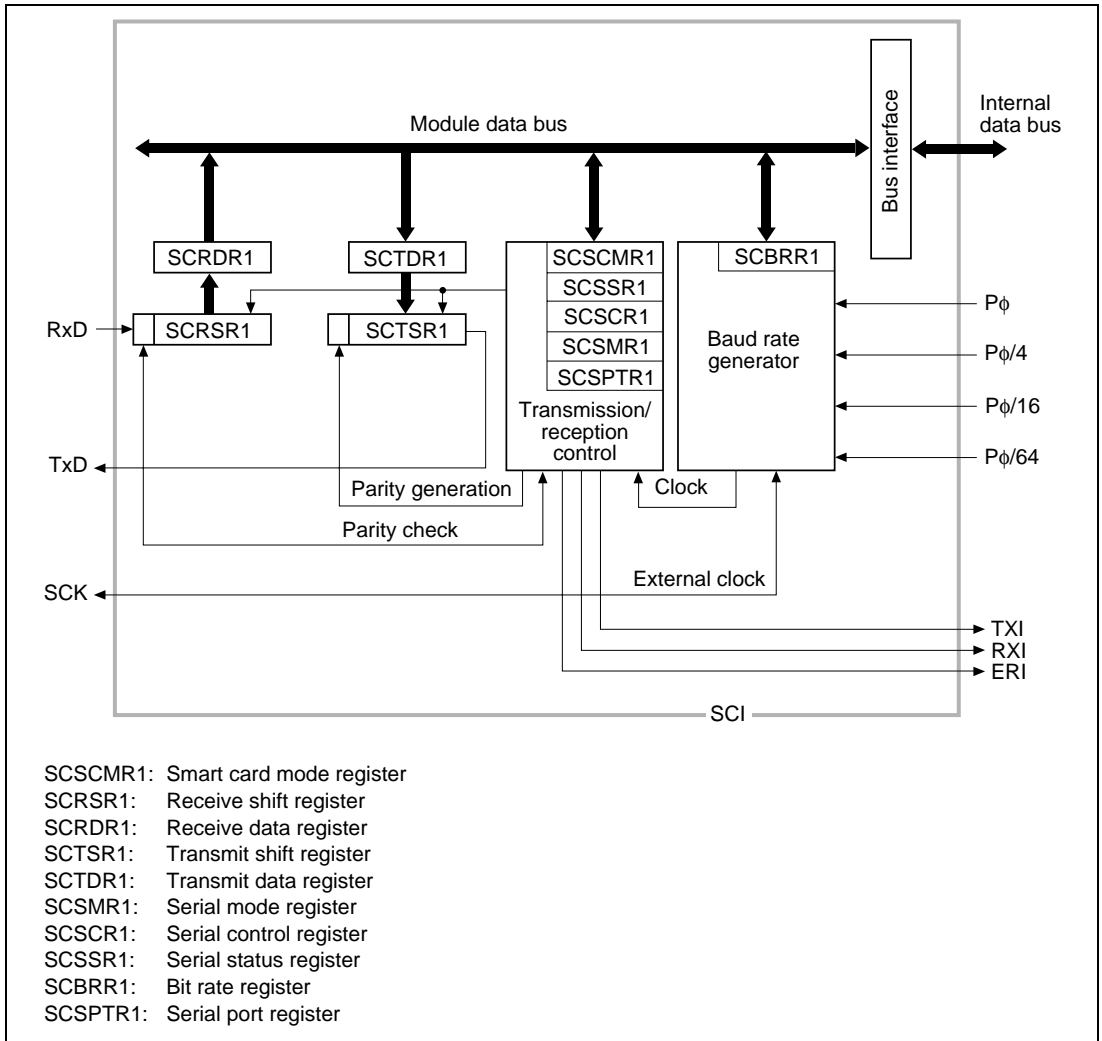


Figure 17.1 Block Diagram of Smart Card Interface

17.1.3 Pin Configuration

Table 17.1 shows the smart card interface pin configuration.

Table 17.1 Smart Card Interface Pins

Pin Name	Abbreviation	I/O	Function
Serial clock pin	MD0/SCK	I/O	Clock input/output
Receive data pin	RxD	Input	Receive data input
Transmit data pin	MD7/TxD	Output	Transmit data output

17.1.4 Register Configuration

The smart card interface has the internal registers shown in table 17.2. Details of the SCBRR1, SCTDR1, SCRDR1, and SCSPTR1 registers are the same as for the normal SCI function: see the register descriptions in section 15, Serial Communication Interface (SCI).

With the exception of the serial port register, the smart card interface registers are initialized in standby mode and in the module standby state as well as by a power-on reset or manual reset. When recovering from standby mode or the module standby state, the registers must be set again.

Table 17.2 Smart Card Interface Registers

Name	Abbreviation	R/W	Initial Value	P4 Address	Area 7 Address	Access Size
Serial mode register	SCSMR1	R/W	H'00	H'FFE00000	H'1FE00000	8
Bit rate register	SCBRR1	R/W	H'FF	H'FFE00004	H'1FE00004	8
Serial control register	SCSCR1	R/W	H'00	H'FFE00008	H'1FE00008	8
Transmit data register	SCTDR1	R/W	H'FF	H'FFE0000C	H'1FE0000C	8
Serial status register	SCSSR1	R/(W)*1	H'84	H'FFE00010	H'1FE00010	8
Receive data register	SCRDR1	R	H'00	H'FFE00014	H'1FE00014	8
Smart card mode register	SCSCMR1	R/W	H'00	H'FFE00018	H'1FE00018	8
Serial port register	SCSPTR1	R/W	H'00*2	H'FFE0001C	H'1FE0001C	8

Notes: *1 Only 0 can be written, to clear flags.

*2 The value of bits 2 and 0 is undefined.

17.2 Register Descriptions

Only registers that have been added, and bit functions that have been modified, for the smart card interface are described here.

17.2.1 Smart Card Mode Register (SCSCMR1)

SCSCMR1 is an 8-bit readable/writable register that selects the smart card interface function. SCSCMR1 is initialized to H'00 by a power-on reset or manual reset, in standby mode, and in the module standby state.

Bit:	7	6	5	4	3	2	1	0
	—	—	—	—	SDIR	SINV	—	SMIF
Initial value:	—	—	—	—	0	0	—	0
R/W:	—	—	—	—	R/W	R/W	—	R/W

Bits 7 to 4 and 1—Reserved: These bits are always read as 0, and should only be written with 0.

Bit 3—Smart Card Data Transfer Direction (SDIR): Selects the serial/parallel conversion format.

Bit 3: SDIR	Description
0	SCTDR1 contents are transmitted LSB-first (Initial value) Receive data is stored in SCRDR1 LSB-first
1	SCTDR1 contents are transmitted MSB-first Receive data is stored in SCRDR1 MSB-first

Bit 2—Smart Card Data Invert (SINV): Specifies inversion of the data logic level. This function is used together with the bit 3 function for communication with an inverse convention card. The SINV bit does not affect the logic level of the parity bit. For parity-related setting procedures, see section 17.3.4, Register Settings.

Bit 2: SINV	Description
0	SCTDR1 contents are transmitted as they are (Initial value) Receive data is stored in SCRDR1 as it is
1	SCTDR1 contents are inverted before being transmitted Receive data is stored in SCRDR1 in inverted form

Bit 0—Smart Card Interface Mode Select (SMIF): Enables or disables the smart card interface function.

Bit 0: SMIF	Description
0	Smart card interface function is disabled (Initial value)
1	Smart card interface function is enabled

17.2.2 Serial Mode Register (SCSMR1)

Bit 7 of SCSMR1 has a different function in smart card interface mode.

Bit:	7	6	5	4	3	2	1	0
	GM(C/ \bar{A})	CHR	PE	O/ \bar{E}	STOP	MP	CKS1	CKS0
Initial value:	0	0	0	0	0	0	0	0
R/W:	R/W	R/W	R/W	R/W	R/W	R/W	R/W	R/W

Bit 7—GSM Mode (GM): Sets the smart card interface function to GSM mode.

With the normal smart card interface, this bit is cleared to 0. Setting this bit to 1 selects GSM mode, an additional mode for controlling the timing for setting the TEND flag that indicates completion of transmission, and the type of clock output used. The details of the additional clock output control mode are specified by the CKE1 and CKE0 bits in the serial control register (SCSCR1). In GSM mode, the pulse width is guaranteed when SCK start/stop specifications are made by CKE1 and CKE0.

Bit 7: GM	Description
0	Normal smart card interface mode operation (Initial value) <ul style="list-style-type: none"> The TEND flag is set 12.5 etu after the beginning of the start bit Clock output on/off control only
1	GSM mode smart card interface mode operation <ul style="list-style-type: none"> The TEND flag is set 11.0 etu after the beginning of the start bit Clock output on/off and fixed-high/fixed-low control (set in SCSCR1)

Note: etu: Elementary time unit (time for transfer of 1 bit)

Bits 6 to 0: Operate in the same way as for the normal SCI. See section 15, Serial Communication Interface (SCI), for details. With the smart card interface, the following settings should be used: CHR = 0, PE = 1, STOP = 1, MP = 0.

17.2.3 Serial Control Register (SCSCR1)

Bits 1 and 0 of SCSCR1 have a different function in smart card interface mode.

Bit:	7	6	5	4	3	2	1	0
	TIE	RIE	TE	RE	—	—	CKE1	CKE0
Initial value:	0	0	0	0	0	0	0	0
R/W:	R/W	R/W	R/W	R/W	R/W	R/W	R/W	R/W

Bits 7 to 4: Operate in the same way as for the normal SCI. See section 15, Serial Communication Interface (SCI), for details.

Bits 3 and 2—Reserved: Not used with the smart card interface.

Bits 1 and 0—Clock Enable 1 and 0 (CKE1, CKE0): These bits specify the function of the SCK pin. In smart card interface mode, an internal clock is always used as the clock source. In smart card interface mode, it is possible to specify a fixed high level or fixed low level for the clock output, in addition to the usual switching between enabling and disabling of the clock output.

GM	CKE1	CKE0	SCK Pin Function
0	0	0	Port I/O pin
		1	Clock output as SCK output pin
	1	0	Invalid setting: must not be used
		1	Invalid setting: must not be used
1	0	0	Output pin with output fixed low
		1	Clock output as output pin
	1	0	Output pin with output fixed high
		1	Clock output as output pin

17.2.4 Serial Status Register (SCSSR1)

Bit 4 of SCSSR1 has a different function in smart card interface mode. Coupled with this, the setting conditions for bit 2 (TEND) are also different.

Bit:	7	6	5	4	3	2	1	0
	TDRE	RDRF	ORER	FER/ ERS	PER	TEND	—	—
Initial value:	1	0	0	0	0	1	0	0
R/W:	R/(W)*	R/(W)*	R/(W)*	R/(W)*	R/(W)*	R	R	R/W

Note: *Only 0 can be written, to clear the flag.

Bits 7 to 5: Operate in the same way as for the normal SCI. See section 15, Serial Communication Interface (SCI), for details.

Bit 4—Error Signal Status (ERS): In smart card interface mode, bit 4 indicates the status of the error signal sent back from the receiving side during transmission. Framing errors are not detected in smart card interface mode.

Bit 4: ERS	Description
0	Normal reception, no error signal (Initial value) [Clearing conditions] <ul style="list-style-type: none"> Power-on reset, manual reset, standby mode, or module standby When 0 is written to ERS after reading ERS = 1
1	An error signal has been sent from the receiving side indicating detection of a parity error [Setting condition] <ul style="list-style-type: none"> When the low level of the error signal is detected

Note: Clearing the TE bit in SCSCR1 to 0 does not affect the ERS flag, which retains its previous state.

Bit 3—Parity Error (PER): Operates in the same way as for the normal SCI. See section 15, Serial Communication Interface (SCI), for details.

Bit 2—Transmit End (TEND): The setting conditions for the TEND flag are as follows.

Bit 2: TEND	Description
0	Transmission in progress [Clearing condition] <ul style="list-style-type: none">When 0 is written to TDRE after reading TDRE = 1
1	Transmission has been ended (Initial value) [Setting conditions] <ul style="list-style-type: none">Power-on reset, manual reset, standby mode, or module standbyWhen the TE bit in SCSCR1 is 0 and the FER/ERS bit is also 0When the GM bit in SCSMR1 is 0, and TDRE = 1 and FER/ERS = 0 (normal transmission) 2.5 etu after transmission of a 1-byte serial characterWhen the GM bit in SCSMR1 is 1, and TDRE = 1 and FER/ERS = 0 (normal transmission) 1.0 etu after transmission of a 1-byte serial character

etu: Elementary Time Unit (time for transfer for 1 bit)

Bits 1 and 0—Reserved: Not used with the smart card interface.

17.3 Operation

17.3.1 Overview

The main functions of the smart card interface are as follows.

- One frame consists of 8-bit data plus a parity bit.
- In transmission, a guard time of at least 2 etu (elementary time unit: the time for transfer of one bit) is left between the end of the parity bit and the start of the next frame.
- If a parity error is detected during reception, a low error signal level is output for a 1-etu period 10.5 etu after the start bit.
- If an error signal is detected during transmission, the same data is transmitted automatically after the elapse of 2 etu or longer.
- Only asynchronous communication is supported; there is no synchronous communication function.

17.3.2 Pin Connections

Figure 17.2 shows a schematic diagram of smart card interface related pin connections.

In communication with an IC card, since both transmission and reception are carried out on a single data transmission line, the TxD pin and RxD pin should be connected outside the chip. The data transmission line should be pulled up on the V_{CC} power supply side with a resistor.

When the clock generated on the smart card interface is used by an IC card, the SCK pin output is input to the CLK pin of the IC card. No connection is needed if the IC card uses an internal clock.

Chip port output is used as the reset signal.

Other pins must normally be connected to the power supply or ground.

Note: If an IC card is not connected, and both TE and RE are set to 1, closed transmission/reception is possible, enabling self-diagnosis to be carried out.

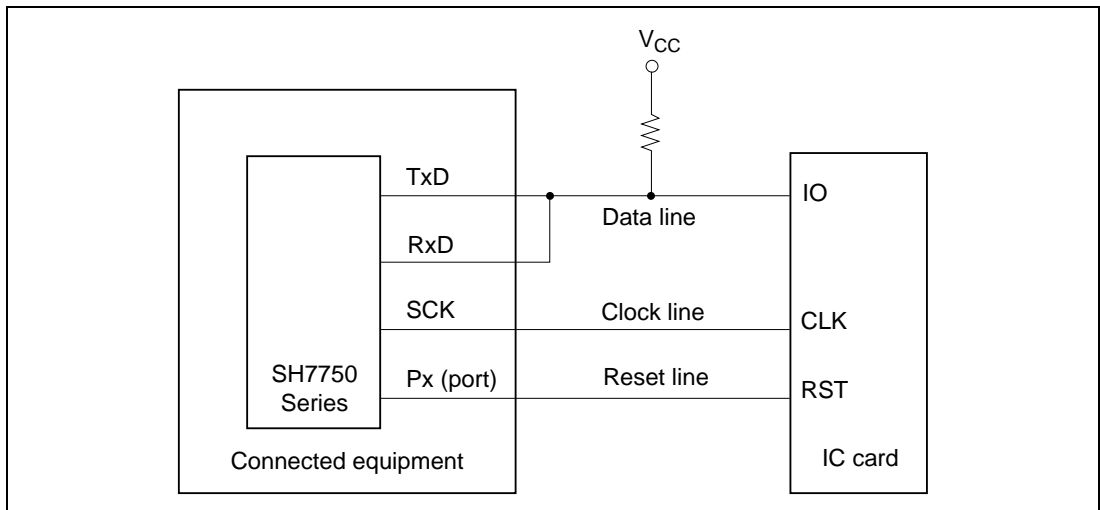


Figure 17.2 Schematic Diagram of Smart Card Interface Pin Connections

17.3.3 Data Format

Figure 17.3 shows the smart card interface data format. In reception in this mode, a parity check is carried out on each frame, and if an error is detected an error signal is sent back to the transmitting side to request retransmission of the data. If an error signal is detected during transmission, the same data is retransmitted.

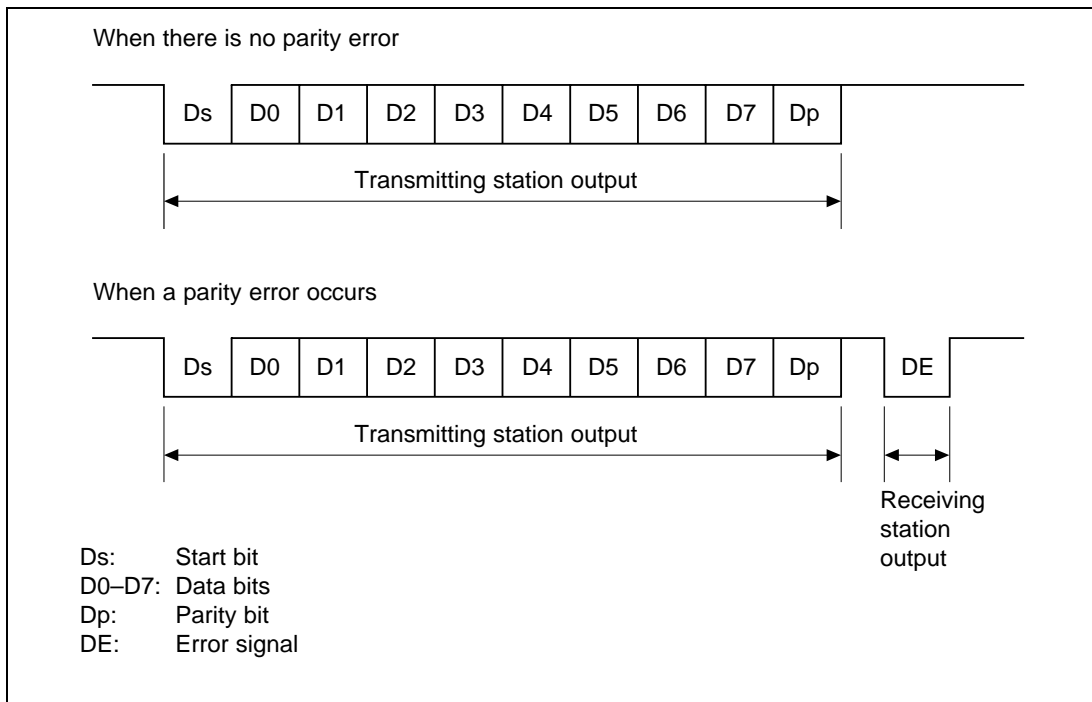


Figure 17.3 Smart Card Interface Data Format

The operation sequence is as follows.

1. When the data line is not in use it is in the high-impedance state, and is fixed high with a pull-up resistor.
2. The transmitting station starts transmission of one frame of data. The data frame starts with a start bit (Ds, low-level), followed by 8 data bits (D0 to D7) and a parity bit (Dp).
3. With the smart card interface, the data line then returns to the high-impedance state. The data line is pulled high with a pull-up resistor.
4. The receiving station carries out a parity check.

If there is no parity error and the data is received normally, the receiving station waits for reception of the next data.

If a parity error occurs, however, the receiving station outputs an error signal (DE, low-level) to request retransmission of the data. After outputting the error signal for the prescribed length of time, the receiving station places the signal line in the high-impedance state again. The signal line is pulled high again by a pull-up resistor.

5. If the transmitting station does not receive an error signal, it proceeds to transmit the next data frame.

If it receives an error signal, however, it returns to step 2 and retransmits the erroneous data.

17.3.4 Register Settings

Table 17.3 shows a bit map of the registers used by the smart card interface. Bits indicated as 0 or 1 must be set to the value shown. The setting of other bits is described below.

Table 17.3 Smart Card Interface Register Settings

Register	Bit							
	Bit 7	Bit 6	Bit 5	Bit 4	Bit 3	Bit 2	Bit 1	Bit 0
SCSMR1	GM	0	1	O/ \bar{E}	1	0	CKS1	CKS0
SCBRR1	BRR7	BRR6	BRR5	BRR4	BRR3	BRR2	BRR1	BRR0
SCSCR1	TIE	RIE	TE	RE	0	0	CKE1	CKE0
SCTDR1	TDR7	TDR6	TDR5	TDR4	TDR3	TDR2	TDR1	TDR0
SCSSR1	TDRE	RDRF	ORER	FER/ERS	PER	TEND	0	0
SCRDR1	RDR7	RDR6	RDR5	RDR4	RDR3	RDR2	RDR1	RDR0
SCSCMR1	—	—	—	—	SDIR	SINV	—	SMIF
SCSPTR1	EIO	—	—	—	SPB1IO	SPB1DT	SPB0IO	SPB0DT

Note: A dash indicates an unused bit.

Serial Mode Register (SCSMR1) Settings: The GM bit is used to select the timing of TEND flag setting, and, together with the CKE1 and CKE0 bits in the serial control register (SCSCR1), to select the clock output state.

The O/ \bar{E} bit is cleared to 0 if the IC card is of the direct convention type, and set to 1 if of the inverse convention type.

Bits CKS1 and CKS0 select the clock source of the on-chip baud rate generator. See section 17.3.5, Clock.

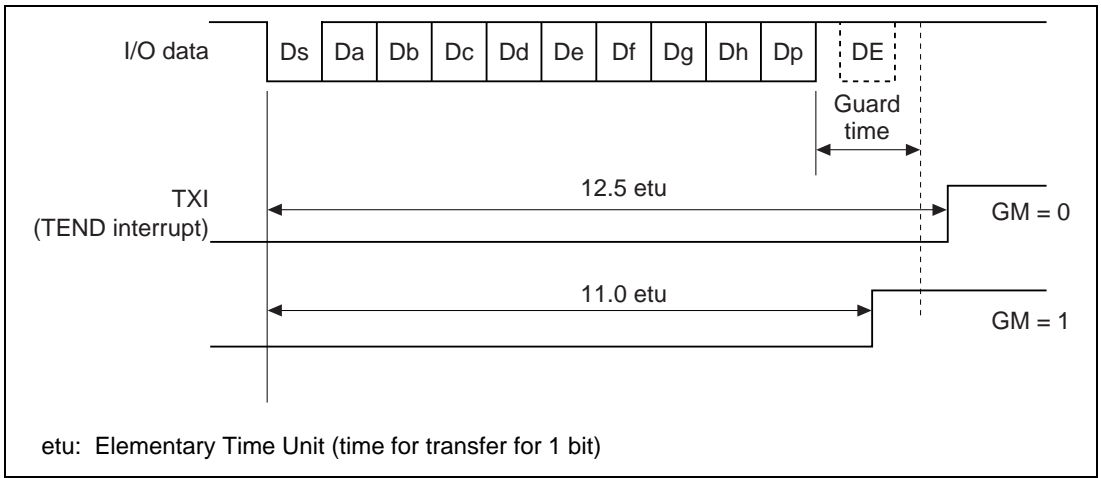


Figure 17.4 TEND Generation Timing

Bit Rate Register (SCBRR1) Setting: SCBRR1 is used to set the bit rate. See section 17.3.5, Clock, for the method of calculating the value to be set.

Serial Control Register (SCSCR1) Settings: The function of the TIE, RIE, TE, and RE bits is the same as for the normal SCI. See section 15, Serial Communication Interface (SCI), for details.

The CKE1 and CKE0 bits specify the clock output state. See section 17.3.5, Clock, for details.

Smart Card Mode Register (SCSCMR1) Settings: The SDIR bit and SINV bit are both cleared to 0 if the IC card is of the direct convention type, and both set to 1 if of the inverse convention type.

The SMIF bit is set to 1 when the smart card interface is used.

Figure 17.5 shows examples of register settings and the waveform of the start character for the two types of IC card (direct convention and inverse convention).

With the direct convention type, the logic 1 level corresponds to state Z and the logic 0 level to state A, and transfer is performed in LSB-first order. The start character data in this case is H'3B. The parity bit is 1 since even parity is stipulated for the smart card.

With the inverse convention type, the logic 1 level corresponds to state A and the logic 0 level to state Z, and transfer is performed in MSB-first order. The start character data in this case is H'3F. The parity bit is 0, corresponding to state Z, since even parity is stipulated for the smart card.

Inversion specified by the SINV bit applies only to the data bits, D7 to D0. For parity bit inversion, the O/\bar{E} bit in SCSCMR1 is set to odd parity mode. (This applies to both transmission and reception).

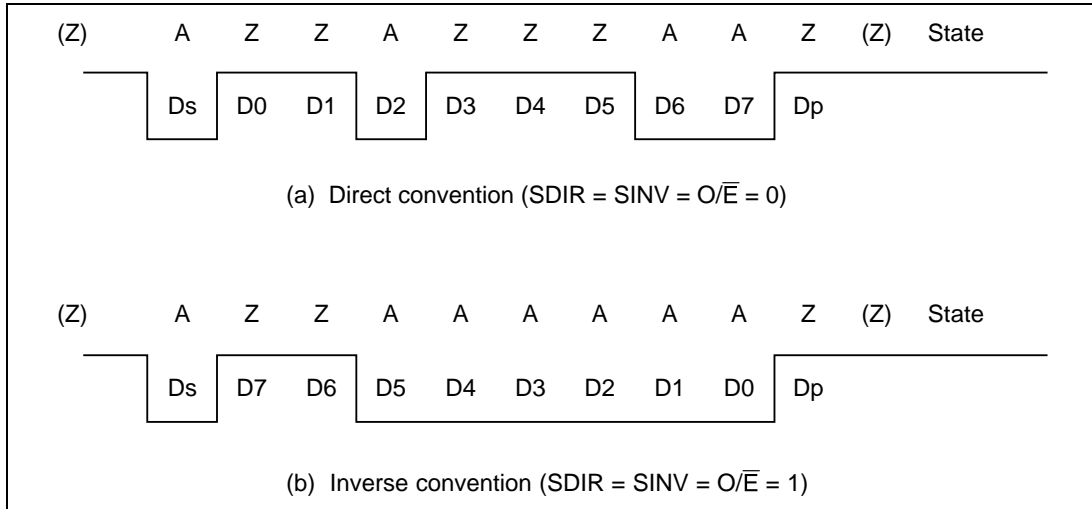


Figure 17.5 Sample Start Character Waveforms

17.3.5 Clock

Only an internal clock generated by the on-chip baud rate generator can be used as the transmit/receive clock for the smart card interface. The bit rate is set with the bit rate register (SCBRR1) and the CKS1 and CKS0 bits in the serial mode register (SCSMR1). The equation for calculating the bit rate is shown below. Table 17.5 shows some sample bit rates.

If clock output is selected with CKE0 set to 1, a clock with a frequency of 372 times the bit rate is output from the SCK pin.

$$B = \frac{P\phi}{1488 \times 2^{2n-1} \times (N + 1)} \times 10^6$$

Where: N = Value set in SCBRR1 ($0 \leq N \leq 255$)

B = Bit rate (bits/s)

Pφ = Peripheral module operating frequency (MHz)

n = 0 to 3 (See table 17.4)

Table 17.4 Values of n and Corresponding CKS1 and CKS0 Settings

n	CKS1	CKS0
0	0	0
1	0	1
2	1	0
3	1	1

Table 17.5 Examples of Bit Rate B (bits/s) for Various SCBRR1 Settings (When n = 0)

N	P ϕ (MHz)						
	7.1424	10.00	10.7136	14.2848	25.0	33.0	50.0
0	9600.0	13440.9	14400.0	19200.0	33602.2	44354.8	67204.3
1	4800.0	6720.4	7200.0	9600.0	16801.1	22177.4	33602.2
2	3200.0	4480.3	4800.0	6400.0	11200.7	14784.9	22401.4

Note: Bit rates are rounded to one decimal place.

The method of calculating the value to be set in the bit rate register (SCBRR1) from the peripheral module operating frequency and bit rate is shown below. Here, N is an integer in the range $0 \leq N \leq 255$, and the smaller error is specified.

$$N = \frac{P\phi}{1488 \times 2^{2n-1} \times B} \times 10^6 - 1$$

Table 17.6 Examples of SCBRR1 Settings for Bit Rate B (bits/s) (When n = 0)

Bits/s	P ϕ (MHz)													
	7.1424		10.00		10.7136		14.2848		25.00		33.00		50.00	
	N	Error	N	Error	N	Error	N	Error	N	Error	N	Error	N	Error
9600	0	0.00	1	30.00	1	25.00	1	8.99	3	14.27	4	8.22	6	0.01

Table 17.7 Maximum Bit Rate at Various Frequencies (Smart Card Interface Mode)




P ϕ (MHz)	Maximum Bit Rate (bits/s)	N	n
7.1424	19200	0	0
10.00	26882	0	0
10.7136	28800	0	0
16.00	43010	0	0
20.00	53763	0	0
25.0	67204	0	0
30.0	80645	0	0
33.0	88710	0	0
50.0	67204	0	0

The bit rate error is given by the following equation:

$$\text{Error (\%)} = \left\{ \frac{P\phi}{1488 \times 2^{2n-1} \times B \times (N + 1)} \right\} \times 10^6 - 1 \times 100$$

Table 17.8 shows the relationship between the smart card interface transmit/receive clock register settings and the output state.

Table 17.8 Register Settings and SCK Pin State

Setting	Register Values				SCK Pin	
	SMIF	GM	CKE1	CKE0	Output	State
1* ¹	1	0	0	0	Port	Determined by setting of SPB1IO and SPB1DT bits in SCSPTR1
	1	0	0	1		SCK (serial clock) output state
2* ²	1	1	0	0	Low output	Low-level output state
	1	1	0	1		SCK (serial clock) output state
3* ²	1	1	1	0	High output	High-level output state
	1	1	1	1		SCK (serial clock) output state

Notes: *1 The SCK output state changes as soon as the CKE0 bit setting is changed.

Clear the CKE1 bit to 0.

*2 Stopping and starting the clock by changing the CKE0 bit setting does not affect the clock duty cycle.

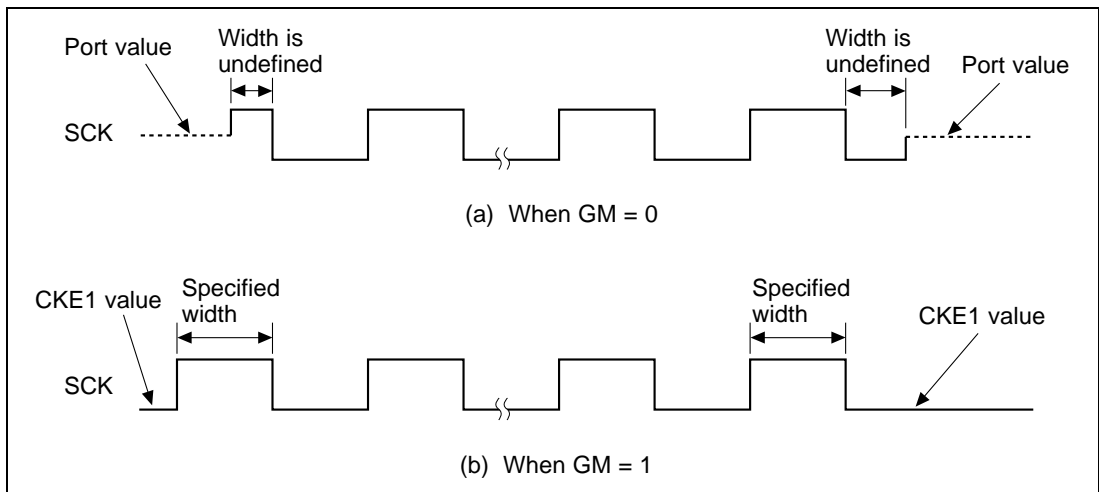


Figure 17.6 Difference in Clock Output According to GM Bit Setting

17.3.6 Data Transmit/Receive Operations

Initialization: Before transmitting and receiving data, the smart card interface must be initialized as described below. Initialization is also necessary when switching from transmit mode to receive mode, or vice versa. Figure 17.7 shows a sample initialization processing flowchart.

1. Clear the TE and RE bits in the serial control register (SCSCR1) to 0.
2. Clear error flags FER/ERS, PER, and ORER in the serial status register (SCSSR1) to 0.
3. Set the GM bit, parity bit (O/\bar{E}), and baud rate generator select bits (CKS1 and CKS0) in the serial mode register (SCSMR1). Clear the CHR and MP bits to 0, and set the STOP and PE bits to 1.
4. Set the SMIF, SDIR, and SINV bits in the smart card mode register (SCSCMR1).
When the SMIF bit is set to 1, the TxD pin and RxD pin both go to the high-impedance state.
5. Set the value corresponding to the bit rate in the bit rate register (SCBRR1).
6. Set the clock source select bits (CKE1 and CKE0) in SCSCR1. Clear the TIE, RIE, TE, RE, MPIE, and TEIE bits to 0.
If the CKE0 bit is set to 1, the clock is output from the SCK pin.
7. Wait at least one bit interval, then set the TIE, RIE, TE, and RE bits in SCSCR1. Do not set the TE bit and RE bit at the same time, except for self-diagnosis.

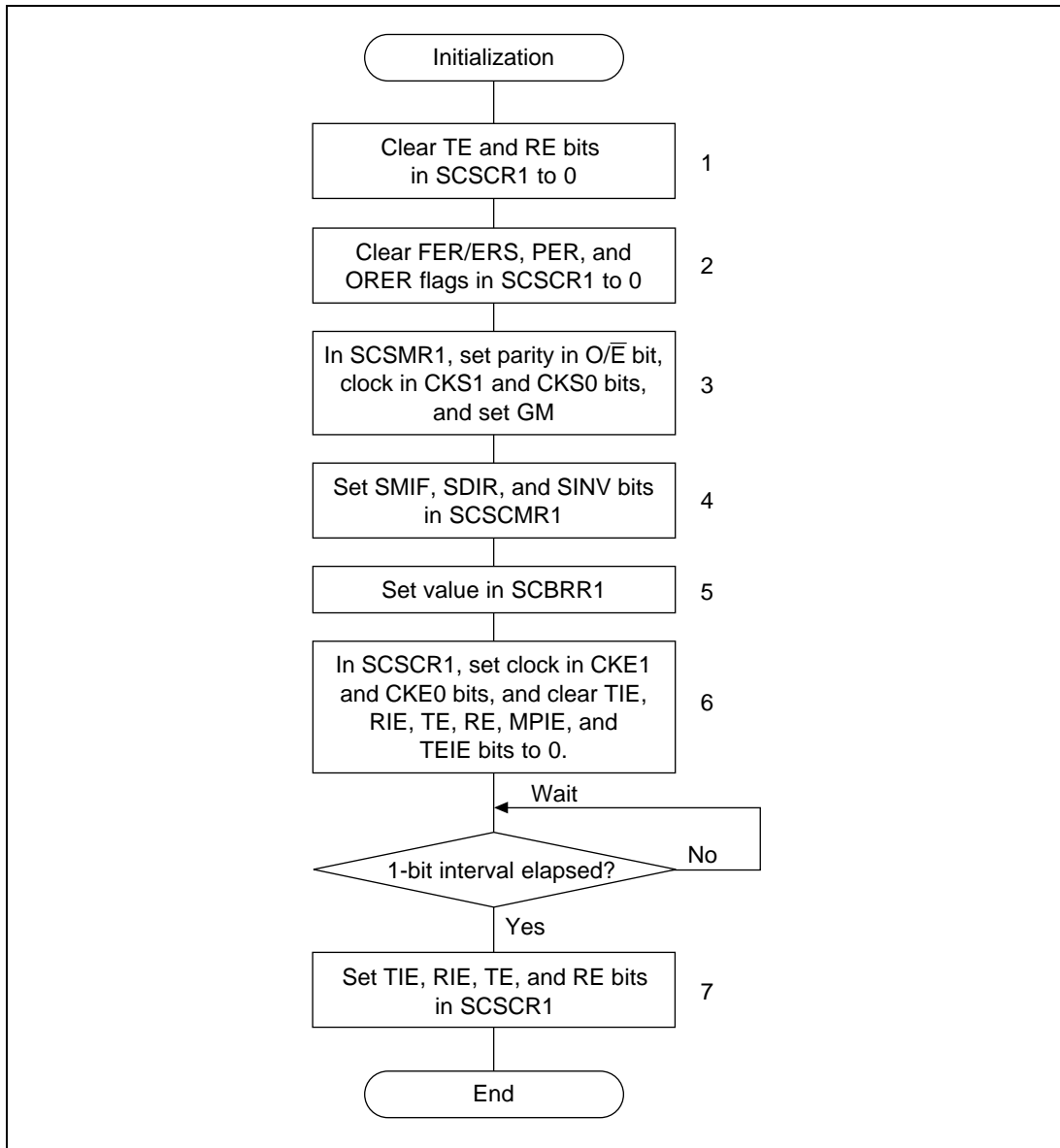


Figure 17.7 Sample Initialization Flowchart

Serial Data Transmission: As data transmission in smart card mode involves error signal sampling and retransmission processing, the processing procedure is different from that for the normal SCI. Figure 17.8 shows a sample transmission processing flowchart.

1. Perform smart card interface mode initialization as described in Initialization above.
2. Check that the FER/ERS error flag in SCSSR1 is cleared to 0.
3. Repeat steps 2 and 3 until it can be confirmed that the TEND flag in SCSSR1 is set to 1.
4. Write the transmit data to SCTDR1, clear the TDRE flag to 0, and perform the transmit operation. The TEND flag is cleared to 0.
5. To continue transmitting data, go back to step 2.
6. To end transmission, clear the TE bit to 0.

With the above processing, interrupt handling is possible.

If transmission ends and the TEND flag is set to 1 while the TIE bit is set to 1 and interrupt requests are enabled, a transmit-data-empty interrupt (TXI) request will be generated. If an error occurs in transmission and the ERS flag is set to 1 while the RIE bit is set to 1 and interrupt requests are enabled, a transmit/receive-error interrupt (ERI) request will be generated. See Interrupt Operation in section 17.3.6 below for details.

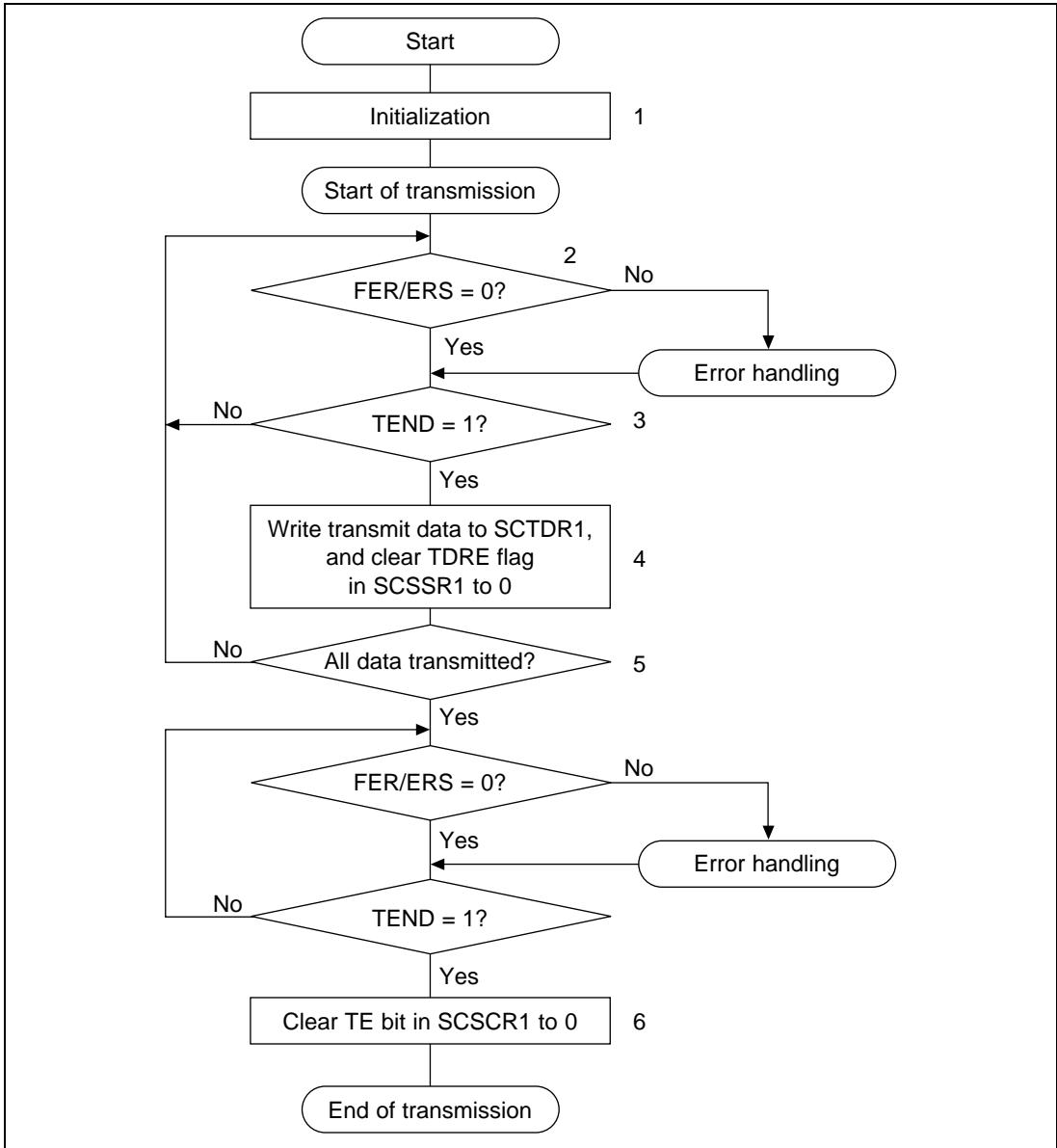


Figure 17.8 Sample Transmission Processing Flowchart

Serial Data Reception: Data reception in smart card mode uses the same processing procedure as for the normal SCI. Figure 17.9 shows a sample reception processing flowchart.

1. Perform smart card interface mode initialization as described in Initialization above.
2. Check that the ORER flag and PER flag in SCSSR1 are cleared to 0. If either is set, perform the appropriate receive error handling, then clear both the ORER and the PER flag to 0.
3. Repeat steps 2 and 3 until it can be confirmed that the RDRF flag is set to 1.
4. Read the receive data from SCRDR1.
5. To continue receiving data, clear the RDRF flag to 0 and go back to step 2.
6. To end reception, clear the RE bit to 0.

With the above processing, interrupt handling is possible.

If reception ends and the RDRF flag is set to 1 while the RIE bit is set to 1 and interrupt requests are enabled, a receive-data-full interrupt (RXI) request will be generated. If an error occurs in reception and either the ORER flag or the PER flag is set to 1, a transmit/receive-error interrupt (ERI) request will be generated.

See Interrupt Operation in section 17.3.6 below for details.

If a parity error occurs during reception and the PER flag is set to 1, the received data is still transferred to SCRDR1, and therefore this data can be read.

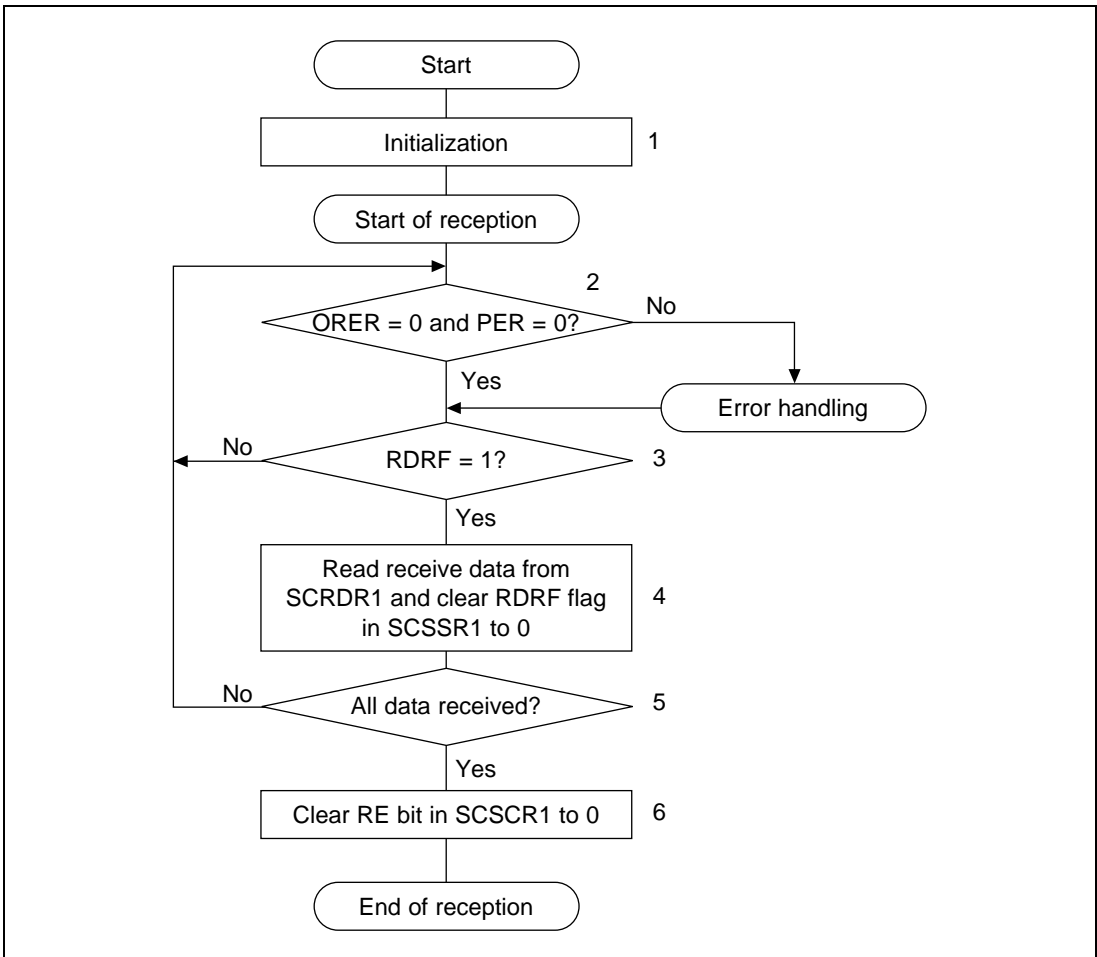


Figure 17.9 Sample Reception Processing Flowchart

Mode Switching Operation: When switching from receive mode to transmit mode, first confirm that the receive operation has been completed, then start from initialization, clearing RE to 0 and setting TE to 1. The RDRF flag or the PER and ORER flags can be used to check that the receive operation has been completed.

When switching from transmit mode to receive mode, first confirm that the transmit operation has been completed, then start from initialization, clearing TE to 0 and setting RE to 1. The TEND flag can be used to check that the transmit operation has been completed.

Interrupt Operation: There are three interrupt sources in smart card interface mode, generating transmit-data-empty interrupt (TXI) requests, transmit/receive-error interrupt (ERI) requests, and receive-data-full interrupt (RXI) requests. The transmit-end interrupt (TEI) request cannot be used in this mode.

When the TEND flag in SCSSR1 is set to 1, a TXI interrupt request is generated.

When the RDRF flag in SCSSR1 is set to 1, an RXI interrupt request is generated.

When any of flags ORER, PER, and FER/ERS in SCSSR1 is set to 1, an ERI interrupt request is generated. The relationship between the operating states and interrupt sources is shown in table 17.9.

Table 17.9 Smart Card Mode Operating States and Interrupt Sources

Operating State		Flag	Mask Bit	Interrupt Source
Transmit mode	Normal operation	TEND	TIE	TXI
	Error	FER/ERS	RIE	ERI
Receive mode	Normal operation	RDRF	RIE	RXI
	Error	PER, ORER	RIE	ERI

Data Transfer Operation by DMAC: In smart card mode, as with the normal SCI, transfer can be carried out using the DMAC. In a transmit operation, when the TEND flag in SCSSR1 is set to 1, a TXI interrupt is requested. If the TXI request is designated beforehand as a DMAC activation source, the DMAC will be activated by the TXI request, and transfer of the transmit data will be carried out. The TEND flag is automatically cleared to 0 when data transfer is performed by the DMAC. In the event of an error, the SCI retransmits the same data automatically. The TEND flag remains cleared to 0 during this time, and the DMAC is not activated. Thus, the number of bytes specified by the SCI and DMAC are transmitted automatically, including retransmission following an error. However, the ERS flag is not cleared automatically when an error occurs, and therefore the RIE bit should be set to 1 beforehand so that an ERI request will be generated in the event of an error, and the ERS flag will be cleared.

In a receive operation, an RXI interrupt request is generated when the RDRF flag in SCSSR1 is set to 1. If the RXI request is designated beforehand as a DMAC activation source, the DMAC will be activated by the RXI request, and transfer of the receive data will be carried out. The RDRF flag is cleared to 0 automatically when data transfer is performed by the DMAC. If an error occurs, an error flag is set but the RDRF flag is not. The DMAC is not activated, but instead, an ERI interrupt request is sent to the CPU. The error flag must therefore be cleared.

When performing data transfer using the DMAC, it is essential to set and enable the DMAC before carrying out SCI settings. For details of the DMAC setting procedures, see section 14, Direct Memory Access Controller (DMAC).

17.4 Usage Notes

The following points should be noted when using the SCI as a smart card interface.

(1) Receive Data Sampling Timing and Receive Margin

In asynchronous mode, the SCI operates on a base clock with a frequency of 372 times the transfer rate. In reception, the SCI synchronizes internally with the fall of the start bit, which it samples on the base clock. Receive data is latched at the rising edge of the 186th base clock pulse. The timing is shown in figure 17.10.

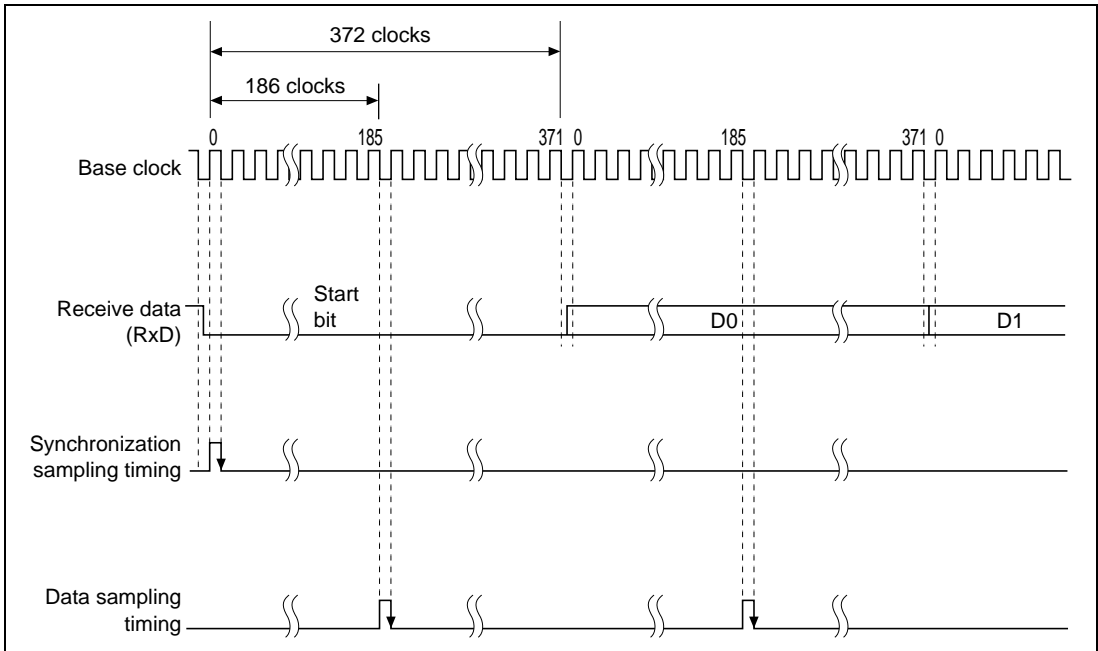


Figure 17.10 Receive Data Sampling Timing in Smart Card Mode

The receive margin in smart card mode can therefore be expressed as shown in the following equation.

$$M = \left| \left(0.5 - \frac{1}{2N} \right) - (L - 0.5) F - \frac{|D - 0.5|}{N} (1 + F) \right| \times 100\%$$

- M: Receive margin (%)
- N: Ratio of clock frequency to bit rate (N = 372)
- D: Clock duty cycle (D = 0 to 1.0)
- L: Frame length (L = 10)
- F: Absolute deviation of clock frequency

From the above equation, if $F = 0$ and $D = 0.5$, the receive margin is 49.866%, as given by the following equation.

When $D = 0.5$ and $F = 0$:

$$M = (0.5 - 1/2 \times 372) \times 100\% = 49.866\%$$

(2) Retransfer Operations

Retransfer operations are performed by the SCI in receive mode and transmit mode as described below.

Retransfer Operation when SCI is in Receive Mode: Figure 17.11 illustrates the retransfer operation when the SCI is in receive mode.

1. If an error is found when the received parity bit is checked, the PER bit in SCSSR1 is automatically set to 1. If the RIE bit in SCSCR1 is enabled at this time, an ERI interrupt request is generated. The PER bit in SCSSR1 should be cleared to 0 before the next parity bit is sampled.
2. The RDRF bit in SCSSR1 is not set for a frame in which an error has occurred.
3. If an error is found when the received parity bit is checked, the PER bit in SCSSR1 is not set to 1.
4. If no error is found when the received parity bit is checked, the receive operation is judged to have been completed normally, and the RDRF bit in SCSSR1 is automatically set to 1. If the RIE bit in SCSCR1 is enabled at this time, an RXI interrupt request is generated.
5. When a normal frame is received, the pin retains the high-impedance state at the timing for error signal transmission.

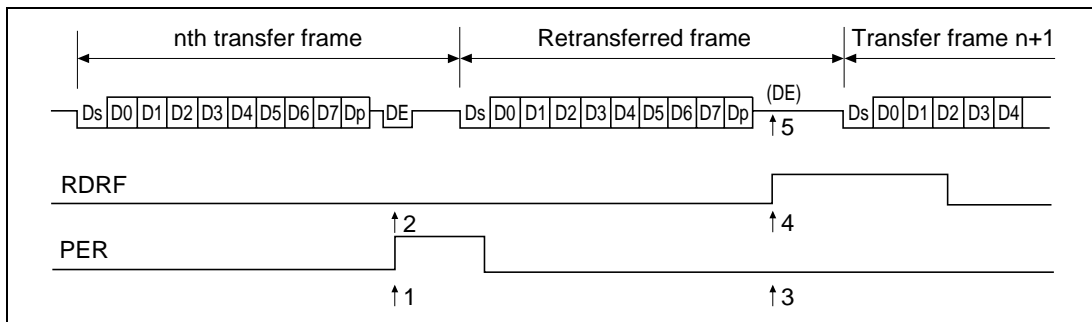


Figure 17.11 Retransfer Operation in SCI Receive Mode

Retransfer Operation when SCI is in Transmit Mode: Figure 17.12 illustrates the retransfer operation when the SCI is in transmit mode.

1. If an error signal is sent back from the receiving side after transmission of one frame is completed, the FER/ERS bit in SCSSR1 is set to 1. If the RIE bit in SCSCR1 is enabled at this time, an ERI interrupt request is generated. The FER/ERS bit in SCSSR1 should be cleared to 0 before the next parity bit is sampled.
2. The TEND bit in SCSSR1 is not set for a frame for which an error signal indicating an error is received.
3. If an error signal is not sent back from the receiving side, the FER/ERS bit in SCSSR1 is not set.
4. If an error signal is not sent back from the receiving side, transmission of one frame, including a retransfer, is judged to have been completed, and the TEND bit in SCSSR1 is set to 1. If the TIE bit in SCSCR1 is enabled at this time, a TXI interrupt request is generated.

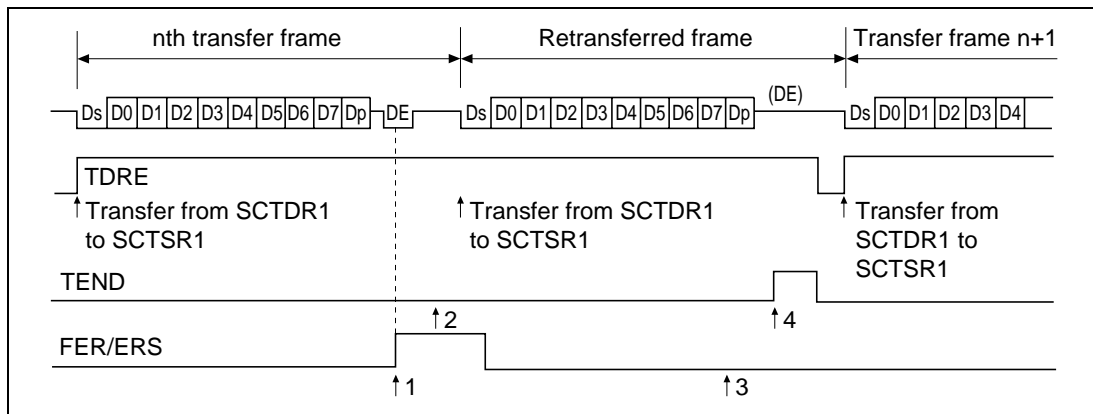


Figure 17.12 Retransfer Operation in SCI Transmit Mode

(3) Standby Mode and Clock

When switching between smart card interface mode and standby mode, the following procedures should be used to maintain the clock duty cycle.

Switching from Smart Card Interface Mode to Standby Mode:

1. Set the SBP1IO and SBP1DT bits in SCSPTR1 to the values for the fixed output state in standby mode.
2. Write 0 to the TE and RE bits in the serial control register (SCSCR1) to stop transmit/receive operations. At the same time, set the CKE1 bit to the value for the fixed output state in standby mode.
3. Write 0 to the CKE0 bit in SCSCR1 to stop the clock.
4. Wait for one serial clock cycle. During this period, the duty cycle is preserved and clock output is fixed at the specified level.
5. Write H'00 to the serial mode register (SCSMR1) and smart card mode register (SCSMR1).
6. Make the transition to the standby state.

Returning from Standby Mode to Smart Card Interface Mode:

7. Clear the standby state.
8. Set the CKE1 bit in SCSCR1 to the value for the fixed output state at the start of standby (the current SCK pin state).
9. Set smart card interface mode and output the clock. Clock signal generation is started with the normal duty cycle.

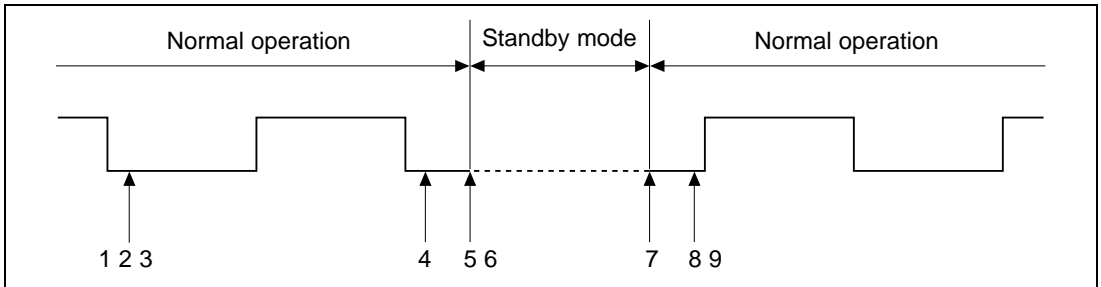


Figure 17.13 Procedure for Stopping and Restarting the Clock

(4) Power-On and Clock

The following procedure should be used to secure the clock duty cycle after powering on.

1. The initial state is port input and high impedance. Use pull-up or pull-down resistors to fix the potential.
2. Fix at the output specified by the CKE1 bit in the serial control register (SCSCR1).
3. Set the serial mode register (SCSMR1) and smart card mode register (SCSCMR1), and switch to smart card mode operation.
4. Set the CKE0 bit in SCSCR1 to 1 to start clock output.

Section 18 I/O Ports

18.1 Overview

The SH7750 Series has a 20-bit general-purpose I/O port, SCI I/O port, and SCIF I/O port.

18.1.1 Features

The features of the general-purpose I/O port are as follows:

- 20-bit I/O port with input/output direction independently specifiable for each bit
- Pull-up can be specified independently for each bit.
- Interrupt input is possible for 16 of the 20 I/O port bits.
- Use or non-use of the I/O port can be selected with the PORTEN bit in bus control register 2 (BCR2).

The features of the SCI I/O port are as follows:

- Data can be output when the I/O port is designated for output and SCI enabling has not been set. This allows break function transmission.
- The RxD pin value can be read at all times, allowing break state detection.
- SCK pin control is possible when the I/O port is designated for output and SCI enabling has not been set.
- The SCK pin value can be read at all times.

The features of the SCIF I/O port are as follows:

- Data can be output when the I/O port is designated for output and SCIF enabling has not been set. This allows break function transmission.
- The Rx/D2 pin value can be read at all times, allowing break state detection.
- $\overline{\text{CTS2}}$ and $\overline{\text{RTS2}}$ pin control is possible when the I/O port is designated for output and SCIF enabling has not been set.
- The $\overline{\text{CTS2}}$ and $\overline{\text{RTS2}}$ pin values can be read at all times.

18.1.2 Block Diagrams

Figure 18.1 shows a block diagram of the 16-bit general-purpose I/O port.

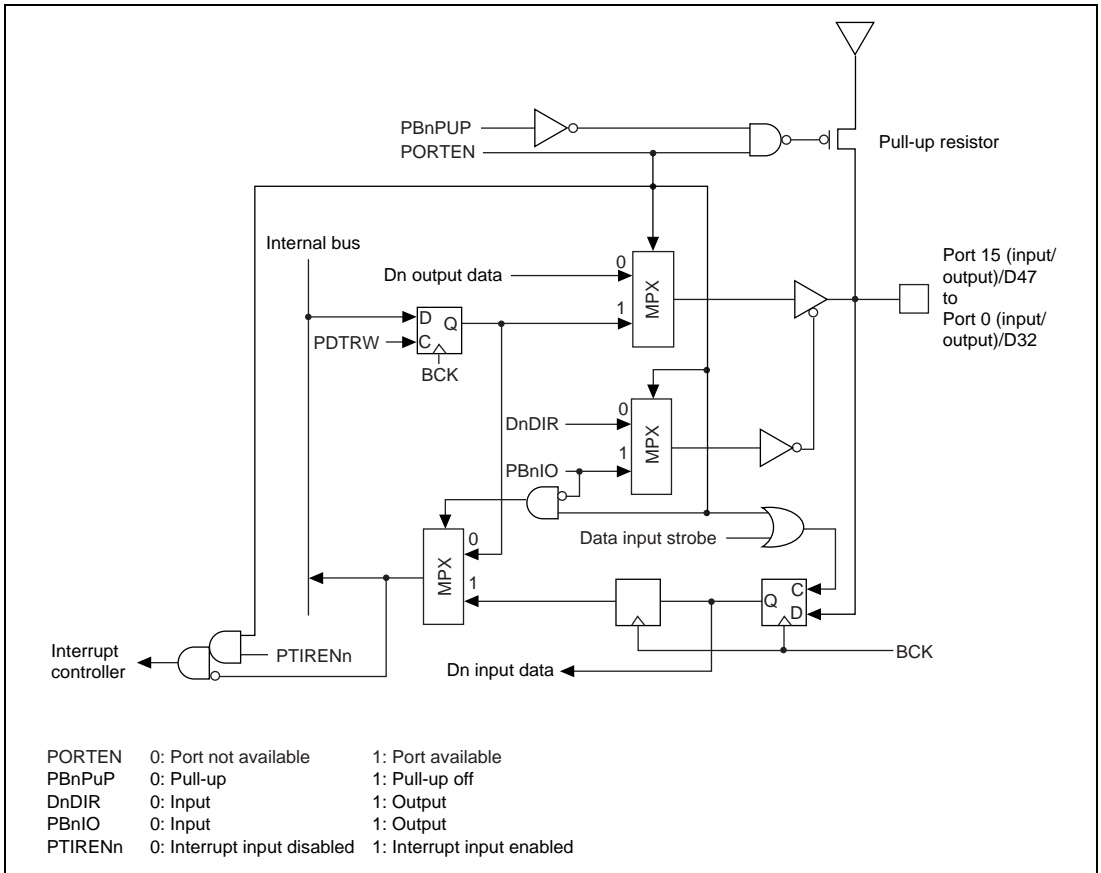


Figure 18.1 16-Bit Port

SCI I/O port block diagrams are shown in figures 18.3 to 18.5.

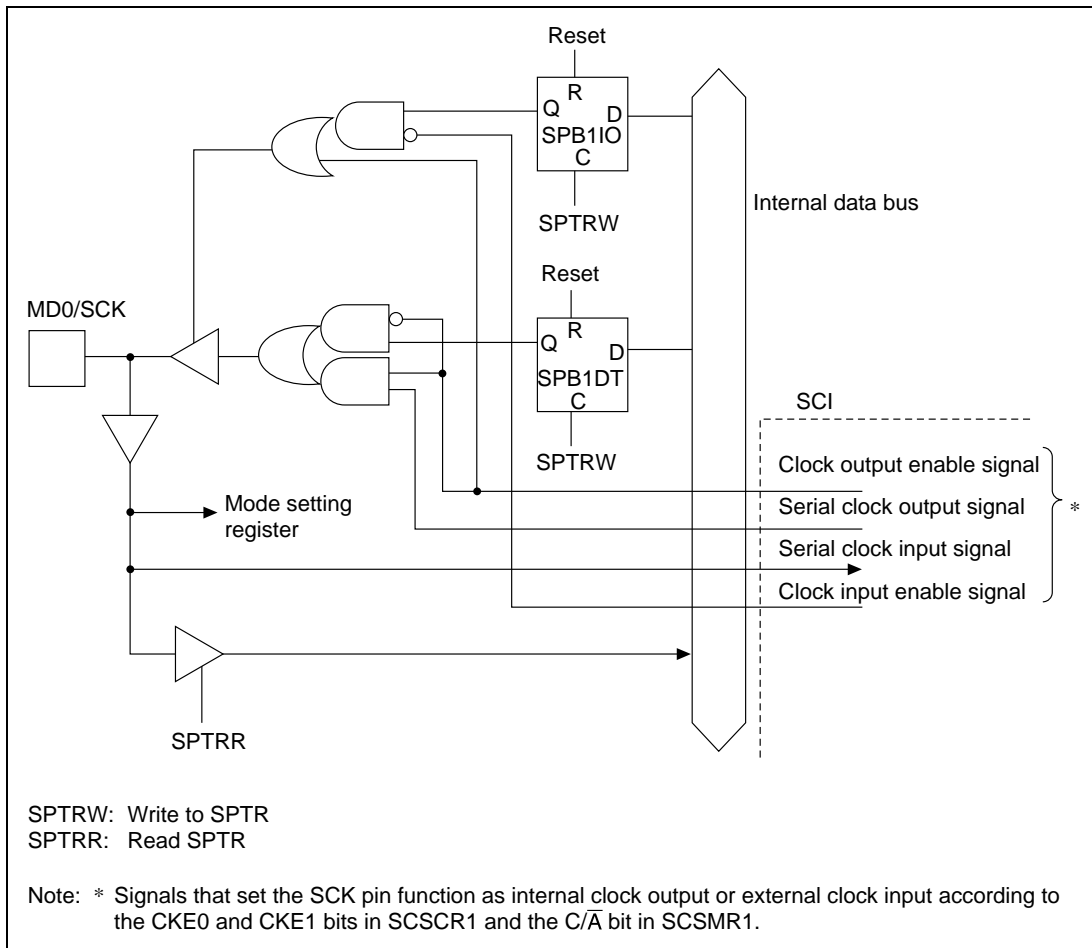


Figure 18.3 MD0/SCK Pin

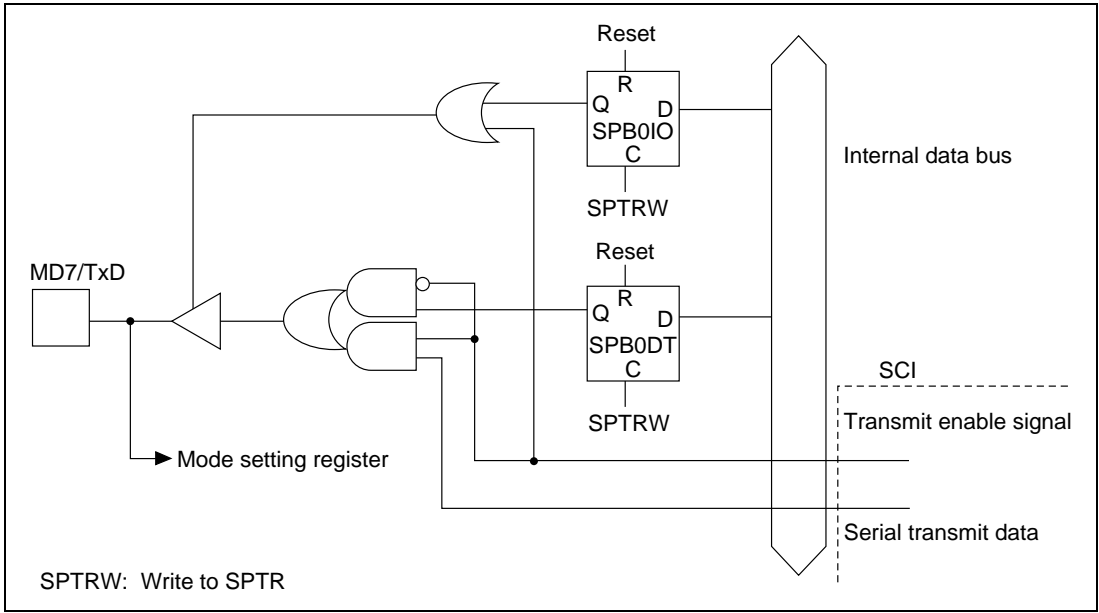


Figure 18.4 MD7/TxD Pin

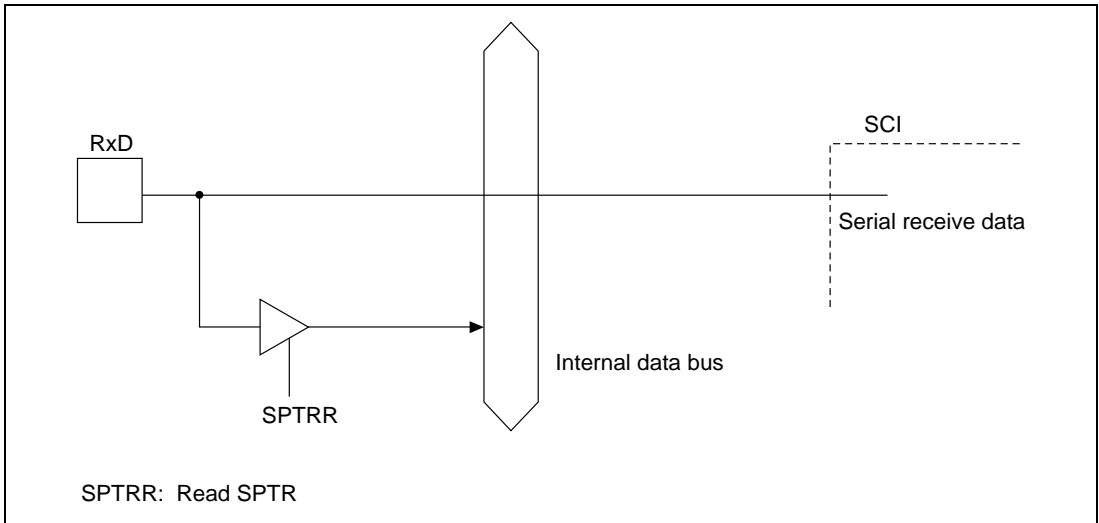


Figure 18.5 RxD Pin

SCIF I/O port block diagrams are shown in figures 18.6 to 18.9.

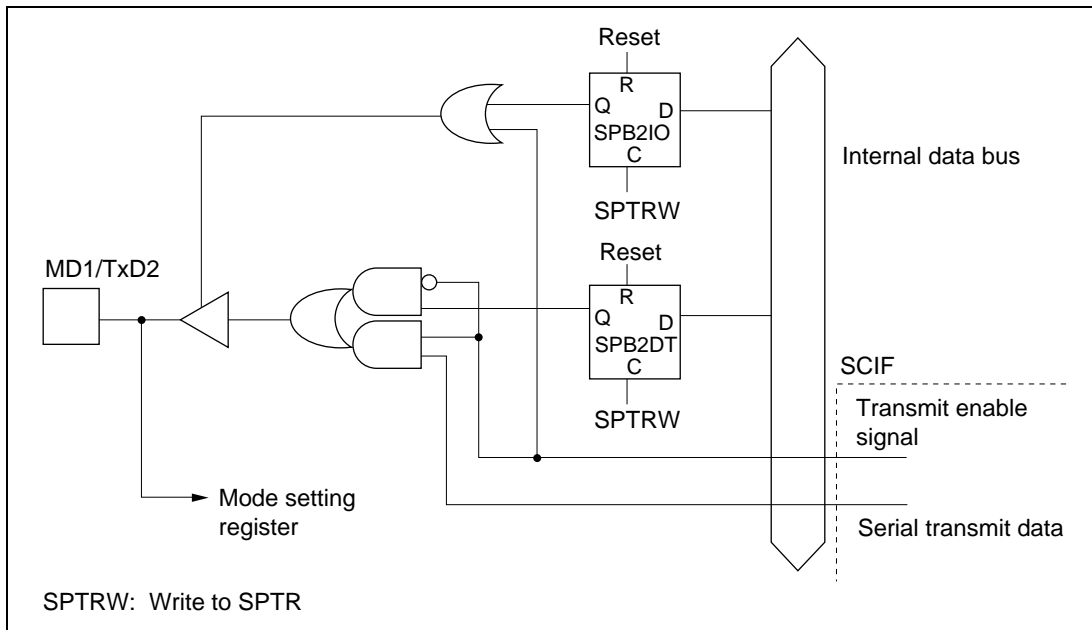


Figure 18.6 MD1/TxD2 Pin

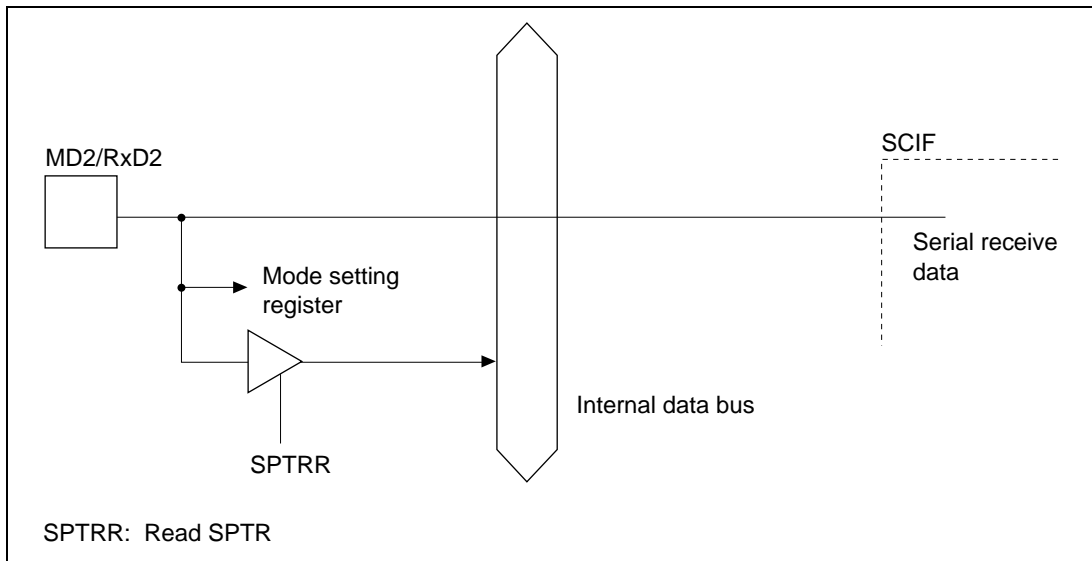


Figure 18.7 MD2/RxD2 Pin

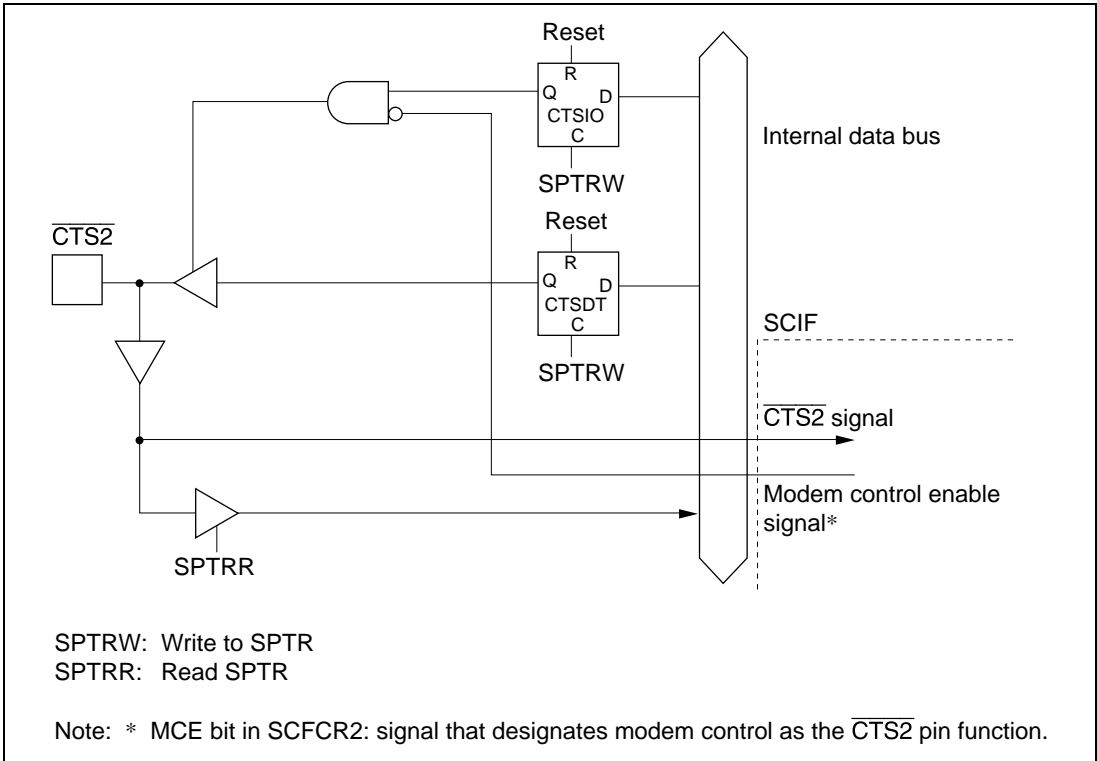


Figure 18.8 $\overline{\text{CTS2}}$ Pin

18.1.3 Pin Configuration

Table 18.1 shows the 20-bit general-purpose I/O port pin configuration.

Table 18.1 20-Bit General-Purpose I/O Port Pins

Pin Name	Signal	I/O	Function
Port 19 pin	PORT19/D51	I/O	I/O port
Port 18 pin	PORT18/D50	I/O	I/O port
Port 17 pin	PORT17/D49	I/O	I/O port
Port 16 pin	PORT16/D48	I/O	I/O port
Port 15 pin	PORT15/D47	I/O*	I/O port / GPIO interrupt
Port 14 pin	PORT14/D46	I/O*	I/O port / GPIO interrupt
Port 13 pin	PORT13/D45	I/O*	I/O port / GPIO interrupt
Port 12 pin	PORT12/D44	I/O*	I/O port / GPIO interrupt
Port 11 pin	PORT11/D43	I/O*	I/O port / GPIO interrupt
Port 10 pin	PORT10/D42	I/O*	I/O port / GPIO interrupt
Port 9 pin	PORT9/D41	I/O*	I/O port / GPIO interrupt
Port 8 pin	PORT8/D40	I/O*	I/O port / GPIO interrupt
Port 7 pin	PORT7/D39	I/O*	I/O port / GPIO interrupt
Port 6 pin	PORT6/D38	I/O*	I/O port / GPIO interrupt
Port 5 pin	PORT5/D37	I/O*	I/O port / GPIO interrupt
Port 4 pin	PORT4/D36	I/O*	I/O port / GPIO interrupt
Port 3 pin	PORT3/D35	I/O*	I/O port / GPIO interrupt
Port 2 pin	PORT2/D34	I/O*	I/O port / GPIO interrupt
Port 1 pin	PORT1/D33	I/O*	I/O port / GPIO interrupt
Port 0 pin	PORT0/D32	I/O*	I/O port / GPIO interrupt

Note: * When port pins are used as GPIO interrupts, they must be set to input mode. The input setting can be made in the PCTRA register.

Table 18.2 shows the SCI I/O port pin configuration.

Table 18.2 SCI I/O Port Pins

Pin Name	Abbreviation	I/O	Function
Serial clock pin	MD0/SCK	I/O	Clock input/output
Receive data pin	RxD	Input	Receive data input
Transmit data pin	MD7/TxD	Output	Transmit data output

Note: Pins MD0/SCK and MD7/TxD function as mode input pins MD0 and MD7 after a power-on reset. They are made to function as serial pins by performing SCI operation settings with the TE, RE, CKEI, and CKE0 bits in SCSCR1 and the C/A bit in SCSMR1. Break state transmission and detection can be performed by means of a setting in the SCI's SCSPTR1 register.

Table 18.3 shows the SCIF I/O port pin configuration.

Table 18.3 SCIF I/O Port Pins

Pin Name	Abbreviation	I/O	Function
Serial clock pin	$\overline{\text{MRESET}}/\text{SCK2}$	Input	Clock input
Receive data pin	MD2/RxD2	Input	Receive data input
Transmit data pin	MD1/TxD2	Output	Transmit data output
Modem control pin	$\overline{\text{CTS2}}$	I/O	Transmission enabled
Modem control pin	MD8/RTS2	I/O	Transmission request

Note: The $\overline{\text{MRESET}}/\text{SCK2}$ pin functions as the $\overline{\text{MRESET}}$ manual reset pin when a manual reset is executed. The MD1/TxD2, MD2/RxD2, and MD8/RTS2 pins function as the MD1, MD2, and MD8 mode input pins after a power-on reset. These pins are made to function as serial pins by performing SCIF operation settings with the TE and RE bits in SCSCR2 and the MCE bit in SCFCR2. Break state transmission and detection can be set in the SCIF's SCSPTR2 register.

18.1.4 Register Configuration

The 20-bit general-purpose I/O port, SCI I/O port, and SCIF I/O port have seven registers, as shown in table 18.4.

Table 18.4 I/O Port Registers

Name	Abbreviation	R/W	Initial Value*	P4 Address	Area 7 Address	Access Size
Port control register A	PCTRA	R/W	H'00000000	H'FF80002C	H'1F80002C	32
Port data register A	PDTRA	R/W	Undefined	H'FF800030	H'1F800030	16
Port control register B	PCTRB	R/W	H'00000000	H'FF800040	H'1F800040	32
Port data register B	PDTRB	R/W	Undefined	H'FF800044	H'1F800044	16
GPIO interrupt control register	GPIOIC	R/W	H'00000000	H'FF800048	H'1F800048	16
Serial port register	SCSPTR1	R/W	Undefined	H'FFE0001C	H'1FE0001C	8
Serial port register	SCSPTR2	R/W	Undefined	H'FFE80020	H'1FE80020	16

Note: * Initialized by a power-on reset.

18.2 Register Descriptions

18.2.1 Port Control Register A (PCTRA)

Port control register A (PCTRA) is a 32-bit readable/writable register that controls the input/output direction and pull-up for each bit in the 16-bit port (port 15 pin to port 0 pin). As the initial value of port data register A (PDTRA) is undefined, all the bits in the 16-bit port should be set to output with PCTRA after writing a value to the PDTRA register.

PCTRA is initialized to H'00000000 by a power-on reset. It is not initialized by a manual reset or in standby mode, and retains its contents.

Bit:	31	30	29	28	27	26	25	24
	PB15PUP	PB15IO	PB14PUP	PB14IO	PB13PUP	PB13IO	PB12PUP	PB12IO
Initial value:	0	0	0	0	0	0	0	0
R/W:	R/W	R/W	R/W	R/W	R/W	R/W	R/W	R/W
Bit:	23	22	21	20	19	18	17	16
	PB11PUP	PB11IO	PB10PUP	PB10IO	PB9PUP	PB9IO	PB8PUP	PB8IO
Initial value:	0	0	0	0	0	0	0	0
R/W:	R/W	R/W	R/W	R/W	R/W	R/W	R/W	R/W
Bit:	15	14	13	12	11	10	9	8
	PB7PUP	PB7IO	PB6PUP	PB6IO	PB5PUP	PB5IO	PB4PUP	PB4IO
Initial value:	0	0	0	0	0	0	0	0
R/W:	R/W	R/W	R/W	R/W	R/W	R/W	R/W	R/W
Bit:	7	6	5	4	3	2	1	0
	PB3PUP	PB3IO	PB2PUP	PB2IO	PB1PUP	PB1IO	PB0PUP	PB0IO
Initial value:	0	0	0	0	0	0	0	0
R/W:	R/W	R/W	R/W	R/W	R/W	R/W	R/W	R/W

Bit 2n + 1 (n = 0–15)—Port Pull-Up Control (PBnPUP): Specifies whether each bit in the 16-bit port is to be pulled up with a built-in resistor. Pull-up is automatically turned off for a port pin set to output by bit PBnIO.

Bit 2n + 1: PBnPUP	Description
0	Bit m (m = 0–15) of 16-bit port is pulled up (Initial value)
1	Bit m (m = 0–15) of 16-bit port is not pulled up

Bit 2n (n = 0–15)—Port I/O Control (PBnIO): Specifies whether each bit in the 16-bit port is an input or an output.

Bit 2n: PBnIO	Description
0	Bit m (m = 0–15) of 16-bit port is an input (Initial value)
1	Bit m (m = 0–15) of 16-bit port is an output

18.2.2 Port Data Register A (PDTRA)

Port data register A (PDTRA) is a 16-bit readable/writable register used as a data latch for each bit in the 16-bit port. When a bit is set as an output, the value written to the PDTRA register is output from the external pin. When a value is read from the PDTRA register while a bit is set as an input, the external pin value sampled on the external bus clock is read. When a bit is set as an output, the value written to the PDTRA register is read.

PDTRA is not initialized by a power-on or manual reset, or in standby mode, and retains its contents.

Bit:	15	14	13	12	11	10	9	8
	PB15DT	PB14DT	PB13DT	PB12DT	PB11DT	PB10DT	PB9DT	PB8DT
Initial value:	—	—	—	—	—	—	—	—
R/W:	R/W	R/W	R/W	R/W	R/W	R/W	R/W	R/W
Bit:	7	6	5	4	3	2	1	0
	PB7DT	PB6DT	PB5DT	PB4DT	PB3DT	PB2DT	PB1DT	PB0DT
Initial value:	—	—	—	—	—	—	—	—
R/W:	R/W	R/W	R/W	R/W	R/W	R/W	R/W	R/W

18.2.3 Port Control Register B (PCTRB)

Port control register B (PCTRB) is a 32-bit readable/writable register that controls the input/output direction and pull-up for each bit in the 4-bit port (port 19 pin to port 16 pin). As the initial value of port data register B (PDTRB) is undefined, each bit in the 4-bit port should be set to output with PCTRB after writing a value to the PDTRB register.

PCTRB is initialized to H'00000000 by a power-on reset. It is not initialized by a manual reset or in standby mode, and retains its contents.

Bit:	31	30	29	28	27	26	25	24
	—	—	—	—	—	—	—	—
Initial value:	0	0	0	0	0	0	0	0
R/W:	R	R	R	R	R	R	R	R
Bit:	23	22	21	20	19	18	17	16
	—	—	—	—	—	—	—	—
Initial value:	0	0	0	0	0	0	0	0
R/W:	R	R	R	R	R	R	R	R
Bit:	15	14	13	12	11	10	9	8
	—	—	—	—	—	—	—	—
Initial value:	0	0	0	0	0	0	0	0
R/W:	R	R	R	R	R	R	R	R
Bit:	7	6	5	4	3	2	1	0
	PB19PUP	PB19IO	PB18PUP	PB18IO	PB17PUP	PB17IO	PB16PUP	PB16IO
Initial value:	0	0	0	0	0	0	0	0
R/W:	R/W	R/W	R/W	R/W	R/W	R/W	R/W	R/W

Bit $2n + 1$ ($n = 0-3$)—Port Pull-Up Control (PBnPUP): Specifies whether each bit in the 4-bit port is to be pulled up with a built-in resistor. Pull-up is automatically turned off for a port pin set to output by bit PBnIO.

Bit $2n + 1$: PBnPUP	Description
0	Bit m ($m = 16-19$) of 4-bit port is pulled up (Initial value)
1	Bit m ($m = 16-19$) of 4-bit port is not pulled up

Bit 2n (n = 0–3)—Port I/O Control (PBnIO): Specifies whether each bit in the 4-bit port is an input or an output.

Bit 2n: PBnIO	Description
0	Bit m (m = 16–19) of 4-bit port is an input (Initial value)
1	Bit m (m = 16–19) of 4-bit port is an output

18.2.4 Port Data Register B (PDTRB)

Port data register B (PDTRB) is a 16-bit readable/writable register used as a data latch for each bit in the 4-bit port. When a bit is set as an output, the value written to the PDTRB register is output from the external pin. When a value is read from the PDTRB register while a bit is set as an input, the external pin value sampled on the external bus clock is read. When a bit is set as an output, the value written to the PDTRB register is read.

PDTRB is not initialized by a power-on or manual reset, or in standby mode, and retains its contents.

Bit:	15	14	13	12	11	10	9	8
	—	—	—	—	—	—	—	—
Initial value:	0	0	0	0	0	0	0	0
R/W:	R	R	R	R	R	R	R	R
Bit:	7	6	5	4	3	2	1	0
	—	—	—	—	PB19DT	PB18DT	PB17DT	PB16DT
Initial value:	0	0	0	0	—	—	—	—
R/W:	R	R	R	R	R/W	R/W	R/W	R/W

18.2.5 GPIO Interrupt Control Register (GPIOIC)

The GPIO interrupt control register (GPIOIC) is a 16-bit readable/writable register that performs 16-bit interrupt input control.

GPIOIC is initialized to H'00000000 by a power-on reset. It is not initialized by a manual reset or in standby mode, and retains its contents.

GPIO interrupts are active-low level interrupts. Bit-by-bit masking is possible, and the OR of all the bits set as GPIO interrupts is used for interrupt detection. Which bits interrupts are input to can be identified by reading the PDTRA register.

Bit:	15	14	13	12	11	10	9	8
	PTIREN15	PTIREN14	PTIREN13	PTIREN12	PTIREN11	PTIREN10	PTIREN9	PTIREN8
Initial value:	0	0	0	0	0	0	0	0
R/W:	R/W	R/W	R/W	R/W	R/W	R/W	R/W	R/W

Bit:	7	6	5	4	3	2	1	0
	PTIREN7	PTIREN6	PTIREN5	PTIREN4	PTIREN3	PTIREN2	PTIREN1	PTIREN0
Initial value:	0	0	0	0	0	0	0	0
R/W:	R/W	R/W	R/W	R/W	R/W	R/W	R/W	R/W

Bit n (n = 0–15)—Port Interrupt Enable (PTIRENn): Specifies whether interrupt input is performed for each bit.

Bit n: PTIRENn	Description
0	Port m (m = 0–15) of 16-bit port is used as a normal I/O port (Initial value)
1	Port m (m = 0–15) of 16-bit port is used as a GPIO interrupt*

Note: *When using an interrupt, set the corresponding port to input in the PCTRA register before making the PTIRENn setting.

18.2.6 Serial Port Register (SCSPTR1)

Bit:	7	6	5	4	3	2	1	0
	EIO	—	—	—	SPB1IO	SPB1DT	SPB0IO	SPB0DT
Initial value:	0	0	0	0	0	—	0	—
R/W:	R/W	—	—	—	R/W	R/W	R/W	R/W

The serial port register (SCSPTR1) is an 8-bit readable/writable register that controls input/output and data for the port pins multiplexed with the serial communication interface (SCI) pins. Input data can be read from the Rx/D pin, output data written to the Tx/D pin, and breaks in serial transmission/reception controlled, by means of bits 1 and 0. SCK pin data reading and output data writing can be performed by means of bits 3 and 2. Bit 7 controls enabling and disabling of the RXI interrupt.

SCSPTR1 can be read or written to by the CPU at all times. All SCSPTR1 bits except bits 2 and 0 are initialized to H'00 by a power-on reset or manual reset; the value of bits 2 and 0 is undefined. SCSPTR1 is not initialized in the module standby state or standby mode.

Bit 7—Error Interrupt Only (EIO): See section 15.2.8, Serial Port Register (SCSPTR1).

Bits 6 to 4—Reserved: These bits are always read as 0, and should only be written with 0.

Bit 3—Serial Port Clock Port I/O (SPB1IO): Specifies serial port SCK pin input/output. When the SCK pin is actually set as a port output pin and outputs the value set by the SPB1DT bit, the $\overline{C/A}$ bit in SCSMR1 and the CKE1 and CKE0 bits in SCSCR1 should be cleared to 0.

Bit 3: SPB1IO	Description
0	SPB1DT bit value is not output to the SCK pin (Initial value)
1	SPB1DT bit value is output to the SCK pin

Bit 2—Serial Port Clock Port Data (SPB1DT): Specifies the serial port SCK pin input/output data. Input or output is specified by the SPB1IO bit (see the description of bit 3, SPB1IO, for details). When output is specified, the value of the SPB1DT bit is output to the SCK pin. The SCK pin value is read from the SPB1DT bit regardless of the value of the SPB1IO bit. The initial value of this bit after a power-on reset or manual reset is undefined.

Bit 2: SPB1DT	Description
0	Input/output data is low-level
1	Input/output data is high-level

Bit 1—Serial Port Break I/O (SPB0IO): Specifies the serial port TxD pin output condition. When the TxD pin is actually set as a port output pin and outputs the value set by the SPB0DT bit, the TE bit in SCSCR1 should be cleared to 0.

Bit 1: SPB0IO	Description
0	SPB0DT bit value is not output to the TxD pin (Initial value)
1	SPB0DT bit value is output to the TxD pin

Bit 0—Serial Port Break Data (SPB0DT): Specifies the serial port RxD pin input data and TxD pin output data. The TxD pin output condition is specified by the SPB0IO bit (see the description of bit 1, SPB0IO, for details). When the TxD pin is designated as an output, the value of the SPB0DT bit is output to the TxD pin. The RxD pin value is read from the SPB0DT bit regardless of the value of the SPB0IO bit. The initial value of this bit after a power-on reset or manual reset is undefined.

Bit 0: SPB0DT	Description
0	Input/output data is low-level
1	Input/output data is high-level

18.2.7 Serial Port Register (SCSPTR2)

Bit:	15	14	13	12	11	10	9	8
	—	—	—	—	—	—	—	—
Initial value:	0	0	0	0	0	0	0	0
R/W:	R	R	R	R	R	R	R	R
Bit:	7	6	5	4	3	2	1	0
	RTSIO	RTSDT	CTSIO	CTSDT	—	—	SPB2IO	SPB2DT
Initial value:	0	—	0	—	0	0	0	—
R/W:	R/W	R/W	R/W	R/W	R	R	R/W	R/W

The serial port register (SCSPTR2) is a 16-bit readable/writable register that controls input/output and data for the port pins multiplexed with the serial communication interface (SCIF) pins. Input data can be read from the RxD2 pin, output data written to the TxD2 pin, and breaks in serial transmission/reception controlled, by means of bits 1 and 0. $\overline{\text{CTS2}}$ pin data reading and output data writing can be performed by means of bits 5 and 4, and $\overline{\text{RTS2}}$ pin data reading and output data writing by means of bits 7 and 6.

SCSPTR2 can be read or written to by the CPU at all times. All SCSPTR2 bits except bits 6, 4, and 0 are initialized to 0 by a power-on reset or manual reset; the value of bits 6, 4, and 0 is undefined. SCSPTR2 is not initialized in standby mode or in the module standby state.

Bits 15 to 8—Reserved: These bits are always read as 0, and should only be written with 0.

Bit 7—Serial Port RTS Port I/O (RTSIO): Specifies serial port $\overline{\text{RTS2}}$ pin input/output. When the $\overline{\text{RTS2}}$ pin is actually set as a port output pin and outputs the value set by the RTSDT bit, the MCE bit in SCFCR2 should be cleared to 0.

Bit 7: RTSIO	Description
0	RTSDT bit value is not output to the $\overline{\text{RTS2}}$ pin (Initial value)
1	RTSDT bit value is output to the $\overline{\text{RTS2}}$ pin

Bit 6—Serial Port RTS Port Data (RTSDT): Specifies the serial port $\overline{\text{RTS2}}$ pin input/output data. Input or output is specified by the RTSIO pin (see the description of bit 7, RTSIO, for details). When the $\overline{\text{RTS2}}$ pin is designated as an output, the value of the RTSDT bit is output to the $\overline{\text{RTS2}}$ pin. The $\overline{\text{RTS2}}$ pin value is read from the RTSDT bit regardless of the value of the RTSIO bit. The initial value of this bit after a power-on reset or manual reset is undefined.

Bit 6: RTSDT	Description
0	Input/output data is low-level
1	Input/output data is high-level

Bit 5—Serial Port CTS Port I/O (CTSIO): Specifies serial port $\overline{\text{CTS2}}$ pin input/output. When the $\overline{\text{CTS2}}$ pin is actually set as a port output pin and outputs the value set by the CTSDT bit, the MCE bit in SCFCR2 should be cleared to 0.

Bit 5: CTSIO	Description
0	CTSDT bit value is not output to the $\overline{\text{CTS2}}$ pin (Initial value)
1	CTSDT bit value is output to the $\overline{\text{CTS2}}$ pin

Bit 4—Serial Port CTS Port Data (CTSDT): Specifies the serial port $\overline{\text{CTS2}}$ pin input/output data. Input or output is specified by the CTSIO pin (see the description of bit 5, CTSIO, for details). When the $\overline{\text{CTS2}}$ pin is designated as an output, the value of the CTSDT bit is output to the $\overline{\text{CTS2}}$ pin. The $\overline{\text{CTS2}}$ pin value is read from the CTSDT bit regardless of the value of the CTSIO bit. The initial value of this bit after a power-on reset or manual reset is undefined.

Bit 4: CTSDT	Description
0	Input/output data is low-level
1	Input/output data is high-level

Bits 3 and 2—Reserved: These bits are always read as 0, and should only be written with 0.

Bit 1—Serial Port Break I/O (SPB2IO): Specifies the serial port TxD2 pin output condition. When the TxD2 pin is actually set as a port output pin and outputs the value set by the SPB2DT bit, the TE bit in SCSCR2 should be cleared to 0.

Bit 1: SPB2IO	Description
0	SPB2DT bit value is not output to the TxD2 pin (Initial value)
1	SPB2DT bit value is output to the TxD2 pin

Bit 0—Serial Port Break Data (SPB2DT): Specifies the serial port RxD2 pin input data and TxD2 pin output data. The TxD2 pin output condition is specified by the SPB2IO bit (see the description of bit 1, SPB2IO, for details). When the TxD2 pin is designated as an output, the value of the SPB2DT bit is output to the TxD2 pin. The RxD2 pin value is read from the SPB2DT bit regardless of the value of the SPB2IO bit. The initial value of this bit after a power-on reset or manual reset is undefined.

Bit 0: SPB2DT	Description
0	Input/output data is low-level
1	Input/output data is high-level

Section 19 Interrupt Controller (INTC)

19.1 Overview

The interrupt controller (INTC) ascertains the priority of interrupt sources and controls interrupt requests to the CPU. The INTC registers set the order of priority of each interrupt, allowing the user to handle interrupt requests according to user-set priority.

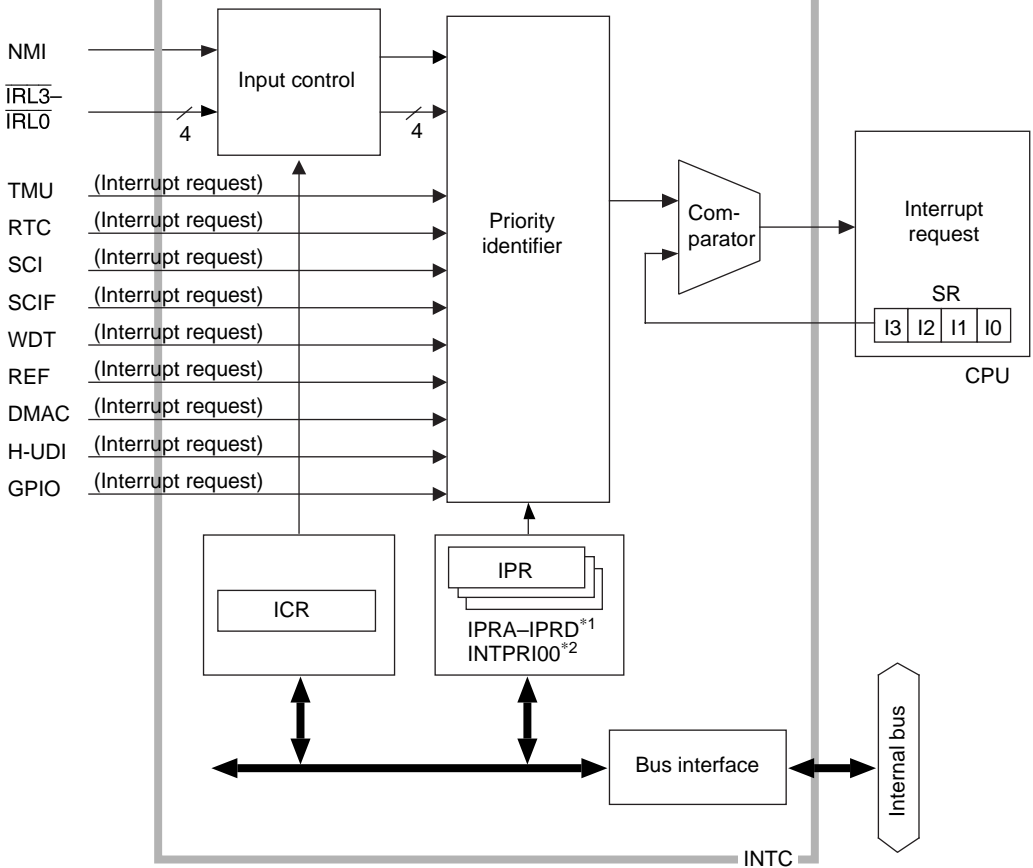
19.1.1 Features

The INTC has the following features.

- Fifteen interrupt priority levels can be set
By setting the three interrupt priority registers, the priorities of on-chip peripheral module interrupts can be selected from 15 levels for different request sources.
- NMI noise canceler function
The NMI input level bit indicates the NMI pin state. The pin state can be checked by reading this bit in the interrupt exception service routine, enabling it to be used as a noise canceler.
- NMI request masking when SR.BL bit is set to 1
It is possible to select whether or not NMI requests are to be masked when the SR.BL bit is set to 1.

19.1.2 Block Diagram

Figure 19.1 shows a block diagram of the INTC.



- TMU: Timer unit
- RTC: Realtime clock unit
- SCI: Serial communication interface
- SCIF: Serial communication interface with FIFO
- WDT: Watchdog timer
- REF: Memory refresh controller section of the bus state controller
- DMAC: Direct memory access controller
- H-UDI: Hitachi user debug interface
- GPIO: I/O port
- ICR: Interrupt control register
- IPRA-IPRD: Interrupt priority registers A-D^{*1}
- INTPRI00: Interrupt priority level setting register 00^{*2}
- SR: Status register

Notes: ^{*1} IPRD is provided only in the SH7750S and SH7750R.
^{*2} INTPRI00 is provided only in the SH7750R.

Figure 19.1 Block Diagram of INTC

19.1.3 Pin Configuration

Table 19.1 shows the INTC pin configuration.

Table 19.1 INTC Pins

Pin Name	Abbreviation	I/O	Function
Nonmaskable interrupt input pin	NMI	Input	Input of nonmaskable interrupt request signal
Interrupt input pins	$\overline{\text{IRL3}}\text{--}\overline{\text{IRL0}}$	Input	Input of interrupt request signals (maskable by I3–I0 in SR)

19.1.4 Register Configuration

The INTC has the registers shown in table 19.2.

Table 19.2 INTC Registers

Name	Abbreviation	R/W	Initial Value* ¹	P4 Address	Area 7 Address	Access Size
Interrupt control register	ICR	R/W	* ²	H'FFD00000	H'1FD00000	16
Interrupt priority register A	IPRA	R/W	H'0000	H'FFD00004	H'1FD00004	16
Interrupt priority register B	IPRB	R/W	H'0000	H'FFD00008	H'1FD00008	16
Interrupt priority register C	IPRC	R/W	H'0000	H'FFD0000C	H'1FD0000C	16
Interrupt priority register D* ³	IPRD	R/W	H'DA74	H'FFD00010	H'1FD00010	16
Interrupt priority level setting register 00* ⁴	INTPRI00	R/W	H'00000000	H'FE080000	H'1E080000	32
Interrupt source register 00* ⁴	INTREQ00	R	H'00000000	H'FE080020	H'1E080020	32
Interrupt mask register 00* ⁴	INTMSK00	R/W	H'00000300	H'FE080040	H'1E080040	32
Interrupt mask clear register 00* ⁴	INTMSKCLR00	R	—	H'FE080060	H'1E080060	32

Notes: *1 Initialized by a power-on reset or manual reset.

*2 H'8000 when the NMI pin is high, H'0000 when the NMI pin is low.

*3 SH7750S and SH7750R only

*4 SH7750R only

19.2 Interrupt Sources

There are three types of interrupt sources: NMI, RL, and on-chip peripheral modules. Each interrupt has a priority level (16–0), with level 16 as the highest and level 1 as the lowest. When level 0 is set, the interrupt is masked and interrupt requests are ignored.

19.2.1 NMI Interrupt

The NMI interrupt has the highest priority level of 16. It is always accepted unless the BL bit in the status register in the CPU is set to 1. In sleep or standby mode, the interrupt is accepted even if the BL bit is set to 1.

A setting can also be made to have the NMI interrupt accepted even if the BL bit is set to 1.

Input from the NMI pin is edge-detected. The NMI edge select bit (NMIE) in the interrupt control register (ICR) is used to select either rising or falling edge. When the NMIE bit in the ICR register is modified, the NMI interrupt is not detected for a maximum of 6 bus clock cycles after the modification.

NMI interrupt exception handling does not affect the interrupt mask level bits (I3–I0) in the status register (SR).

19.2.2 IRL Interrupts

IRL interrupts are input by level at pins $\overline{\text{IRL3}}\text{--}\overline{\text{IRL0}}$. The priority level is the level indicated by pins $\overline{\text{IRL3}}\text{--}\overline{\text{IRL0}}$. An $\overline{\text{IRL3}}\text{--}\overline{\text{IRL0}}$ value of 0 (0000) indicates the highest-level interrupt request (interrupt priority level 15). A value of 15 (1111) indicates no interrupt request (interrupt priority level 0).

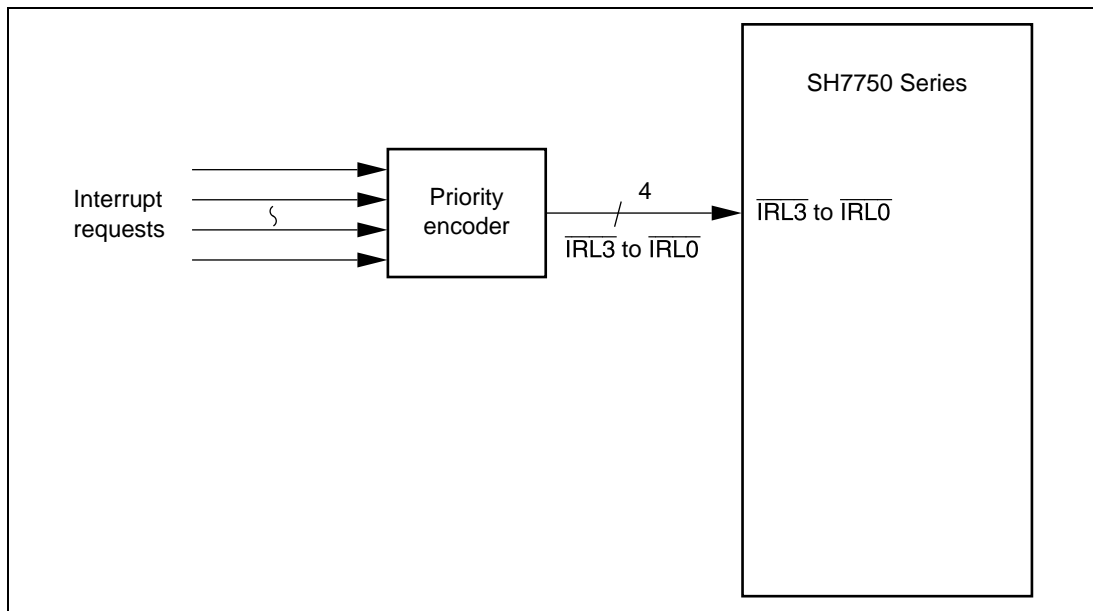


Figure 19.2 Example of IRL Interrupt Connection

Table 19.3 $\overline{\text{IRL3}}\text{--}\overline{\text{IRL0}}$ Pins and Interrupt Levels

$\overline{\text{IRL3}}$	$\overline{\text{IRL2}}$	$\overline{\text{IRL1}}$	$\overline{\text{IRL0}}$	Interrupt Priority Level	Interrupt Request
0	0	0	0	15	Level 15 interrupt request
			1	14	Level 14 interrupt request
		1	0	13	Level 13 interrupt request
			1	12	Level 12 interrupt request
	1	0	0	11	Level 11 interrupt request
			1	10	Level 10 interrupt request
		1	0	9	Level 9 interrupt request
			1	8	Level 8 interrupt request
1	0	0	0	7	Level 7 interrupt request
			1	6	Level 6 interrupt request
		1	0	5	Level 5 interrupt request
			1	4	Level 4 interrupt request
	1	0	0	3	Level 3 interrupt request
			1	2	Level 2 interrupt request
		1	0	1	Level 1 interrupt request
			1	0	No interrupt request

A noise-cancellation feature is built in, and the IRL interrupt is not detected unless the levels sampled at every bus clock cycle remain unchanged for three consecutive cycles, so that no transient level on the $\overline{\text{IRL}}$ pin change is detected. In standby mode, as the bus clock is stopped, noise cancellation is performed using the 32.768 kHz clock for the RTC instead. When the RTC is not used, therefore, interruption by means of IRL interrupts cannot be performed in standby mode.

The priority level of the IRL interrupt must not be lowered unless the interrupt is accepted and the interrupt handling starts. However, the priority level can be changed to a higher one.

The interrupt mask bits (I3–I0) in the status register (SR) are not affected by IRL interrupt handling.

Pins $\overline{\text{IRL0}}\text{--}\overline{\text{IRL3}}$ can be used for four independent interrupt requests by setting the IRLM bit to 1 in the ICR register. When independent interrupt requests are used in the SH7750, the interrupt priority levels are fixed (table 19.4). When independent interrupt requests are used in the SH7750S or SH7750R, the interrupt priority levels can be set in interrupt priority register D (IPRD).

Table 19.4 SH7750 IRL3–IRL0 Pins and Interrupt Levels (When IRLM = 1)

IRL3	IRL2	IRL1	IRL0	Interrupt Priority Level	Interrupt Request
1/0	1/0	1/0	0	13	IRL0
1/0	1/0	0	1	10	IRL1
1/0	0	1	1	7	IRL2
0	1	1	1	4	IRL3

19.2.3 On-Chip Peripheral Module Interrupts

On-chip peripheral module interrupts are generated by the following nine modules:

- Hitachi user debug interface (H-UDI)
- Direct memory access controller (DMAC)
- Timer unit (TMU)
- Realtime clock (RTC)
- Serial communication interface (SCI)
- Serial communication interface with FIFO (SCIF)
- Bus state controller (BSC)
- Watchdog timer (WDT)
- I/O port (GPIO)

Not every interrupt source is assigned a different interrupt vector, bus sources are reflected in the interrupt event register (INTEVT), so it is easy to identify sources by using the INTEVT register value as a branch offset in the exception handling routine.

A priority level from 15 to 0 can be set for each module by means of interrupt priority registers A to D (IPRA–IPRD), 00 (INTPRI00).

The interrupt mask bits (I3–I0) in the status register (SR) are not affected by on-chip peripheral module interrupt handling.

On-chip peripheral module interrupt source flag and interrupt enable flag updating should only be carried out when the BL bit in the status register (SR) is set to 1. To prevent acceptance of an erroneous interrupt from an interrupt source that should have been updated, first read the on-chip peripheral register containing the relevant flag, then clear the BL bit to 0. In the case of interrupts on channel 3 or 4 of the TMU, also read from the interrupt source register 00 (INTREQ00). This will secure the necessary timing internally. When updating a number of flags, there is no problem if only the register containing the last flag updated is read.

If flag updating is performed while the BL bit is cleared to 0, the program may jump to the interrupt handling routine when the INTEVT register value is 0. In this case, interrupt handling is initiated due to the timing relationship between the flag update and interrupt request recognition within the chip. Processing can be continued without any problem by executing an RTE instruction.

19.2.4 Interrupt Exception Handling and Priority

Table 19.5 lists the codes for the interrupt event register (INTEVT), and the order of interrupt priority. Each interrupt source is assigned a unique INTEVT code. The start address of the interrupt handler is common to each interrupt source. This is why, for instance, the value of INTEVT is used as an offset at the start of the interrupt handler and branched to in order to identify the interrupt source.

The order of priority of the on-chip peripheral modules is specified as desired by setting priority levels from 0 to 15 in interrupt priority registers A to D (IPRA–IPRD). The order of priority of the on-chip peripheral modules is set to 0 by a reset.

When the priorities for multiple interrupt sources are set to the same level and such interrupts are generated simultaneously, they are handled according to the default priority order shown in table 19.5.

Updating of interrupt priority registers A to D, 00 should only be carried out when the BL bit in the status register (SR) is set to 1. To prevent erroneous interrupt acceptance, first read one of the interrupt priority registers, then clear the BL bit to 0. This will secure the necessary timing internally.

H-UDI: Hitachi use debug interface

GPIOI: I/O port interrupt

DMTE0–DMTE7: DMAC transfer end interrupts

DMAE: DMAC address error interrupt

*1 Interrupt priority levels can only be changed in the SH7750S or SH7750R. In the SH7750, the initial values cannot be changed.

*2 SH7750R only

19.3 Register Descriptions

19.3.1 Interrupt Priority Registers A to D (IPRA–IPRD)

Interrupt priority registers A to D (IPRA–IPRD) are 16-bit readable/writable registers that set priority levels from 0 to 15 for on-chip peripheral module interrupts. IPRA to IPRC are initialized to H'0000 and IPRD is to H'DA74 by a reset. They are not initialized in standby mode.

IPRA to IPRC

Bit:	15	14	13	12	11	10	9	8
Initial value:	0	0	0	0	0	0	0	0
R/W:	R/W	R/W	R/W	R/W	R/W	R/W	R/W	R/W

Bit:	7	6	5	4	3	2	1	0
Initial value:	0	0	0	0	0	0	0	0
R/W:	R/W	R/W	R/W	R/W	R/W	R/W	R/W	R/W

IPRD (SH7750S and SH7750R only)

Bit:	15	14	13	12	11	10	9	8
Initial value:	1	1	0	1	1	0	1	0
R/W:	R/W	R/W	R/W	R/W	R/W	R/W	R/W	R/W

Bit:	7	6	5	4	3	2	1	0
Initial value:	0	1	1	1	0	1	0	0
R/W:	R/W	R/W	R/W	R/W	R/W	R/W	R/W	R/W

Table 19.6 shows the relationship between the interrupt request sources and the IPRA–IPRD register bits.

Table 19.6 Interrupt Request Sources and IPRA–IPRD Registers

Register	Bits			
	15–12	11–8	7–4	3–0
Interrupt priority register A	TMU0	TMU1	TMU2	RTC
Interrupt priority register B	WDT	REF* ¹	SCI1	Reserved* ²
Interrupt priority register C	GPIO	DMAC	SCIF	H-UDI
Interrupt priority register D* ³	IRL0	IRL1	IRL2	IRL3

Notes: *1 REF is the memory refresh unit in the bus state controller (BSC). See section 13, Bus State Controller (BSC), for details.

*2 Reserved bits: These bits are always read as 0 and should always be written with 0.

*3 SH7750S and SH7750R only

As shown in table 19.6, four on-chip peripheral modules are assigned to each register. Interrupt priority levels are established by setting a value from H'F (1111) to H'0 (0000) in each of the four-bit groups: 15–12, 11–8, 7–4, and 3–0. Setting H'F designates priority level 15 (the highest level), and setting H'0 designates priority level 0 (requests are masked).

19.3.2 Interrupt Control Register (ICR)

The interrupt control register (ICR) is a 16-bit register that sets the input signal detection mode for external interrupt input pin NMI and indicates the input signal level at the NMI pin. This register is initialized by a power-on reset or manual reset. It is not initialized in standby mode.

Bit:	15	14	13	12	11	10	9	8
Bit name:	NMIL	MAI	—	—	—	—	NMIB	NMIE
Initial value:	0/1*	0	0	0	0	0	0	0
R/W:	R	R/W	—	—	—	—	R/W	R/W

Bit:	7	6	5	4	3	2	1	0
Bit name:	IRLM	—	—	—	—	—	—	—
Initial value:	0	0	0	0	0	0	0	0
R/W:	R/W	—	—	—	—	—	—	—

Note: * 1 when NMI pin input is high, 0 when low.

Bit 15—NMI Input Level (NMIL): Sets the level of the signal input at the NMI pin. This bit can be read to determine the NMI pin level. It cannot be modified.

Bit 15: NMIL	Description
0	NMI pin input level is low
1	NMI pin input level is high

Bit 14—NMI Interrupt Mask (MAI): Specifies whether or not all interrupts are to be masked while the NMI pin input level is low, irrespective of the CPU's SR.BL bit.

Bit 14: MAI	Description
0	Interrupts enabled even while NMI pin is low (Initial value)
1	Interrupts disabled while NMI pin is low*

Note: *NMI interrupts are accepted in normal operation and in sleep mode.

In standby mode, all interrupts are masked, and standby is not cleared, while the NMI pin is low.

Bit 9—NMI Block Mode (NMIB): Specifies whether an NMI request is to be held pending or detected immediately while the SR.BL bit is set to 1.

Bit 9: NMIB	Description
0	NMI interrupt requests held pending while SR.BL bit is set to 1 (Initial value)
1	NMI interrupt requests detected while SR.BL bit is set to 1

Notes: 1. If interrupt requests are enabled while SR.BL = 1, the previous exception information will be lost, and so must be saved beforehand.

2. This bit is cleared automatically by NMI acceptance.

Bit 8—NMI Edge Select (NMIE): Specifies whether the falling or rising edge of the interrupt request signal to the NMI pin is detected.

Bit 8: NMIE	Description
0	Interrupt request detected on falling edge of NMI input (Initial value)
1	Interrupt request detected on rising edge of NMI input

Bit 7—IRL Pin Mode (IRLM): Specifies whether pins $\overline{\text{IRL3}}\text{--}\overline{\text{IRL0}}$ are to be used as level-encoded interrupt requests or as four independent interrupt requests.

Bit 7: IRLM	Description
0	$\overline{\text{IRL}}$ pins used as level-encoded interrupt requests (Initial value)
1	$\overline{\text{IRL}}$ pins used as four independent interrupt requests (level-sense IRQ mode)

Bits 13 to 10 and 6 to 0—Reserved: These bits are always read as 0, and should only be written with 0.

19.3.3 Interrupt-Priority-Level Setting Register 00 (INTPRI00) (SH7750R Only)

The interrupt-priority-level setting register 00 (INTPRI00) sets the priority levels (levels 15–0) for the on-chip peripheral module interrupts. INTPRI00 is a 32-bit readable/writable register. It is initialized to H'00000000 by a reset, but is not initialized when the device enters standby mode.

Bit:	31	30	29	28	27	26	25	24	23	22	21	20	19	18	17	16
Initial value:	0	0	0	0	0	0	0	0	0	0	0	0	0	0	0	0
R/W:	R	R	R	R	R	R	R	R	R	R	R	R	R	R	R	R
Bit:	15	14	13	12	11	10	9	8	7	6	5	4	3	2	1	0
Initial value:	0	0	0	0	0	0	0	0	0	0	0	0	0	0	0	0
R/W:	R/W	R/W	R/W	R/W	R/W	R/W	R/W	R/W	R	R	R	R	R	R	R	R

Table 19.7 shows the correspondence between interrupt request sources and the bits in INTPRI00.

Table 19.7 Interrupt Request Sources and the Bits of the INTPRI00 Register

Register	Bit							
	31 to 28	27 to 24	23 to 20	19 to 16	15 to 12	11 to 8	7 to 4	3 to 0
Interrupt-priority-level setting register 00	Reserved	Reserved	Reserved	Reserved	TMU ch4	TMU ch3	Reserved	Reserved

Note: As shown in the table above, levels for all eight on-chip peripheral modules are assigned in a single register. The interrupt priority level for the interrupt source that corresponds to each set of four bits is set as a value from H'F (1111) to H'0 (0000). The setting H'F selects interrupt priority level 15, which is the highest, and H'0 selects level 0, which means that interrupt requests from that source are masked.

Reserved bits are always read as 0. When writing, only 0s should be written to these bits.

19.3.4 Interrupt Source Register 00 (INTREQ00) (SH7750R Only)

The interrupt source register 00 (INTREQ00) indicates the origin of the interrupt request that has been sent to the INTC. The states of the bits in this register is not affected by masking of the corresponding interrupts by the settings in the INTPRI00 or INTMSK00 register. INTREQ00 is a 32-bit read-only register.

Bit:	31	30	29	28	27	26	25	24	23	22	21	20	19	18	17	16
Initial value:	0	0	0	0	0	0	0	0	0	0	0	0	0	0	0	0
R/W:	R	R	R	R	R	R	R	R	R	R	R	R	R	R	R	R
Bit:	15	14	13	12	11	10	9	8	7	6	5	4	3	2	1	0
Initial value:	0	0	0	0	0	0	0	0	0	0	0	0	0	0	0	0
R/W:	R	R	R	R	R	R	R	R	R	R	R	R	R	R	R	R

Bit 31 to 0—Interrupt Request: Each of the non-reserved bits in this register indicates that there is an interrupt request relevant to that bit. For the correspondence between the bits and interrupt sources, see section 19.3.7, Bit Assignments of INTREQ00, INTMSK00, and INTMSKCLR00 (SH7750R Only).

Bits 31 to 0	Description
0	There is no interrupt request that corresponds to this bit
1	There is an interrupt request that corresponds to this bit.

19.3.5 Interrupt Mask Register 00 (INTMSK00) (SH7750R Only)

The interrupt mask register 00 (INTMSK00) sets the masking of individual interrupt requests. INTMSK00 is a 32-bit register. It is initialized to H'000003FF by a reset, and retains this value in standby mode.

To cancel masking of an interrupt, write a 1 to the corresponding bit in the INTMSKCLR00 register. Note that writing a 0 to a bit in INTMSK00 does not change its value.

	Bit:	31	30	29	28	27	26	25	24	23	22	21	20	19	18	17	16
Initial value:		0	0	0	0	0	0	0	0	0	0	0	0	0	0	0	0
R/W:		R	R	R	R	R	R	R	R	R	R	R	R	R	R	R	R
	Bit:	15	14	13	12	11	10	9	8	7	6	5	4	3	2	1	0
Initial value:		0	0	0	0	0	1	1	1	1	1	1	1	1	1	1	1
R/W:		R	R	R	R	R	R/W	R/W	R/W	R/W	R/W	R/W	R/W	R/W	R/W	R/W	R/W

Bit 31 to 0—Interrupt Mask: Sets the masking of the interrupt request that corresponds to the given bit. For the correspondence between bits and interrupt sources, see section 19.3.7, Bit Assignments of INTREQ00, INTMSK00, and INTMSKCLR00 (SH7750R Only).

Bits 31 to 0	Description
0	Interrupt requests from the source that corresponds to this bit are accepted
1	Interrupt requests from the source that corresponds to this bit are masked (Initial value)

19.3.6 Interrupt Mask Clear Register 00 (INTMSKCLR00) (SH7750R Only)

The interrupt mask clear register 00 (INTMSKCLR00) clears the masking of individual interrupt requests. INTMSKCLR00 is a 32-bit write-only register.

	Bit:	31	30	29	28	27	26	25	24	23	22	21	20	19	18	17	16
Initial value:		—	—	—	—	—	—	—	—	—	—	—	—	—	—	—	—
R/W:		W	W	W	W	W	W	W	W	W	W	W	W	W	W	W	W
	Bit:	15	14	13	12	11	10	9	8	7	6	5	4	3	2	1	0
Initial value:		—	—	—	—	—	—	—	—	—	—	—	—	—	—	—	—
R/W:		W	W	W	W	W	W	W	W	W	W	W	W	W	W	W	W

Bit 31 to 0—Interrupt Mask Clear: Each bit selects whether or not to clear the masking of the interrupt source that corresponds to that bit. For the correspondence between the bits and interrupt sources, see section 19.3.7, Bit Assignments of INTREQ00, INTMSK00, and INTMSKCLR00 (SH7750R Only).

Bits 31 to 0	Description
0	Masking of interrupt requests from the source that corresponds to the bit is not changed
1	Masking of interrupt requests from the source that corresponds to the bit is cleared

19.3.7 Bit Assignments of INTREQ00, INTMSK00, and INTMSKCLR00 (SH7750R Only)

The relationship between the bits in these registers and interrupt sources is as shown below.

Table 19.8 Bit Assignments

Bit number	Module	Interrupt
31 to 10, 7 to 0	Reserved	Reserved
9	TMU	TUNI4
8	TMU	TUNI3

19.4 INTC Operation

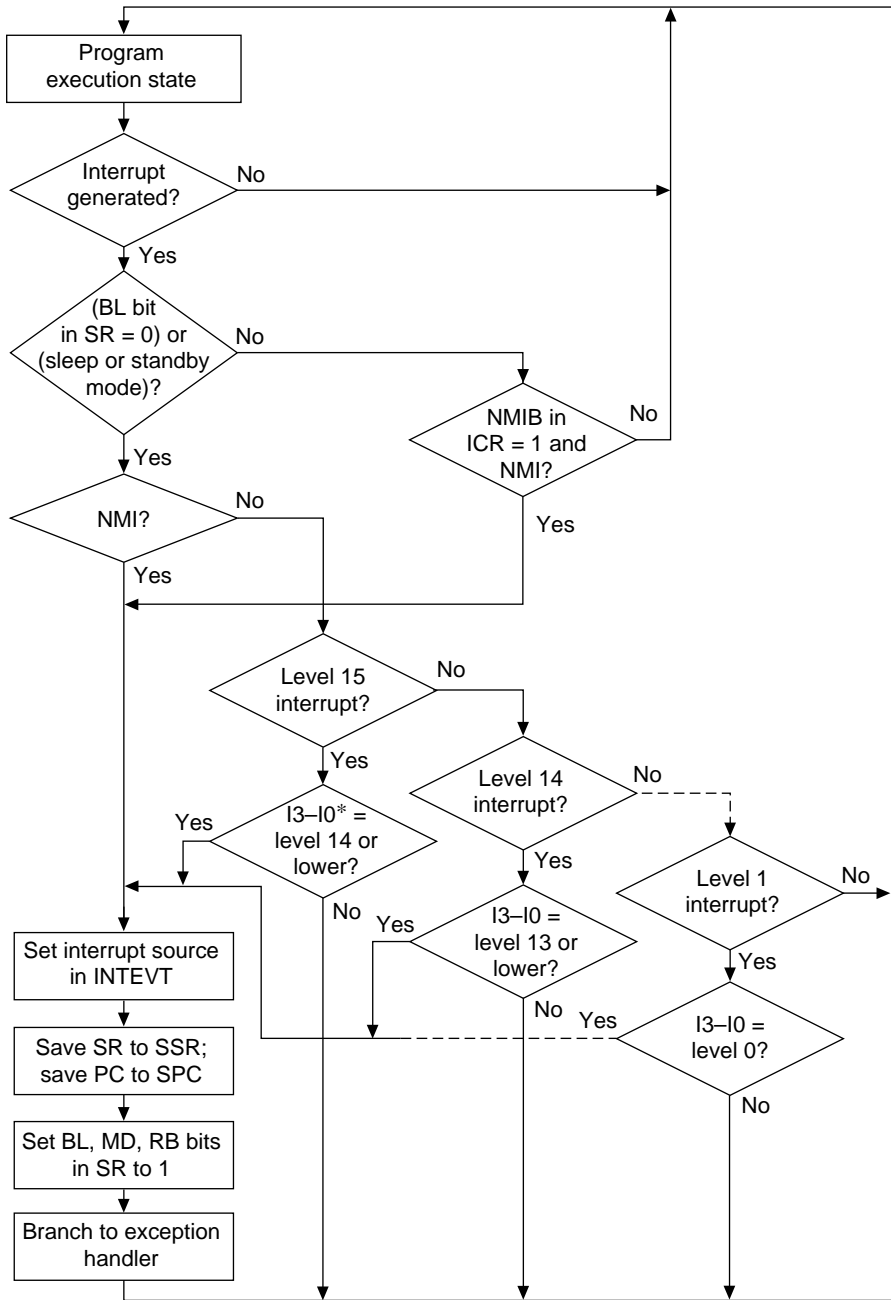
19.4.1 Interrupt Operation Sequence

The sequence of operations when an interrupt is generated is described below. Figure 19.3 shows a flowchart of the operations.

1. The interrupt request sources send interrupt request signals to the interrupt controller.
2. The interrupt controller selects the highest-priority interrupt from the interrupt requests sent, according to the priority levels set in interrupt priority registers A to C (IPRA–IPRC). Lower-priority interrupts are held pending. If two of these interrupts have the same priority level, or if multiple interrupts occur within a single module, the interrupt with the highest priority according to table 19.5, Interrupt Exception Handling Sources and Priority Order, is selected.
3. The priority level of the interrupt selected by the interrupt controller is compared with the interrupt mask bits (I3–I0) in the status register (SR) of the CPU. If the request priority level is higher than the level in bits I3–I0, the interrupt controller accepts the interrupt and sends an interrupt request signal to the CPU.
4. The CPU accepts an interrupt at a break between instructions.
5. The interrupt source code is set in the interrupt event register (INTEVT).
6. The status register (SR) and program counter (PC) are saved to SSR and SPC, respectively. The R15 contents at this time are saved in SGR.
7. The block bit (BL), mode bit (MD), and register bank bit (RB) in SR are set to 1.
8. The CPU jumps to the start address of the interrupt handler (the sum of the value set in the vector base register (VBR) and H'00000600).

The interrupt handler may branch with the INTEVT register value as its offset in order to identify the interrupt source. This enables it to branch to the handling routine for the particular interrupt source.

- Notes:
1. The interrupt mask bits (I3–I0) in the status register (SR) are not changed by acceptance of an interrupt in the SH7750 Series.
 2. The interrupt source flag should be cleared in the interrupt handler. To ensure that an interrupt request that should have been cleared is not inadvertently accepted again, read the interrupt source flag after it has been cleared, then wait for the interval shown in table 19.7 (Time for priority decision and SR mask bit comparison) before clearing the BL bit or executing an RTE instruction.
 3. For some interrupt sources, their interrupt masks (INTMSK00) must be cleared using the INTMSKCLR00 register.



Note: * I3-I0: Interrupt mask bits in status register (SR)

Figure 19.3 Interrupt Operation Flowchart

19.4.2 Multiple Interrupts

When handling multiple interrupts, interrupt handling should include the following procedures:

1. Branch to a specific interrupt handler corresponding to a code set in the INTEVT register. The code in INTEVT can be used as a branch-offset for branching to the specific handler.
2. Clear the interrupt source in the corresponding interrupt handler.
3. Save SPC and SSR to the stack.
4. Clear the BL bit in SR, and set the accepted interrupt level in the interrupt mask bits in SR.
5. Handle the interrupt.
6. Set the BL bit in SR to 1.
7. Restore SSR and SPC from memory.
8. Execute the RTE instruction.

When these procedures are followed in order, an interrupt of higher priority than the one being handled can be accepted after clearing BL in step 4. This enables the interrupt response time to be shortened for urgent processing.

19.4.3 Interrupt Masking with MAI Bit

By setting the MAI bit to 1 in the ICR register, it is possible to mask interrupts while the NMI pin is low, irrespective of the BL and IMASK bits in the SR register.

- In normal operation and sleep mode
All interrupts are masked while the NMI pin is low. However, an NMI interrupt only is generated by a transition at the NMI pin.
- In standby mode
All interrupts are masked while the NMI pin is low, and an NMI interrupt is not generated by a transition at the NMI pin. Therefore, standby cannot be cleared by an NMI interrupt while the MAI bit is set to 1.

19.5 Interrupt Response Time

The time from generation of an interrupt request until interrupt exception handling is performed and fetching of the first instruction of the exception service routine is started (the interrupt response time) is shown in table 19.9.

Table 19.9 Interrupt Response Time

Item	Number of States			Notes	
	NMI	RL	Peripheral Modules		
Time for priority decision and SR mask bit comparison*	1lcyc + 4Bcyc	1lcyc + 7Bcyc	1lcyc + 2Bcyc		
Wait time until end of sequence being executed by CPU	$S - 1 (\geq 0) \times$ lcyc	$S - 1 (\geq 0) \times$ lcyc	$S - 1 (\geq 0) \times$ lcyc		
Time from interrupt exception handling (save of SR and PC) until fetch of first instruction of exception handler is started	$4 \times$ lcyc	$4 \times$ lcyc	$4 \times$ lcyc		
Response time	Total	5lcyc + 4Bcyc + $(S - 1)$ lcyc	5lcyc + 7Bcyc + $(S - 1)$ lcyc	5lcyc + 2Bcyc + $(S - 1)$ lcyc	
	Minimum case	13lcyc	19lcyc	9lcyc	When lcyc: Bcyc = 2:1
	Maximum case	$36 + S$ lcyc	$60 + S$ lcyc	$20 + S$ lcyc	When lcyc: Bcyc = 8:1

lcyc: One cycle of internal clock supplied to CPU, etc.

Bcyc: One CKIO cycle

S: Latency of instruction

Note: * In the SH7750 and SH7750S including the case where the mask bit (IMASK) in SR is changed, and a new interrupt is generated.

Section 20 User Break Controller (UBC)

20.1 Overview

The user break controller (UBC) provides functions that simplify program debugging. When break conditions are set in the UBC, a user break interrupt is generated according to the contents of the bus cycle generated by the CPU. This function makes it easy to design an effective self-monitoring debugger, enabling programs to be debugged with the chip alone, without using an in-circuit emulator.

20.1.1 Features

The UBC has the following features.

- Two break channels (A and B)
User break interrupts can be generated on independent conditions for channels A and B, or on sequential conditions (sequential break setting: channel A → channel B).
- The following can be set as break compare conditions:
 - Address (selection of 32-bit virtual address and ASID for comparison):
Address: All bits compared/lower 10 bits masked/lower 12 bits masked/lower 16 bits masked/lower 20 bits masked/all bits masked
ASID: All bits compared/all bits masked
 - Data (channel B only, 32-bit mask capability)
 - Bus cycle: Instruction access/operand access
 - Read/write
 - Operand size: Byte/word/longword/quadword
- An instruction access cycle break can be effected before or after the instruction is executed.

20.1.2 Block Diagram

Figure 20.1 shows a block diagram of the UBC.

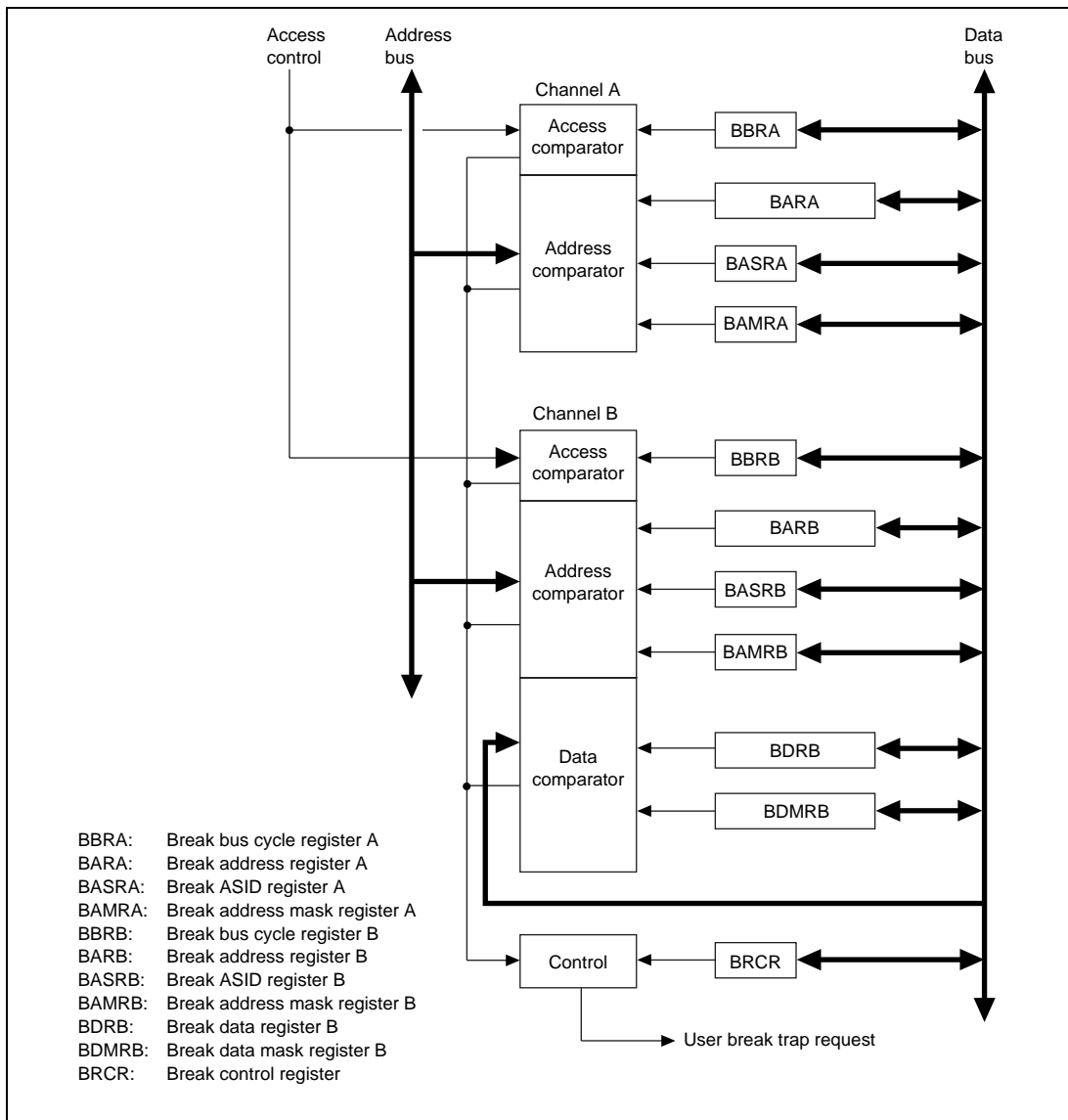


Figure 20.1 Block Diagram of User Break Controller

Table 20.1 shows the UBC registers.

Table 20.1 UBC Registers

Name	Abbreviation	R/W	Initial Value	P4 Address	Area 7 Address	Access Size
Break address register A	BARA	R/W	Undefined	H'FF200000	H'1F200000	32
Break address mask register A	BAMRA	R/W	Undefined	H'FF200004	H'1F200004	8
Break bus cycle register A	BBRA	R/W	H'0000	H'FF200008	H'1F200008	16
Break ASID register A	BASRA	R/W	Undefined	H'FF000014	H'1F000014	8
Break address register B	BARB	R/W	Undefined	H'FF20000C	H'1F20000C	32
Break address mask register B	BAMRB	R/W	Undefined	H'FF200010	H'1F200010	8
Break bus cycle register B	BBRB	R/W	H'0000	H'FF200014	H'1F200014	16
Break ASID register B	BASRB	R/W	Undefined	H'FF000018	H'1F000018	8
Break data register B	BDRB	R/W	Undefined	H'FF200018	H'1F200018	32
Break data mask register B	BDMRB	R/W	Undefined	H'FF20001C	H'1F20001C	32
Break control register	BRCR	R/W	H'0000*	H'FF200020	H'1F200020	16

Note: * Some bits are not initialized. See section 20.2.12, Break Control Register (BRCR), for details.

20.2 Register Descriptions

20.2.1 Access to UBC Control Registers

The access size must be the same as the control register size. If the sizes are different, a write will not be effected in a UBC register write operation, and a read operation will return an undefined value. UBC control register contents cannot be transferred to a floating-point register using a floating-point memory load instruction.

When a UBC control register is updated, use either of the following methods to make the updated value valid:

1. Execute an RTE instruction after the memory store instruction that updated the register. The updated value will be valid from the RTE instruction jump destination onward.
2. Execute instructions requiring 5 states for execution after the memory store instruction that updated the register. As the SH7750 Series executes two instructions in parallel and a minimum of 0.5 state is required for execution of one instruction, 11 instructions must be inserted. The updated value will be valid from the 6th state onward.

20.2.2 Break Address Register A (BARA)

Bit:	31	30	29	28	27	26	25	24
	BAA31	BAA30	BAA29	BAA28	BAA27	BAA26	BAA25	BAA24
Initial value:	*	*	*	*	*	*	*	*
R/W:	R/W	R/W	R/W	R/W	R/W	R/W	R/W	R/W
Bit:	23	22	21	20	19	18	17	16
	BAA23	BAA22	BAA21	BAA20	BAA19	BAA18	BAA17	BAA16
Initial value:	*	*	*	*	*	*	*	*
R/W:	R/W	R/W	R/W	R/W	R/W	R/W	R/W	R/W
Bit:	15	14	13	12	11	10	9	8
	BAA15	BAA14	BAA13	BAA12	BAA11	BAA10	BAA9	BAA8
Initial value:	*	*	*	*	*	*	*	*
R/W:	R/W	R/W	R/W	R/W	R/W	R/W	R/W	R/W
Bit:	7	6	5	4	3	2	1	0
	BAA7	BAA6	BAA5	BAA4	BAA3	BAA2	BAA1	BAA0
Initial value:	*	*	*	*	*	*	*	*
R/W:	R/W	R/W	R/W	R/W	R/W	R/W	R/W	R/W

Note: *: Undefined

Break address register A (BARA) is a 32-bit readable/writable register that specifies the virtual address used in the channel A break conditions. BARA is not initialized by a power-on reset or manual reset.

Bits 31 to 0—Break Address A31 to A0 (BAA31–BAA0): These bits hold the virtual address (bits 31–0) used in the channel A break conditions.

20.2.3 Break ASID Register A (BASRA)

Bit:	7	6	5	4	3	2	1	0
	BASA7	BASA6	BASA5	BASA4	BASA3	BASA2	BASA1	BASA0
Initial value:	*	*	*	*	*	*	*	*
R/W:	R/W	R/W	R/W	R/W	R/W	R/W	R/W	R/W

Note: *: Undefined

Break ASID register A (BASRA) is an 8-bit readable/writable register that specifies the ASID used in the channel A break conditions. BASRA is not initialized by a power-on reset or manual reset.

Bits 7 to 0—Break ASID A7 to A0 (BASA7–BASA0): These bits hold the ASID (bits 7–0) used in the channel A break conditions.

20.2.4 Break Address Mask Register A (BAMRA)

Bit:	7	6	5	4	3	2	1	0
	—	—	—	—	BAMA2	BASMA	BAMA1	BAMA0
Initial value:	0	0	0	0	*	*	*	*
R/W:	R	R	R	R	R/W	R/W	R/W	R/W

Note: *: Undefined

Break address mask register A (BAMRA) is an 8-bit readable/writable register that specifies which bits are to be masked in the break ASID set in BASRA and the break address set in BARA. BAMRA is not initialized by a power-on reset or manual reset.

Bits 7 to 4—Reserved: These bits are always read as 0, and should only be written with 0.

Bit 2—Break ASID Mask A (BASMA): Specifies whether all bits of the channel A break ASID7 to ASID0 (BASA7–BASA0) are to be masked.

Bit 2: BASMA	Description
0	All BASRA bits are included in break conditions
1	No BASRA bits are included in break conditions

Bits 3, 1, and 0—Break Address Mask A2 to A0 (BAMA2–BAMA0): These bits specify which bits of the channel A break address 31 to 0 (BAA31–BAA0) set in BARA are to be masked.

Bit 3: BAMA2	Bit 1: BAMA1	Bit 0: BAMA0	Description
0	0	0	All BARA bits are included in break conditions
		1	Lower 10 bits of BARA are masked, and not included in break conditions
	1	0	Lower 12 bits of BARA are masked, and not included in break conditions
		1	All BARA bits are masked, and not included in break conditions
1	0	0	Lower 16 bits of BARA are masked, and not included in break conditions
		1	Lower 20 bits of BARA are masked, and not included in break conditions
	1	*	Reserved (cannot be set)

Note: *: Don't care

20.2.5 Break Bus Cycle Register A (BBRA)

Bit:	15	14	13	12	11	10	9	8
	—	—	—	—	—	—	—	—
Initial value:	0	0	0	0	0	0	0	0
R/W:	R	R	R	R	R	R	R	R
Bit:	7	6	5	4	3	2	1	0
	—	SZA2	IDA1	IDA0	RWA1	RWA0	SZA1	SZA0
Initial value:	0	0	0	0	0	0	0	0
R/W:	R	R/W	R/W	R/W	R/W	R/W	R/W	R/W

Break bus cycle register A (BBRA) is a 16-bit readable/writable register that sets three conditions—(1) instruction access/operand access, (2) read/write, and (3) operand size—from among the channel A break conditions.

BBRA is initialized to H'0000 by a power-on reset. It retains its value in standby mode.

Bits 15 to 7—Reserved: These bits are always read as 0, and should only be written with 0.

Bits 5 and 4—Instruction Access/Operand Access Select A (IDA1, IDA0): These bits specify whether an instruction access cycle or an operand access cycle is used as the bus cycle in the channel A break conditions.

Bit 5: IDA1	Bit 4: IDA0	Description
0	0	Condition comparison is not performed (Initial value)
	1	Instruction access cycle is used as break condition
1	0	Operand access cycle is used as break condition
	1	Instruction access cycle or operand access cycle is used as break condition

Bits 3 and 2—Read/Write Select A (RWA1, RWA0): These bits specify whether a read cycle or write cycle is used as the bus cycle in the channel A break conditions.

Bit 3: RWA1	Bit 2: RWA0	Description
0	0	Condition comparison is not performed (Initial value)
	1	Read cycle is used as break condition
1	0	Write cycle is used as break condition
	1	Read cycle or write cycle is used as break condition

Bits 6, 1, and 0—Operand Size Select A (SZA2–SZA0): These bits select the operand size of the bus cycle used as a channel A break condition.

Bit 6: SZA2	Bit 1: SZA1	Bit 0: SZA0	Description
0	0	0	Operand size is not included in break conditions (Initial value)
		1	Byte access is used as break condition
	1	0	Word access is used as break condition
		1	Longword access is used as break condition
1	0	0	Quadword access is used as break condition
		1	Reserved (cannot be set)
	1	*	Reserved (cannot be set)

Note: *: Don't care

20.2.6 Break Address Register B (BARB)

BARB is the channel B break address register. The bit configuration is the same as for BARA.

20.2.7 Break ASID Register B (BASRB)

BASRB is the channel B break ASID register. The bit configuration is the same as for BASRA.

20.2.8 Break Address Mask Register B (BAMRB)

BAMRB is the channel B break address mask register. The bit configuration is the same as for BAMRA.

20.2.9 Break Data Register B (BDRB)

Bit:	31	30	29	28	27	26	25	24
	BDB31	BDB30	BDB29	BDB28	BDB27	BDB26	BDB25	BDB24
Initial value:	*	*	*	*	*	*	*	*
R/W:	R/W	R/W	R/W	R/W	R/W	R/W	R/W	R/W
Bit:	23	22	21	20	19	18	17	16
	BDB23	BDB22	BDB21	BDB20	BDB19	BDB18	BDB17	BDB16
Initial value:	*	*	*	*	*	*	*	*
R/W:	R/W	R/W	R/W	R/W	R/W	R/W	R/W	R/W
Bit:	15	14	13	12	11	10	9	8
	BDB15	BDB14	BDB13	BDB12	BDB11	BDB10	BDB9	BDB8
Initial value:	*	*	*	*	*	*	*	*
R/W:	R/W	R/W	R/W	R/W	R/W	R/W	R/W	R/W
Bit:	7	6	5	4	3	2	1	0
	BDB7	BDB6	BDB5	BDB4	BDB3	BDB2	BDB1	BDB0
Initial value:	*	*	*	*	*	*	*	*
R/W:	R/W	R/W	R/W	R/W	R/W	R/W	R/W	R/W

Note: *: Undefined

Break data register B (BDRB) is a 32-bit readable/writable register that specifies the data (bits 31–0) to be used in the channel B break conditions. BDRB is not initialized by a power-on reset or manual reset.

Bits 31 to 0—Break Data B31 to B0 (BDB31–BDB0): These bits hold the data (bits 31–0) to be used in the channel B break conditions.

20.2.10 Break Data Mask Register B (BDMRB)

Bit:	31	30	29	28	27	26	25	24
	BDMB31	BDMB30	BDMB29	BDMB28	BDMB27	BDMB26	BDMB25	BDMB24
Initial value:	*	*	*	*	*	*	*	*
R/W:	R/W	R/W	R/W	R/W	R/W	R/W	R/W	R/W
Bit:	23	22	21	20	19	18	17	16
	BDMB23	BDMB22	BDMB21	BDMB20	BDMB19	BDMB18	BDMB17	BDMB16
Initial value:	*	*	*	*	*	*	*	*
R/W:	R/W	R/W	R/W	R/W	R/W	R/W	R/W	R/W
Bit:	15	14	13	12	11	10	9	8
	BDMB15	BDMB14	BDMB13	BDMB12	BDMB11	BDMB10	BDMB9	BDMB8
Initial value:	*	*	*	*	*	*	*	*
R/W:	R/W	R/W	R/W	R/W	R/W	R/W	R/W	R/W
Bit:	7	6	5	4	3	2	1	0
	BDMB7	BDMB6	BDMB5	BDMB4	BDMB3	BDMB2	BDMB1	BDMB0
Initial value:	*	*	*	*	*	*	*	*
R/W:	R/W	R/W	R/W	R/W	R/W	R/W	R/W	R/W

Note: *: Undefined

Break data mask register B (BDMRB) is a 32-bit readable/writable register that specifies which bits of the break data set in BDRB are to be masked. BDMRB is not initialized by a power-on reset or manual reset.

Bits 31 to 0—Break Data Mask B31 to B0 (BDMB31–BDMB0): These bits specify whether the corresponding bit of the channel B break data B31 to B0 (BDB31–BDB0) set in BDRB is to be masked.

Bit 31–0: BDMBn	Description
0	Channel B break data bit BDBn is included in break conditions
1	Channel B break data bit BDBn is masked, and not included in break conditions

n = 31 to 0

Note: When the data bus value is included in the break conditions, the operand size should be specified. When byte size is specified, set the same data in bits 15–8 and 7–0 of BDRB and BDMRB.

20.2.11 Break Bus Cycle Register B (BBRB)

BBRB is the channel B bus break register. The bit configuration is the same as for BBRA.

20.2.12 Break Control Register (BRCR)

Bit:	15	14	13	12	11	10	9	8
	CMFA	CMFB	—	—	—	PCBA	—	—
Initial value:	0	0	0	0	0	*	0	0
R/W:	R/W	R/W	R	R	R	R/W	R	R
Bit:	7	6	5	4	3	2	1	0
	DBEB	PCBB	—	—	SEQ	—	—	UBDE
Initial value:	*	*	0	0	*	0	0	0
R/W:	R/W	R/W	R	R	R/W	R	R	R/W

Note: *: Undefined

The break control register (BRCR) is a 16-bit readable/writable register that specifies (1) whether channels A and B are to be used as two independent channels or in a sequential condition, (2) whether the break is to be effected before or after instruction execution, (3) whether the BDRB register is to be included in the channel B break conditions, and (4) whether the user break debug function is to be used. BRCR also contains condition match flags. The CMFA, CMFB, and UBDE bits in BRCR are initialized to 0 by a power-on reset, but retain their value in standby mode. The value of the PCBA, DBEB, PCBB, and SEQ bits is undefined after a power-on reset or manual reset, so these bits should be initialized by software as necessary.

Bit 15—Condition Match Flag A (CMFA): Set to 1 when a break condition set for channel A is satisfied. This flag is not cleared to 0 (to confirm that the flag is set again after once being set, it should be cleared with a write.)

Bit 15: CMFA	Description
0	Channel A break condition is not matched (Initial value)
1	Channel A break condition match has occurred

Bit 14—Condition Match Flag B (CMFB): Set to 1 when a break condition set for channel B is satisfied. This flag is not cleared to 0 (to confirm that the flag is set again after once being set, it should be cleared with a write.)

Bit 14: CMFB	Description
0	Channel B break condition is not matched (Initial value)
1	Channel B break condition match has occurred

Bits 13 to 11—Reserved: These bits are always read as 0, and should only be written with 0.

Bit 10—Instruction Access Break Select A (PCBA): Specifies whether a channel A instruction access cycle break is to be effected before or after the instruction is executed. This bit is not initialized by a power-on reset or manual reset.

Bit 10: PCBA	Description
0	Channel A PC break is effected before instruction execution
1	Channel A PC break is effected after instruction execution

Bits 9 and 8—Reserved: These bits are always read as 0, and should only be written with 0.

Bit 7—Data Break Enable B (DBEB): Specifies whether the data bus condition is to be included in the channel B break conditions. This bit is not initialized by a power-on reset or manual reset.

Bit 7: DBEB	Description
0	Data bus condition is not included in channel B conditions
1	Data bus condition is included in channel B conditions

Note: When the data bus is included in the break conditions, bits IDB1–0 in break bus cycle register B (BBRB) should be set to 10 or 11.

Bit 6—PC Break Select B (PCBB): Specifies whether a channel B instruction access cycle break is to be effected before or after the instruction is executed. This bit is not initialized by a power-on reset or manual reset.

Bit 6: PCBB	Description
0	Channel B PC break is effected before instruction execution
1	Channel B PC break is effected after instruction execution

Bits 5 and 4—Reserved: These bits are always read as 0, and should only be written with 0.

Bit 3—Sequence Condition Select (SEQ): Specifies whether the conditions for channels A and B are to be independent or sequential. This bit is not initialized by a power-on reset or manual reset.

Bit 3: SEQ	Description
0	Channel A and B comparisons are performed as independent conditions
1	Channel A and B comparisons are performed as sequential conditions (channel A → channel B)

Bits 2 and 1—Reserved: These bits are always read as 0, and should only be written with 0.

Bit 0—User Break Debug Enable (UBDE): Specifies whether the user break debug function (see section 20.4, User Break Debug Support Function) is to be used.

Bit 0: UBDE	Description
0	User break debug function is not used (Initial value)
1	User break debug function is used

20.3 Operation

20.3.1 Explanation of Terms Relating to Accesses

An instruction access is an access that obtains an instruction. An operand access is any memory access for the purpose of instruction execution. For example, the access to address $PC+disp \times 2+4$ in the instruction `MOV.W @(disp,PC), Rn` (an access very close to the program counter) is an operand access. The fetching of an instruction from the branch destination when a branch instruction is executed is also an instruction access. As the term “data” is used to distinguish data from an address, the term “operand access” is used in this section.

In the SH7750 Series, all operand accesses are treated as either read accesses or write accesses. The following instructions require special attention:

- PREF, OCBP, and OCBWB instructions: Treated as read accesses.
- MOVCA.L and OCBI instructions: Treated as write accesses.
- TAS.B instruction: Treated as one read access and one write access.

The operand accesses for the PREF, OCBP, OCBWB, and OCBI instructions are accesses with no access data.

The SH7750 Series handles all operand accesses as having a data size. The data size can be byte, word, longword, or quadword. The operand data size for the PREF, OCBP, OCBWB, MOVCA.L, and OCBI instructions is treated as longword.

20.3.2 Explanation of Terms Relating to Instruction Intervals

In this section, “1 (2, 3, ...) instruction(s) after...”, as a measure of the distance between two instructions, is defined as follows. A branch is counted as an interval of two instructions.

- Example of sequence of instructions with no branch:
 - 100 Instruction A (0 instructions after instruction A)
 - 102 Instruction B (1 instruction after instruction A)
 - 104 Instruction C (2 instructions after instruction A)
 - 106 Instruction D (3 instructions after instruction A)
- Example of sequence of instructions with a branch (however, the example of a sequence of instructions with no branch should be applied when the branch destination of a delayed branch instruction is the instruction itself + 4):
 - 100 Instruction A: BT/S L200 (0 instructions after instruction A)
 - 102 Instruction B (1 instruction after instruction A, 0 instructions after instruction B)
 - L200 200 Instruction C (3 instructions after instruction A, 2 instructions after instruction B)
 - 202 Instruction D (4 instructions after instruction A, 3 instructions after instruction B)

20.3.3 User Break Operation Sequence

The sequence of operations from setting of break conditions to user break exception handling is described below.

1. Specify pre- or post-execution breaking in the case of an instruction access, inclusion or exclusion of the data bus value in the break conditions in the case of an operand access, and use of independent or sequential channel A and B break conditions, in the break control register (BRCR). Set the break addresses in the break address registers for each channel (BARA, BARB), the ASIDs corresponding to the break space in the break ASID registers (BASRA, BASRB), and the address and ASID masking methods in the break address mask registers (BAMRA, BAMRB). If the data bus value is to be included in the break conditions, also set the break data in the break data register (BDRB) and the data mask in the break data mask register (BDMRB).
2. Set the break bus conditions in the break bus cycle registers (BBRA, BBRB). If even one of the BBRA/BBRB instruction access/operand access select (ID bit) and read/write select groups (RW bit) is set to 00, a user break interrupt will not be generated on the corresponding channel. Make the BBRA and BBRB settings after all other break-related register settings have been completed. If breaks are enabled with BBRA/BBRB while the break address, data, or mask register, or the break control register is in the initial state after a reset, a break may be generated inadvertently.
3. The operation when a break condition is satisfied depends on the BL bit (in the CPU's SR register). When the BL bit is 0, exception handling is started and the condition match flag (CMFA/CMFB) for the respective channel is set for the matched condition. When the BL bit is 1, the condition match flag (CMFA/CMFB) for the respective channel is set for the matched condition but exception handling is not started.

The condition match flags (CMFA, CMFB) are set by a branch condition match, but are not automatically cleared. Therefore, a memory store instruction should be used on the BRCR register to clear the flags to 0. See section 20.3.6, Condition Match Flag Setting, for the exact setting conditions for the condition match flags.

4. When sequential condition mode has been selected, and the channel B condition is matched after the channel A condition has been matched, a break is effected at the instruction at which the channel B condition was matched. See section 20.3.8, Contiguous A and B Settings for Sequential Conditions, for the operation when the channel A condition match and channel B condition match occur close together. With sequential conditions, only the channel B condition match flag is set. When sequential condition mode has been selected, if it is wished to clear the channel A match when the channel A condition has been matched but the channel B condition has not yet been matched, this can be done by writing 0 to the SEQ bit in the BRCR register.

20.3.4 Instruction Access Cycle Break

1. When an instruction access/read/word setting is made in the break bus cycle register (BBRA/BBRB), an instruction access cycle can be used as a break condition. In this case, breaking before or after execution of the relevant instruction can be selected with the PCBA/PCBB bit in the break control register (BRCR). When an instruction access cycle is used as a break condition, clear the LSB of the break address registers (BARA, BARB) to 0. A break will not be generated if this bit is set to 1.
2. When a pre-execution break is specified, the break is effected when it is confirmed that the instruction is to be fetched and executed. Therefore, an overrun-fetched instruction (an instruction that is fetched but not executed when a branch or exception occurs) cannot be used in a break. However, if a TLB miss or TLB protection violation exception occurs at the time of the fetch of an instruction subject to a break, the break exception handling is carried out first. The instruction TLB exception handling is performed when the instruction is re-executed (see section 5.4, Exception Types and Priorities). Also, since a delayed branch instruction and the delay slot instruction are executed as a single instruction, if a pre-execution break is specified for a delay slot instruction, the break will be effected before execution of the delayed branch instruction. However, a pre-execution break cannot be specified for the delay slot instruction for an RTE instruction.
3. With a pre-execution break, the instruction set as a break condition is executed, then a break interrupt is generated before the next instruction is executed. When a post-execution break is set for a delayed branch instruction, the delay slot is executed and the break is effected before execution of the instruction at the branch destination (when the branch is made) or the instruction two instructions ahead of the branch instruction (when the branch is not made).
4. When an instruction access cycle is set for channel B, break data register B (BDRB) is ignored in judging whether there is an instruction access match. Therefore, a break condition specified by the DBEB bit in BRCR is not executed.

20.3.5 Operand Access Cycle Break

1. In the case of an operand access cycle break, the bits included in address bus comparison vary as shown below according to the data size specification in the break bus cycle register (BBRA/BBRB).

Data Size	Address Bits Compared
Quadword (100)	Address bits A31–A3
Longword (011)	Address bits A31–A2
Word (010)	Address bits A31–A1
Byte (001)	Address bits A31–A0
Not included in condition (000)	In quadword access, address bits A31–A3 In longword access, address bits A31–A2 In word access, address bits A31–A1 In byte access, address bits A31–A0

2. When data value is included in break conditions in channel B

When a data value is included in the break conditions, set the DBEB bit in the break control register (BRCR) to 1. In this case, break data register B (BDRB) and break data mask register B (BDMRB) settings are necessary in addition to the address condition. A user break interrupt is generated when all three conditions—address, ASID, and data—are matched. When a quadword access occurs, the 64-bit access data is divided into an upper 32 bits and lower 32 bits, and interpreted as two 32-bit data units. A break is generated if either of the 32-bit data units satisfies the data match condition.

Set the IDB1–0 bits in break bus cycle register B (BBRB) to 10 or 11. When byte data is specified, the same data should be set in the two bytes comprising bits 15–8 and bits 7–0 in break data register B (BDRB) and break data mask register B (BDMRB). When word or byte is set, bits 31–16 of BDRB and BDMRB are ignored.

3. When the DBEB bit in the break control register (BRCR) is set to 1, a break is not generated by an operand access with no access data (an operand access in a PREF, OCBP, OCBWB, or OCBI instruction).

20.3.6 Condition Match Flag Setting

1. Instruction access with post-execution condition, or operand access

The flag is set when execution of the instruction that causes the break is completed. As an exception to this, however, in the case of an instruction with more than one operand access the flag may be set on detection of the match condition alone, without waiting for execution of the instruction to be completed.

Example 1:

100 BT L200 (branch performed)

102 Instruction (operand access break on channel A) → flag not set

Example 2:

110 FADD (FPU exception)

112 Instruction (operand access break on channel A) → flag not set

2. Instruction access with pre-execution condition

The flag is set when the break match condition is detected.

Example 1:

110 Instruction (pre-execution break on channel A) → flag set

112 Instruction (pre-execution break on channel B) → flag not set

Example 2:

110 Instruction (pre-execution break on channel B, instruction access TLB miss) → flag set

20.3.7 Program Counter (PC) Value Saved

1. When instruction access (pre-execution) is set as a break condition, the program counter (PC) value saved to SPC in user break interrupt handling is the address of the instruction at which the break condition match occurred. In this case, a user break interrupt is generated and the fetched instruction is not executed.
2. When instruction access (post-execution) is set as a break condition, the program counter (PC) value saved to SPC in user break interrupt handling is the address of the instruction to be executed after the instruction at which the break condition match occurred. In this case, the fetched instruction is executed, and a user break interrupt is generated before execution of the next instruction.
3. When an instruction access (post-execution) break condition is set for a delayed branch instruction, the delay slot instruction is executed and a user break is effected before execution of the instruction at the branch destination (when the branch is made) or the instruction two instructions ahead of the branch instruction (when the branch is not made). In this case, the PC value saved to SPC is the address of the branch destination (when the branch is made) or the instruction following the delay slot instruction (when the branch is not made).

4. When operand access (address only) is set as a break condition, the address of the instruction to be executed after the instruction at which the condition match occurred is saved to SPC. The instruction at which the condition match occurred is executed, and a user break interrupt occurs before the following instruction is executed.
5. When operand access (address + data) is set as a break condition, execution of the instruction at which the condition match occurred is completed. A user break interrupt is generated before execution of instructions from one instruction later to four instructions later. It is not possible to specify at which instruction, from one later to four later, the interrupt will be generated. The start address of the instruction after the instruction for which execution is completed at the point at which user break interrupt handling is started is saved to SPC. If an instruction between one instruction later and four instructions later causes another exception, control is performed as follows. Designating the exception caused by the break as exception 1, and the exception caused by an instruction between one instruction later and four instructions later as exception 2, the fact that memory updating and register updating that essentially cannot be performed by exception 2 cannot be performed is guaranteed irrespective of the existence of exception 1. The program counter value saved is the address of the first instruction for which execution is suppressed. Whether exception 1 or exception 2 is used for the exception jump destination and the value written to the exception register (EXPEVT/INTEVT) is not guaranteed. However, if exception 2 is from a source not synchronized with an instruction (external interrupt or peripheral module interrupt), exception 1 is used for the exception jump destination and the value written to the exception register (EXPEVT/INTEVT).

20.3.8 Contiguous A and B Settings for Sequential Conditions

When channel A match and channel B match timings are close together, a sequential break may not be guaranteed. Rules relating to the guaranteed range are given below.

1. Instruction access matches on both channel A and channel B

Instruction B is 0 instructions after instruction A	Equivalent to setting the same address. Do not use this setting.
Instruction B is 1 instruction after instruction A	Sequential operation is not guaranteed.
Instruction B is 2 or more instructions after instruction A	Sequential operation is guaranteed.

2. Instruction access match on channel A, operand access match on channel B

Instruction B is 0 or 1 instruction after instruction A	Sequential operation is not guaranteed.
Instruction B is 2 or more instructions after instruction A	Sequential operation is guaranteed.

3. Operand access match on channel A, instruction access match on channel B	
Instruction B is 0 to 3 instructions after instruction A	Sequential operation is not guaranteed.
Instruction B is 4 or more instructions after instruction A	Sequential operation is guaranteed.

4. Operand access matches on both channel A and channel B

Do not make a setting such that a single operand access will match the break conditions of both channel A and channel B. There are no other restrictions. For example, sequential operation is guaranteed even if two accesses within a single instruction match channel A and channel B conditions in turn.

20.3.9 Usage Notes

1. Do not execute a post-execution instruction access break for the SLEEP instruction.
2. Do not make an operand access break setting between 1 and 3 instructions before a SLEEP instruction.
3. The value of the BL bit referenced in a user break exception depends on the break setting, as follows.
 - a. Pre-execution instruction access break: The BL bit value before the executed instruction is referenced.
 - b. Post-execution instruction access break: The OR of the BL bit values before and after the executed instruction is referenced.
 - c. Operand access break (address/data): The BL bit value after the executed instruction is referenced.
 - d. In the case of an instruction that modifies the BL bit

SL.BL	Pre-Execution Instruction Access	Post-Execution Instruction Access	Pre-Execution Instruction Access	Post-Execution Instruction Access	Operand Access (Address/Data)
0 → 0	A	A	A	A	A
1 → 0	M	M	M	M	A
0 → 1	A	M	A	M	M
1 → 1	M	M	M	M	M

A: Accepted
M: Masked

- e. In the case of an RTE delay slot
The BL bit value before execution of a delay slot instruction is the same as the BL bit value before execution of an RTE instruction. The BL bit value after execution of a delay slot instruction is the same as the first BL bit value for the first instruction executed on returning by means of an RTE instruction (the same as the value of the BL bit in SSR before execution of the RTE instruction).
 - f. If an interrupt or exception is accepted with the BL bit cleared to 0, the value of the BL bit before execution of the first instruction of the exception handling routine is 1.
4. If channels A and B both match independently at virtually the same time, and, as a result, the SPC value is the same for both user break interrupts, only one user break interrupt is generated, but both the CMFA bit and the CMFB bit are set. For example:
110 Instruction (post-execution instruction break on channel A) → SPC = 112, CMFA = 1
112 Instruction (pre-execution instruction break on channel B) → SPC = 112, CMFB = 1
 5. The PCBA or PCBB bit in BRCCR is invalid for an instruction access break setting.
 6. When the SEQ bit in BRCCR is 1, the internal sequential break state is initialized by a channel B condition match. For example: A → A → B (user break generated) → B (no break generated)
 7. In the event of contention between a re-execution type exception and a post-execution break in a multistep instruction, the re-execution type exception is generated. In this case, the CMF bit may or may not be set to 1 when the break condition occurs.
 8. A post-execution break is classified as a completion type exception. Consequently, in the event of contention between a completion type exception and a post-execution break, the post-execution break is suppressed in accordance with the priorities of the two events. For example, in the case of contention between a TRAPA instruction and a post-execution break, the user break is suppressed. However, in this case, the CMF bit is set by the occurrence of the break condition.

20.4 User Break Debug Support Function

The user break debug support function enables the processing used in the event of a user break exception to be changed. When a user break exception occurs, if the UBDE bit is set to 1 in the BRCCR register, the DBR register value will be used as the branch destination address instead of [VBR + offset]. The value of R15 is saved in the SGR register regardless of the value of the UBDE bit in the BRCCR register or the kind of exception event. A flowchart of the user break debug support function is shown in figure 20.2.

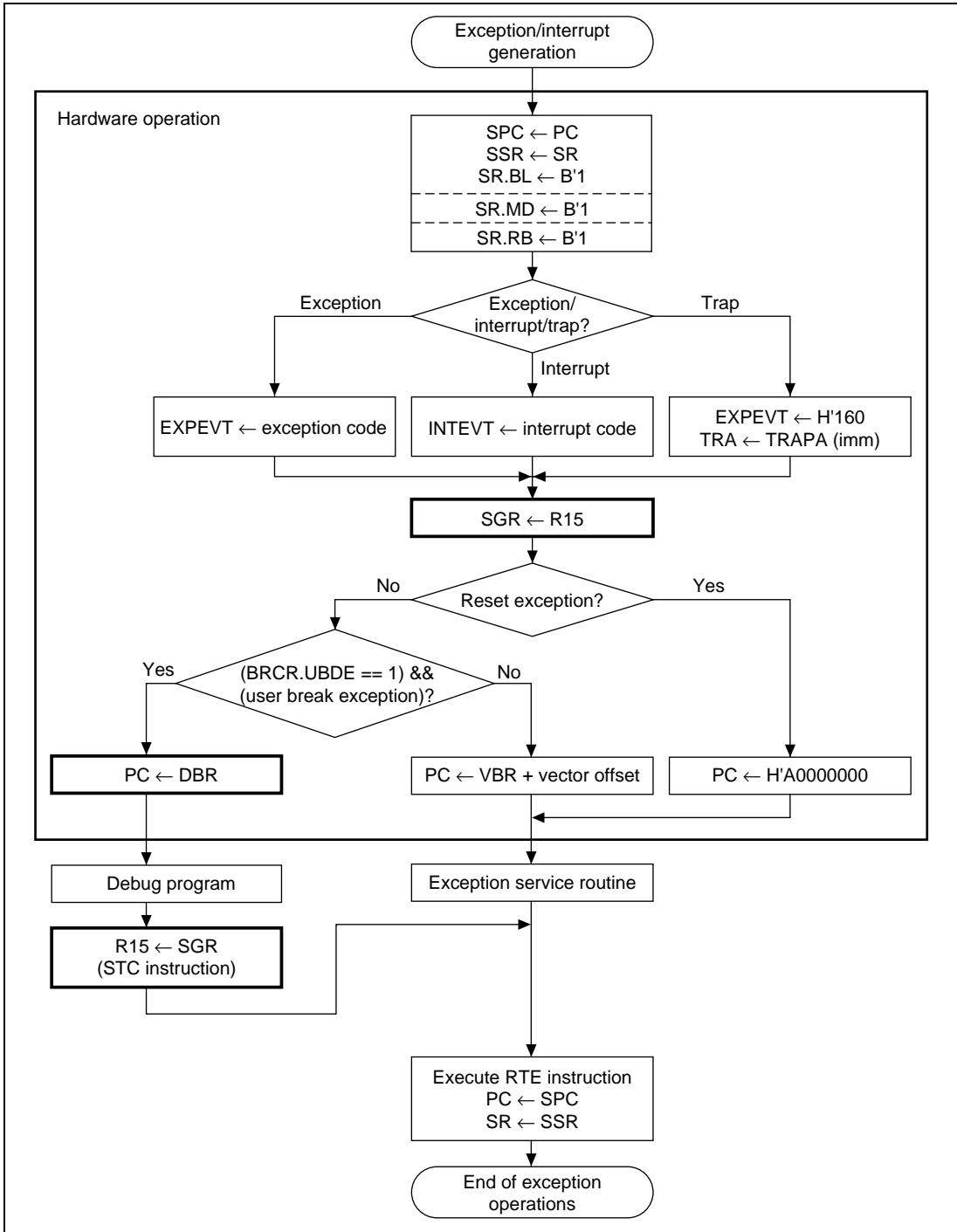


Figure 20.2 User Break Debug Support Function Flowchart

20.5 Examples of Use

Instruction Access Cycle Break Condition Settings

- Register settings: BASRA = H'80 / BARA = H'00000404 / BAMRA = H'00 / BBRA = H'0014 / BASRB = H'70 / BARB = H'00008010 / BAMRB = H'01 / BBRB = H'0014 / BDRB = H'00000000 / BDMRB = H'00000000 / BRCCR = H'0400

Conditions set: Independent channel A/channel B mode

— Channel A: ASID: H'80 / address: H'00000404 / address mask: H'00

Bus cycle: instruction access (post-instruction-execution), read (operand size not included in conditions)

— Channel B: ASID: H'70 / address: H'00008010 / address mask: H'01

Data: H'00000000 / data mask: H'00000000

Bus cycle: instruction access (pre-instruction-execution), read (operand size not included in conditions)

A user break is generated after execution of the instruction at address H'00000404 with ASID = H'80, or before execution of an instruction at addresses H'00008000–H'000083FE with ASID = H'70.

- Register settings: BASRA = H'80 / BARA = H'00037226 / BAMRA = H'00 / BBRA = H'0016 / BASRB = H'70 / BARB = H'0003722E / BAMRB = H'00 / BBRB = H'0016 / BDRB = H'00000000 / BDMRB = H'00000000 / BRCCR = H'0008

Conditions set: Channel A → channel B sequential mode

— Channel A: ASID: H'80 / address: H'00037226 / address mask: H'00

Bus cycle: instruction access (pre-instruction-execution), read, word

— Channel B: ASID: H'70 / address: H'0003722E / address mask: H'00

Data: H'00000000 / data mask: H'00000000

Bus cycle: instruction access (pre-instruction-execution), read, word

The instruction at address H'00037266 with ASID = H'80 is executed, then a user break is generated before execution of the instruction at address H'0003722E with ASID = H'70.

- Register settings: BASRA = H'80 / BARA = H'00027128 / BAMRA = H'00 / BBRA = H'001A / BASRB = H'70 / BARB = H'00031415 / BAMRB = H'00 / BBRB = H'0014 / BDRB = H'00000000 / BDMRB = H'00000000 / BRCCR = H'0000

Conditions set: Independent channel A/channel B mode

— Channel A: ASID: H'80 / address: H'00027128 / address mask: H'00

Bus cycle: CPU, instruction access (pre-instruction-execution), write, word

— Channel B: ASID: H'70 / address: H'00031415 / address mask: H'00
Data: H'00000000 / data mask: H'00000000
Bus cycle: CPU, instruction access (pre-instruction-execution), read (operand size not included in conditions)

A user break interrupt is not generated on channel A since the instruction access is not a write cycle.

A user break interrupt is not generated on channel B since instruction access is performed on an even address.

Operand Access Cycle Break Condition Settings

- Register settings: BASRA = H'80 / BARA = H'00123456 / BAMRA = H'00 / BBRA = H'0024 / BASRB = H'70 / BARB = H'000ABCDE / BAMRB = H'02 / BBRB = H'002A / BDRB = H'0000A512 / BDMRB = H'00000000 / BRCR = H'0080

Conditions set: Independent channel A/channel B mode

- Channel A: ASID: H'80 / address: H'00123456 / address mask: H'00
Bus cycle: operand access, read (operand size not included in conditions)
- Channel B: ASID: H'70 / address: H'000ABCDE / address mask: H'02
Data: H'0000A512 / data mask: H'00000000
Bus cycle: operand access, write, word
Data break enabled

On channel A, a user break interrupt is generated in the event of a longword read at address H'00123454, a word read at address H'00123456, or a byte read at address H'00123456, with ASID = H'80.

On channel B, a user break interrupt is generated when H'A512 is written by word access to any address from H'000AB000 to H'000ABFFE with ASID = H'70.

20.6 User Break Controller Stop Function

In the SH7750S, this function stops the clock supplied to the user break controller and is used to minimize power dissipation when the chip is operating. Note that, if you use this function, you cannot use the user break controller. This function is not provided in the SH7750.

20.6.1 Transition to User Break Controller Stopped State

Setting the MSTP5 bit of the STBCR2 (inside the CPG) to 1 stops the clock supply and causes the user break controller to enter the stopped state. Follow steps (1) to (5) below to set the MSTP5 bit to 1 and enter the stopped state.

- (1) Initialize BBRA and BBRB to 0;
- (2) Initialize BRCCR to 0;
- (3) Make a dummy read of BRCCR;
- (4) Read STBCR2, then set the MSTP5 bit in the read data to 1 and write back.
- (5) Make two dummy reads of STBCR2.

Make sure that, if an exception or interrupt occurs while performing steps (1) to (5), you do not change the values of these registers in the exception handling routine.

Do not read or write the following registers while the user break controller clock is stopped: BARA, BAMRA, BBRA, BARB, BAMRB, BBRB, BDRB, BDMRB, and BRCCR. If these registers are read or written, the value cannot be guaranteed.

20.6.2 Cancelling the User Break Controller Stopped State

The clock supply can be restarted by setting the MSTP5 bit of STBCR2 (inside the CPG) to 0. The user break controller can then be operated again. Follow steps (6) and (7) below to clear the MSTP5 bit to 0 to cancel the stopped state.

- (6) Read STBCR2, then clear the MSTP5 bit in the read data to 0 and write the modified data back;
- (7) Make two dummy reads of STBGR2.

As with the transition to the stopped state, if an exception or interrupt occurs while processing steps (6) and (7), make sure that the values in these registers are not changed in the exception handling routine.

20.6.3 Examples of Stopping and Restarting the User Break Controller

The following are example programs:

```
; Transition to user break controller stopped state
; (1) Initialize BBRA and BBRB to 0.
    mov     #0, R0
    mov.l   #BBRA, R1
    mov.w   R0, @R1
    mov.l   #BBRB, R1
    mov.w   R0, @R1
; (2) Initialize BR CR to 0.
    mov.l   #BR CR, R1
    mov.w   R0, @R1
; (3) Dummy read BR CR.
    mov.w   @R1, R0
; (4) Read STBCR2, then set MSTP5 bit in the read data to 1 and write
    it back
    mov.l   #STBCR2, R1
    mov.b   @R1, R0
    or     #H'1, R0
    mov.b   R0, @R1
; (5) Twice dummy read STBCR2.
    mov.b   @R1, R0
    mov.b   @R1, R0
; Canceling user break controller stopped state
; (6) Read STBCR2, then clear MSTP5 bit in the read data to 0 and write
    it back
    mov.l   #STBCR2, R1
    mov.b   @R1, R0
    and    #H'FE, R0
    mov.b   R0, @R1
; (7) Twice dummy read STBCR2.
    mov.b   @R1, R0
    mov.b   @R1, R0
```

Section 21 Hitachi User Debug Interface (H-UDI)

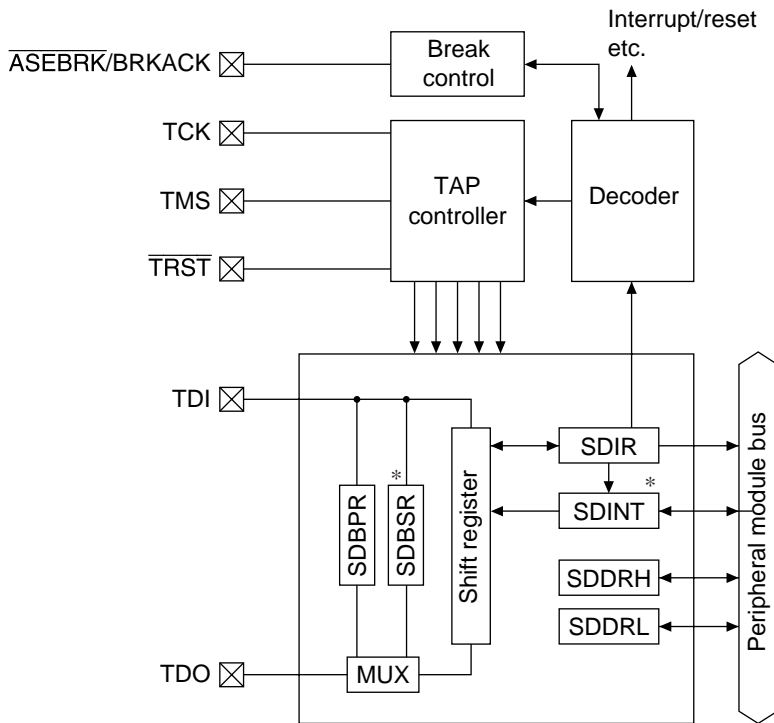
21.1 Overview

21.1.1 Features

The Hitachi user debug interface (H-UDI) is a serial input/output interface conforming to JTAG, IEEE 1149.1, and IEEE Standard Test Access Port and Boundary-Scan Architecture. The SH7750R's H-UDI supports boundary-scan, but is used for emulator connection as well. The functions of this interface should not be used when using an emulator. Refer to the emulator manual for the method of connecting the emulator. The H-UDI uses six pins (TCK, TMS, TDI, TDO, $\overline{\text{TRST}}$, and $\overline{\text{ASEBRK/BRKACK}}$). The pin functions and serial transfer protocol conform to the JTAG specifications.

21.1.2 Block Diagram

Figure 21.1 shows a block diagram of the H-UDI. The TAP (test access port) controller and control registers are reset independently of the chip reset pin by driving the $\overline{\text{TRST}}$ pin low or setting TMS to 1 and applying TCK for at least five clock cycles. The other circuits are reset and initialized in an ordinary reset. The H-UDI circuit has four internal registers: SDBPR, SDIR, SDDRH, and SDDRL (these last two together designated SDDR). The SDBPR register supports the JTAG bypass mode, SDIR is the command register, and SDDR is the data register. SDIR can be accessed directly from the TDI and TDO pins.



Note: * Provided only in the SH7750R.

Figure 21.1 Block Diagram of H-UDI Circuit

21.1.3 Pin Configuration

Table 21.1 shows the H-UDI pin configuration.

Table 21.1 H-UDI Pins

Pin Name	Abbreviation	I/O	Function	When Not Used
Clock pin	TCK	Input	Same as the JTAG serial clock input pin. Data is transferred from data input pin TDI to the H-UDI circuit, and data is read from data output pin TDO, in synchronization with this signal.	Open* ¹
Mode pin	TMS	Input	The mode select input pin. Changing this signal in synchronization with TCK determines the meaning of the data input from TDI. The protocol conforms to the JTAG (IEEE Std 1149.1) specification.	Open* ¹
Reset pin	$\overline{\text{TRST}}$	Input	The input pin that resets the H-UDI. This signal is received asynchronously with respect to TCK, and effects a reset of the JTAG interface circuit when low. $\overline{\text{TRST}}$ must be driven low for a certain period when powering on, regardless of whether or not JTAG is used. This differs from the IEEE specification.	* ² * ³
Data input pin	TDI	Input	The data input pin. Data is sent to the H-UDI circuit by changing this signal in synchronization with TCK.	Open* ¹
Data output pin	TDO	Output	The data output pin. Data is sent to the H-UDI circuit by reading this signal in synchronization with TCK.	Open
Emulator pin	$\overline{\text{ASEBRK/BRKACK}}$	Input/output	Dedicated emulator pin	Open* ¹

Notes: *¹ Pulled up inside the chip. When designing a board that allows use of an emulator, or when using interrupts and resets via the H-UDI, there is no problem in connecting a pullup resistance externally.

*² When designing a board that enables the use of an emulator, or when using interrupts and resets via the H-UDI, drive $\overline{\text{TRST}}$ low for a period overlapping $\overline{\text{RESET}}$ at power-on, and also provide for control by $\overline{\text{TRST}}$ alone.

*³ Fixed to the ground or connected to the same signal line as $\overline{\text{RESET}}$, or to a signal line that behaves in the same way. However, there is a problem when this pin is fixed to the ground. $\overline{\text{TRST}}$ is pulled up in the chip so, when this pin is fixed to the ground via external connection, a minute current will flow. The size of this current is determined by

the rating of the pull-up resistor on port-pin f. Although this current has no effect on the chip's operation, unnecessary current will be dissipated.

The maximum frequency of TCK (TMS, TDI, TDO) is 20 MHz. Make the TCK or SH7750 Series CPG setting so that the TCK frequency is lower than that of the SH7750 Series' on-chip peripheral module clock.

21.1.4 Register Configuration

Table 21.2 shows the H-UDI registers. Except for SDBPR, these registers are mapped in the control register space and can be referenced by the CPU.

Table 21.2 H-UDI Registers

Name	Abbreviation	CPU Side					H-UDI Side			
		R/W	P4 Address	Area 7 Address	Access Size	Initial Value* ¹	R/W	Access Size	Initial Value* ¹	
Instruction register	SDIR	R	H'FFF00000	H'1FF00000	16	H'FFFF	R/W	32	H'FFFFFFFD (Fixed value* ²)	
Data register H	SDDR/ SDDRH	R/W	H'FFF00008	H'1FF00008	32/16	Undefined	—	—	—	
Data register L	SDDRL	R/W	H'FFF0000A	H'1FF0000A	16	Undefined	—	—	—	
Bypass register	SDBPR	—	—	—	—	Undefined	R/W	1	—	
Interrupt source register* ⁴	SDINT	R/W	H'FFF00014	H'1FF00014	16	H'0000	W* ³	32	H'00000000	
Boundary scan register* ⁴	SDBSR	—	—	—	—	Undefined	R/W	—	Undefined	

Notes: *1 Initialized when the $\overline{\text{TRST}}$ pin goes low or when the TAP is in the Test-Logic-Reset state.

*2 The value read from H-UDI is fixed (H'FFFFFFFD).

*3 Using the H-UDI interrupt command, a 1 can be written to the least significant bit.

*4 SH7750R only

21.2 Register Descriptions

21.2.1 Instruction Register (SDIR)

The instruction register (SDIR) is a 16-bit register that can only be read by the CPU. In the initial state, bypass mode is set. The value (command) is set from the serial input pin (TDI). SDIR is initialized by the $\overline{\text{TRST}}$ pin or in the TAP Test-Logic-Reset state. When this register is written to from the H-UDI, writing is possible regardless of the CPU mode. However, if a read is performed by the CPU while writing is in progress, it may not be possible to read the correct value. In this case, SDIR should be read twice, and then read again if the read values do not match. Operation is undefined if a reserved command is set in this register.

SH7750, SH7750S:

Bit:	15	14	13	12	11	10	9	8
	TI3	TI2	TI1	TI0	—	—	—	—
Initial value:	1	1	1	1	1	1	1	1
R/W:	R	R	R	R	R	R	R	R
Bit:	7	6	5	4	3	2	1	0
	—	—	—	—	—	—	—	—
Initial value:	1	1	1	1	1	1	1	1
R/W:	R	R	R	R	R	R	R	R

Bits 15 to 12—Test Instruction Bits (TI3–TI0)

Bit 15: TI3	Bit 14: TI2	Bit 13: TI1	Bit 12: TI0	Description
0	0	—	—	Reserved
	1	0	—	Reserved
		1	0	H-UDI reset negate
			1	H-UDI reset assert
1	0	0	—	Reserved
		1	—	H-UDI interrupt
	1	0	—	Reserved
		1	0	Reserved
		1	Bypass mode	(Initial value)

Bits 11 to 0—Reserved: These bits are always read as 1, and should only be written with 1.

SH7750R:

Bit:	15	14	13	12	11	10	9	8
	TI7	TI6	TI5	TI4	TI3	TI2	TI1	TI0
Initial value:	1	1	1	1	1	1	1	1
R/W:	R	R	R	R	R	R	R	R
Bit:	7	6	5	4	3	2	1	0
	—	—	—	—	—	—	—	—
Initial value:	1	1	1	1	1	1	1	1
R/W:	R	R	R	R	R	R	R	R

Bits 15 to 8—Test Instruction Bits (TI7–TI0)

Bit 15: TI7	Bit 14: TI6	Bit 13: TI5	Bit 12: TI4	Bit 11: TI3	Bit 10: TI2	Bit 9: TI1	Bit 8: TI0	Description
0	0	0	0	0	0	0	0	EXTEST
0	0	0	0	0	1	0	0	SAMPLE/PRELOAD
0	1	1	0	—	—	—	—	H-UDI reset negate
0	1	1	1	—	—	—	—	H-UDI reset assert
1	0	1	—	—	—	—	—	H-UDI interrupt
1	1	1	1	1	1	1	1	Bypass mode (Initial value)
Other than above								Reserved

Bits 7 to 0—Reserved: These bits are always read as 1, and should only be written with 1.

21.2.2 Data Register (SDDR)

The data register (SDDR) is a 32-bit register, comprising the two 16-bit registers SDDRH and SDDRL, that can be read and written to by the CPU. The value in this register is not initialized by a $\overline{\text{TRST}}$ or CPU reset.

Bit:	31	30	29	28	27	26	25	24
	<input type="checkbox"/>	<input type="checkbox"/>	<input type="checkbox"/>	<input type="checkbox"/>	<input type="checkbox"/>	<input type="checkbox"/>	<input type="checkbox"/>	<input type="checkbox"/>
Initial value:	*	*	*	*	*	*	*	*
R/W:	R/W	R/W	R/W	R/W	R/W	R/W	R/W	R/W
Bit:	23	22	21	20	19	18	17	16
	<input type="checkbox"/>	<input type="checkbox"/>	<input type="checkbox"/>	<input type="checkbox"/>	<input type="checkbox"/>	<input type="checkbox"/>	<input type="checkbox"/>	<input type="checkbox"/>
Initial value:	*	*	*	*	*	*	*	*
R/W:	R/W	R/W	R/W	R/W	R/W	R/W	R/W	R/W
Bit:	15	14	13	12	11	10	9	8
	<input type="checkbox"/>	<input type="checkbox"/>	<input type="checkbox"/>	<input type="checkbox"/>	<input type="checkbox"/>	<input type="checkbox"/>	<input type="checkbox"/>	<input type="checkbox"/>
Initial value:	*	*	*	*	*	*	*	*
R/W:	R/W	R/W	R/W	R/W	R/W	R/W	R/W	R/W
Bit:	7	6	5	4	3	2	1	0
	<input type="checkbox"/>	<input type="checkbox"/>	<input type="checkbox"/>	<input type="checkbox"/>	<input type="checkbox"/>	<input type="checkbox"/>	<input type="checkbox"/>	<input type="checkbox"/>
Initial value:	*	*	*	*	*	*	*	*
R/W:	R/W	R/W	R/W	R/W	R/W	R/W	R/W	R/W

Note: *: Undefined

Bits 31 to 0—DR Data: These bits store the SDDR value.

21.2.3 Bypass Register (SDBPR)

The bypass register (SDBPR) is a one-bit register that cannot be accessed by the CPU. When bypass mode is set in SDIR, SDBPR is connected between the TDI pin and TDO pin of the H-UDI.

21.2.4 Interrupt Source Register (SDINT) (SH7750R Only)

The interrupt source register (SDINT) is a 16-bit register that can be read from and written to by the CPU.

From the H-UDI pins, the INTREQ bit is set to 1 when a H-UDI interrupt command is set in the SDIR register (Update-IR). While SDIR is holding a H-UDI interrupt command, the SDINT register is connected between the TDI and TDO pins of the H-UDI, allowing it to be read as a 32-bit register. In this case, the upper 16 bits will all be 0, and the lower 16 bits will represent SDINT.

From the CPU, only writing a 0 to the INTREQ bit is possible. While this bit holds a 1, the interrupt requests continue to be issued, so this bit should always be cleared in the interrupt handler.

This register is initialized in the Test-Logic-Reset state of $\overline{\text{TRST}}$ or TAP.

Bit:	15	14	13	12	11	10	9	8
	—	—	—	—	—	—	—	—
Initial value:	0	0	0	0	0	0	0	0
R/W:	R	R	R	R	R	R	R	R
Bit:	7	6	5	4	3	2	1	0
	—	—	—	—	—	—	—	INTREQ
Initial value:	0	0	0	0	0	0	0	0
R/W:	R	R	R	R	R	R	R	R/W

Bits 15 to 1—Reserved: These bits are always read as 0. When writing, only 0s should be written here.

Bit 0—Interrupt Request (INTREQ): Indicates whether or not an interrupt request has been issued by an H-UDI interrupt command. From the CPU, the interrupt request can be cleared by writing a 0 to this bit. If a 1 is written to this bit, it retains the value it had before the write operation.

21.2.5 Boundary Scan Register (SDBSR) (SH7750R Only)

The boundary scan register (SDBSR) is a shift register that is placed on the pads to control the chip's I/O pins. This register can perform a boundary scan test that conforms to the JTAG standard (IEEE Std 1149.1) using EXTEST, SAMPLE, and PRELOAD commands. Table 21.3 shows the relationship between the SH7750R's pins and the boundary scan register.

Table 21.3 Configuration of the Boundary Scan Register (1)

No.	Pin Name	Type	No.	Pin Name	Type	No.	Pin Name	Type
	from TDI		309	A19	OUT	272	D48	OUT
345	CKIO2ENB	IN	308	A18	CTL	271	D62	IN
344	MD6/IOIS16	IN	307	A18	OUT	270	D62	CTL
343	STATUS1	CTL	306	SCK2/MRESET	IN	269	D62	OUT
342	STATUS1	OUT	305	SCK2/MRESET	CTL	268	D49	IN
341	STATUS0	CTL	304	SCK2/MRESET	OUT	267	D49	CTL
340	STATUS0	OUT	303	MD7/TXD	IN	266	D49	OUT
339	A1	CTL	302	MD7/TXD	CTL	265	D61	IN
338	A1	OUT	301	MD7/TXD	OUT	264	D61	CTL
337	A0	CTL	300	MD8/RTS2	IN	263	D61	OUT
336	A0	OUT	299	MD8/RTS2	CTL	262	D50	IN
335	DACK1	CTL	298	MD8/RTS2	OUT	261	D50	CTL
334	DACK1	OUT	297	TCLK	IN	260	D50	OUT
333	DACK0	CTL	296	TCLK	CTL	259	D60	IN
332	DACK0	OUT	295	TCLK	OUT	258	D60	CTL
331	MD5/RAS2	IN	294	CTS2	IN	257	D60	OUT
330	MD5/RAS2	CTL	293	CTS2	CTL	256	D51	IN
329	MD5/RAS2	OUT	292	CTS2	OUT	255	D51	CTL
328	MD4/CE2B	IN	291	NMI	IN	254	D51	OUT
327	MD4/CE2B	CTL	290	IRL3	IN	253	D59	IN
326	MD4/CE2B	OUT	289	IRL2	IN	252	D59	CTL
325	MD3/CE2A	IN	288	IRL1	IN	251	D59	OUT
324	MD3/CE2A	CTL	287	IRL0	IN	250	D52	IN
323	MD3/CE2A	OUT	286	MD2/RXD2	IN	249	D52	CTL
322	A25	CTL	285	MD1/TXD2	IN	248	D52	OUT
321	A25	OUT	284	MD1/TXD2	CTL	247	D58	IN
320	A24	CTL	283	MD1/TXD2	OUT	246	D58	CTL
319	A24	OUT	282	MD0/SCK	IN	245	D58	OUT
318	A23	CTL	281	MD0/SCK	CTL	244	D53	IN
317	A23	OUT	280	MD0/SCK	OUT	243	D53	CTL
316	A22	CTL	279	RD/WR2	CTL	242	D53	OUT
315	A22	OUT	278	RD/WR2	OUT	241	D57	IN
314	A21	CTL	277	D63	IN	240	D57	CTL
313	A21	OUT	276	D63	CTL	239	D57	OUT
312	A20	CTL	275	D63	OUT	238	D54	IN
311	A20	OUT	274	D48	IN	237	D54	CTL
310	A19	CTL	273	D48	CTL	236	D54	OUT

Note: CTL is an active-low signal. The relevant pin is driven to the OUT state when CTL is set LOW.

Table 21.3 Configuration of the Boundary Scan Register (2)

No.	Pin Name	Type	No.	Pin Name	Type	No.	Pin Name	Type
235	D56	IN	196	D21	IN	157	DRAK1	OUT
234	D56	CTL	195	D21	CTL	156	A2	CTL
233	D56	OUT	194	D21	OUT	155	A2	OUT
232	D55	IN	193	D25	IN	154	A3	CTL
231	D55	CTL	192	D25	CTL	153	A3	OUT
230	D55	OUT	191	D25	OUT	152	A4	CTL
229	D31	IN	190	$\overline{\text{DREQ1}}$	IN	151	A4	OUT
228	D31	CTL	189	$\overline{\text{DREQ0}}$	IN	150	A5	CTL
227	D31	OUT	188	RXD	IN	149	A5	OUT
226	D16	IN	187	D22	IN	148	A6	CTL
225	D16	CTL	186	D22	CTL	147	A6	OUT
224	D16	OUT	185	D22	OUT	146	A7	CTL
223	D30	IN	184	D24	IN	145	A7	OUT
222	D30	CTL	183	D24	CTL	144	A8	CTL
221	D30	OUT	182	D24	OUT	143	A8	OUT
220	D17	IN	181	D23	IN	142	A9	CTL
219	D17	CTL	180	D23	CTL	141	A9	OUT
218	D17	OUT	179	D23	OUT	140	A10	CTL
217	D29	IN	178	$\overline{\text{WE7/CAS7/DQM7/REG}}$	CTL	139	A10	OUT
216	D29	CTL	177	$\overline{\text{WE7/CAS7/DQM7/REG}}$	OUT	138	A11	CTL
215	D29	OUT	176	$\overline{\text{WE6/CAS6/DQM6}}$	CTL	137	A11	OUT
214	D18	IN	175	$\overline{\text{WE6/CAS6/DQM6}}$	OUT	136	A12	CTL
213	D18	CTL	174	$\overline{\text{WE3/CAS3/DQM3/CIOWR}}$	CTL	135	A12	OUT
212	D18	OUT	173	$\overline{\text{WE3/CAS3/DQM3/CIOWR}}$	OUT	134	A13	CTL
211	D28	IN	172	$\overline{\text{WE2/CAS2/DQM2/CIORD}}$	CTL	133	A13	OUT
210	D28	CTL	171	$\overline{\text{WE2/CAS2/DQM2/CIORD}}$	OUT	132	A14	CTL
209	D28	OUT	170	$\overline{\text{RD/WR}}$	CTL	131	A14	OUT
208	D19	IN	169	$\overline{\text{RD/WR}}$	OUT	130	A15	CTL
207	D19	CTL	168	$\overline{\text{RD/CASS/FRAME}}$	CTL	129	A15	OUT
206	D19	OUT	167	$\overline{\text{RD/CASS/FRAME}}$	OUT	128	A16	CTL
205	D27	IN	166	$\overline{\text{RAS}}$	CTL	127	A16	OUT
204	D27	CTL	165	$\overline{\text{RAS}}$	OUT	126	A17	CTL
203	D27	OUT	164	$\overline{\text{CS2}}$	CTL	125	A17	OUT
202	D20	IN	163	$\overline{\text{CS2}}$	OUT	124	$\overline{\text{WE0/CAS0/DQM0}}$	CTL
201	D20	CTL	162	$\overline{\text{CS3}}$	CTL	123	$\overline{\text{WE0/CAS0/DQM0}}$	OUT
200	D20	OUT	161	$\overline{\text{CS3}}$	OUT	122	$\overline{\text{WE1/CAS1/DQM1}}$	CTL
199	D26	IN	160	DRAK0	CTL	121	$\overline{\text{WE1/CAS1/DQM1}}$	OUT
198	D26	CTL	159	DRAK0	OUT	120	$\overline{\text{WE4/CAS4/DQM4}}$	CTL
197	D26	OUT	158	DRAK1	CTL	119	$\overline{\text{WE4/CAS4/DQM4}}$	OUT

Note: CTL is an active-low signal. The relevant pin is driven to the OUT state when CTL is set LOW.

Table 21.3 Configuration of the Boundary Scan Register (3)

No.	Pin Name	Type	No.	Pin Name	Type	No.	Pin Name	Type
118	WE5/CAS5/DQM5	CTL	78	D13	IN	38	D35	CTL
117	WE5/CAS5/DQM5	OUT	77	D13	CTL	37	D35	OUT
116	CKE	CTL	76	D13	OUT	36	D44	IN
115	CKE	OUT	75	D1	IN	35	D44	CTL
114	D7	IN	74	D1	CTL	34	D44	OUT
113	D7	CTL	73	D1	OUT	33	D34	IN
112	D7	OUT	72	D14	IN	32	D34	CTL
111	D8	IN	71	D14	CTL	31	D34	OUT
110	D8	CTL	70	D14	OUT	30	D45	IN
109	D8	OUT	69	D0	IN	29	D45	CTL
108	BREQ/BSACK	IN	68	D0	CTL	28	D45	OUT
107	BACK/BSREQ	CTL	67	D0	OUT	27	D33	IN
106	BACK/BSREQ	OUT	66	D15	IN	26	D33	CTL
105	D6	IN	65	D15	CTL	25	D33	OUT
104	D6	CTL	64	D15	OUT	24	D46	IN
103	D6	OUT	63	D39	IN	23	D46	CTL
102	D9	IN	62	D39	CTL	22	D46	OUT
101	D9	CTL	61	D39	OUT	21	D32	IN
100	D9	OUT	60	D40	IN	20	D32	CTL
99	D5	IN	59	D40	CTL	19	D32	OUT
98	D5	CTL	58	D40	OUT	18	D47	IN
97	D5	OUT	57	D38	IN	17	D47	CTL
96	D10	IN	56	D38	CTL	16	D47	OUT
95	D10	CTL	55	D38	OUT	15	RD $\bar{2}$	CTL
94	D10	OUT	54	D41	IN	14	RD $\bar{2}$	OUT
93	D4	IN	53	D41	CTL	13	B \bar{S}	CTL
92	D4	CTL	52	D41	OUT	12	B \bar{S}	OUT
91	D4	OUT	51	D37	IN	11	CS6	CTL
90	D11	IN	50	D37	CTL	10	CS6	OUT
89	D11	CTL	49	D37	OUT	9	CS5	CTL
88	D11	OUT	48	D42	IN	8	CS5	OUT
87	D3	IN	47	D42	CTL	7	CS4	CTL
86	D3	CTL	46	D42	OUT	6	CS4	OUT
85	D3	OUT	45	D36	IN	5	CS1	CTL
84	D12	IN	44	D36	CTL	4	CS1	OUT
83	D12	CTL	43	D36	OUT	3	CS0	CTL
82	D12	OUT	42	D43	IN	2	CS0	OUT
81	D2	IN	41	D43	CTL	1	RDY	IN
80	D2	CTL	40	D43	OUT		to TDO	
79	D2	OUT	39	D35	IN			

Note: CTL is an active-low signal. The relevant pin is driven to the OUT state when CTL is set LOW.

21.3 Operation

21.3.1 TAP Control

Figure 21.2 shows the internal states of the TAP control circuit. These conform to the state transitions specified by JTAG.

- The transition condition is the TMS value at the rising edge of TCK.
- The TDI value is sampled at the rising edge of TCK, and shifted at the falling edge.
- The TDO value changes at the falling edge of TCK. When not in the Shift-DR or Shift-IR state, TDO is in the high-impedance state.
- In a transition to $\overline{\text{TRST}} = 0$, a transition is made to the Test-Logic-Reset state asynchronously with respect to TCK.

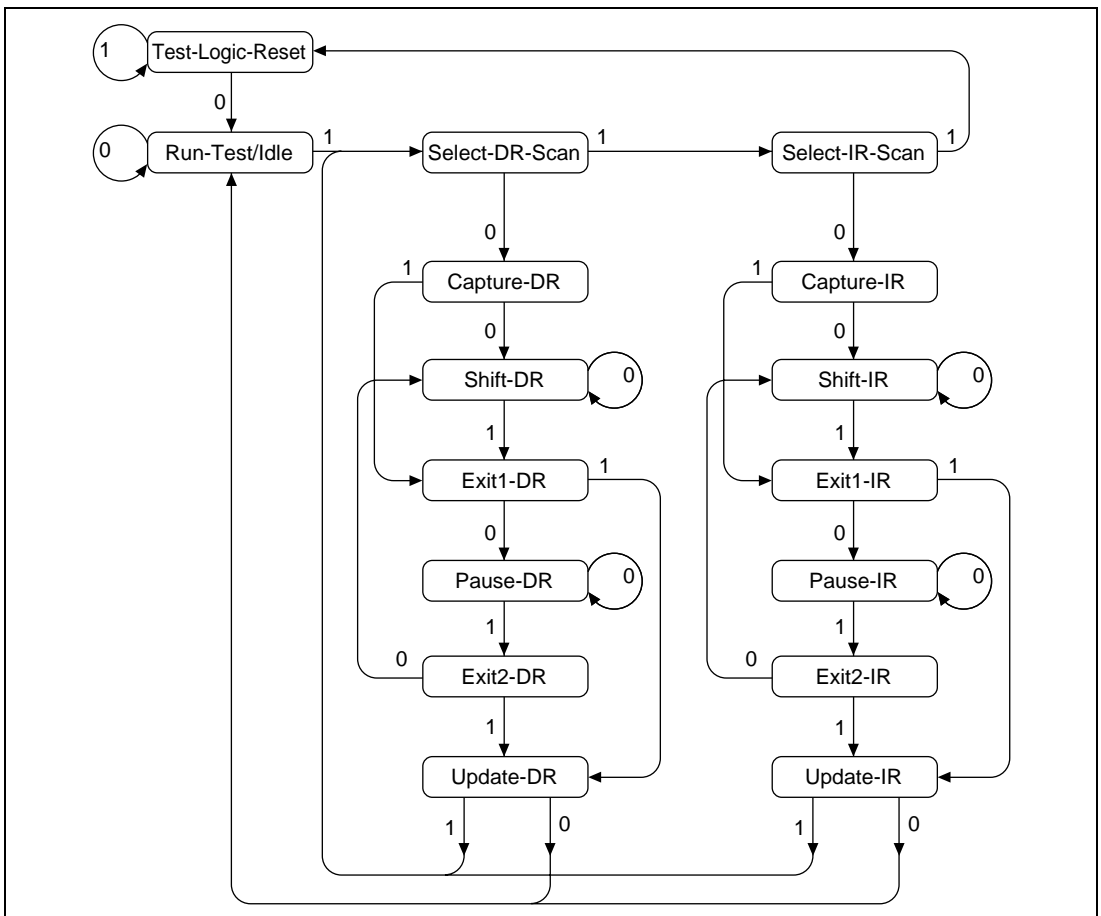


Figure 21.2 TAP Control State Transition Diagram

21.3.2 H-UDI Reset

A power-on reset is effected by an SDIR command. A reset is effected by sending an H-UDI reset assert command, and then sending an H-UDI reset negate command, from the H-UDI pin (see figure 21.3). The interval required between the H-UDI reset assert command and the H-UDI reset negate command is the same as the length of time the reset pin is held low in order to effect a power-on reset.

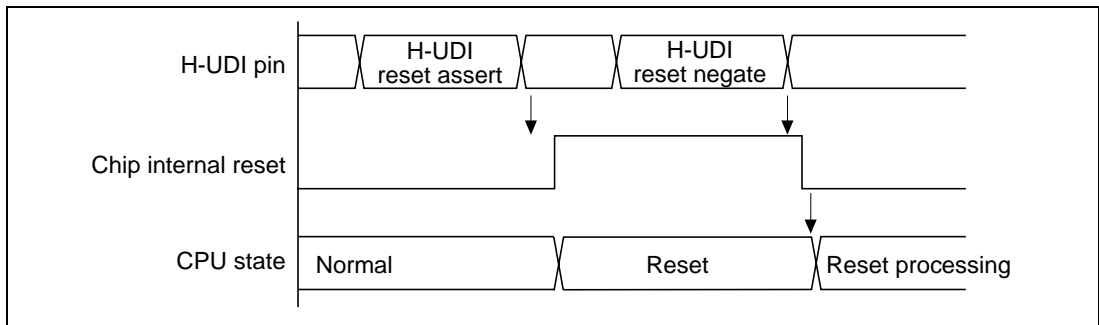


Figure 21.3 H-UDI Reset

21.3.3 H-UDI Interrupt

The H-UDI interrupt function generates an interrupt by setting a command value in SDIR from the H-UDI. The H-UDI interrupt is of general exception/interrupt operation type, with a branch to an address based on VBR and return effected by means of an RTE instruction. The exception code stored in control register INTEVT in this case is H'600. The priority of the H-UDI interrupt can be controlled with bits 3 to 0 of control register IPRC.

In the SH7750 or SH7750S, the H-UDI interrupt request signal is asserted for about eight cycles of the LSI's on-chip peripheral clock after the command is set. The number of cycles for assertion is determined by the ratio of TCK to the frequency of the on-chip peripheral clock. Since the period of assertion is limited, the CPU may miss a request.

In the SH7750R, the H-UDI interrupt request signal is asserted when the INTREQ bit in the SDINT register is set to 1 after the command is set (Update-IR). The interrupt request signal will not be negated unless a 0 is written to the INTREQ bit by software; therefore, the CPU will not miss a request. As long as the H-UDI interrupt command is set in SDIR, the SDINT register is connected between the TDI and TDO pins.

Note that, in the SH7750 or SH7750S, the H-UDI interrupt command automatically becomes a bypass command immediately after it has been set. In the SH7750R, the command is not changed except by the following operations: update in the Update-IR state, initialization in the Test-Logic-Reset state, and initialization by assertion of $\overline{\text{TRST}}$.

21.3.4 Boundary Scan (EXTEST, SAMPLE/PRELOAD, BYPASS) (SH7750R Only)

In the SH7750R, setting a command from the H-UDI in SDIR can place the H-UDI pins in the boundary scan mode that conforms to the JTAG standard. However, the following limitations apply.

1. Boundary scan does not cover clock-related signals (EXTAL, EXTAL2, XTAL, XTAL2, and CKIO).
2. Boundary scan does not cover reset-related signals ($\overline{\text{RESET}}$, CA)
3. Boundary scan does not cover H-UDI-related signals (TCK, TDI, TDO, TMS, $\overline{\text{TRST}}$).
4. With EXTEST, assert the $\overline{\text{RESET}}$ pin (low), and assert the CA pin (high). With SAMPLE/PRELOAD, assert the CA pin (high).
5. To perform boundary scan, supply a clock to the EXTAL pin, and wait for the power-on oscillation settling time to elapse before starting boundary scan. The frequency range of the input clock is from 1 to 33.3 MHz.

Note that after the power-on oscillation settling time has elapsed, a clock does not need to be supplied to the EXTAL pin any longer.

For details on the power-on oscillation settling time, see section 22, Electrical Characteristics.

6. In BYPASS mode of the SH7750 or SH7750S, the bypass register (SPDBPR) is not initialized in the Capture-DR state.

21.4 Usage Notes

1. SDIR Command

Once an SDIR command has been set, it remains unchanged until initialization by asserting $\overline{\text{TRST}}$ or placing the TAP in the Test-Logic-Reset state, or until another command (other than an H-UDI interrupt command) is written from the H-UDI.

2. SDIR Commands in Sleep Mode

Sleep mode is cleared by an H-UDI interrupt or H-UDI reset, and these exception requests are accepted in this mode. In standby mode, neither an H-UDI interrupt nor an H-UDI reset is accepted.

3. In standby mode, the H-UDI function cannot be used. Furthermore, TCK must be retained at a high level when entering the standby mode in order to retain the TAP state before and after standby mode.

4. The H-UDI is used for emulator connection. Therefore, H-UDI functions cannot be used when an emulator is used.

5. The H-UDI pins of the SH7750 and SH7750S must not be connected to a boundary-scan signal loop on the board.

Section 22 Electrical Characteristics

22.1 Absolute Maximum Ratings

Table 22.1 Absolute Maximum Ratings

Item	Symbol	Value	Unit
I/O, PLL, RTC, CPG power supply voltage	V_{DDQ} $V_{DD-PLL1/2}$ V_{DD-RTC} V_{DD-CPG}	-0.3 to 4.2, -0.3 to 4.2* ²	V
Internal power supply voltage	V_{DD}	-0.3 to 2.5, -0.3 to 2.1* ²	V
Input voltage	V_{in}	-0.3 to $V_{DDQ} + 0.3$	V
Operating temperature	T_{opr}	-20 to 75, -40 to 85* ¹	°C
Storage temperature	T_{stg}	-55 to 125	°C

Notes: Permanent damage to the chip may result if the maximum ratings are exceeded.
Permanent damage to the chip may result if all V_{SS} pins are not connected to GND.
For information on the power-on and power-off procedures, refer to appendix H, Power-On and Power-Off Procedures.

*1 HD6417750F167I, HD6417750SF167I only

*2 HD6417750R only

22.2 DC Characteristics

Table 22.2 DC Characteristics (HD6417750RBP240)

Ta = -20 to +75°C

Item		Symbol	Min	Typ	Max	Unit	Test Conditions
Power supply voltage		V_{DDQ} $V_{DD-PLL1/2}$ V_{DD-CPG} V_{DD-RTC}	3.0	3.3	3.6	V	Normal mode, sleep mode, deep sleep mode, standby mode
		V_{DD}	1.4	1.5	1.6		Normal mode, sleep mode, deep sleep mode, standby mode
Current dissipation	Normal operation	I_{DD}	—	230	580	mA	
	Sleep mode		—	—	120		
	Standby mode		—	—	400	μA	Ta = 25°C* ¹
			—	—	800		Ta > 50°C* ¹
Current dissipation	Normal operation	I_{DDQ}	—	170	215	mA	I ϕ = 240 MHz, B ϕ = 120 MHz
	Sleep mode		—	35	40		
	Standby mode		—	—	440	μA	Ta = 25°C* ¹
			—	—	880		Ta > 50°C* ¹
RTC current dissipation	Standby mode	I_{DD-RTC}	—	15	25	μA	RTC on* ²
			3	5		RTC off	
Input voltage	RESET, NMI, TRST	V_{IH}	$V_{DDQ} \times 0.9$	—	$V_{DDQ} + 0.3$	V	
	Other input pins		2.0	—	$V_{DDQ} + 0.3$		
	RESET, NMI, TRST	V_{IL}	-0.3	—	$V_{DDQ} \times 0.1$		
	Other input pins		-0.3	—	$V_{DDQ} \times 0.2$		
Input leakage current	All input pins	I _{in}	—	—	1	μA	V _{IN} = 0.5 to V _{DDQ} -0.5 V
Three-state leakage current	I/O, all output pins (off state)	I _{sti}	—	—	1	μA	V _{IN} = 0.5 to V _{DDQ} -0.5 V

Item		Symbol	Min	Typ	Max	Unit	Test Conditions
Output voltage	All output pins	V_{OH}	2.4	—	—	V	
		V_{OL}	—	—	0.55		
Pull-up resistance	All pull-up resistance	R_{pull}	20	60	180	k Ω	
Pin capacitance	All pins	C_L	—	—	10	pF	

- Notes:
1. Connect $V_{DD-PLL1/2}$, V_{DD-RTC} , and V_{DD-CPG} to V_{DDQ} and connect V_{SS-CPG} , $V_{SS-PLL1/2}$, and V_{SS-RTC} to GND, regardless of whether or not the PLL circuits and RTC are used.
 2. The current dissipation values are for $V_{IH\ min} = V_{DDQ} - 0.5\ V$ and $V_{IL\ max} = 0.5\ V$ with all output pins unloaded.
 3. I_{DDQ} is the total current value for the 3.3 V versions of V_{DDQ} , $V_{DD-PLL1/2}$, V_{DD-RTC} , and V_{DD-CPG} .
- *1 RCR2.RTCEN must be set to 1 to reduce the leak current in the standby mode. (There is no need to input a clock from EXTAL2.)
- *2 RTCON refers to the status in which RCR2.RTCEN is set to 1 and a clock is being input to EXTAL2.

Table 22.3 DC Characteristics (HD6417750RF240)
 $T_a = -20$ to $+75^\circ\text{C}$

Item		Symbol	Min	Typ	Max	Unit	Test Conditions
Power supply voltage		V_{DDQ}	3.0	3.3	3.6	V	Normal mode, sleep mode, deep sleep mode, standby mode
		$V_{DD-PLL1/2}$ V_{DD-CPG} V_{DD-RTC}					
		V_{DD}	1.4	1.5	1.6		Normal mode, sleep mode, deep sleep mode, standby mode
Current dissipation	Normal operation	I_{DD}	—	230	580	mA	$I\phi = 240$ MHz
	Sleep mode		—	—	120		
	Standby mode		—	—	400	μA	$T_a = 25^\circ\text{C}^{*1}$
			—	—	800		$T_a > 50^\circ\text{C}^{*1}$
Current dissipation	Normal operation	I_{DDQ}	—	140	180	mA	$I\phi = 240$ MHz, $B\phi = 80$ MHz
	Sleep mode		—	35	40		
	Standby mode		—	—	440	μA	$T_a = 25^\circ\text{C}^{*1}$
			—	—	880		$T_a > 50^\circ\text{C}^{*1}$
RTC current dissipation	Standby mode	I_{DD-RTC}	—	15	25	μA	RTC on ^{*2}
			3	5		RTC off	
Input voltage	$\overline{\text{RESET}}$, $\overline{\text{NMI}}$, $\overline{\text{TRST}}$	V_{IH}	$V_{DDQ} \times 0.9$	—	$V_{DDQ} + 0.3$	V	
	Other input pins		2.0	—	$V_{DDQ} + 0.3$		
	$\overline{\text{RESET}}$, $\overline{\text{NMI}}$, $\overline{\text{TRST}}$	V_{IL}	−0.3	—	$V_{DDQ} \times 0.1$		
	Other input pins		−0.3	—	$V_{DDQ} \times 0.2$		
Input leakage current	All input pins	$ I_{in} $	—	—	1	μA	$V_{IN} = 0.5$ to $V_{DDQ} - 0.5$ V
Three-state leakage current	I/O, all output pins (off state)	$ I_{sti} $	—	—	1	μA	$V_{IN} = 0.5$ to $V_{DDQ} - 0.5$ V

Item		Symbol	Min	Typ	Max	Unit	Test Conditions
Output voltage	All output pins	V_{OH}	2.4	—	—	V	
		V_{OL}	—	—	0.55		
Pull-up resistance	All pull-up resistance	R_{pull}	20	60	180	k Ω	
Pin capacitance	All pins	C_L	—	—	10	pF	

- Notes:
1. Connect $V_{DD-PLL1/2}$, V_{DD-RTC} , and V_{DD-CPG} to V_{DDQ} and V_{SS-CPG} , $V_{SS-PLL1/2}$, and $V_{SSQ-RTC}$ to GND, regardless of whether or not the PLL circuits and RTC are used.
 2. The current dissipation values are for $V_{IH\ min} = V_{DDQ} - 0.5\ V$ and $V_{IL\ max} = 0.5\ V$ with all output pins unloaded.
 3. I_{DDQ} is the total current value for the 3.3 V versions of V_{DDQ} , $V_{DD-PLL1/2}$, V_{DD-RTC} , and V_{DD-CPG} .
- *1 RCR2.RTCEN must be set to 1 to reduce the leak current in the standby mode. (There is no need to input a clock from EXTAL2.)
- *2 RTCON refers to the status in which RCR2.RTCEN is set to 1 and a clock is being input to EXTAL2.

Table 22.4 DC Characteristics (HD6417750RBP200)
 $T_a = -20$ to $+75^\circ\text{C}$

Item		Symbol	Min	Typ	Max	Unit	Test Conditions
Power supply voltage		V_{DDQ}	3.0	3.3	3.6	V	Normal mode, sleep mode, deep sleep mode, standby mode
		$V_{DD-PLL1/2}$ V_{DD-CPG} V_{DD-RTC}					
		V_{DD}	1.35	1.5	1.6		Normal mode, sleep mode, deep sleep mode, standby mode
Current dissipation	Normal operation	I_{DD}	—	190	480	mA	$I\phi = 200$ MHz
	Sleep mode		—	—	100		
	Standby mode		—	—	400	μA	$T_a = 25^\circ\text{C}^{*1}$
			—	—	800		$T_a > 50^\circ\text{C}^{*1}$
Current dissipation	Normal operation	I_{DDQ}	—	140	180	mA	$I\phi = 200$ MHz, $B\phi = 100$ MHz
	Sleep mode		—	30	35		
	Standby mode		—	—	440	μA	$T_a = 25^\circ\text{C}^{*1}$
			—	—	880		$T_a > 50^\circ\text{C}^{*1}$
RTC current dissipation	Standby mode	I_{DD-RTC}	—	15	25	μA	RTC on ^{*2}
			3	5		RTC off	
Input voltage	RESET, NMI, TRST	V_{IH}	$V_{DDQ} \times 0.9$	—	$V_{DDQ} + 0.3$	V	
	Other input pins		2.0	—	$V_{DDQ} + 0.3$		
	RESET, NMI, TRST	V_{IL}	−0.3	—	$V_{DDQ} \times 0.1$		
	Other input pins		−0.3	—	$V_{DDQ} \times 0.2$		
Input leakage current	All input pins	$ I_{in} $	—	—	1	μA	$V_{IN} = 0.5$ to $V_{DDQ} - 0.5$ V
Three-state leakage current	I/O, all output pins (off state)	$ I_{sti} $	—	—	1	μA	$V_{IN} = 0.5$ to $V_{DDQ} - 0.5$ V

Item		Symbol	Min	Typ	Max	Unit	Test Conditions
Output voltage	All output pins	V_{OH}	2.4	—	—	V	
		V_{OL}	—	—	0.55		
Pull-up resistance	All pull-up resistance	R_{pull}	20	60	180	k Ω	
Pin capacitance	All pins	C_L	—	—	10	pF	

- Notes:
1. Connect $V_{DD-PLL1/2}$, V_{DD-RTC} , and V_{DD-CPG} to V_{DDQ} and connect V_{SS-CPG} , $V_{SS-PLL1/2}$, and V_{SS-RTC} to GND, regardless of whether or not the PLL circuits and RTC are used.
 2. The current dissipation values are for $V_{IH\ min} = V_{DDQ} - 0.5\ V$ and $V_{IL\ max} = 0.5\ V$ with all output pins unloaded.
 3. I_{DDQ} is the sum of the V_{DDQ} , V_{DD-RTC} , and V_{DD-CPG} 3.3 V system currents.
- *1 RCR2.RTCEN must be set to 1 to reduce the leak current in the standby mode. (There is no need to input a clock from EXTAL2.)
- *2 RTCON refers to the status in which RCR2.RTCEN is set to 1 and a clock is being input to EXTAL2.

Table 22.5 DC Characteristics (HD6417750RF200)
 $T_a = -20$ to $+75^\circ\text{C}$

Item		Symbol	Min	Typ	Max	Unit	Test Conditions
Power supply voltage		V_{DDQ}	3.0	3.3	3.6	V	Normal mode, sleep mode, deep sleep mode, standby mode
		$V_{DD-PLL1/2}$ V_{DD-CPG} V_{DD-RTC}					
		V_{DD}	1.35	1.5	1.6		Normal mode, sleep mode, deep sleep mode, standby mode
Current dissipation	Normal operation	I_{DD}	—	190	480	mA	$I\phi = 200$ MHz
	Sleep mode		—	—	100		
	Standby mode		—	—	400	μA	$T_a = 25^\circ\text{C}^{*1}$
			—	—	800		$T_a > 50^\circ\text{C}^{*1}$
Current dissipation	Normal operation	I_{DDQ}	—	140	180	mA	$I\phi = 200$ MHz, $B\phi = 67$ MHz
	Sleep mode		—	30	35		
	Standby mode		—	—	440	μA	$T_a = 25^\circ\text{C}^{*1}$
			—	—	880		$T_a > 50^\circ\text{C}^{*1}$
RTC current dissipation	Standby mode	I_{DD-RTC}	—	15	25	μA	RTC on ^{*2}
			3	5		RTC off	
Input voltage	$\overline{\text{RESET}}$, $\overline{\text{NMI}}$, $\overline{\text{TRST}}$	V_{IH}	$V_{DDQ} \times 0.9$	—	$V_{DDQ} + 0.3$	V	
	Other input pins		2.0	—	$V_{DDQ} + 0.3$		
	$\overline{\text{RESET}}$, $\overline{\text{NMI}}$, $\overline{\text{TRST}}$	V_{IL}	−0.3	—	$V_{DDQ} \times 0.1$		
	Other input pins		−0.3	—	$V_{DDQ} \times 0.2$		
Input leakage current	All input pins	$ I_{in} $	—	—	1	μA	$V_{IN} = 0.5$ to $V_{DDQ} - 0.5$ V
Three-state leakage current	I/O, all output pins (off state)	$ I_{sti} $	—	—	1	μA	$V_{IN} = 0.5$ to $V_{DDQ} - 0.5$ V

Item		Symbol	Min	Typ	Max	Unit	Test Conditions
Output voltage	All output pins	V_{OH}	2.4	—	—	V	
		V_{OL}	—	—	0.55		
Pull-up resistance	All pull-up resistance	R_{pull}	20	60	180	k Ω	
Pin capacitance	All pins	C_L	—	—	10	pF	

- Notes:
1. Connect $V_{DD-PLL1/2}$, V_{DD-RTC} , and V_{DD-CPG} to V_{DDQ} and V_{SS-CPG} , $V_{SS-PLL1/2}$, and $V_{SSQ-RTC}$ to GND, regardless of whether or not the PLL circuits and RTC are used.
 2. The current dissipation values are for $V_{IH\ min} = V_{DDQ} - 0.5\ V$ and $V_{IL\ max} = 0.5\ V$ with all output pins unloaded.
 3. I_{DDQ} is the sum of the V_{DDQ} , $V_{DD-PLL1/2}$, V_{DD-RTC} , and V_{DD-CPG} 3.3 V system currents.
- *1 RCR2.RTCEN must be set to 1 to reduce the leak current in the standby mode. (There is no need to input a clock from EXTAL2.)
- *2 RTCON refers to the status in which RCR2.RTCEN is set to 1 and a clock is being input to EXTAL2.

Table 22.6 DC Characteristics (HD6417750SBP200)

Ta = -20 to +75°C

Item		Symbol	Min	Typ	Max	Unit	Test Conditions
Power supply voltage		V_{DDQ}	3.0	3.3	3.6	V	Normal mode, sleep mode, deep sleep mode, standby mode
		$V_{DD-PLL1/2}$ V_{DD-CPG} V_{DD-RTC}					
		V_{DD}	1.8	1.95	2.07		Normal mode, sleep mode, deep sleep mode, standby mode
Current dissipation	Normal operation	I_{DD}	—	410	780	mA	$I\phi = 200$ MHz
	Sleep mode		—	165	210		
	Standby mode		—	—	2000	μ A	Ta = 25°C (RTC on*)
			—	—	5000		Ta > 50°C (RTC on*)
Current dissipation	Normal operation	I_{DDQ}	—	140	180	mA	$I\phi = 200$ MHz, $B\phi = 100$ MHz
	Sleep mode		—	40	50		
	Standby mode		—	—	2200	μ A	Ta = 25°C (RTC on*)
			—	—	5500		Ta > 50°C (RTC on*)
RTC current dissipation	During RTC operation	I_{DD-RTC}	—	15	25	μ A	RTC input clock: 32.768 kHz Power is supplied only to V_{DD-RTC}
Input voltage	$\overline{\text{RESET}}$, $\overline{\text{NMI}}$, $\overline{\text{TRST}}$	V_{IH}	$V_{DDQ} \times 0.9$	—	$V_{DDQ} + 0.3$	V	
	Other input pins		2.0	—	$V_{DDQ} + 0.3$		
	$\overline{\text{RESET}}$, $\overline{\text{NMI}}$, $\overline{\text{TRST}}$	V_{IL}	-0.3	—	$V_{DDQ} \times 0.1$		
	Other input pins		-0.3	—	$V_{DDQ} \times 0.2$		
Output voltage	All output pins	V_{OH}	2.4	—	—	V	
		V_{OL}	—	—	0.55		
Pull-up resistance	All pull-up resistance	R_{pull}	20	60	180	k Ω	
Pin capacitance	All pins	C_L	—	—	10	pF	

- Notes:
1. Connect $V_{DD-PLL1/2}$, V_{DD-RTC} , and V_{DD-CPG} to V_{DDQ} and V_{SS-CPG} , $V_{SS-PLL1/2}$ and $V_{SSQ-RTC}$ to GND, regardless of whether or not the PLL circuits and RTC are used.
 2. The current dissipation values are for $V_{IH\ min} = V_{DDQ} - 0.5\ V$ and $V_{IL\ max} = 0.5\ V$ with all output pins unloaded.
 3. I_{DDQ} is the sum of the V_{DDQ} , $V_{DD-PLL1/2}$, V_{DD-RTC} , and V_{DD-CPG} 3.3 V system currents.
- * To reduce the leakage current in standby mode, the RTC must be turned on (input the clock from EXTAL2 and set RCR2.RTCEN to 1).

Table 22.7 DC Characteristics (HD6417750SF200)

Ta = -20 to +75°C

Item		Symbol	Min	Typ	Max	Unit	Test Conditions
Power supply voltage		V_{DDQ}	3.0	3.3	3.6	V	Normal mode, sleep mode, deep sleep mode, standby mode
		$V_{DD-PLL1/2}$ V_{DD-CPG} V_{DD-RTC}					
		V_{DD}	1.8	1.95	2.07		Normal mode, sleep mode, deep sleep mode, standby mode
Current dissipation	Normal operation	I_{DD}	—	410	780	mA	$I\phi = 200$ MHz
	Sleep mode		—	165	210		
	Standby mode		—	—	2000	μ A	Ta = 25°C (RTC on*)
			—	—	5000		Ta > 50°C (RTC on*)
Current dissipation	Normal operation	I_{DDQ}	—	140	180	mA	$I\phi = 200$ MHz, $B\phi = 67$ MHz
	Sleep mode		—	40	50		
	Standby mode		—	—	2200	μ A	Ta = 25°C (RTC on*)
			—	—	5500		Ta > 50°C (RTC on*)
RTC current dissipation	During RTC operation	I_{DD-RTC}	—	15	25	μ A	RTC input clock: 32.768 kHz Power is supplied only to V_{DD-RTC}
Input voltage	$\overline{\text{RESET}}$, $\overline{\text{NMI}}$, $\overline{\text{TRST}}$	V_{IH}	$V_{DDQ} \times 0.9$	—	$V_{DDQ} + 0.3$	V	
	Other input pins		2.0	—	$V_{DDQ} + 0.3$		
	$\overline{\text{RESET}}$, $\overline{\text{NMI}}$, $\overline{\text{TRST}}$	V_{IL}	-0.3	—	$V_{DDQ} \times 0.1$		
	Other input pins		-0.3	—	$V_{DDQ} \times 0.2$		
Output voltage	All output pins	V_{OH}	2.4	—	—	V	
		V_{OL}	—	—	0.55		
Pull-up resistance	All pull-up resistance	R_{pull}	20	60	180	k Ω	
Pin capacitance	All pins	C_L	—	—	10	pF	

- Notes:
1. Connect $V_{DD-PLL1/2}$, V_{DD-RTC} , and V_{DD-CPG} to V_{DDQ} and V_{SS-CPG} , $V_{SS-PLL1/2}$ and $V_{SSQ-RTC}$ to GND, regardless of whether or not the PLL circuits and RTC are used.
 2. The current dissipation values are for $V_{IH\ min} = V_{DDQ} - 0.5\ V$ and $V_{IL\ max} = 0.5\ V$ with all output pins unloaded.
 3. I_{DDQ} is the sum of the V_{DDQ} , $V_{DD-PLL1/2}$, V_{DD-RTC} , and V_{DD-CPG} 3.3 V system currents.
- * To reduce the leakage current in standby mode, the RTC must be turned on (input the clock from EXTAL2 and set RCR2.RTCEN to 1).

Table 22.8 DC Characteristics (HD6417750BP200M)

Ta = -20 to +75°C

Item		Symbol	Min	Typ	Max	Unit	Test Conditions
Power supply voltage		V_{DDQ}	3.0	3.3	3.6	V	Normal mode, sleep mode, deep sleep mode, standby mode
		$V_{DD-PLL1/2}$ V_{DD-CPG} V_{DD-RTC}					
		V_{DD}	1.8	1.95	2.07		Normal mode, sleep mode, deep sleep mode, standby mode
Current dissipation	Normal operation	I_{DD}	—	1000	1200	mA	$I\phi = 200$ MHz
	Sleep mode		—	165	—		
	Standby mode		—	—	2000	μ A	Ta = 25°C (RTC on*)
			—	—	5000		Ta > 50°C (RTC on*)
Current dissipation	Normal operation	I_{DDQ}	—	160	200	mA	$I\phi = 200$ MHz, $B\phi = 100$ MHz
	Sleep mode		—	40	—		
	Standby mode		—	—	2200	μ A	Ta = 25°C (RTC on*)
			—	—	5500		Ta > 50°C (RTC on*)
Input voltage	$\overline{\text{RESET}}$, NMI , $\overline{\text{TRST}}$	V_{IH}	$V_{DDQ} \times 0.9$	—	$V_{DDQ} + 0.3$	V	
	Other input pins		2.0	—	$V_{DDQ} + 0.3$		
	$\overline{\text{RESET}}$, NMI , $\overline{\text{TRST}}$	V_{IL}	-0.3	—	$V_{DDQ} \times 0.1$		
	Other input pins		-0.3	—	$V_{DDQ} \times 0.2$		
Output voltage	All output pins	V_{OH}	2.4	—	—	V	
		V_{OL}	—	—	0.55		
Pull-up resistance	All pull-up resistance	R_{pull}	20	60	180	k Ω	
Pin capacitance	All pins	C_L	—	—	10	pF	

- Notes:
1. Connect $V_{DD-PLL1/2}$, V_{DD-RTC} , and V_{DD-CPG} to V_{DDQ} and V_{SS-CPG} , $V_{SS-PLL1/2}$ and $V_{SSQ-RTC}$ to GND, regardless of whether or not the PLL circuits and RTC are used.
 2. The current dissipation values are for $V_{IH\ min} = V_{DDQ} - 0.5\ V$ and $V_{IL\ max} = 0.5\ V$ with all output pins unloaded.
 3. I_{DDQ} is the sum of the V_{DDQ} , $V_{DD-PLL1/2}$, V_{DD-RTC} , and V_{DD-CPG} 3.3 V system currents.
- * To reduce the leakage current in standby mode, the RTC must be turned on (input the clock from EXTAL2 and set RCR2.RTCEN to 1).

Table 22.9 DC Characteristics (HD6417750SF167)

Ta = -20 to +75°C

Item		Symbol	Min	Typ	Max	Unit	Test Conditions	
Power supply voltage		V_{DDQ}	3.0	3.3	3.6	V	Normal mode, sleep mode, deep sleep mode, standby mode	
		$V_{DD-PLL1/2}$ V_{DD-CPG} V_{DD-RTC}						
		V_{DD}	1.6	1.8	2.0		Normal mode, sleep mode, deep sleep mode, standby mode	
Current dissipation	Normal operation	I_{DD}	—	320	650	mA	$I\phi = 167$ MHz	
	Sleep mode		—	120	150			
	Standby mode			—	50	400	μ A	Ta = 25°C (RTC on*)
				—	100	800		Ta > 50°C (RTC on*)
Current dissipation	Normal operation	I_{DDQ}	—	140	180	mA	$I\phi = 167$ MHz, $B\phi = 84$ MHz	
	Sleep mode		—	40	50			
	Standby mode			—	110	440	μ A	Ta = 25°C (RTC on*)
				—	220	880		Ta > 50°C (RTC on*)
RTC current dissipation	During RTC operation	I_{DD-RTC}	—	15	45	μ A	RTC input clock: 32.768 kHz Power is supplied only to V_{DD-RTC}	
Input voltage	$\overline{\text{RESET}}$, $\overline{\text{NMI}}$, $\overline{\text{TRST}}$	V_{IH}	$V_{DDQ} \times 0.9$	—	$V_{DDQ} + 0.3$	V		
	Other input pins		2.0	—	$V_{DDQ} + 0.3$			
	$\overline{\text{RESET}}$, $\overline{\text{NMI}}$, $\overline{\text{TRST}}$	V_{IL}	-0.3	—	$V_{DDQ} \times 0.1$			
	Other input pins		-0.3	—	$V_{DDQ} \times 0.2$			
Output voltage	All output pins	V_{OH}	2.4	—	—	V		
		V_{OL}	—	—	0.55			
Pull-up resistance	All pull-up resistance	R_{pull}	20	60	180	k Ω		
Pin capacitance	All pins	C_L	—	—	10	pF		

- Notes:
1. Connect $V_{DD-PLL1/2}$, V_{DD-RTC} , and V_{DD-CPG} to V_{DDQ} and V_{SS-CPG} , $V_{SS-PLL1/2}$ and $V_{SSQ-RTC}$ to GND, regardless of whether or not the PLL circuits and RTC are used.
 2. The current dissipation values are for $V_{IH\ min} = V_{DDQ} - 0.5\ V$ and $V_{IL\ max} = 0.5\ V$ with all output pins unloaded.
 3. I_{DDQ} is the sum of the V_{DDQ} , $V_{DD-PLL1/2}$, V_{DD-RTC} , and V_{DD-CPG} 3.3 V system currents.
- * To reduce the leakage current in standby mode, the RTC must be turned on (input the clock from EXTAL2 and set RCR2.RTCEN to 1).

Table 22.10 DC Characteristics (HD6417750SF167I)

Ta = -40 to +85°C

Item		Symbol	Min	Typ	Max	Unit	Test Conditions	
Power supply voltage		V_{DDQ}	3.0	3.3	3.6	V	Normal mode, sleep mode, deep sleep mode, standby mode	
		$V_{DD-PLL1/2}$ V_{DD-CPG} V_{DD-RTC}						
		V_{DD}	1.6	1.8	2.0		Normal mode, sleep mode, deep sleep mode, standby mode	
Current dissipation	Normal operation	I_{DD}	—	320	650	mA	$I\phi = 167$ MHz	
	Sleep mode		—	140	175			
	Standby mode			—	50	400	μ A	Ta = 25°C (RTC on*)
				—	100	880		Ta > 50°C (RTC on*)
Current dissipation	Normal operation	I_{DDQ}	—	180	220	mA	$I\phi = 167$ MHz, $B\phi = 84$ MHz	
	Sleep mode		—	50	65			
	Standby mode			—	110	440	μ A	Ta = 25°C (RTC on*)
				—	220	960		Ta > 50°C (RTC on*)
RTC current dissipation	During RTC operation	I_{DD-RTC}	—	15	45	μ A	RTC input clock: 32.768 kHz Power is supplied only to V_{DD-RTC}	
Input voltage	$\overline{\text{RESET}}$, $\overline{\text{NMI}}$, $\overline{\text{TRST}}$	V_{IH}	$V_{DDQ} \times 0.9$	—	$V_{DDQ} + 0.3$	V		
	Other input pins		2.0	—	$V_{DDQ} + 0.3$			
	$\overline{\text{RESET}}$, $\overline{\text{NMI}}$, $\overline{\text{TRST}}$	V_{IL}	-0.3	—	$V_{DDQ} \times 0.1$			
	Other input pins		-0.3	—	$V_{DDQ} \times 0.2$			
Output voltage	All output pins	V_{OH}	2.4	—	—	V		
		V_{OL}	—	—	0.55			
Pull-up resistance	All pull-up resistance	R_{pull}	20	60	180	k Ω		
Pin capacitance	All pins	C_L	—	—	10	pF		

- Notes:
1. Connect $V_{DD-PLL1/2}$, V_{DD-RTC} , and V_{DD-CPG} to V_{DDQ} and V_{SS-CPG} , $V_{SS-PLL1/2}$ and $V_{SSQ-RTC}$ to GND, regardless of whether or not the PLL circuits and RTC are used.
 2. The current dissipation values are for $V_{IH\ min} = V_{DDQ} - 0.5\ V$ and $V_{IL\ max} = 0.5\ V$ with all output pins unloaded.
 3. I_{DDQ} is the sum of the V_{DDQ} , $V_{DD-PLL1/2}$, V_{DD-RTC} , and V_{DD-CPG} 3.3 V system currents.
- * To reduce the leakage current in standby mode, the RTC must be turned on (input the clock from EXTAL2 and set RCR2.RTCEN to 1).

Table 22.11 DC Characteristics (HD6417750F167)

Ta = -20 to +75°C

Item		Symbol	Min	Typ	Max	Unit	Test Conditions
Power supply voltage		V_{DDQ}	3.0	3.3	3.6	V	Normal mode, sleep mode, deep sleep mode, standby mode
		$V_{DD-PLL1/2}$ V_{DD-CPG} V_{DD-RTC}					
		V_{DD}	1.6	1.8	2.0		Normal mode, sleep mode, deep sleep mode, standby mode
Current dissipation	Normal operation	I_{DD}	—	630	700	mA	$I\phi = 167$ MHz
	Sleep mode		—	120	—		
	Standby mode		—	—	400	μ A	Ta = 25°C (RTC on*)
			—	—	800		Ta > 50°C (RTC on*)
Current dissipation	Normal operation	I_{DDQ}	—	160	200	mA	$I\phi = 167$ MHz, $B\phi = 84$ MHz
	Sleep mode		—	40	—		
	Standby mode		—	—	440	μ A	Ta = 25°C (RTC on*)
			—	—	880		Ta > 50°C (RTC on*)
Input voltage	\overline{RESET} , NMI, \overline{TRST}	V_{IH}	$V_{DDQ} \times 0.9$	—	$V_{DDQ} + 0.3$	V	
	Other input pins		2.0	—	$V_{DDQ} + 0.3$		
	\overline{RESET} , NMI, \overline{TRST}	V_{IL}	-0.3	—	$V_{DDQ} \times 0.1$		
	Other input pins		-0.3	—	$V_{DDQ} \times 0.2$		
Output voltage	All output pins	V_{OH}	2.4	—	—	V	
		V_{OL}	—	—	0.55		
Pull-up resistance	All pull-up resistance	R_{pull}	20	60	180	k Ω	
Pin capacitance	All pins	C_L	—	—	10	pF	

- Notes:
1. Connect $V_{DD-PLL1/2}$, V_{DD-RTC} , and V_{DD-CPG} to V_{DDQ} and V_{SS-CPG} , $V_{SS-PLL1/2}$ and $V_{SSQ-RTC}$ to GND, regardless of whether or not the PLL circuits and RTC are used.
 2. The current dissipation values are for $V_{IH\ min} = V_{DDQ} - 0.5\ V$ and $V_{IL\ max} = 0.5\ V$ with all output pins unloaded.
 3. I_{DDQ} is the sum of the V_{DDQ} , $V_{DD-PLL1/2}$, V_{DD-RTC} , and V_{DD-CPG} 3.3 V system currents.
- * To reduce the leakage current in standby mode, the RTC must be turned on (input the clock from EXTAL2 and set RCR2.RTCEN to 1).

Table 22.12 DC Characteristics (HD6417750F167I)

Ta = -40 to +85°C

Item		Symbol	Min	Typ	Max	Unit	Test Conditions
Power supply voltage		V_{DDQ}	3.0	3.3	3.6	V	Normal mode, sleep mode, deep sleep mode, standby mode
		$V_{DD-PLL1/2}$ V_{DD-CPG} V_{DD-RTC}					
		V_{DD}	1.6	1.8	2.0		Normal mode, sleep mode, deep sleep mode, standby mode
Current dissipation	Normal operation	I_{DD}	—	720	800	mA	$I\phi = 167$ MHz
	Sleep mode		—	140	—		
	Standby mode		—	50	400	μ A	Ta = 25°C (RTC on*)
			—	100	880		Ta > 50°C (RTC on*)
Current dissipation	Normal operation	I_{DDQ}	—	180	220	mA	$I\phi = 167$ MHz, $B\phi = 83$ MHz
	Sleep mode		—	50	—		
	Standby mode		—	110	440	μ A	Ta = 25°C (RTC on*)
			—	220	960		Ta > 50°C (RTC on*)
Input voltage	$\overline{\text{RESET}}$, NMI , $\overline{\text{TRST}}$	V_{IH}	$V_{DDQ} \times 0.9$	—	$V_{DDQ} + 0.3$	V	
	Other input pins		2.0	—	$V_{DDQ} + 0.3$		
	$\overline{\text{RESET}}$, NMI , $\overline{\text{TRST}}$	V_{IL}	-0.3	—	$V_{DDQ} \times 0.1$		
	Other input pins		-0.3	—	$V_{DDQ} \times 0.2$		
Output voltage	All output pins	V_{OH}	2.4	—	—	V	
		V_{OL}	—	—	0.55		
Pull-up resistance	All pull-up resistance	R_{pull}	20	60	180	k Ω	
Pin capacitance	All pins	C_L	—	—	10	pF	

- Notes:
1. Connect $V_{DD-PLL1/2}$, V_{DD-RTC} , and V_{DD-CPG} to V_{DDQ} and V_{SS-CPG} , $V_{SS-PLL1/2}$ and $V_{SSQ-RTC}$ to GND, regardless of whether or not the PLL circuits and RTC are used.
 2. The current dissipation values are for $V_{IH\ min} = V_{DDQ} - 0.5\ V$ and $V_{IL\ max} = 0.5\ V$ with all output pins unloaded.
 3. I_{DDQ} is the sum of the V_{DDQ} , $V_{DD-PLL1/2}$, V_{DD-RTC} , and V_{DD-CPG} 3.3 V system currents.
- * To reduce the leakage current in standby mode, the RTC must be turned on (input the clock from EXTAL2 and set RCR2.RTCEN to 1).

Table 22.13 DC Characteristics (HD6417750SVF133)

Ta = -20 to +75°C

Item		Symbol	Min	Typ	Max	Unit	Test Conditions	
Power supply voltage		V_{DDQ}	3.0	3.3	3.6	V	Normal mode, sleep mode, deep sleep mode, standby mode	
		$V_{DD-PLL1/2}$ V_{DD-CPG} V_{DD-RTC}						
		V_{DD}	1.4	1.5	1.7		Normal mode, sleep mode, deep sleep mode, standby mode	
Current dissipation	Normal operation	I_{DD}	—	210	520	mA	$I\phi = 133$ MHz, $B\phi = 66$ MHz	
	Sleep mode		—	50	60			
	Standby mode			—	—	100	μ A	Ta = 25°C (RTC on*)
				—	—	200		Ta > 50°C (RTC on*)
Current dissipation	Normal operation	I_{DDQ}	—	80	160	mA	$I\phi = 133$ MHz, $B\phi = 67$ MHz	
	Sleep mode		—	35	40			
	Standby mode			—	—	110	μ A	Ta = 25°C (RTC on*)
				—	—	220		Ta > 50°C (RTC on*)
RTC current dissipation	During RTC operation	I_{DD-RTC}	—	15	25	μ A	RTC input clock: 32.768 kHz Power is supplied only to V_{DD-RTC}	
Input voltage	\overline{RESET} , \overline{NMI} , \overline{TRST}	V_{IH}	$V_{DDQ} \times 0.9$	—	$V_{DDQ} + 0.3$	V		
	Other input pins		2.0	—	$V_{DDQ} + 0.3$			
	\overline{RESET} , \overline{NMI} , \overline{TRST}	V_{IL}	-0.3	—	$V_{DDQ} \times 0.1$			
	Other input pins		-0.3	—	$V_{DDQ} \times 0.2$			
Output voltage	All output pins	V_{OH}	2.4	—	—	V		
		V_{OL}	—	—	0.55			
Pull-up resistance	All pull-up resistance	R_{pull}	20	60	180	k Ω		
Pin capacitance	All pins	C_L	—	—	10	pF		

- Notes:
1. Connect $V_{DD-PLL1/2}$, V_{DD-RTC} , and V_{DD-CPG} to V_{DDQ} and V_{SS-CPG} , $V_{SS-PLL1/2}$ and $V_{SSQ-RTC}$ to GND, regardless of whether or not the PLL circuits and RTC are used.
 2. The current dissipation values are for $V_{IH\ min} = V_{DDQ} - 0.5\ V$ and $V_{IL\ max} = 0.5\ V$ with all output pins unloaded.
 3. I_{DDQ} is the sum of the V_{DDQ} , $V_{DD-PLL1/2}$, V_{DD-RTC} , and V_{DD-CPG} 3.3 V system currents.
- * To reduce the leakage current in standby mode, the RTC must be turned on (input the clock from EXTAL2 and set RCR2.RTCEN to 1).

Table 22.14 DC Characteristics (HD6417750SVBT133)

Ta = -30 to +70°C

Item		Symbol	Min	Typ	Max	Unit	Test Conditions	
Power supply voltage		V_{DDQ}	3.0	3.3	3.6	V	Normal mode, sleep mode, deep sleep mode, standby mode	
		$V_{DD-PLL1/2}$ V_{DD-CPG} V_{DD-RTC}						
		V_{DD}	1.4	1.5	1.7		Normal mode, sleep mode, deep sleep mode, standby mode	
Current dissipation	Normal operation	I_{DD}	—	210	520	mA	$I\phi = 133$ MHz, $B\phi = 66$ MHz	
	Sleep mode		—	50	60			
	Standby mode			—	—	100	μ A	Ta = 25°C (RTC on*)
				—	—	200		Ta > 50°C (RTC on*)
Current dissipation	Normal operation	I_{DDQ}	—	80	160	mA	$I\phi = 133$ MHz, $B\phi = 67$ MHz	
	Sleep mode		—	35	40			
	Standby mode			—	—	110	μ A	Ta = 25°C (RTC on*)
				—	—	220		Ta > 50°C (RTC on*)
RTC current dissipation	During RTC operation	I_{DD-RTC}	—	15	45	μ A	RTC input clock: 32.768 kHz Power is supplied only to V_{DD-RTC}	
Input voltage	\overline{RESET} , \overline{NMI} , \overline{TRST}	V_{IH}	$V_{DDQ} \times 0.9$	—	$V_{DDQ} + 0.3$	V		
	Other input pins		2.0	—	$V_{DDQ} + 0.3$			
	\overline{RESET} , \overline{NMI} , \overline{TRST}	V_{IL}	-0.3	—	$V_{DDQ} \times 0.1$			
	Other input pins		-0.3	—	$V_{DDQ} \times 0.2$			
Output voltage	All output pins	V_{OH}	2.4	—	—	V		
		V_{OL}	—	—	0.55			
Pull-up resistance	All pull-up resistance	R_{pull}	20	60	180	k Ω		
Pin capacitance	All pins	C_L	—	—	10	pF		

- Notes:
1. Connect $V_{DD-PLL1/2}$, V_{DD-RTC} , and V_{DD-CPG} to V_{DDQ} and V_{SS-CPG} , $V_{SS-PLL1/2}$ and $V_{SSQ-RTC}$ to GND, regardless of whether or not the PLL circuits and RTC are used.
 2. The current dissipation values are for $V_{IH\ min} = V_{DDQ} - 0.5\ V$ and $V_{IL\ max} = 0.5\ V$ with all output pins unloaded.
 3. I_{DDQ} is the sum of the V_{DDQ} , $V_{DD-PLL1/2}$, V_{DD-RTC} , and V_{DD-CPG} 3.3 V system currents.
- * To reduce the leakage current in standby mode, the RTC must be turned on (input the clock from EXTAL2 and set RCR2.RTCEN to 1).

Table 22.15 DC Characteristics (HD6417750VF128)

Ta = -20 to +75°C

Item		Symbol	Min	Typ	Max	Unit	Test Conditions	
Power supply voltage		V_{DDQ}	3.0	3.3	3.6	V	Normal mode, sleep mode, deep sleep mode, standby mode	
		$V_{DD-PLL1/2}$ V_{DD-CPG} V_{DD-RTC}						
		V_{DD}	1.4	1.5	1.7		Normal mode, sleep mode, deep sleep mode, standby mode	
Current dissipation	Normal operation	I_{DD}	—	—	520	mA	$I\phi = 128$ MHz, $B\phi = 64$ MHz	
	Sleep mode		—	—	60			
	Standby mode			—	—	100	μ A	Ta = 25°C (RTC on*)
				—	—	200		Ta > 50°C (RTC on*)
Current dissipation	Normal operation	I_{DDQ}	—	—	160	mA	$I\phi = 128$ MHz, $B\phi = 64$ MHz	
	Sleep mode		—	—	40			
	Standby mode			—	—	110	μ A	Ta = 25°C (RTC on*)
				—	—	220		Ta > 50°C (RTC on*)
Input voltage	$\overline{\text{RESET}}$, NMI , $\overline{\text{TRST}}$	V_{IH}	$V_{DDQ} \times 0.9$	—	$V_{DDQ} + 0.3$	V		
	Other input pins		2.0	—	$V_{DDQ} + 0.3$			
	$\overline{\text{RESET}}$, NMI , $\overline{\text{TRST}}$	V_{IL}	-0.3	—	$V_{DDQ} \times 0.1$			
	Other input pins		-0.3	—	$V_{DDQ} \times 0.2$			
Output voltage	All output pins	V_{OH}	2.4	—	—	V		
		V_{OL}	—	—	0.55			
Pull-up resistance	All pull-up resistance	R_{pull}	20	60	180	k Ω		
Pin capacitance	All pins	C_L	—	—	10	pF		

- Notes:
1. Connect $V_{DD-PLL1/2}$, V_{DD-RTC} , and V_{DD-CPG} to V_{DDQ} and V_{SS-CPG} , $V_{SS-PLL1/2}$ and $V_{SSQ-RTC}$ to GND, regardless of whether or not the PLL circuits and RTC are used.
 2. The current dissipation values are for $V_{IH\ min} = V_{DDQ} - 0.5\ V$ and $V_{IL\ max} = 0.5\ V$ with all output pins unloaded.
 3. I_{DDQ} is the sum of the V_{DDQ} , $V_{DD-PLL1/2}$, V_{DD-RTC} , and V_{DD-CPG} 3.3 V system currents.
- * To reduce the leakage current in standby mode, the RTC must be turned on (input the clock from EXTAL2 and set RCR2.RTCEN to 1).

Table 22.16 Permissible Output Currents

$T_a = -20$ to $+75^\circ\text{C}$

Item	Symbol	Min	Typ	Max	Unit
Permissible output low current (per pin)	I_{OL}	—	—	2	mA
Permissible output low current (total)	ΣI_{OL}	—	—	120	
Permissible output high current (per pin)	$-I_{OH}$	—	—	2	
Permissible output high current (total)	$\Sigma(-I_{OH})$	—	—	40	

Note: To protect chip reliability, do not exceed the output current values in table 22.16.

22.3 AC Characteristics

In principle, SH7750 Series input should be synchronous. Unless specified otherwise, ensure that the setup time and hold times for each input signal are observed.

Table 22.17 Clock Timing (HD6417750RBP240)

Item		Symbol	Min	Typ	Max	Unit
Operating frequency	CPU, FPU, cache, TLB	f	1	—	240	MHz
	External bus		1	—	120	
	Peripheral modules		1	—	60	

Table 22.18 Clock Timing (HD6417750RF240)

Item		Symbol	Min	Typ	Max	Unit
Operating frequency	CPU, FPU, cache, TLB	f	1	—	240	MHz
	External bus		1	—	84	
	Peripheral modules		1	—	60	

Table 22.19 Clock Timing (HD6417750BP200M, HD6417750SBP200, HD6417750RBP200)

Item		Symbol	Min	Typ	Max	Unit
Operating frequency	CPU, FPU, cache, TLB	f	1	—	200	MHz
	External bus		1	—	100	
	Peripheral modules		1	—	50	

Table 22.20 Clock Timing (HD6417750RF200)

Item		Symbol	Min	Typ	Max	Unit
Operating frequency	CPU, FPU, cache, TLB	f	1	—	200	MHz
	External bus		1	—	84	
	Peripheral modules		1	—	50	

Table 22.21 Clock Timing (HD6417750SF200)

Item		Symbol	Min	Typ	Max	Unit
Operating frequency	CPU, FPU, cache, TLB	f	1	—	200	MHz
	External bus		1	—	67	
	Peripheral modules		1	—	50	

Table 22.22 Clock Timing (HD6417750F167, HD6417750F167I, HD6417750SF167, HD6417750SF167I)

Item		Symbol	Min	Typ	Max	Unit
Operating frequency	CPU, FPU, cache, TLB	f	1	—	167	MHz
	External bus		1	—	84	
	Peripheral modules		1	—	42	

Table 22.23 Clock Timing (HD6417750SVF133, HD6417750SVBT133)

Item		Symbol	Min	Typ	Max	Unit
Operating frequency	CPU, FPU, cache, TLB	f	1	—	134	MHz
	External bus		1	—	67	
	Peripheral modules		1	—	34	

Table 22.24 Clock Timing (HD6417750VF128)

Item		Symbol	Min	Typ	Max	Unit
Operating frequency	CPU, FPU, cache, TLB	f	1	—	128	MHz
	External bus		1	—	64	
	Peripheral modules		1	—	32	

22.3.1 Clock and Control Signal Timing

Table 22.25 Clock and Control Signal Timing (HD6417750RBP240)

$V_{DDQ} = 3.0$ to 3.6 V, $V_{DD} = 1.5$ V, $T_a = -20$ to $+75^\circ\text{C}$, $C_L = 30$ pF

Item		Symbol	Min	Max	Unit	Figure
EXTAL clock input frequency	PLL1 6-times/PLL2 operation	f_{EX}	16	34	MHz	
	PLL1 12-times/PLL2 operation	f_{EX}	14	20		
	PLL1/PLL2 not operating	f_{EX}	1	34		
EXTAL clock input cycle time		t_{EXcyc}	30	1000	ns	22.1
EXTAL clock input low-level pulse width		t_{EXL}	3.5	—	ns	22.1
EXTAL clock input high-level pulse width		t_{EXH}	3.5	—	ns	22.1
EXTAL clock input rise time		t_{EXr}	—	4	ns	22.1
EXTAL clock input fall time		t_{EXf}	—	4	ns	22.1
CKIO clock output	PLL1/PLL2 operating	f_{OP}	25	120	MHz	
	PLL1/PLL2 not operating	f_{OP}	1	34		
CKIO clock output cycle time		t_{cyc}	8.3	1000	ns	22.2(1)
CKIO clock output low-level pulse width		t_{CKOL1}	1	—	ns	22.2(1)
CKIO clock output high-level pulse width		t_{CKOH1}	1	—	ns	22.2(1)
CKIO clock output rise time		t_{CKOr}	—	3	ns	22.2(1)
CKIO clock output fall time		t_{CKOf}	—	3	ns	22.2(1)
CKIO clock output low-level pulse width		t_{CKOL2}	3	—	ns	22.2(2)
CKIO clock output high-level pulse width		t_{CKOH2}	3	—	ns	22.2(2)
Power-on oscillation settling time		t_{OSC1}	10	—	ms	22.3, 22.5
Power-on oscillation settling time/mode settling		t_{OSCMD}	10	—	ms	22.3, 22.5
SCK2 reset setup time		t_{SCK2RS}	20	—	ns	22.11
SCK2 reset hold time		t_{SCK2RH}	20	—	ns	22.3, 22.5, 22.11
MD reset setup time		t_{MDRS}	3	—	t_{cyc}	22.12
MD reset hold time		t_{MDRH}	20	—	ns	22.3, 22.5, 22.12
RESET assert time		t_{RESW}	20	—	t_{cyc}	22.3, 22.4, 22.5, 22.6, 22.11
PLL synchronization settling time		t_{PLL}	200	—	μs	22.9, 22.10
Standby return oscillation settling time 1		t_{OSC2}	3	—	ms	22.4, 22.6
Standby return oscillation settling time 2		t_{OSC3}	3	—	ms	22.7

Item	Symbol	Min	Max	Unit	Figure
Standby return oscillation settling time 3	t_{OSC4}	3	—	ms	22.8
Standby return oscillation settling time 1*	t_{OSC2}	2	—	ms	
Standby return oscillation settling time 2*	t_{OSC3}	2	—	ms	
Standby return oscillation settling time 3*	t_{OSC4}	2	—	ms	
IRL interrupt determination time (RTC used, standby mode)	t_{IRLSTB}	—	200	μ s	22.10
TRST reset hold time	t_{TRSTRH}	0	—	ns	22.3, 22.5

- Notes:
1. When a crystal resonator is connected to EXTAL and XTAL, the maximum frequency is 34 MHz. When a 3rd overtone crystal resonator is used, an external tank circuit is necessary.
 2. The maximum load capacitance to be connected to CKIO pin should be 50 pF in PLL2 operation, because there is a feedback from CKIO pin.
- * When the oscillation settling time of a crystal resonator is lower than or equal to 1 ms.

Table 22.26 Clock and Control Signal Timing (HD6417750RF240)
 $V_{DDQ} = 3.0 \text{ to } 3.6 \text{ V}$, $V_{DD} = 1.5 \text{ V}$, $T_a = -20 \text{ to } +75^\circ\text{C}$, $C_L = 30 \text{ pF}$

Item		Symbol	Min	Max	Unit	Figure
EXTAL clock input frequency	PLL1 6-times/PLL2 operation	f_{EX}	16	34	MHz	
	PLL1 12-times/PLL2 operation	f_{EX}	14	20		
	PLL1/PLL2 not operating	f_{EX}	1	34		
EXTAL clock input cycle time		t_{EXcyc}	30	1000	ns	22.1
EXTAL clock input low-level pulse width		t_{EXL}	3.5	—	ns	22.1
EXTAL clock input high-level pulse width		t_{EXH}	3.5	—	ns	22.1
EXTAL clock input rise time		t_{EXr}	—	4	ns	22.1
EXTAL clock input fall time		t_{EXf}	—	4	ns	22.1
CKIO clock output	PLL1/PLL2 operating	f_{OP}	25	84	MHz	
	PLL1/PLL2 not operating	f_{OP}	1	34		
CKIO clock output cycle time		t_{cyc}	11.9	1000	ns	22.2(1)
CKIO clock output low-level pulse width		t_{CKOL1}	1	—	ns	22.2(1)
CKIO clock output high-level pulse width		t_{CKOH1}	1	—	ns	22.2(1)
CKIO clock output rise time		t_{CKOr}	—	3	ns	22.2(1)
CKIO clock output fall time		t_{CKOf}	—	3	ns	22.2(1)
CKIO clock output low-level pulse width		t_{CKOL2}	3	—	ns	22.2(2)
CKIO clock output high-level pulse width		t_{CKOH2}	3	—	ns	22.2(2)
Power-on oscillation settling time		t_{OSC1}	10	—	ms	22.3, 22.5
Power-on oscillation settling time/mode settling		t_{OSCMD}	10	—	ms	22.3, 22.5
SCK2 reset setup time		t_{SCK2RS}	20	—	ns	22.11
SCK2 reset hold time		t_{SCK2RH}	20	—	ns	22.3, 22.5, 22.11
MD reset setup time		t_{MDRS}	3	—	t_{cyc}	22.12
MD reset hold time		t_{MDRH}	20	—	ns	22.3, 22.5, 22.12
RESET assert time		t_{RESW}	20	—	t_{cyc}	22.3, 22.4, 22.5, 22.6, 22.11
PLL synchronization settling time		t_{PLL}	200	—	μs	22.9, 22.10
Standby return oscillation settling time 1		t_{OSC2}	3	—	ms	22.4, 22.6
Standby return oscillation settling time 2		t_{OSC3}	3	—	ms	22.7
Standby return oscillation settling time 3		t_{OSC4}	3	—	ms	22.8

Item	Symbol	Min	Max	Unit	Figure
Standby return oscillation settling time 1*	t_{OSC2}	2	—	ms	
Standby return oscillation settling time 2*	t_{OSC3}	2	—	ms	
Standby return oscillation settling time 3*	t_{OSC4}	2	—	ms	
IRL interrupt determination time (RTC used, standby mode)	t_{IRLSTB}	—	200	μ s	22.10
\overline{TRST} reset hold time	t_{TRSTRH}	0	—	ns	22.3, 22.5

Notes: 1. When a crystal resonator is connected to EXTAL and XTAL, the maximum frequency is 34 MHz. When a 3rd overtone crystal resonator is used, an external tank circuit is necessary.

2. The maximum load capacitance to be connected to CKIO pin should be 50 pF in PLL2 operation, because there is a feedback from CKIO pin.

* When the oscillation settling time of a crystal resonator is lower than or equal to 1 ms.

Table 22.27 Clock and Control Signal Timing (HD6417750RBP200)
 $V_{DDQ} = 3.0 \text{ to } 3.6 \text{ V}$, $V_{DD} = 1.5 \text{ V}$, $T_a = -20 \text{ to } +75^\circ\text{C}$, $C_L = 30 \text{ pF}$

Item		Symbol	Min	Max	Unit	Figure
EXTAL clock input frequency	PLL1 6-times/PLL2 operation	f_{EX}	16	34	MHz	
	PLL1 12-times/PLL2 operation	f_{EX}	14	17		
	PLL1/PLL2 not operating	f_{EX}	1	34		
EXTAL clock input cycle time		t_{EXcyc}	30	1000	ns	22.1
EXTAL clock input low-level pulse width		t_{EXL}	3.5	—	ns	22.1
EXTAL clock input high-level pulse width		t_{EXH}	3.5	—	ns	22.1
EXTAL clock input rise time		t_{EXr}	—	4	ns	22.1
EXTAL clock input fall time		t_{EXf}	—	4	ns	22.1
CKIO clock output	PLL1/PLL2 operating	f_{OP}	25	100	MHz	
	PLL1/PLL2 not operating	f_{OP}	1	100		
CKIO clock output cycle time		t_{cyc}	10	1000	ns	22.2(1)
CKIO clock output low-level pulse width		t_{CKOL1}	1	—	ns	22.2(1)
CKIO clock output high-level pulse width		t_{CKOH1}	1	—	ns	22.2(1)
CKIO clock output rise time		t_{CKOr}	—	3	ns	22.2(1)
CKIO clock output fall time		t_{CKOf}	—	3	ns	22.2(1)
CKIO clock output low-level pulse width		t_{CKOL2}	3	—	ns	22.2(2)
CKIO clock output high-level pulse width		t_{CKOH2}	3	—	ns	22.2(2)
Power-on oscillation settling time		t_{OSC1}	10	—	ms	22.3, 22.5
Power-on oscillation settling time/mode settling		t_{OSCMD}	10	—	ms	22.3, 22.5
SCK2 reset setup time		t_{SCK2RS}	20	—	ns	22.11
SCK2 reset hold time		t_{SCK2RH}	20	—	ns	22.3, 22.5, 22.11
MD reset setup time		t_{MDRS}	3	—	t_{cyc}	22.12
MD reset hold time		t_{MDRH}	20	—	ns	22.3, 22.5, 22.12
$\overline{\text{RESET}}$ assert time		t_{RESW}	20	—	t_{cyc}	22.3, 22.4, 22.5, 22.6, 22.11
PLL synchronization settling time		t_{PLL}	200	—	μs	22.9, 22.10
Standby return oscillation settling time 1		t_{OSC2}	5	—	ms	22.4, 22.6
Standby return oscillation settling time 2		t_{OSC3}	5	—	ms	22.7
Standby return oscillation settling time 3		t_{OSC4}	5	—	ms	22.8

Item	Symbol	Min	Max	Unit	Figure
Standby return oscillation settling time 1*	t_{OSC2}	2	—	ms	
Standby return oscillation settling time 2*	t_{OSC3}	2	—	ms	
Standby return oscillation settling time 3*	t_{OSC4}	2	—	ms	
IRL interrupt determination time (RTC used, standby mode)	t_{IRLSTB}	—	200	μ s	22.10
\overline{TRST} reset hold time	t_{TRSTRH}	0	—	ns	22.3, 22.5

Notes: 1. When a crystal resonator is connected to EXTAL and XTAL, the maximum frequency is 34 MHz. When a 3rd overtone crystal resonator is used, an external tank circuit is necessary.

2. The maximum load capacitance to be connected to CKIO pin should be 50 pF in PLL2 operation, because there is a feedback from CKIO pin.

* When the oscillation settling time of a crystal resonator is lower than or equal to 1 ms.

Table 22.28 Clock and Control Signal Timing (HD6417750RF200)
 $V_{DDQ} = 3.0 \text{ to } 3.6 \text{ V}$, $V_{DD} = 1.5 \text{ V}$, $T_a = -20 \text{ to } +75^\circ\text{C}$, $C_L = 30 \text{ pF}$

Item		Symbol	Min	Max	Unit	Figure
EXTAL clock input frequency	PLL1 6-times/PLL2 operation	f_{EX}	16	34	MHz	
	PLL1 12-times/PLL2 operation	f_{EX}	14	17		
	PLL1/PLL2 not operating	f_{EX}	1	34		
EXTAL clock input cycle time		t_{EXcyc}	30	1000	ns	22.1
EXTAL clock input low-level pulse width		t_{EXL}	3.5	—	ns	22.1
EXTAL clock input high-level pulse width		t_{EXH}	3.5	—	ns	22.1
EXTAL clock input rise time		t_{EXr}	—	4	ns	22.1
EXTAL clock input fall time		t_{EXf}	—	4	ns	22.1
CKIO clock output	PLL1/PLL2 operating	f_{OP}	25	84	MHz	
	PLL1/PLL2 not operating	f_{OP}	1	34		
CKIO clock output cycle time		t_{cyc}	11.9	1000	ns	22.2(1)
CKIO clock output low-level pulse width		t_{CKOL1}	1	—	ns	22.2(1)
CKIO clock output high-level pulse width		t_{CKOH1}	1	—	ns	22.2(1)
CKIO clock output rise time		t_{CKOr}	—	3	ns	22.2(1)
CKIO clock output fall time		t_{CKOf}	—	3	ns	22.2(1)
CKIO clock output low-level pulse width		t_{CKOL2}	3	—	ns	22.2(2)
CKIO clock output high-level pulse width		t_{CKOH2}	3	—	ns	22.2(2)
Power-on oscillation settling time		t_{OSC1}	10	—	ms	22.3, 22.5
Power-on oscillation settling time/mode settling		t_{OSCMD}	10	—	ms	22.3, 22.5
SCK2 reset setup time		t_{SCK2RS}	20	—	ns	22.11
SCK2 reset hold time		t_{SCK2RH}	20	—	ns	22.3, 22.5, 22.11
MD reset setup time		t_{MDRS}	3	—	t_{cyc}	22.12
MD reset hold time		t_{MDRH}	20	—	ns	22.3, 22.5, 22.12
$\overline{\text{RESET}}$ assert time		t_{RESW}	20	—	t_{cyc}	22.3, 22.4, 22.5, 22.6, 22.11
PLL synchronization settling time		t_{PLL}	200	—	μs	22.9, 22.10
Standby return oscillation settling time 1		t_{OSC2}	5	—	ms	22.4, 22.6
Standby return oscillation settling time 2		t_{OSC3}	5	—	ms	22.7
Standby return oscillation settling time 3		t_{OSC4}	5	—	ms	22.8

Item	Symbol	Min	Max	Unit	Figure
Standby return oscillation settling time 1*	t_{OSC2}	2	—	ms	
Standby return oscillation settling time 2*	t_{OSC3}	2	—	ms	
Standby return oscillation settling time 3*	t_{OSC4}	2	—	ms	
IRL interrupt determination time (RTC used, standby mode)	t_{IRLSTB}	—	200	μ s	22.10
\overline{TRST} reset hold time	t_{TRSTRH}	0	—	ns	22.3, 22.5

Notes: 1. When a crystal resonator is connected to EXTAL and XTAL, the maximum frequency is 34 MHz. When a 3rd overtone crystal resonator is used, an external tank circuit is necessary.

2. The maximum load capacitance to be connected to CKIO pin should be 50 pF in PLL2 operation, because there is a feedback from CKIO pin.

* When the oscillation settling time of a crystal resonator is lower than or equal to 1 ms.

Table 22.29 Clock and Control Signal Timing (HD6417750BP200M, HD6417750SBP200)
 $V_{DDQ} = 3.0 \text{ to } 3.6 \text{ V}$, $V_{DD} = 1.5 \text{ V}$, $T_a = -20 \text{ to } +75^\circ\text{C}$, $C_L = 30 \text{ pF}$

Item			Symbol	Min	Max	Unit	Figure
EXTAL clock input frequency	PLL2 operating	1/2 divider operating	f_{EX}	16	67	MHz	
		1/2 divider not operating	f_{EX}	8	34		
	PLL2 not operating	1/2 divider operating	f_{EX}	2	67		
		1/2 divider not operating	f_{EX}	1	34		
EXTAL clock input cycle time			t_{EXcyc}	15	1000	ns	22.1
EXTAL clock input low-level pulse width			t_{EXL}	3.5	—	ns	22.1
EXTAL clock input high-level pulse width			t_{EXH}	3.5	—	ns	22.1
EXTAL clock input rise time			t_{EXr}	—	4	ns	22.1
EXTAL clock input fall time			t_{EXf}	—	4	ns	22.1
CKIO clock output	PLL2 operating		f_{OP}	25	100	MHz	
	PLL2 not operating		f_{OP}	1	100	MHz	
CKIO clock output cycle time			t_{cyc}	10	1000	ns	22.2(1)
CKIO clock output low-level pulse width			t_{CKOL1}	1	—	ns	22.2(1)
CKIO clock output high-level pulse width			t_{CKOH1}	1	—	ns	22.2(1)
CKIO clock output rise time			t_{CKOr}	—	3	ns	22.2(1)
CKIO clock output fall time			t_{CKOf}	—	3	ns	22.2(1)
CKIO clock output low-level pulse width			t_{CKOL2}	3	—	ns	22.2(2)
CKIO clock output high-level pulse width			t_{CKOH2}	3	—	ns	22.2(2)
Power-on oscillation settling time			t_{OSC1}	10	—	ms	22.3, 22.5
Power-on oscillation settling time/mode settling			t_{OSCMD}	10	—	ms	22.3, 22.5
SCK2 reset setup time			t_{SCK2RS}	20	—	ns	22.11
SCK2 reset hold time			t_{SCK2RH}	20	—	ns	22.3, 22.5, 22.11
MD reset setup time			t_{MDRS}	3	—	t_{cyc}	22.12
MD reset hold time			t_{MDRH}	20	—	ns	22.3, 22.5, 22.12
RESET assert time			t_{RESW}	20	—	t_{cyc}	22.3, 22.4, 22.5, 22.6, 22.11
PLL synchronization settling time			t_{PLL}	200	—	μs	22.9, 22.10

Item	Symbol	Min	Max	Unit	Figure
Standby return oscillation settling time 1	t_{OSC2}	10	—	ms	22.4, 22.6
Standby return oscillation settling time 2	t_{OSC3}	5	—	ms	22.7
Standby return oscillation settling time 3	t_{OSC4}	5	—	ms	22.8
Standby return oscillation settling time 1*	t_{OSC2}	2	—	ms	
Standby return oscillation settling time 2*	t_{OSC3}	2	—	ms	
Standby return oscillation settling time 3*	t_{OSC4}	2	—	ms	
IRL interrupt determination time (RTC used, standby mode)	t_{IRLSTB}	—	200	μ s	22.10
\overline{TRST} reset hold time	t_{TRSTRH}	0	—	ns	22.3, 22.5

- Notes:
1. When a crystal resonator is connected to EXTAL and XTAL, the maximum frequency is 34 MHz. When a 3rd overtone crystal resonator is used, an external tank circuit is necessary.
 2. The maximum load capacitance to be connected to CKIO pin should be 50 pF in PLL2 operation, because there is a feedback from CKIO pin.
- * When the oscillation settling time of a crystal resonator is lower than or equal to 1 ms.

Table 22.30 Clock and Control Signal Timing (HD6417750SF200)
 $V_{DDQ} = 3.0 \text{ to } 3.6 \text{ V}$, $V_{DD} = 1.8 \text{ V}$, $T_a = -20 \text{ to } +75^\circ\text{C}$, $C_L = 30 \text{ pF}$

Item			Symbol	Min	Max	Unit	Figure
EXTAL clock input frequency	PLL2 operating	1/2 divider operating	f_{EX}	16	67	MHz	
		1/2 divider not operating	f_{EX}	8	34		
	PLL2 not operating	1/2 divider operating	f_{EX}	2	67		
		1/2 divider not operating	f_{EX}	1	34		
EXTAL clock input cycle time			t_{EXcyc}	15	1000	ns	22.1
EXTAL clock input low-level pulse width			t_{EXL}	3.5	—	ns	22.1
EXTAL clock input high-level pulse width			t_{EXH}	3.5	—	ns	22.1
EXTAL clock input rise time			t_{EXr}	—	4	ns	22.1
EXTAL clock input fall time			t_{EXf}	—	4	ns	22.1
CKIO clock output	PLL2 operating		f_{OP}	25	67	MHz	
	PLL2 not operating		f_{OP}	1	67	MHz	
CKIO clock output cycle time			t_{cyc}	10	1000	ns	22.2(1)
CKIO clock output low-level pulse width			t_{CKOL1}	1	—	ns	22.2(1)
CKIO clock output high-level pulse width			t_{CKOH1}	1	—	ns	22.2(1)
CKIO clock output rise time			t_{CKOr}	—	3	ns	22.2(1)
CKIO clock output fall time			t_{CKOf}	—	3	ns	22.2(1)
CKIO clock output low-level pulse width			t_{CKOL2}	3	—	ns	22.2(2)
CKIO clock output high-level pulse width			t_{CKOH2}	3	—	ns	22.2(2)
Power-on oscillation settling time			t_{OSC1}	10	—	ms	22.3, 22.5
Power-on oscillation settling time/mode settling			t_{OSCMD}	10	—	ms	22.3, 22.5
SCK2 reset setup time			t_{SCK2RS}	20	—	ns	22.11
SCK2 reset hold time			t_{SCK2RH}	20	—	ns	22.3, 22.5, 22.11
MD reset setup time			t_{MDRS}	3	—	t_{cyc}	22.12
MD reset hold time			t_{MDRH}	20	—	ns	22.3, 22.5, 22.12
RESET assert time			t_{RESW}	20	—	t_{cyc}	22.3, 22.4, 22.5, 22.6, 22.11
PLL synchronization settling time			t_{PLL}	200	—	μs	22.9, 22.10

Item	Symbol	Min	Max	Unit	Figure
Standby return oscillation settling time 1	t_{OSC2}	10	—	ms	22.4, 22.6
Standby return oscillation settling time 2	t_{OSC3}	5	—	ms	22.7
Standby return oscillation settling time 3	t_{OSC4}	5	—	ms	22.8
Standby return oscillation settling time 1*	t_{OSC2}	2	—	ms	
Standby return oscillation settling time 2*	t_{OSC3}	2	—	ms	
Standby return oscillation settling time 3*	t_{OSC4}	2	—	ms	
IRL interrupt determination time (RTC used, standby mode)	t_{IRLSTB}	—	200	μ s	22.10
\overline{TRST} reset hold time	t_{TRSTRH}	0	—	ns	22.3, 22.5

- Notes:
1. When a crystal resonator is connected to EXTAL and XTAL, the maximum frequency is 34 MHz. When a 3rd overtone crystal resonator is used, an external tank circuit is necessary.
 2. The maximum load capacitance to be connected to CKIO pin should be 50 pF in PLL2 operation, because there is a feedback from CKIO pin.
- * When the oscillation settling time of a crystal resonator is lower than or equal to 1 ms.

Table 22.31 Clock and Control Signal Timing (HD6417750F167, HD6417750F167I, HD6417750SF167, HD6417750SF167I)

HD6417750SF167, HD6417750F167: $V_{DDQ} = 3.0$ to 3.6 V, $V_{DD} = 1.8$ V, $T_a = -20$ to $+75^\circ\text{C}$,
 $C_L = 30$ pF
 HD6417750SF167I, HD6417750F167I: $V_{DDQ} = 3.0$ to 3.6 V, $V_{DD} = 1.8$ V, $T_a = -40$ to $+85^\circ\text{C}$,
 $C_L = 30$ pF

Item		Symbol	Min	Max	Unit	Figure
EXTAL clock input frequency	PLL2 operating	1/2 divider operating	f_{EX}	16	56	MHz
		1/2 divider not operating	f_{EX}	8	28	
	PLL2 not operating	1/2 divider operating	f_{EX}	2	56	
		1/2 divider not operating	f_{EX}	1	28	
EXTAL clock input cycle time		t_{EXcyc}	18	1000	ns	22.1
EXTAL clock input low-level pulse width		t_{EXL}	3.5	—	ns	22.1
EXTAL clock input high-level pulse width		t_{EXH}	3.5	—	ns	22.1
EXTAL clock input rise time		t_{EXr}	—	4	ns	22.1
EXTAL clock input fall time		t_{EXf}	—	4	ns	22.1
CKIO clock output	PLL2 operating	f_{OP}	25	84	MHz	
	PLL2 not operating	f_{OP}	1	84	MHz	
CKIO clock output cycle time		t_{cyc}	12	1000	ns	22.2(1)
CKIO clock output low-level pulse width		t_{CKOL1}	1	—	ns	22.2(1)
CKIO clock output high-level pulse width		t_{CKOH1}	1	—	ns	22.2(1)
CKIO clock output rise time		t_{CKOr}	—	3	ns	22.2(1)
CKIO clock output fall time		t_{CKOf}	—	3	ns	22.2(1)
CKIO clock output low-level pulse width		t_{CKOL2}	3	—	ns	22.2(2)
CKIO clock output high-level pulse width		t_{CKOH2}	3	—	ns	22.2(2)
Power-on oscillation settling time		t_{OSC1}	10	—	ms	22.3, 22.5
Power-on oscillation settling time/mode settling		t_{OSCMD}	10	—	ms	22.3, 22.5
SCK2 reset setup time		t_{SCK2RS}	20	—	ns	22.11
SCK2 reset hold time		t_{SCK2RH}	20	—	ns	22.3, 22.5, 22.11
MD reset setup time		t_{MDRS}	3	—	t_{cyc}	22.12
MD reset hold time		t_{MDRH}	20	—	ns	22.3, 22.5, 22.12

Item	Symbol	Min	Max	Unit	Figure
$\overline{\text{RESET}}$ assert time	t_{RESW}	20	—	t_{cyc}	22.3, 22.4, 22.5, 22.6, 22.11
PLL synchronization settling time	t_{PLL}	200	—	μs	22.9, 22.10
Standby return oscillation settling time 1	t_{OSC2}	10	—	ms	22.4, 22.6
Standby return oscillation settling time 2	t_{OSC3}	5	—	ms	22.7
Standby return oscillation settling time 3	t_{OSC4}	5	—	ms	22.8
Standby return oscillation settling time 1*	t_{OSC2}	2	—	ms	
Standby return oscillation settling time 2*	t_{OSC3}	2	—	ms	
Standby return oscillation settling time 3*	t_{OSC4}	2	—	ms	
IRL interrupt determination time (RTC used, standby mode)	t_{IRLSTB}	—	200	μs	22.10
$\overline{\text{TRST}}$ reset hold time	t_{TRSTRH}	0	—	ns	22.3, 22.5

- Notes: 1. When a crystal resonator is connected to EXTAL and XTAL, the maximum frequency is 28 MHz. When a 3rd overtone crystal resonator is used, an external tank circuit is necessary.
2. The maximum load capacitance to be connected to CKIO pin should be 50 pF in PLL2 operation, because there is a feedback from CKIO pin.
- * When the oscillation settling time of a crystal resonator is lower than or equal to 1 ms.

Table 22.32 Clock and Control Signal Timing (HD6417750SVF133, HD6417750SVBT133)HD6417750SVBT133: $V_{DDQ} = 3.0$ to 3.6 V, $V_{DD} = 1.5$ V typ, $T_a = -30$ to $+70^\circ\text{C}$, $C_L = 30$ pFHD6417750SVF133: $V_{DDQ} = 3.0$ to 3.6 V, $V_{DD} = 1.5$ V, $T_a = -20$ to $+75^\circ\text{C}$, $C_L = 30$ pF

Item		Symbol	Min	Max	Unit	Figure
EXTAL clock input frequency	PLL2 operating	1/2 divider operating	f_{EX}	16	45	MHz
		1/2 divider not operating	f_{EX}	8	23	
	PLL2 not operating	1/2 divider operating	f_{EX}	2	45	
		1/2 divider not operating	f_{EX}	1	23	
EXTAL clock input cycle time		t_{EXcyc}	22	1000	ns	22.1
EXTAL clock input low-level pulse width		t_{EXL}	3.5	—	ns	22.1
EXTAL clock input high-level pulse width		t_{EXH}	3.5	—	ns	22.1
EXTAL clock input rise time		t_{EXr}	—	4	ns	22.1
EXTAL clock input fall time		t_{EXf}	—	4	ns	22.1
CKIO clock output	PLL2 operating	f_{OP}	25	67	MHz	
	PLL2 not operating	f_{OP}	1	67	MHz	
CKIO clock output cycle time		t_{cyc}	14	1000	ns	22.2(1)
CKIO clock output low-level pulse width		t_{CKOL1}	1	—	ns	22.2(1)
CKIO clock output high-level pulse width		t_{CKOH1}	1	—	ns	22.2(1)
CKIO clock output rise time		t_{CKOr}	—	3	ns	22.2(1)
CKIO clock output fall time		t_{CKOf}	—	3	ns	22.2(1)
CKIO clock output low-level pulse width		t_{CKOL2}	3	—	ns	22.2(2)
CKIO clock output high-level pulse width		t_{CKOH2}	3	—	ns	22.2(2)
Power-on oscillation settling time		t_{OSC1}	10	—	ms	22.3, 22.5
Power-on oscillation settling time/mode settling		t_{OSCMD}	10	—	ms	22.3, 22.5
SCK2 reset setup time		t_{SCK2RS}	20	—	ns	22.11
SCK2 reset hold time		t_{SCK2RH}	20	—	ns	22.3, 22.5, 22.11
MD reset setup time		t_{MDRS}	3	—	t_{cyc}	22.12
MD reset hold time		t_{MDRH}	20	—	ns	22.3, 22.5, 22.12
RESET assert time		t_{RESW}	20	—	t_{cyc}	22.3, 22.4, 22.5, 22.6, 22.11
PLL synchronization settling time		t_{PLL}	200	—	μs	22.9, 22.10

Item	Symbol	Min	Max	Unit	Figure
Standby return oscillation settling time 1	t_{OSC2}	10	—	ms	22.4, 22.6
Standby return oscillation settling time 2	t_{OSC3}	5	—	ms	22.7
Standby return oscillation settling time 3	t_{OSC4}	5	—	ms	22.8
Standby return oscillation settling time 1*	t_{OSC2}	2	—	ms	
Standby return oscillation settling time 2*	t_{OSC3}	2	—	ms	
Standby return oscillation settling time 3*	t_{OSC4}	2	—	ms	
IRL interrupt determination time (RTC used, standby mode)	t_{IRLSTB}	—	200	μ s	22.10
\overline{TRST} reset hold time	t_{TRSTRH}	0	—	ns	22.3, 22.5

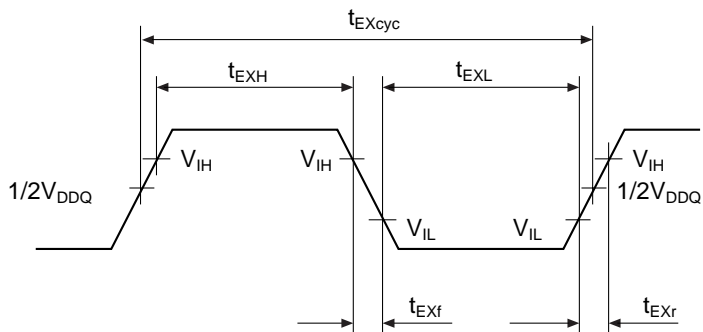
- Notes:
1. When a crystal resonator is connected to EXTAL and XTAL, the maximum frequency is 23 MHz. When a 3rd overtone crystal resonator is used, an external tank circuit is necessary.
 2. The maximum load capacitance to be connected to CKIO pin should be 50 pF in PLL2 operation, because there is a feedback from CKIO pin.
- * When the oscillation settling time of a crystal resonator is lower than or equal to 1 ms.

Table 22.33 Clock and Control Signal Timing (HD6417750VF128)
 $V_{DDQ} = 3.0 \text{ to } 3.6 \text{ V}$, $V_{DD} = 1.5 \text{ V}$, $T_a = -20 \text{ to } +75^\circ\text{C}$, $C_L = 30 \text{ pF}$

Item			Symbol	Min	Max	Unit	Figure
EXTAL clock input frequency	PLL2 operating	1/2 divider operating	f_{EX}	16	43	MHz	
		1/2 divider not operating	f_{EX}	8	22		
	PLL2 not operating	1/2 divider operating	f_{EX}	2	43		
		1/2 divider not operating	f_{EX}	1	22		
EXTAL clock input cycle time			t_{EXcyc}	23	1000	ns	22.1
EXTAL clock input low-level pulse width			t_{EXL}	3.5	—	ns	22.1
EXTAL clock input high-level pulse width			t_{EXH}	3.5	—	ns	22.1
EXTAL clock input rise time			t_{EXr}	—	4	ns	22.1
EXTAL clock input fall time			t_{EXf}	—	4	ns	22.1
CKIO clock output	PLL2 operating		f_{OP}	25	64	MHz	
	PLL2 not operating		f_{OP}	1	64	MHz	
CKIO clock output cycle time			t_{cyc}	15	1000	ns	22.2(1)
CKIO clock output low-level pulse width			t_{CKOL1}	1	—	ns	22.2(1)
CKIO clock output high-level pulse width			t_{CKOH1}	1	—	ns	22.2(1)
CKIO clock output rise time			t_{CKOr}	—	3	ns	22.2(1)
CKIO clock output fall time			t_{CKOf}	—	3	ns	22.2(1)
CKIO clock output low-level pulse width			t_{CKOL2}	3	—	ns	22.2(2)
CKIO clock output high-level pulse width			t_{CKOH2}	3	—	ns	22.2(2)
Power-on oscillation settling time			t_{OSC1}	10	—	ms	22.3, 22.5
Power-on oscillation settling time/mode settling			t_{OSCMD}	10	—	ms	22.3, 22.5
SCK2 reset setup time			t_{SCK2RS}	20	—	ns	22.11
SCK2 reset hold time			t_{SCK2RH}	20	—	ns	22.3, 22.5, 22.11
MD reset setup time			t_{MDRS}	3	—	t_{cyc}	22.12
MD reset hold time			t_{MDRH}	20	—	ns	22.3, 22.5, 22.12
RESET assert time			t_{RESW}	20	—	t_{cyc}	22.3, 22.4, 22.5, 22.6, 22.11
PLL synchronization settling time			t_{PLL}	200	—	μs	22.9, 22.10

Item	Symbol	Min	Max	Unit	Figure
Standby return oscillation settling time 1	t_{OSC2}	10	—	ms	22.4, 22.6
Standby return oscillation settling time 2	t_{OSC3}	5	—	ms	22.7
Standby return oscillation settling time 3	t_{OSC4}	5	—	ms	22.8
Standby return oscillation settling time 1*	t_{OSC2}	2	—	ms	
Standby return oscillation settling time 2*	t_{OSC3}	2	—	ms	
Standby return oscillation settling time 3*	t_{OSC4}	2	—	ms	
IRL interrupt determination time (RTC used, standby mode)	t_{IRLSTB}	—	200	μ s	22.10
\overline{TRST} reset hold time	t_{TRSTRH}	0	—	ns	22.3, 22.5

- Notes:
1. When a crystal resonator is connected to EXTAL and XTAL, the maximum frequency is 22 MHz. When a 3rd overtone crystal resonator is used, an external tank circuit is necessary.
 2. The maximum load capacitance to be connected to CKIO pin should be 50 pF in PLL2 operation, because there is a feedback from CKIO pin.
- * When the oscillation settling time of a crystal resonator is lower than or equal to 1 ms.



Note: When the clock is input from the EXTAL pin

Figure 22.1 EXTAL Clock Input Timing

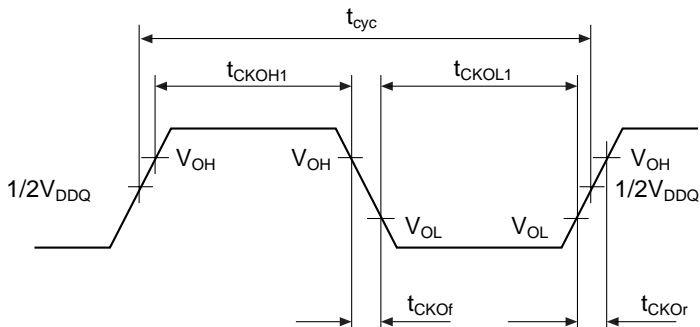


Figure 22.2(1) CKIO Clock Output Timing

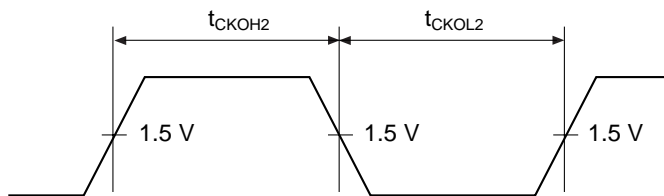
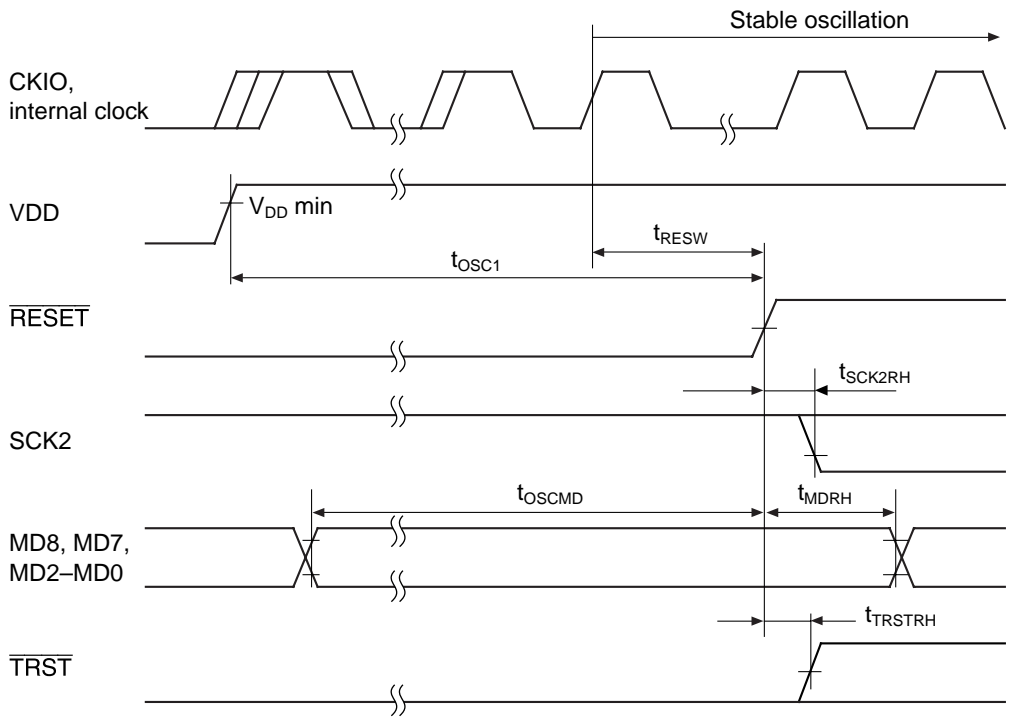
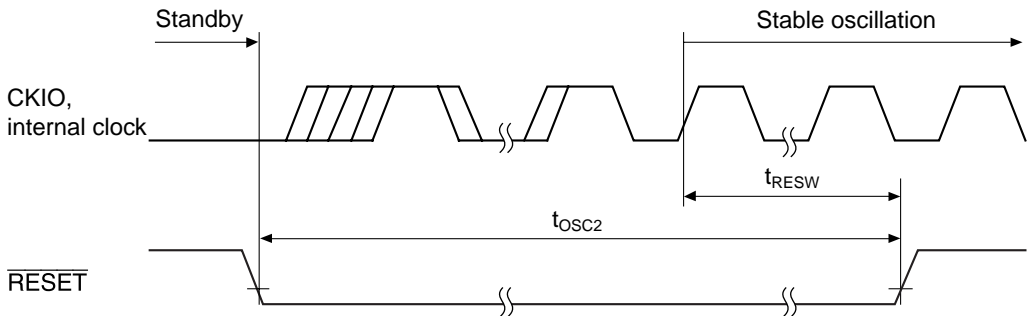


Figure 22.2(2) CKIO Clock Output Timing



- Notes: 1. Oscillation settling time when on-chip resonator is used
 2. PLL2 not operating

Figure 22.3 Power-On Oscillation Settling Time



- Notes: 1. Oscillation settling time when on-chip resonator is used
 2. PLL2 not operating

Figure 22.4 Standby Return Oscillation Settling Time (Return by $\overline{\text{RESET}}$)

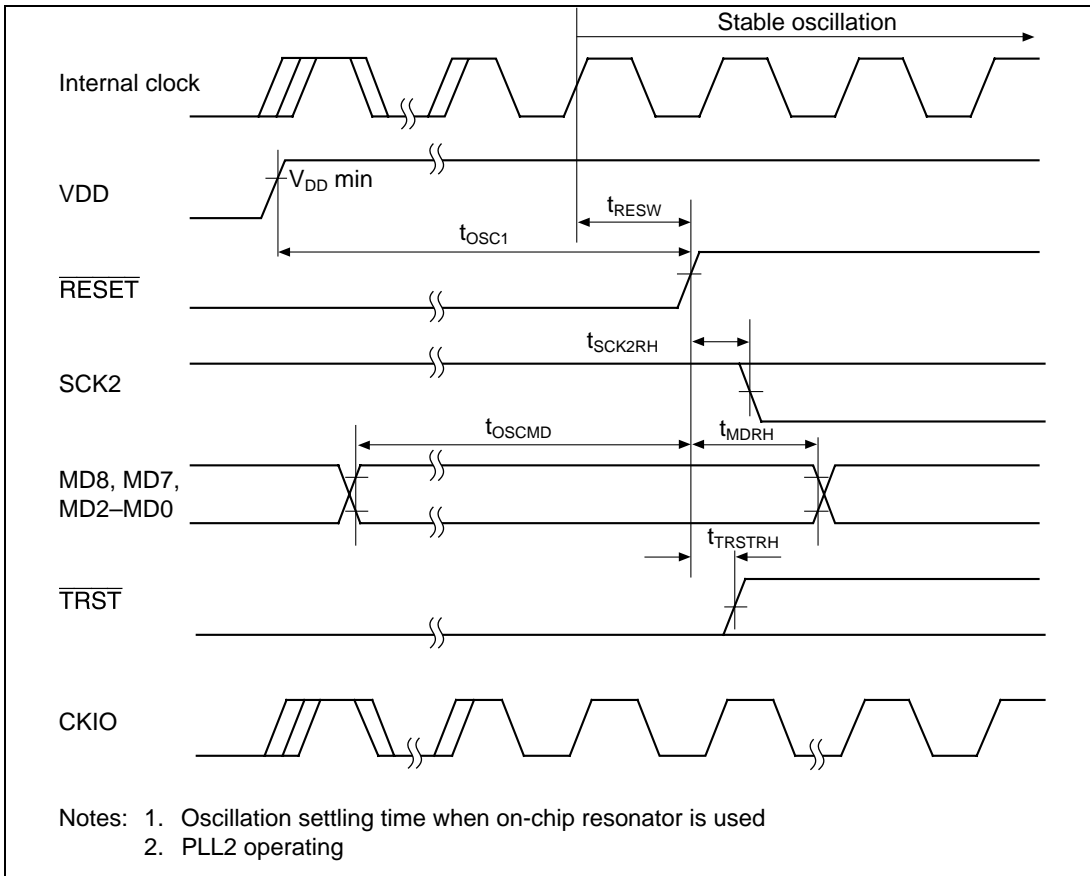


Figure 22.5 Power-On Oscillation Settling Time

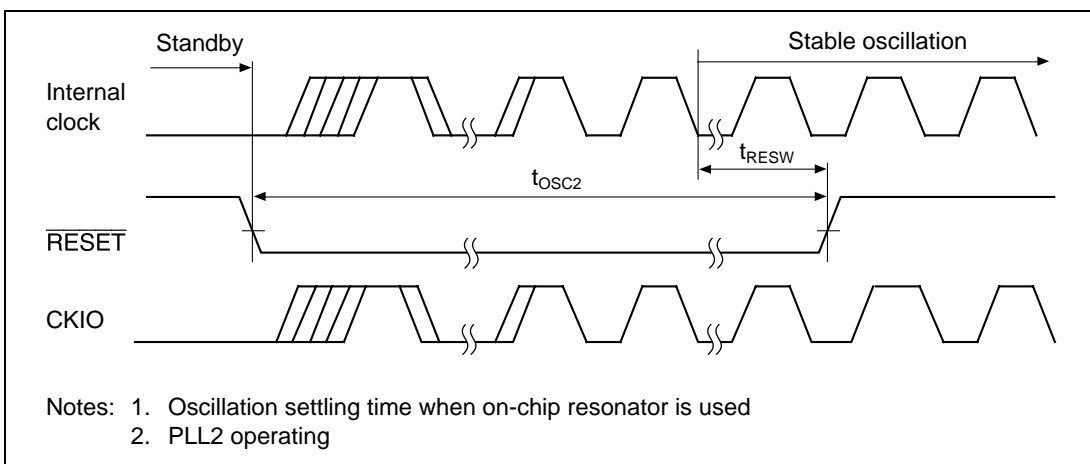


Figure 22.6 Standby Return Oscillation Settling Time (Return by RESET)

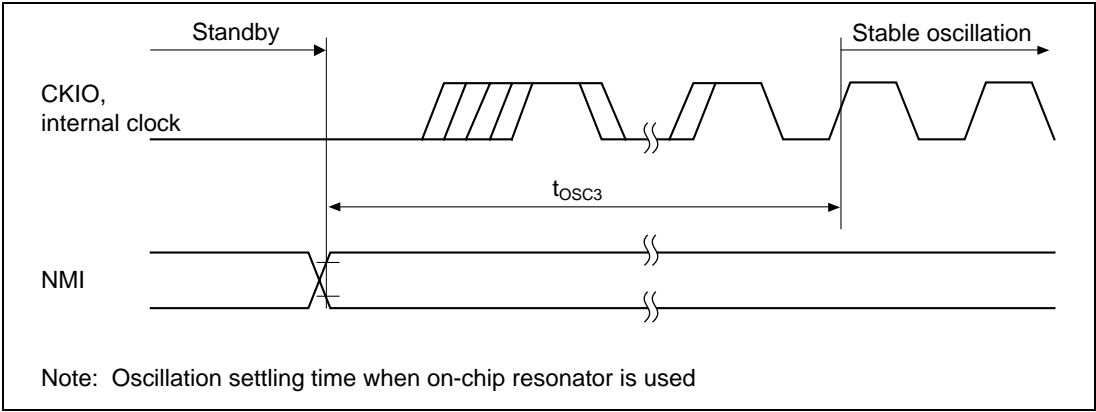


Figure 22.7 Standby Return Oscillation Settling Time (Return by NMI)

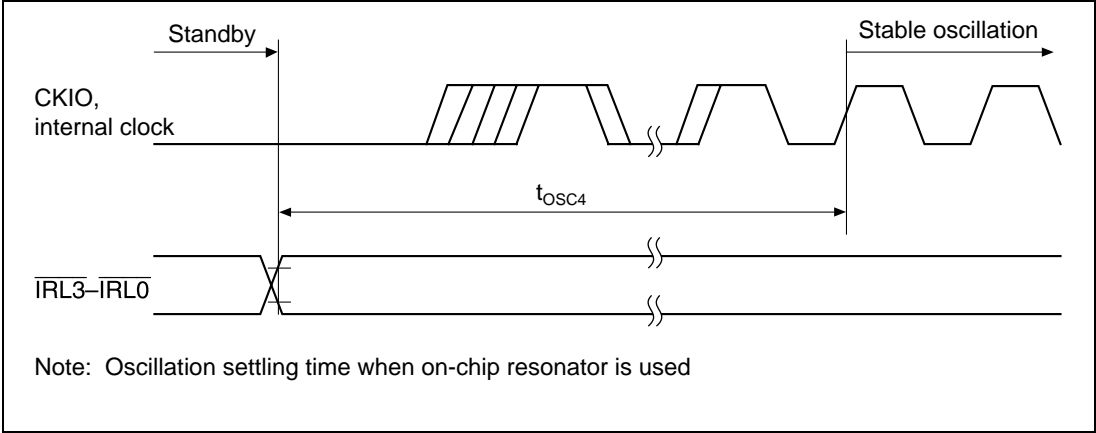


Figure 22.8 Standby Return Oscillation Settling Time (Return by $\overline{IRL3-IRL0}$)

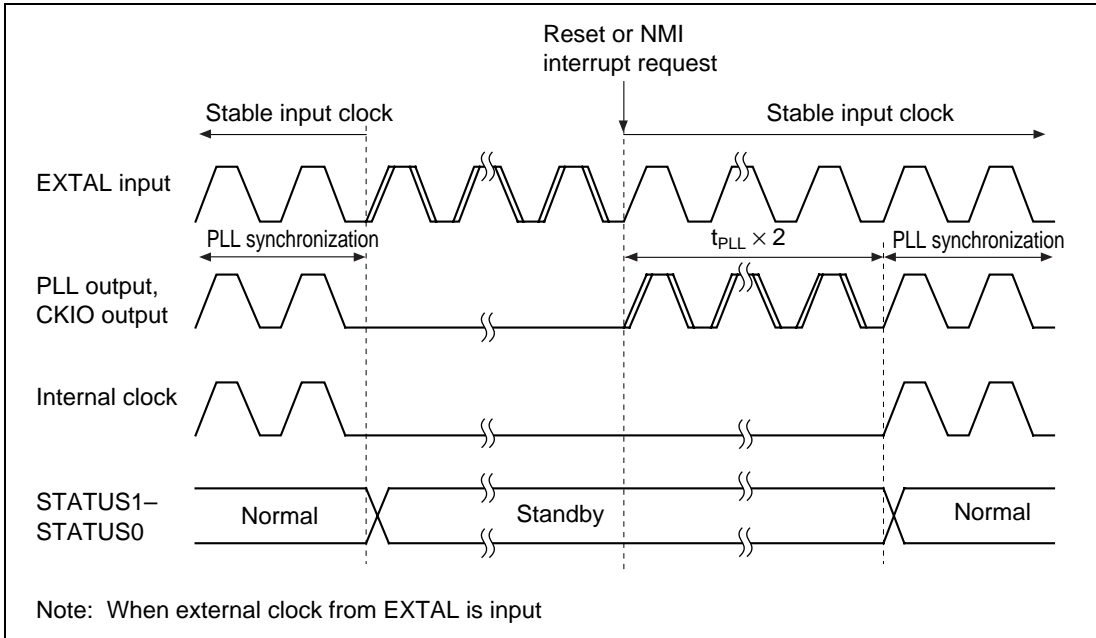


Figure 22.9 PLL Synchronization Settling Time in Case of $\overline{\text{RESET}}$ or NMI Interrupt

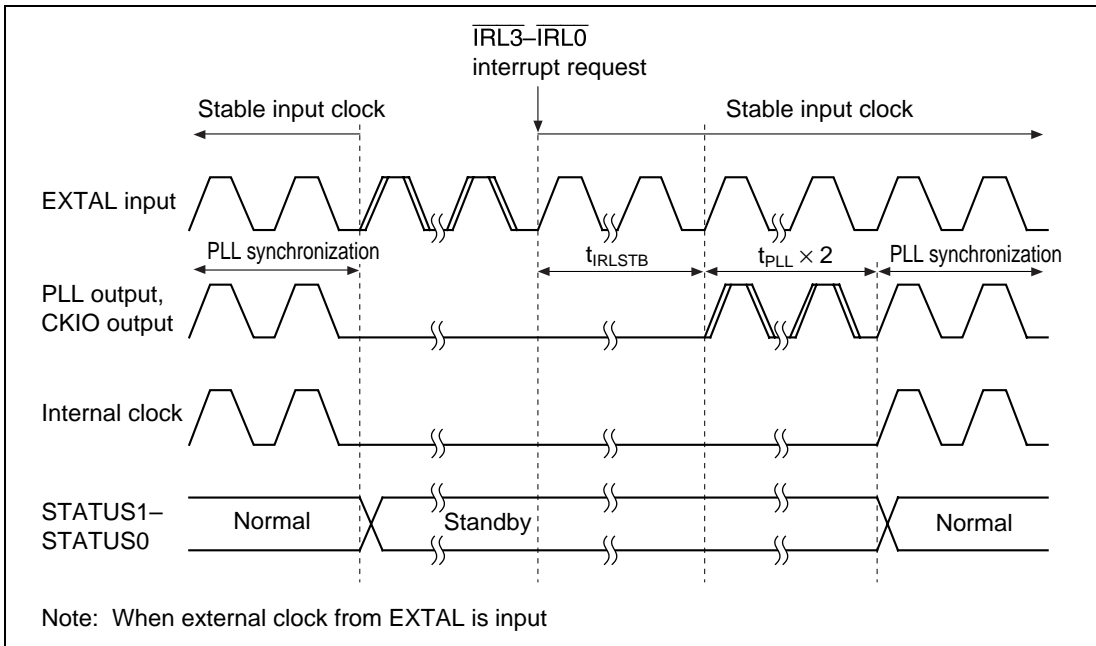


Figure 22.10 PLL Synchronization Settling Time in Case of IRL Interrupt

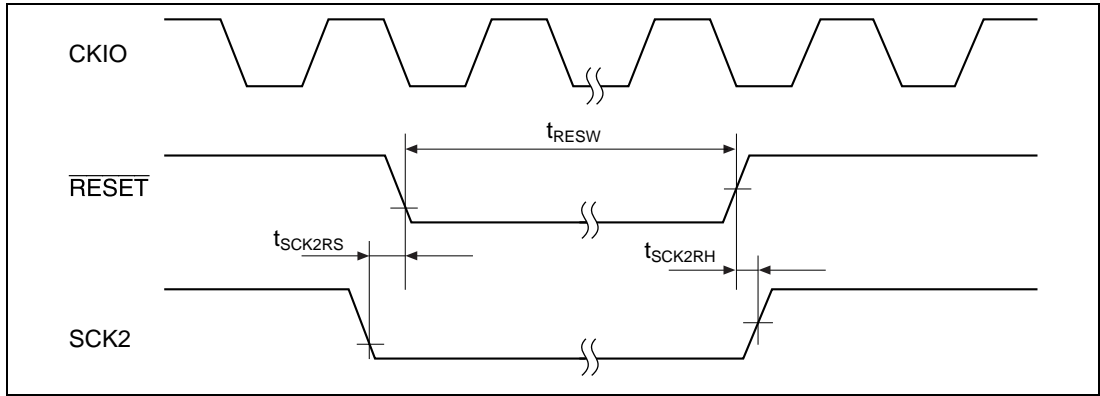


Figure 22.11 Manual Reset Input Timing

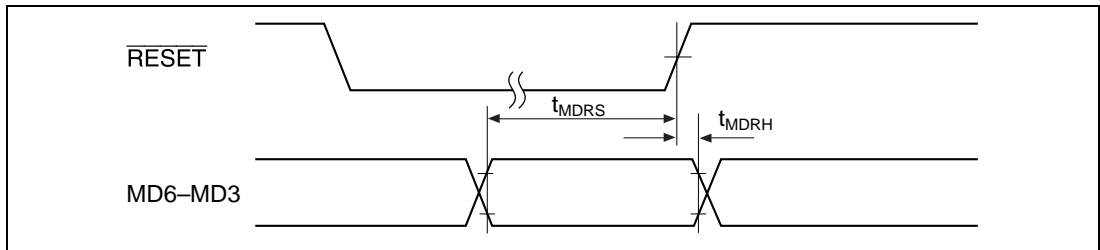


Figure 22.12 Mode Input Timing

22.3.2 Control Signal Timing

Table 22.34 Control Signal Timing (1)

Item	Symbol	HD6417750 RBP240		HD6417750 RBP200		HD6417750 RF240		HD6417750 RF200		Unit	Figure	Notes
		*		*		*		*				
		Min	Max	Min	Max	Min	Max	Min	Max			
BREQ setup time	t_{BREQS}	2	—	2.5	—	3.5	—	3.5	—	ns	22.13	
BREQ hold time	t_{BREQH}	1.5	—	1.5	—	1.5	—	1.5	—	ns	22.13	
BACK delay time	t_{BACKD}	—	5.3	—	6	—	6	—	6	ns	22.13	
Bus tri-state delay time	t_{BOFF1}	—	12	—	12	—	12	—	12	ns	22.13	
Bus tri-state delay time to standby mode	t_{BOFF2}	—	2	—	2	—	2	—	2	t_{cyc}	22.14	
Bus buffer on time	t_{BON1}	—	12	—	12	—	12	—	12	ns	22.13	
Bus buffer on time from standby	t_{BON2}	—	1	—	1	—	1	—	1	t_{cyc}	22.14	
STATUS0/1 delay time	t_{STD1}	—	5	—	6	—	6	—	6	ns	22.14	
STATUS0/1 delay time to standby	t_{STD2}	—	2	—	2	—	2	—	2	t_{cyc}	22.14	

Note: * $V_{\text{DDQ}} = 3.0$ to 3.6 V, $V_{\text{DD}} = \text{typ. } 1.5$ V, $T_a = -20$ to $+75^\circ\text{C}$, $C_L = 30$ pF, PLL2 on

Table 22.34 Control Signal Timing (2)

Item	Symbol	HD6417750 VF128		HD6417750 SVF133		HD6417750 SF167I		HD6417750 SF167I		HD6417750 BP200M		Unit	Figure	Notes
		Min	Max	Min	Max	Min	Max	Min	Max	Min	Max			
BREQ setup time	t_{BREQS}	3.5	—	3.5	—	3.5	—	3	—	ns	22.13			
BREQ hold time	t_{BREQH}	1.5	—	1.5	—	1.5	—	1.5	—	ns	22.13			
BACK delay time	t_{BACKD}	—	10	—	10	—	8	—	6	ns	22.13			
Bus tri-state delay time	t_{BOFF1}	—	15	—	15	—	12	—	10	ns	22.13			
Bus tri-state delay time to standby mode	t_{BOFF2}	—	2	—	2	—	2	—	2	t_{cyc}	22.14			
Bus buffer on time	t_{BON1}	—	15	—	15	—	12	—	10	ns	22.13			
Bus buffer on time from standby	t_{BON2}	—	1	—	1	—	1	—	1	t_{cyc}	22.14			
STATUS0/1 delay time	t_{STD1}	—	11	—	11	—	9	—	7	ns	22.14			
STATUS0/1 delay time to standby	t_{STD2}	—	2	—	2	—	2	—	2	t_{cyc}	22.14			

Notes: *1 $V_{DDQ} = 3.0$ to 3.6 V, $V_{DD} = \text{typ. } 1.5$ V, $T_a = -20$ to $+75^\circ\text{C}$, $C_L = 30$ pF, PLL2 on

*2 $V_{DDQ} = 3.0$ to 3.6 V, $V_{DD} = \text{typ. } 1.8$ V, $T_a = -20$ to $+75^\circ\text{C}$, $C_L = 30$ pF, PLL2 on (HD6417750F167, HD6417750SF167, HD6417750SF200)

$V_{DDQ} = 3.0$ to 3.6 V, $V_{DD} = \text{typ. } 1.8$ V, $T_a = -40$ to $+85^\circ\text{C}$, $C_L = 30$ pF, PLL2 on (HD6417750F167I, HD6417750SF167I)

*3 $V_{DDQ} = 3.0$ to 3.6 V, $V_{DD} = \text{typ. } 1.8$ V, $T_a = -20$ to $+75^\circ\text{C}$, $C_L = 30$ pF, PLL2 on

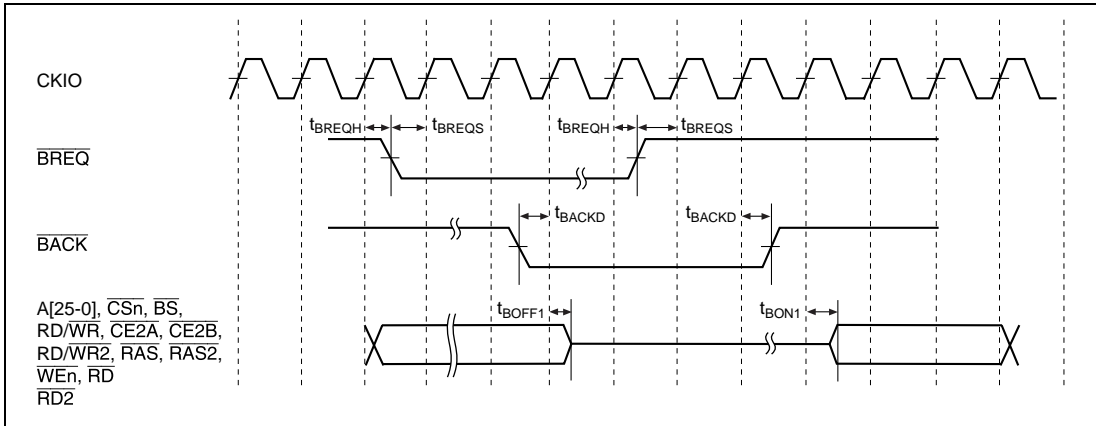


Figure 22.13 Control Signal Timing

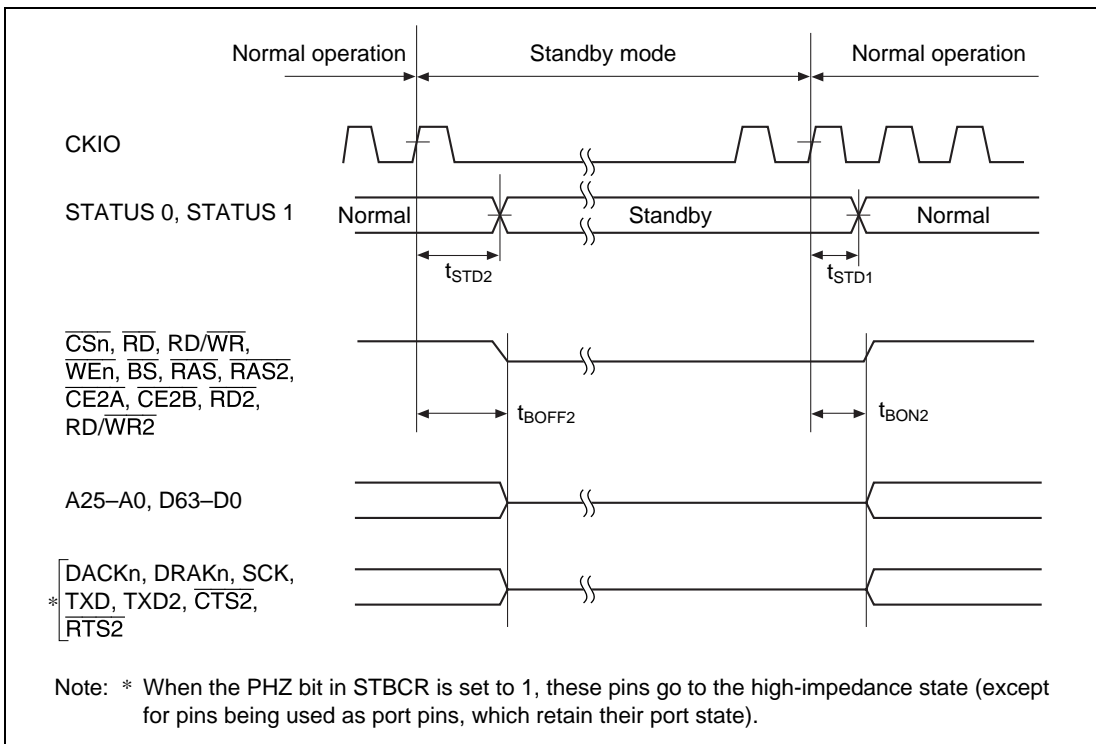


Figure 22.14 Pin Drive Timing for Standby Mode

22.3.3 Bus Timing

Table 22.35 Bus Timing (1)

Item	Symbol	HD6417750 RBP240		HD6417750 RBP200		HD6417750 RF240		HD6417750 RF200		Unit	Notes
		*		*		*		*			
		Min	Max	Min	Max	Min	Max	Min	Max		
Address delay time	t_{AD}	1.5	5.3	1.5	6	1.5	6	1.5	6	ns	
\overline{BS} delay time	t_{BSD}	1.5	5.3	1.5	6	1.5	6	1.5	6	ns	
\overline{CS} delay time	t_{CSD}	1.5	5.3	1.5	6	1.5	6	1.5	6	ns	
\overline{RW} delay time	t_{RWD}	1.5	5.3	1.5	6	1.5	6	1.5	6	ns	
\overline{RD} delay time	t_{RSD}	1.5	5.3	1.5	6	1.5	6	1.5	6	ns	
Read data setup time	t_{RDS}	2	—	2.5	—	3.5	—	3.5	—	ns	
Read data hold time	t_{RDH}	1.5	—	1.5	—	1.5	—	1.5	—	ns	
\overline{WE} delay time (falling edge)	t_{WEDF}	—	5.3	—	6	—	6	—	6	ns	Relative to CKIO falling edge
\overline{WE} delay time	t_{WED1}	1.5	5.3	1.5	6	1.5	6	1.5	6	ns	
Write data delay time	t_{WDD}	1.5	5.3	1.5	6	1.5	6	1.5	6	ns	
\overline{RDY} setup time	t_{RDYS}	2	—	2.5	—	3.5	—	3.5	—	ns	
\overline{RDY} hold time	t_{RDYH}	1.5	—	1.5	—	1.5	—	1.5	—	ns	
\overline{RAS} delay time	t_{RASD}	1.5	5.3	1.5	6	1.5	6	1.5	6	ns	
\overline{CAS} delay time 1	t_{CASD1}	1.5	5.3	1.5	6	1.5	6	1.5	6	ns	DRAM
\overline{CAS} delay time 2	t_{CASD2}	1.5	5.3	1.5	6	1.5	6	1.5	6	ns	SDRAM
CKE delay time	t_{CKED}	1.5	5.3	1.5	6	1.5	6	1.5	6	ns	SDRAM
DQM delay time	t_{DOMD}	1.5	5.3	1.5	6	1.5	6	1.5	6	ns	SDRAM
\overline{FRAME} delay time	t_{FMD}	1.5	5.3	1.5	6	1.5	6	1.5	6	ns	MPX
$\overline{IOIS16}$ setup time	t_{IO16S}	2	—	2.5	—	3.5	—	3.5	—	ns	PCMCIA
$\overline{IOIS16}$ hold time	t_{IO16H}	1.5	—	1.5	—	1.5	—	1.5	—	ns	PCMCIA
\overline{ICIORW} delay time (falling edge)	t_{ICWSDF}	1.5	5.3	1.5	6	1.5	6	1.5	6	ns	PCMCIA
\overline{ICIORD} delay time	t_{ICRSD}	1.5	5.3	1.5	6	1.5	6	1.5	6	ns	PCMCIA
DACK delay time	t_{DACD}	1.5	5.3	1.5	6	1.5	6	1.5	6	ns	
DACK delay time (falling edge)	t_{DACDF}	1.5	5.3	1.5	6	1.5	6	1.5	6	ns	Relative to CKIO falling edge

Item	Symbol	HD6417750 RBP240		HD6417750 RBP200		HD6417750 RF240		HD6417750 RF200		Unit	Notes
		Min	Max	Min	Max	Min	Max	Min	Max		
DTR setup time	t_{DTRS}	2.0	—	2.5	—	3.5	—	3.5	—	ns	
DTR hold time	t_{DTRH}	1.5	—	1.5	—	1.5	—	1.5	—	ns	
\overline{DBREQ} setup time	t_{DBQS}	2.0	—	2.5	—	3.5	—	3.5	—	ns	
\overline{DBREQ} hold time	t_{DBQH}	1.5	—	1.5	—	1.5	—	1.5	—	ns	
\overline{TR} setup time	t_{TRS}	2.0	—	2.5	—	3.5	—	3.5	—	ns	
\overline{TR} hold time	t_{TRH}	1.5	—	1.5	—	1.5	—	1.5	—	ns	
\overline{BAVL} delay time	t_{BAVD}	1.5	5.3	1.5	6	1.5	6	1.5	6	ns	
\overline{TDACK} delay time	t_{TDAD}	1.5	5.3	1.5	6	1.5	6	1.5	6	ns	
ID1, ID0 delay time	t_{IDD}	1.5	5.3	1.5	6	1.5	6	1.5	6	ns	

Note: * $V_{DDQ} = 3.0$ to 3.6 V, $V_{DD} = \text{typ. } 1.5$ V, $T_a = -20$ to $+75^\circ\text{C}$, $C_L = 30$ pF, PLL2 on

Table 22.35 Bus Timing (2)

		HD6417750 SF167		HD6417750 SF167I		HD6417750 SBP200			
		HD6417750 SVF133		HD6417750 SF200		HD6417750 SBP200			
		*1		*2		*3			
Item	Symbol	Min	Max	Min	Max	Min	Max	Unit	Notes
Address delay time	t_{AD}	1.5	10	1.5	8	1.5	6	ns	
\overline{BS} delay time	t_{BSD}	1.5	10	1.5	8	1.5	6	ns	
\overline{CS} delay time	t_{CSD}	1.5	10	1.5	8	1.5	6	ns	
\overline{RW} delay time	t_{RWD}	1.5	10	1.5	8	1.5	6	ns	
\overline{RD} delay time	t_{RSD}	1.5	10	1.5	8	1.5	6	ns	
Read data setup time	t_{RDS}	3.5	—	3.5	—	3	—	ns	
Read data hold time	t_{RDH}	1.5	—	1.5	—	1.5	—	ns	
\overline{WE} delay time (falling edge)	t_{WEDF}	—	10	—	8	—	6	ns	Relative to CKIO falling edge
\overline{WE} delay time	t_{WED1}	1.5	10	1.5	8	1.5	6	ns	
Write data delay time	t_{WDD}	1.5	10	1.5	8	1.5	6	ns	
\overline{RDY} setup time	t_{RDYS}	3.5	—	3.5	—	3	—	ns	
\overline{RDY} hold time	t_{RDYH}	1.5	—	1.5	—	1.5	—	ns	
\overline{RAS} delay time	t_{RASD}	1.5	10	1.5	8	1.5	6	ns	
\overline{CAS} delay time 1	t_{CASD1}	1.5	10	1.5	8	1.5	6	ns	DRAM
\overline{CAS} delay time 2	t_{CASD2}	1.5	10	1.5	8	1.5	6	ns	SDRAM
CKE delay time	t_{CKED}	1.5	10	1.5	8	1.5	6	ns	SDRAM
DQM delay time	t_{DOMD}	1.5	10	1.5	8	1.5	6	ns	SDRAM
\overline{FRAME} delay time	t_{FMD}	1.5	10	1.5	8	1.5	6	ns	MPX
$\overline{IOIS16}$ setup time	t_{IO16S}	3.5	—	3.5	—	3	—	ns	PCMCIA
$\overline{IOIS16}$ hold time	t_{IO16H}	1.5	—	1.5	—	1.5	—	ns	PCMCIA
\overline{ICIOR} delay time (falling edge)	t_{ICWSDF}	1.5	10	1.5	8	1.5	6	ns	PCMCIA
\overline{ICIOR} delay time	t_{ICRSD}	1.5	10	1.5	8	1.5	6	ns	PCMCIA
DACK delay time	t_{DACD}	1.5	10	1.5	8	1.5	6	ns	
DACK delay time (falling edge)	t_{DACDF}	1.5	10	1.5	8	1.5	6	ns	Relative to CKIO falling edge

HD6417750
SF167

HD6417750
SVF133

HD6417750
SF167I

HD6417750
SVBT133

HD6417750
SF200

HD6417750
SBP200

*1

*2

*3

Item	Symbol	*1		*2		*3		Unit	Notes
		Min	Max	Min	Max	Min	Max		
DTR setup time	t_{DTRS}	3.5	—	3.5	—	3	—	ns	
DTR hold time	t_{DTRH}	1.5	—	1.5	—	1.5	—	ns	
\overline{DBREQ} setup time	t_{DBQS}	3.5	—	3.5	—	3	—	ns	
\overline{DBREQ} hold time	t_{DBQH}	1.5	—	1.5	—	1.5	—	ns	
\overline{TR} setup time	t_{TRS}	3.5	—	3.5	—	3	—	ns	
\overline{TR} hold time	t_{TRH}	1.5	—	1.5	—	1.5	—	ns	
\overline{BAVL} delay time	t_{BAVD}	1.5	10	1.5	8	1.5	6	ns	
\overline{TDACK} delay time	t_{TDAD}	1.5	10	1.5	8	1.5	6	ns	
ID1, ID0 delay time	t_{IDD}	1.5	10	1.5	8	1.5	6	ns	

Notes: *1 $V_{DDQ} = 3.0$ to 3.6 V, $V_{DD} = \text{typ. } 1.5$ V, $T_a = -20$ to $+75^\circ\text{C}$, $C_L = 30$ pF, PLL2 on

*2 $V_{DDQ} = 3.0$ to 3.6 V, $V_{DD} = \text{typ. } 1.8$ V, $T_a = -20$ to $+75^\circ\text{C}$, $C_L = 30$ pF, PLL2 on
(HD6417750SF167, HD6417750SF200)

$V_{DDQ} = 3.0$ to 3.6 V, $V_{DD} = \text{typ. } 1.8$ V, $T_a = -40$ to $+85^\circ\text{C}$, $C_L = 30$ pF, PLL2 on
(HD6417750SF167I)

*3 $V_{DDQ} = 3.0$ to 3.6 V, $V_{DD} = \text{typ. } 1.8$ V, $T_a = -20$ to $+75^\circ\text{C}$, $C_L = 30$ pF, PLL2 on

Table 22.35 Bus Timing (3)

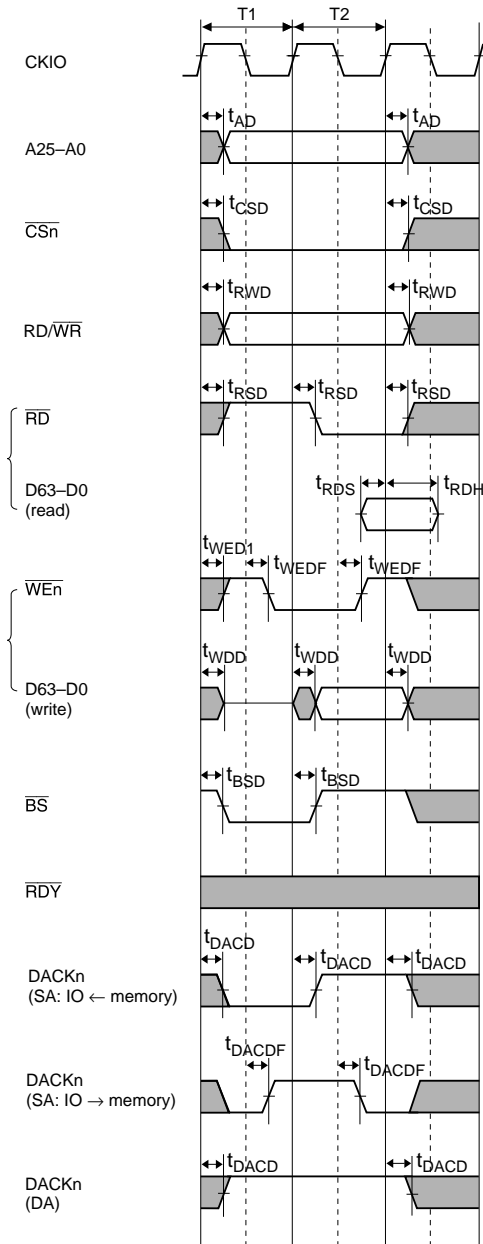
		HD6417750							
		F167							
		HD6417750		HD6417750		HD6417750			
		VF128		F167I		BP200M			
		*1		*2		*3			
Item	Symbol	Min	Max	Min	Max	Min	Max	Unit	Notes
Address delay time	t_{AD}	1.3	10	1.3	8	1.2	6	ns	
\overline{BS} delay time	t_{BSD}	1.3	10	1.3	8	1.2	6	ns	
\overline{CS} delay time	t_{CSD}	1.3	10	1.3	8	1.2	6	ns	
\overline{RW} delay time	t_{RWD}	1.3	10	1.3	8	1.2	6	ns	
\overline{RD} delay time	t_{RSD}	1.3	10	1.3	8	1.2	6	ns	
Read data setup time	t_{RDS}	3.5	—	3.5	—	3	—	ns	
Read data hold time	t_{RDH}	1.5	—	1.5	—	1.5	—	ns	
\overline{WE} delay time (falling edge)	t_{WEDF}	—	10	—	8	—	6	ns	Relative to CKIO falling edge
\overline{WE} delay time	t_{WED1}	1.3	10	1.3	8	1.2	6	ns	
Write data delay time	t_{WDD}	1.3	10	1.3	8	1.2	6	ns	
\overline{RDY} setup time	t_{RDYS}	3.5	—	3.5	—	3	—	ns	
\overline{RDY} hold time	t_{RDYH}	1.5	—	1.5	—	1.5	—	ns	
\overline{RAS} delay time	t_{RASD}	1.3	10	1.3	8	1.2	6	ns	
\overline{CAS} delay time 1	t_{CASD1}	1.3	10	1.3	8	1.2	6	ns	DRAM
\overline{CAS} delay time 2	t_{CASD2}	1.3	10	1.3	8	1.2	6	ns	SDRAM
CKE delay time	t_{CKED}	0.5	10	0.5	8	0.5	6	ns	SDRAM
DQM delay time	t_{DOMD}	1.3	10	1.3	8	1.2	6	ns	SDRAM
\overline{FRAME} delay time	t_{FMD}	1.3	10	1.3	8	1.2	6	ns	MPX
IOIS16 setup time	t_{IO16S}	3.5	—	3.5	—	3	—	ns	PCMCIA
IOIS16 hold time	t_{IO16H}	1.5	—	1.5	—	1.5	—	ns	PCMCIA
ICIORW delay time (falling edge)	t_{ICWSDF}	1.3	10	1.3	8	1.2	6	ns	PCMCIA
ICIOR \overline{D} delay time	t_{ICRSD}	1.3	10	1.3	8	1.2	6	ns	PCMCIA
DACK delay time	t_{DACD}	1.3	10	1.3	8	1.2	6	ns	
DACK delay time (falling edge)	t_{DACDF}	1.3	10	1.3	8	1.2	6	ns	Relative to CKIO falling edge

HD6417750
F167

HD6417750 VF128	HD6417750 F167I	HD6417750 BP200M
*1	*2	*3

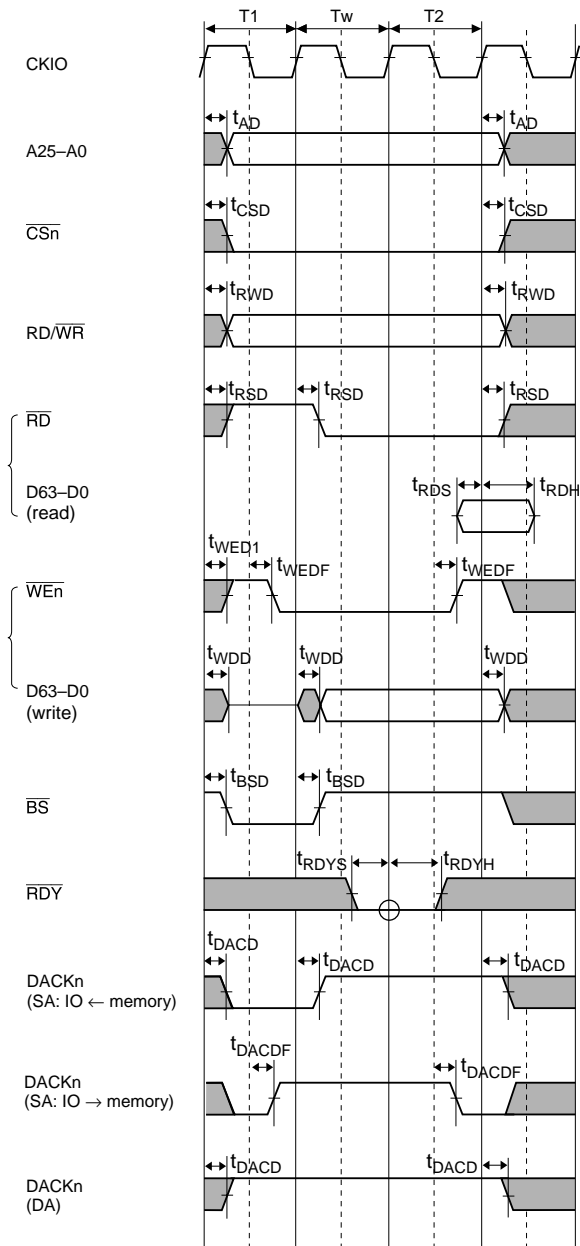
Item	Symbol	Min	Max	Min	Max	Min	Max	Unit	Notes
DTR setup time	t_{DTRS}	3.5	—	3.5	—	3	—	ns	
DTR hold time	t_{DTRH}	1.5	—	1.5	—	1.5	—	ns	
DBREQ setup time	t_{DBQS}	3.5	—	3.5	—	3	—	ns	
DBREQ hold time	t_{DBQH}	1.5	—	1.5	—	1.5	—	ns	
TR setup time	t_{TRS}	3.5	—	3.5	—	3	—	ns	
TR hold time	t_{TRH}	1.5	—	1.5	—	1.5	—	ns	
BAVL delay time	t_{BAVD}	1.3	10	1.3	8	1.2	6	ns	
TDACK delay time	t_{TDAD}	1.3	10	1.3	8	1.2	6	ns	
ID1, ID0 delay time	t_{IDD}	1.3	10	1.3	8	1.2	6	ns	

- Notes: *1 $V_{DDQ} = 3.0$ to 3.6 V, $V_{DD} = \text{typ. } 1.5$ V, $T_a = -20$ to $+75^\circ\text{C}$, $C_L = 30$ pF, PLL2 on
- *2 $V_{DDQ} = 3.0$ to 3.6 V, $V_{DD} = \text{typ. } 1.8$ V, $T_a = -20$ to $+75^\circ\text{C}$, $C_L = 30$ pF, PLL2 on (HD6417750F167)
- $V_{DDQ} = 3.0$ to 3.6 V, $V_{DD} = \text{typ. } 1.8$ V, $T_a = -40$ to $+85^\circ\text{C}$, $C_L = 30$ pF, PLL2 on (HD6417750F167I)
- *3 $V_{DDQ} = 3.0$ to 3.6 V, $V_{DD} = \text{typ. } 1.8$ V, $T_a = -20$ to $+75^\circ\text{C}$, $C_L = 30$ pF, PLL2 on



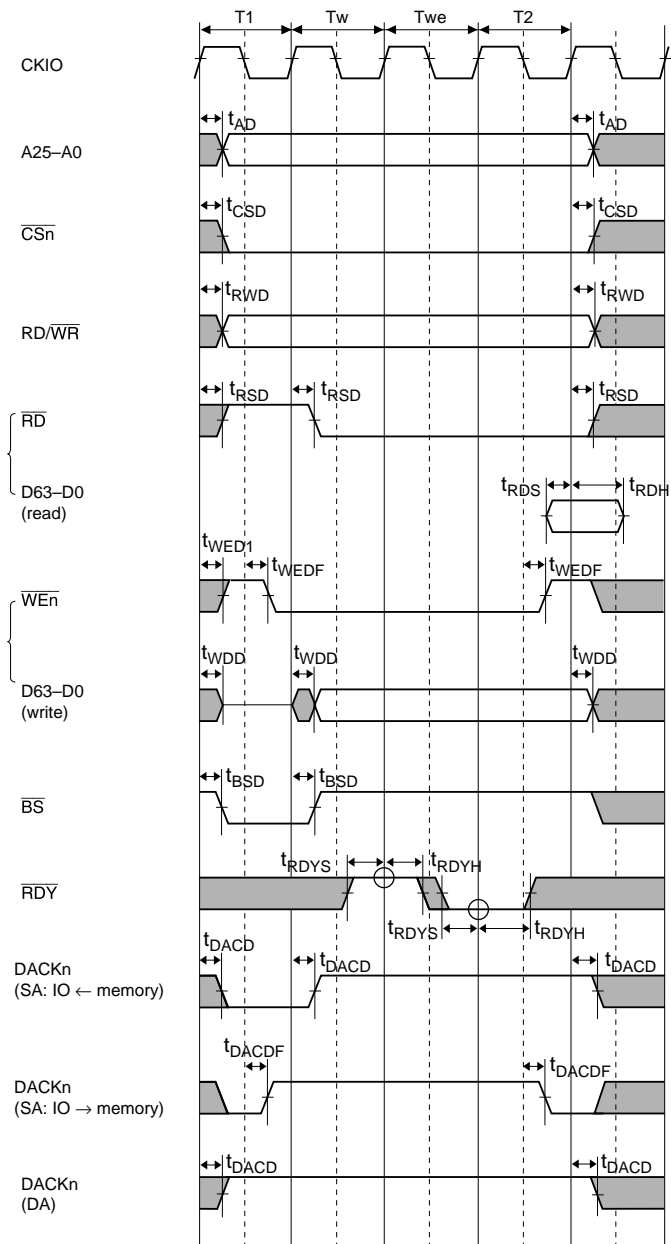
Notes: IO: DACK device
 SA: Single address DMA transfer
 DA: Dual address DMA transfer
 DACK set to active-high

Figure 22.15 SRAM Bus Cycle: Basic Bus Cycle (No Wait)



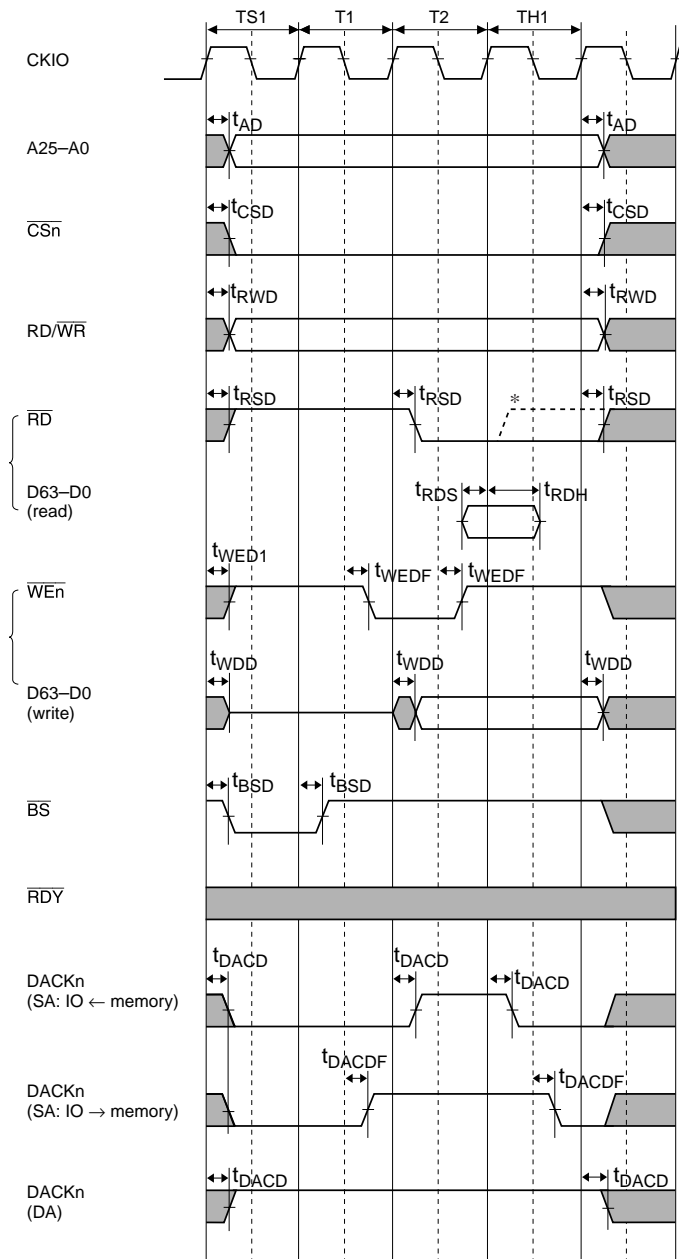
Notes: IO: DACK device
 SA: Single address DMA transfer
 DA: Dual address DMA transfer
 DACK set to active-high

Figure 22.16 SRAM Bus Cycle: Basic Bus Cycle (One Internal Wait)



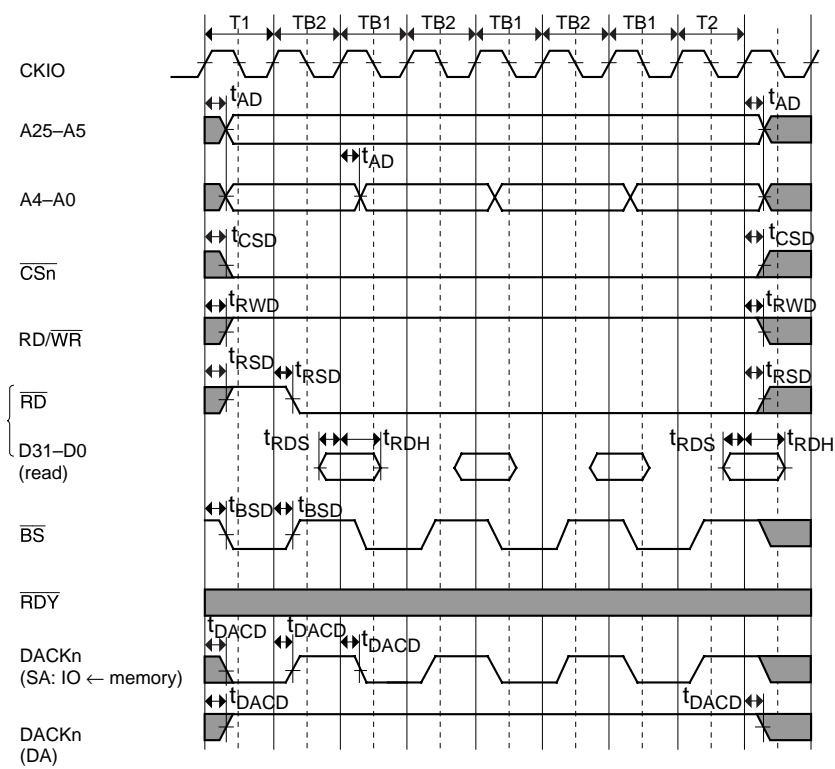
Notes: IO: DACK device
 SA: Single address DMA transfer
 DA: Dual address DMA transfer
 DACK set to active-high

Figure 22.17 SRAM Bus Cycle: Basic Bus Cycle (One Internal Wait + One External Wait)



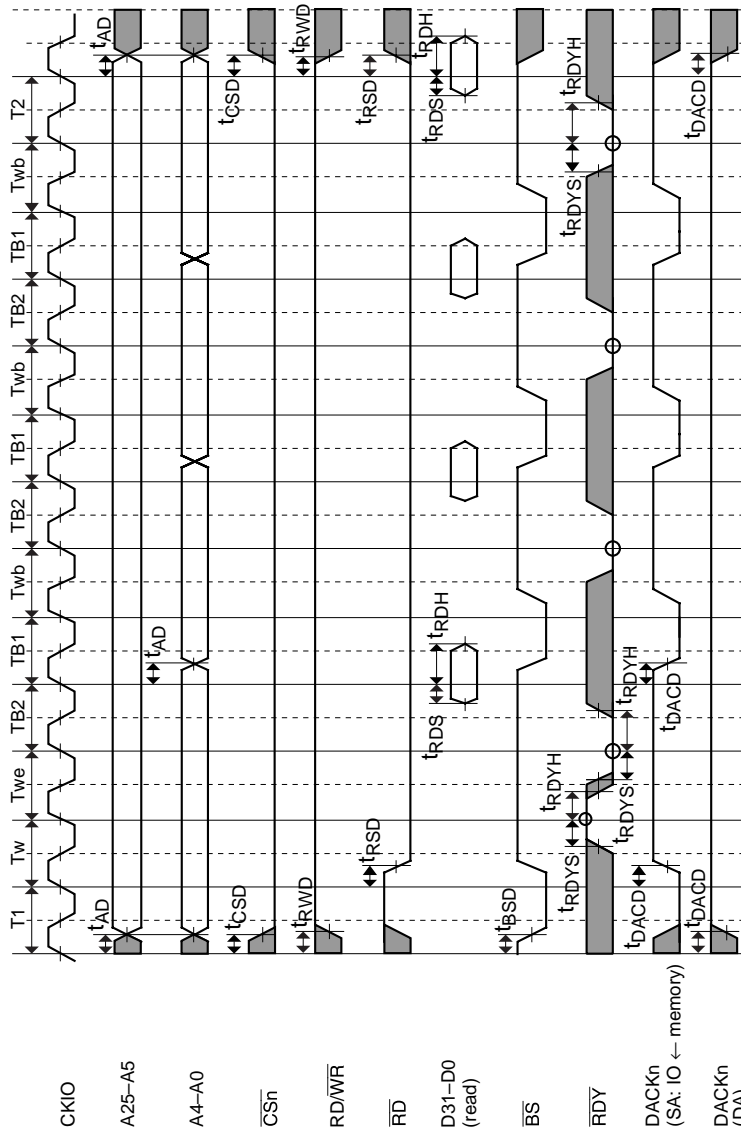
Notes: IO: DACK device
 SA: Single address DMA transfer
 DA: Dual address DMA transfer
 DACK set to active-high
 * SH7750R only

Figure 22.18 SRAM Bus Cycle: Basic Bus Cycle (No Wait, Address Setup/Hold Time Insertion, AnS = 1, AnH = 1)



Notes: IO: DACK device
 SA: Single address DMA transfer
 DA: Dual address DMA transfer
 DACK set to active-high

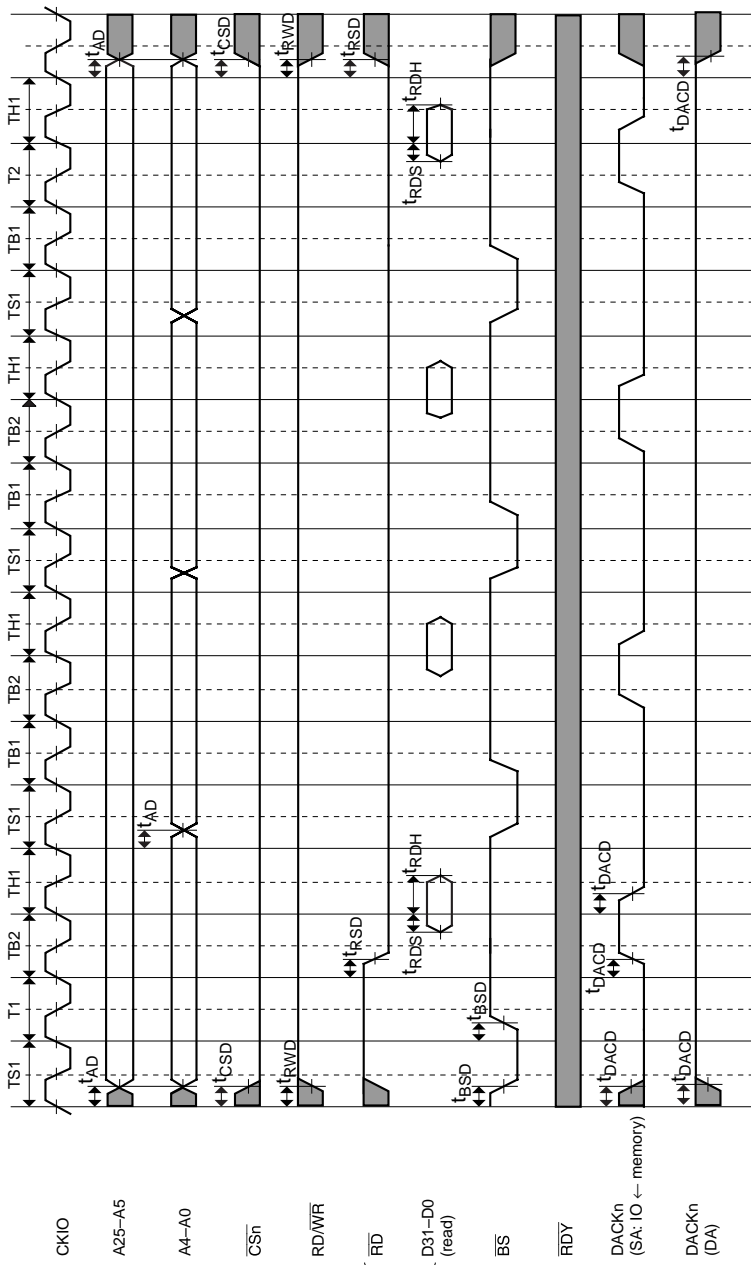
Figure 22.19 Burst ROM Bus Cycle (No Wait)



Notes: IO: DACK device
 SA: Single address DMA transfer
 DA: Dual address DMA transfer
 DACK set to active-high

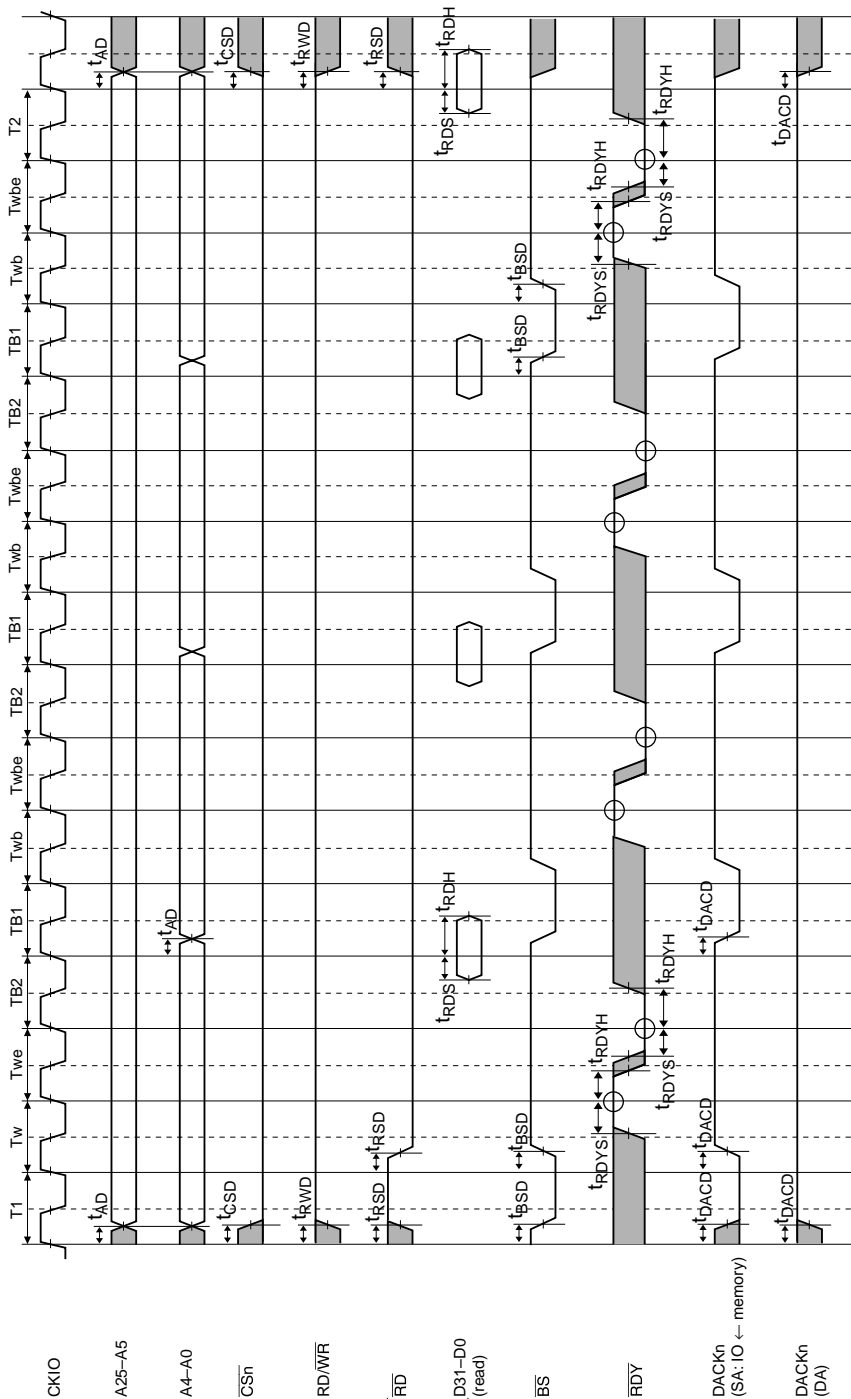
Figure 22.20 Burst ROM Bus Cycle

(1st Data: One Internal Wait + One External Wait; 2nd/3rd/4th Data: One Internal Wait)



Notes:
 IO: DACK device
 SA: Single address DMA transfer
 DA: Dual address DMA transfer
 DACK set to active-high

Figure 22.21 Burst ROM Bus Cycle
 (No Wait, Address Setup/Hold Time Insertion, AnS = 1, AnH = 1)



Notes:
 IO: DACK device
 SA: Single address DMA transfer
 DA: Dual address DMA transfer
 DACK set to active-high

Figure 22.22 Burst ROM Bus Cycle (One Internal Wait + One External Wait)

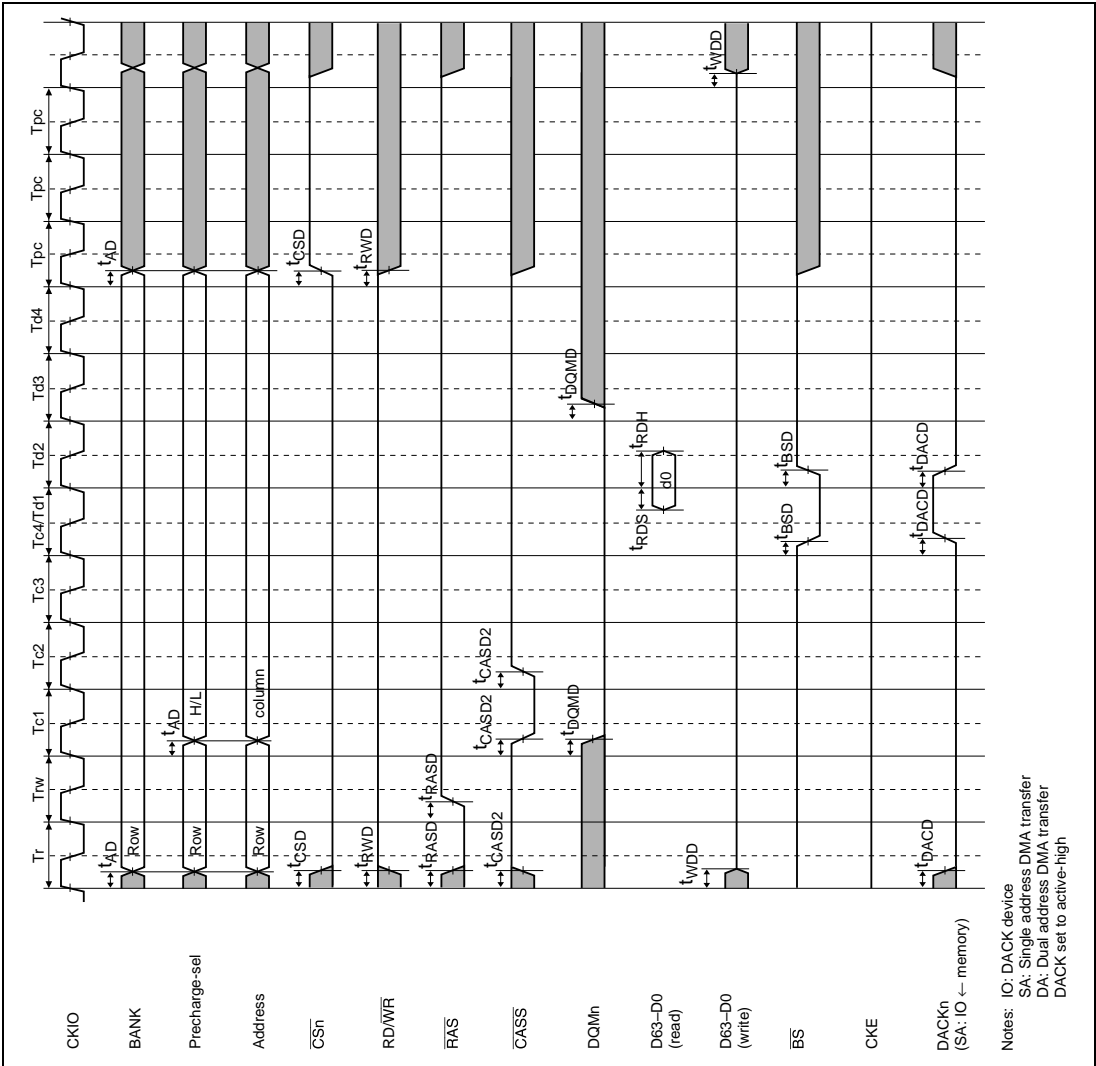
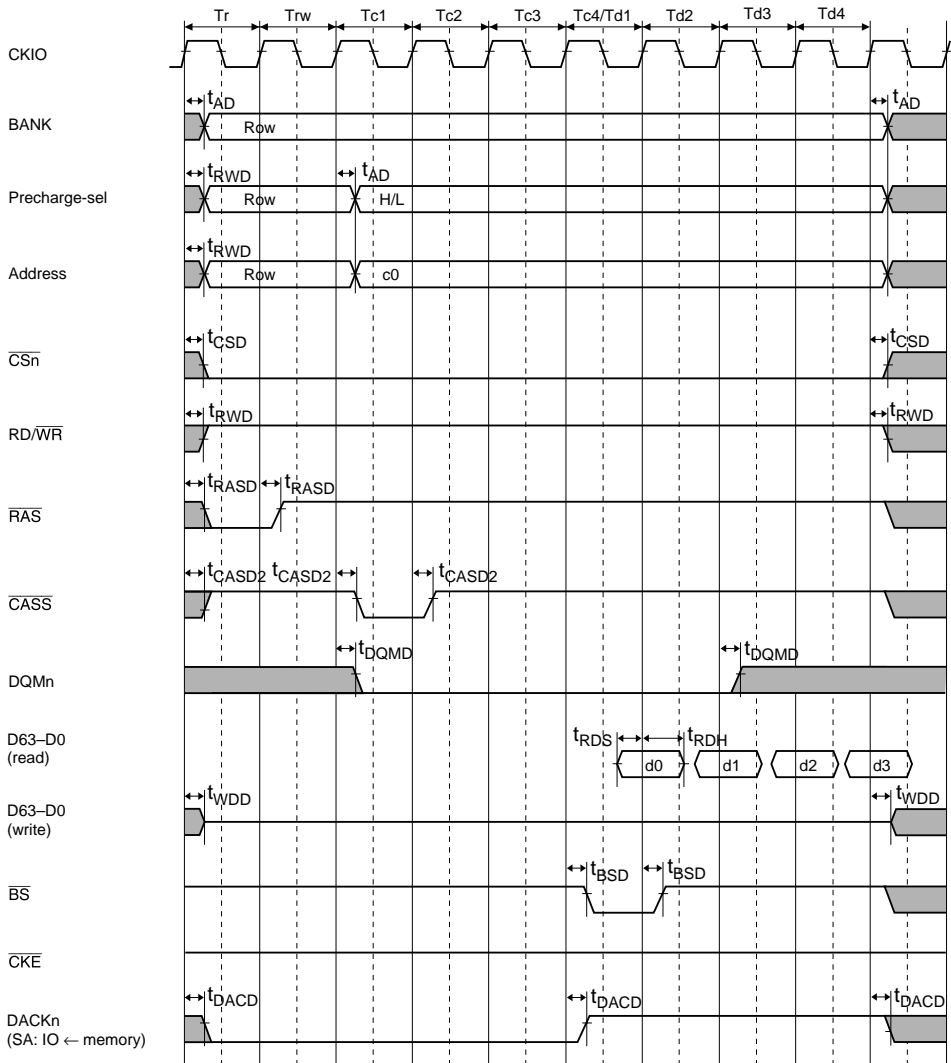


Figure 22.23 Synchronous DRAM Auto-Precharge Read Bus Cycle: Single (RCD[1:0] = 01, CAS Latency = 3, TPC[2:0] = 011)



Notes: IO: DACK device
 SA: Single address DMA transfer
 DA: Dual address DMA transfer
 DACK set to active-high

Figure 22.25 Synchronous DRAM Normal Read Bus Cycle: ACT + READ Commands, Burst (RCD[1:0] = 01, CAS Latency = 3)

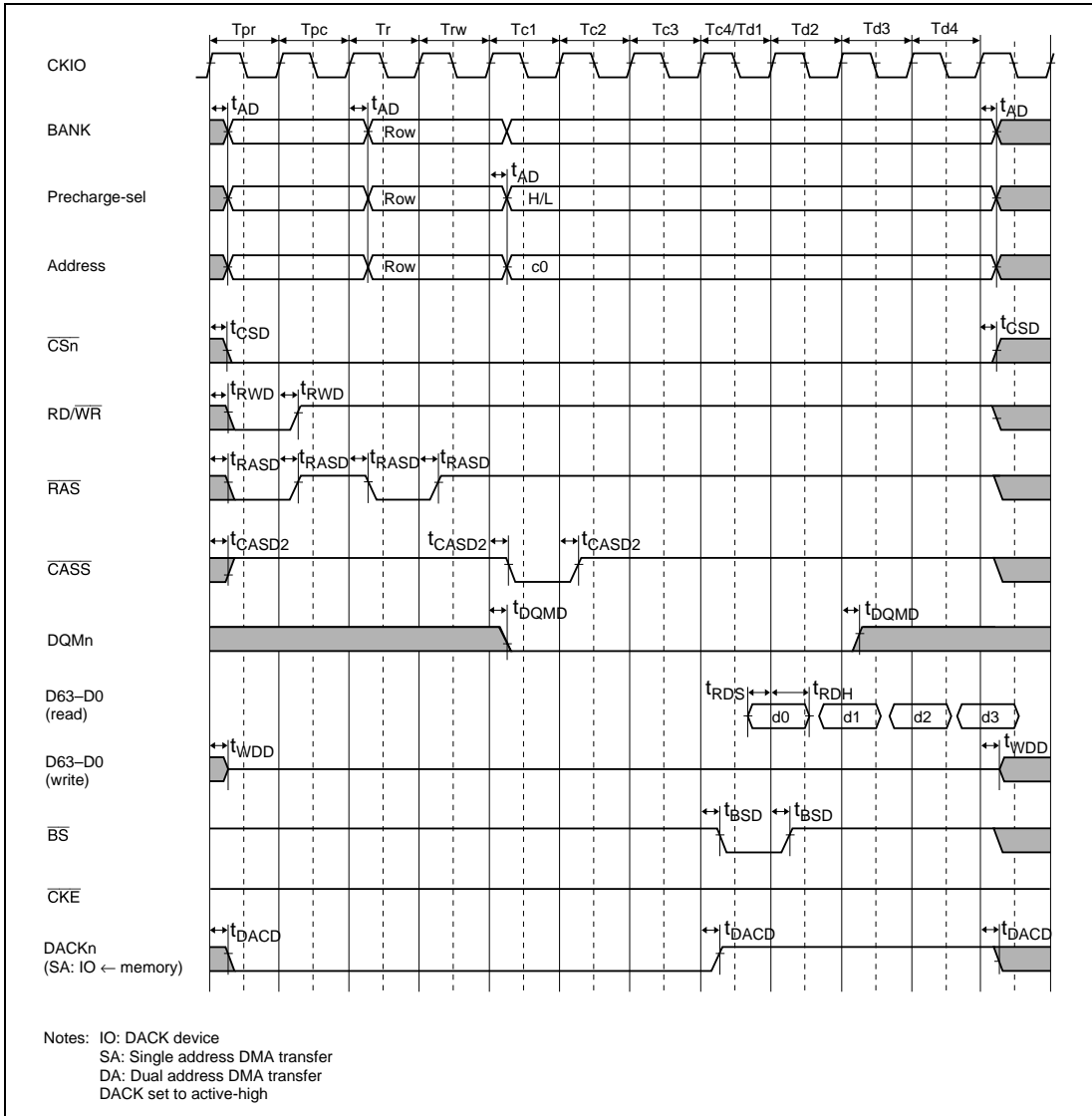
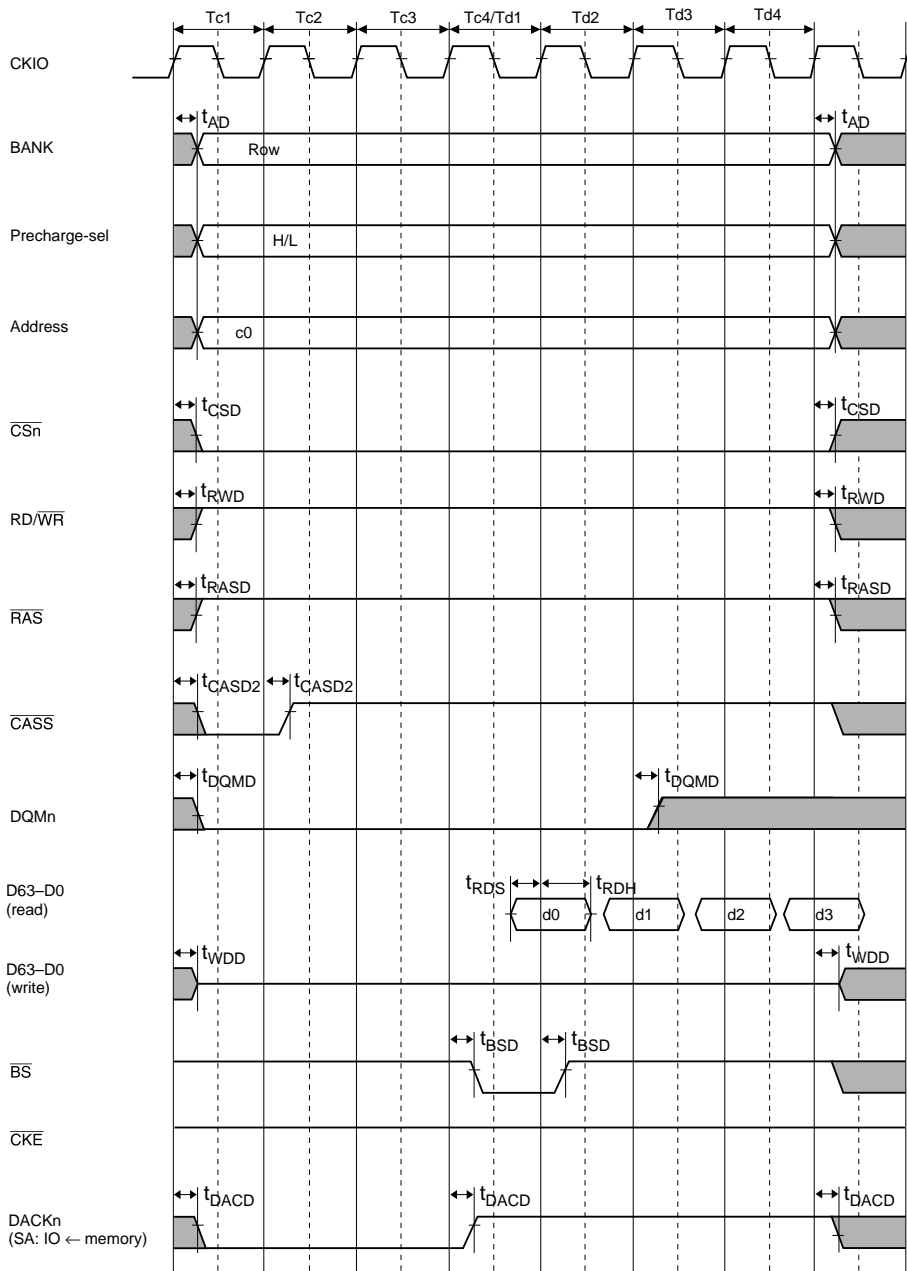
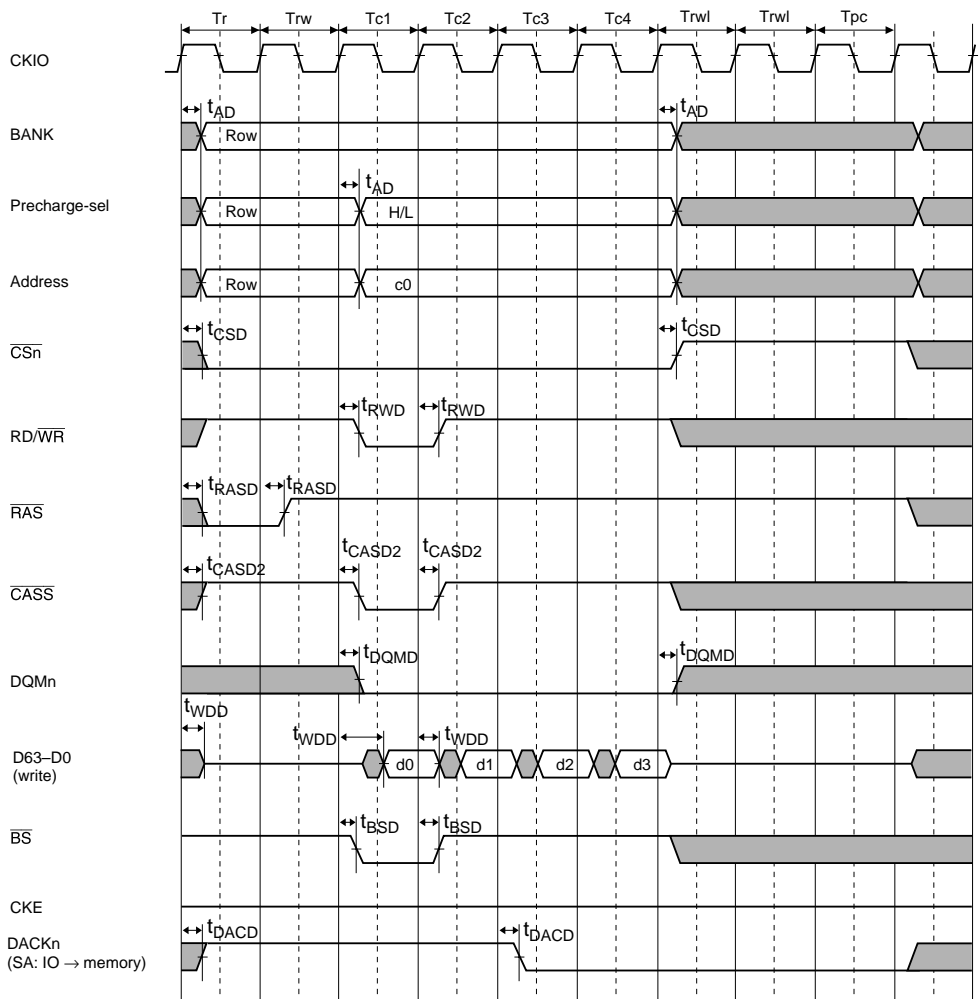


Figure 22.26 Synchronous DRAM Normal Read Bus Cycle: PRE + ACT + READ
Commands, Burst (RCD[1:0] = 01, TPC[2:0] = 001, CAS Latency = 3)



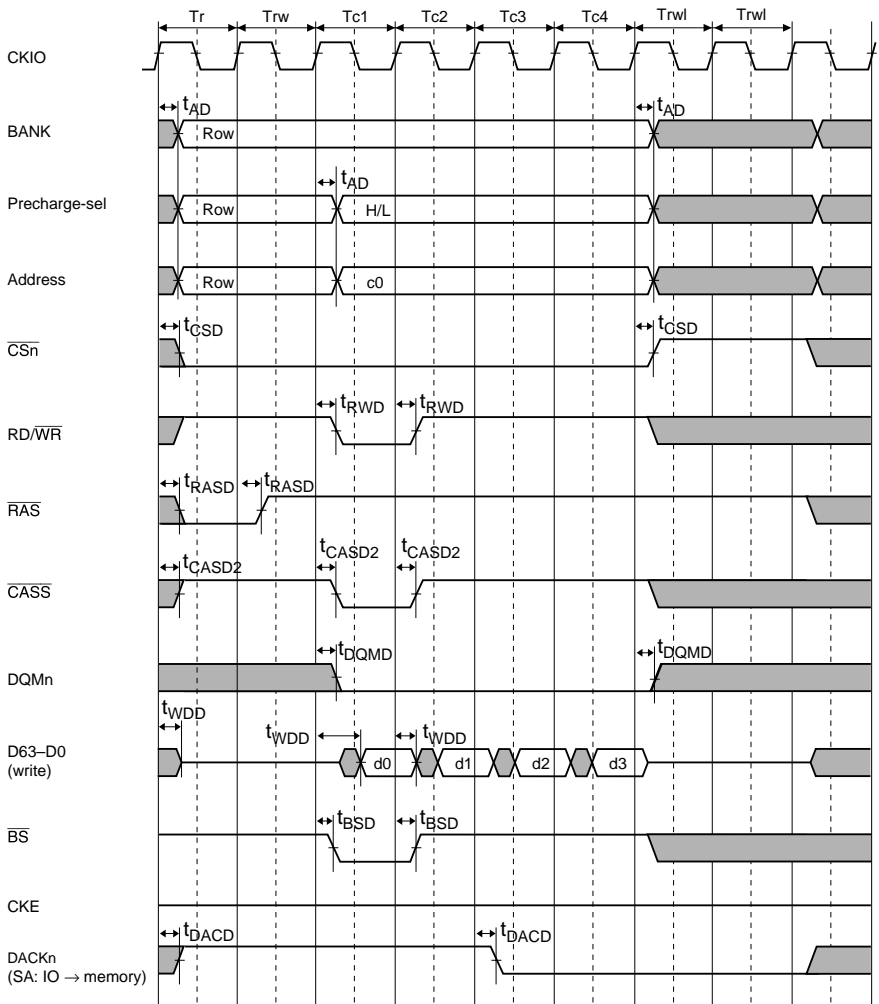
Notes: IO: DACK device
 SA: Single address DMA transfer
 DA: Dual address DMA transfer
 DACK set to active-high

Figure 22.27 Synchronous DRAM Normal Read Bus Cycle: READ Command, Burst (CAS Latency = 3)



Notes: IO: DACK device
 SA: Single address DMA transfer
 DA: Dual address DMA transfer
 DACK set to active-high

Figure 22.29 Synchronous DRAM Auto-Precharge Write Bus Cycle: Burst
 (RCD[1:0] = 01, TPC[2:0] = 001, TRWL[2:0] = 010)



Notes: IO: DACK device
 SA: Single address DMA transfer
 DA: Dual address DMA transfer
 DACK set to active-high

Figure 22.30 Synchronous DRAM Normal Write Bus Cycle: ACT + WRITE Commands, Burst (RCD[1:0] = 01, TRWL[2:0] = 010)

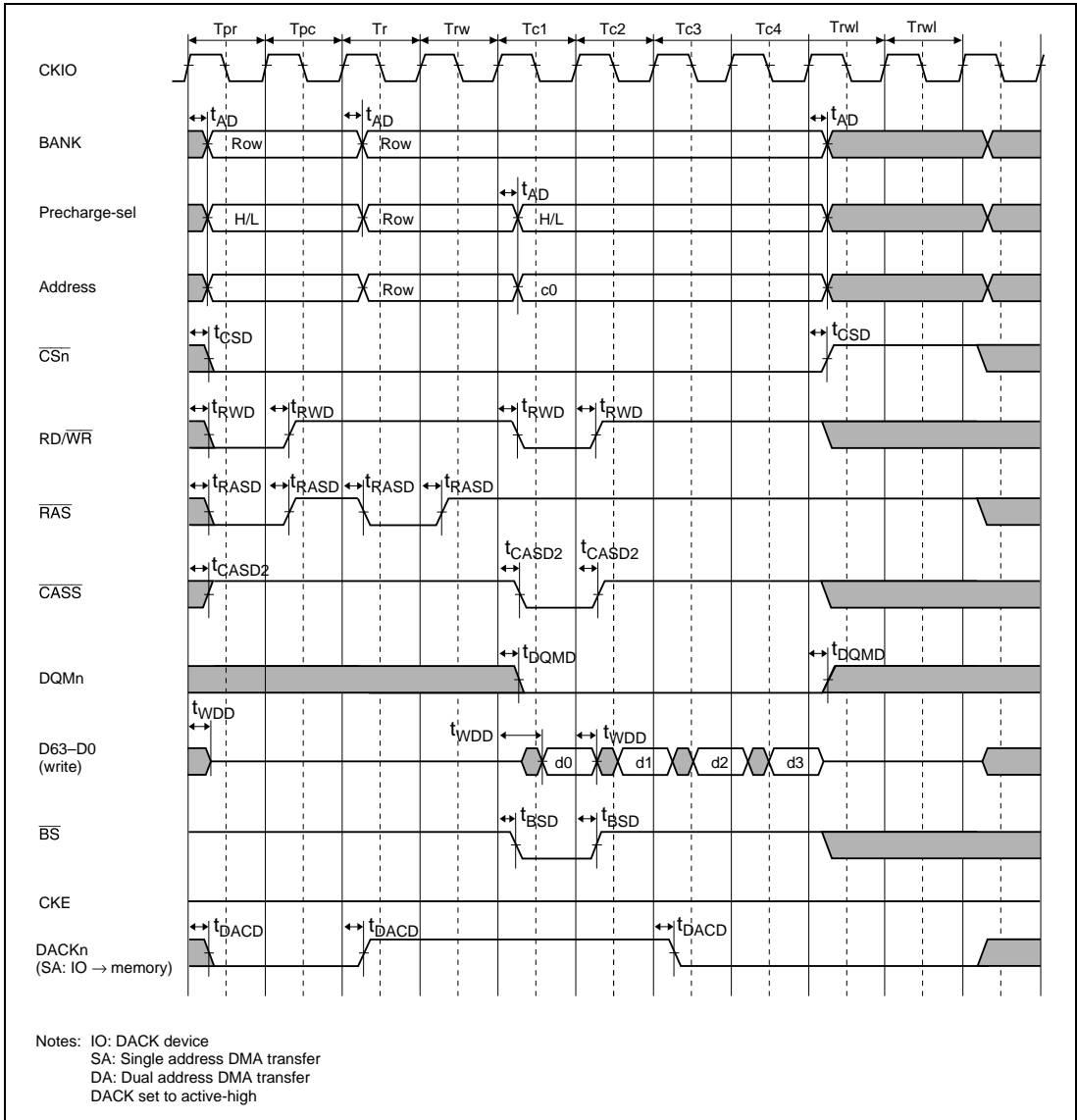
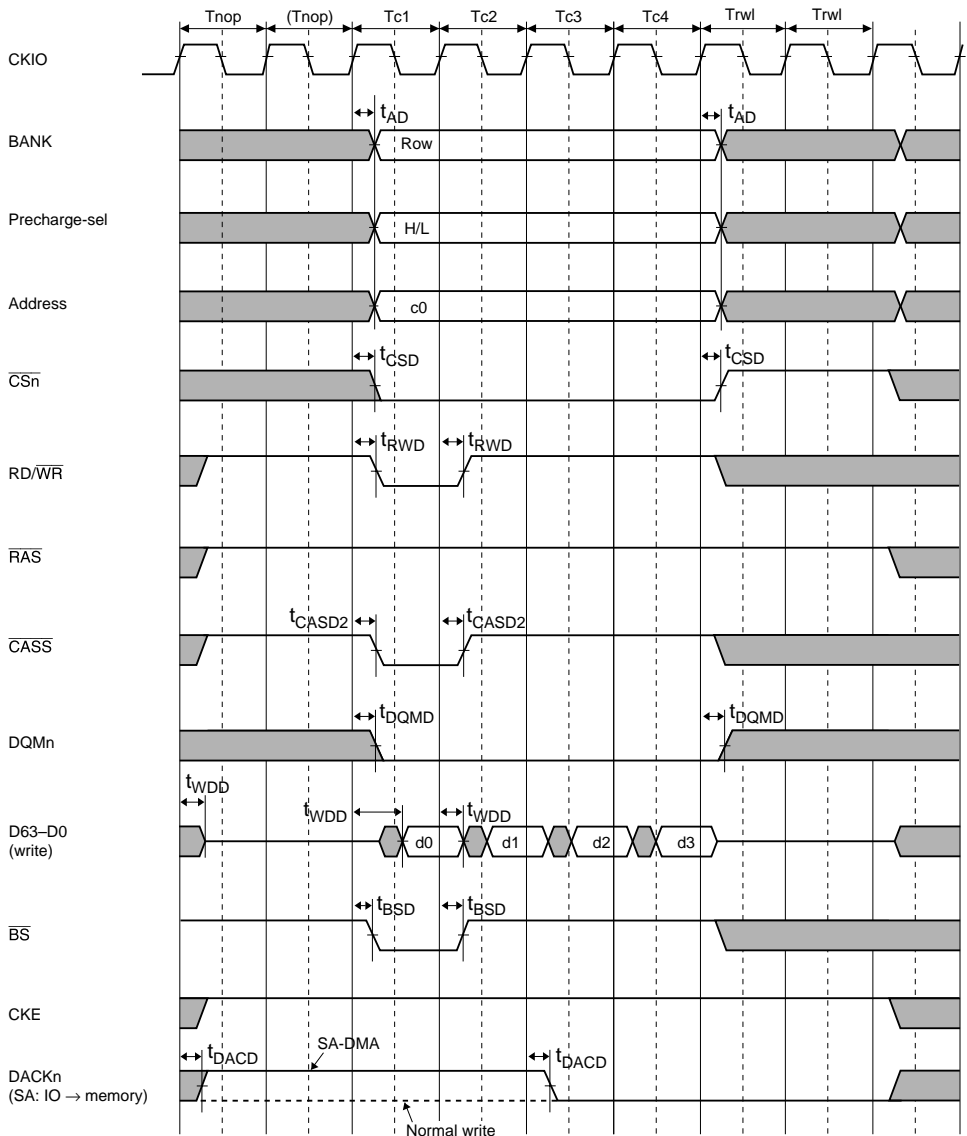


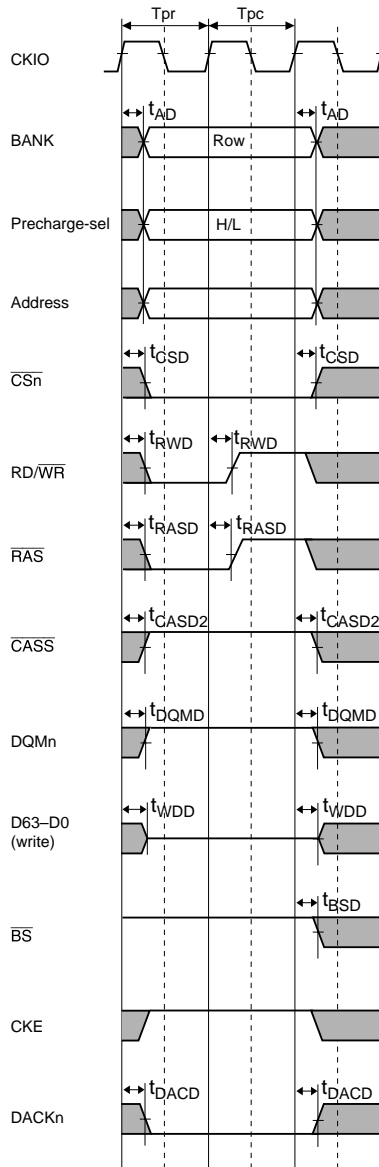
Figure 22.31 Synchronous DRAM Normal Write Bus Cycle: PRE + ACT + WRITE Commands, Burst (RCD[1:0] = 01, TPC[2:0] = 001, TRWL[2:0] = 010)



Notes: In the case of SA-DMA only, the (Tnop) cycle is inserted, and the DACKn signal is output as shown by the solid line. In a normal write, the (Tnop) cycle is omitted and the DACKn signal is output as shown by the dotted line.

- IO: DACK device
- SA: Single address DMA transfer
- DA: Dual address DMA transfer
- DACK set to active-high

Figure 22.32 Synchronous DRAM Normal Write Bus Cycle: WRITE Command, Burst (TRWL[2:0] = 010)



Notes: IO: DACK device
 SA: Single address DMA transfer
 DA: Dual address DMA transfer
 DACK set to active-high

Figure 22.33 Synchronous DRAM Bus Cycle: Synchronous DRAM Precharge Command (TPC[2:0] = 001)

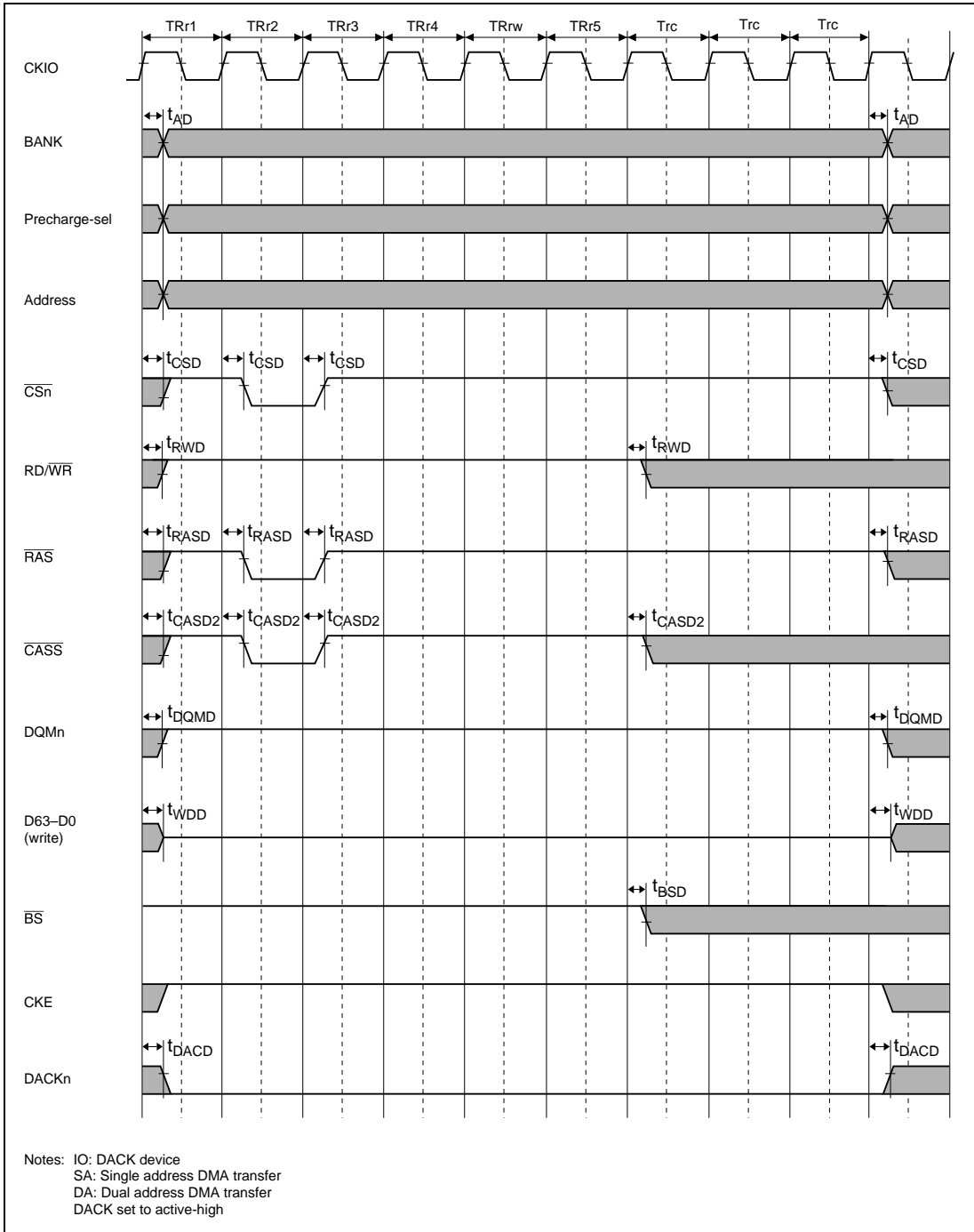
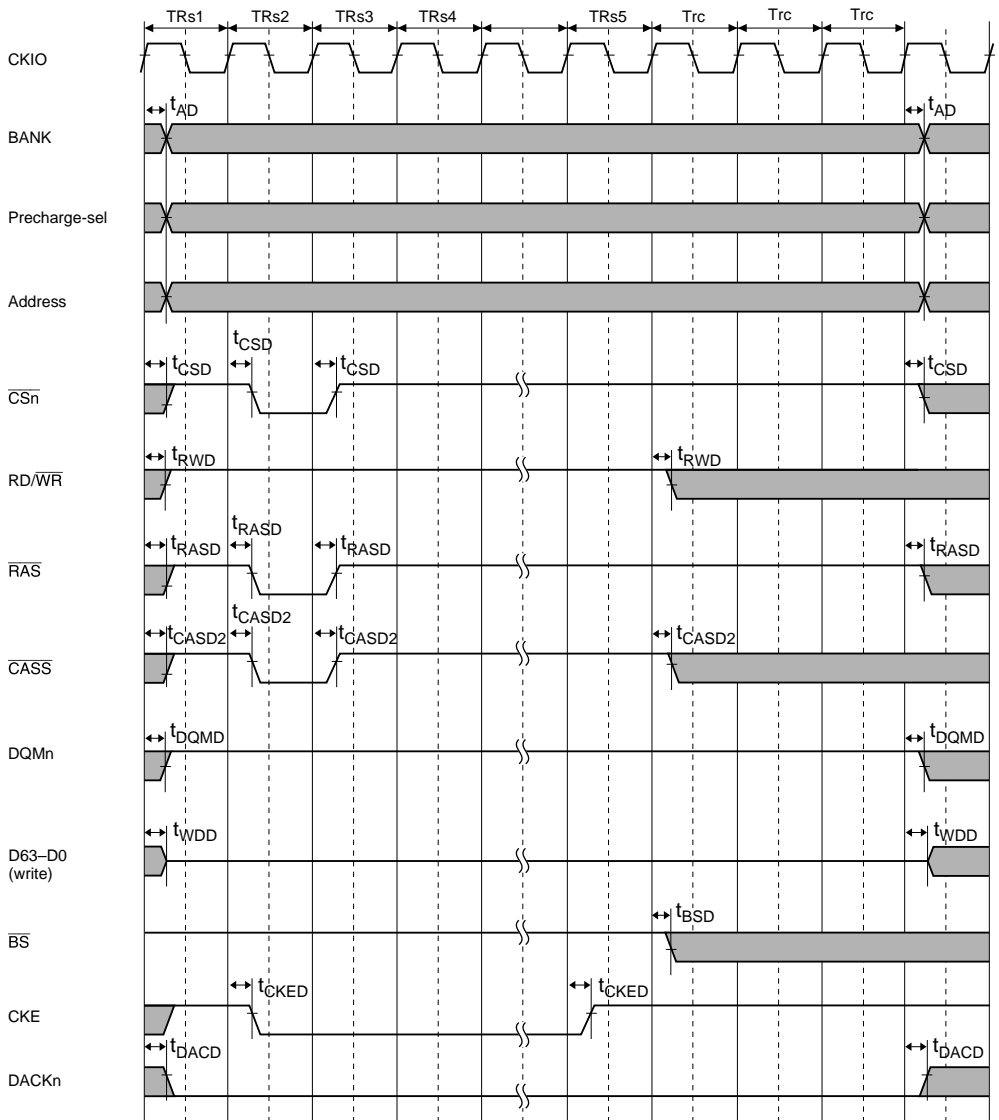
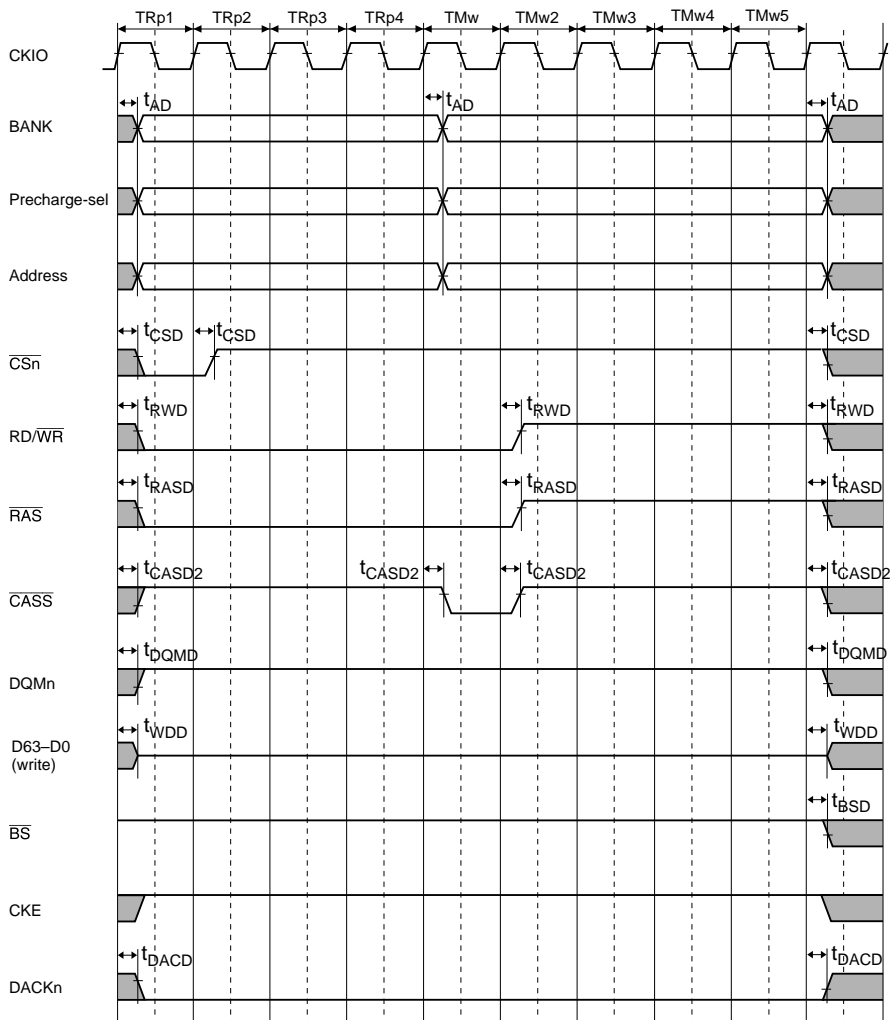


Figure 22.34 Synchronous DRAM Bus Cycle: Synchronous DRAM Auto-Refresh
(TRAS = 1, TRC[2:0] = 001)



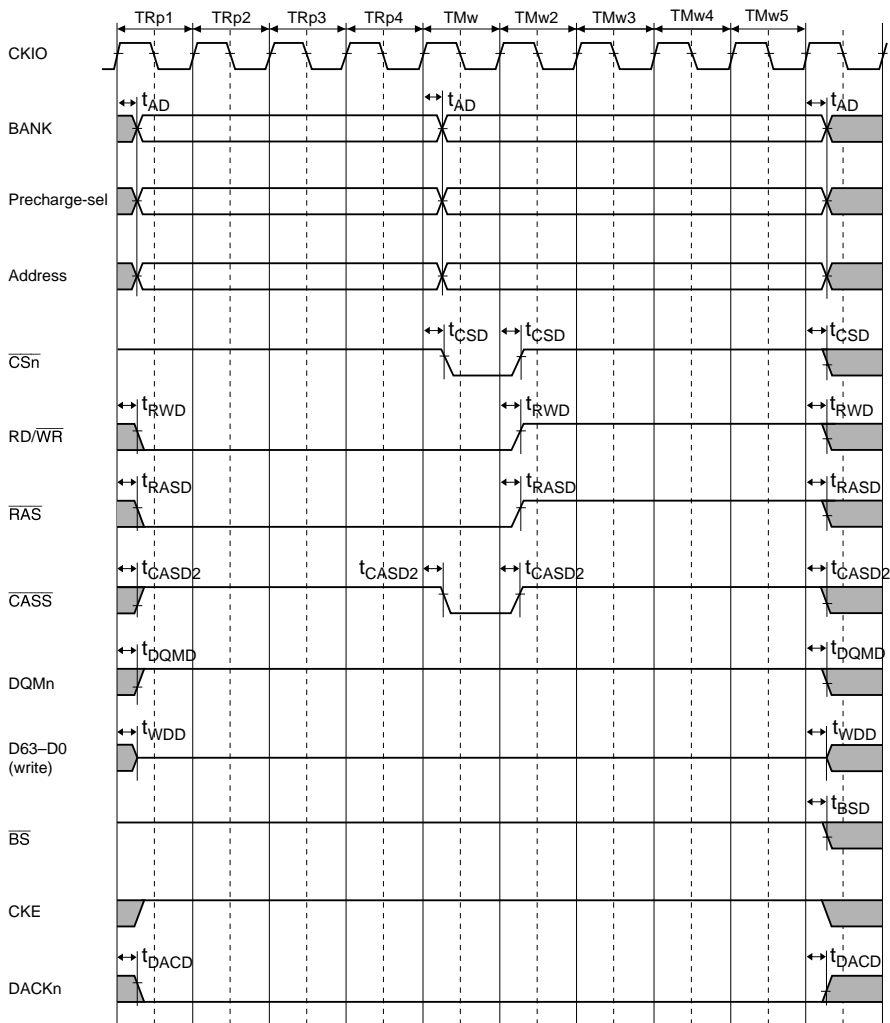
Notes: IO: DACK device
 SA: Single address DMA transfer
 DA: Dual address DMA transfer
 DACK set to active-high

Figure 22.35 Synchronous DRAM Bus Cycle: Synchronous DRAM Self-Refresh (TRC[2:0] = 001)



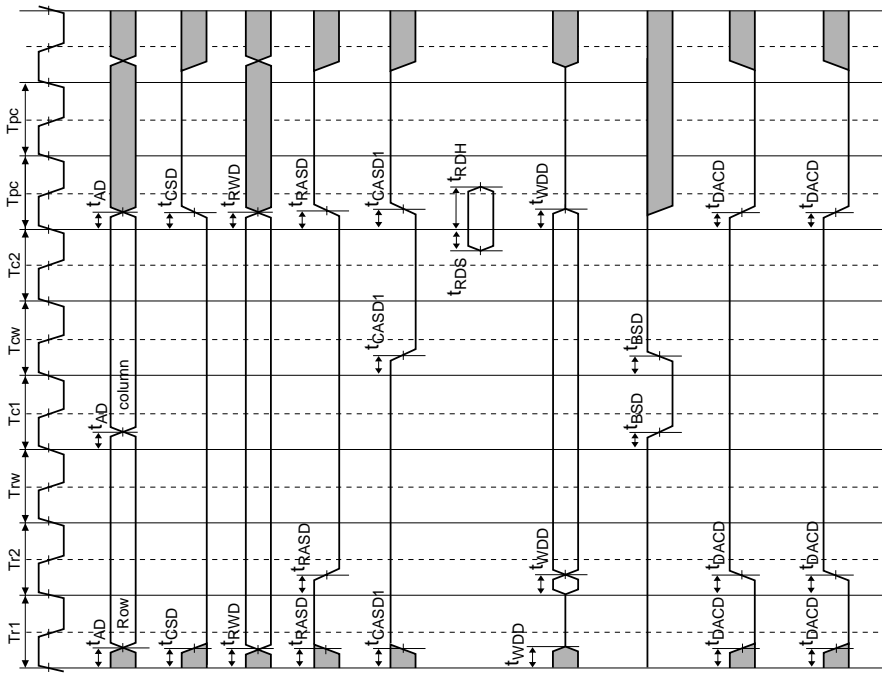
Notes: IO: DACK device
 SA: Single address DMA transfer
 DA: Dual address DMA transfer
 DACK set to active-high

Figure 22.36 (a) Synchronous DRAM Bus Cycle: Synchronous DRAM Mode Register Setting (PALL)

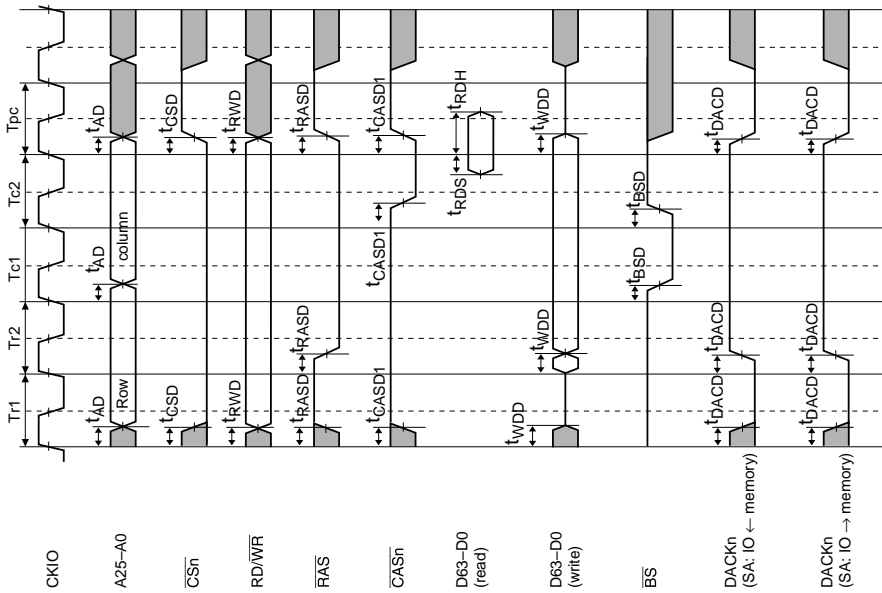


Notes: IO: DACK device
 SA: Single address DMA transfer
 DA: Dual address DMA transfer
 DACK set to active-high

Figure 22.36 (b) Synchronous DRAM Bus Cycle: Synchronous DRAM Mode Register Setting (SET)



(2)

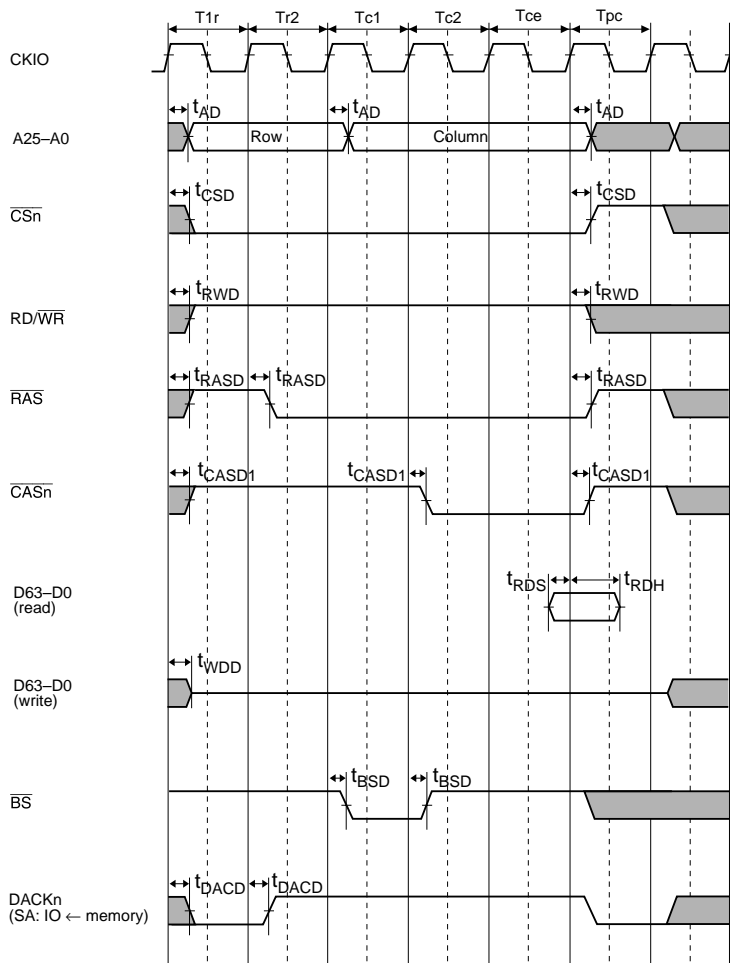


(1)

Notes: IO: DACK device
 SA: Single address DMA transfer
 DA: Dual address DMA transfer
 DACK set to active-high

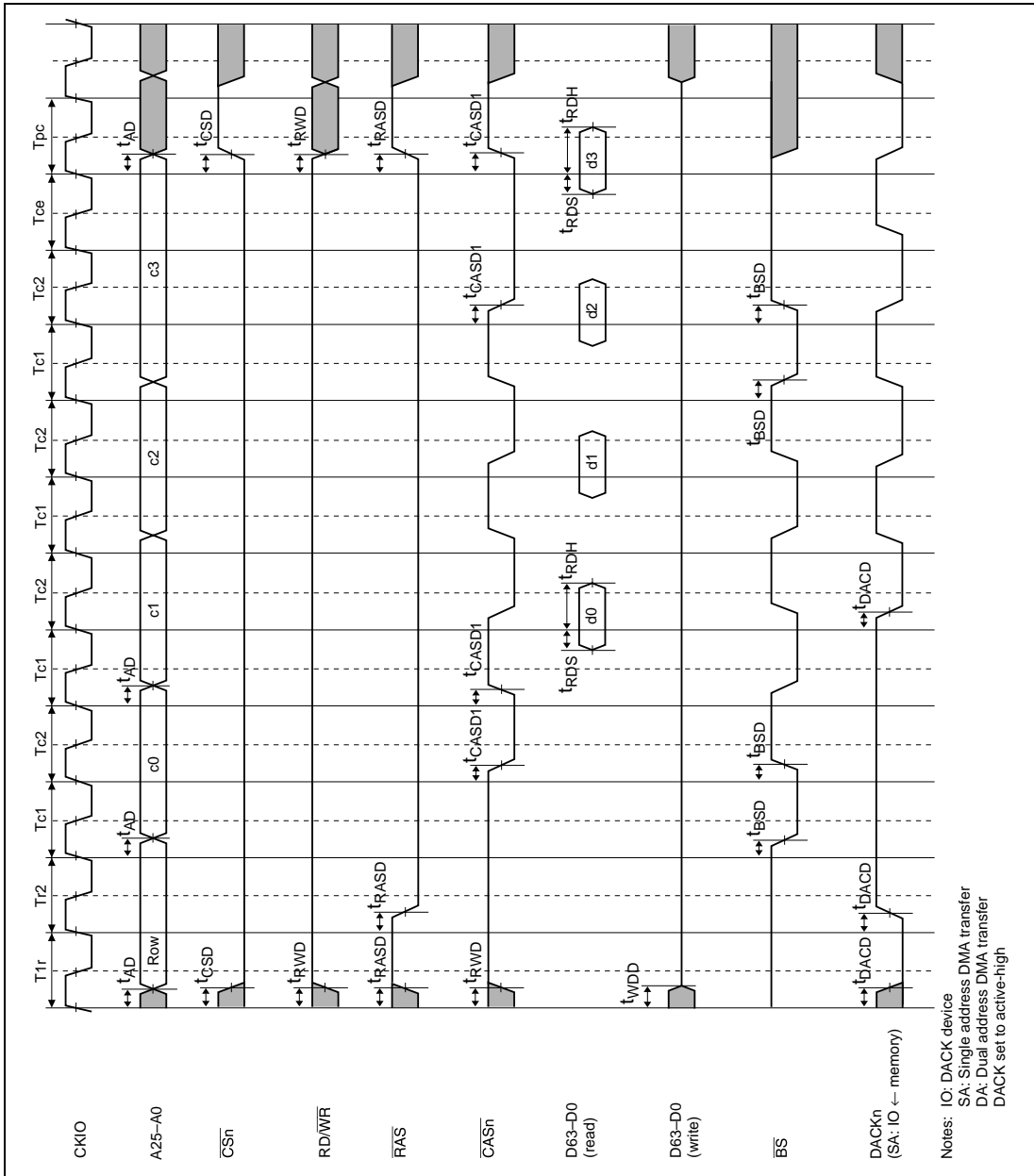
Figure 22.37 DRAM Bus Cycles

- (1) RCD[1:0] = 00, AnW[2:0] = 000, TPC[2:0] = 001
- (2) RCD[1:0] = 01, AnW[2:0] = 001, TPC[2:0] = 010



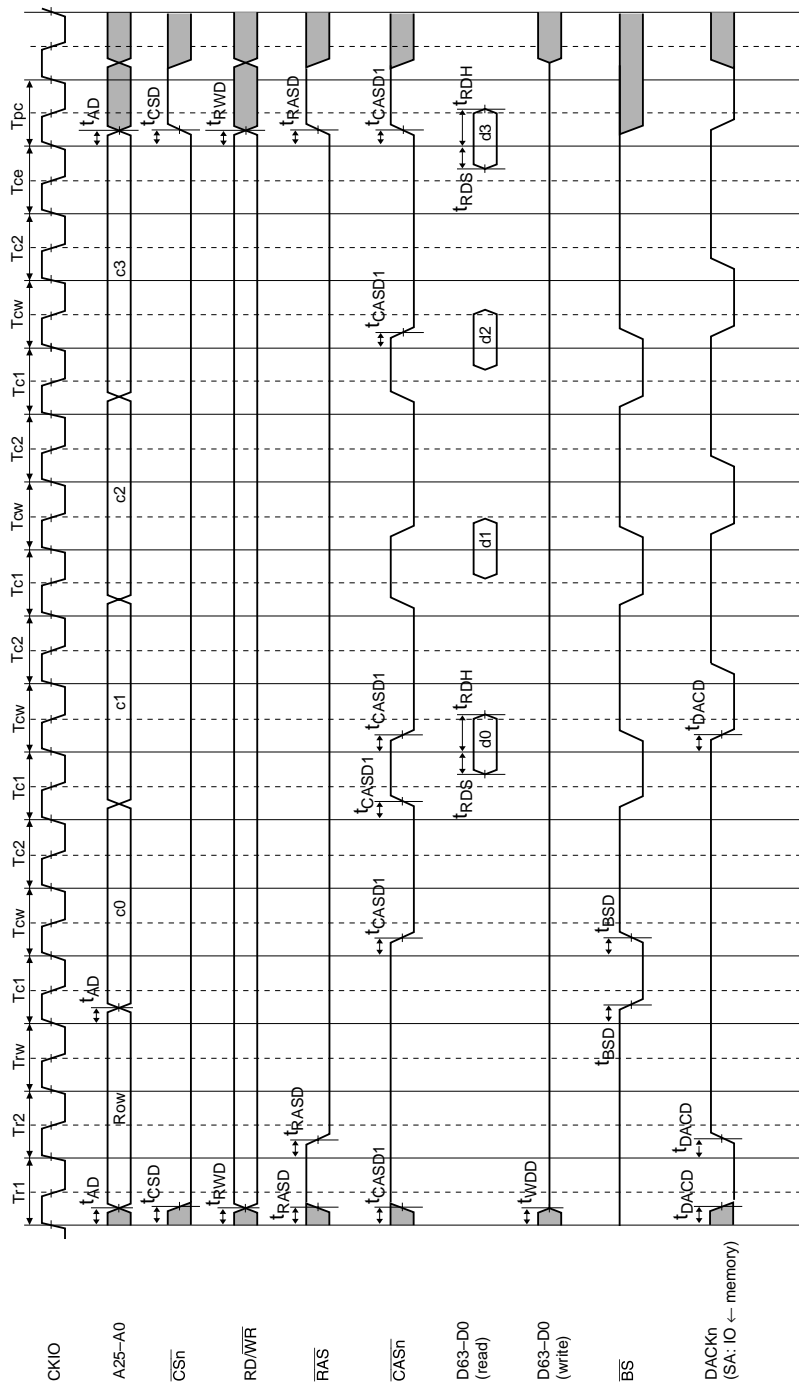
Notes: IO: DACK device
 SA: Single address DMA transfer
 DA: Dual address DMA transfer
 DACK set to active-high

Figure 22.38 DRAM Bus Cycle
(EDO Mode, RCD[1:0] = 00, AnW[2:0] = 000, TPC[2:0] = 001)



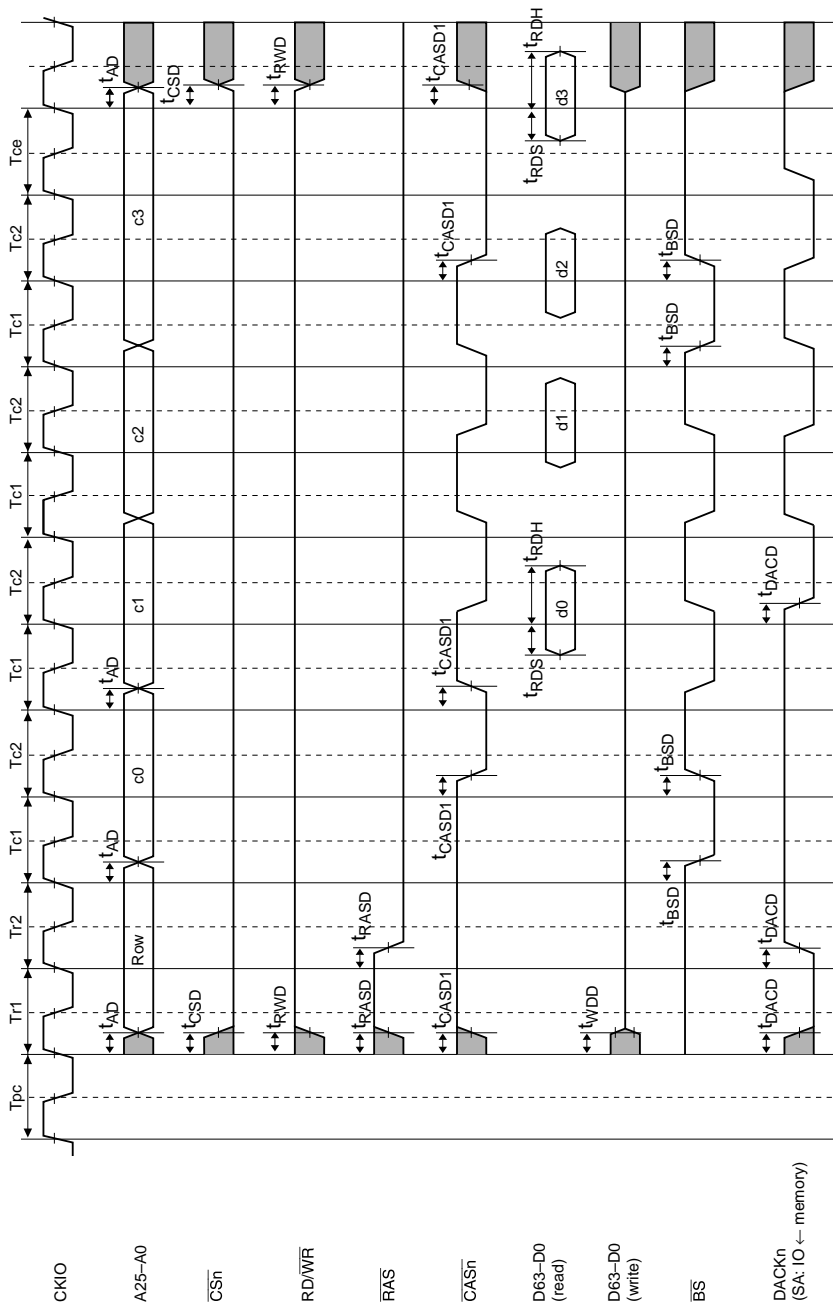
Notes: IO: DACK device
 SA: Single address DMA transfer
 DA: Dual address DMA transfer
 DACK set to active-high

Figure 22.39 DRAM Burst Bus Cycle
(EDO Mode, RCD[1:0] = 00, AnW[2:0] = 000, TPC[2:0] = 001)



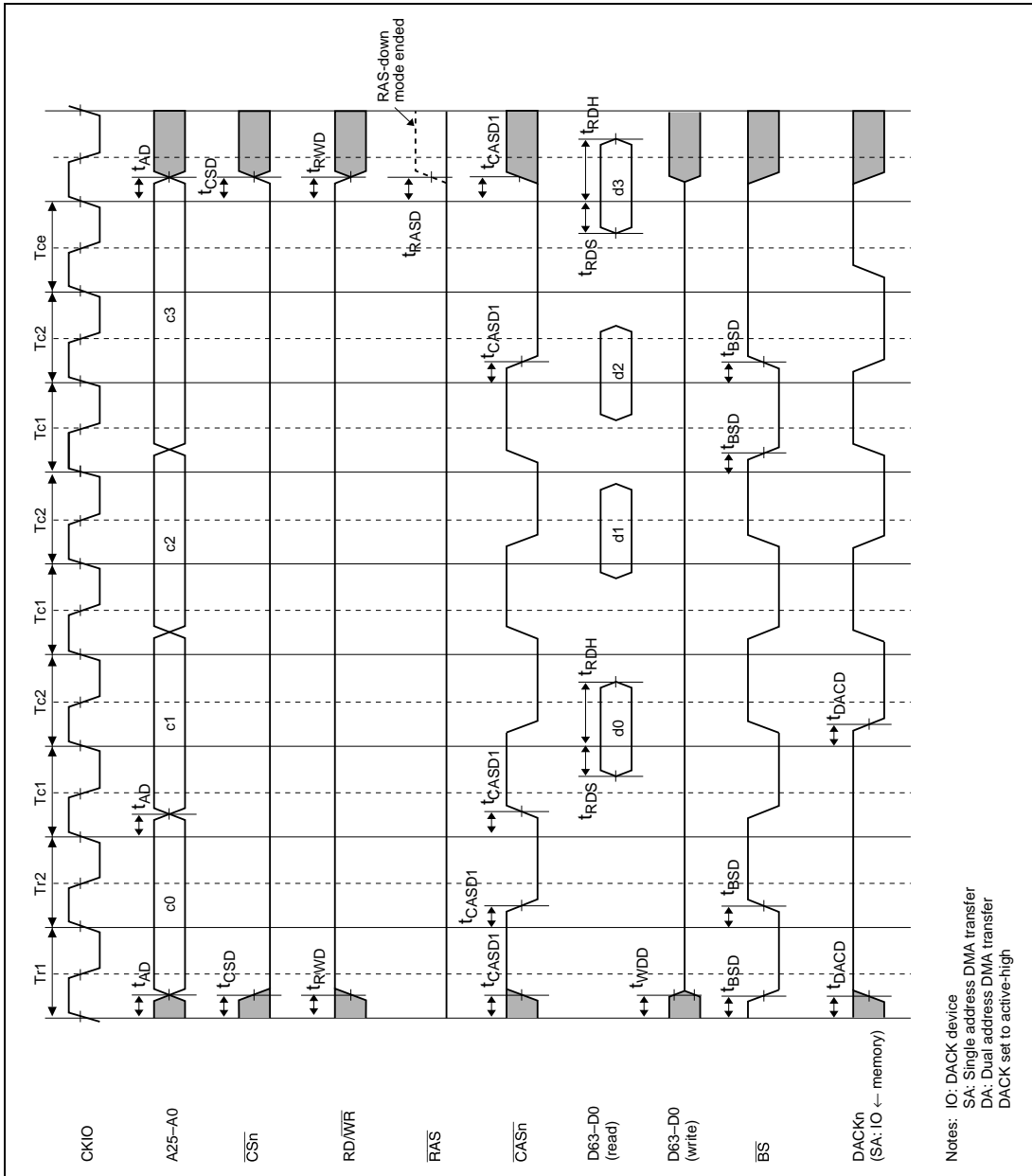
Notes: IO: DACK device
 SA: Single address DMA transfer
 DA: Dual address DMA transfer
 DACK set to active-high

Figure 22.40 DRAM Burst Bus Cycle
(EDO Mode, RCD[1:0] = 01, AnW[2:0] = 001, TPC[2:0] = 001)



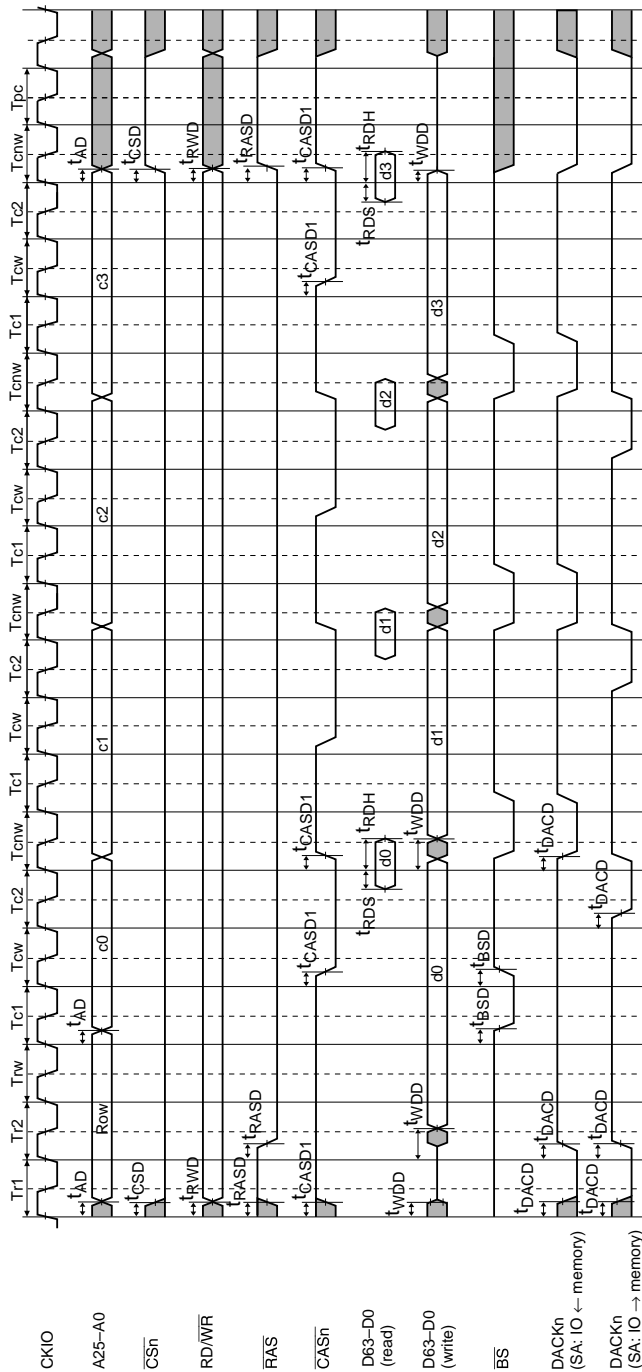
Notes: IO: DACK device
 SA: Single address DMA transfer
 DA: Dual address DMA transfer
 DACK set to active-high

**Figure 22.42 DRAM Burst Bus Cycle: RAS Down Mode State
 (EDO Mode, RCD[1:0] = 00, AnW[2:0] = 000)**



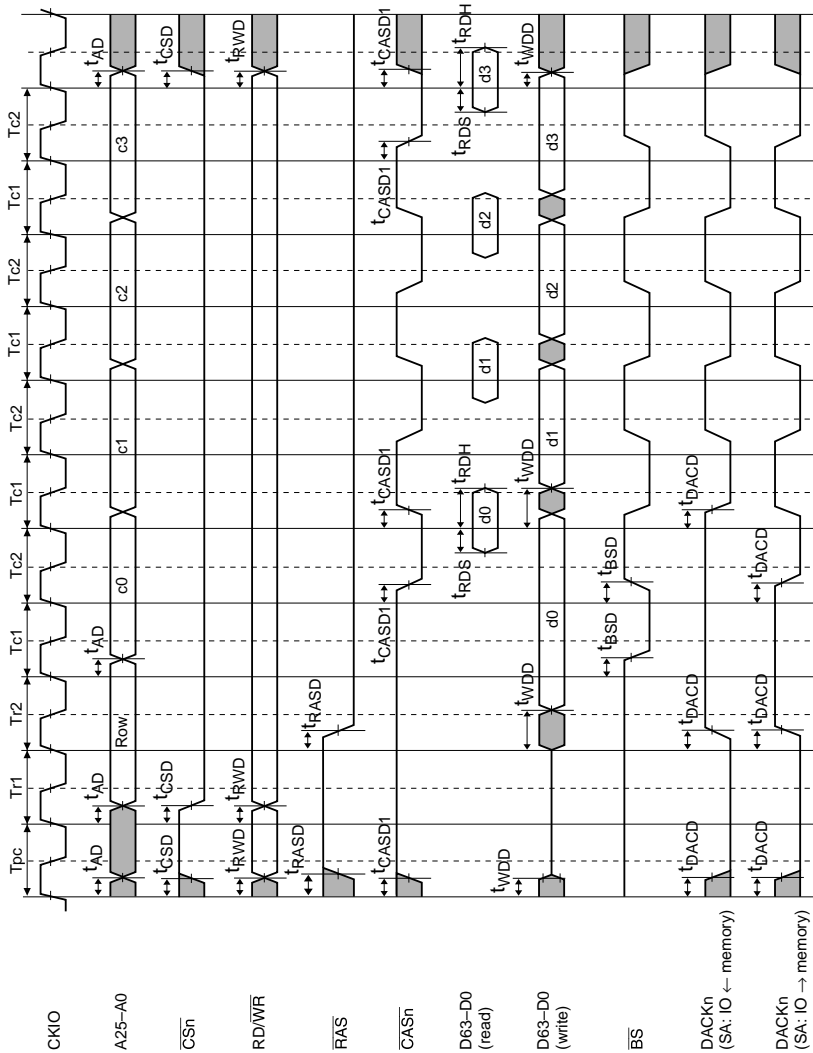
Notes: IO: DACK device
 SA: Single address DMA transfer
 DA: Dual address DMA transfer
 DACK set to active-high

**Figure 22.43 DRAM Burst Bus Cycle: RAS Down Mode Continuation
 (EDO Mode, RCD[1:0] = 00, AnW[2:0] = 000)**



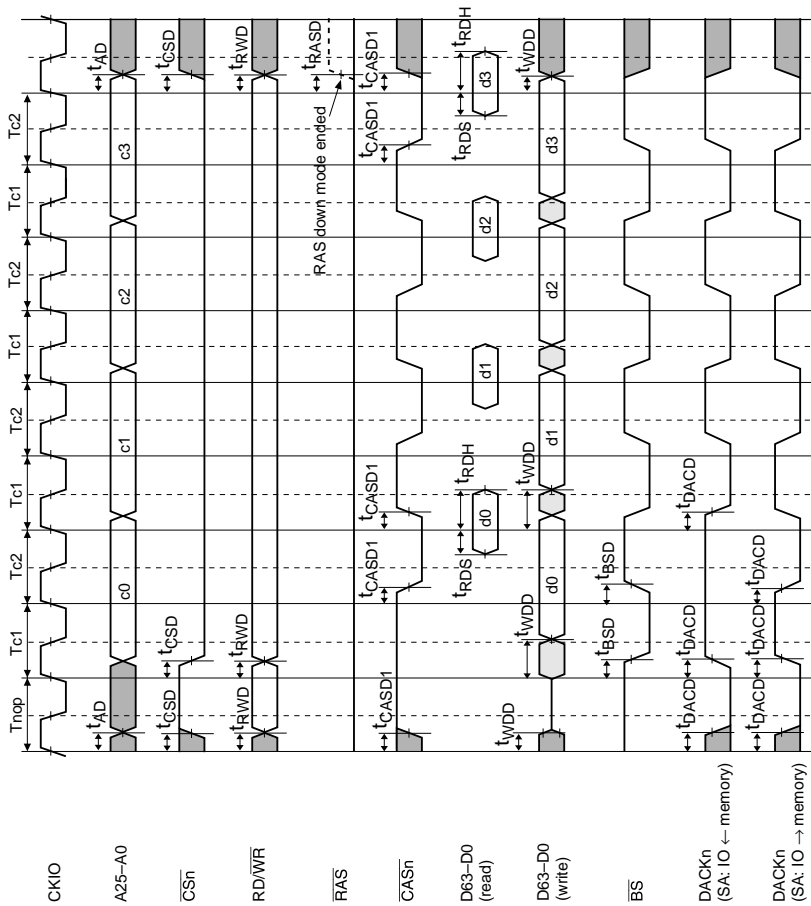
Notes: IO: DACK device
 SA: Single address DMA transfer
 DA: Dual address DMA transfer
 DACK set to active-high

Figure 22.46 DRAM Burst Bus Cycle (Fast Page Mode, RCD[1:0] = 01, AnW[2:0] = 001, TPC[2:0] = 001, 2-Cycle CAS Negate Pulse Width)



Notes:
 IO: DACK device
 SA: Single address DMA transfer
 DA: Dual address DMA transfer
 DACK set to active-high

**Figure 22.47 DRAM Burst Bus Cycle: RAS Down Mode State
 (Fast Page Mode, RCD[1:0] = 00, AnW[2:0] = 000)**



Notes: IO: DACK device
 SA: Single address DMA transfer
 DA: Dual address DMA transfer
 DACK set to active-high

Figure 22.48 DRAM Burst Bus Cycle: RAS Down Mode Continuation
 (Fast Page Mode, RCD[1:0] = 00, AnW[2:0] = 000)

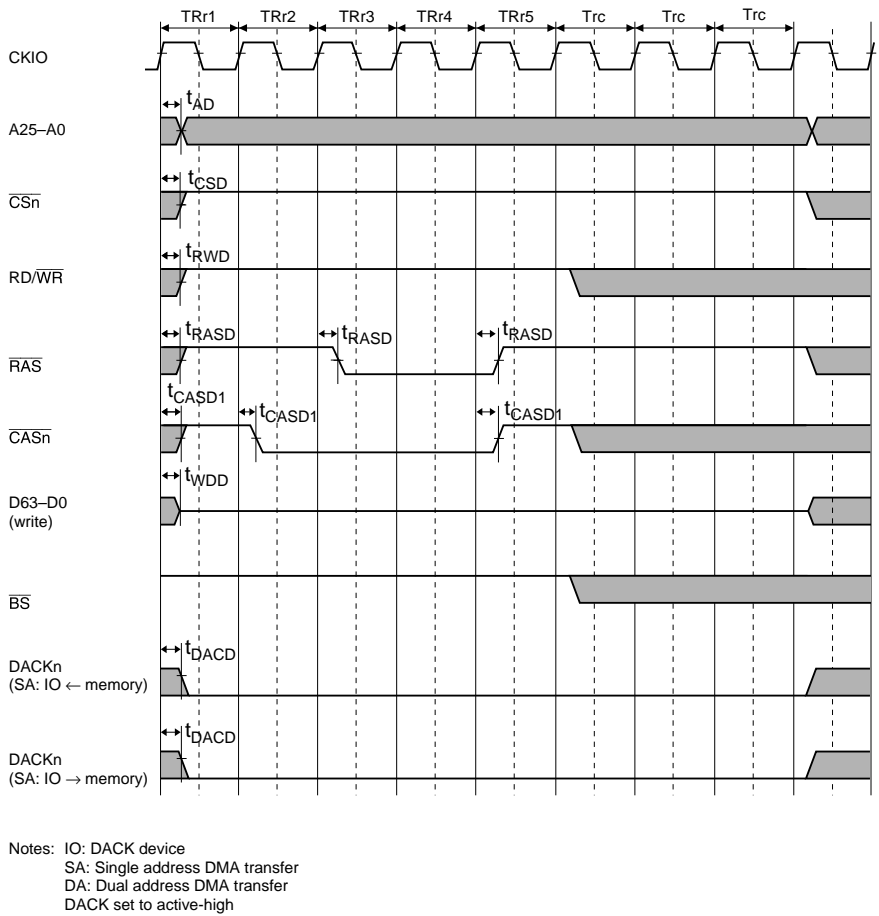


Figure 22.49 DRAM Bus Cycle: DRAM CAS-Before-RAS Refresh
 (TRAS[2:0] = 000, TRC[2:0] = 001)

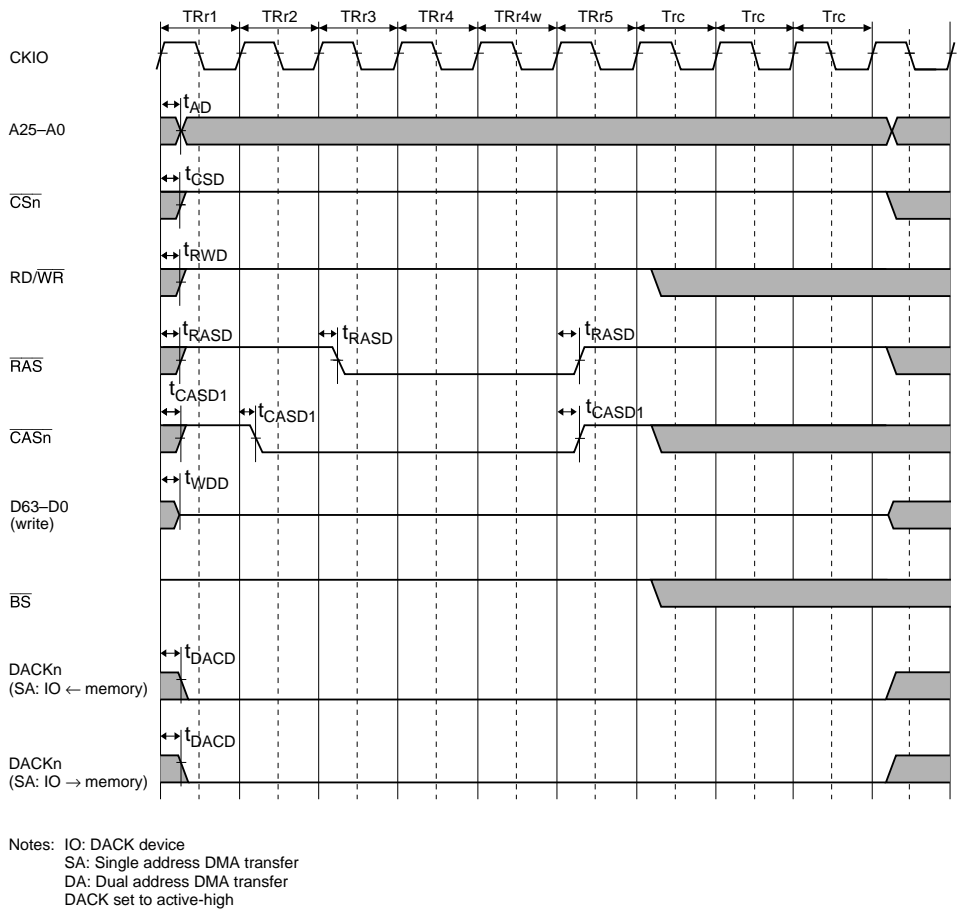


Figure 22.50 DRAM Bus Cycle: DRAM CAS-Before-RAS Refresh
(TRAS[2:0] = 001, TRC[2:0] = 001)

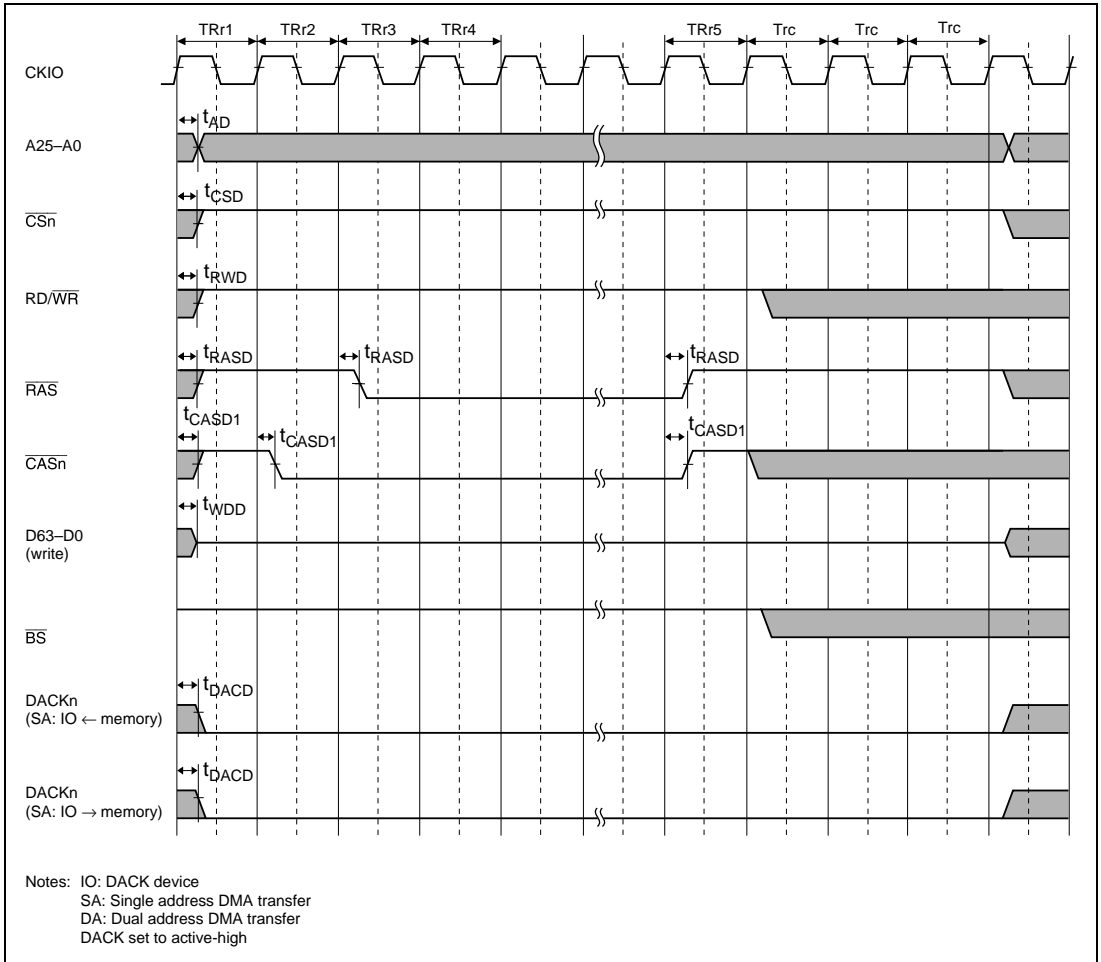


Figure 22.51 DRAM Bus Cycle: DRAM Self-Refresh (TRC[2:0] = 001)

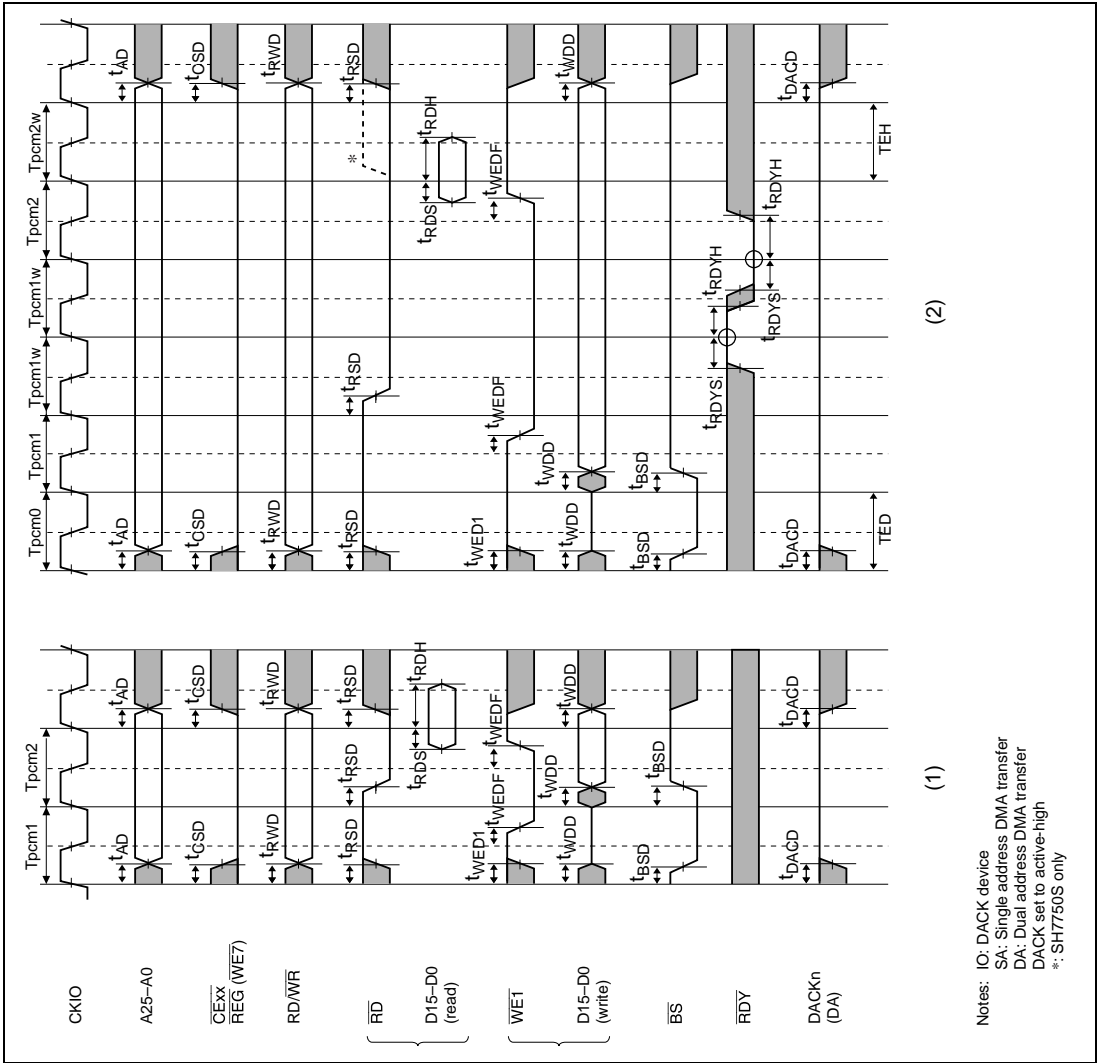


Figure 22.52 PCMCIA Memory Bus Cycle

(1) TED[2:0] = 000, TEH[2:0] = 000, No Wait

(2) TED[2:0] = 001, TEH[2:0] = 001, One Internal Wait + One External Wait

Notes: IO: DACK device
 SA: Single address DMA transfer
 DA: Dual address DMA transfer
 DACK set to active-high
 *: SH7750S only

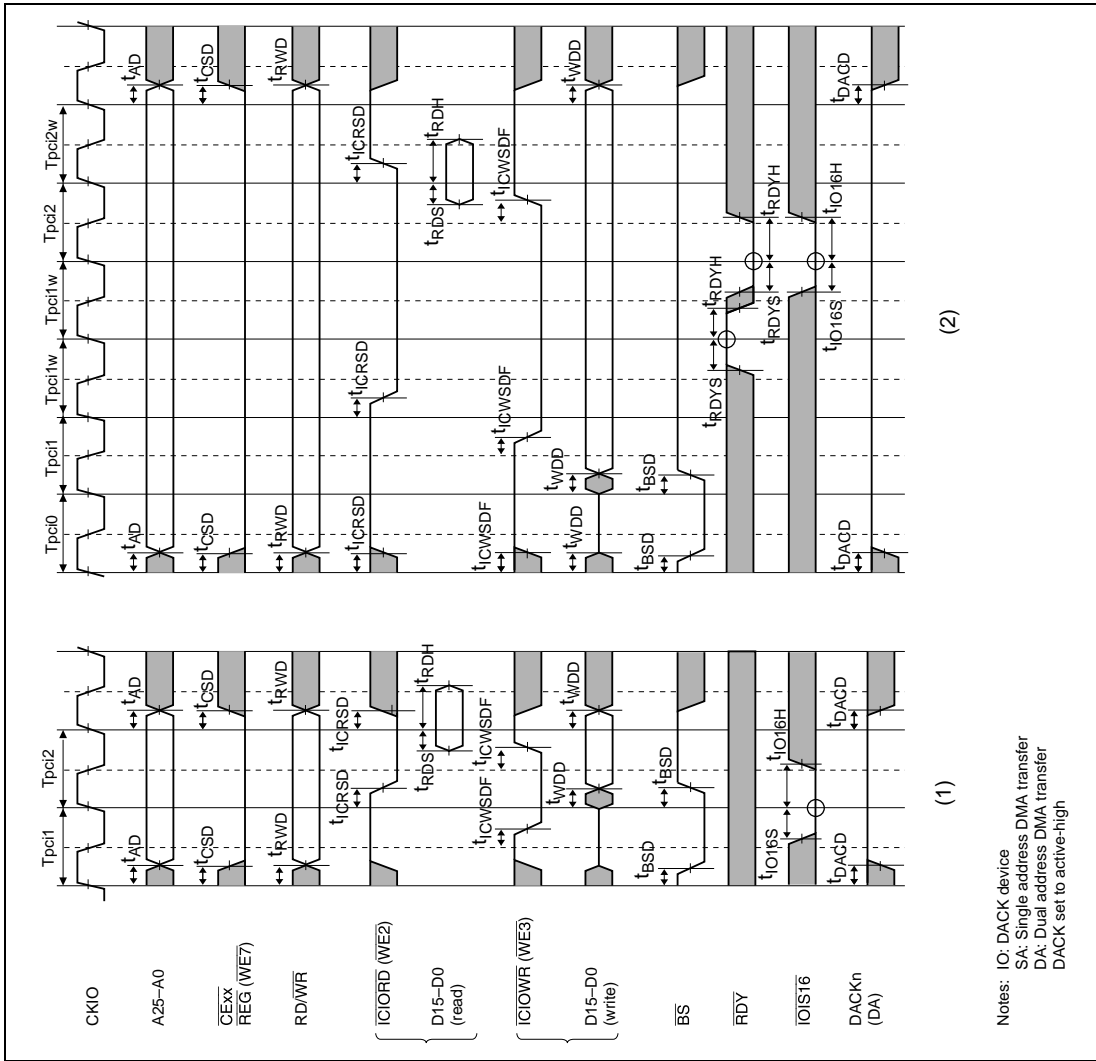


Figure 22.53 PCMCIA I/O Bus Cycle

(1) TED[2:0] = 000, TEH[2:0] = 000, No Wait

(2) TED[2:0] = 001, TEH[2:0] = 001, One Internal Wait + One External Wait

Notes: IO: DACK device
 SA: Single address DMA transfer
 DA: Dual address DMA transfer
 DACK set to active-high

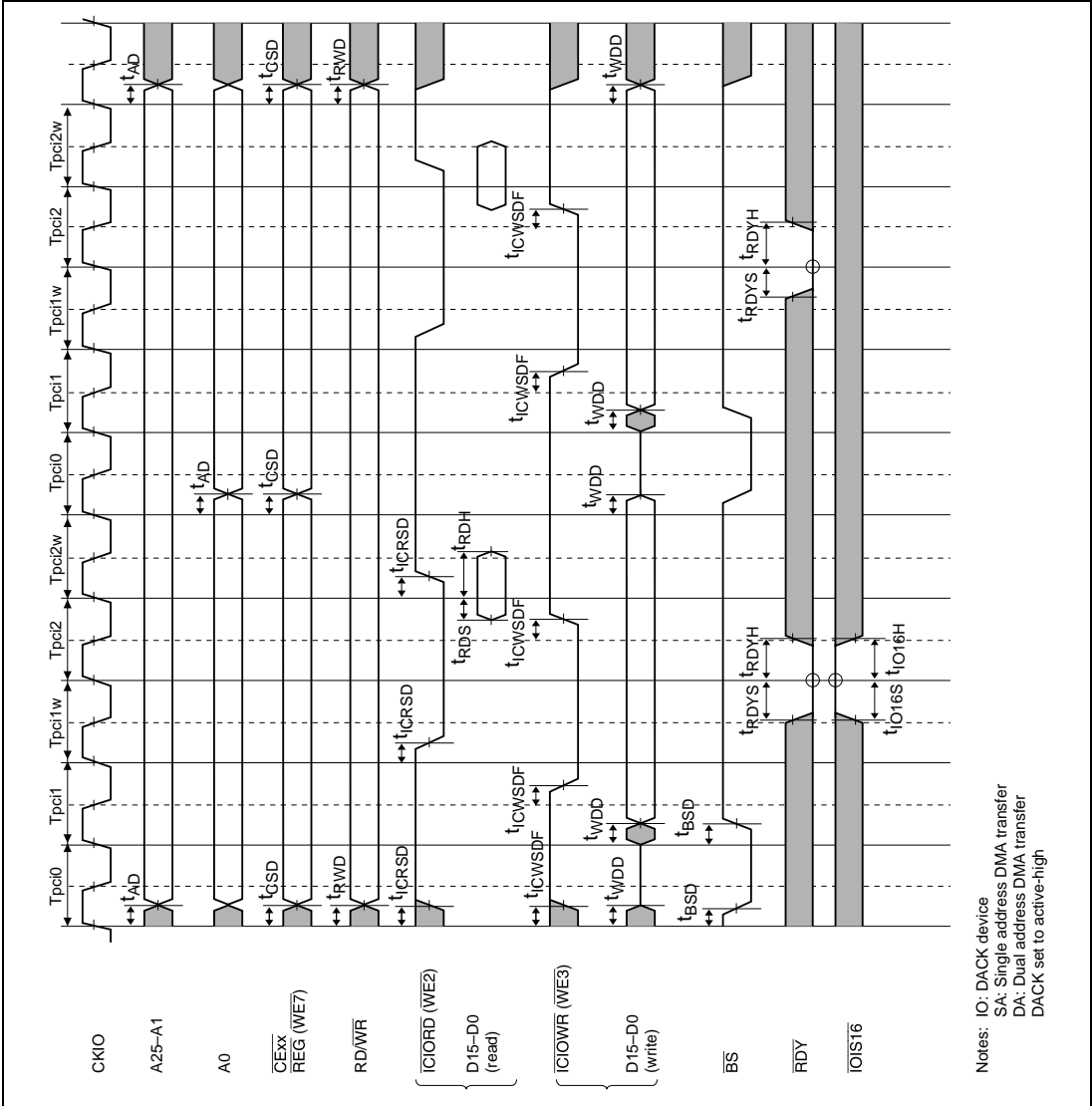
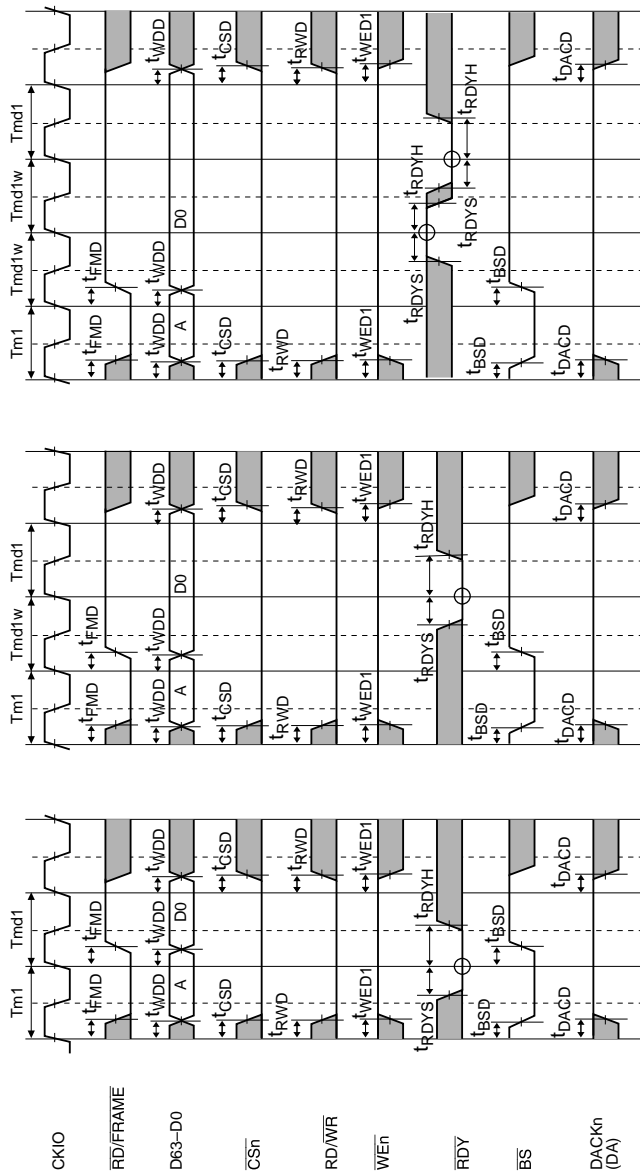


Figure 22.54 PCMCIA I/O Bus Cycle
(TED[2:0] = 001, TEH[2:0] = 001, One Internal Wait, Bus Sizing)



Figure 22.55 MPX Basic Bus Cycle: Read
 (1) 1st Data (One Internal Wait)
 (2) 1st Data (One Internal Wait + One External Wait)



(3)

1st data bus cycle information
 D63-D61: Access size
 000: Byte
 001: Word (2 bytes)
 010: Long (4 bytes)
 011: Quad (8 bytes)
 1xx: Burst (32 bytes)
 D25-D0: Address

(2)

1st data bus cycle information
 D63-D61: Access size
 000: Byte
 001: Word (2 bytes)
 010: Long (4 bytes)
 011: Quad (8 bytes)
 1xx: Burst (32 bytes)
 D25-D0: Address

(1)

1st data bus cycle information
 D63-D61: Access size
 000: Byte
 001: Word (2 bytes)
 010: Long (4 bytes)
 011: Quad (8 bytes)
 1xx: Burst (32 bytes)
 D25-D0: Address

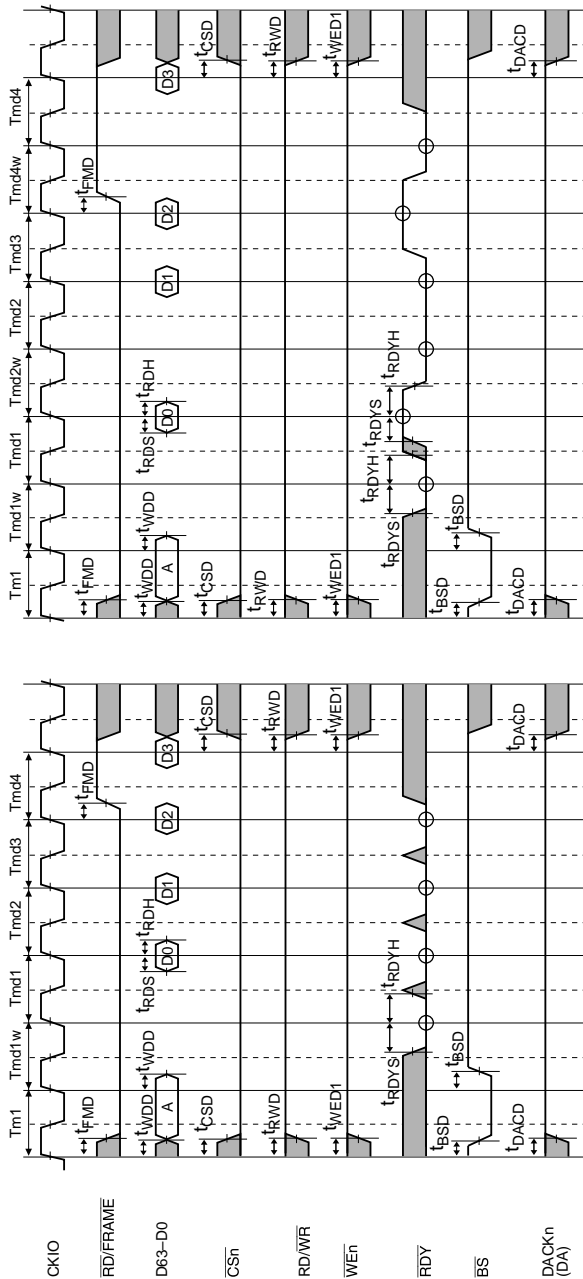
Notes:
 IO: DACK device
 SA: Single address DMA transfer
 DA: Dual address DMA transfer
 DACK set to active-high

Figure 22.56 MPX Basic Bus Cycle: Write

(1) 1st Data (No Wait)

(2) 1st Data (One Internal Wait)

(3) 1st Data (One Internal Wait + One External Wait)



(2)

1st data bus cycle information

D63-D61: Access size

000: Byte

001: Word (2 bytes)

010: Long (4 bytes)

011: Quad (8 bytes)

1xx: Burst (32 bytes)

D25-D0: Address

(1)

1st data bus cycle information

D63-D61: Access size

000: Byte

001: Word (2 bytes)

010: Long (4 bytes)

011: Quad (8 bytes)

1xx: Burst (32 bytes)

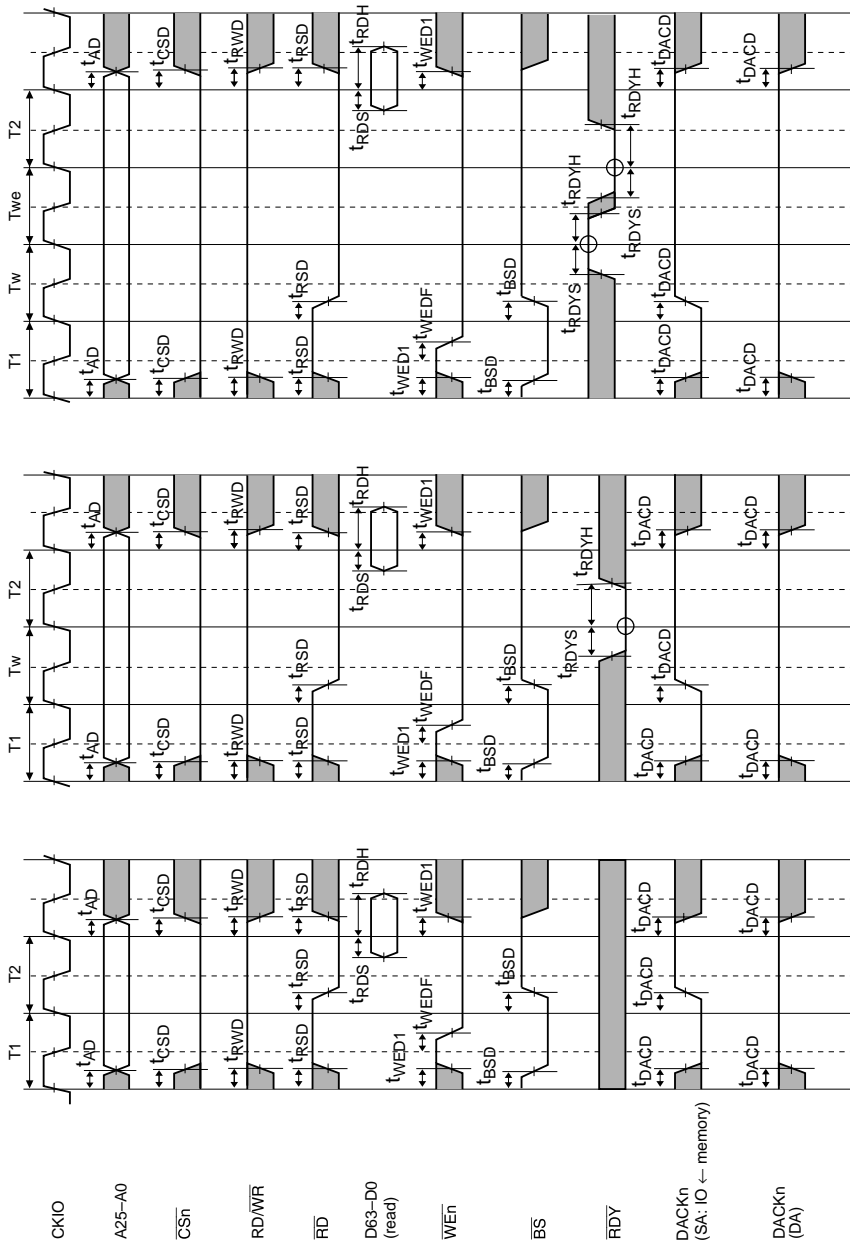
D25-D0: Address

Notes: IO: DACK device
 SA: Single address DMA transfer
 DA: Dual address DMA transfer
 DACK set to active-high

Figure 22.57 MPX Bus Cycle: Burst Read

(1) 1st Data (One Internal Wait), 2nd to 8th Data (One Internal Wait)

(2) 1st Data (One Internal Wait), 2nd to 4th Data (One Internal Wait + One External Wait)



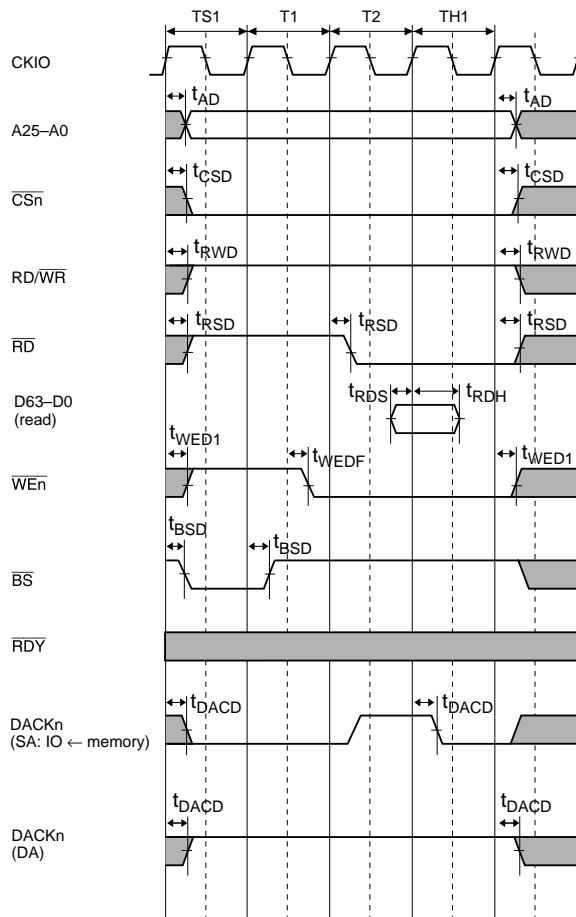
(3)

(2)

(1)

Notes: IO: DACK device
 SA: Single address DMA transfer
 DA: Dual address DMA transfer
 DACK set to active-high

Figure 22.59 Memory Byte Control SRAM Bus Cycles
(1) Basic Read Cycle (No Wait)
(2) Basic Read Cycle (One Internal Wait)
(3) Basic Read Cycle (One Internal Wait + One External Wait)



Notes: IO: DACK device
 SA: Single address DMA transfer
 DA: Dual address DMA transfer
 DACK set to active-high

Figure 22.60 Memory Byte Control SRAM Bus Cycle: Basic Read Cycle (No Wait, Address Setup/Hold Time Insertion, AnS[0] = 1, AnH[1:0] = 0 1)

22.3.4 Peripheral Module Signal Timing

Table 22.36 Peripheral Module Signal Timing (1)

Module	Item	Symbol	HD6417750 RBP240		HD6417750 RBP200		HD6417750 RF240		HD6417750 RF200		Unit	Figure
			*2		*2		*2		*2			
			Min	Max	Min	Max	Min	Max	Min	Max		
TMU, RTC	Timer clock pulse width (high)	t_{TCLKWH}	4	—	4	—	4	—	4	—	Pcyc*1	22.61
	Timer clock pulse width (low)	t_{TCLKWL}	4	—	4	—	4	—	4	—	Pcyc*1	22.61
	Timer clock rise time	t_{TCLKr}	—	0.8	—	0.8	—	0.8	—	0.8	Pcyc*1	22.61
	Timer clock fall time	t_{TCLKf}	—	0.8	—	0.8	—	0.8	—	0.8	Pcyc*1	22.61
	Oscillation settling time	t_{ROSC}	—	3	—	3	—	3	—	3	s	22.62
SCI	Input clock cycle (asynchronous)	t_{Syc}	4	—	4	—	4	—	4	—	Pcyc*1	22.63
	Input clock cycle (synchronous)	t_{Syc}	6	—	6	—	6	—	6	—	Pcyc*1	22.63
	Input clock pulse width	t_{SCKW}	0.4	0.6	0.4	0.6	0.4	0.6	0.4	0.6	t_{Syc}	22.63
	Input clock rise time	t_{SCKr}	—	0.8	—	0.8	—	0.8	—	0.8	Pcyc*1	22.63
	Input clock fall time	t_{SCKf}	—	0.8	—	0.8	—	0.8	—	0.8	Pcyc*1	22.63
	Transfer data delay time	t_{TXD}	1.5	5.3	1.5	6	1.5	6	1.5	6	ns	22.64
	Receive data setup time (synchronous)	t_{RXS}	16	—	16	—	16	—	16	—	ns	22.64
Receive data hold time (synchronous)	t_{RXH}	16	—	16	—	16	—	16	—	ns	22.64	

Module	Item	Symbol	HD6417750 RBP240		HD6417750 RBP200		HD6417750 RF240		HD6417750 RF200		Unit	Figure	
			Min	Max	Min	Max	Min	Max	Min	Max			
I/O ports	Output data delay time	t_{PORTD}	1.5	5.3	1.5	6	1.5	6	1.5	6	ns	22.65	
	Input data setup time	t_{PORTS}	2	—	2.5	—	3.5	—	3.5	—	ns	22.65	
	Input data hold time	t_{PORTH}	1.5	—	1.5	—	1.5	—	1.5	—	ns	22.65	
DMAC	\overline{DREQn} setup time	t_{DRQS}	2	—	2.5	—	3.5	—	3.5	—	ns	22.66	
	\overline{DREQn} hold time	t_{DRQH}	1.5	—	1.5	—	1.5	—	1.5	—	ns	22.66	
	DRAKn delay time	t_{DRAKD}	1.5	5.3	1.5	6	1.5	6	1.5	6	ns	22.66	
INTC	NMI pulse width (high)	t_{NMIH}	5	—	5	—	5	—	5	—	t_{cyc}	22.71	Normal or sleep mode
			30	—	30	—	30	—	30	—	ns	22.71	Standby mode
	NMI pulse width (low)	t_{NMIL}	5	—	5	—	5	—	5	—	t_{cyc}	22.71	Normal or sleep mode
			30	—	30	—	30	—	30	—	ns	22.71	Standby mode
H-UDI	Input clock cycle	t_{TCKcyc}	50	—	50	—	50	—	50	—	ns	22.67	
	Input clock pulse width (high)	t_{TCKH}	15	—	15	—	15	—	15	—	ns	22.67	
	Input clock pulse width (low)	t_{TCKL}	15	—	15	—	15	—	15	—	ns	22.67	
	Input clock rise time	t_{TCKr}	—	10	—	10	—	10	—	10	ns	22.67	
	Input clock fall time	t_{TCKf}	—	10	—	10	—	10	—	10	ns	22.67	
	ASEBRK setup time	$t_{ASEBRKS}$	10	—	10	—	10	—	10	—	t_{cyc}	22.68	
	ASEBRK hold time	$t_{ASEBRKH}$	10	—	10	—	10	—	10	—	t_{cyc}	22.68	
	TDI/TMS setup time	t_{TDIS}	15	—	15	—	15	—	15	—	ns	22.69	
	TDI/TMS hold time	t_{TDIH}	15	—	15	—	15	—	15	—	ns	22.69	
	TDO delay time	t_{TDO}	0	10	0	10	0	10	0	10	ns	22.69	
ASE-PINBRK pulse width	t_{PINBRK}	2	—	2	—	2	—	2	—	P_{cyc}^{*1}	22.70		

Notes: *1 P_{cyc} : P clock cycles

*2 $V_{DDQ} = 3.0$ to 3.6 V, $V_{DD} = 1.5$ V, $T_a = -20$ to $+75^\circ\text{C}$, $C_L = 30$ pF, PLL2 on

Table 22.36 Peripheral Module Signal Timing (2)

			HD6417750 SF167		HD6417750 SF167I		HD6417750 SBP200			
			HD6417750 SVF133		HD6417750 SF200		HD6417750 SBP200			
			*2		*3		*4			
Module	Item	Symbol	Min	Max	Min	Max	Min	Max	Unit	Figure
TMU, RTC	Timer clock pulse width (high)	t_{TCLKWH}	4	—	4	—	4	—	Pcyc ^{*1}	22.61
	Timer clock pulse width (low)	t_{TCLKWL}	4	—	4	—	4	—	Pcyc ^{*1}	22.61
	Timer clock rise time	t_{TCLKr}	—	0.8	—	0.8	—	0.8	Pcyc ^{*1}	22.61
	Timer clock fall time	t_{TCLKf}	—	0.8	—	0.8	—	0.8	Pcyc ^{*1}	22.61
	Oscillation settling time	t_{ROSC}	—	3	—	3	—	3	s	22.62
SCI	Input clock cycle (asynchronous)	t_{Scyc}	4	—	4	—	4	—	Pcyc ^{*1}	22.63
	Input clock cycle (synchronous)	t_{Scyc}	6	—	6	—	6	—	Pcyc ^{*1}	22.63
	Input clock pulse width	t_{SCKW}	0.4	0.6	0.4	0.6	0.4	0.6	t_{Scyc}	22.63
	Input clock rise time	t_{SCKr}	—	0.8	—	0.8	—	0.8	Pcyc ^{*1}	22.63
	Input clock fall time	t_{SCKf}	—	0.8	—	0.8	—	0.8	Pcyc ^{*1}	22.63
	Transfer data delay time	t_{TXD}	1.5	10	1.5	8	1.5	6	ns	22.64
	Receive data setup time (synchronous)	t_{RXS}	16	—	16	—	16	—	ns	22.64
	Receive data hold time (synchronous)	t_{RXH}	16	—	16	—	16	—	ns	22.64
I/O ports	Output data delay time	t_{PORTD}	1.5	10	1.5	8	1.5	6	ns	22.65
	Input data setup time	t_{PORTS}	3.5	—	3.5	—	3	—	ns	22.65
	Input data hold time	t_{PORTH}	1.5	—	1.5	—	1.5	—	ns	22.65

HD6417750
SF167

HD6417750
SVF133

HD6417750
SF167I

HD6417750
SVBT133

HD6417750
SF200

HD6417750
SBP200

*2

*3

*4

Module	Item	Symbol	*2		*3		*4		Unit	Figure	
			Min	Max	Min	Max	Min	Max			
DMAC	$\overline{\text{DREQn}}$ setup time	t_{DRQS}	3.5	—	3.5	—	3	—	ns	22.66	
	$\overline{\text{DREQn}}$ hold time	t_{DRQH}	1.5	—	1.5	—	1.5	—	ns	22.66	
	DRAKn delay time	t_{DRAKD}	1.5	10	1.5	8	1.5	6	ns	22.66	
INTC	NMI pulse width (high)	t_{NMIH}	5	—	5	—	5	—	t_{cyc}	22.71	Normal or sleep mode
			30	—	30	—	30	—	ns	22.71	Standby mode
	NMI pulse width (low)	t_{NML}	5	—	5	—	5	—	t_{cyc}	22.71	Normal or sleep mode
			30	—	30	—	30	—	ns	22.71	Standby mode
H-UDI	Input clock cycle	t_{TCKcyc}	50	—	50	—	50	—	ns	22.67	
	Input clock pulse width (high)	t_{TCKH}	15	—	15	—	15	—	ns	22.67	
	Input clock pulse width (low)	t_{TCKL}	15	—	15	—	15	—	ns	22.67	
	Input clock rise time	t_{TCKr}	—	10	—	10	—	10	ns	22.67	
	Input clock fall time	t_{TCKf}	—	10	—	10	—	10	ns	22.67	
	ASEBRK setup time	t_{ASEBRKS}	10	—	10	—	10	—	t_{cyc}	22.68	
	ASEBRK hold time	t_{ASEBRKH}	10	—	10	—	10	—	t_{cyc}	22.68	
	TDI/TMS setup time	t_{TDIS}	15	—	15	—	15	—	ns	22.69	
	TDI/TMS hold time	t_{TdH}	15	—	15	—	15	—	ns	22.69	
	TDO delay time	t_{TDO}	0	10	0	10	0	10	ns	22.69	
ASE-PINBRK pulse width	t_{PINBRK}	2	—	2	—	2	—	P_{cyc}^{*1}	22.70		

Notes: *1 P_{cyc} : P clock cycles

*2 $V_{\text{DDQ}} = 3.0$ to 3.6 V, $V_{\text{DD}} = \text{typ. } 1.5$ V, $T_a = -20$ to $+75^\circ\text{C}$, $C_L = 30$ pF, PLL2 on

*3 $V_{\text{DDQ}} = 3.0$ to 3.6 V, $V_{\text{DD}} = \text{typ. } 1.8$ V, $T_a = -20$ to $+75^\circ\text{C}$, $C_L = 30$ pF, PLL2 on (HD6417750SF167, HD6417750SF200)

$V_{\text{DDQ}} = 3.0$ to 3.6 V, $V_{\text{DD}} = \text{typ. } 1.8$ V, $T_a = -40$ to $+85^\circ\text{C}$, $C_L = 30$ pF, PLL2 on (HD6417750SF167I)

*4 $V_{\text{DDQ}} = 3.0$ to 3.6 V, $V_{\text{DD}} = \text{typ. } 1.8$ V, $T_a = -20$ to $+75^\circ\text{C}$, $C_L = 30$ pF, PLL2 on

Table 22.36 Peripheral Module Signal Timing (3)

				HD6417750 F167		HD6417750 F167I		HD6417750 BP200M			
				HD6417750 VF128		HD6417750 F167I		HD6417750 BP200M			
				*2		*3		*4			
Module	Item	Symbol	Min	Max	Min	Max	Min	Max	Unit	Figure	
TMU, RTC	Timer clock pulse width (high)	t_{TCLKWH}	4	—	4	—	4	—	Pcyc ^{*1}	22.61	
	Timer clock pulse width (low)	t_{TCLKWL}	4	—	4	—	4	—	Pcyc ^{*1}	22.61	
	Timer clock rise time	t_{TCLKr}	—	0.8	—	0.8	—	0.8	Pcyc ^{*1}	22.61	
	Timer clock fall time	t_{TCLKf}	—	0.8	—	0.8	—	0.8	Pcyc ^{*1}	22.61	
	Oscillation settling time	t_{ROSC}	—	3	—	3	—	3	s	22.62	
SCI	Input clock cycle (asynchronous)	t_{Syc}	4	—	4	—	4	—	Pcyc ^{*1}	22.63	
	Input clock cycle (synchronous)	t_{Syc}	6	—	6	—	6	—	Pcyc ^{*1}	22.63	
	Input clock pulse width	t_{SCKW}	0.4	0.6	0.4	0.6	0.4	0.6	t_{Syc}	22.63	
	Input clock rise time	t_{SCKr}	—	0.8	—	0.8	—	0.8	Pcyc ^{*1}	22.63	
	Input clock fall time	t_{SCKf}	—	0.8	—	0.8	—	0.8	Pcyc ^{*1}	22.63	
	Transfer data delay time	t_{TXD}	1.3	10	1.3	8	1.2	6	ns	22.64	
	Receive data setup time (synchronous)	t_{RXS}	16	—	16	—	16	—	ns	22.64	
	Receive data hold time (synchronous)	t_{RXH}	16	—	16	—	16	—	ns	22.64	
I/O ports	Output data delay time	t_{PORTD}	0.5	10	0.5	8	0.5	6	ns	22.65	
	Input data setup time	t_{PORTS}	3.5	—	3.5	—	3	—	ns	22.65	
	Input data hold time	t_{PORTH}	1.5	—	1.5	—	1.5	—	ns	22.65	

HD6417750
F167

HD6417750
VF128

HD6417750
F167I

HD6417750
BP200M

*2

*3

*4

Module	Item	Symbol	*2		*3		*4		Unit	Figure	
			Min	Max	Min	Max	Min	Max			
DMAC	DREQn setup time	t_{DRGS}	3.5	—	3.5	—	3	—	ns	22.66	
	DREQn hold time	t_{DRQH}	1.5	—	1.5	—	1.5	—	ns	22.66	
	DRAKn delay time	t_{DRAKD}	1.0	10	1.0	8	1.0	6	ns	22.66	
INTC	NMI pulse width (high)	t_{NMIH}	5	—	5	—	5	—	t_{cyc}	22.71	Normal or sleep mode
			30	—	30	—	30	—	ns	22.71	Standby mode
	NMI pulse width (low)	t_{NMIL}	5	—	5	—	5	—	t_{cyc}	22.71	Normal or sleep mode
			30	—	30	—	30	—	ns	22.71	Standby mode
H-UDI	Input clock cycle	t_{TCKcyc}	50	—	50	—	50	—	ns	22.67	
	Input clock pulse width (high)	t_{TCKH}	15	—	15	—	15	—	ns	22.67	
	Input clock pulse width (low)	t_{TCKL}	15	—	15	—	15	—	ns	22.67	
	Input clock rise time	t_{TCKr}	—	10	—	10	—	10	ns	22.67	
	Input clock fall time	t_{TCKf}	—	10	—	10	—	10	ns	22.67	
	ASEBRK setup time	$t_{ASEBRKS}$	10	—	10	—	10	—	t_{cyc}	22.68	
	ASEBRK hold time	$t_{ASEBRKH}$	10	—	10	—	10	—	t_{cyc}	22.68	
	TDI/TMS setup time	t_{TDS}	15	—	15	—	15	—	ns	22.69	
	TDI/TMS hold time	t_{TDIH}	15	—	15	—	15	—	ns	22.69	
	TDO delay time	t_{TDO}	0	10	0	10	0	10	ns	22.69	
	ASE-PINBRK pulse width	t_{PINBRK}	2	—	2	—	2	—	P_{cyc}^{*1}	22.70	

Notes: *1 P_{cyc} : P clock cycles

*2 $V_{DDQ} = 3.0$ to 3.6 V, $V_{DD} = \text{typ. } 1.5$ V, $T_a = -20$ to $+75^\circ\text{C}$, $C_L = 30$ pF, PLL2 on

*3 $V_{DDQ} = 3.0$ to 3.6 V, $V_{DD} = \text{typ. } 1.8$ V, $T_a = -20$ to $+75^\circ\text{C}$, $C_L = 30$ pF, PLL2 on (HD6417750F167)

$V_{DDQ} = 3.0$ to 3.6 V, $V_{DD} = \text{typ. } 1.8$ V, $T_a = -40$ to $+85^\circ\text{C}$, $C_L = 30$ pF, PLL2 on (HD6417750F167I)

*4 $V_{DDQ} = 3.0$ to 3.6 V, $V_{DD} = \text{typ. } 1.8$ V, $T_a = -20$ to $+75^\circ\text{C}$, $C_L = 30$ pF, PLL2 on

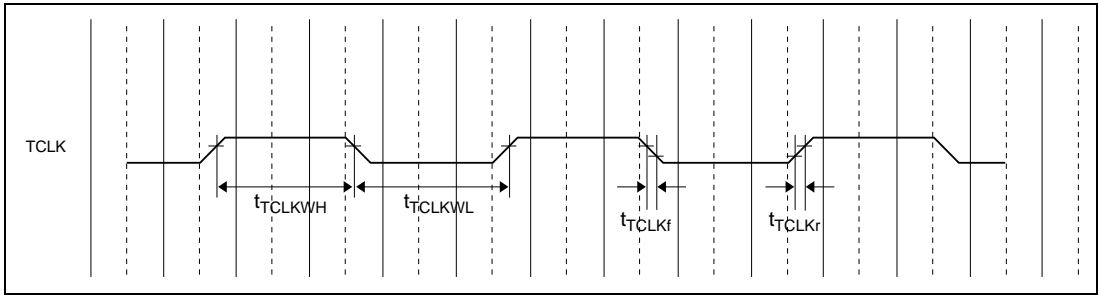


Figure 22.61 TCLK Input Timing

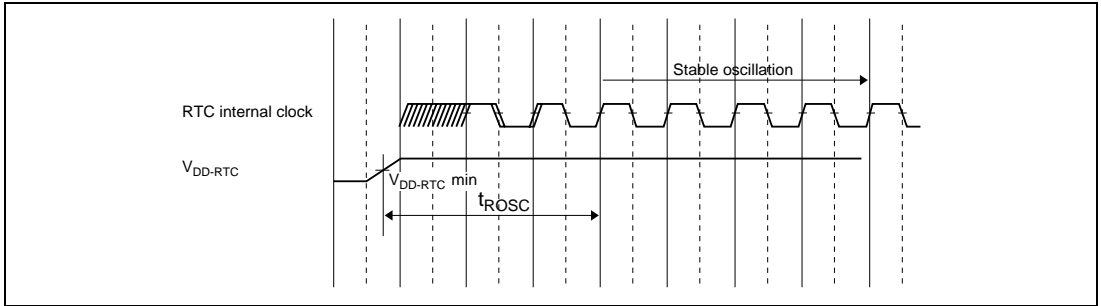


Figure 22.62 RTC Oscillation Settling Time at Power-On

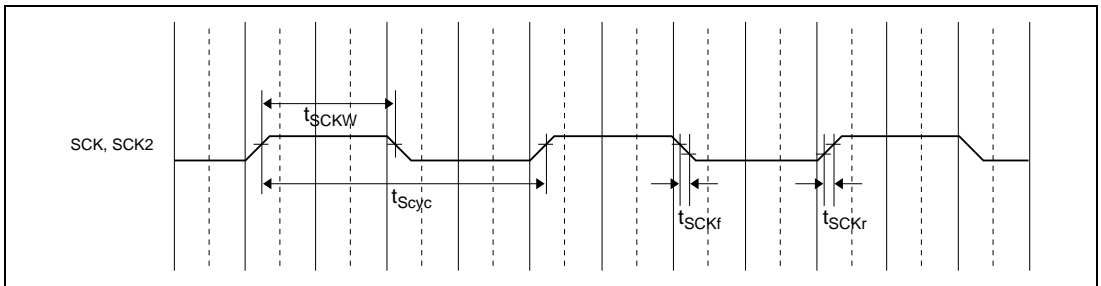


Figure 22.63 SCK Input Clock Timing

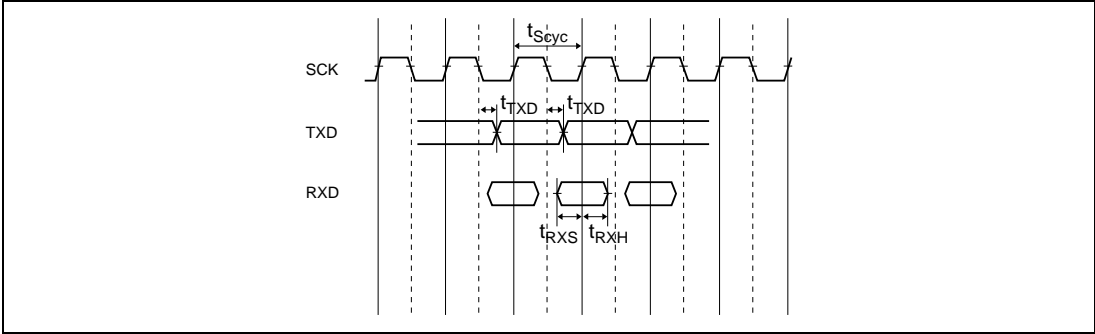


Figure 22.64 SCI I/O Synchronous Mode Clock Timing

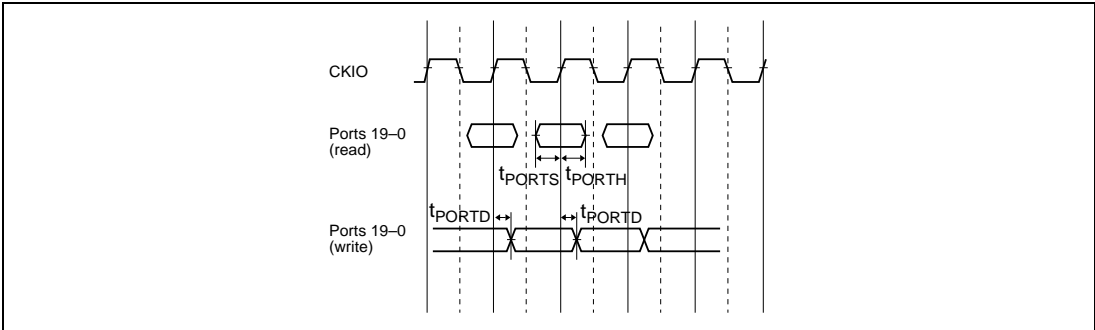


Figure 22.65 I/O Port Input/Output Timing

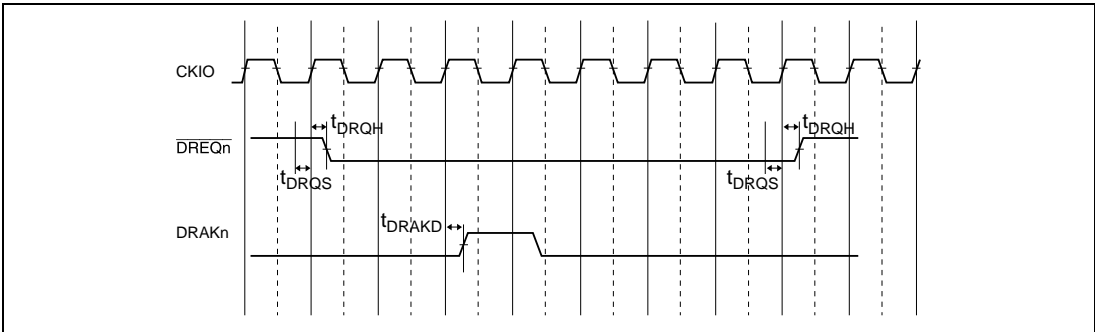


Figure 22.66(a) $\overline{\text{DREQ}}$ /DRAK Timing

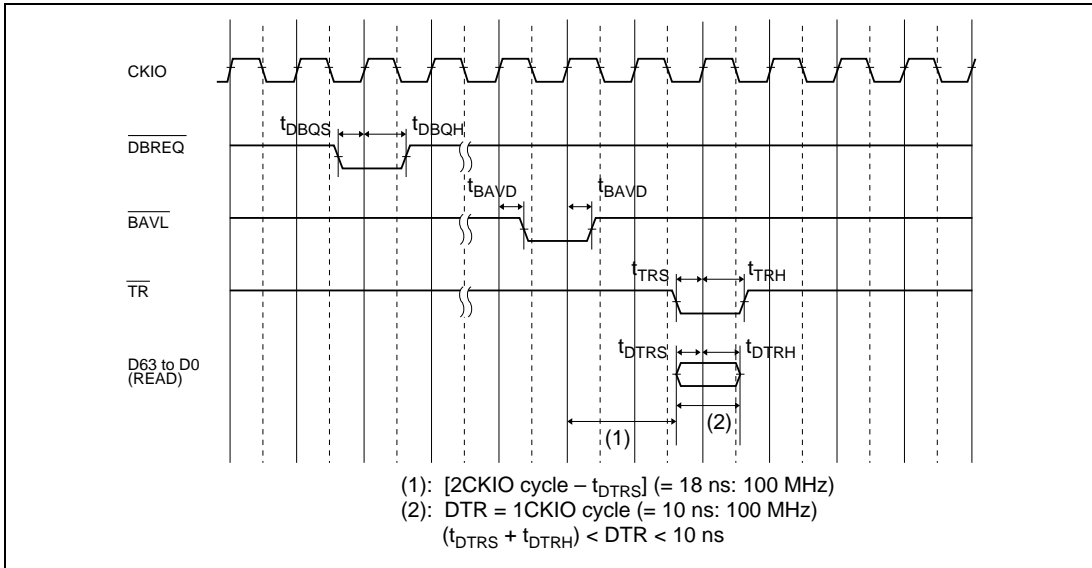


Figure 22.66(b) $\overline{DBREQ}/\overline{TR}$ Input Timing and \overline{BAVL} Output Timing

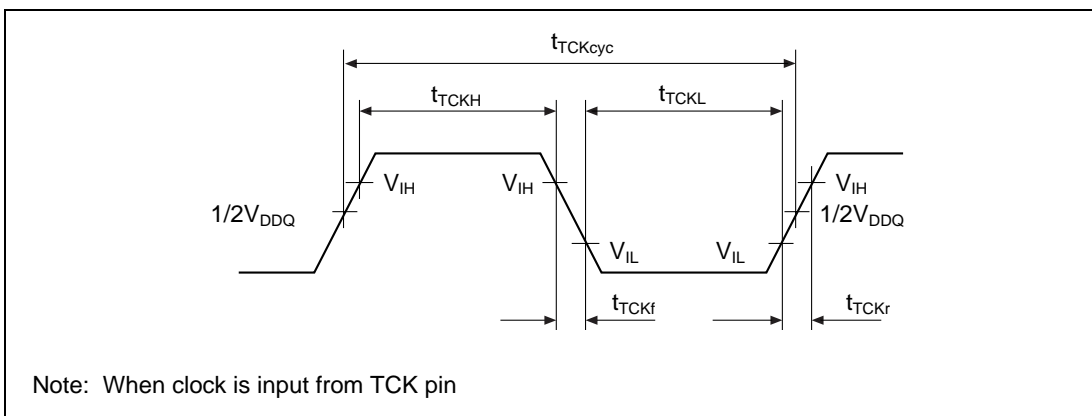


Figure 22.67 TCK Input Timing

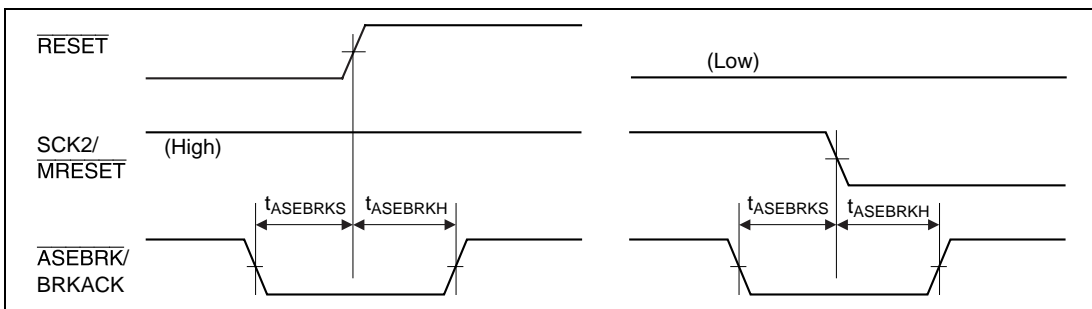


Figure 22.68 \overline{RESET} Hold Timing

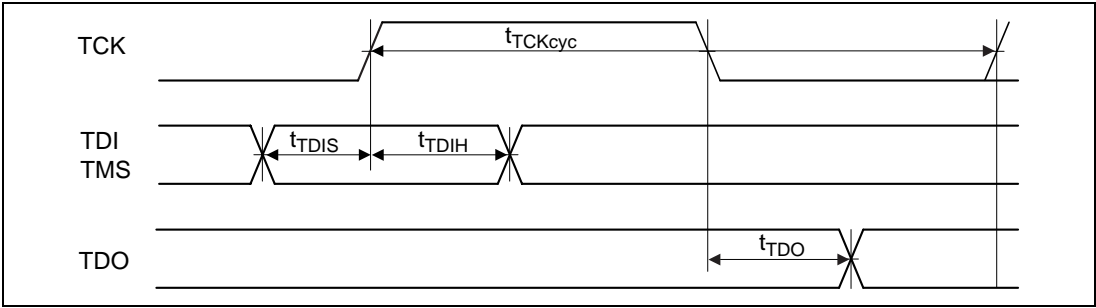


Figure 22.69 H-UDI Data Transfer Timing

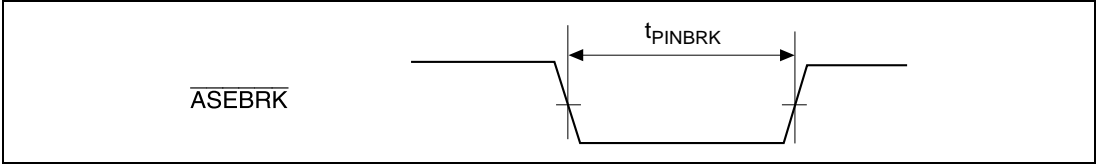


Figure 22.70 Pin Break Timing

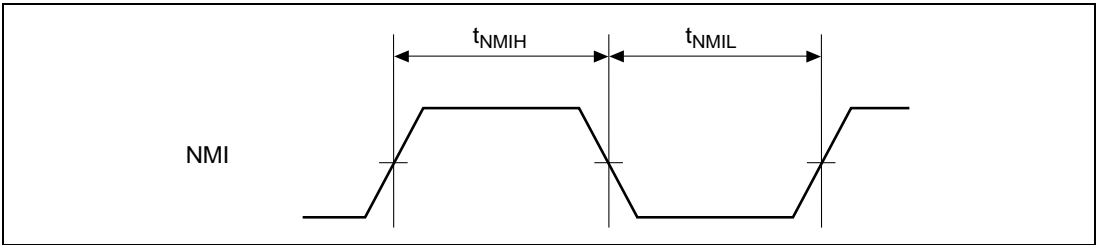


Figure 22.71 NMI Input Timing

22.3.5 AC Characteristic Test Conditions

The AC characteristic test conditions are as follows:

- Input/output signal reference level: 1.5 V ($V_{DDQ} = 3.3 \pm 0.3$ V)
- Input pulse level: $V_{SSQ} - 3.0$ V ($V_{SSQ} - V_{DDQ}$ for $\overline{\text{RESET}}$, $\overline{\text{TRST}}$, NMI, and $\overline{\text{ASEBRK/BRKACK}}$)
- Input rise/fall time: 1 ns

The output load circuit is shown in figure 22.72.

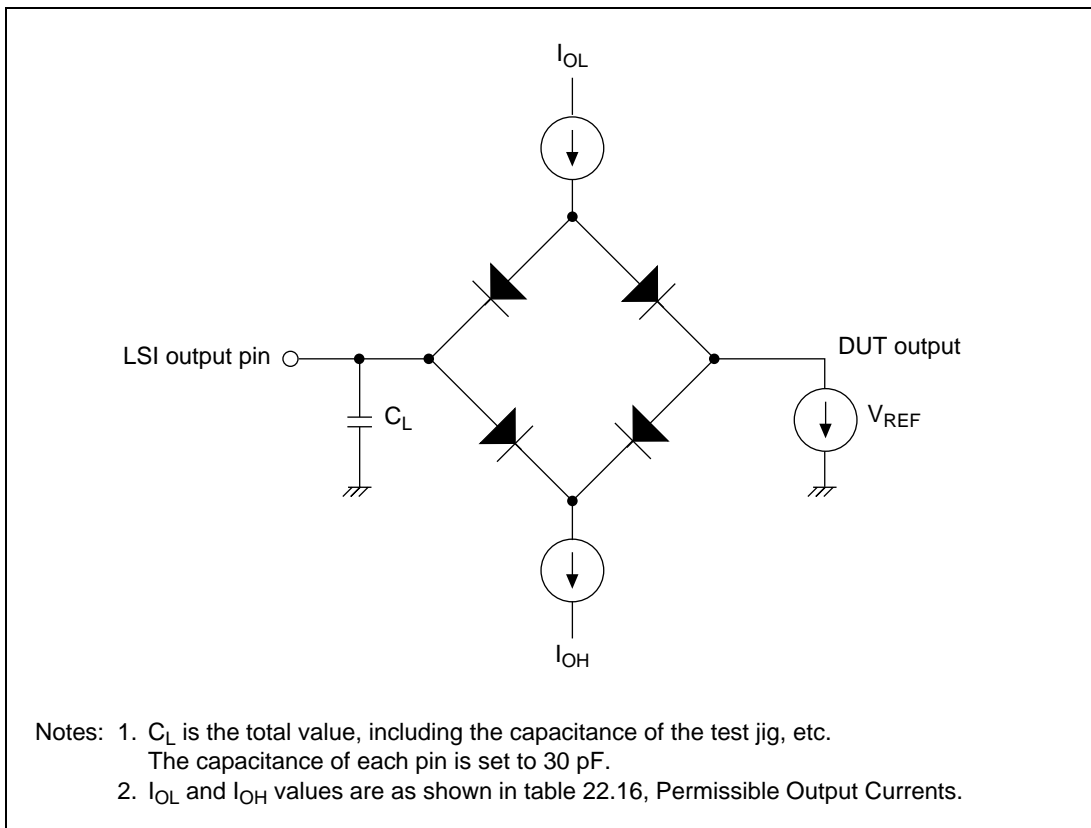


Figure 22.72 Output Load Circuit

22.3.6 Delay Time Variation Due to Load Capacitance

A graph (reference data) of the variation in delay time when a load capacitance greater than that stipulated (30 pF) is connected to the SH7750 Series' pins is shown below. The graph shown in figure 22.73 should be taken into consideration if the stipulated capacitance is exceeded when connecting an external device.

The graph will not be linear if the connected load capacitance exceeds the range shown in figure 22.73.

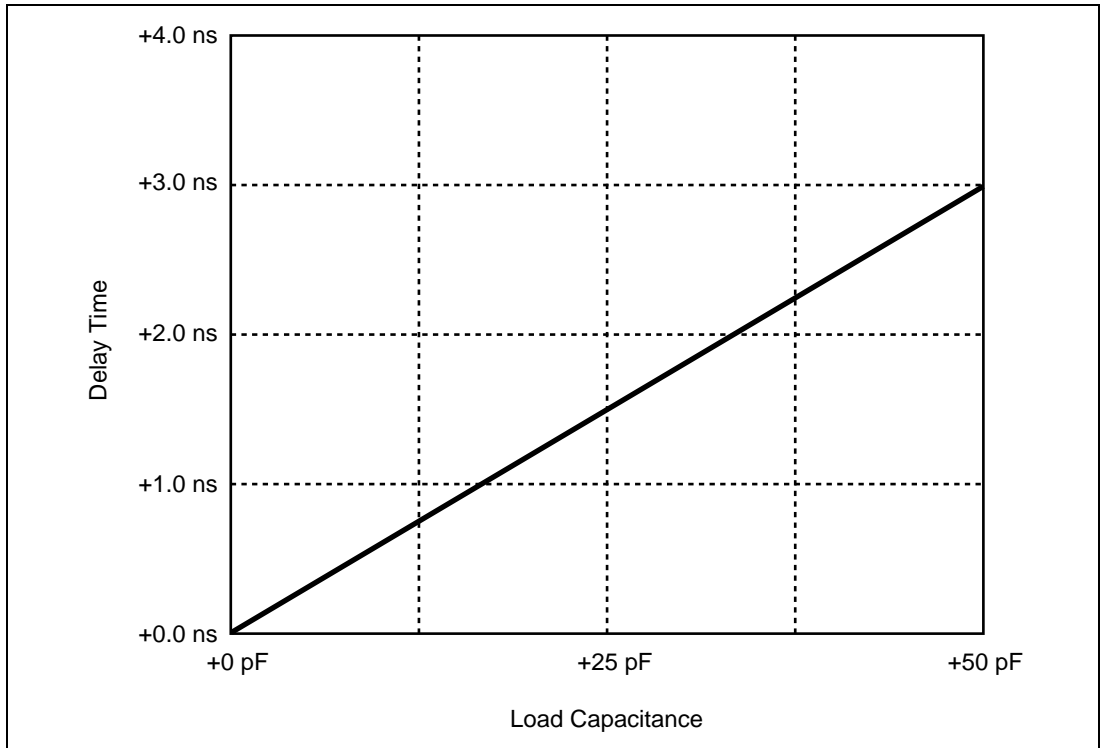


Figure 22.73 Load Capacitance vs. Delay Time

Appendix A Address List

Table A.1 Address List

Module	Register	P4 Address	Area 7 Address*1	Size	Power-On Reset	Manual Reset	Sleep	Standby	Synchronization Clock
CCN	PTEH	H'FF00 0000	H'1F00 0000	32	Undefined	Undefined	Held	Held	Iclk
CCN	PTEL	H'FF00 0004	H'1F00 0004	32	Undefined	Undefined	Held	Held	Iclk
CCN	TTB	H'FF00 0008	H'1F00 0008	32	Undefined	Undefined	Held	Held	Iclk
CCN	TEA	H'FF00 000C	H'1F00 000C	32	Undefined	Held	Held	Held	Iclk
CCN	MMUCR	H'FF00 0010	H'1F00 0010	32	H'0000 0000	H'0000 0000	Held	Held	Iclk
CCN	BASRA	H'FF00 0014	H'1F00 0014	8	Undefined	Held	Held	Held	Iclk
CCN	BASRB	H'FF00 0018	H'1F00 0018	8	Undefined	Held	Held	Held	Iclk
CCN	CCR	H'FF00 001C	H'1F00 001C	32	H'0000 0000	H'0000 0000	Held	Held	Iclk
CCN	TRA	H'FF00 0020	H'1F00 0020	32	Undefined	Undefined	Held	Held	Iclk
CCN	EXPEVT	H'FF00 0024	H'1F00 0024	32	H'0000 0000	H'0000 0020	Held	Held	Iclk
CCN	INTEVT	H'FF00 0028	H'1F00 0028	32	Undefined	Undefined	Held	Held	Iclk
CCN	PTEA	H'FF00 0034	H'1F00 0034	32	Undefined	Undefined	Held	Held	Iclk
CCN	QACR0	H'FF00 0038	H'1F00 0038	32	Undefined	Undefined	Held	Held	Iclk
CCN	QACR1	H'FF00 003C	H'1F00 003C	32	Undefined	Undefined	Held	Held	Iclk
UBC	BARA	H'FF20 0000	H'1F20 0000	32	Undefined	Held	Held	Held	Iclk
UBC	BAMRA	H'FF20 0004	H'1F20 0004	8	Undefined	Held	Held	Held	Iclk
UBC	BBRA	H'FF20 0008	H'1F20 0008	16	H'0000	Held	Held	Held	Iclk
UBC	BARB	H'FF20 000C	H'1F20 000C	32	Undefined	Held	Held	Held	Iclk
UBC	BAMRB	H'FF20 0010	H'1F20 0010	8	Undefined	Held	Held	Held	Iclk
UBC	BBRB	H'FF20 0014	H'1F20 0014	16	H'0000	Held	Held	Held	Iclk
UBC	BDRB	H'FF20 0018	H'1F20 0018	32	Undefined	Held	Held	Held	Iclk
UBC	BDMRB	H'FF20 001C	H'1F20 001C	32	Undefined	Held	Held	Held	Iclk
UBC	BRCR	H'FF20 0020	H'1F20 0020	16	H'0000*2	Held	Held	Held	Iclk
BSC	BCR1	H'FF80 0000	H'1F80 0000	32	H'0000 0000*2	Held	Held	Held	Bclk
BSC	BCR2	H'FF80 0004	H'1F80 0004	16	H'3FFC*2	Held	Held	Held	Bclk
BSC	BCR3*5	H'FF80 0050	H'1F80 0050	16	H'0000	Held	Held	Held	Bclk
BSC	BCR4*5	H'FE0A00F0	H'1E0A00F0	32	H'0000 0000	Held	Held	Held	Bclk
BSC	WCR1	H'FF80 0008	H'1F80 0008	32	H'7777 7777	Held	Held	Held	Bclk
BSC	WCR2	H'FF80 000C	H'1F80 000C	32	H'FFFE EFFF	Held	Held	Held	Bclk

Table A.1 Address List (cont)

Module	Register	P4 Address	Area 7 Address*1	Size	Power-On Reset	Manual Reset	Sleep	Standby	Synchronization Clock
BSC	WCR3	H'FF80 0010	H'1F80 0010	32	H'0777 7777	Held	Held	Held	Bclk
BSC	MCR	H'FF80 0014	H'1F80 0014	32	H'0000 0000	Held	Held	Held	Bclk
BSC	PCR	H'FF80 0018	H'1F80 0018	16	H'0000	Held	Held	Held	Bclk
BSC	RTCSR	H'FF80 001C	H'1F80 001C	16	H'0000	Held	Held	Held	Bclk
BSC	RTCNT	H'FF80 0020	H'1F80 0020	16	H'0000	Held	Held	Held	Bclk
BSC	RTCOR	H'FF80 0024	H'1F80 0024	16	H'0000	Held	Held	Held	Bclk
BSC	RFCR	H'FF80 0028	H'1F80 0028	16	H'0000	Held	Held	Held	Bclk
BSC	PCTRA	H'FF80 002C	H'1F80 002C	32	H'0000 0000	Held	Held	Held	Bclk
BSC	PDTRA	H'FF80 0030	H'1F80 0030	16	Undefined	Held	Held	Held	Bclk
BSC	PCTRB	H'FF80 0040	H'1F80 0040	32	H'0000 0000	Held	Held	Held	Bclk
BSC	PDTRB	H'FF80 0044	H'1F80 0044	16	Undefined	Held	Held	Held	Bclk
BSC	GPIOIC	H'FF80 0048	H'1F80 0048	16	H'0000 0000	Held	Held	Held	Bclk
BSC	SDMR2	H'FF90 xxxx	H'1F90 xxxx	8	Write-only				Bclk
BSC	SDMR3	H'FF94 xxxx	H'1F94 xxxx	8					Bclk
DMAC	SAR0	H'FFA0 0000	H'1FA0 0000	32	Undefined	Undefined	Held	Held	Bclk
DMAC	DAR0	H'FFA0 0004	H'1FA0 0004	32	Undefined	Undefined	Held	Held	Bclk
DMAC	DMATCR0	H'FFA0 0008	H'1FA0 0008	32	Undefined	Undefined	Held	Held	Bclk
DMAC	CHCR0	H'FFA0 000C	H'1FA0 000C	32	H'0000 0000	H'0000 0000	Held	Held	Bclk
DMAC	SAR1	H'FFA0 0010	H'1FA0 0010	32	Undefined	Undefined	Held	Held	Bclk
DMAC	DAR1	H'FFA0 0014	H'1FA0 0014	32	Undefined	Undefined	Held	Held	Bclk
DMAC	DMATCR1	H'FFA0 0018	H'1FA0 0018	32	Undefined	Undefined	Held	Held	Bclk
DMAC	CHCR1	H'FFA0 001C	H'1FA0 001C	32	H'0000 0000	H'0000 0000	Held	Held	Bclk
DMAC	SAR2	H'FFA0 0020	H'1FA0 0020	32	Undefined	Undefined	Held	Held	Bclk
DMAC	DAR2	H'FFA0 0024	H'1FA0 0024	32	Undefined	Undefined	Held	Held	Bclk
DMAC	DMATCR2	H'FFA0 0028	H'1FA0 0028	32	Undefined	Undefined	Held	Held	Bclk
DMAC	CHCR2	H'FFA0 002C	H'1FA0 002C	32	H'0000 0000	H'0000 0000	Held	Held	Bclk
DMAC	SAR3	H'FFA0 0030	H'1FA0 0030	32	Undefined	Undefined	Held	Held	Bclk
DMAC	DAR3	H'FFA0 0034	H'1FA0 0034	32	Undefined	Undefined	Held	Held	Bclk
DMAC	DMATCR3	H'FFA0 0038	H'1FA0 0038	32	Undefined	Undefined	Held	Held	Bclk
DMAC	CHCR3	H'FFA0 003C	H'1FA0 003C	32	H'0000 0000	H'0000 0000	Held	Held	Bclk
DMAC	DMAOR	H'FFA0 0040	H'1FA0 0040	32	H'0000 0000	H'0000 0000	Held	Held	Bclk

Table A.1 Address List (cont)

Module	Register	P4 Address	Area 7 Address*1	Size	Power-On Reset	Manual Reset	Sleep	Standby	Synchro- nization Clock
DMAC	SAR4*5	H'FFA0 0050	H'1FA0 0050	32	Undefined	Undefined	Held	Held	Bclk
DMAC	DAR4*5	H'FFA0 0054	H'1FA0 0054	32	Undefined	Undefined	Held	Held	Bclk
DMAC	DMATCR4*5	H'FFA0 0058	H'1FA0 0058	32	Undefined	Undefined	Held	Held	Bclk
DMAC	CHCR4*5	H'FFA0 005C	H'1FA0 005C	32	H'0000 0000	H'0000 0000	Held	Held	Bclk
DMAC	SAR5*5	H'FFA0 0060	H'1FA0 0060	32	Undefined	Undefined	Held	Held	Bclk
DMAC	DAR5*5	H'FFA0 0064	H'1FA0 0064	32	Undefined	Undefined	Held	Held	Bclk
DMAC	DMATCR5*5	H'FFA0 0068	H'1FA0 0068	32	Undefined	Undefined	Held	Held	Bclk
DMAC	CHCR5*5	H'FFA0 006C	H'1FA0 006C	32	H'0000 0000	H'0000 0000	Held	Held	Bclk
DMAC	SAR6*5	H'FFA0 0070	H'1FA0 0070	32	Undefined	Undefined	Held	Held	Bclk
DMAC	DAR6*5	H'FFA0 0074	H'1FA0 0074	32	Undefined	Undefined	Held	Held	Bclk
DMAC	DMATCR6*5	H'FFA0 0078	H'1FA0 0078	32	Undefined	Undefined	Held	Held	Bclk
DMAC	CHCR6*5	H'FFA0 007C	H'1FA0 007C	32	H'0000 0000	H'0000 0000	Held	Held	Bclk
DMAC	SAR7*5	H'FFA0 0080	H'1FA0 0080	32	Undefined	Undefined	Held	Held	Bclk
DMAC	DAR7*5	H'FFA0 0084	H'1FA0 0084	32	Undefined	Undefined	Held	Held	Bclk
DMAC	DMATCR7*5	H'FFA0 0088	H'1FA0 0088	32	Undefined	Undefined	Held	Held	Bclk
DMAC	CHCR7*5	H'FFA0 008C	H'1FA0 008C	32	H'0000 0000	H'0000 0000	Held	Held	Bclk
CPG	FRQCR	H'FFC0 0000	H'1FC0 0000	16	*2	Held	Held	Held	Pclk
CPG*6	STBCR	H'FFC0 0004	H'1FC0 0004	8	H'00	Held	Held	Held	Pclk
CPG*6	WTCNT	H'FFC0 0008	H'1FC0 0008	8/16*3	H'00	Held	Held	Held	Pclk
CPG*6	WTCSR	H'FFC0 000C	H'1FC0 000C	8/16*3	H'00	Held	Held	Held	Pclk
CPG*6	STBCR2	H'FFC0 0010	H'1FC0 0010	8	H'00	Held	Held	Held	Pclk
RTC	R64CNT	H'FFC8 0000	H'1FC8 0000	8	Held	Held	Held	Held	Pclk
RTC	RSECCNT	H'FFC8 0004	H'1FC8 0004	8	Held	Held	Held	Held	Pclk
RTC	RMINCNT	H'FFC8 0008	H'1FC8 0008	8	Held	Held	Held	Held	Pclk
RTC	RHRCNT	H'FFC8 000C	H'1FC8 000C	8	Held	Held	Held	Held	Pclk
RTC	RWKCNT	H'FFC8 0010	H'1FC8 0010	8	Held	Held	Held	Held	Pclk
RTC	RDAYCNT	H'FFC8 0014	H'1FC8 0014	8	Held	Held	Held	Held	Pclk
RTC	RMONCNT	H'FFC8 0018	H'1FC8 0018	8	Held	Held	Held	Held	Pclk
RTC	RYRCNT	H'FFC8 001C	H'1FC8 001C	16	Held	Held	Held	Held	Pclk
RTC	RSECAR	H'FFC8 0020	H'1FC8 0020	8	Held *2	Held	Held	Held	Pclk
RTC	RMINAR	H'FFC8 0024	H'1FC8 0024	8	Held *2	Held	Held	Held	Pclk

Table A.1 Address List (cont)

Module	Register	P4 Address	Area 7 Address*1	Size	Power-On Reset	Manual Reset	Sleep	Standby	Synchro- nization Clock
RTC	RHRAR	H'FFC8 0028	H'1FC8 0028	8	Held *2	Held	Held	Held	Pclk
RTC	RWKAR	H'FFC8 002C	H'1FC8 002C	8	Held *2	Held	Held	Held	Pclk
RTC	RDAYAR	H'FFC8 0030	H'1FC8 0030	8	Held *2	Held	Held	Held	Pclk
RTC	RMONAR	H'FFC8 0034	H'1FC8 0034	8	Held *2	Held	Held	Held	Pclk
RTC	RCR1	H'FFC8 0038	H'1FC8 0038	8	H'00*2	H'00*2	Held	Held	Pclk
RTC	RCR2	H'FFC8 003C	H'1FC8 003C	8	H'09*2	H'00*2	Held	Held	Pclk
RTC	RCR3*5	H'FFC8 0050	H'1FC8 0050	8	H'00	Held	Held	Held	Pclk
RTC	RYRAR*5	H'FFC8 0054	H'1FC8 0054	16	Undefined	Held	Held	Held	Pclk
INTC	ICR	H'FFD0 0000	H'1FD0 0000	16	H'0000*2	H'0000*2	Held	Held	Pclk
INTC	IPRA	H'FFD0 0004	H'1FD0 0004	16	H'0000	H'0000	Held	Held	Pclk
INTC	IPRB	H'FFD0 0008	H'1FD0 0008	16	H'0000	H'0000	Held	Held	Pclk
INTC	IPRC	H'FFD0 000C	H'1FD0 000C	16	H'0000	H'0000	Held	Held	Pclk
INTC	IPRD*4	H'FFD00010	H'1F000010	16	H'DA74	H'DA74	Held	Held	Pclk
INTC	INTPRI00 *5	H'FE08 0000	H'1E08 0000	32	H'0000 0000	Held	Held	Held	Pclk
INTC	INTREQ00 *5	H'FE08 0020	H'1E08 0020	32	H'0000 0000	Held	Held	Held	Pclk
INTC	INTMSK00 *5	H'FE08 0040	H'1E08 0040	32	H'0000 0300	Held	Held	Held	Pclk
INTC	INTMSKCL R00*5	H'FE08 0060	H'1E08 0060	32	Write-only				Pclk
CPG*6 *5	CLKSTP00 *5	H'FE0A 0000	H'1E0A 0000	32	H'0000 0000	Held	Held	Held	Pclk
CPG*6 *5	CLKSTPC LR00*5	H'FE0A 0008	H'1E0A 0008	32	Write-only				Pclk
TMU	TSTR2*5	H'FE10 0004	H'1E10 0004	8	H'00	Held	Held	Held	Pclk
TMU	TCOR3*5	H'FE10 0008	H'1E10 0008	32	H'FFFF FFFF	Held	Held	Held	Pclk
TMU	TCNT3*5	H'FE10 000C	H'1E10 000C	32	H'FFFF FFFF	Held	Held	Held	Pclk
TMU	TCR3*5	H'FE10 0010	H'1E10 0010	16	H'0000	Held	Held	Held	Pclk
TMU	TCOR4*5	H'FE10 0014	H'1E10 0014	32	H'FFFF FFFF	Held	Held	Held	Pclk
TMU	TCNT4*5	H'FE10 0018	H'1E10 0018	32	H'FFFF FFFF	Held	Held	Held	Pclk
TMU	TCR4*5	H'FE10 001C	H'1E10 001C	16	H'0000	Held	Held	Held	Pclk

Table A.1 Address List (cont)

Module	Register	P4 Address	Area 7 Address*1	Size	Power-On Reset	Manual Reset	Sleep	Standby	Synchronization Clock
TMU	TOCR	H'FFD8 0000	H'1FD8 0000	8	H'00	H'00	Held	Held	Pclk
TMU	TSTR	H'FFD8 0004	H'1FD8 0004	8	H'00	H'00	Held	H'00*2	Pclk
TMU	TCOR0	H'FFD8 0008	H'1FD8 0008	32	H'FFFF FFFF	H'FFFF FFFF	Held	Held	Pclk
TMU	TCNT0	H'FFD8 000C	H'1FD8 000C	32	H'FFFF FFFF	H'FFFF FFFF	Held	Held	Pclk
TMU	TCR0	H'FFD8 0010	H'1FD8 0010	16	H'0000	H'0000	Held	Held	Pclk
TMU	TCOR1	H'FFD8 0014	H'1FD8 0014	32	H'FFFF FFFF	H'FFFF FFFF	Held	Held	Pclk
TMU	TCNT1	H'FFD8 0018	H'1FD8 0018	32	H'FFFF FFFF	H'FFFF FFFF	Held	Held	Pclk
TMU	TCR1	H'FFD8 001C	H'1FD8 001C	16	H'0000	H'0000	Held	Held	Pclk
TMU	TCOR2	H'FFD8 0020	H'1FD8 0020	32	H'FFFF FFFF	H'FFFF FFFF	Held	Held	Pclk
TMU	TCNT2	H'FFD8 0024	H'1FD8 0024	32	H'FFFF FFFF	H'FFFF FFFF	Held	Held	Pclk
TMU	TCR2	H'FFD8 0028	H'1FD8 0028	16	H'0000	H'0000	Held	Held	Pclk
TMU	TCPR2	H'FFD8 002C	H'1FD8 002C	32	Held	Held	Held	Held	Pclk
SCI	SCSMR1	H'FFE0 0000	H'1FE0 0000	8	H'00	H'00	Held	H'00	Pclk
SCI	SCBRR1	H'FFE0 0004	H'1FE0 0004	8	H'FF	H'FF	Held	H'FF	Pclk
SCI	SCSCR1	H'FFE0 0008	H'1FE0 0008	8	H'00	H'00	Held	H'00	Pclk
SCI	SCTDR1	H'FFE0 000C	H'1FE0 000C	8	H'FF	H'FF	Held	H'FF	Pclk
SCI	SCSSR1	H'FFE0 0010	H'1FE0 0010	8	H'84	H'84	Held	H'84	Pclk
SCI	SCRDR1	H'FFE0 0014	H'1FE0 0014	8	H'00	H'00	Held	H'00	Pclk
SCI	SCSCMR1	H'FFE0 0018	H'1FE0 0018	8	H'00	H'00	Held	H'00	Pclk
SCI	SCSPTR1	H'FFE0 001C	H'1FE0 001C	8	H'00*2	H'00*2	Held	H'00*2	Pclk
SCIF	SCSMR2	H'FFE8 0000	H'1FE8 0000	16	H'0000	H'0000	Held	Held	Pclk
SCIF	SCBRR2	H'FFE8 0004	H'1FE8 0004	8	H'FF	H'FF	Held	Held	Pclk
SCIF	SCSCR2	H'FFE8 0008	H'1FE8 0008	16	H'0000	H'0000	Held	Held	Pclk
SCIF	SCFTDR2	H'FFE8 000C	H'1FE8 000C	8	Undefined	Undefined	Held	Held	Pclk
SCIF	SCFSR2	H'FFE8 0010	H'1FE8 0010	16	H'0060	H'0060	Held	Held	Pclk
SCIF	SCFRDR2	H'FFE8 0014	H'1FE8 0014	8	Undefined	Undefined	Held	Held	Pclk
SCIF	SCFCR2	H'FFE8 0018	H'1FE8 0018	16	H'0000	H'0000	Held	Held	Pclk
SCIF	SCFDR2	H'FFE8 001C	H'1FE8 001C	16	H'0000	H'0000	Held	Held	Pclk
SCIF	SCSPTR2	H'FFE8 0020	H'1FE8 0020	16	H'0000*2	H'0000*2	Held	Held	Pclk
SCIF	SCLSR2	H'FFE8 0024	H'1FE8 0024	16	H'0000	H'0000	Held	Held	Pclk

Table A.1 Address List (cont)

Module	Register	P4 Address	Area 7 Address* ¹	Size	Power-On Reset	Manual Reset	Sleep	Standby	Synchro- nization Clock
H-UDI	SDIR	H'FFF0 0000	H'1FF0 0000	16	H'FFFF* ²	Held	Held	Held	Pclk
H-UDI	SDDR	H'FFF0 0008	H'1FF0 0008	32	Undefined	Held	Held	Held	Pclk
H-UDI	SDINT* ⁵	H'FFF0 0014	H'1FF0 0014	16	H'0000	Held	Held	Held	Pclk

Notes: *1 With control registers, the above addresses in the physical page number field can be accessed by means of a TLB setting. When these addresses are referenced directly without using the TLB, operations are limited.

*2 Includes undefined bits. See the descriptions of the individual modules.

*3 Use word-size access when writing. Perform the write with the upper byte set to H'5A or H'A5, respectively. Byte- and longword-size writes cannot be used.

Use byte-size access when reading.

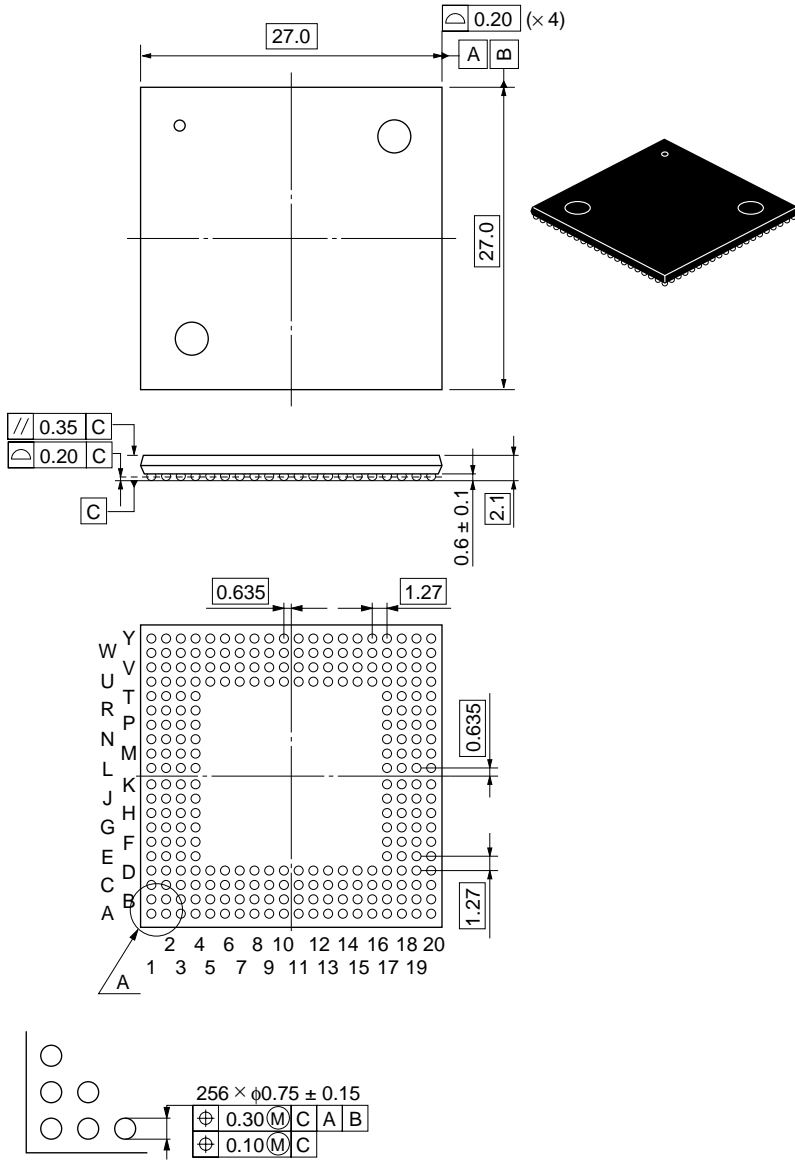
*4 SH7750S, SH7750R only

*5 SH7750R only

*6 Includes power-down states

Appendix B Package Dimensions

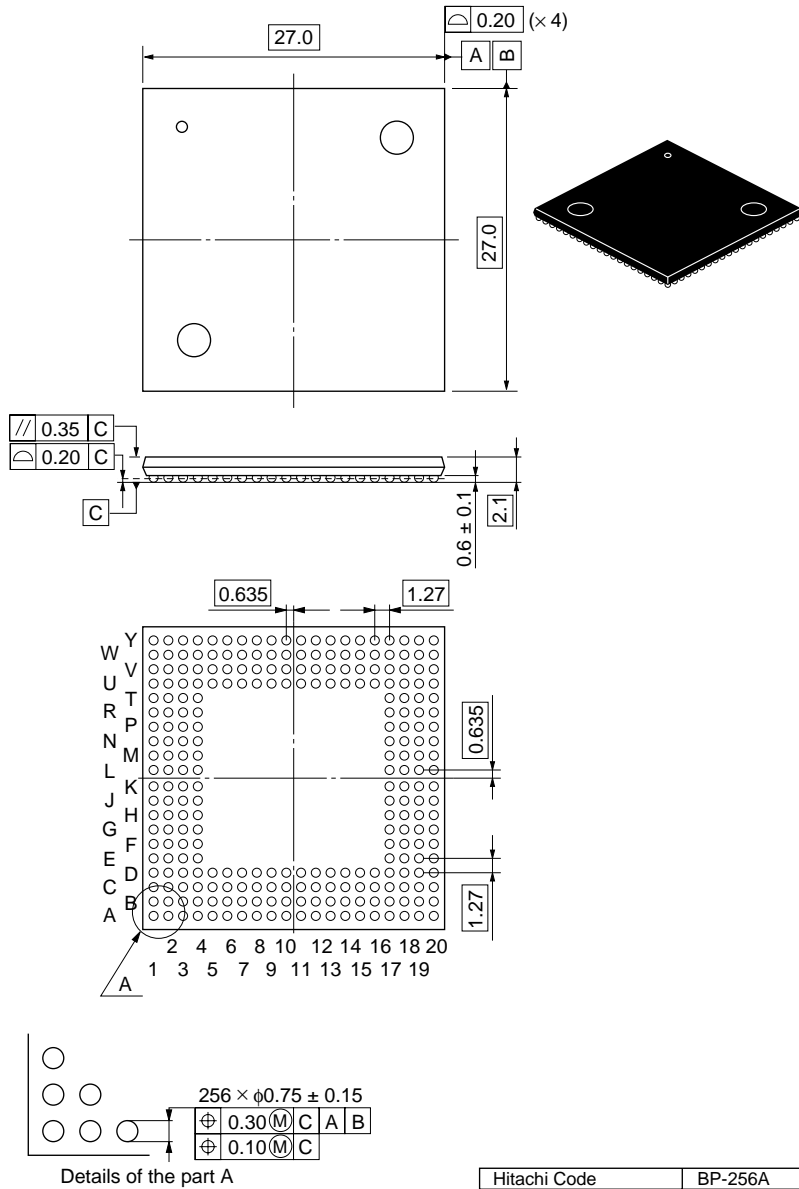
Unit: mm



Details of the part A

Hitachi Code	BP-256
JEDEC	Conforms
JEITA	—
Mass (reference value)	3.0 g

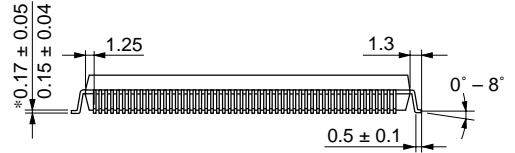
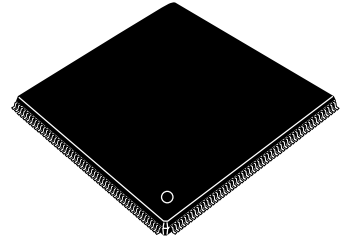
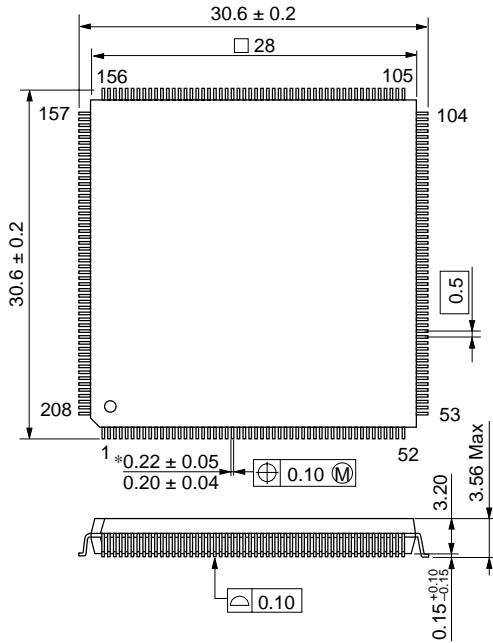
Figure B.1 Package Dimensions (256-Pin BGA) (SH7750 and SH7750S)



Hitachi Code	BP-256A
JEDEC	Conforms
JEITA	—
Mass (reference value)	3.0 g

Figure B.2 Package Dimensions (256-Pin BGA) (SH7750R Only)

Unit: mm



*Dimension including the plating thickness
Base material dimension

Hitachi Code	FP-208E
JEDEC	—
JEITA	Conforms
Mass (reference value)	5.3 g

Figure B.3 Package Dimensions (208-Pin QFP)

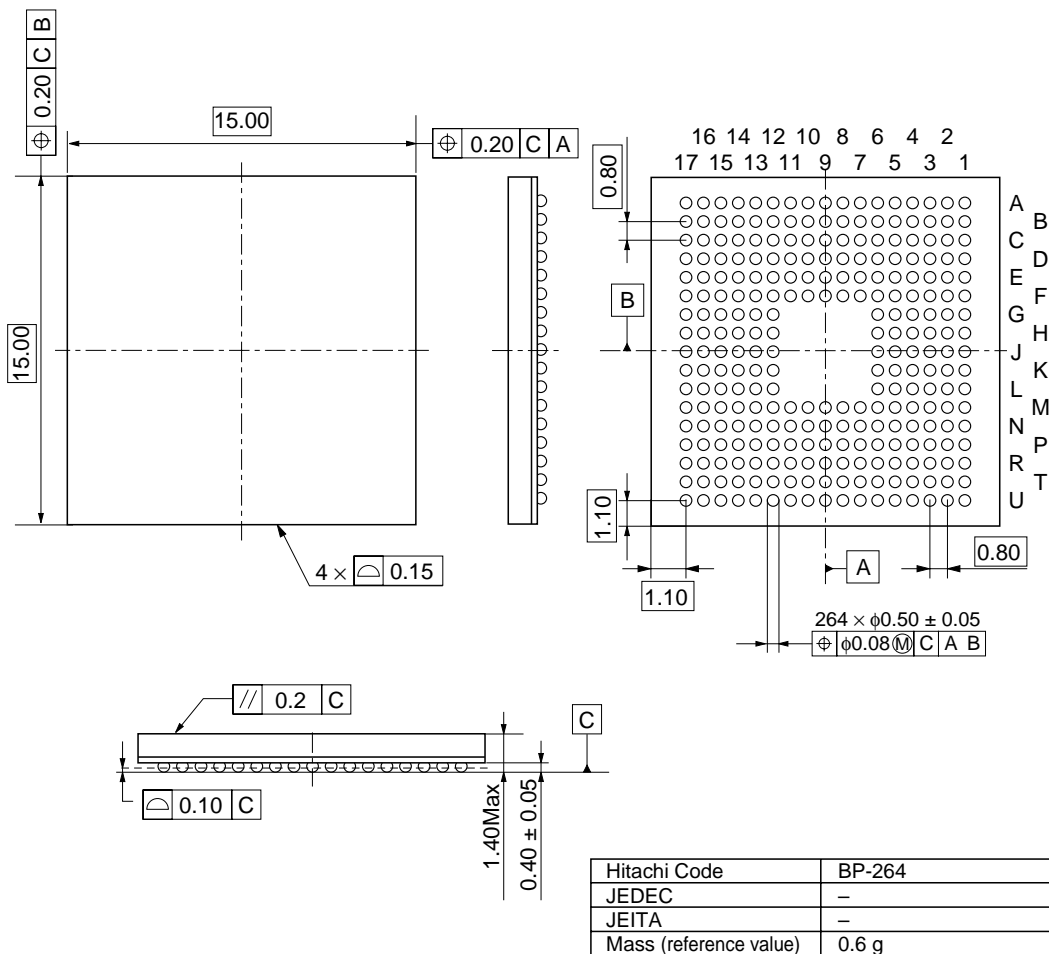
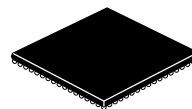


Figure B.4 Package Dimensions (264-Pin CSP)

Appendix C Mode Pin Settings

The MD8–MD0 pin values are input in the event of a power-on reset via the $\overline{\text{RESET}}$ or $\text{SCK2}/\overline{\text{MRESET}}$ pin.

(1) Clock Modes

- Clock Operating Modes (SH7750, SH7750S)

Clock Operating Mode	External Pin Combination			1/2 Frequency Divider	PLL1	PLL2	Frequency (vs. Input Clock)			FRQCR Initial Value
	MD2	MD1	MD0				CPU Clock	Bus Clock	Peripheral Module Clock	
0	0	0	0	Off	On	On	6	3/2	3/2	H'0E1A
1			1	Off	On	On	6	1	1	H'0E23
2		1	0	On	On	On	3	1	1/2	H'0E13
3			1	Off	On	On	6	2	1	H'0E13
4	1	0	0	On	On	On	3	3/2	3/4	H'0E0A
5			1	Off	On	On	6	3	3/2	H'0E0A

- Notes:
1. Turning on/off of the $\frac{1}{2}$ frequency divider is solely determined by the clock operating mode.
 2. For the ranges of input clock frequency, see the descriptions of the EXTAL clock input frequency (f_{EX}) and CKIO clock output (f_{OP}) in section 22.3.1, Clock and Control Signal Timing.

- Clock Operating Modes (SH7750R)

Clock Operating Mode	External Pin Combination			PLL1	PLL2	Frequency (vs. Input Clock)			FRQCR Initial Value
	MD2	MD1	MD0			CPU Clock	Bus Clock	Peripheral Module Clock	
0	0	0	0	On (x12)	On	12	3	3	H'0E1A
1			1	On (x12)	On	12	3/2	3/2	H'0E2C
2		1	0	On (x6)	On	6	2	1	H'0E13
3			1	On (x12)	On	12	4	2	H'0E13
4	1	0	0	On (x6)	On	6	3	3/2	H'0E0A
5			1	On (x12)	On	12	6	3	H'0E0A
6		1	0	Off (x6)	Off	1	1/2	1/2	H'0808

- Notes:
1. The multiplication factor of PLL 1 is solely determined by the clock operating mode.
 2. For the ranges of input clock frequency, see the descriptions of the EXTAL clock input frequency (f_{EX}) and CKIO clock output (f_{OP}) in section 22.3.1, Clock and Control Signal Timing.

(2) Area 0 Bus Width

Pin Value			Bus Width	Memory Type
MD6	MD4	MD3		
0	0	0	64 bits	MPX interface
		1	8 bits	Reserved (setting prohibited)
	1	0	16 bits	Reserved
		1	32 bits	MPX interface
1	0	0	64 bits	SRAM interface
		1	8 bits	SRAM interface
	1	0	16 bits	SRAM interface
		1	32 bits	SRAM interface

(3) Endian

Pin Value

MD5	Endian
0	Big endian
1	Little endian

(4) Master/Slave

Pin Value

MD7	Master/Slave
0	Slave
1	Master

(5) Clock Input

Pin Value

MD8	Clock Input
0	External input clock
1	Crystal resonator

Appendix D CKIO2ENB Pin Configuration

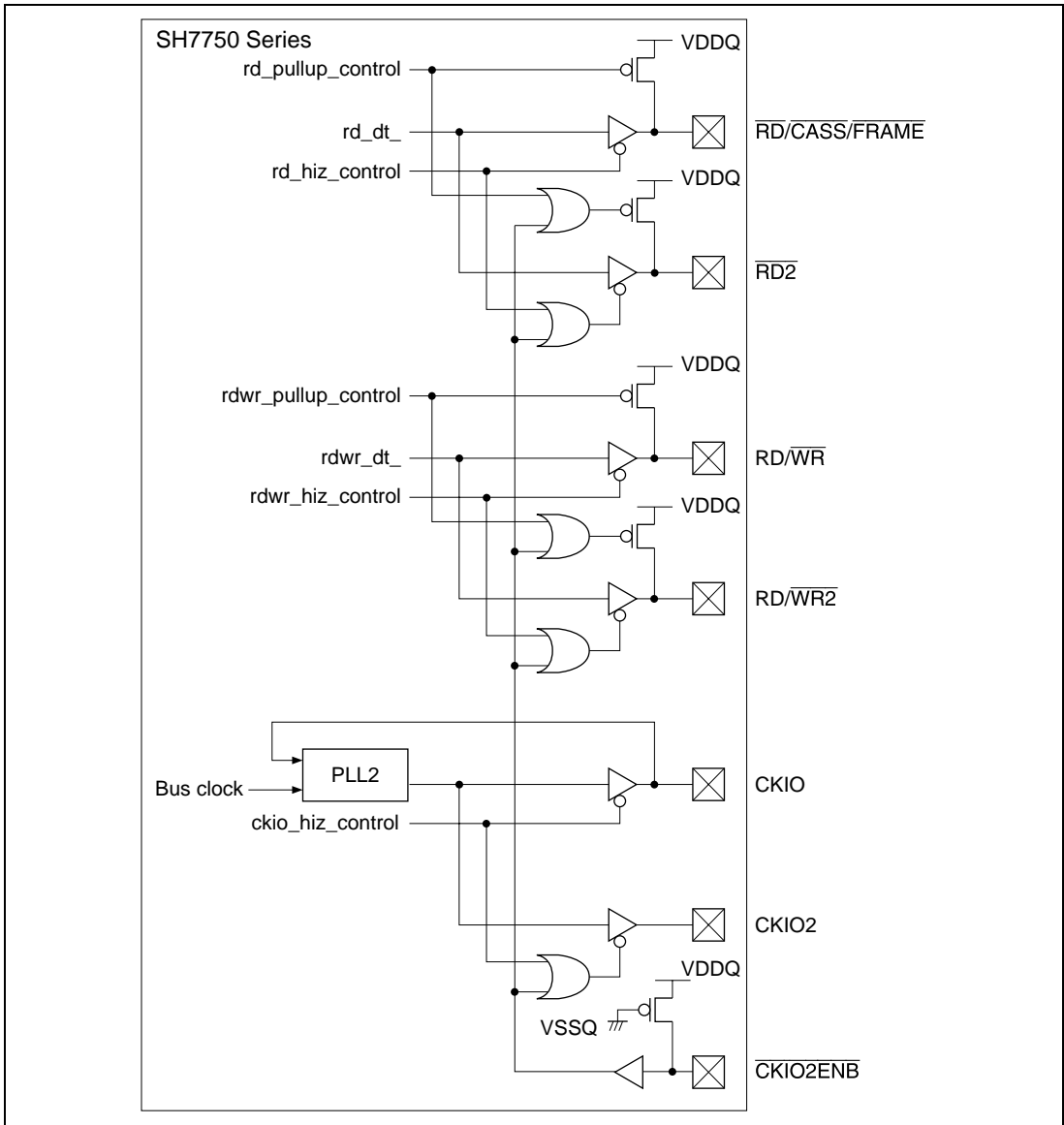


Figure D.1 $\overline{\text{CKIO2ENB}}$ Pin Configuration

CKIO2ENB	Description
0	$\overline{RD2}$, $RD/\overline{WR2}$, and CKIO2 have the same pin states as \overline{RD} , RD/\overline{WR} , and CKIO, respectively
1	$\overline{RD2}$, $RD/\overline{WR2}$, and CKIO2 are in the high-impedance state

Note: CKIO is fed back to PLL2 to coordinate the external clock and internal clock phases. However, CKIO2 is not fed back.

Appendix E Pin Functions

E.1 Pin States

Table E.1 Pin States in Reset, Power-Down State, and Bus-Released State

Signal Name	I/O	Reset (Power-On)		Reset (Manual)		Standby	Bus Released	Hard- ware Standby	Notes
		Master	Slave	Master	Slave				
D0–D7	I/O	Z*15	Z*15	Z*15	Z*15	Z*15	Z*15	Z	
D8–D15	I/O	Z*15	Z*15	Z*15	Z*15	Z*15	Z*15	Z	
D16–D23	I/O	Z*15	Z*15	Z*15	Z*15	Z*15	Z*15	Z	
D24–D31	I/O	Z*15	Z*15	Z*15	Z*15	Z*15	Z*15	Z	
D32–D51	I/O	Z*15	Z*15	ZK*15	ZK*15	Z*15K	Z*15K	Z	Output state held when used as port
D52–D55	I/O	Z*15	Z*15	Z*15	Z*15	Z*15	Z*15	Z	
D56–D63	I/O	Z*15	Z*15	Z*15	Z*15	Z*15	Z*15	Z	
A0, A1, A18–A25	O	Z*16	Z*16	Z*14O*17	Z*14	Z*14O*7	Z*14	Z	
A2–A17	O	Z*16	Z*16	Z*14O*9	Z*14	Z*14O*7	Z*14	Z	
RESET	I	I	I	I	I	I	I	I	
BACK/BSREQ	O	H	H	H	H	H	O	Z	
BREQ/BSACK	I	I*16	I*16	I*13	I*13	I*13	I*13	I	
BS	O	H	Z*16	H	Z*14	Z*14H*7	Z*14	Z	
CKE	O	H	H	O*6	O*6	L	O*6	Z	
CS6–CS0	O	H	Z*16	H	Z*14	Z*14H*7	Z*14	Z	
RAS	O	H	Z*16	O*6	Z*14	Z*14O*5	Z*14O*5	Z	
RD/CASS	O	H	Z*16	O*6	Z*14	Z*14O*5	Z*14O*5	Z	
RD/WR	O	H	Z*16	H	Z*14	Z*14H*7	Z*14	Z	
RDY	I	PI*16	PI*16	I*13	I*13	I*13	I*13	I	
WE7/CAS7/DQM7	O	H	Z*16	O*6	Z*14	Z*14O*5	Z*14O*5	Z	
WE6/CAS6/DQM6	O	H	Z*16	O*6	Z*14	Z*14O*5	Z*14O*5	Z	
WE5/CAS5/DQM5	O	H	Z*16	O*6	Z*14	Z*14O*5	Z*14O*5	Z	
WE4/CAS4/DQM4	O	H	Z*16	O*6	Z*14	Z*14O*5	Z*14O*5	Z	
WE3/CAS3/DQM3	O	H	Z*16	O*6	Z*14	Z*14O*5	Z*14O*5	Z	

Table E.1 Pin States in Reset, Power-Down State, and Bus-Released State (cont)

Signal Name	I/O	Reset (Power-On)		Reset (Manual)		Standby	Bus Released	Hard- ware Standby	Notes
		Master	Slave	Master	Slave				
WE2/CAS2/DQM2	O	H	Z*16	O*6	Z*14	Z*14O*5	Z*14O*5	Z	
WE1/CAS1/DQM1	O	H	Z*16	O*6	Z*14	Z*14O*5	Z*14O*5	Z	
WE0/CAS0/DQM0	O	H	Z*16	O*6	Z*14	Z*14O*5	Z*14O*5	Z	
DACK1–DACK0	O	L	L	L	L	Z*12O*8	O*12	Z	DMAC
MD7/TXD	I/O	I*16	I*16	Z*12	Z*12	Z*12O*8	Z*12O	Z	SCI
MD6/IOIS16	I	I*16	I*16	I*13	I*13	I*13	I*13	I	PCMCIA (I/O)
MD5/RAS2	I/O*1	I*16	I*16	Z*13O*6	Z*13	Z*13O*5	Z*13O*5	Z	DRAM2
MD4/CE2B	I/O*2	I*16	I*16	Z*13H	Z*13	Z*13H*7	Z*13	Z	PCMCIA
MD3/CE2A	I/O*3	I*16	I*16	Z*13H	Z*13	Z*13H*7	Z*13	Z	PCMCIA
CKIO	O	O	O	ZO*11	ZO*11	ZO*11	ZO*11	Z	
STATUS1– STATUS0	O	O	O	O	O	O	O	Z*18	
IRL3–IRL0	I	PI*16	PI*16	I*13	I*13	I*13	I*13	I	INTC
NMI	I	PI*16	PI*16	I*13	I*13	I*13	I*13	I	INTC
DREQ1–DREQ0	I	PI*16	PI*16	I*12	I*12	I*12	I*12	I	DMAC
DRAK1–DRAK0	O	L	L	L	L	Z*12O*8	O*12	Z	DMAC
MD0/SCK	I/O	I*16	I*16	I*12	I*12	I*12Z*12O*8	I*12O	Z	SCI
RXD	I	PI*16	PI*16	I*12	I*12	I*12	I*12	I	SCI
SCK2/MRESET	I	PI*16	PI*16	I*12	I*12	I*12	I*12	I	SCIF
MD1/TXD2	I/O	I*16	I*16	Z*12	Z*12	Z*12O*8	Z*12O	Z	SCIF
MD2/RXD2	I	I*16	I*16	I*12	I*12	I*12	I*12	I	SCIF
CTS2	I/O	PI*16	PI*16	I*12	I*12	I*12Z*12O*8	I*12O	Z	SCIF
MD8/RTS2	I/O	I*16	I*16	I*12	I*12	I*12Z*12O*8	I*12O	Z	SCIF
TCLK	I/O	PI*16	PI*16	I*12	I*12	I*12O	I*12O	Z	TMU
TDO	O	O	O	O	O	O	O	Z	H-UDI
TMS	I	PI*16	PI*16	I*16	I*16	I*16	I*16	I	H-UDI
TCK	I	PI*16	PI*16	I*16	I*16	I*16	I*16	I	H-UDI
TDI	I	PI*16	PI*16	I*16	I*16	I*16	I*16	I	H-UDI
TRST	I	PI*16	PI*16	I*16	I*16	I*16	I*16	I	H-UDI
CKIO2*10	O	O	O	ZO*11	ZO*11	ZO*11	ZO*11	Z	

Table E.1 Pin States in Reset, Power-Down State, and Bus-Released State (cont)

Signal Name	I/O	Reset (Power-On)		Reset (Manual)		Standby	Bus Released	Hard- ware Standby	Notes
		Master	Slave	Master	Slave				
$\overline{RD2}^{*10}$	O	H	Z ^{*16}	O ^{*6}	Z ^{*14}	Z ^{*14} O ^{*5}	Z ^{*14} O ^{*5}	Z	
RD/WR2 ^{*10}	O	H	Z ^{*16}	H	Z ^{*14}	Z ^{*14} H ^{*7}	Z ^{*14}	Z	
$\overline{CKIO2ENB}$	I	I	I	I	I	I	I	I	
CA	I	I	I	I	I	I	I	I	

Notes: I: Input

O: Output

H: High-level output

L: Low-level output

Z: High-impedance

K: Output state held

*1 Output when area 2 DRAM is used.

*2 Output when area 5 PCMCIA is used.

*3 Output when area 6 PCMCIA is used.

*4 Depends on refresh and DMAC operations.

*5 Z (I) or O (refresh), depending on register setting (BCR1.HIZCNT).

*6 Depends on refresh operation.

*7 Z (I) or H (state held), depending on register setting (BCR1.HIZMEM).

*8 Z or O, depending on register setting (STBCR.PHZ).

*9 Output when refreshing is set.

*10 Operation in respective state when $\overline{CKIO2ENB} = 0$; Z when $\overline{CKIO2ENB} = 1$.

*11 Z or O, depending on register setting (FRQCR.CKOEN).

*12 Pulled up or not pulled up, depending on register setting (STBCR.PPU).

*13 Pulled up or not pulled up, depending on register setting (BCR1.IPUP).

*14 Pulled up or not pulled up, depending on register setting (BCR1.OPUP).

*15 Not pulled up.

*16 Pulled up with a built-in pull-up resistance. However, cannot be used for MD pin pull-up in a power-on reset. Pull up or down outside the SH-4.

*17 Output when refreshing is set (SH7750R only).

*18 Z or O, depending on register setting (STBCR2.STHZ) (SH7750R only).

E.2 Handling of Unused Pins

- When RTC is not used
 - EXTAL2: Pull up to 3.3 V
 - XTAL2: Leave unconnected
 - VDD-RTC: Power supply (3.3 V)
 - VSS-RTC: Power supply (0 V)
- When PLL1 is not used
 - VDD-PLL1: Power supply (3.3 V)
 - VSS-PLL1: Power supply (0 V)
- When PLL2 is not used
 - VDD-PLL2: Power supply (3.3 V)
 - VSS-PLL2: Power supply (0 V)
- When on-chip crystal oscillator is not used
 - XTAL: Leave unconnected
 - VDD-CPG: Power supply (3.3 V)
 - VSS-CPG: Power supply (0 V)

Appendix F Synchronous DRAM Address Multiplexing Tables

(1) **BUS 64** **(16M: 512k × 16b × 2) × 4 ***
AMX 0 **AMXEXT 0** **16M, column-addr-8bit** **8MB**

SH7750 Series Address Pins			Synchronous DRAM Address Pins	Function
	RAS Cycle	CAS Cycle		
A14	A22	A22	A11	BANK selects bank address
A13	A21	H/L	A10	Address precharge setting
A12	A20	0	A9	Address
A11	A19	0	A8	
A10	A18	A10	A7	
A9	A17	A9	A6	
A8	A16	A8	A5	
A7	A15	A7	A4	
A6	A14	A6	A3	
A5	A13	A5	A2	
A4	A12	A4	A1	
A3	A11	A3	A0	
A2	Not used			
A1	Not used			
A0	Not used			

(2) **BUS 32** (16M: 512k × 16b × 2) × 2 *
AMX 0 **AMXEXT 0** **16M, column-addr-8bit** **4MB**

SH7750 Series Address Pins			Synchronous DRAM Address Pins	Function
	RAS Cycle	CAS Cycle		
A14				
A13	A21	A21	A11	BANK selects bank address
A12	A20	H/L	A10	Address precharge setting
A11	A19	0	A9	Address
A10	A18	0	A8	
A9	A17	A9	A7	
A8	A16	A8	A6	
A7	A15	A7	A5	
A6	A14	A6	A4	
A5	A13	A5	A3	
A4	A12	A4	A2	
A3	A11	A3	A1	
A2	A10	A2	A0	
A1	Not used			
A0	Not used			

(3) **BUS 64** (16M: 512k × 16b × 2) × 4 *
AMX 0 **AMXEXT 1** **16M, column-addr-8bit** **8MB**

SH7750 Series Address Pins			Synchronous DRAM Address Pins	Function
	RAS Cycle	CAS Cycle		
A14	A21	A21	A11	BANK selects bank address
A13	A22	H/L	A10	Address precharge setting
A12	A20	0	A9	Address
A11	A19	0	A8	
A10	A18	A10	A7	
A9	A17	A9	A6	
A8	A16	A8	A5	
A7	A15	A7	A4	
A6	A14	A6	A3	
A5	A13	A5	A2	
A4	A12	A4	A1	
A3	A11	A3	A0	
A2	Not used			
A1	Not used			
A0	Not used			

(4) **BUS 32** (16M: 512k × 16b × 2) × 2 *
AMX 0 **AMXEXT 1** **16M, column-addr-8bit** **4MB**

SH7750 Series Address Pins			Synchronous DRAM Address Pins	Function
	RAS Cycle	CAS Cycle		
A14				
A13	A20	A20	A11	BANK selects bank address
A12	A21	H/L	A10	Address precharge setting
A11	A19	0	A9	Address
A10	A18	0	A8	
A9	A17	A9	A7	
A8	A16	A8	A6	
A7	A15	A7	A5	
A6	A14	A6	A4	
A5	A13	A5	A3	
A4	A12	A4	A2	
A3	A11	A3	A1	
A2	A10	A2	A0	
A1	Not used			
A0	Not used			

(5) **BUS 64** (16M: 1M × 8b × 2) × 8 *

AMX 1 **AMXEXT 0**

16M, column-addr-9bit

16MB

SH7750 Series Address Pins			Synchronous DRAM Address Pins	Function
	RAS Cycle	CAS Cycle		
A14	A23	A23	A11	BANK selects bank address
A13	A22	H/L	A10	Address precharge setting
A12	A21	0	A9	Address
A11	A20	A11	A8	
A10	A19	A10	A7	
A9	A18	A9	A6	
A8	A17	A8	A5	
A7	A16	A7	A4	
A6	A15	A6	A3	
A5	A14	A5	A2	
A4	A13	A4	A1	
A3	A12	A3	A0	
A2	Not used			
A1	Not used			
A0	Not used			

(6) **BUS 32** (16M: 1M × 8b × 2) × 4 *

AMX 1

AMXEXT 0

16M, column-addr-9bit

8MB

SH7750 Series Address Pins			Synchronous DRAM Address Pins	Function	
	RAS Cycle	CAS Cycle			
A14					
A13	A22	A22	A11	BANK selects bank address	
A12	A21	H/L	A10	Address precharge setting	
A11	A20	0	A9	Address	
A10	A19	A10	A8		
A9	A18	A9	A7		
A8	A17	A8	A6		
A7	A16	A7	A5		
A6	A15	A6	A4		
A5	A14	A5	A3		
A4	A13	A4	A2		
A3	A12	A3	A1		
A2	A11	A2	A0		
A1	Not used				
A0	Not used				

(7) **BUS 64** (16M: 1M × 8b × 2) × 8 *

AMX 1 **AMXEXT 1**

16M, column-addr-9bit

16MB

SH7750 Series Address Pins			Synchronous DRAM Address Pins	Function
	RAS Cycle	CAS Cycle		
A14	A22	A22	A11	BANK selects bank address
A13	A23	H/L	A10	Address precharge setting
A12	A21	0	A9	Address
A11	A20	A11	A8	
A10	A19	A10	A7	
A9	A18	A9	A6	
A8	A17	A8	A5	
A7	A16	A7	A4	
A6	A15	A6	A3	
A5	A14	A5	A2	
A4	A13	A4	A1	
A3	A12	A3	A0	
A2	Not used			
A1	Not used			
A0	Not used			

(8) BUS 32 (16M: 1M × 8b × 2) × 4 *

AMX 1

AMXEXT 1

16M, column-addr-9bit

8MB

SH7750 Series Address Pins			Synchronous DRAM Address Pins	Function	
	RAS Cycle	CAS Cycle			
A14					
A13	A21	A21	A11	BANK selects bank address	
A12	A22	H/L	A10	Address precharge setting	
A11	A20	0	A9	Address	
A10	A19	A10	A8		
A9	A18	A9	A7		
A8	A17	A8	A6		
A7	A16	A7	A5		
A6	A15	A6	A4		
A5	A14	A5	A3		
A4	A13	A4	A2		
A3	A12	A3	A1		
A2	A11	A2	A0		
A1	Not used				
A0	Not used				

(9) **BUS 64** (64M: 1M × 16b × 4) × 4 *
AMX 2 64M, column-addr-8bit 32MB

SH7750 Series Address Pins			Synchronous DRAM Address Pins	Function
	RAS Cycle	CAS Cycle		
A16	A24	A24	A13	BANK selects bank address
A15	A23	A23	A12	
A14	A22	0	A11	Address precharge setting
A13	A21	H/L	A10	
A12	A20	0	A9	Address
A11	A19	0	A8	
A10	A18	A10	A7	
A9	A17	A9	A6	
A8	A16	A8	A5	
A7	A15	A7	A4	
A6	A14	A6	A3	
A5	A13	A5	A2	
A4	A12	A4	A1	
A3	A11	A3	A0	
A2	Not used			
A1	Not used			
A0	Not used			

(10) **BUS 32** (64M: 1M × 16b × 4) × 2 *
AMX 2 64M, column-addr-8bit **16MB**

SH7750 Series Address Pins			Synchronous DRAM Address Pins	Function
	RAS Cycle	CAS Cycle		
A16				
A15	A23	A23	A13	BANK selects bank address
A14	A22	A22	A12	
A13	A21	0	A11	Address precharge setting
A12	A20	H/L	A10	
A11	A19	0	A9	Address
A10	A18	0	A8	
A9	A17	A9	A7	
A8	A16	A8	A6	
A7	A15	A7	A5	
A6	A14	A6	A4	
A5	A13	A5	A3	
A4	A12	A4	A2	
A3	A11	A3	A1	
A2	A10	A2	A0	
A1	Not used			
A0	Not used			

(11) **BUS 64** (64M: 2M × 8b × 4) × 8 *
 (128M: 2M × 16b × 4) × 4
AMX 3 64M, column-addr-9bit **64MB**

SH7750 Series Address Pins			Synchronous DRAM Address Pins	Function
	RAS Cycle	CAS Cycle		
A16	A25	A25	A13	BANK selects bank address
A15	A24	A24	A12	
A14	A23	0	A11	Address precharge setting
A13	A22	H/L	A10	
A12	A21	0	A9	Address
A11	A20	A11	A8	
A10	A19	A10	A7	
A9	A18	A9	A6	
A8	A17	A8	A5	
A7	A16	A7	A4	
A6	A15	A6	A3	
A5	A14	A5	A2	
A4	A13	A4	A1	
A3	A12	A3	A0	
A2	Not used			
A1	Not used			
A0	Not used			

(12) BUS 32 (64M: 2M × 8b × 4) × 4 *

(128M: 2M × 16b × 4) × 2

AMX 3 64M, column-addr-9bit

32MB

SH7750 Series Address Pins			Synchronous DRAM Address Pins	Function	
	RAS Cycle	CAS Cycle			
A16					
A15	A24	A24	A13	BANK selects bank address	
A14	A23	A23	A12		
A13	A22	0	A11	Address precharge setting	
A12	A21	H/L	A10		
A11	A20	0	A9	Address	
A10	A19	A10	A8		
A9	A18	A9	A7		
A8	A17	A8	A6		
A7	A16	A7	A5		
A6	A15	A6	A4		
A5	A14	A5	A3		
A4	A13	A4	A2		
A3	A12	A3	A1		
A2	A11	A2	A0		
A1	Not used				
A0	Not used				

(13) **BUS 64** (64M: 512k × 32b × 4) × 2 *

AMX 4 64M, column-addr-8bit

16MB

SH7750 Series Address Pins			Synchronous DRAM Address Pins	Function	
	RAS Cycle	CAS Cycle			
A15	A23	A23	A12	BANK selects bank address	
A14	A22	A22	A11		
A13	A21	H/L	A10	Address precharge setting	
A12	A20	0	A9	Address	
A11	A19	0	A8		
A10	A18	A10	A7		
A9	A17	A9	A6		
A8	A16	A8	A5		
A7	A15	A7	A4		
A6	A14	A6	A3		
A5	A13	A5	A2		
A4	A12	A4	A1		
A3	A11	A3	A0		
A2	Not used				
A1	Not used				
A0	Not used				

(14) **BUS 32** (64M: 512k × 32b × 4) × 1 *
AMX 4 64M, column-addr-8bit **8MB**

SH7750 Series Address Pins			Synchronous DRAM Address Pins	Function
	RAS Cycle	CAS Cycle		
A15				
A14	A22	A22	A12	BANK selects bank address
A13	A21	A21	A11	
A12	A20	H/L	A10	Address precharge setting
A11	A19	0	A9	Address
A10	A18	0	A8	
A9	A17	A9	A7	
A8	A16	A8	A6	
A7	A15	A7	A5	
A6	A14	A6	A4	
A5	A13	A5	A3	
A4	A12	A4	A2	
A3	A11	A3	A1	
A2	A10	A2	A0	
A1	Not used			
A0	Not used			

(15) **BUS 64** (64M: 1M × 32b × 2) × 2 *

AMX 5 64M, column-addr-8bit **16MB**

SH7750 Series Address Pins			Synchronous DRAM Address Pins	Function	
	RAS Cycle	CAS Cycle			
A15	A23	A23	A12	BANK selects bank address	
A14	A22	0	A11		
A13	A21	H/L	A10	Address precharge setting	
A12	A20	0	A9	Address	
A11	A19	0	A8		
A10	A18	A10	A7		
A9	A17	A9	A6		
A8	A16	A8	A5		
A7	A15	A7	A4		
A6	A14	A6	A3		
A5	A13	A5	A2		
A4	A12	A4	A1		
A3	A11	A3	A0		
A2	Not used				
A1	Not used				
A0	Not used				

(16) BUS 32 (64M: 1M × 32b × 2) × 1 *
 AMX 5 64M, column-addr-8bit 8MB

SH7750 Series Address Pins			Synchronous DRAM Address Pins	Function
	RAS Cycle	CAS Cycle		
A15				
A14	A22	A22	A12	BANK selects bank address
A13	A21	0	A11	
A12	A20	H/L	A10	Address precharge setting
A11	A19	0	A9	Address
A10	A18	0	A8	
A9	A17	A9	A7	
A8	A16	A8	A6	
A7	A15	A7	A5	
A6	A14	A6	A4	
A5	A13	A5	A3	
A4	A12	A4	A2	
A3	A11	A3	A1	
A2	A10	A2	A0	
A1	Not used			
A0	Not used			

(17) **BUS 64** (128M: 4M × 8b × 4) × 8 (SH7750R only)
AMX 6 128M, column-addr-10bit 128MB
AMXEXT0

SH7750 Series Address Pins			Synchronous DRAM Address Pins	Function
	RAS Cycle	CAS Cycle		
A16	A26	A26	A13	BANK selects bank address
A15	A25	A25	A12	
A14	A24	0	A11	
A13	A23	H/L	A10	Address precharge setting
A12	A22	A12	A9	Address
A11	A21	A11	A8	
A10	A20	A10	A7	
A9	A19	A9	A6	
A8	A18	A8	A5	
A7	A17	A7	A4	
A6	A16	A6	A3	
A5	A15	A5	A2	
A4	A14	A4	A1	
A3	A13	A3	A0	
A2	Not used			
A1	Not used			
A0	Not used			

(18) BUS 64 (256M: 4M × 16b × 4) × 4 (SH7750R only) *
AMX 6 256M, column-addr-9bit 128MB
AMXEXT1

SH7750 Series Address Pins			Synchronous DRAM Address Pins	Function
	RAS Cycle	CAS Cycle		
A17	A26	A26	A14	BANK selects bank address
A16	A25	A25	A13	
A15	A24	0	A12	
A14	A23	0	A11	Address precharge setting Address
A13	A22	H/L	A10	
A12	A21	0	A9	
A11	A20	A11	A8	
A10	A19	A10	A7	
A9	A18	A9	A6	
A8	A17	A8	A5	
A7	A16	A7	A4	
A6	A15	A6	A3	
A5	A14	A5	A2	
A4	A13	A4	A1	
A3	A12	A3	A0	
A2	Not used			
A1	Not used			
A0	Not used			

(19) **BUS 32** (128M: 4M × 8b × 4) × 4 (SH7750S and SH7750R only) *
AMX 6 column-addr-10bit **64MB**
AMXEXT 0

SH7750 Series Address Pins			Synchronous DRAM Address Pins	Function
	RAS Cycle	CAS Cycle		
A15	A25	A25	A13	BANK selects bank address
A14	A24	A24	A12	
A13	A23	0	A11	Address precharge setting
A12	A22	H/L	A10	Address
A11	A21	A11	A9	
A10	A20	A10	A8	
A9	A19	A9	A7	
A8	A18	A8	A6	
A7	A17	A7	A5	
A6	A16	A6	A4	
A5	A15	A5	A3	
A4	A14	A4	A2	
A3	A13	A3	A1	
A2	A12	A2	A0	
A1	Not used			
A0	Not used			

(20) **BUS 32** (256M: 4M × 16b × 4) × 2 (SH7750S and SH7750R only) *
AMX 6 256M, column-addr-9bit 64MB
AMXEXT 1

SH7750 Series Address Pins			Synchronous DRAM Address Pins	Function
	RAS Cycle	CAS Cycle		
A16	A25	A25	A14	BANK selects bank address
A15	A24	A24	A13	
A14	A23	0	A12	
A13	A22	0	A11	
A12	A21	H/L	A10	Address precharge setting
A11	A20	0	A9	Address
A10	A19	A10	A8	
A9	A18	A9	A7	
A8	A17	A8	A6	
A7	A16	A7	A5	
A6	A15	A6	A4	
A5	A14	A5	A3	
A4	A13	A4	A2	
A3	A12	A3	A1	
A2	A11	A2	A0	
A1	Not used			
A0	Not used			

(21) **BUS 64** (16M: 256k × 32b × 2) × 2 *

AMX 7 16M, column-addr-8bit

4MB

SH7750 Series Address Pins			Synchronous DRAM Address Pins	Function
	RAS Cycle	CAS Cycle		
A13	A21	A21	A10	BANK selects bank address
A12	A20	H/L	A9	Address precharge setting
A11	A19	0	A8	Address
A10	A18	A10	A7	
A9	A17	A9	A6	
A8	A16	A8	A5	
A7	A15	A7	A4	
A6	A14	A6	A3	
A5	A13	A5	A2	
A4	A12	A4	A1	
A3	A11	A3	A0	
A2	Not used			
A1	Not used			
A0	Not used			

(22) **BUS 32** (16M: 256k × 32b × 2) × 1 *
AMX 7 16M, column-addr-8bit **2MB**

SH7750 Series Address Pins			Synchronous DRAM Address Pins	Function
	RAS Cycle	CAS Cycle		
A13				
A12	A20	A20	A10	BANK selects bank address
A11	A19	H/L	A9	Address precharge setting
A10	A18	0	A8	Address
A9	A17	A9	A7	
A8	A16	A8	A6	
A7	A15	A7	A5	
A6	A14	A6	A4	
A5	A13	A5	A3	
A4	A12	A4	A2	
A3	A11	A3	A1	
A2	A10	A2	A0	
A1	Not used			
A0	Not used			

Note: * Example of a synchronous DRAM configuration

Appendix G Prefetching of Instructions and its Side Effects

The SH7750 series incorporates an on-chip buffer for holding instructions that have been read ahead of their execution (prefetching of instructions). Therefore, do not allocate programs to memory in such a way that instructions are in the last 20 bytes of any memory space. If a program is allocated in such a way, the prefetching of instructions may lead to a bus access for reading an instruction from beyond the memory space. The following shows a case in which such bus access is a problem.

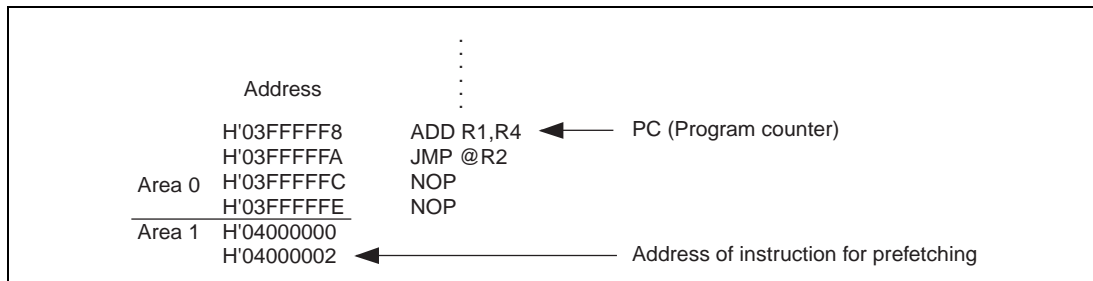


Figure G.1 Instruction Prefetch

Figure G.1 depicts a case in which the instruction (ADD) indicated by the program counter and the instruction at the address H'04000002 are fetched simultaneously. The program is assumed to branch to a region other than area 1 after the subsequent JMP instruction and delay slot instruction have been executed.

In this case, a bus access to area 1 (instruction prefetch), which is not visible in the program flow, may occur.

1. Side effects of the prefetching of instructions
 - a. An external bus access caused by an instruction prefetch may cause malfunctions in external devices, such as FIFOs, that are connected to the region accessed.
 - b. If no device responds to an external bus request that is triggered by an instruction prefetch, execution may hang.
2. Methods of preventing the invalid prefetching of instructions
 - a. Use an MMU.
 - b. Do not allocate programs so that they run into the last 20-byte region of any memory space.

Appendix H Power-On and Power-Off Procedures

- Power-on
 - Supply the internal power after supplying power to the I/O, PLL, RTC, and CPG.*¹
 - Supply power to V_{DDQ} , $V_{DD-PLL1/2}$, V_{DD-RTC} , and V_{DD-CPG} simultaneously.
 - At power-on, the $\overline{\text{RESET}}$ signal is low. Normally, supply power to the I/O, RTC, and CPG before (or at the same time as) entering the signal lines ($\overline{\text{RESET}}$, SCK2, MD0 to MD10, and external clock). If the signal lines are entered first, the LSI may be damaged.
 - Input high level to SCK2 ($\overline{\text{MRESET}}$) in compliance with the voltage level of the I/O, PLL, RTC, CPG power supply voltage.
- Power-off
 - When turning off the power, there are no restrictions for the timing of $\overline{\text{RESET}}$ and SCK2.
 - Turn off the I/O, PLL, RTC, CPG power supply voltage after (or at the same time as)*¹ turning off the internal power supply voltage.

Note however that the internal power supply voltage may exceed the I/O, PLL, RTC, CPG power supply voltage by a maximum of 0.3 V only when the system is being turned off.

 - The power supply level must be lowered in compliance with the I/O, PLL, RTC, CPG power supply voltage.

Note: *1 10 ms or less for the HD6417750R.

- The ratings and procedures for power-on and power-off are given below.

$$V_{SSQ} = V_{SS-PLL1} = V_{SS-PLL2} = V_{SS-RTC} = V_{SS-CPG} = 0 \text{ V}$$

The LSI may be damaged if

$$-0.3 \text{ V} < V_{in} < V_{DDQ} + 0.3 \text{ V}$$

$$-0.3 \text{ V} < V_{DD} < V_{DDQ} + 0.3 \text{ V}$$

are not satisfied when $V_{DDQ} = V_{DD-RTC} = V_{DD-CPG}$.

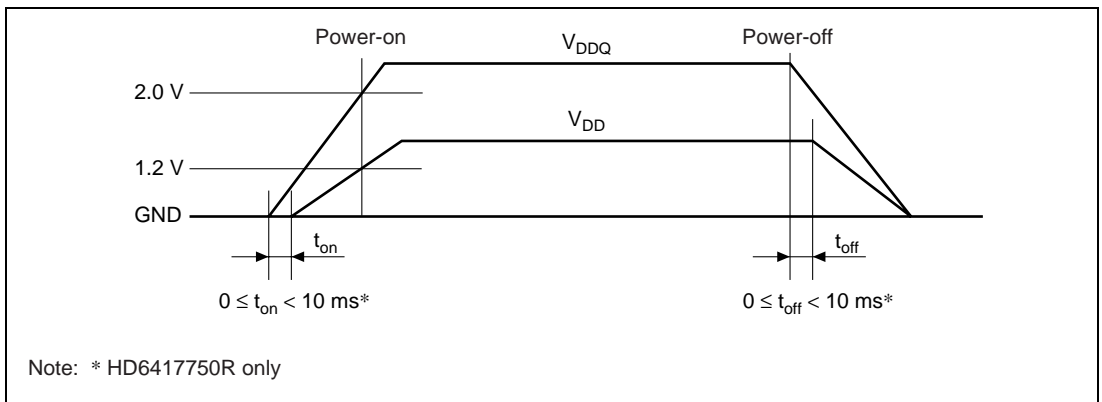


Figure H.1 Power-On and Power-Off Procedures

Appendix I Product Code Lineup

Table I.1 SH7750 Series Product Code Lineup

Abbreviation	Voltage	Operating Frequency	Operating Temperature	Mark Code	Package
SH7750	1.95 V	200 MHz	-20 to 75°C	HD6417750BP200M	BGA-256
			-20 to 75°C	HD6417750F167	QFP-208
	-40 to 85°C	HD6417750F167I			
	1.5 V	128 MHz	-20 to 75°C	HD6417750VF128	
SH7750S	1.95 V	200 MHz	-20 to 75°C	HD6417750SBP200	BGA-256
			-20 to 75°C	HD6417750SF200	QFP-208
	1.8 V	167 MHz	-20 to 75°C	HD6417750SF167	QFP-208
			-40 to 85°C	HD6417750SF167I	
	1.5 V	133 MHz	-20 to 75°C	HD6417750SVF133	
-30 to 70°C			HD6417750SVBT133	CSP-264	
SH7750R	1.5 V	240 MHz	-20 to 75°C	HD6417750RBP240	BGA-256
			-20 to 75°C	HD6417750RF240	QFP-208
	1.5 V	200 MHz	-20 to 75°C	HD6417750RBP200	BGA-256
			-20 to 75°C	HD6417750RF200	QFP-208

Index

A

Address Space 64

B

Big endian 53
Bus Arbitration 480
Bus State Controller 311
 Address Multiplexing 399
 Areas 319, 382
 Burst Access 402
 Burst ROM Interface 441
 Byte Control SRAM Interface 473
 DRAM Interface 395
 EDO Mode 403
 Endian 370
 I/O card interface 322, 444
 IC memory card interface 322, 444
 Master Mode 483
 MPX Interface 455
 Partial-Sharing Master Mode 485
 PCMCIA Interface 444
 PCMCIA Support 322
 RAS Down Mode 404
 Refresh Timing 409
 Refreshing 431
 Slave Mode 484
 SRAM Interface 387
 Synchronous DRAM Interface 413
 Wait State Control 401
 Waits between Access Cycles 478

C

Caches 95
 Address Array 112, 114, 117, 119
 cache fill 108
 Data Array 113, 115, 118, 120
 IC Index Mode 111
 Instruction Cache 95, 108
 OC Index Mode 107

Operand Cache 95, 99
 prefetch 122
 Prefetch Operation 108
 RAM Mode 106
 Store Queues 122
 Tag 102, 110
 U bit 102
 V bit 102, 110
 Write-Back Buffer 105
 Write-Through Buffer 105
Clock Oscillation Circuits 247
 Bus Clock Division Ratio 258
 Changing the Frequency 257
 Clock Operating Modes 253
 PLL Circuit 257
clock pulse generator 247
Control Registers 42, 49
 DBR 50
 Debug base register 50
 GBR 50
 Global base register 50
 Saved general register 15 50
 Saved program counter 50
 Saved status register 50
 SGR 50
 SPC 50
 SR 49
 SSR 50
 Status register 49
 VBR 50
 Vector base register 50

D

Data Format 53
Direct Memory Access Controller 489
 Address Modes 519
 Burst Mode 523
 Bus Modes 522
 Channel Priorities 515
 Cycle Steal Mode 522

DMA Transfer.....	518
DMA Transfer Requests	512
Dual Address Mode	520
Ending DMA Transfer	541
Fixed Mode	515
On-Demand Data Transfer Mode.....	545
Round Robin Mode.....	515
Single Address Mode	519

E

effective address.....	175
Exceptions.....	127
Address Error	146, 147
Exception Types.....	130
FPU exception.....	154, 169
General Exceptions	141
General FPU Disable Exception	151
General illegal instruction	169
General Illegal Instruction Exception ..	149
Initial Page Write Exception	143
Instruction TLB Protection Violation Exception	145
Slot FPU Disable Exception.....	152
slot illegal instruction exception	169
Slot Illegal Instruction Exception.....	150
TLB Miss Exception	141, 142
TLB Multiple-Hit Exception.....	139, 140
TLB Protection Violation Exception...	144
Unconditional Trap	148
User Breakpoint Trap.....	153
External Memory Space Map.....	320

F

Floating-Point Registers.....	43, 47, 165
Floating-Point Unit	161
Denormalized Numbers	164
Floating-Point Format	161
Geometric Operation Instructions	170
NaN.....	163, 164
Non-Numbers.....	163
Pair Single-Precision Data Transfer	172

G

General Registers	42, 45
Graphics Support Functions	170

H

Hitachi User Debug Interface.....	799
TAP Control	810

I

I/O Ports	731
Instruction Set	173, 179
Arithmetic Operation Instructions.....	182
Branch instructions.....	186, 214
Data transfer instructions.....	211
Double-precision floating-point instructions	217
Fixed-point arithmetic instructions.....	212
Fixed-Point Transfer Instructions.....	180
Floating-Point Control Instructions	190
Floating-Point Double-Precision Instructions	190
Floating-Point Graphics Acceleration Instructions	191
Floating-Point Single-Precision Instructions	189
FPU system control instructions.....	218
Graphics acceleration instructions.....	218
Logic Operation Instructions	184
Shift instructions.....	185, 214
Single-precision floating-point instructions	216
System control instructions	187, 215
Interrupt Controller	751
Interrupt Priority.....	759
On-Chip Peripheral Module Interrupts	757
Interrupts	155
ATI	289
BRI	697
ERI	651, 697, 724
IRL Interrupts	156, 755
NMI	155
NMI Interrupt	754
Peripheral Module Interrupts.....	157

PRI	289
RXI.....	651, 697, 724
TEI	651
TICPI.....	309
TUNI.....	309
TXI.....	651, 697, 724

L

Little endian	53
---------------------	----

M

Memory Management Unit.....	57
Address Array	88, 90
Address Space Identifier	70
Address Translation	69
Address Translation Method	75
ASID	70
Avoiding Synonym Problems	80
Data Array.....	89, 92
External memory space	64, 67
ITLB.....	75
LDTLB.....	78
MMU Exceptions.....	81
MMU Functions.....	78
Physical address space	58, 64
time sharing system.....	57
TLB	57, 71
UTLB	71
Virtual address space.....	58, 68
virtual memory system.....	57

P

Pipelining	193
Execution Cycles.....	204, 211
Parallel-Executability	200
Pipeline Stalling	204
Power-Down Modes	221
Clock Pause Function.....	232
Deep Sleep Mode.....	230
Exit from Standby Mode.....	232
Hardware Standby Mode.....	235
High Impedance Control	226
Module Standby Function.....	233

Pull-Up Control	226
Sleep Mode.....	230
Programming Model	41
Banks	42
Data Formats	41
Privileged Mode	42

R

Realtime Clock	267
Alarm Function	288
Crystal Oscillator Circuit.....	289
CUI.....	289
Time Setting	285
Registers	
BAMRA	778
BAMRB	781
BARA	777
BARB	781
BASRA.....	778
BASRB.....	781
BBRA	779
BBRB	783
BCR1	326
BCR2.....	335
BDRB	781
BRCR	783
CCR.....	97
CHCR.....	499
DAR	497
DMAOR	507
DMATCR.....	498
EXPEVT.....	128
FPSCR.....	167
FPUL	168
FRQCR.....	254
GPIOIC.....	745
ICR	762
INTEVT	128
IPR.....	761
MCR	352
MMUCR.....	61
PCR	359
PCTRA.....	742

PCTRB	744	SCSPTR2	679, 748
PDTRA	743	SCSSR1	605, 709
PDTRB	745	SCTDR1	598
PTEH	61	SCTSR1	598
QACR0	97	SCTSR2	662
R64CNT	271	SDBPR	805
RCR1	279	SDDR	805
RCR2	281	SDIR	803
RDAYAR	278	SDMR	362
RDAYCNT	274	STBCR	224
RFCR	369	STBCR2	227
RHRAR	277	TCNT	298
RHRCNT	272	TCOR	298
RMINAR	276	TCPR2	303
RMINCNT	272	TCR	299
RMONAR	279	TEA	61
RMONCNT	274	TOCR	295
RSECAR	276	TRA	128
RSECCNT	271	TSTR	296
RTCNT	367	TTB	61
RTCOR	368	WCR1	340
RTCSR	364	WCR2	343
RWKAR	277	WCR3	351
RWKCNT	273	WTCNT	260
RYRCNT	275	WTCSR	261
SAR	496	Resets	136
SCBRR1	613	H-UDI Reset	138, 811
SCBRR2	674	Manual Reset	137
SCFCR2	675	Power-On Reset	136
SCFDR2	678	Rounding	168
SCFRDR2	662	S	
SCFSR2	668	Serial Communication Interface	593
SCFTDR2	663	Asynchronous mode	621, 623
SCLSR2	684	Bit Rate	613
SCRDR1	597	Break	652
SCRSR1	597	Framing error	632, 652
SCRSR2	661	Multiprocessor Communication Function	634
SCSCMR1	706	Overrun error	632, 652
SCSCR1	601, 708	Parity error	632, 652
SCSCR2	665	Synchronous mode	621, 642
SCSMR1	599, 707		
SCSMR2	663		
SCSPTR1	609, 746		

Serial Communication Interface with FIFO	657
Asynchronous Mode	685
Break	698
Smart Card Interface	703
bit rate	715
System Registers	42, 50
Floating-point status/control register	51
FPSCR	51
MACH	50
MACL	50
Multiply-and-accumulate register high	50
Multiply-and-accumulate register low	50
PC	50
PR	50
Procedure register	50
Program counter	50

T

Timer Unit	291
Auto-Reload Count Operation	305
Input Capture Function	307
TCNT Count Timing	306

U

User Break Controller	773
Instruction Access Cycle Break	788
Operand Access Cycle Break	789
User Break Debug Support Function	793
User Break Operation Sequence	787

W

Watchdog Timer	247, 259
Interval Timer Mode	265
Watchdog Timer Mode	264

SH7750 Series Hardware Manual

Publication Date: 1st Edition, June 1998
6th Edition, July 2002

Published by: Business Operation Division
Semiconductor & Integrated Circuits
Hitachi, Ltd.

Edited by: Technical Documentation Group
Hitachi Kodaira Semiconductor Co., Ltd.

Copyright © Hitachi, Ltd., 1998. All rights reserved. Printed in Japan.