

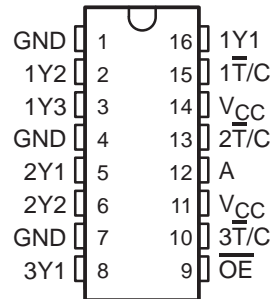
# CDC392

## 1-LINE TO 6-LINE CLOCK DRIVER WITH SELECTABLE POLARITY AND 3-STATE OUTPUTS

SCAS335A – DECEMBER 1992 – REVISED NOVEMBER 1995

- Low Output Skew for Clock-Distribution and Clock-Generation Applications
- TTL-Compatible Inputs and CMOS-Compatible Outputs
- Distributes One Clock Input to Six Clock Outputs
- Polarity Control Selects True or Complementary Outputs
- Distributed  $V_{CC}$  and GND Pins Reduce Switching Noise
- High-Drive Outputs ( $-32\text{-mA } I_{OH}$ ,  $32\text{-mA } I_{OL}$ )
- State-of-the-Art *EPIC-II B*<sup>™</sup> BiCMOS Design Significantly Reduces Power Dissipation
- Packaged In Plastic Small-Outline Package

D PACKAGE  
(TOP VIEW)



### description

The CDC392 contains a clock-driver circuit that distributes one input signal to six outputs with minimum skew for clock distribution. Through the use of the polarity-control ( $\overline{T}/C$ ) inputs, various combinations of true and complementary outputs can be obtained. The output-enable ( $\overline{OE}$ ) input is provided to disable the outputs to a high-impedance state.

The CDC392 is characterized for operation from  $-40^{\circ}\text{C}$  to  $85^{\circ}\text{C}$ .

FUNCTION TABLE

INPUTS			OUTPUT
$\overline{OE}$	$\overline{T}/C$	A	Y
H	X	X	Z
L	L	L	L
L	L	H	H
L	H	L	H
L	H	H	L



Please be aware that an important notice concerning availability, standard warranty, and use in critical applications of Texas Instruments semiconductor products and disclaimers thereto appears at the end of this data sheet.

EPIC-II B is a trademark of Texas Instruments Incorporated.

PRODUCTION DATA information is current as of publication date. Products conform to specifications per the terms of Texas Instruments standard warranty. Production processing does not necessarily include testing of all parameters.



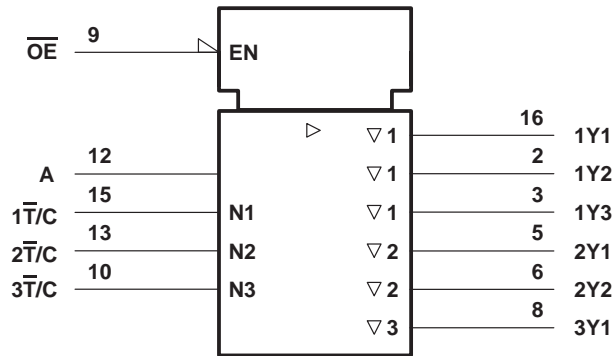
POST OFFICE BOX 655303 • DALLAS, TEXAS 75265

Copyright © 1995, Texas Instruments Incorporated

**CDC392**  
**1-LINE TO 6-LINE CLOCK DRIVER**  
**WITH SELECTABLE POLARITY AND 3-STATE OUTPUTS**

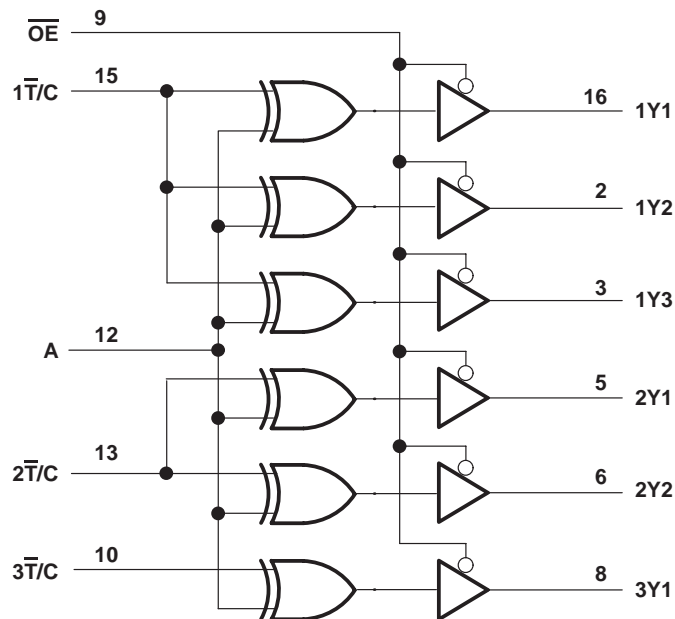
SCAS335A – DECEMBER 1992 – REVISED NOVEMBER 1995

**logic symbol†**



† This symbol is in accordance with ANSI/IEEE Std 91-1984 and IEC Publication 617-12.

**logic diagram (positive logic)**



# CDC392

## 1-LINE TO 6-LINE CLOCK DRIVER WITH SELECTABLE POLARITY AND 3-STATE OUTPUTS

SCAS335A – DECEMBER 1992 – REVISED NOVEMBER 1995

### absolute maximum ratings over operating free-air temperature range (unless otherwise noted)†

Supply voltage range, $V_{CC}$ .....	–0.5 V to 7 V
Input voltage range, $V_I$ (see Note 1) .....	–0.5 V to 7 V
Voltage range applied to any output in the high state or power-off state, $V_O$ .....	–0.5 V to $V_{CC} + 0.5$ V
Current into any output in the low state, $I_O$ .....	64 mA
Input clamp current, $I_{IK}$ ( $V_I < 0$ ) .....	–18 mA
Output clamp current, $I_{OK}$ ( $V_O < 0$ ) .....	–50 mA
Maximum power dissipation at $T_A = 55^\circ\text{C}$ (in still air) (see Note 2) .....	0.77 W

Storage temperature range, $T_{stg}$ .....	–65°C to 150°C
--	----------------

† Stresses beyond those listed under “absolute maximum ratings” may cause permanent damage to the device. These are stress ratings only, and functional operation of the device at these or any other conditions beyond those indicated under “recommended operating conditions” is not implied. Exposure to absolute-maximum-rated conditions for extended periods may affect device reliability.

- NOTES: 1. The input and output negative-voltage ratings may be exceeded if the input and output clamp-current ratings are observed.  
 2. The maximum package power dissipation is calculated using a junction temperature of 150°C and a board trace length of 300 mils. For more information, refer to the *Package Thermal Considerations* application note in the 1994 *ABT Advanced BiCMOS Technology Data Book*, literature number SCBD002B.

### recommended operating conditions (see Note 3)

		MIN	NOM	MAX	UNIT
$V_{CC}$	Supply voltage	4.75	5	5.25	V
$V_{IH}$	High-level input voltage	2			V
$V_{IL}$	Low-level input voltage			0.8	V
$V_I$	Input voltage	0	$V_{CC}$		V
$I_{OH}$	High-level output current			–32	mA
$I_{OL}$	Low-level output current			32	mA
$\Delta t / \Delta v$	Input transition rise or fall rate			5	ns/V
$f_{clock}$	Input clock frequency			90	MHz
$T_A$	Operating free-air temperature	–40		85	°C

NOTE 3: Unused inputs must be held high or low to prevent them from floating.



**CDC392**  
**1-LINE TO 6-LINE CLOCK DRIVER**  
**WITH SELECTABLE POLARITY AND 3-STATE OUTPUTS**

SCAS335A – DECEMBER 1992 – REVISED NOVEMBER 1995

**electrical characteristics over recommended operating free-air temperature range (unless otherwise noted)**

PARAMETER	TEST CONDITIONS		MIN	TYP†	MAX	UNIT
V <sub>IK</sub>	V <sub>CC</sub> = 4.75 V,	I <sub>I</sub> = -18 mA			-1.2	V
V <sub>OH</sub>	V <sub>CC</sub> = 4.75 V,	I <sub>OH</sub> = -32 mA	3.85			V
V <sub>OL</sub>	V <sub>CC</sub> = 4.75 V,	I <sub>OL</sub> = 32 mA			0.55	V
I <sub>I</sub>	V <sub>CC</sub> = 5.25 V,	V <sub>I</sub> = V <sub>CC</sub> or GND			±1	μA
I <sub>OZ</sub>	V <sub>CC</sub> = 5.25 V,	V <sub>O</sub> = V <sub>CC</sub> or GND			±50	μA
I <sub>CC</sub>	V <sub>CC</sub> = 5.25 V, V <sub>I</sub> = V <sub>CC</sub> or GND	I <sub>O</sub> = 0,	Outputs high		10	mA
			Outputs low		40	
			Outputs disabled		10	
C <sub>i</sub>	V <sub>I</sub> = 2.5 V or 0.5 V			3		pF
C <sub>o</sub>	V <sub>O</sub> = V <sub>CC</sub> or GND			7		pF

† All typical values are at V<sub>CC</sub> = 5 V, T<sub>A</sub> = 25°C

**switching characteristics over recommended ranges of supply voltage and operating free-air temperature (see Figures 1 and 2)**

PARAMETER	FROM (INPUT)	TO (OUTPUT)	MIN	TYP	MAX	UNIT
t <sub>PLH</sub>	A	Any Y	2		6.5	ns
t <sub>PHL</sub>			1.5		5	
t <sub>PLH</sub>	$\bar{T}/C$	Any Y	1.5		5	ns
t <sub>PHL</sub>			1.5		5	
t <sub>PZH</sub>	$\overline{OE}$	Any Y	1.5		6	ns
t <sub>PZL</sub>			3		8	
t <sub>PHZ</sub>	$\overline{OE}$	Any Y	1.5		5	ns
t <sub>PLZ</sub>			1.5		5	
t <sub>sk(o)</sub>	A	Any Y (same phase)			0.6	ns
		Any Y (any phase)			2.2	
t <sub>r</sub>				1.4		ns
t <sub>f</sub>				0.83		ns



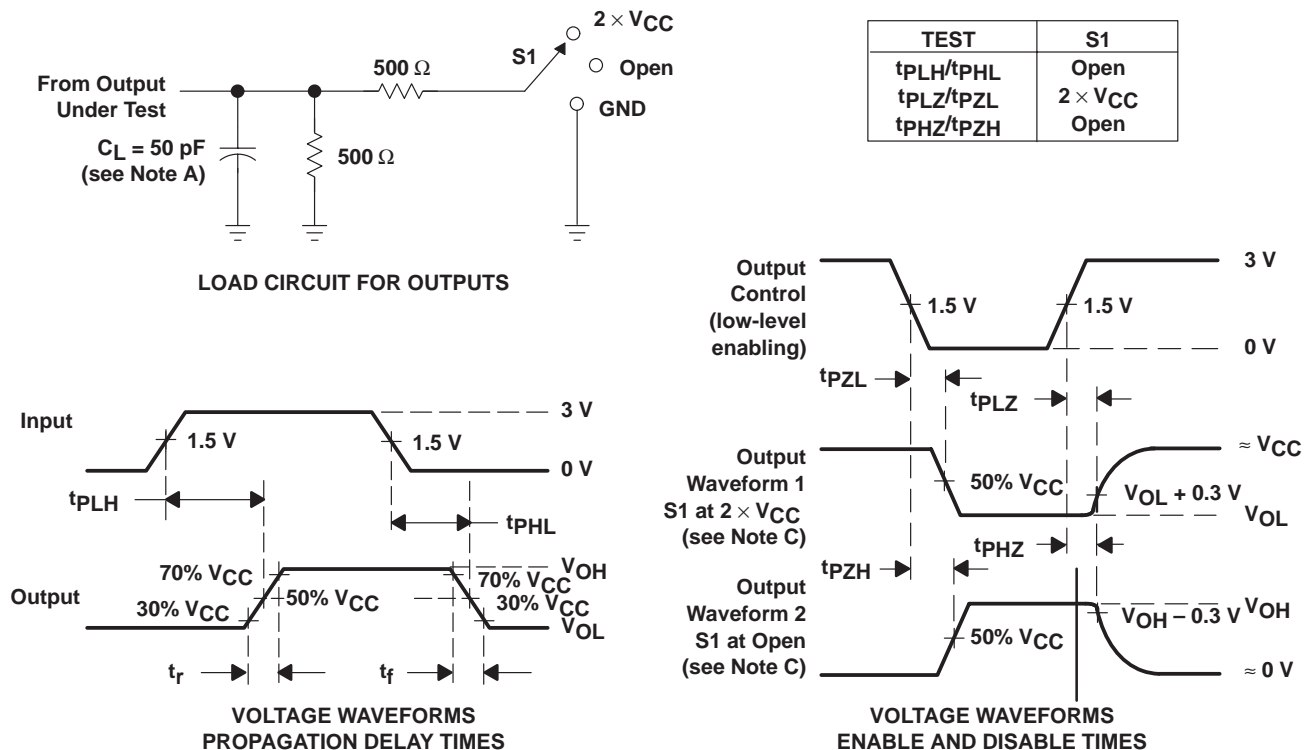
# CDC392

## 1-LINE TO 6-LINE CLOCK DRIVER

### WITH SELECTABLE POLARITY AND 3-STATE OUTPUTS

SCAS335A – DECEMBER 1992 – REVISED NOVEMBER 1995

#### PARAMETER MEASUREMENT INFORMATION



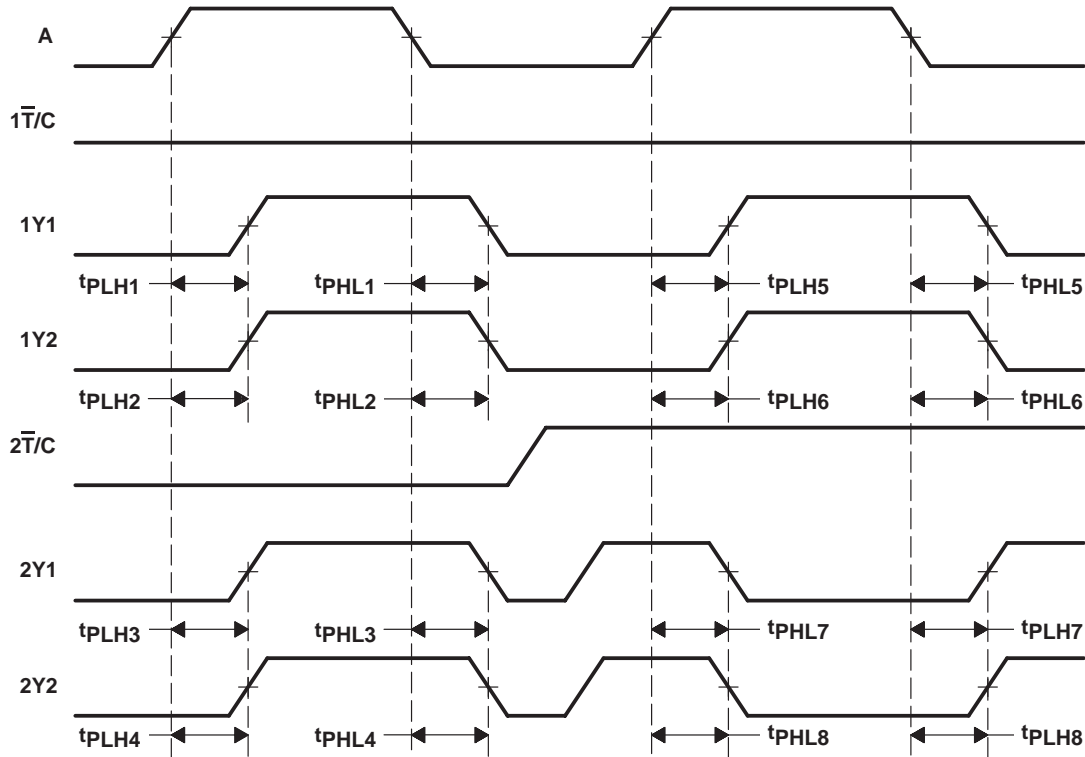
- NOTES: A.  $C_L$  includes probe and jig capacitance.
- B. All input pulses are supplied by generators having the following characteristics:  $PRR \leq 10 \text{ MHz}$ ,  $Z_O = 50 \Omega$ ,  $t_r \leq 2.5 \text{ ns}$ ,  $t_f \leq 2.5 \text{ ns}$ .
- C. Waveform 1 is for an output with internal conditions such that the output is low except when disabled by the output control. Waveform 2 is for an output with internal conditions such that the output is high except when disabled by the output control.
- D. The outputs are measured one at a time with one transition per measurement.

**Figure 1. Load Circuit and Voltage Waveforms**

**CDC392**  
**1-LINE TO 6-LINE CLOCK DRIVER**  
**WITH SELECTABLE POLARITY AND 3-STATE OUTPUTS**

SCAS335A – DECEMBER 1992 – REVISED NOVEMBER 1995

**PARAMETER MEASUREMENT INFORMATION**



- NOTES: A. Output skew,  $t_{sk(o)}$ , from A to any Y (same phase), can be measured only between outputs for which the respective polarity-control inputs ( $\overline{T/C}$ ) are at the same logic level. It is calculated as the greater of:
- The difference between the fastest and slowest of  $t_{PLH}$  from  $A\uparrow$  to any Y (e.g.,  $t_{PLHn}$ ,  $n = 1$  to 4; or  $t_{PLHn}$ ,  $n = 5$  to 6)
  - The difference between the fastest and slowest of  $t_{PHL}$  from  $A\downarrow$  to any Y (e.g.,  $t_{PHLn}$ ,  $n = 1$  to 4; or  $t_{PHLn}$ ,  $n = 5$  to 6)
  - The difference between the fastest and slowest of  $t_{PLH}$  from  $A\downarrow$  to any Y (e.g.,  $t_{PLHn}$ ,  $n = 7$  to 8)
  - The difference between the fastest and slowest of  $t_{PHL}$  from  $A\uparrow$  to any Y (e.g.,  $t_{PHLn}$ ,  $n = 7$  to 8)
- B. Output skew,  $t_{sk(o)}$ , from A to any Y (any phase), can be measured between outputs for which the respective polarity-control inputs ( $\overline{T/C}$ ) are at the same or different logic levels. It is calculated as the greater of:
- The difference between the fastest and slowest of  $t_{PLH}$  from  $A\uparrow$  to any Y or  $t_{PHL}$  from  $A\uparrow$  to any Y (e.g.,  $t_{PLHn}$ ,  $n = 1$  to 4; or  $t_{PLHn}$ ,  $n = 5$  to 6, and  $t_{PHLn}$ ,  $n = 7$  to 8)
  - The difference between the fastest and slowest of  $t_{PHL}$  from  $A\downarrow$  to any Y or  $t_{PLH}$  from  $A\downarrow$  to any Y (e.g.,  $t_{PHLn}$ ,  $n = 1$  to 4; or  $t_{PHLn}$ ,  $n = 5$  to 6, and  $t_{PLHn}$ ,  $n = 7$  to 8)

**Figure 2. Waveforms for Calculation of  $t_{sk(o)}$**

## IMPORTANT NOTICE

Texas Instruments and its subsidiaries (TI) reserve the right to make changes to their products or to discontinue any product or service without notice, and advise customers to obtain the latest version of relevant information to verify, before placing orders, that information being relied on is current and complete. All products are sold subject to the terms and conditions of sale supplied at the time of order acknowledgement, including those pertaining to warranty, patent infringement, and limitation of liability.

TI warrants performance of its semiconductor products to the specifications applicable at the time of sale in accordance with TI's standard warranty. Testing and other quality control techniques are utilized to the extent TI deems necessary to support this warranty. Specific testing of all parameters of each device is not necessarily performed, except those mandated by government requirements.

CERTAIN APPLICATIONS USING SEMICONDUCTOR PRODUCTS MAY INVOLVE POTENTIAL RISKS OF DEATH, PERSONAL INJURY, OR SEVERE PROPERTY OR ENVIRONMENTAL DAMAGE ("CRITICAL APPLICATIONS"). TI SEMICONDUCTOR PRODUCTS ARE NOT DESIGNED, AUTHORIZED, OR WARRANTED TO BE SUITABLE FOR USE IN LIFE-SUPPORT DEVICES OR SYSTEMS OR OTHER CRITICAL APPLICATIONS. INCLUSION OF TI PRODUCTS IN SUCH APPLICATIONS IS UNDERSTOOD TO BE FULLY AT THE CUSTOMER'S RISK.

In order to minimize risks associated with the customer's applications, adequate design and operating safeguards must be provided by the customer to minimize inherent or procedural hazards.

TI assumes no liability for applications assistance or customer product design. TI does not warrant or represent that any license, either express or implied, is granted under any patent right, copyright, mask work right, or other intellectual property right of TI covering or relating to any combination, machine, or process in which such semiconductor products or services might be or are used. TI's publication of information regarding any third party's products or services does not constitute TI's approval, warranty or endorsement thereof.