

LITEON

φ 50mm LED Cluster Lamp LTM-9062-1

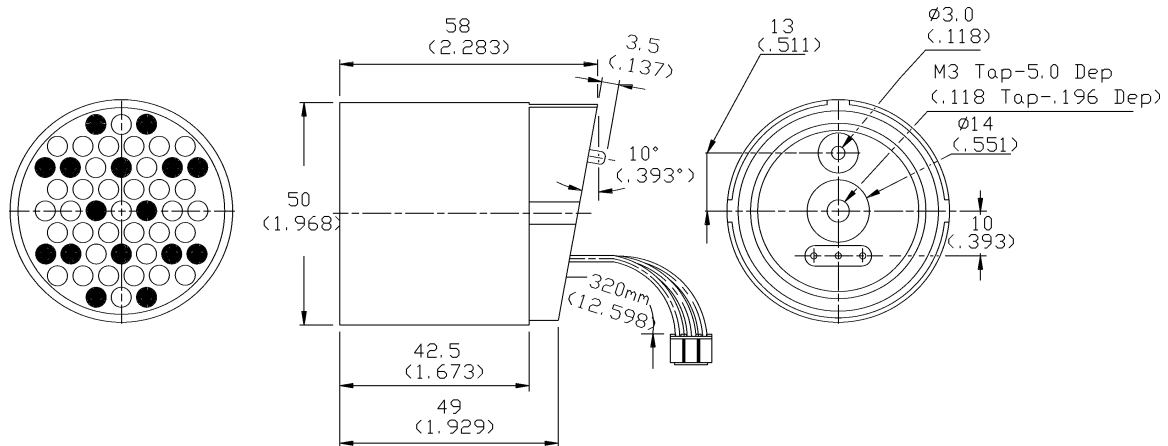
Features

- Waterproof seating and rigid package.
- Wide viewing angle and good reliability.
- Long operation life and low power consumption.
- High luminous intensity for outdoor display applications.
- Multicolor provides a variable color display.

Description

- φ 50mm three-color (red,yellow-green and orange) LED lamp cluster.
- Number of built in LED lamps: 16 pcs of ultra bright red LED & 35 pcs of yellow-green LED.

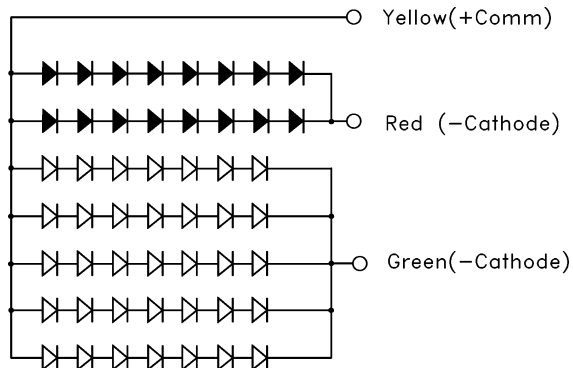
Package Dimensions



Notes:

1. All dimensions are in millimeters (inches.)
2. Tolerance is $\pm 0.25\text{mm}$ (.010") unless otherwise noted.

Internal Circuit



6-50

www.DataSheet4U.com

Absolute Maximum Ratings at Ta=25°C

Parameter	Red	Green	Orange	Unit
Power Dissipation	1.1	2.2	3.3	W
Continuous Forward Current	60	125		mA
Reverse Voltage	40	35		V
Operating Temperature Range	-25°C to +60°C			
Storage Temperature Range	-30°C to +80°C			

Electrical Characteristics at Ta=25°C

Parameter	Symbol	Color	Min.	Typ.	Max.	Unit	Test Condition
Forward Voltage	V _F	Red Green		15.6 15.4		V	I _F =40mA I _F =100mA
Reverse Current	I _R	Red Green			100 200	μA	V _R =40V V _R =35V

Optical Characteristics at Ta=25°C

Parameter	Symbol	Color	Min.	Typ.	Max.	Unit	Test Condition
Dominant Wavelength	λ _d	Red Green		638 569		nm	I _F =40mA I _F =100mA
Luminous Intensity	I _v	Red Green Orange		9.0 5.5 14.5		cd	I _F =40mA I _F =100mA
Viewing Angle	2θ _{1/2}	Red Green		36 36		deg	