

PRODUCT SPECIFICATION

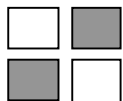
MONOCHROME LCD MODULE

PART NUMBER : FDG122032N

DESCRIPTION : 32x122Graphic

REVISION : Rev A

	Approval for Specification only		Approval for Sample Only
	Approval for Pre-production	x	Approval for Mass Production



FDG122032N (122 DOTS X 32 DOTS)

FEATURES

- ◆ BUILT-IN CONTROLLER (SED1520 OR EQUIVALENT)
- ◆ +5 V POWER SUPPLY
- ◆ 1/32 DUTY CYCLE
- ◆ 8-BIT PARALLEL INTERFACE
- ◆ 4.2 V LED FORWARD VOLTAGE

MECHANICAL DATA

ITEM	DIMENSIONS	UNIT
Module Size (W x H x T)	84.0 x 40.0 x 8.8 (12.7 LED)	mm
Viewing Area (W x H)	60.5 x 18.5	mm
Active Area (W x H)	53.64 x 15.64	mm
Dot Size (W x H)	0.40 x 0.45	mm
Dot Pitch (W x H)	0.44 x 0.49	mm

INTERFACE PIN CONNECTIONS

NO.	SYMBOL	LEVEL	FUNCTION
1	V _{SS}	0V	Power Supply Ground
2	V _{DD}	5V	Power Supply Voltage
3	V _o	-	Contrast Adjustment Voltage
4	A _o	H/L	Data Type Select Signal
5	E1		Enable IC1
6	E2		Enable IC2
7	NC	-	No Control
8	NC	-	No Control
9	R/W	H/L	H: Read / L: Write
10~17	DB0~DB7	H/L	Data Bus Line
18	/RES	L	Reset Signal
19	A	4.2V	LED Power (+)
20	K	0V	LED Power (-)

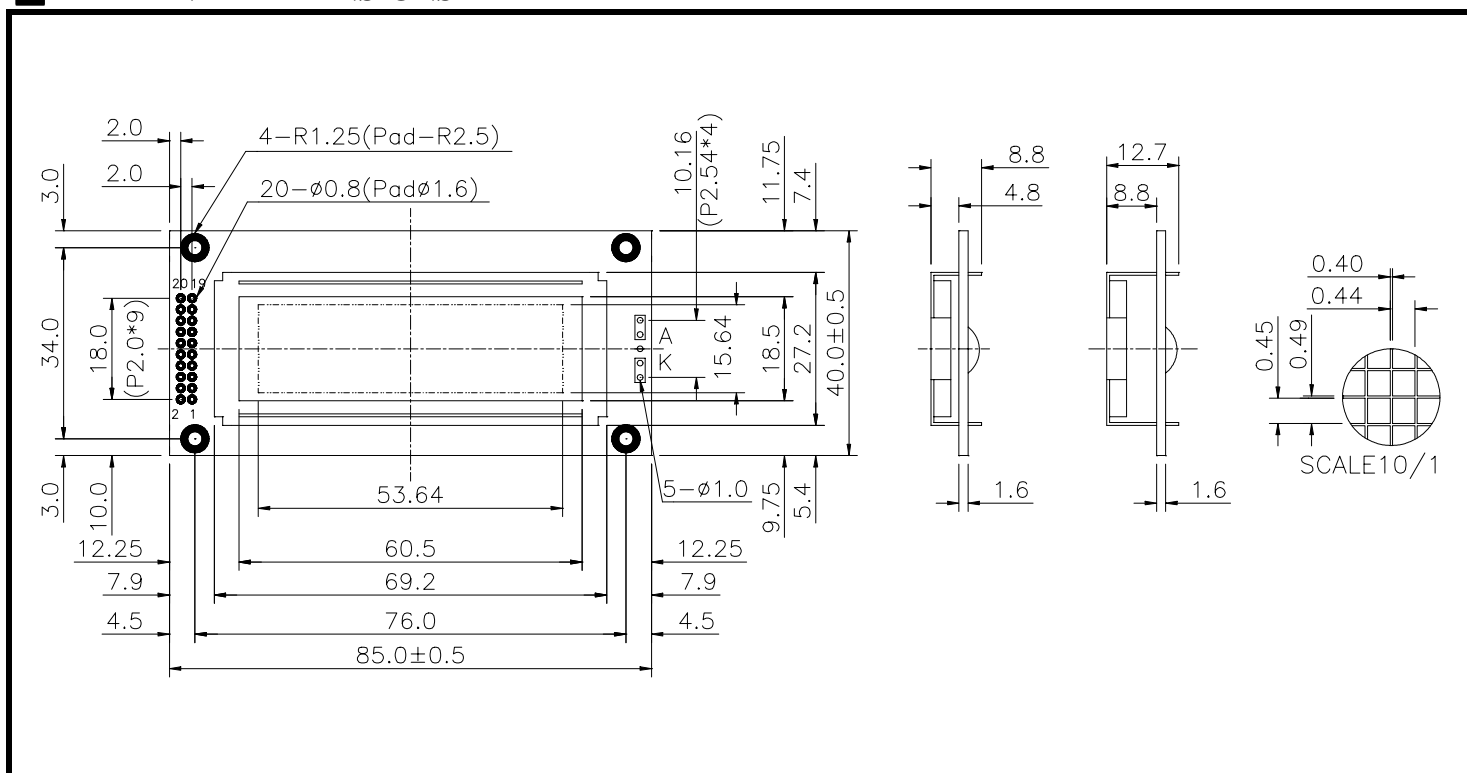
ABSOLUTE MAXIMUM RATINGS

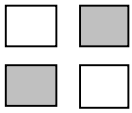
ITEM	SYMBOL	MIN.	TYP.	MAX.	UNIT
Supply Voltage For Logic	V _{DD} -V _{SS}	0	-	7	V
Supply Voltage For LCD Drive	V _{DD} -V _o	0	-	12	V
Input Voltage	V _I	V _{SS}	-	V _{DD}	V

ELECTRICAL CHARACTERISTICS

ITEM	SYMBOL	CONDITION	MIN.	TYP.	MAX.	UNIT	
Supply Voltage For Logic	V _{DD} -V _{SS}	-	4.5	5	5.5	V	
Supply Voltage For LCD	V _{DD} -V _o	V _{DD} =5V Ta=25°C	4.4	4.8	5.2	V	
Supply Current	I _{DD}	V _{DD} =5V	-	2.5	4.5	mA	
Input Voltage	"HIGH" Level	V _{IH}	-	2.2	-	V _{DD}	V
	"LOW" Level	V _{IL}	-	-	-	0.6	V
Output Voltage	"HIGH" Level	V _{OH}	-	2.4	-	-	V
	"LOW" Level	V _{OL}	-	-	-	0.4	V

EXTERNAL DIMENSIONS

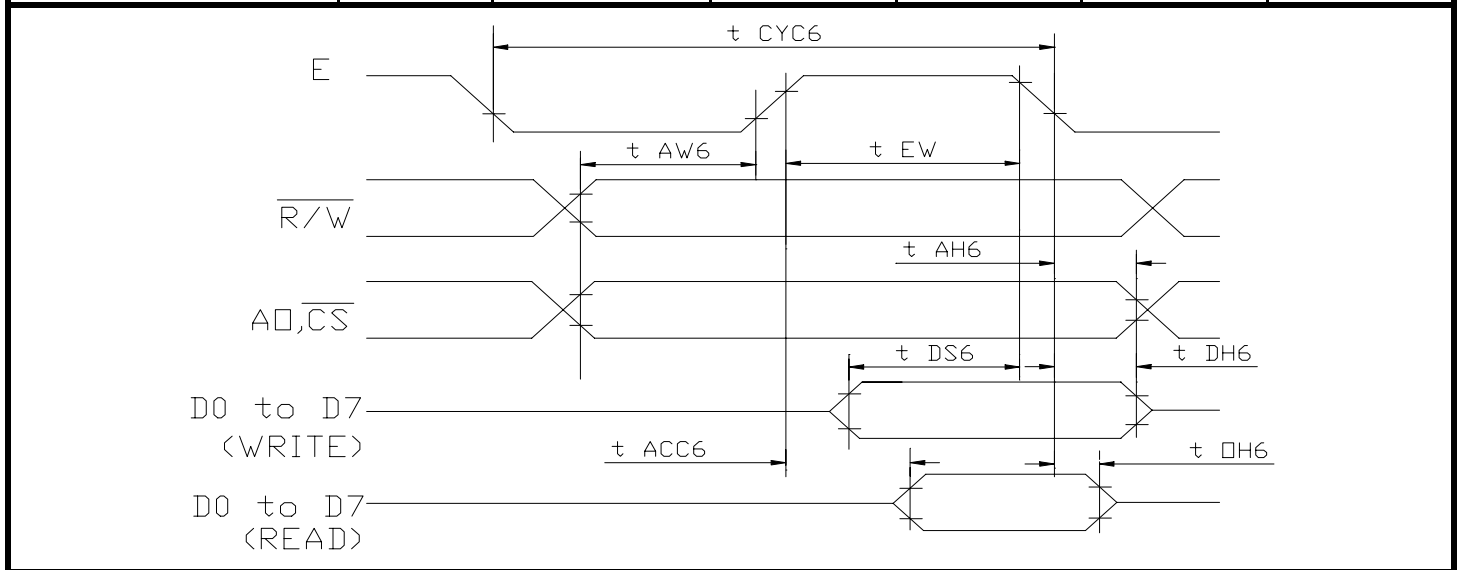




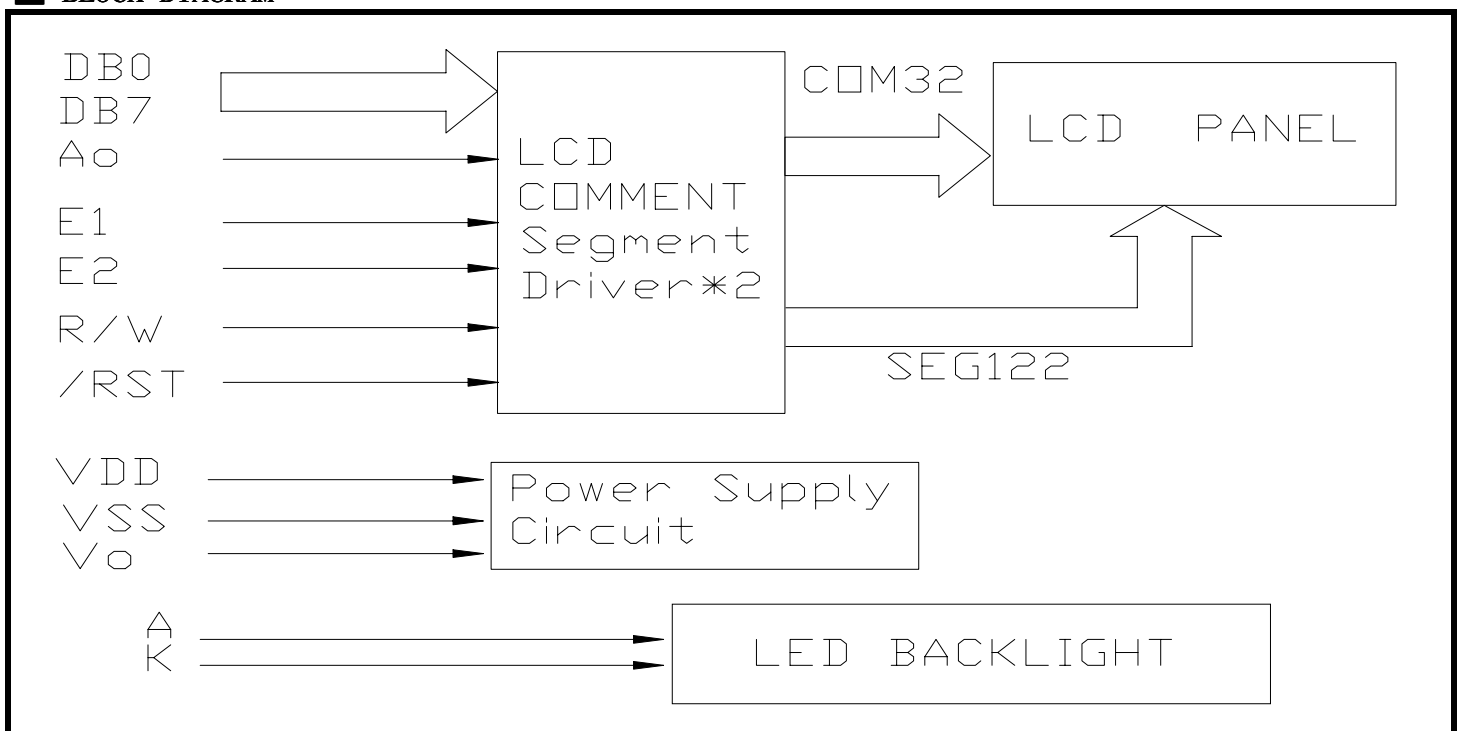
FDG122032N (122 DOTS X 32 DOTS)

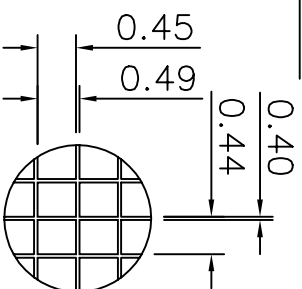
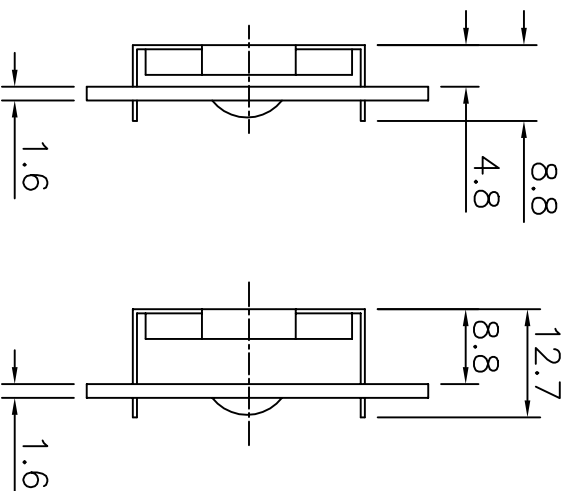
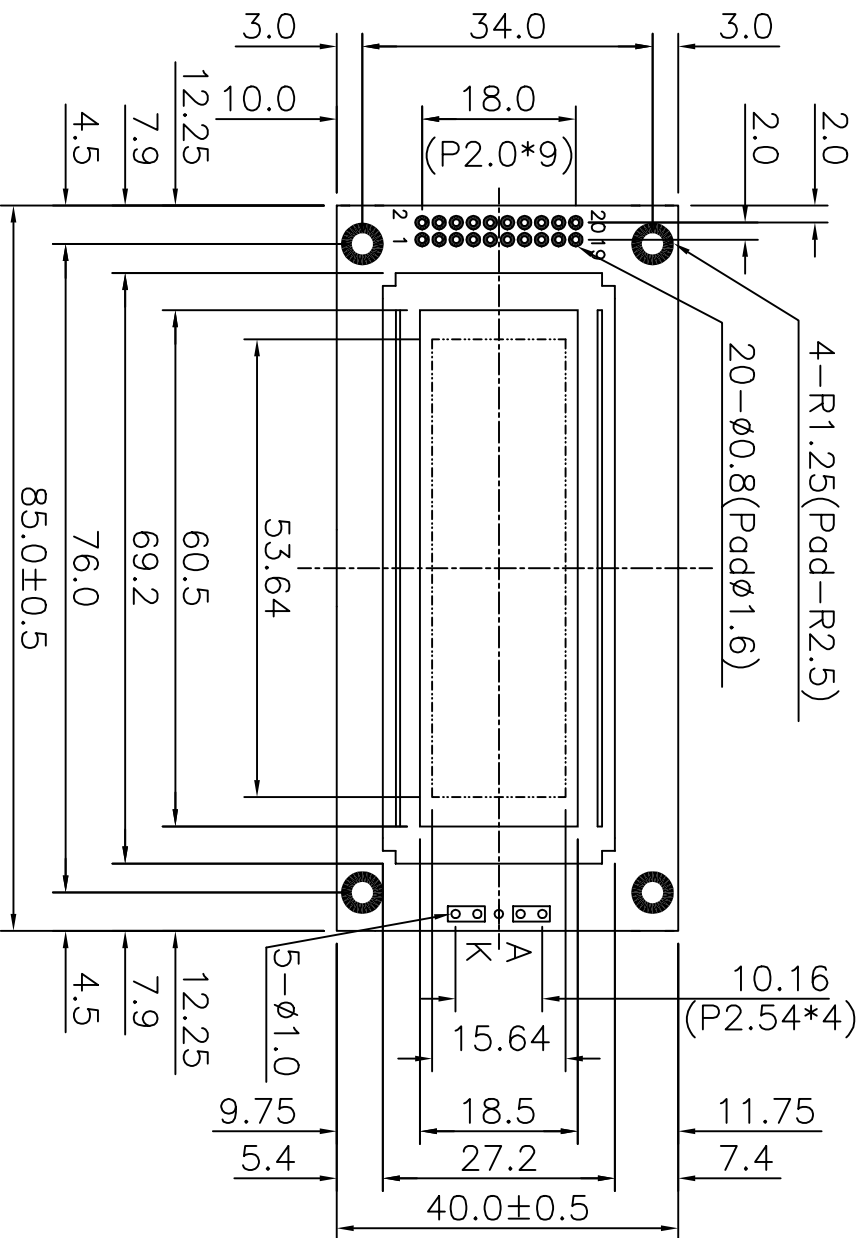
■ TIMING CHARACTERISTICS

ITEM	SYMBOL	MIN.	TYP.	MAX.	UNIT.
System Cycle Time	t_{CYC6}	1000	-	-	ns
Address Set-up Time	t_{AW6}	20	-	-	ns
Address Hold Time	t_{AH6}	10	-	-	ns
Data Set-up Time	t_{DS6}	80	-	-	ns
Data Hold Time	t_{DH6}	10	-	-	ns
Output Disable Time	t_{OH6}	10	-	60	ns
Access Time	t_{ACC6}	-	-	90	ns
Enable Pulse Width	Read	t_{EW}	-	-	ns
	Write				



■ BLOCK DIAGRAM





SCALE 10:1

PIN NO	SIGNAL
1	VSS
2	VDD
3	VO
4	A0
5	R1
6	R2
7	NC
8	NC
9	R/W
10	DB0
11	DB1
12	DB2
13	DB3
14	DB4
15	DB5
16	DB6
17	DB7
18	/RES
19	A
20	K

NOTE	ITEM	CONTENT	DATA	REV	TOLERANCE	SCALE	UNIT	DWYN	CUSTOMER	APVL	TITLE	MODEL	DWG NO	PAGE
		CHANGE NUMBER	2004.03.01	0	X. ±0.30 X ±0.20 .XX±0.05	1/1	mm	Gilli	2004.03.01		MODULE	SG12232N	A-A2-0032	1/1

SUNLIKE DISPLAY