
CH7021A SDTV / HDTV Encoder

Features

- VGA to SDTV/EDTV/HDTV conversion supporting graphics resolutions up to 1600x1200
- HDTV support for 480p, 576p, 720p, 1080i and 1080p
- Support for NTSC, PAL, SECAM color modulation.
- Macrovision™ 7.1.L1 copy protection support for SDTV
- Macrovision™ copy protection support for progressive scan TV (480p, 576p)
- CGMS-A support for SDTV and HDTV
- High-speed SDVO[◇] (1G~2Gbps) AC-coupled serial differential RGB inputs
- Flexible TrueScale™ rendering engine supports overscan compensation in all SDTV/EDTV and HDTV output resolutions †‡
- Text enhancement filter in scan conversion‡
- Adaptive de-flicker filter with up to 7 lines of filtering in scan conversion‡
- Contrast/Brightness/Sharpness control for TV output.
- Hue/Saturation Control for TV output.
- Support for SCART connector
- Support for HDTV D-Connector
- Outputs CVBS, S-Video, RGB and YPbPr
- Support for VGA RGB bypass
- TV / Monitor connection detect
- Programmable power management
- Four 10-bit video DAC outputs
- Three sets of DAC outputs supporting SDTV / HDTV / CRT RGB connectors
- Fully programmable through serial port
- Configuration through Intel® SDVO OpCode[◇]
- Complete Windows driver support
- Offered in a 64-pin LQFP package

† Patent number 5,781,241

‡ Patent number 5,914,753

◇ Intel Proprietary.

General Description

The CH7021A is a Display Controller device which accepts a digital graphics input signal, and encodes and transmits data through analog SDTV ports (analog composite, s-video, RGB or YPrPb) or an analog HDTV port (YPrPb). The device is able to encode the video signals and generate synchronization signals for NTSC, PAL and SECAM SDTV standards, as well as analog HDTV interface standards and graphics standards up to UXGA. The device accepts one channel of RGB data over three pairs of serial data ports.

The TV-Out processor will perform scaling to convert VGA frames to supported SDTV and HDTV output standards. Adaptive de-flicker filter provides superior text display. Large numbers of input graphics resolutions are supported up to 1600 by 1200 with full vertical and horizontal overscan compensation in all output standards. A high accuracy low jitter phase locked loop is integrated to create outstanding video quality.

In addition to scaling modes, bypass modes are included which perform color space conversion to SDTV or HDTV standards and generate and insert SDTV or HDTV sync signals, or output VGA style analog RGB for use as a CRT DAC.

Different analog video connectors are supported including composite, s-video, YPrPb, SCART, D-connector and VGA connector.

Content protection support is provided for Macrovision™ in SDTV and EDTV modes. CGMS-A is also provided up to 1080i resolution.

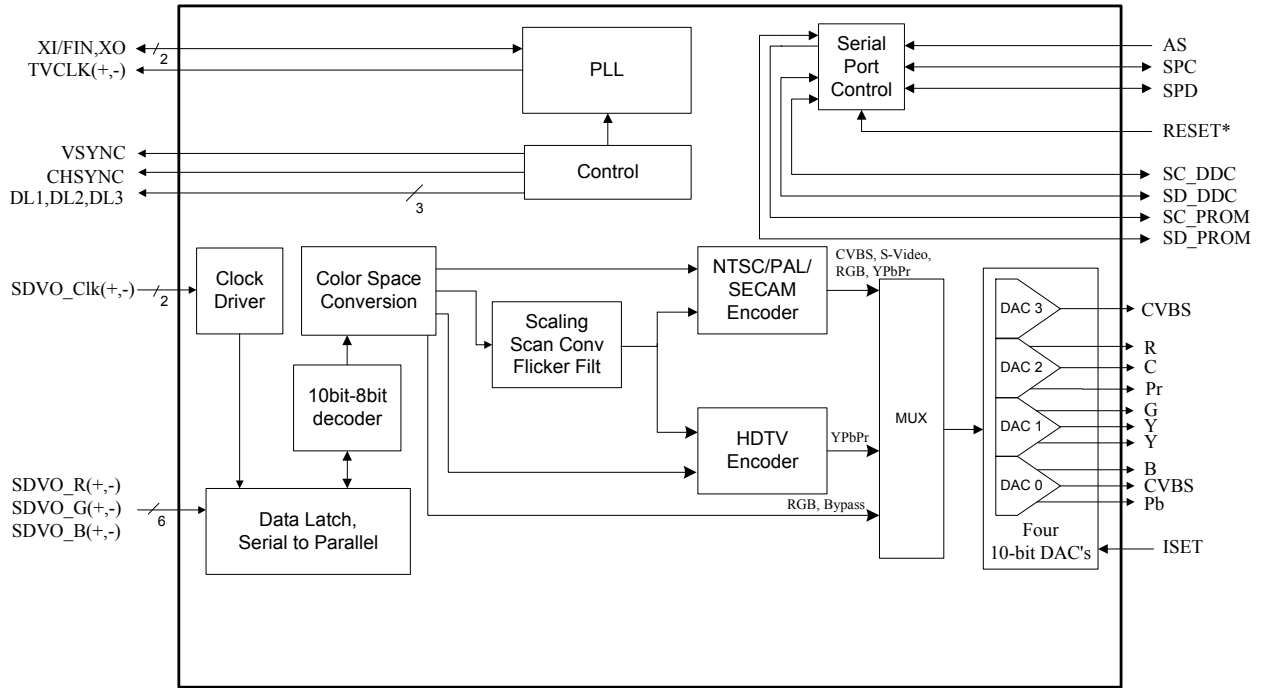


Figure 1: Functional Block Diagram

1.0 Pin-Out

1.1 Package Diagram

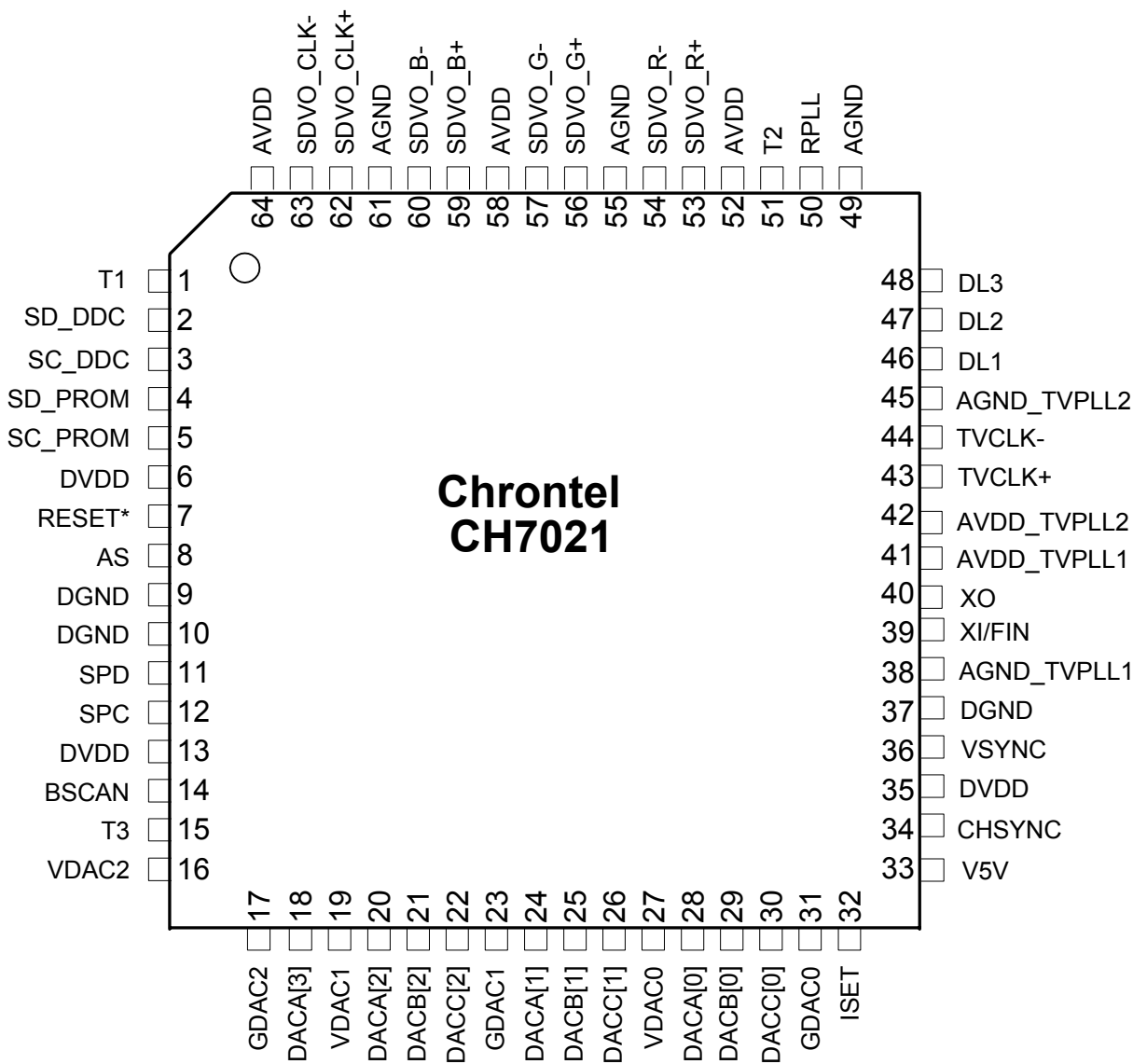


Figure 2: 64-Pin LQFP Package

1.2 Pin Description

Table 1: Pin Description

Pin #	Type	Symbol	Description
1,51	Out	T1,T2	Test These pins are reserved for factory test.
2	In/Out	SD_DDC	Routed Serial Port Data Output to DDC This pin functions as the bi-directional data pin of the serial port to DDC receiver. This pin will require a pull-up resistor to the desired high state voltage. Leave open if unused.
3	In/Out	SC_DDC	Routed Serial Port Clock Output to DDC This pin functions as the clock bus of the serial port to DDC receiver. This pin will require a pull-up resistor to the desired high state voltage. Leave open if unused.
4	In/Out	SD_PROM	Routed Data Output to PROM This pin functions as the bi-directional data pin of the serial port for PROM on ADD2 [◇] card. This pin will require a pull-up resistor to the desired high state voltage. Leave open if unused.
5	Out	SC_PROM	Routed Clock Output to PROM This pin functions as the clock bus of the serial port to PROM on ADD2 card. This pin will require a pull-up resistor to the desired high state voltage. Leave open if unused.
7	In	RESET*	Reset* Input (Internal pull-up) When this pin is low, the device is held in the power-on reset condition. When this pin is high, reset is controlled through the serial port register. This pin is 3.3V compliant.
8	In	AS	Address Select (Internal pull-up) This pin determines the serial port address of the device (0,1,1,1,0,0,AS*,0). When AS is low the address is 72h, when high the address is 70h.
11	In/Out	SPD	Serial Port Data Input / Output This pin functions as the bi-directional data pin of the serial port and operates with inputs from 0 to 2.5V. Outputs are driven from 0 to 2.5V. This pin requires an external 4k Ω - 9 k Ω pull up resistor to 2.5V.
12	In/Out	SPC	Serial Port Clock Input This pin functions as the clock input of the serial port and operates with inputs from 0 to 2.5V. This pin requires an external 4k Ω - 9k Ω pull up resistor to 2.5V.
14	In	BSCAN	BSCAN (internal pull low) This pin should be left open or pulled low with a 10k resistor in the application. This pin enables the boundary scan for in-circuit testing. Voltage level is 0 to DVDD. This pin should be pulled low during normal operation.
15	In	T3	Test (internal pull-down) This pin should be left open or pulled low with a 10k resistor in the application.
18,20,24,28	Out	DACA[3:0]	DAC Output A Video Digital-to-Analog outputs. Refer to section Error! Reference source not found. for information regarding support for Composite Video, S-Video, SCART, YPrPb and RGB Bypass outputs. Each output is capable of driving a 75-ohm doubly terminated load.
21,25,29	Out	DACB[2:0]	DAC Output B Video Digital-to-Analog outputs. Refer to section Error! Reference source not found. for information regarding supports for Composite Video, S-Video, SCART, YPrPb and RGB Bypass outputs. Each output is capable of driving a 75-ohm doubly terminated load.

[◇] Intel Proprietary.

Table 1: Pin Description (contd.)

Pin #	Type	Symbol	Description
22,26,30	Out	DACC[2:0]	DAC Output C Video Digital-to-Analog outputs. Refer to section Error! Reference source not found. for information regarding supports for Composite Video, S-Video, SCART, YPrPb and RGB Bypass outputs. Each output is capable of driving a 75-ohm doubly terminated load.
32	In	ISET	Current Set Resistor Input This pin sets the DAC current. A 1.2Kohm resistor should be connected between this pin and DAC ground (pin 31) using short and wide traces.
34	Out	CHSYNC	Composite / Horizontal Sync Output A buffered version of VGA composite sync as well as horizontal sync can be acquired from this pin.
36	Out	VSYNC	VSYNC A buffered version of VGA vertical sync can be acquired from this pin.
39	In	XI/FIN	Crystal Input / External Reference Input A parallel resonant 27MHz crystal (± 20 ppm) should be attached between this pin and XO. However, an external CMOS clock can drive the XI/FIN input.
40	Out	XO	Crystal Output A parallel resonance 27MHz crystal (± 20 ppm) should be attached between this pin and XI/FIN. However, if an external CMOS clock is attached to the XI/FIN input, XO should be left open.
43,44	Out	TVCLK+/-	Pixel Clock Output When the chip is operating as a TV encoder in master clock mode, this pair outputs a differential clock to the VGA controller. The VGA controller uses this as a reference frequency to generate SDVO_CLK+/- to the chip. The clock frequency is between 100MHz ~ 200MHz. This clock pair will run at an integer multiple of the desired input pixel rate. Refer to section Error! Reference source not found. for details.
46	Out	DL1	D-Connector Line 1 Video format identification line for HDTV D-Connector. See section Error! Reference source not found.
47	Out	DL2	D-Connector Line 2 Video format identification line for HDTV D-Connector. See section Error! Reference source not found.
48	Out	DL3	D-Connector Line 3 Video format identification line for HDTV D-Connector. See section Error! Reference source not found.
50	In	RPLL	PLL Resistor Input External resistor 10Kohm should be connected between this pin and pin 49.
53,54,56,57,59,60	In	SDVO_R+/-, SDVO_G+/-, SDVO_B+/-	SDVO Data Channel Inputs These pins accept 3 AC-coupled differential pair of RGB inputs from a digital video port of a graphics controller.
62,63	In	SDVO_CLK+/-	Differential Clock Input associated with SDVO Data channel (SDVO_R+/-, SDVO_G+/-, SDVO_B+/-) The range of this clock pair is 100~200MHz. For specified pixel rates in specified modes this clock pair will run at an integer multiple of the pixel rate. Refer to section Error! Reference source not found. for details.

Table 1: Pin Description (contd.)

Pin #	Type	Symbol	Description
6,13,35	Power	DVDD	Digital Supply Voltage (2.5V)
9,10,37	Power	DGND	Digital Ground
16	Power	VDAC2	DAC Supply Voltage (3.3V)
17	Power	GDAC2	DAC Ground
19	Power	VDAC1	DAC Supply Voltage (3.3V)
23	Power	GDAC1	DAC Ground
27	Power	VDAC0	DAC Supply Voltage (3.3V)
31	Power	GDAC0	DAC Ground
41	Power	AVDD_TVPLL1	TV PLL1 Supply Voltage (2.5V)
38	Power	AGND_TVPLL1	TV PLL1 Ground
42	Power	AVDD_TVPLL2	TV PLL2 Supply Voltage (2.5V)
45	Power	AGND_TVPLL2	TV PLL2 Ground
52,58,64	Power	AVDD	Analog Supply Voltage (2.5V)
49,55,61	Power	AGND	Analog Ground
33	Power	V5V	D-Connector Supply Voltage (5V)

2.0 Package Dimensions

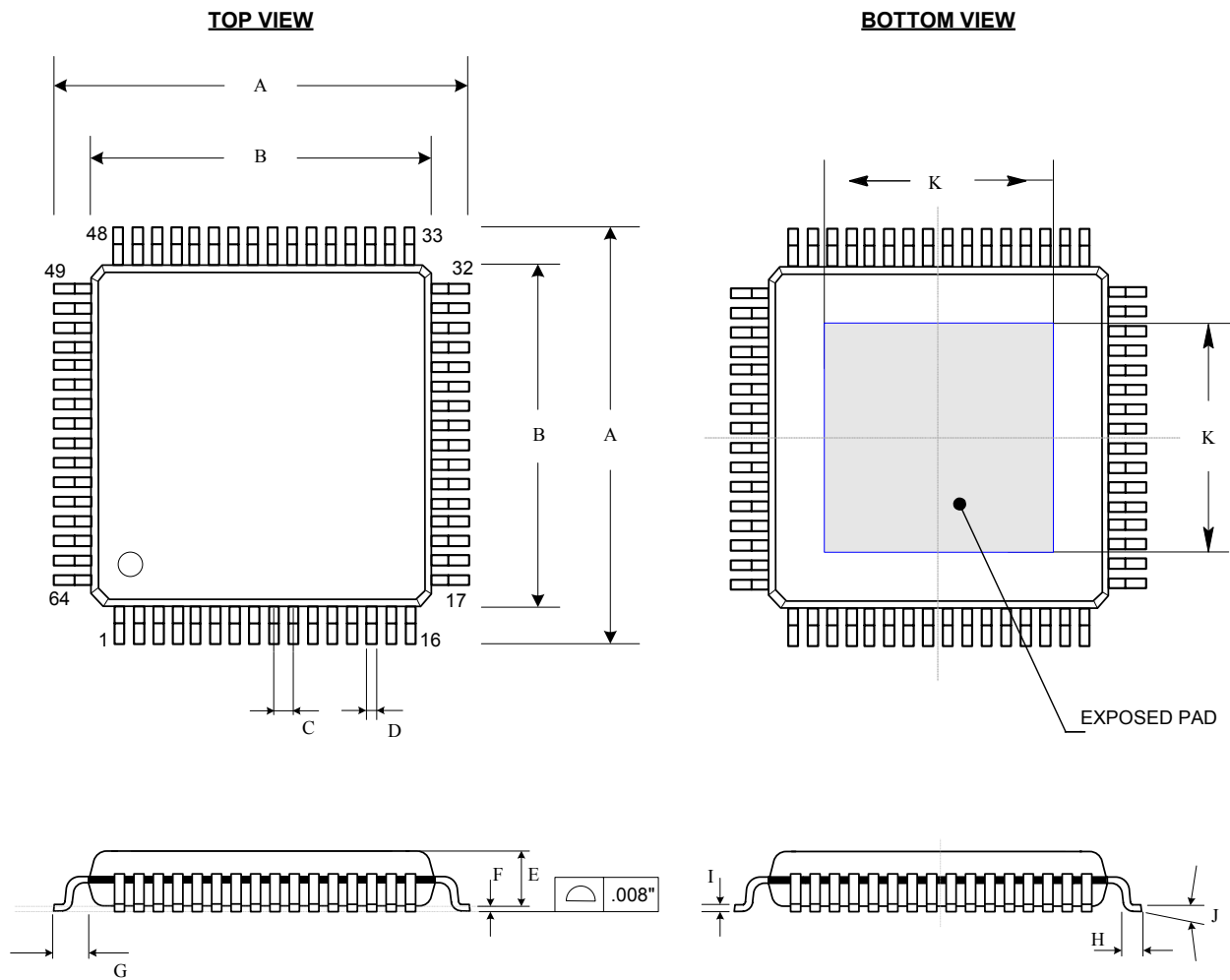


Figure 3: 64 Pin LQFP (Exposed Pad) Package

Table of Dimensions

No. of Leads		SYMBOL										
64 (10 X 10 mm)		A	B	C	D	E	F	G	H	I	J	K
Milli-meters	MIN	12	10	0.50	0.17	1.35	0.05	1.00	0.45	0.09	0°	5.85
	MAX				0.27	1.45	0.15		0.75	0.20	7°	7

Notes:

1. Conforms to JEDEC standard JESD-30 MS-026D.
2. Dimension B: Top Package body size may be smaller than bottom package size by as much as 0.15 mm.
3. Dimension B does not include allowable mold protrusions up to 0.25 mm per side.

Disclaimer

This document provides technical information for the user. Chrontel reserves the right to make changes at any time without notice to improve and supply the best possible product and is not responsible and does not assume any liability for misapplication or use outside the limits specified in this document. We provide no warranty for the use of our products and assume no liability for errors contained in this document. The customer should make sure that they have the most recent data sheet version. Customers should take appropriate action to ensure their use of the products does not infringe upon any patents. Chrontel, Inc. respects valid patent rights of third parties and does not infringe upon or assist others to infringe upon such rights.

Chrontel PRODUCTS ARE NOT AUTHORIZED FOR AND SHOULD NOT BE USED WITHIN LIFE SUPPORT SYSTEMS OR NUCLEAR FACILITY APPLICATIONS WITHOUT THE SPECIFIC WRITTEN CONSENT OF Chrontel. Life support systems are those intended to support or sustain life and whose failure to perform when used as directed can reasonably expect to result in personal injury or death.

ORDERING INFORMATION			
Part Number	Package Type	Number of Pins	Voltage Supply
CH7021A-TE	LQFP with exposed pad	64	2.5V & 3.3V
CH7021A-TE-TR	LQFP with exposed pad in Tape & Reel	64	2.5V & 3.3V
CH7021A-TEF	Lead Free LQFP with exposed pad	64	2.5V & 3.3V
CH7021A-TEF-TR	Lead Free LQFP with exposed pad in Tape & Reel	64	2.5V & 3.3V

Chrontel

2210 O'Toole Avenue, Suite 100,
San Jose, CA 95131-1326
Tel: (408) 383-9328
Fax: (408) 383-9338
www.chrontel.com
E-mail: sales@chrontel.com