

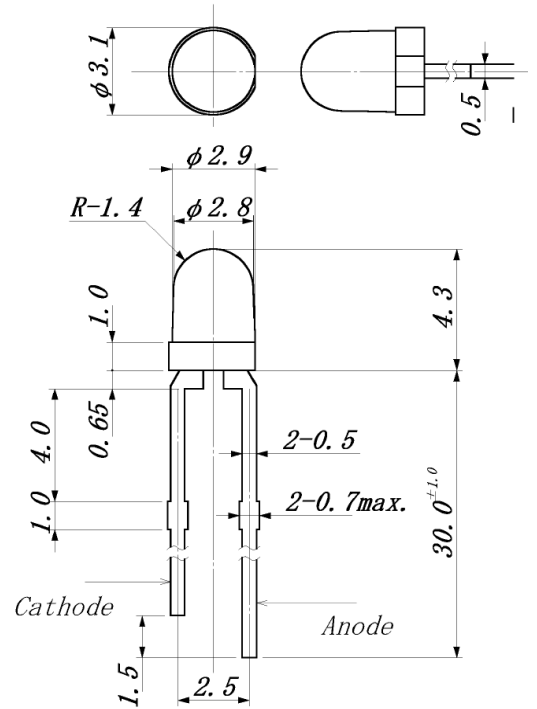
## MT6700C-UR2

### Features

- High Output Power
- High Reliability
- Compact Package

### Maximum Ratings (Ta=25°C)

Characteristic	Symbol	Max.	Test Condition	Unit
Forward Current	I <sub>F</sub>	50	-	mA
Pulsed Forward Current	I <sub>FP</sub>	.50	tw=10μ S, T=10mS	A
Reverse Voltage	V <sub>R</sub>	5	-	V
Power Dissipation	P <sub>D</sub>	120.00	-	mW
Operating Temperature	T <sub>opr</sub>	-20 ~ +100	-	°C
Storage Temperature	T <sub>stg</sub>	-30 ~ +100	-	°C
Junction Temperature	T <sub>j</sub>	100	-	°C
Soldering Temperature	T <sub>sol</sub>	260	for 5 sec. max	°C



### Opto-Electrical Characteristics (Ta=25°C)

Characteristic	Symbol	Test Condition	Min	Typ	Max	Unit
Forward Voltage	V <sub>F</sub>	I <sub>F</sub> =20mA	-	1.80	2.20	V
Reverse Current	I <sub>R</sub>	V <sub>R</sub> =5V	-	-	10	μ A
Power Output	PO	I <sub>F</sub> =20mA	5.00	7.00	-	mW
Half Intensity Beam Angle	θ	-	-	± 20°	-	deg.
Peak Wavelength	λ <sub>p</sub>	I <sub>F</sub> =20mA	-	675	-	nm
Spectral Line Half Width	Δλ	I <sub>F</sub> =20mA	-	25	-	nm