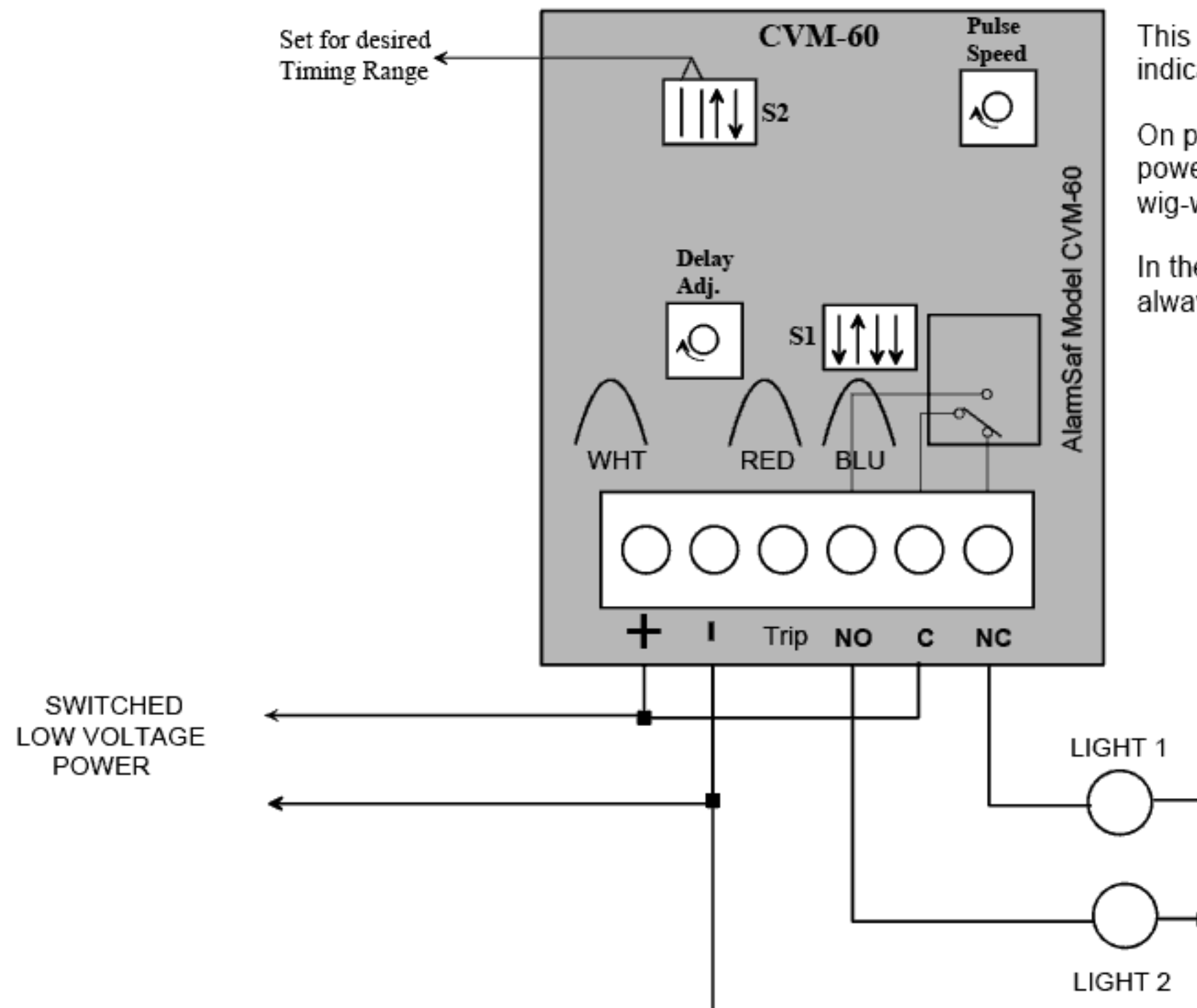




ALTERNATING LIGHTS FOR UNIQUE VISUAL SIGNAL SIGNAL WITH CUT-OFF



This circuit can be used to provide a unique visual indication for an annunciator or building.

On power up of the timer, the relay will alternately power each light bulb at a selectable rate resulting in a wig-wag effect.

In the event of a timer fault, a minimum of one light will always be activated in a steady fashion.