

**MOTOROLA**

# Serial Input PLL Frequency Synthesizer

The MC12210 is a 2.5 GHz Bipolar monolithic serial input phase locked loop (PLL) synthesizer with pulse–swallow function. It is designed to provide the high frequency local oscillator signal of an RF transceiver in handheld communication applications.

Motorola's advanced Bipolar MOSAIC™ V technology is utilized for low power operation at a minimum supply voltage of 2.7 V. The device is designed for operation over 2.7 to 5.5 V supply range for input frequencies up to 2.5 GHz with a typical current drain of 9.5 mA. The low power consumption makes the MC12210 ideal for handheld battery operated applications such as cellular or cordless telephones, wireless LAN or personal communication services. A dual modulus prescaler is integrated to provide either a 32/33 or 64/65 divide ratio.

For additional applications information, two *InterActiveApNote*™ documents containing software (based on a Microsoft Excel spreadsheet) and an Application Note are available. Please order DK305/D and DK306/D from the Motorola Literature Distribution Center.

- Low Power Supply Current of 8.8 mA Typical for I<sub>CC</sub> and 0.7 mA Typical for I<sub>p</sub>
- Supply Voltage of 2.7 to 5.5 V
- Dual Modulus Prescaler With Selectable Divide Ratios of 32/33 or 64/65
- On–Chip Reference Oscillator/Buffer
- Programmable Reference Divider Consisting of a Binary 14–Bit Programmable Reference Counter
- Programmable Divider Consisting of a Binary 7–Bit Swallow Counter and an 11–Bit Programmable Counter
- Phase/Frequency Detector With Phase Conversion Function
- Balanced Charge Pump Outputs
- Dual Internal Charge Pumps for Bypassing the First Stage of the Loop Filter to Decrease Lock Time
- Outputs for External Charge Pump
- Operating Temperature Range of –40 to 85°C
- Space Efficient Plastic Surface Mount SOIC or TSSOP Packages

MOSAIC V, Mfax and *InterActiveApNote* are trademarks of Motorola, Inc.

## MAXIMUM RATINGS (Note 1)

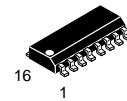
Parameter	Symbol	Value	Unit
Power Supply Voltage, Pin 4 (Pin 5 in 20–lead package)	V <sub>CC</sub>	–0.5 to 6.0	Vdc
Power Supply Voltage, Pin 3 (Pin 4 in 20–lead package)	V <sub>p</sub>	V <sub>CC</sub> to 6.0	Vdc
Storage Temperature Range	T <sub>stg</sub>	–65 to 150	°C

- NOTES:**
1. Maximum Ratings are those values beyond which damage to the device may occur. Functional operation should be restricted to the Recommended Operating Conditions.
  2. ESD data available upon request.

# MC12210

## MECL PLL COMPONENTS SERIAL PLL FREQUENCY SYNTIESIZER

### SEMICONDUCTOR TECHNICAL DATA



**D SUFFIX**  
PLASTIC PACKAGE  
CASE 751B  
(SO–16)

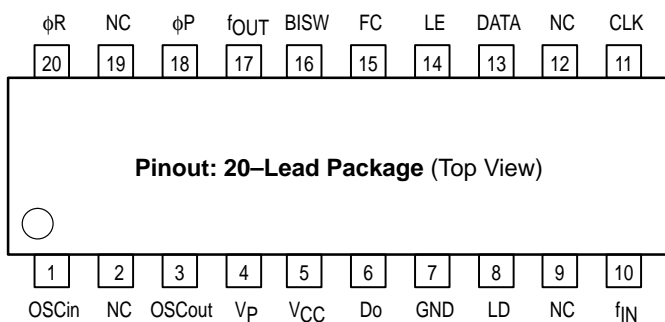
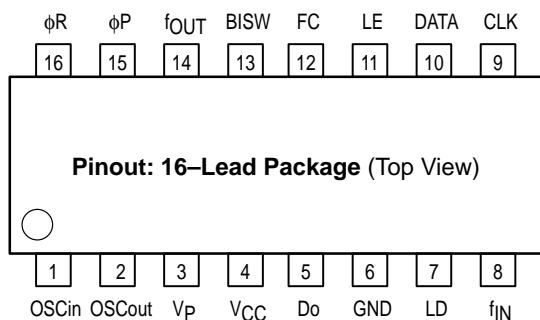


**DT SUFFIX**  
PLASTIC PACKAGE  
CASE 948E  
(TSSOP–20)

## ORDERING INFORMATION

Device	Operating Temperature Range	Package
MC12210D	T <sub>A</sub> = – 40° to +85°C	SO–16
MC12210DT		TSSOP–20

# MC12210

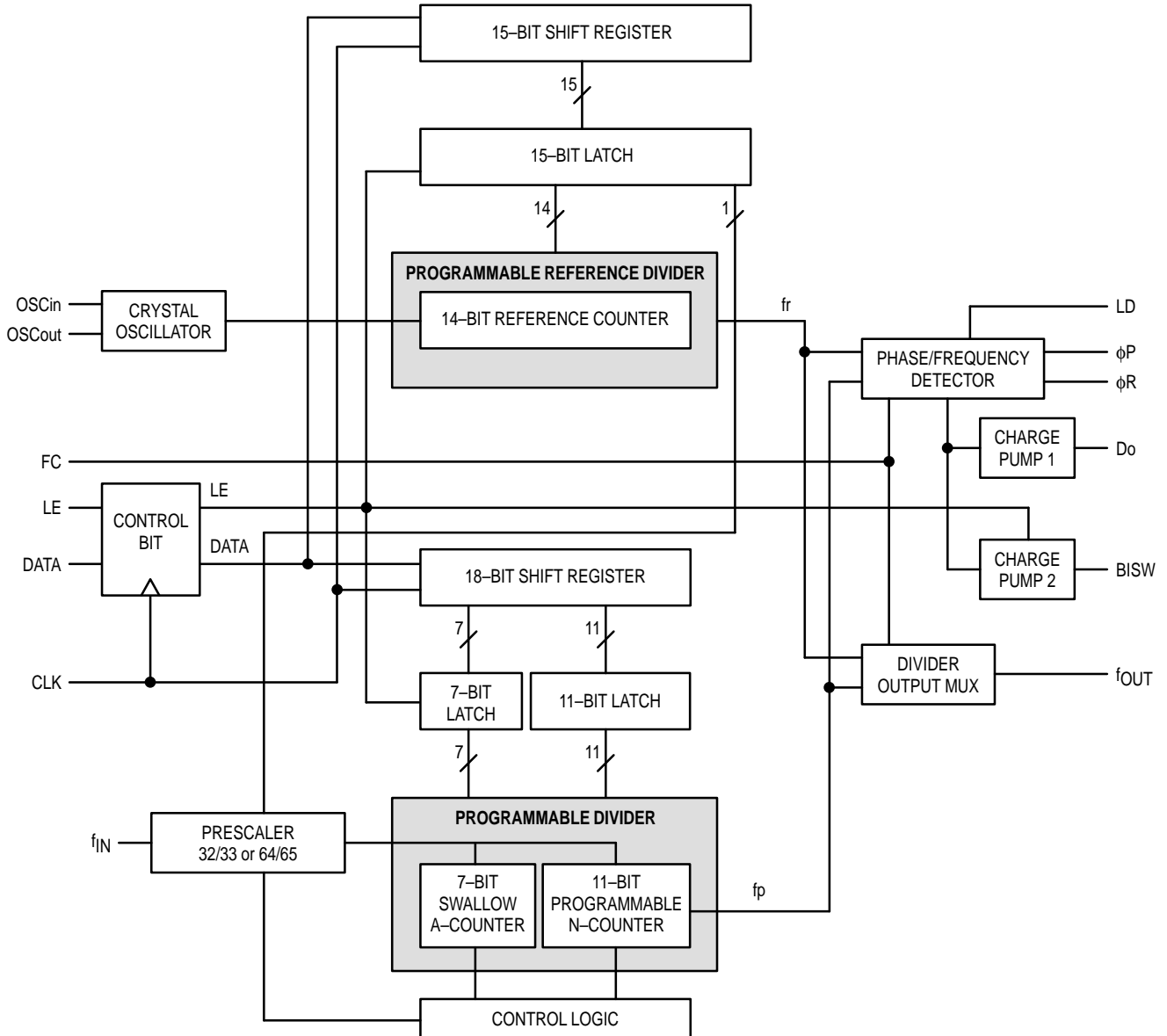


## PIN NAMES

Pin	I/O	Function	16-Lead Pkg Pin No.	20-Lead Pkg Pin No.
OSCin	I	Oscillator input. A crystal may be connected between OSCin and OSCout. It is highly recommended that an external source be ac coupled into this pin (see text).	1	1
OSCout	O	Oscillator output. Pin should be left open if external source is used	2	3
Vp	—	Power supply for charge pumps (Vp should be greater than or equal to VCC) Vp provides power to the Do, BISW and phiP outputs	3	4
VCC	—	Power supply voltage input. Bypass capacitors should be placed as close as possible to this pin and be connected directly to the ground plane.	4	5
Do	O	Internal charge pump output. Do remains on at all times	5	6
GND	—	Ground	6	7
LD	O	Lock detect, phase comparator output	7	8
fIN	I	Prescaler input. The VCO signal is AC-coupled into this pin	8	10
CLK	I	Clock input. Rising edge of the clock shifts data into the shift registers	9	11
DATA	I	Binary serial data input	10	13
LE	I	Load enable input (with internal pull up resistor). When LE is HIGH or OPEN, data stored in the shift register is transferred into the appropriate latch (depending on the level of control bit). Also, when LE is HIGH or OPEN, the output of the second internal charge pump is connected to the BISW pin	11	14
FC	I	Phase control select (with internal pull up resistor). When FC is LOW, the characteristics of the phase comparator and charge pump are reversed. FC also selects fp or fr on the fOUT pin	12	15
BISW	O	Analog switch output. When LE is HIGH or OPEN ("analog switch is ON") the output of the second charge pump is connected to the BISW pin. When LE is LOW, BISW is high impedance	13	16
fOUT	O	Phase comparator input signal. When FC is HIGH, fOUT=fr, programmable reference divider output; when FC is LOW, fOUT=fp, programmable divider output	14	17
phiP	O	Output for external charge pump. Standard CMOS output level	15	18
phiR	O	Output for external charge pump. Standard CMOS output level	16	20
NC	—	No connect	—	2, 9, 12, 19

# MC12210

Figure 1. MC12210 Block Diagram



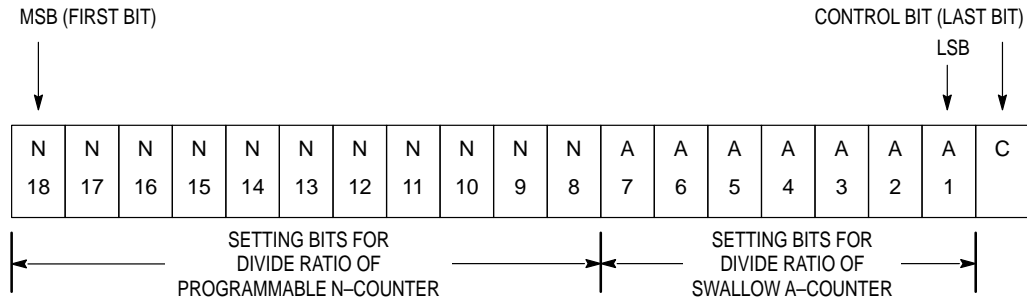


# MC12210

## PROGRAMMABLE DIVIDER

19-bit serial data format for the programmable divider is shown below. If the control bit is LOW, data is transferred from the 18-bit shift register into the 18-bit latch which specifies the swallow A-counter divide ratio (0 to 127) and the programmable N-counter divide ratio (16 to 2047). An N-counter divide ratio less than 16 is prohibited.

For Control bit (C) = LOW:



### DIVIDE RATIO OF PROGRAMMABLE N-COUNTER

### DIVIDE RATIO OF SWALLOW A-COUNTER

Divide Ratio N	N 18	N 17	N 16	N 15	N 14	N 13	N 12	N 11	N 10	N 9	N 8	Divide Ratio A	A 7	A 6	A 5	A 4	A 3	A 2	A 1
16	0	0	0	0	0	0	1	0	0	0	0	0	0	0	0	0	0	0	0
17	0	0	0	0	0	0	1	0	0	0	1	1	0	0	0	0	0	0	1
•	•	•	•	•	•	•	•	•	•	•	•	•	•	•	•	•	•	•	•
2047	1	1	1	1	1	1	1	1	1	1	1	127	1	1	1	1	1	1	1

## DIVIDE RATIO SETTING

$$f_{vco} = [(P \cdot N) + A] \cdot f_{osc} \div R \text{ with } A < N$$

$f_{vco}$ : Output frequency of external voltage controlled oscillator (VCO)

N: Preset divide ratio of binary 11-bit programmable counter (16 to 2047)

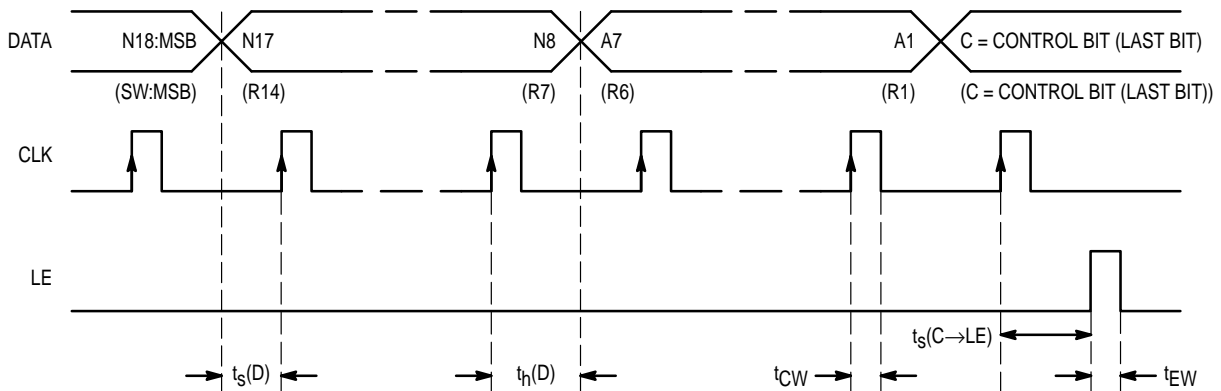
A: Preset divide ratio of binary 7-bit swallow counter (0 to 127,  $A < N$ )

$f_{osc}$ : Output frequency of the external frequency oscillator

R: Preset divide ratio of binary 14-bit programmable reference counter (8 to 16383)

P: Preset mode of dual modulus prescaler (32 or 64)

Figure 2. Serial Data Input Timing



NOTES: Programmable reference divider data shown in parenthesis. Data shifted into register on rising edge of CLK.

$t_s(D)$ = Setup Time DATA to CLK	$t_s(D) \geq 10$ ns
$t_h(D)$ = Hold Time DATA to CLK	$t_h(D) \geq 20$ ns
$t_{CW}$ = CLK Pulse Width	$t_{CW} \geq 30$ ns
$t_{EW}$ = LE Pulse Width	$t_{EW} \geq 20$ ns
$t_s(C \rightarrow LE)$ = Setup Time CLK to LE	$t_s(C \rightarrow LE) \geq 30$ ns

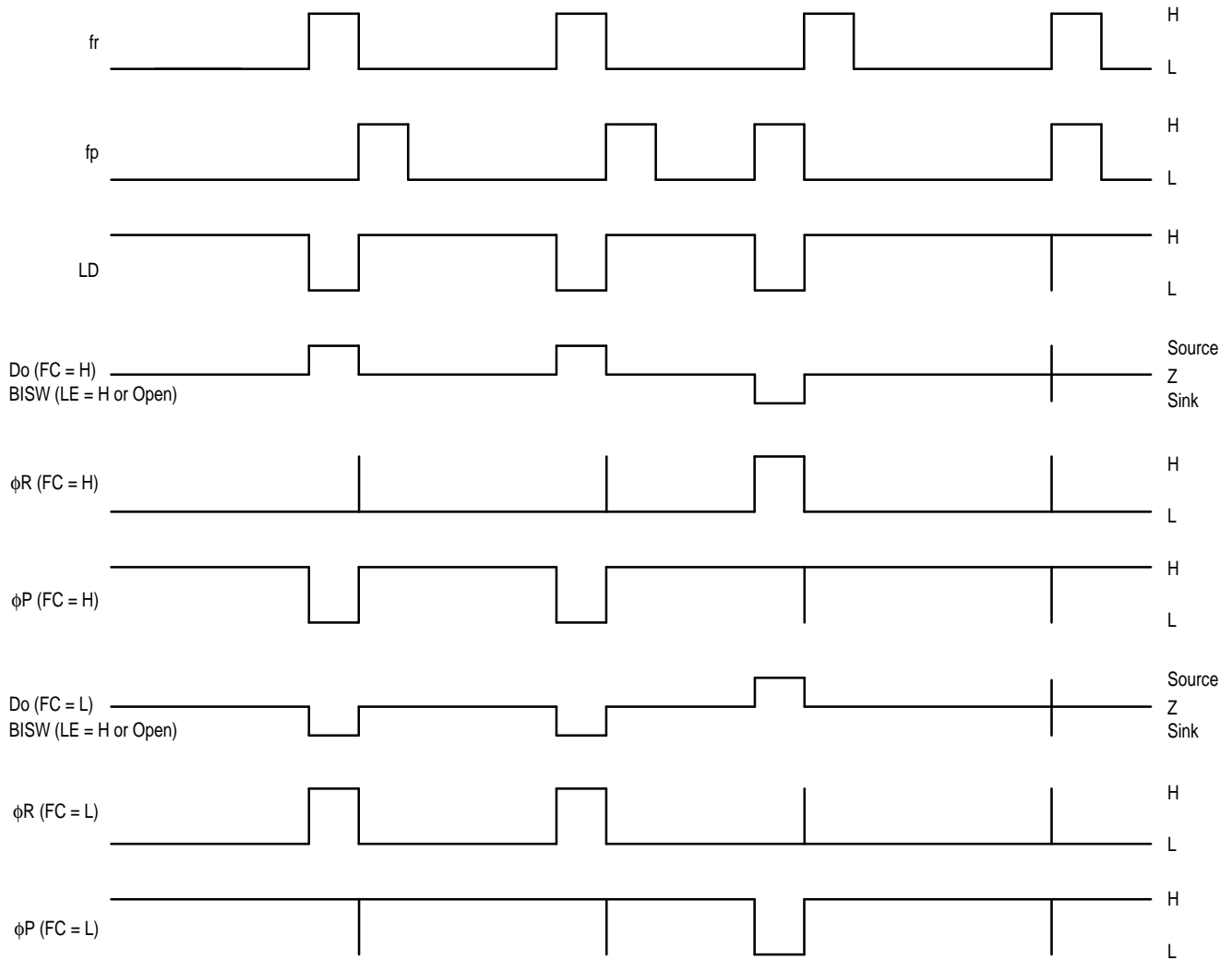
# MC12210

## PHASE CHARACTERISTICS/VCO CHARACTERISTICS

The phase comparator in the MC12210 is a high speed digital phase frequency detector circuit. The circuit determines the “lead” or “lag” phase relationship and time difference between the leading edges of the VCO (fp) signal and the reference (fr) input. Since these edges occur only once per cycle, the detector has a range of  $\pm 2\pi$  radians. The phase comparator outputs are standard CMOS rail-to-rail levels (VP to GND for  $\phi P$  and VCC to GND for  $\phi R$ ), designed for up to 20MHz operation into a 15pF load. These phase comparator outputs can be used along with an external charge pump to enhance the PLL characteristics.

The operation of the phase comparator is shown in Figures 3 and 5. The phase characteristics of the phase comparator are controlled by the FC pin. The polarity of the phase comparator outputs,  $\phi R$  and  $\phi P$ , as well as the charge pump output Do can be reversed by switching the FC pin.

**Figure 3. Phase/Frequency Detector, Internal Charge Pump and Lock Detect Waveforms**



NOTES: Do and BISW are current outputs.  
 Phase difference detection range:  $-2\pi$  to  $+2\pi$   
 Spike difference depends on charge pump characteristics. Also, the spike is output in order to diminish dead band.  
 When  $fr > fp$  or  $fr < fp$ , spike might not appear depending upon charge pump characteristics.

$$\text{Internal Charge Pump Gain} \approx \left| \frac{I_{\text{source}} + I_{\text{sink}}}{4\pi} \right| = \frac{4\text{mA}}{4\pi}$$

**For FC = HIGH:**

**fr lags fp in phase OR fp > fr in frequency**

When the phase of fr lags that of fp or the frequency of fp is greater than fr, the φP output will remain in a HIGH state while the φR output will pulse from LOW to HIGH. The output pulse will reach a minimum 50% duty cycle under a 180° out of phase condition. The signal on φR indicates to the VCO to decrease in frequency to bring the loop into lock.

**fr leads fp in phase OR fp < fr in frequency**

When the phase of fr leads that of fp or the frequency of fp is less than fr, the φR output will remain in a LOW state while the φP output pulses from HIGH to LOW. The output pulse will reach a minimum 50% duty cycle under a 180° out of phase condition. The signal on φP indicates to the VCO to increase in frequency to bring the loop to lock.

**fr = fp in phase and frequency**

When the phase and frequency of fr and fp are equal, the output φP will remain in a HIGH state and φR will remain in a LOW state except for voltage spikes when signals are in phase. This situation indicates that the loop is in lock and the phase comparator will maintain the loop in its locked state.

When FC = LOW, the operation of the phase comparator is reversed from the above explanation.

**For FC = LOW:**

**fr lags fp in phase OR fp > fr in frequency**

When the phase of fr lags that of fp or the frequency of fp is greater than fr, the φR output will remain in a LOW state while the φP output will pulse from HIGH to LOW. The output pulse will reach a minimum 50% duty cycle under a 180° out of phase condition. The signal on φP indicates to the VCO to increase in frequency to bring the loop into lock.

**fr leads fp in phase OR fp < fr in frequency**

When the phase of fr leads that of fp or the frequency of fp is less than fr, the φP output will remain in a HIGH state while the φR output pulses from LOW to HIGH. The output pulse will reach a minimum 50% duty cycle under a 180° out of phase condition. The signal on φR indicates to the VCO to decrease in frequency to bring the loop to lock.

**fr = fp in phase and frequency**

When the phase and frequency of fr and fp are equal, the output φP will remain in a HIGH state and φR will remain in a LOW state except for voltage spikes when signals are in phase. This situation indicates that the loop is in lock and the phase comparator will maintain the loop in its locked state.

The FC pin controls not only the phase characteristics, but also controls the f<sub>OUT</sub> test pin. The FC pin permits the user to monitor either of the phase comparator input signals, fr or fp, at the f<sub>OUT</sub> output providing a test mode where the programming of the dividers and the output of the counters can be checked. When FC is HIGH, f<sub>OUT</sub> = fr, the programmable reference divider output. When FC is LOW, f<sub>OUT</sub> = fp, the programmable divider output.

Hence,

If VCO characteristics are like (1), FC should be set HIGH or OPEN. f<sub>OUT</sub> = fr

If VCO characteristics are like (2), FC should be set LOW. f<sub>OUT</sub> = fp

Figure 4. VCO Characteristics

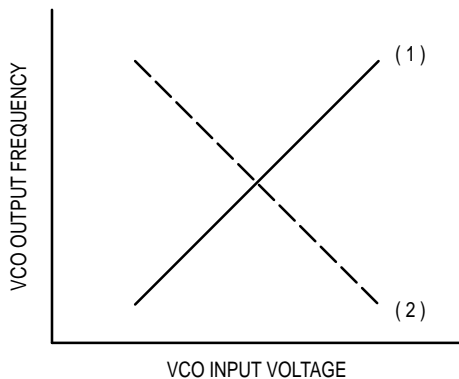


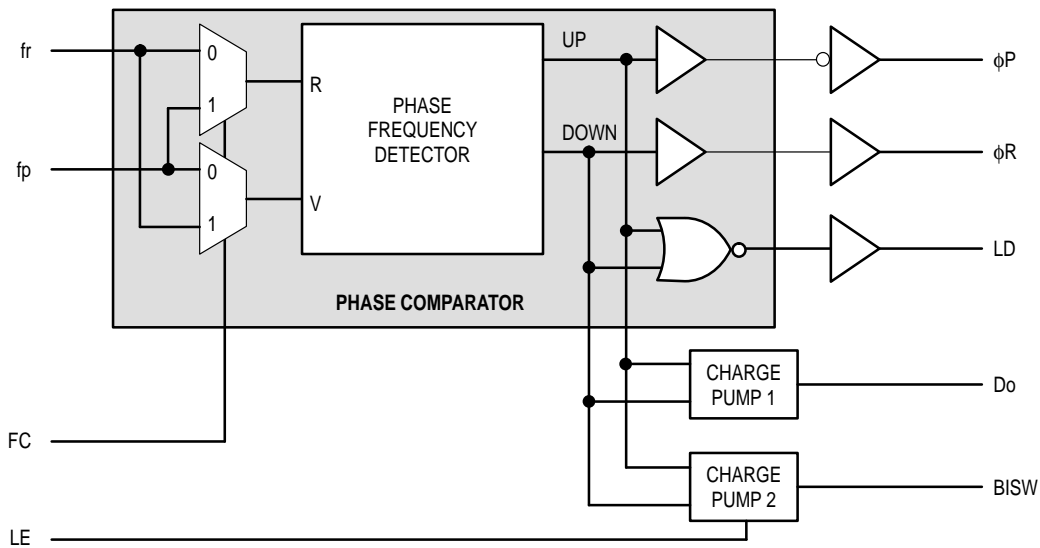
Figure 5. Phase Comparator, Internal Charge Pump, and f<sub>OUT</sub> Characteristics

	FC = HIGH or OPEN				FC = LOW			
	Do	φR	φP	f <sub>OUT</sub>	Do	φR	φP	f <sub>OUT</sub>
fp < fr	H	L	L	fr	L	H	H	fp
fp > fr	L	H	H	fr	H	L	L	fp
fp = fr	Z	L	H	fr	Z	L	H	fp

NOTES: Z = High impedance  
When LE is HIGH or Open, BISW has the same characteristics as Do.

# MC12210

Figure 6. Detailed Phase Comparator Block Diagram



## LOCK DETECT

The Lock Detect (LD) output pin provides a LOW pulse when  $f_r$  and  $f_p$  are not equal in phase or frequency. The output is normally HIGH. LD is designed to be the logical NORing of the phase frequency detector's outputs UP and DOWN. See Figure 6. In typical applications the output signal drives external circuitry which provides a steady LOW signal when the loop is locked. See Figure 9.

## OSCILLATOR INPUT

For best operation, an external reference oscillator is recommended. The signal should be AC-coupled to the OSCin pin through a coupling capacitor. In this case, no connection to OSCout is required. The magnitude of the AC-coupled signal must be between 500 and 2200 mV peak-to-peak. To optimize the phase noise of the PLL when used in this mode, the input signal amplitude should be closer to the upper specification limit. This maximizes the slew rate of the signal as it switches against the internal voltage reference.

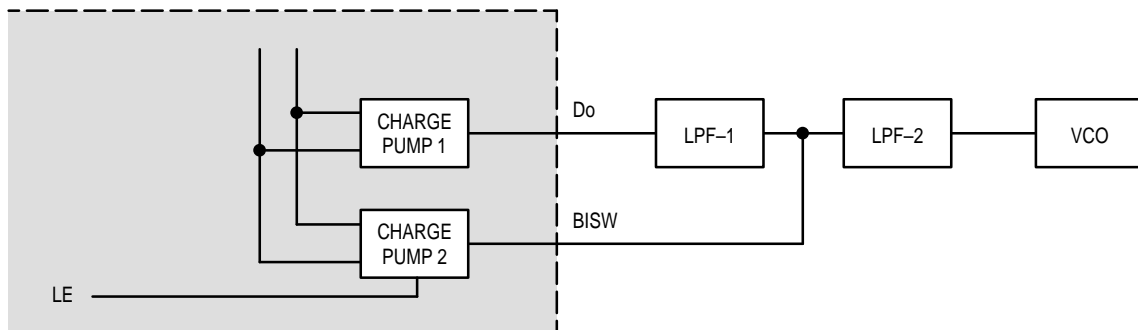
The device incorporates an on-chip reference oscillator/buffer so that an external parallel-resonant fundamental crystal can be connected between OSCin and OSCout. External capacitor C1 and C2 as shown in Figure 10 are required to set the proper crystal load capacitance and oscillator frequency. The values of the capacitors are dependent on the crystal chosen (up to a maximum of 30 pF each including parasitic and stray capacitance). However, using the on-chip reference oscillator greatly increases the synthesized phase noise.

## DUAL INTERNAL CHARGE PUMPS ("ANALOG SWITCH")

Due to the pure Bipolar nature of the MC12210 design, the "analog switch" function is implemented with dual internal charge pumps. The loop filter time constant can be decreased by bypassing the first stage of the loop filter with the charge pump output BISW as shown in Figure 7 below. This enables the VCO to lock in a shorter amount of time.

When LE is HIGH or OPEN ("analog switch is ON"), the output of the second internal charge pump is connected to the BISW pin, and the Do output is ON. The charge pump 2 output on BISW is essentially equal to the charge pump 1 output on Do. When LE is LOW, BISW is in a high impedance state and Do output is active.

Figure 7. "Analog Switch" Block Diagram





# MC12210

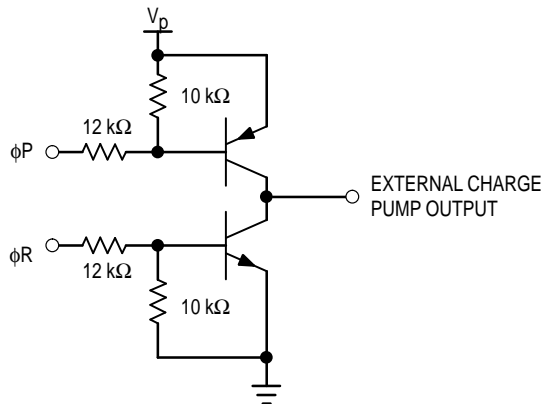
**ELECTRICAL CHARACTERISTICS** ( $V_{CC} = 2.7$  to  $5.5$  V;  $T_A = -40$  to  $+85^\circ\text{C}$ , unless otherwise noted.)

Parameter	Symbol	Min	Typ	Max	Unit	Condition	
Supply Current for $V_{CC}$	$I_{CC}$	–	8.8	13.0	mA	Note 1	
		–	10.2	16.0		Note 2	
Supply Current for $V_P$	$I_P$	–	0.7	1.1	mA	Note 3	
		–	0.8	1.3		Note 4	
Operating Frequency	$f_{INmax}$ $f_{INmin}$	2500	–	–	MHz	Note 5	
		–	–	500			
Operating Frequency (OSCin)	$F_{OSC}$	–	12	20	MHz	Crystal Mode	
		–	–	40	MHz	External Reference Mode	
Input Sensitivity	$f_{IN}$ OSCin	$V_{IN}$	200	–	1000	mVpp	
		$V_{OSC}$	500	–	2200	mVpp	
Input HIGH Voltage	CLK, DATA, LE, FC	$V_{IH}$	$0.7 V_{CC}$	–	–	V	
Input LOW Voltage	CLK, DATA, LE, FC	$V_{IL}$	–	–	$0.3 V_{CC}$	V	$V_{CC} = 5.5$ V
Input HIGH Current (DATA and CLK)		$I_{IH}$	–	1.0	2.0	$\mu\text{A}$	$V_{CC} = 5.5$ V
Input LOW Current (DATA and CLK)		$I_{IL}$	–10	–5.0	–	$\mu\text{A}$	$V_{CC} = 5.5$ V
Input Current (OSCin)		$I_{OSC}$	–	130	–	$\mu\text{A}$	OSCin = $V_{CC}$
			–	–310	–		OSCin = $V_{CC} - 2.2$ V
Input HIGH Current (LE and FC)		$I_{IH}$	–	1.0	2.0	$\mu\text{A}$	
Input LOW Current (LE and FC)		$I_{IL}$	–75	–60	–	$\mu\text{A}$	
Charge Pump Output Current Do and BISW	$I_{Source}^6$ $I_{Sink}^6$ $I_{Hi-Z}$	$I_{Source}^6$	–2.6	–2.0	–1.4	mA	$V_{DO} = V_P/2$ ; $V_P = 2.7$ V $V_{BISW} = V_P/2$ ; $V_P = 2.7$ V
		$I_{Sink}^6$	+1.4	+2.0	+2.6		
		$I_{Hi-Z}$	–15	–	+15	nA	$0.5 < V_{DO} < V_P - 0.5$ $0.5 < V_{BISW} < V_P - 0.5$
Output HIGH Voltage (LD, $\phi_R$ , $\phi_P$ , $f_{OUT}$ )	$V_{OH}$	4.4	–	–	V	$V_{CC} = 5.0$ V	
		2.4	–	–	V	$V_{CC} = 3.0$ V	
Output LOW Voltage (LD, $\phi_R$ , $\phi_P$ , $f_{OUT}$ )	$V_{OL}$	–	–	0.4	V	$V_{CC} = 5.0$ V	
		–	–	0.4	V	$V_{CC} = 3.0$ V	
Output HIGH Current (LD, $\phi_R$ , $\phi_P$ , $f_{OUT}$ )		$I_{OH}$	–1.0	–	–	mA	
Output LOW Current (LD, $\phi_R$ , $\phi_P$ , $f_{OUT}$ )		$I_{OL}$	1.0	–	–	mA	

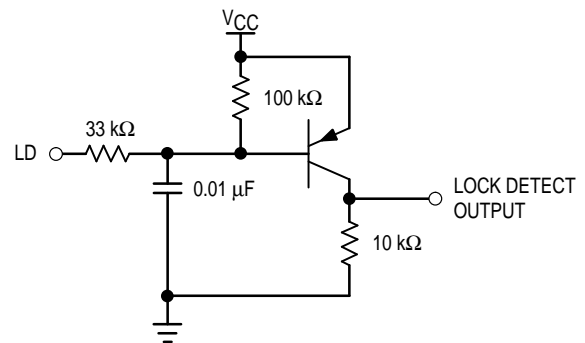
- $V_{CC} = 3.3$  V, all outputs open.
- $V_{CC} = 5.5$  V, all outputs open.
- $V_P = 3.3$  V, all outputs open.

- $V_P = 6.0$  V, all outputs open.
- AC coupling,  $F_{IN}$  measured with a 1000 pF capacitor.
- Source current flows out of the pin and sink current flows into the pin.

**Figure 8. Typical External Charge Pump Circuit**

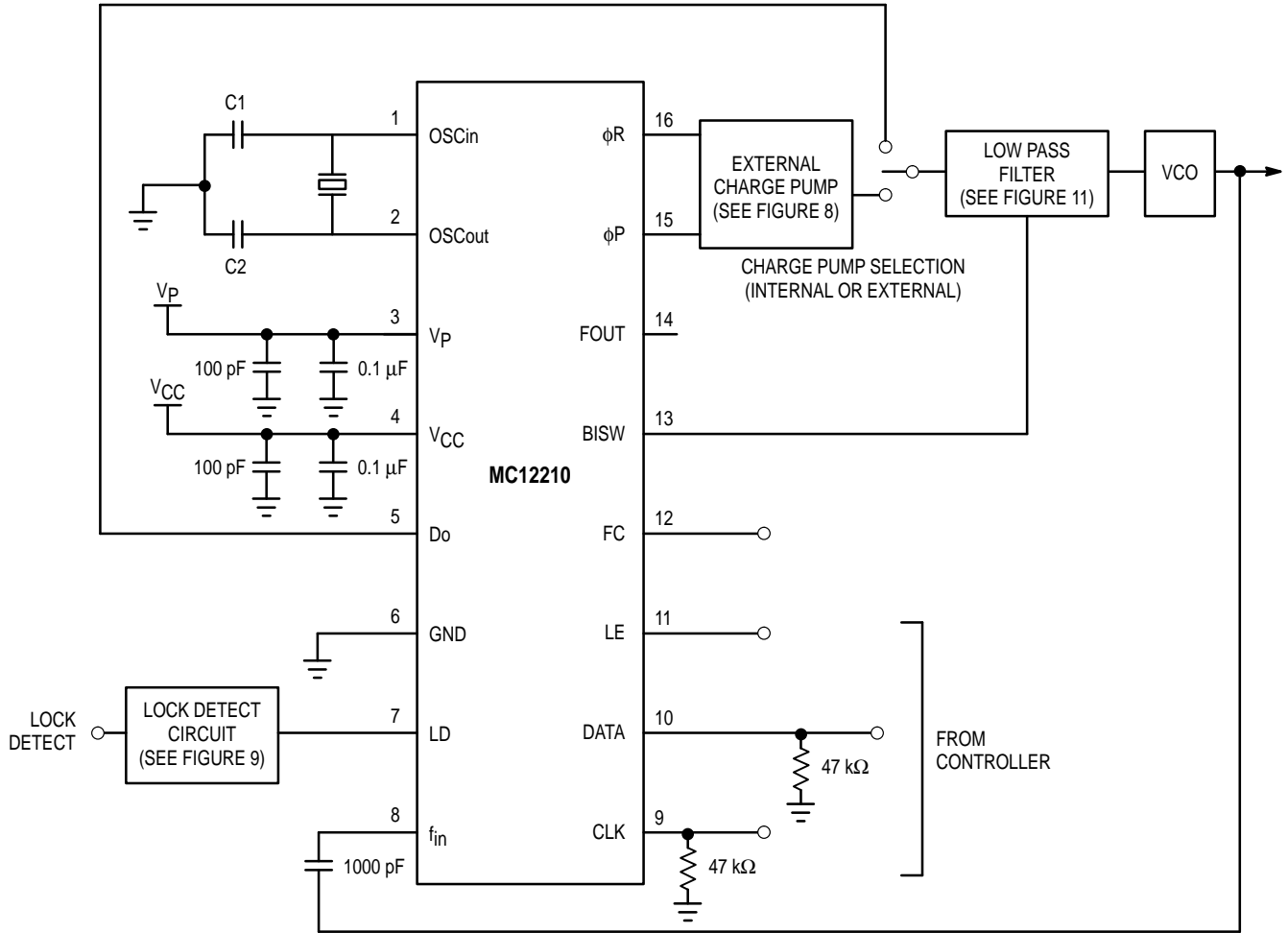


**Figure 9. Typical Lock Detect Circuit**



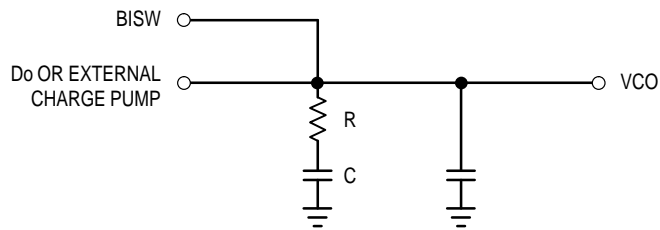
# MC12210

Figure 10. Typical Applications Example (16-Pin Package)



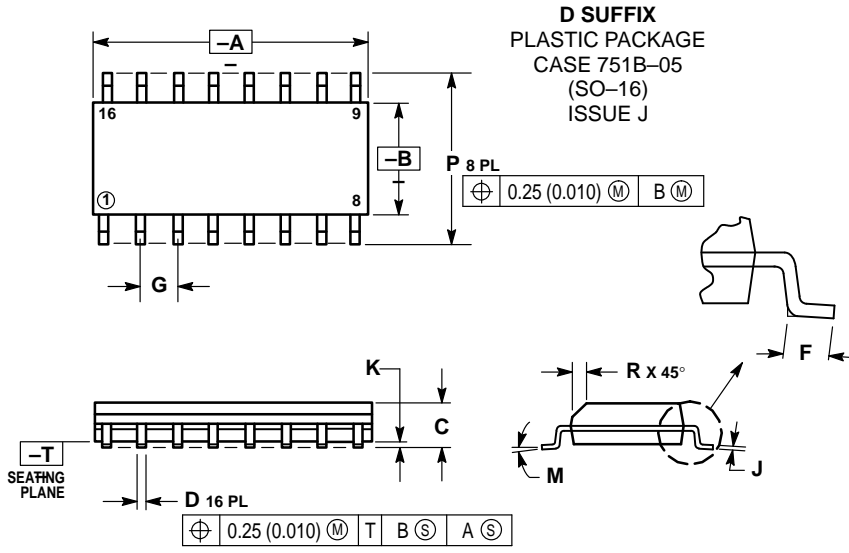
C1, C2: Dependent on Crystal Oscillator

Figure 11. Typical Loop Filter



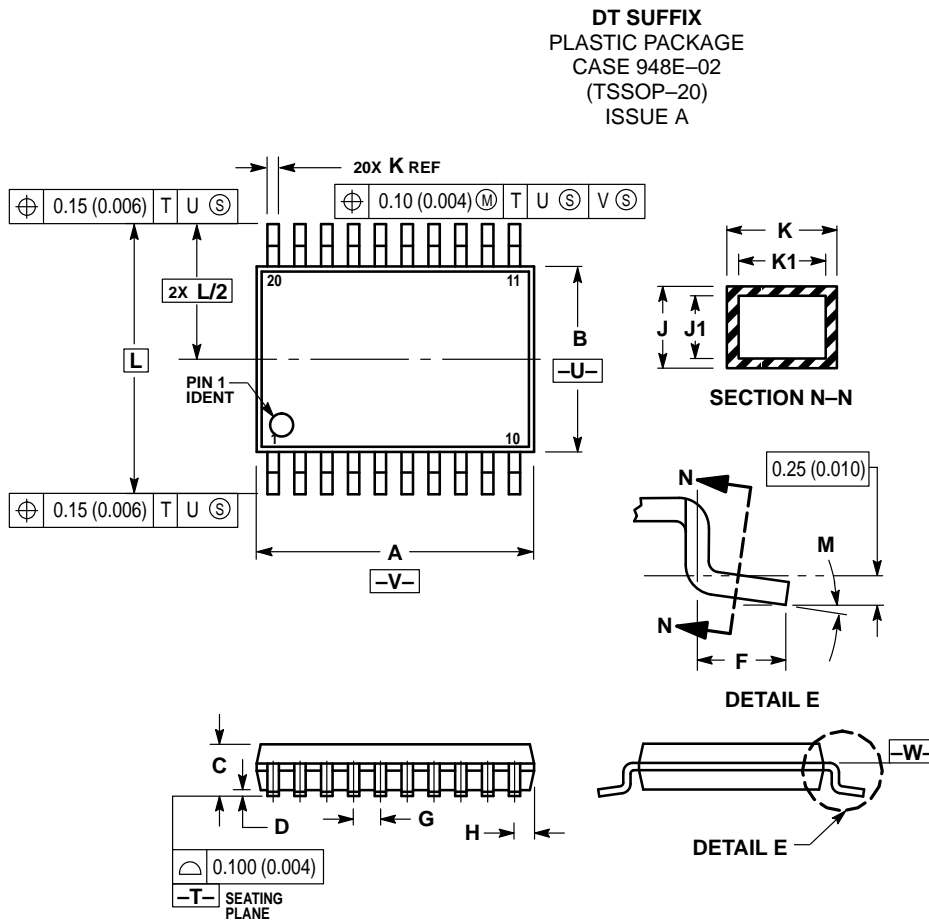
# MC12210

## OUTLINE DIMENSIONS



- NOTES:
1. DIMENSIONING AND TOLERANCING PER ANSI Y14.5M, 1982.
  2. CONTROLLING DIMENSION: MILLIMETER.
  3. DIMENSIONS A AND B DO NOT INCLUDE MOLD PROTRUSION.
  4. MAXIMUM MOLD PROTRUSION 0.15 (0.006) PER SIDE.
  5. DIMENSION D DOES NOT INCLUDE DAMBAR PROTRUSION. ALLOWABLE DAMBAR PROTRUSION SHALL BE 0.127 (0.005) TOTAL IN EXCESS OF THE D DIMENSION AT MAXIMUM MATERIAL CONDITION.


DIM	MILLIMETERS		INCHES	
	MIN	MAX	MIN	MAX
A	9.80	10.00	0.386	0.393
B	3.80	4.00	0.150	0.157
C	1.35	1.75	0.054	0.068
D	0.35	0.49	0.014	0.019
F	0.40	1.25	0.016	0.049
G	1.27 BSC		0.050 BSC	
J	0.19	0.25	0.008	0.009
K	0.10	0.25	0.004	0.009
M	0°	7°	0°	7°
P	5.80	6.20	0.229	0.244
R	0.25	0.50	0.010	0.019



- NOTES:
1. DIMENSIONING AND TOLERANCING PER ANSI Y14.5M, 1982.
  2. CONTROLLING DIMENSION: MILLIMETER.
  3. DIMENSION A DOES NOT INCLUDE MOLD FLASH, PROTRUSIONS OR GATE BURRS. MOLD FLASH OR GATE BURRS SHALL NOT EXCEED 0.15 (0.006) PER SIDE.
  4. DIMENSION B DOES NOT INCLUDE INTERLEAD FLASH OR PROTRUSION. INTERLEAD FLASH OR PROTRUSION SHALL NOT EXCEED 0.25 (0.010) PER SIDE.
  5. DIMENSION K DOES NOT INCLUDE DAMBAR PROTRUSION. ALLOWABLE DAMBAR PROTRUSION SHALL BE 0.08 (0.003) TOTAL IN EXCESS OF THE K DIMENSION AT MAXIMUM MATERIAL CONDITION.
  6. TERMINAL NUMBERS ARE SHOWN FOR REFERENCE ONLY.
  7. DIMENSION A AND B ARE TO BE DETERMINED AT DATUM PLANE -W-.

DIM	MILLIMETERS		INCHES	
	MIN	MAX	MIN	MAX
A	6.40	6.60	0.252	0.260
B	4.30	4.50	0.169	0.177
C	—	1.20	—	0.047
D	0.05	0.15	0.002	0.006
F	0.50	0.75	0.020	0.030
G	0.65 BSC		0.026 BSC	
H	0.27	0.37	0.011	0.015
J	0.09	0.20	0.004	0.008
J1	0.09	0.16	0.004	0.006
K	0.19	0.30	0.007	0.012
K1	0.19	0.25	0.007	0.010
L	6.40 BSC		0.252 BSC	
M	0°	8°	0°	8°

# MC12210

Motorola reserves the right to make changes without further notice to any products herein. Motorola makes no warranty, representation or guarantee regarding the suitability of its products for any particular purpose, nor does Motorola assume any liability arising out of the application or use of any product or circuit, and specifically disclaims any and all liability, including without limitation consequential or incidental damages. "Typical" parameters which may be provided in Motorola data sheets and/or specifications can and do vary in different applications and actual performance may vary over time. All operating parameters, including "Typicals" must be validated for each customer application by customer's technical experts. Motorola does not convey any license under its patent rights nor the rights of others. Motorola products are not designed, intended, or authorized for use as components in systems intended for surgical implant into the body, or other applications intended to support or sustain life, or for any other application in which the failure of the Motorola product could create a situation where personal injury or death may occur. Should Buyer purchase or use Motorola products for any such unintended or unauthorized application, Buyer shall indemnify and hold Motorola and its officers, employees, subsidiaries, affiliates, and distributors harmless against all claims, costs, damages, and expenses, and reasonable attorney fees arising out of, directly or indirectly, any claim of personal injury or death associated with such unintended or unauthorized use, even if such claim alleges that Motorola was negligent regarding the design or manufacture of the part. Motorola and  are registered trademarks of Motorola, Inc. Motorola, Inc. is an Equal Opportunity/Affirmative Action Employer.

Mfax is a trademark of Motorola, Inc.

#### How to reach us:

**USA/EUROPE/Locations Not Listed:** Motorola Literature Distribution;  
P.O. Box 5405, Denver, Colorado 80217. 1-303-675-2140 or 1-800-441-2447

**JAPAN:** Nippon Motorola Ltd.: SPD, Strategic Planning Office, 141,  
4-32-1 Nishi-Gotanda, Shagawa-ku, Tokyo, Japan. 03-5487-8488

#### Customer Focus Center: 1-800-521-6274

**Mfax™:** RMFAX0@email.sps.mot.com – TOUCHTONE 1-602-244-6609  
Motorola Fax Back System – US & Canada ONLY 1-800-774-1848  
– http://sps.motorola.com/mfax/

**ASIA/PACIFIC:** Motorola Semiconductors H.K. Ltd.; 8B Tai Ping Industrial Park,  
51 Ting Kok Road, Tai Po, N.T., Hong Kong. 852-26629298

**HOME PAGE:** <http://motorola.com/sps/>



**MOTOROLA**



MC12210/D