

- Compliant with IEEE 802.3u and ANSI X3.263 standards including 350uH OCL with 8mA bias
- Models designed to support four single or double stacked RJ-45 connector.
- 100 Base-TX surface mountable.
- Customer deigns available for specific application.
- Operating temperature range: 0 to +70 .
- Storage temperature range: -25 to +125 .



### Electrical Specifications @ 25

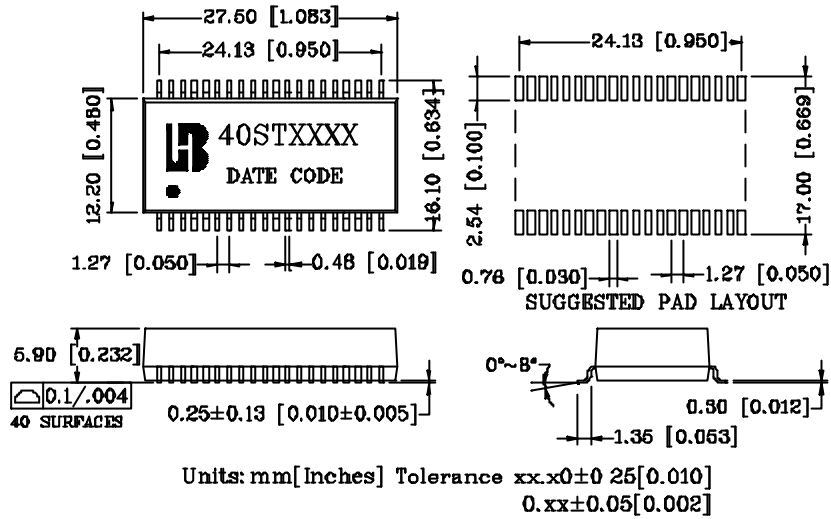
Part Number	Turns Ratio (±5%)		Rise Time (nS Typ)	OCL(uH Min) @100KHz/0.1V with 8.0mA DC	Insulation Resistance (M )	HI-POT (Vrms)
	TX	RX				
40ST1041	1CT:1CT	1:1	-	350	10000	1500
40ST1041AX	1CT:1CT	1CT:1CT	3.0	350	10000	1500
40ST1041AX-1	1CT:1CT	1CT:1CT	3.0	350	10000	1500
40ST1041E	1CT:1CT	1:1	2.5	350	10000	1500
40ST1041EX	1CT:1CT	1CT:1CT	2.5	350	10000	1500
40ST1041F	1CT:1CT	1:1	2.5	350	10000	1500
40ST1041J	1CT:1CT	1:1	2.5	350	10000	1500
40ST1041SX	1CT:1CT	1CT:1CT	-	350	10000	1500
40ST1053	1CT:1CT	1:1	2.5	350	10000	1500
40ST1060	1CT:1CT	1:1	-	350	10000	1500
40ST1060-1	1CT:1CT	1:1	-	350	10000	1500
40ST1062	1CT:1CT	1:1	-	350	10000	1500
40ST1064	1CT:1CT	1CT:1CT	2.5	350	10000	1500
40ST1129	1CT:1CT	1:1	-	350	10000	1500

### Continue

Part Number	Insertion Loss (dB Max)	Return Loss (dB Min)			Cross Talk (dB Min)		DCMR (dB Min)		
		0.3-100MHz	0.3-30MHz	30-60MHz	60-80MHz	0.3-60MHz	60-100MHz	60MHz	100MHz
40ST1041	-1.15	-16	-12	-10	-45	-35	-37	-28	-25
40ST1041AX	-1.15	-16	-12	-10	-45	-35	-37	-28	-25
40ST1041AX-1	-1.15	-16	-12	-10	-45	-35	-37	-28	-25
40ST1041E	-1.15	-16	-12	-10	-45	-35	-37	-28	-25
40ST1041EX	-1.15	-16	-12	-10	-45	-35	-37	-28	-25
40ST1041F	-1.15	-16	-12	-10	-45	-35	-37	-28	-25
40ST1041J	-1.15	-16	-12	-10	-45	-35	-35	-	-22
40ST1041SX	-1.15	-16	-12	-10	-45	-35	-37	-28	-25
40ST1053	-1.15	-16	-12	-10	-45	-35	-37	-28	-25
40ST1060	-1.15	-16	-12	-10	-45	-35	-37	-28	-25
40ST1060-1	-1.15	-16	-12	-10	-45	-35	-37	-28	-25
40ST1062	-1.15	-16	-12	-10	-45	-35	-37	-28	-25
40ST1064	-1.15	-16	-12	-10	-45	-35	-37	-28	-25
40ST1129	-1.15	-16	-12	-10	-45	-35	-37	-28	-25

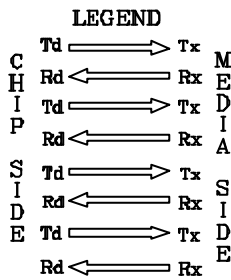
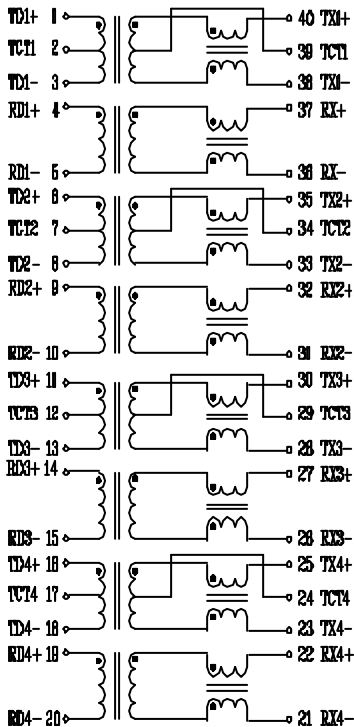
Mechanical

40STXXXX

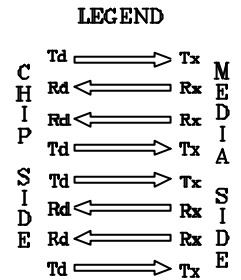
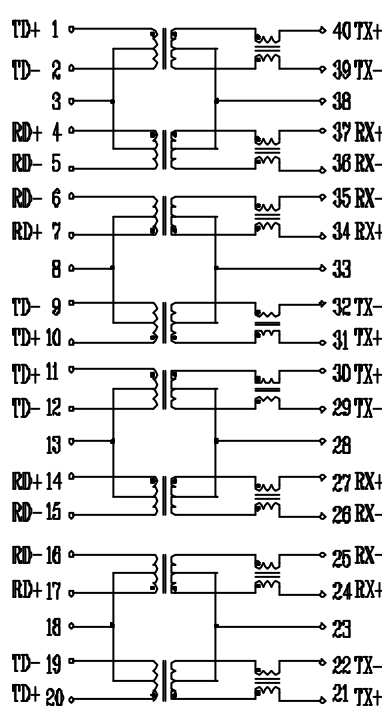


Schematics

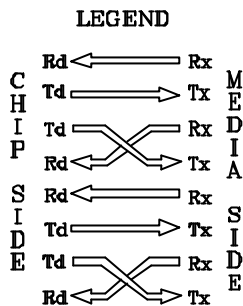
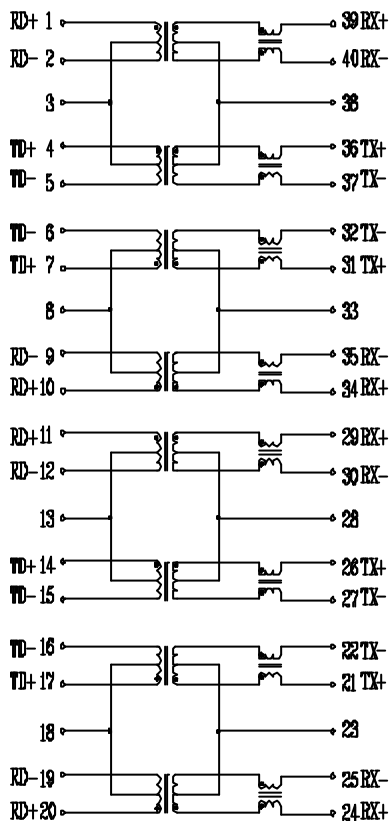
40ST1041



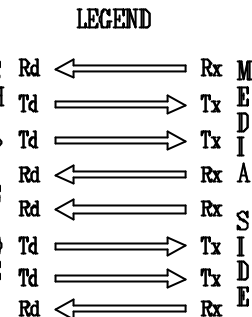
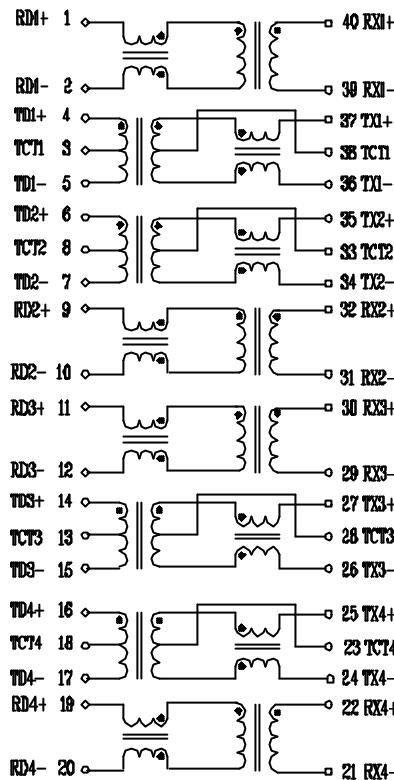
40ST1041AX



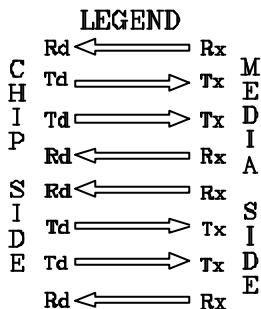
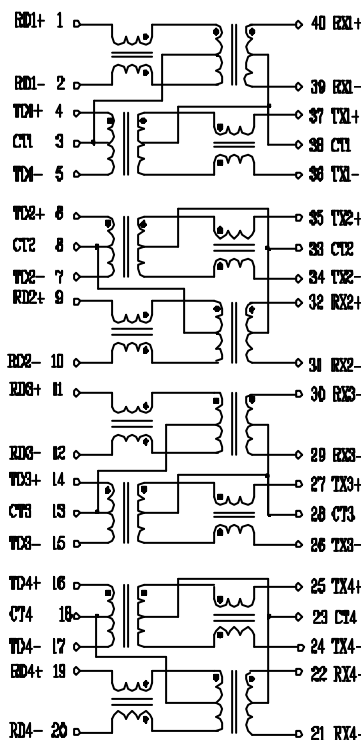
40ST1041AX-1



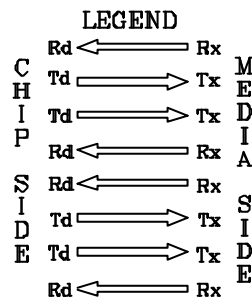
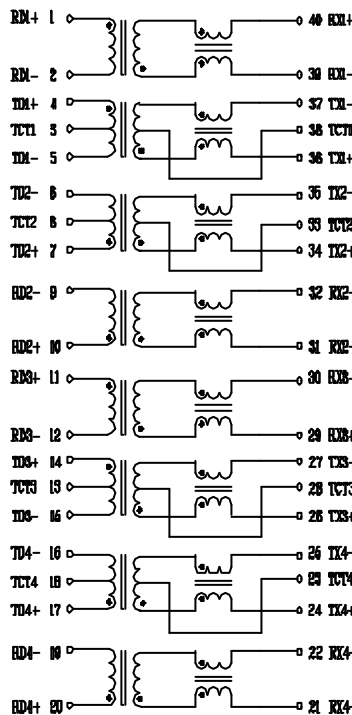
40ST1041E



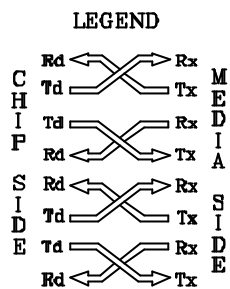
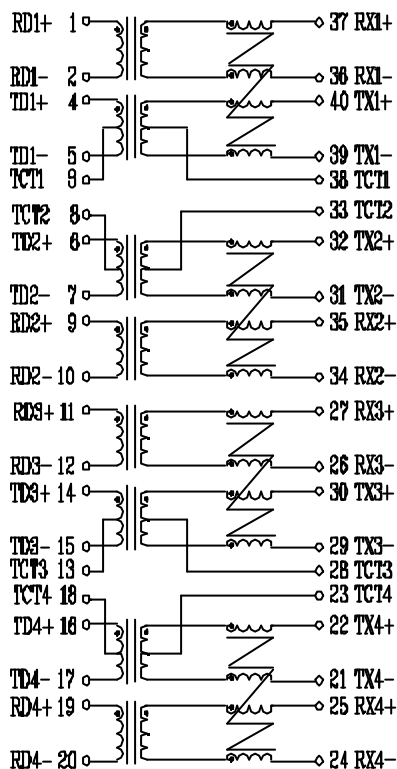
40ST1041EX



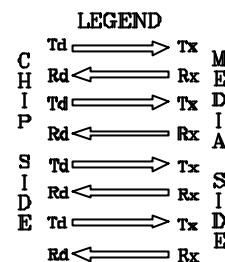
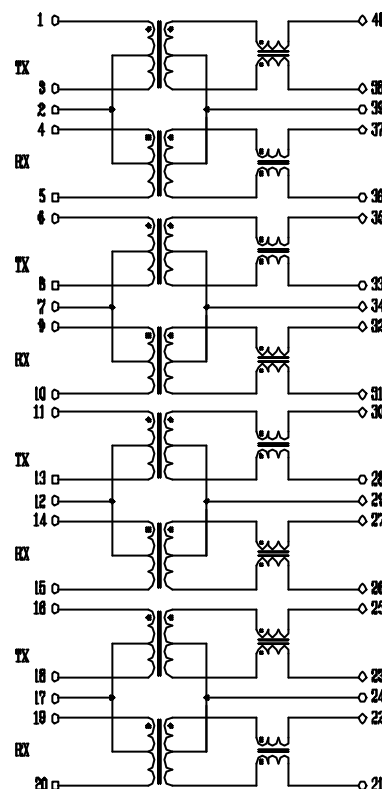
40ST1041F



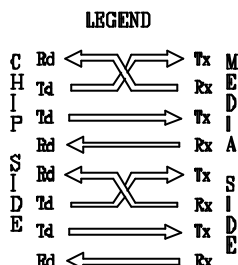
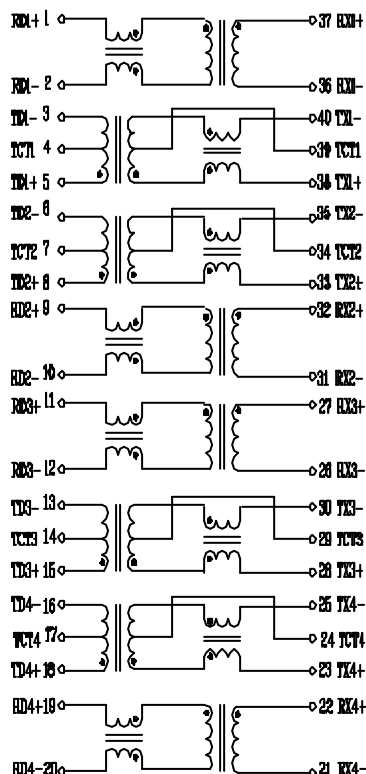
40ST1041J



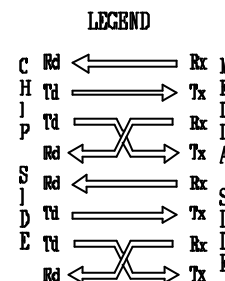
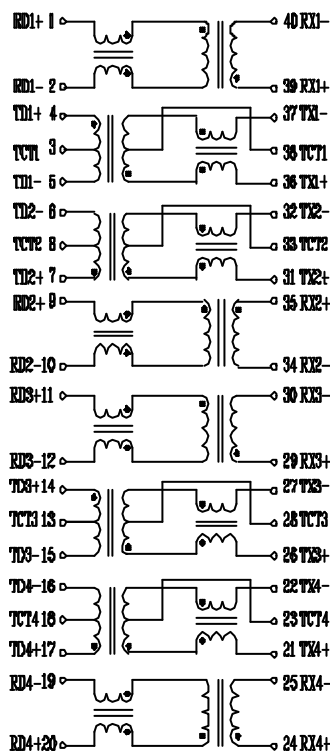
40ST1041SX



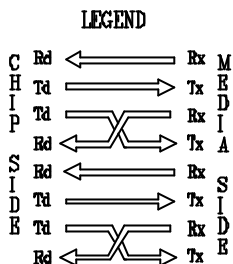
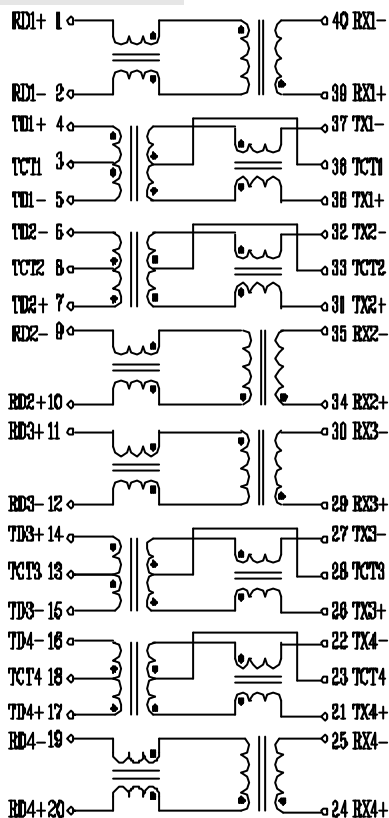
40ST1053



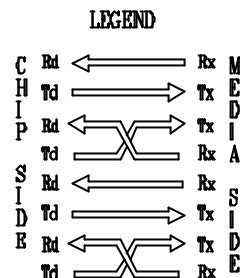
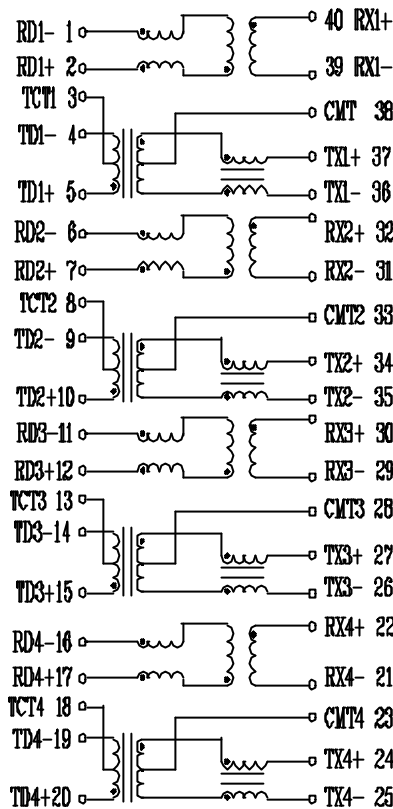
40ST1060



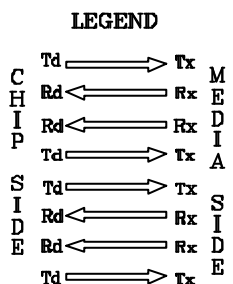
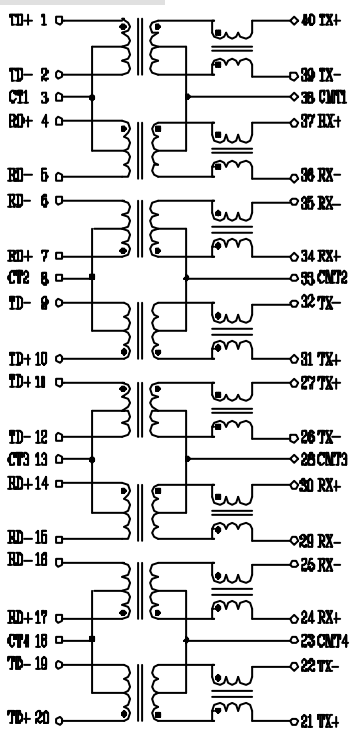
40ST1060-1



40ST1062



40ST1064



40ST1129

