

SP9680

ULTRA FAST COMPARATOR

The SP9680 is an ultra fast comparator manufactured using a high performance bipolar process which makes possible very short propagation delays (2.4ns typ.).

The circuit has differential inputs and complementary ECL outputs, capable of driving 50 Ω lines.

The device is manufactured in a low cost mini-dip package and is intended as an alternative to the faster SP9685 in applications where performance premium and the latch facility are not required.

FEATURES

- Propagation Delay 2.4ns Typ.
- Complementary ECL Outputs
- 50 Ω Line Driving Capability
- Excellent Common Mode Rejection
- 8-Lead Plastic Package
- Supply Voltages +5, -5.2V
- Operating Temperature Range -30°C to +70°C

ORDERING INFORMATION

SP9680DP (Industrial - Plastic DIL package)

SP9680MP (Industrial - Miniature Plastic package)

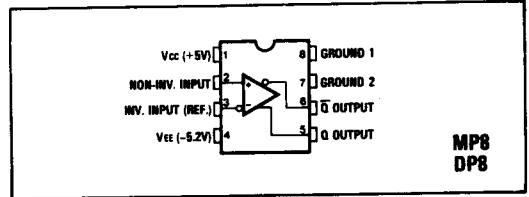


Fig. 1 Pin connections

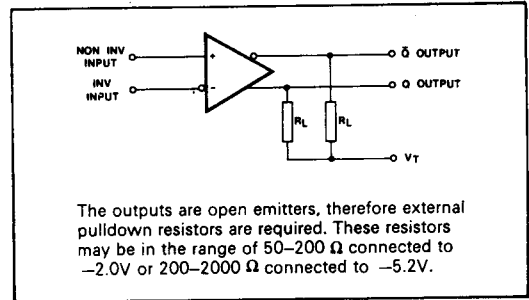


Fig. 2 Functional diagram

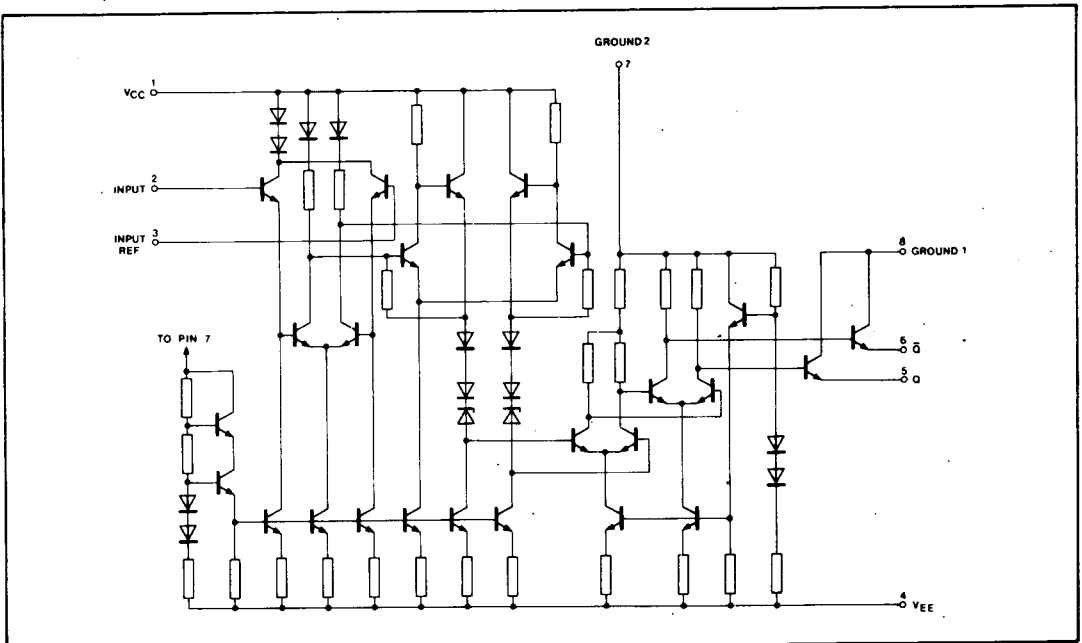


Fig. 3 SP9680 circuit diagram