

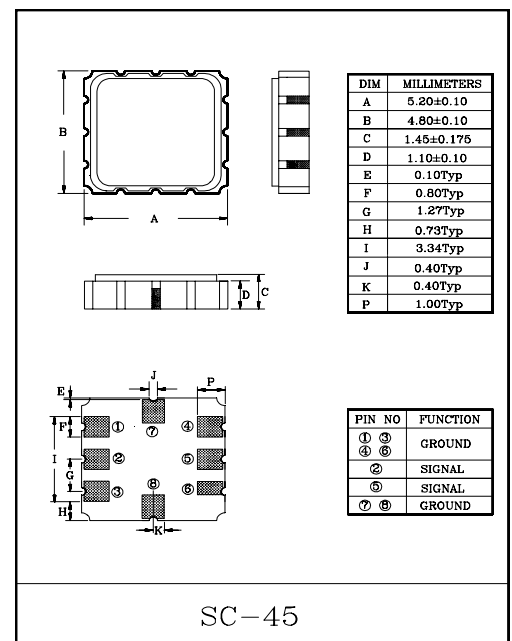
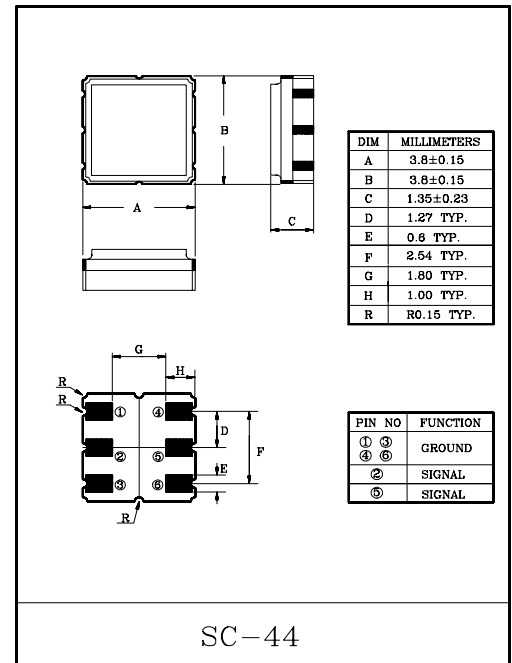
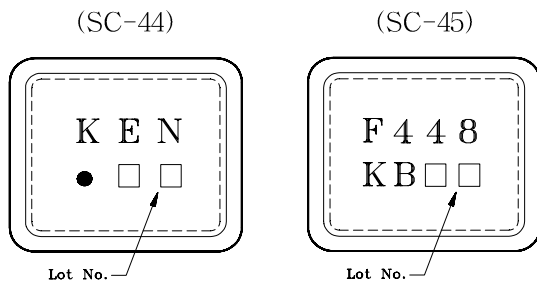
Band pass filters for the receiving RF circuits of transceiver

- High stability and reliability with good performance and no adjustment.
- Wide and sharp pass band characteristics.
- Low insertion loss and deep stop band attenuation for interference.
- Terminating Impedance : $150\Omega//0pF$
- KF448BS(SC-45), KF448BV(SC-44).
- DIP(F-11) Package Type : KF448B.
- $50\Omega//0pF$ Terminating Impedance Type : KF448AS/AV.

MAXIMUM RATINGS ($T_a=25^\circ C$)

ITEM	SYMBOL	RATING	UNIT
Input Signal Level	IS_{max}	0	dBm
DC Permissive Voltage	V_{DC}	+10	V
Operating Temperature Range	T_{opr}	-20~+60	$^\circ C$
Storage Temperature Range	T_{stg}	-30~+85	$^\circ C$

MARKING



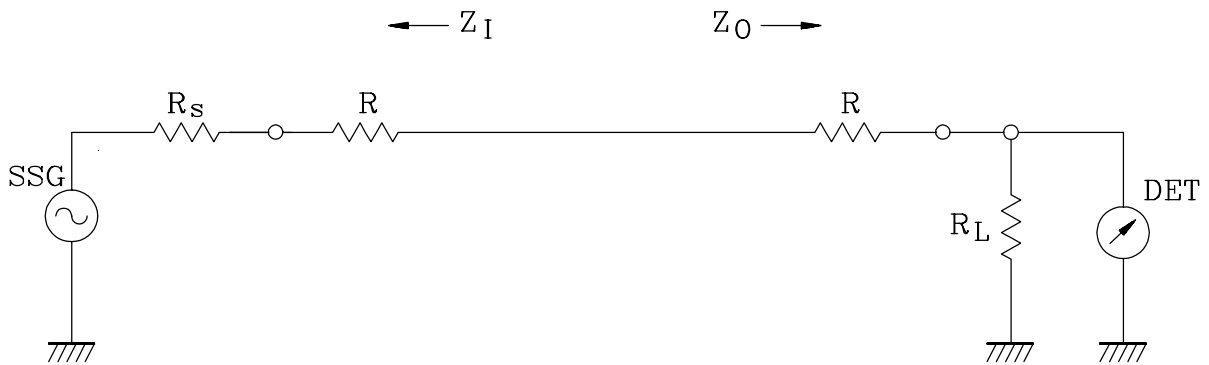
ELECTRICAL CHARACTERISTICS (Temperature $20\pm 2^\circ C$, Humidity $65\pm 5\%$)

ITEMS	SYMBOL	TEST CONDITION	MIN.	TYP.	MAX.	UNIT
Nominal Center Frequency	f_0	-	-	448	-	MHz
Bandwidth	BW_{3dB}	-	$f_0\pm 2.0$	-	-	MHz
Insertion Loss	IL_{PASS}	$f_0\pm 2.0MHz$	-	-	4.0	dB
Ripple Level	A_{RIP}	$f_0\pm 2.0MHz$	-	-	2.0	dB
Rejection Level	IL_{STOP}	$f_0-44.8\sim f_0-40.8MHz$	50	-	-	dB
		$f_0+40.8\sim f_0+44.8MHz$	45	-	-	dB
Input/Output Impedance	$Z_I(Z_O)$	-	-	$150\Omega//0pF$	-	-

KF448BS/BV

TEST CIRCUIT

REFERENCE LEVEL TEST CIRCUIT



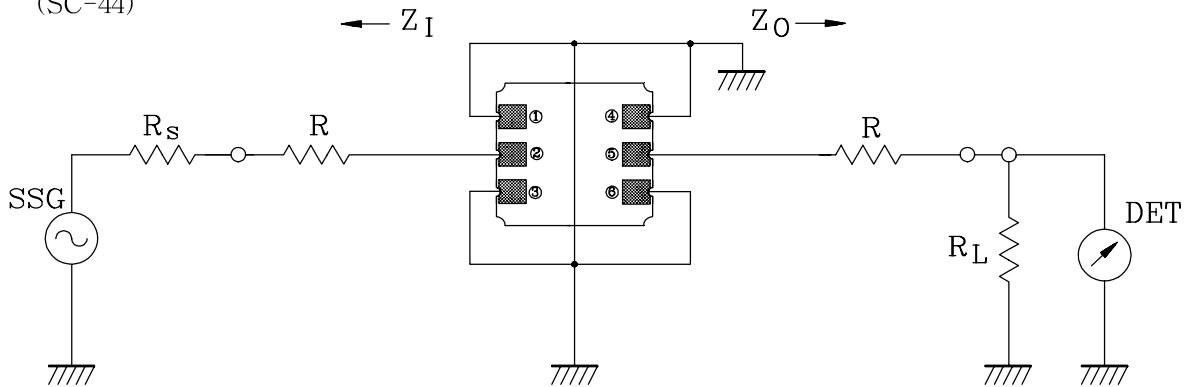
$R_s, R_L : 50\Omega$ (Internal Impedance of Source and Load)

$R : 100\Omega$

$$Z_i(Z_o)=R_s(R_L)+R$$

MEASUREMENT CIRCUIT

(SC-44)



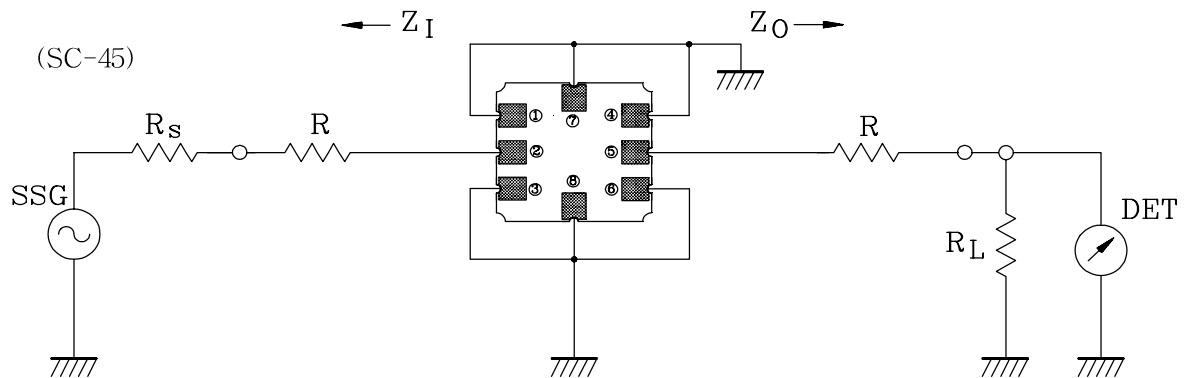
1:Input 2,3:Ground 4:Output

$R_s, R_L : 50\Omega$ (Internal Impedance of Source and Load)

$R : 100\Omega$

$$Z_i(Z_o)=R_s(R_L)+R$$

(SC-45)



2: Input 1,3,4,6,7,8: Ground 5: Output