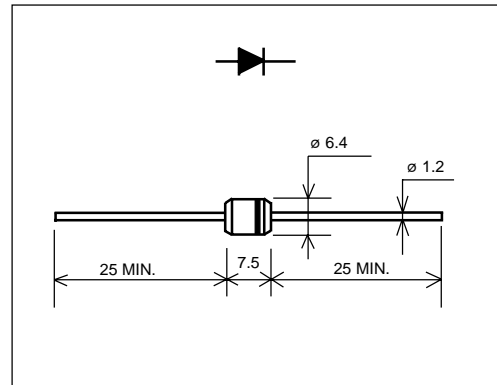


FAST RECOVERY DIODE

■ Outline drawings, mm



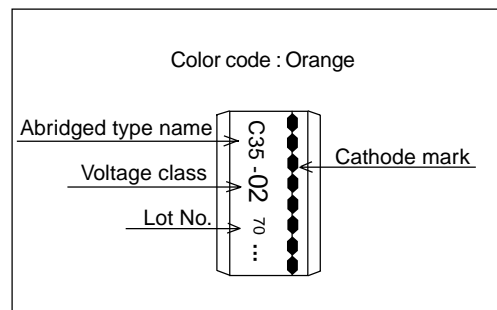
■ Features

- Soft recovery, low noise
- High reliability

■ Applications

- High speed switching

■ Marking



■ Maximum ratings and characteristics

- Absolute maximum ratings

Item	Symbol	Conditions	Rating	Unit
			-02	
Repetitive peak reverse voltage	V_{RRM}		200	V
Average forward current	$I_{F(AV)}$	Square wave, duty=1/2, $T_a = 25^\circ\text{C}$	2.5*	A
Surge current	I_{FSM}	Sine wave 10ms	50	A
Operating junction temperature	T_j		-40 to +150	$^\circ\text{C}$
Storage temperature	T_{stg}		-40 to +150	$^\circ\text{C}$

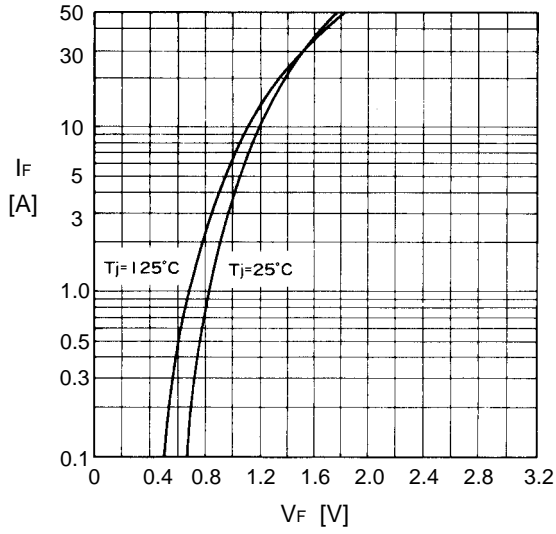
* With cooling Cu fin bothlead(1t x 20 x 20)

- Electrical characteristics ($T_a=25^\circ\text{C}$ Unless otherwise specified)

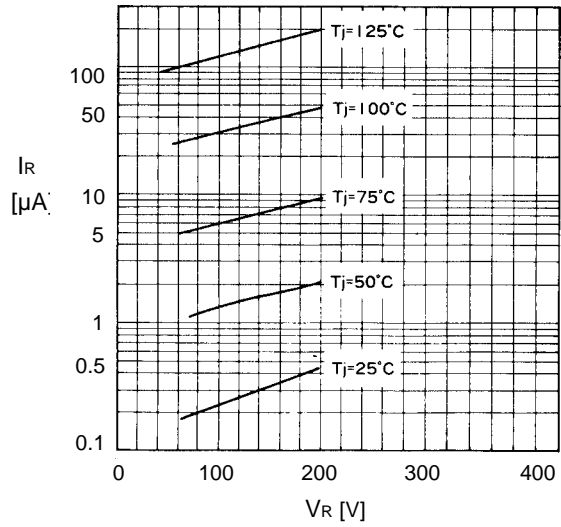
Item	Symbol	Conditions	Max.	Unit
Forward voltage drop	V_{FM}	$I_{FM}=2.5\text{A}$	1.2	V
Reverse current	I_{RRM}	$V_R=V_{RRM}$	20	μA
Reverse recovery time	t_{rr}	$I_F=0.1\text{A}, I_R=0.1\text{A}$	100	ns

■ Characteristics

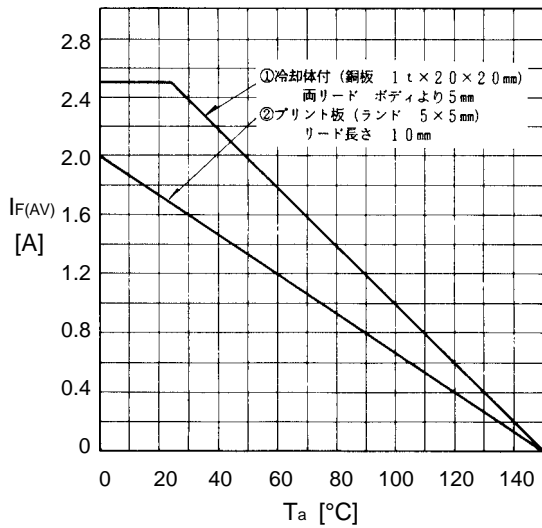
Forward characteristics



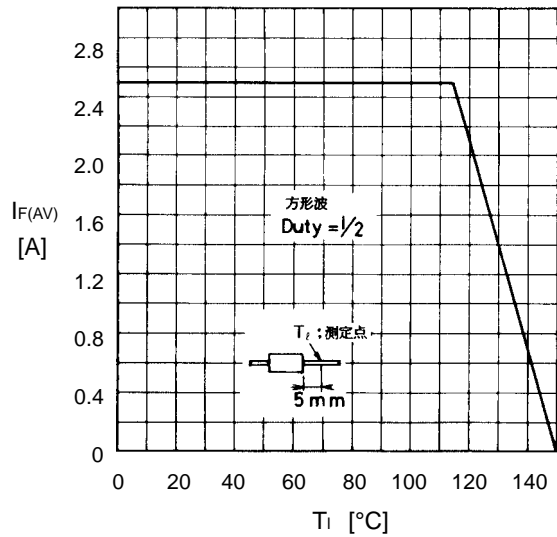
Reverse characteristics



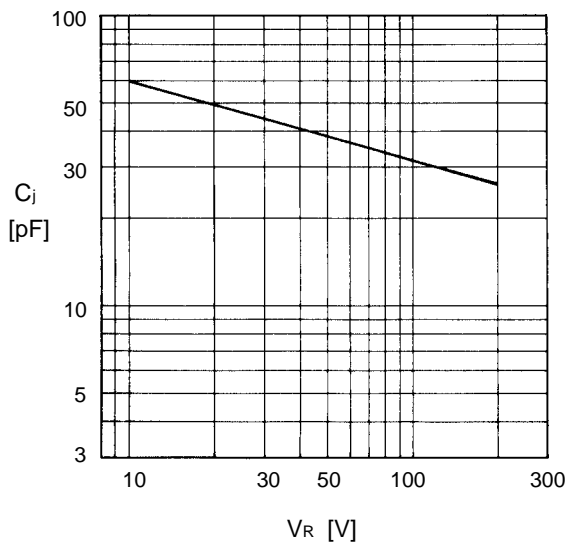
Current derating ($I_{F(AV)}-T_a$)



Current derating ($I_{F(AV)}-T_i$)



Junction capacitance characteristics



Surge capability

