



T8172

LINEAR INTEGRATED CIRCUIT

VERTICAL DEFLECTION OUTPUT CIRCUIT

DESCRIPTION

The UTC **T8172** is a monolithic integrated circuit and designed for Color and B/W TV, Monitors and Displays application. The IC is a differential input, single ended output amplifier with a flyback generator. It is intended to directly drive vertical windings of deflection coils with high efficiency.

FEATURES

- * Power Amplifier
- * Thermal Protection Circuit
- * Flyback Generator
- * Low cross-over distortion

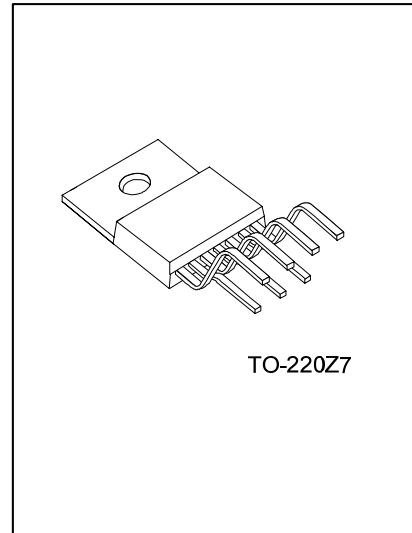
APPLICATIONS

- * Vertical deflection for monitors and TVs

ORDERING INFORMATION

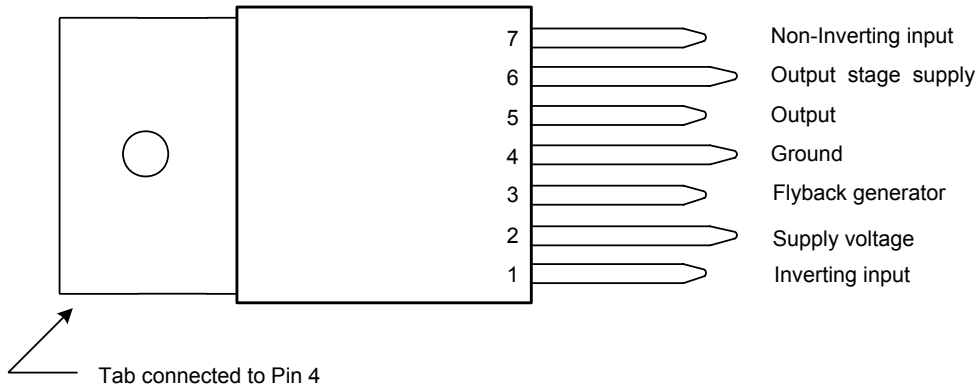
Order Number		Package	Packing
Normal	Lead Free Plating		
T8172-TB7-T	T8172L-TB7-T	TO-220Z7	Tube

<p>T8172L-TB7-T</p> <p>(1)Packing Type (2)Package Type (3)Lead Plating</p>	<p>(1) T: Tube (2) TB7: TO-220Z7 (3) Lead Free Plating, Blank: Pb/Sn</p>
--	--

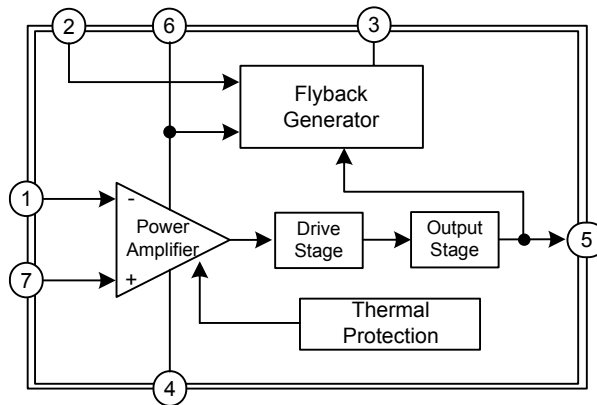


*Pb-free plating product number: T8172L

■ PIN CONFIGURATIONS



■ BLOCK DIAGRAM



■ ABSOLUTE MAXIMUM RATINGS

PARAMETER	SYMBOL	RATINGS	UNIT
Supply Voltage (pin 2)	V_{CC}	35	V
Flyback Peak Voltage	V_5, V_6	60	V
Voltage at Pin 3	V_3	+ V_{CC}	
Amplifier Input Voltage	V_1, V_7	+ $V_{CC} - 0.5$	V
Output Peak Current (non repetitive, $t = 2$ ms)	$I_{O(PEAK)}$	2.5	A
Output Peak Current ($f = 50$ or 60 Hz, $t \leq 10$ us)	$I_{O(PEAK)}$	3	A
Output Peak Current ($f = 50$ or 60 Hz, $t > 10$ us)	$I_{O(PEAK)}$	2	A
Pin 3 DC Current at $V_5 < V_2$	I_3	100	mA
Pin 3 Peak to Peak Flyback Current ($f = 50$ or 60 Hz, $t_{fb} \leq 1.5$ ms)	I_3	3	A
Total Power Dissipation ($T_C = 90$ °C)	P_D	20	W
Junction Temperature	T_J	+150	°C
Storage Temperature	T_{STG}	-40~+150	°C

Note: Absolute maximum ratings are those values beyond which the device could be permanently damaged.
Absolute maximum ratings are stress ratings only and functional device operation is not implied.

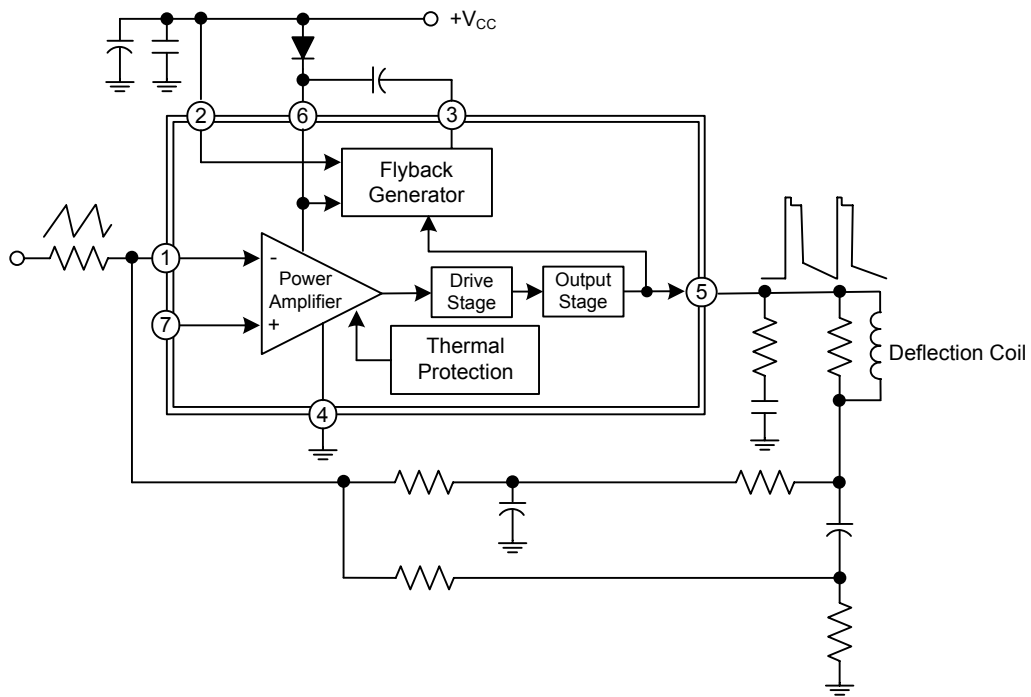
■ THERMAL DATA

PARAMETER	SYMBOL	RATING	UNIT
Thermal Resistance Junction-Case	θ_{JC}	3	°C/W

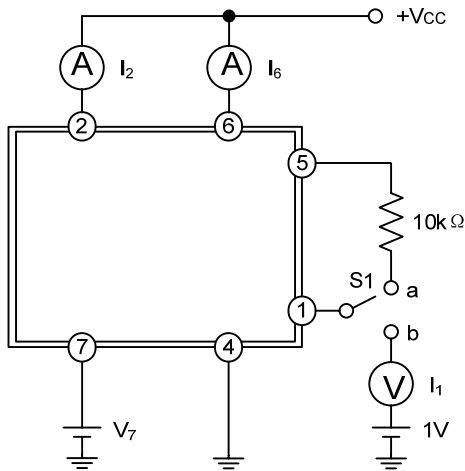
■ ELECTRICAL CHARACTERISTICS ($T_a = 25$ °C, $V_{CC} = 35$ V, unless otherwise specified)

PARAMETER	SYMBOL	TEST CONDITIONS	MIN	TYP	MAX	UNIT
Pin 2 Quiescent Current	I_2	$I_3 = 0, I_5 = 0$		8	16	mA
Pin 6 Quiescent Current	I_6	$I_3 = 0, I_5 = 0$		16	36	mA
Amplifier Input Bias Current	I_1	$V_1 = 1V, V_7 = 2V$		-0.1	-1	μA
		$V_1 = 2V, V_7 = 1V$		-0.1	-1	μA
Pin 3 Saturation Voltage to GND	V_{3L}	$I_3 = 20mA$		1	1.5	V
Quiescent Output Voltage	V_5	$V_{CC} = 35V, R_a = 39k\Omega$		18		V
Output Saturation Voltage to GND	V_{5L}	$I_5 = 1.2A$		1	1.4	V
		$I_5 = 0.7A$		0.7	1	V
Output Saturation Voltage to Supply	V_{5H}	$-I_5 = 1.2A$		1.6	2.2	V
		$-I_5 = 0.7A$		1.3	1.8	V
Thermal Shutdown Junction Temperature	T_J			140		°C

APPLICATION CIRCUIT



■ TEST CIRCUIT
FOR DC Test Circuit



S1 : (a) I_2 and I_6 ; (b) I_1
Figure 1. Measurement of I_1 ; I_2 ; I_6

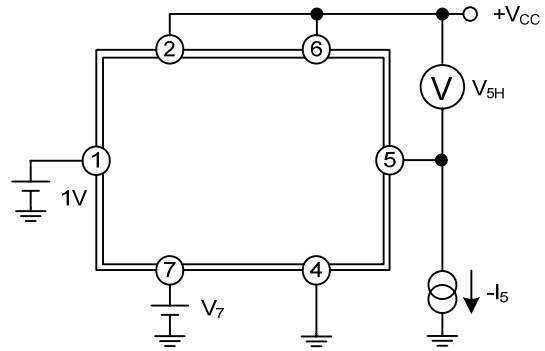
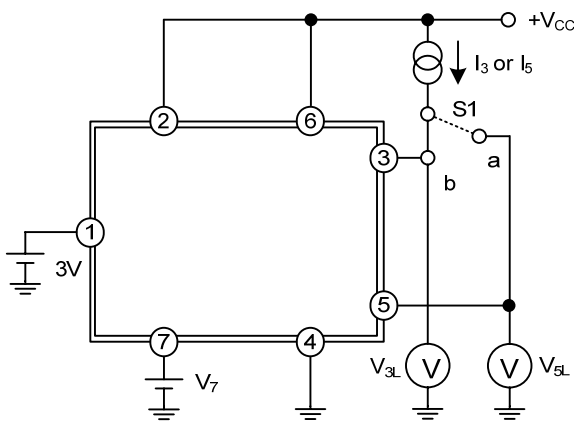


Figure 2. Measurement of V_{5H}



S1 : (a) V_{3L} ; (b) V_{5L}
Figure 3. Measurement of V_{3L} ; V_{5L}

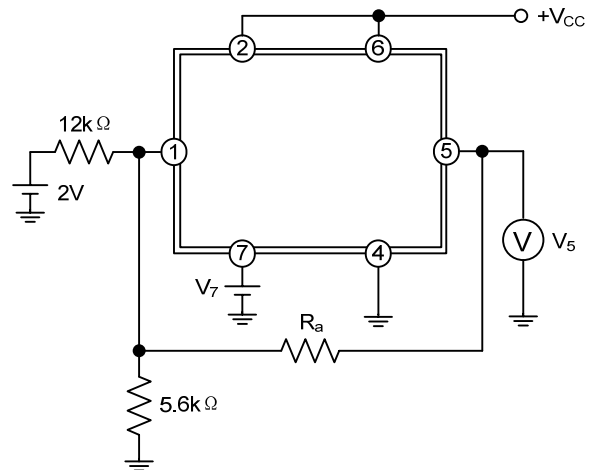


Figure 4. Measurement of V_5

UTC assumes no responsibility for equipment failures that result from using products at values that exceed, even momentarily, rated values (such as maximum ratings, operating condition ranges, or other parameters) listed in products specifications of any and all UTC products described or contained herein. UTC products are not designed for use in life support appliances, devices or systems where malfunction of these products can be reasonably expected to result in personal injury. Reproduction in whole or in part is prohibited without the prior written consent of the copyright owner. The information presented in this document does not form part of any quotation or contract, is believed to be accurate and reliable and may be changed without notice.