

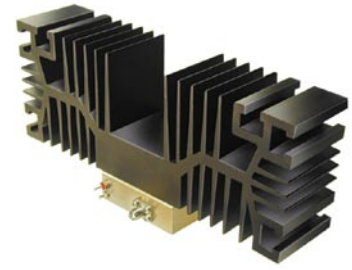
Coaxial Amplifier

ZVE-8G

50Ω Medium High Power 2000 to 8000 MHz

Features

- wideband, 2 to 8 GHz
- low noise, 4 dB typ.
- high IP3, +40 dBm typ.
- high dynamic range
- high gain, 30 dB min
- hermetic package, field replaceable connectors



Applications

- satellite communications
- line-of-sight transmitters
- signal generators
- spread-spectrum communication

CASE STYLE: BN333

Connectors	Model	Price	Qty.
SMA	ZVE-8G	\$1095.00	(1-9)

Electrical Specifications

MODEL NO.	FREQUENCY (MHz)		GAIN (dB)		MAXIMUM POWER (dBm)		DYNAMIC RANGE		VSWR (:1) Max.		DC POWER	
	f_L	f_U	Min.	Flatness Max.	Output (1 dB Compr. Min.)	Input (no damage)	NF (dB) Typ.	IP3 (dBm) Typ.	In	Out	Volt (V) Nom.	Current (A) Max.
ZVE-8G	2000	8000	30	±2.0	+30*	+20	4	+40	2.0	2.0	12	1.2

*At 25°C; +30 dBm typ. at 54°C ambient.

Open load is not recommended, potentially can cause damage.

With no load derate max input power by 20 dB

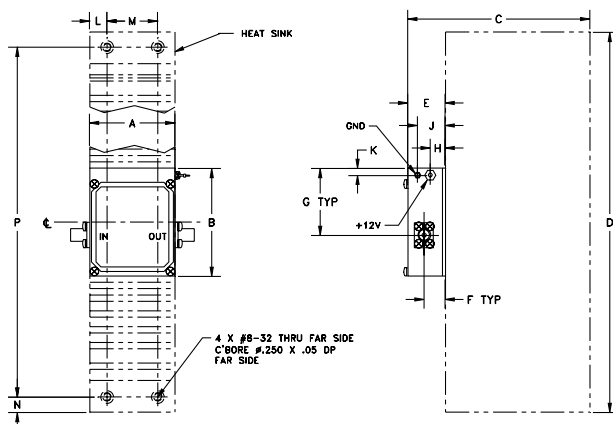
Maximum Ratings

Operating Temperature -55°C to 54°C

Storage Temperature -65°C to 150°C

DC Voltage +18V Max.

Outline Drawing



Outline Dimensions (inch/mm)

A	B	C	D	E	F	G	H
1.680	2.130	3.6	7.5	.75	.42	1.32	.30
42.67	54.10	91.44	190.50	19.05	10.67	33.53	7.62
J	K	L	M	N	P	wt	
.55	.33	.34	1.000	.30	6.900	grams	
13.97	8.38	8.64	25.40	7.62	175.26	755	



P.O. Box 350166, Brooklyn, New York 11235-0003 (718) 934-4500 Fax (718) 332-4661 For detailed performance specs & shopping online see Mini-Circuits web site



The Design Engineers Search Engine Provides ACTUAL Data Instantly From MINI-CIRCUITS At: www.minicircuits.com

RF/IF MICROWAVE COMPONENTS

FREQUENCY (MHz)	GAIN (dB)	DIRECTIVITY (dB)	VSWR (:1)		NOISE FIGURE (dB)	POUT at 1 dB COMPR. (dBm)
	12V	12V	IN	OUT	12V	12V
2000.00	35.04	13.10	1.28	1.36	5.23	31.11
2300.00	35.84	14.00	1.36	1.16	4.89	32.06
2600.00	36.02	21.60	1.41	1.13	4.44	32.27
3200.00	35.54	22.60	1.32	1.30	4.16	32.63
3500.00	35.33	43.10	1.27	1.30	4.11	32.74
3800.00	35.25	24.80	1.25	1.35	4.05	32.72
4100.00	35.30	21.00	1.21	1.44	4.05	32.13
4400.00	35.08	25.00	1.17	1.51	4.09	32.36
4700.00	34.96	17.30	1.13	1.52	4.10	32.37
5000.00	34.86	15.60	1.10	1.51	4.08	32.56
5300.00	34.78	17.40	1.09	1.48	4.15	31.74
5600.00	34.74	21.30	1.18	1.41	4.16	32.04
5900.00	34.85	19.00	1.29	1.28	4.23	32.01
6200.00	35.03	16.40	1.43	1.17	4.37	32.08
6500.00	35.07	25.70	1.47	1.19	4.33	31.98
6800.00	35.37	13.50	1.41	1.32	4.26	31.97
7100.00	35.63	18.80	1.40	1.42	4.34	31.50
7400.00	35.95	20.10	1.42	1.33	4.36	31.59
7700.00	35.84	11.80	1.42	1.29	4.22	31.48
8000.00	35.41	18.50	1.27	1.34	4.20	31.57

