



ST485

Low power RS-485/RS-422 transceiver

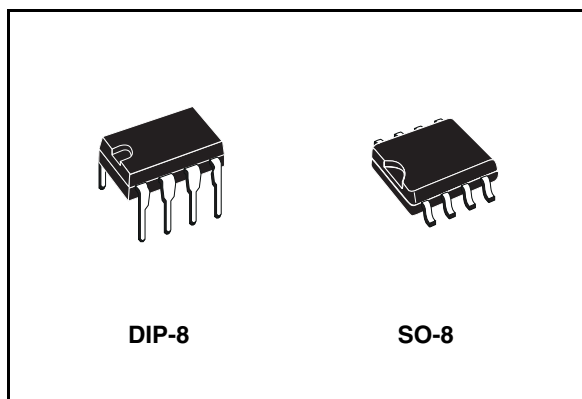
General features

- Low quiescent current: 300 μ A
- Designed for RS-485 interface application
- -7V to 12V common mode input voltage range
- Driver maintains high impedance in 3-state or with the power OFF
- 70mV typical input hysteresis
- 30ns propagation delay, 5ns skew
- Operate from a single 5V supply
- Current limiting and thermal shutdown for driver overload protection
- Allows up to 64 transceivers on the bus

Description

The ST485 is a low power transceiver for RS-485 and RS-422 communication. Each part contains one driver and one receiver.

This transceiver draws 300 μ A (typ.) of supply current when unloaded or fully loaded with disabled drivers.



It operates from a single 5V supply.

Driver is short-circuit current limited and is protected against excessive power dissipation by thermal shutdown circuitry that places the driver outputs into a high-impedance state.

The ST485 is designed for bi-directional data communications on multipoint bus transmission line (half-duplex applications).

The ST485 is available in three temperature ranges: commercial (0°C to 70°C), industrial (-40°C to 85°C) and automotive (-55°C to 125°C)

Order code

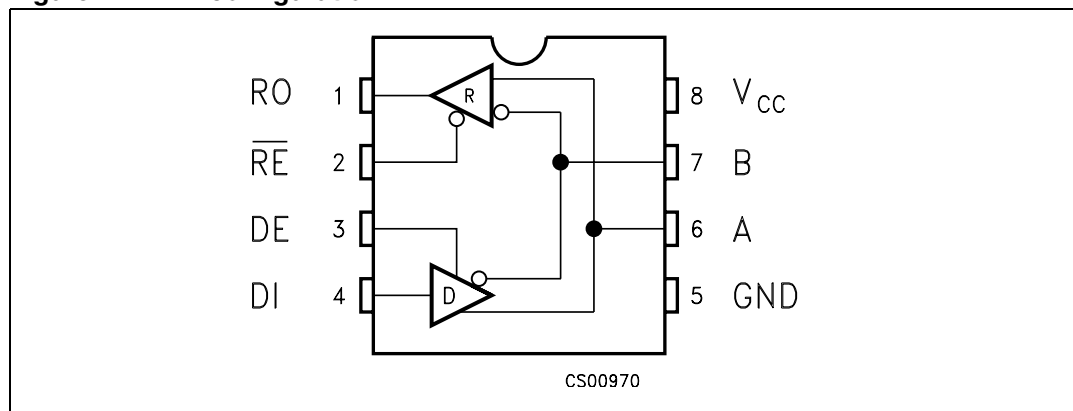
| Part number | Temperature range | Package | Packaging |
|-------------|-------------------|--------------------|------------------------------------|
| ST485CN | 0 to 70 °C | DIP-8 | 50parts per tube / 40tube per box |
| ST485BN | -40 to 85 °C | DIP-8 | 50parts per tube / 40tube per box |
| ST485XN | -55 to 125 °C | DIP-8 | 50parts per tube / 40tube per box |
| ST485CD | 0 to 70 °C | SO-8 (Tube) | 100parts per tube / 20tube per box |
| ST485BD | -40 to 85 °C | SO-8 (Tube) | 100parts per tube / 20tube per box |
| ST485CDR | 0 to 70 °C | SO-8 (Tape & reel) | 2500 parts per reel |
| ST485BDR | -40 to 85 °C | SO-8 (Tape & reel) | 2500 parts per reel |
| ST485XDR | -55 to 125 °C | SO-8 (Tape & reel) | 2500 parts per reel |

Contents

| | | |
|----------|---|-----------|
| 1 | Pin configuration | 3 |
| | 1.1 Pin description | 3 |
| 2 | Truth tables | 4 |
| 3 | Maximum ratings | 5 |
| 4 | Electrical characteristics | 6 |
| | 4.1 Driver switching characteristics | 7 |
| | 4.2 Receiver switching characteristics | 8 |
| 5 | Test circuit and typical characteristics | 9 |
| 6 | Package mechanical data | 14 |
| 7 | Revision history | 18 |

1 Pin configuration

Figure 1. Pin configuration



1.1 Pin description

Table 1. Pin description

| Pin n° | Symbol | Name and function |
|--------|-----------------|--|
| 1 | RO | Receiver Output |
| 2 | RE | Receiver Output Enable |
| 3 | DE | Driver Output Enable |
| 4 | DI | Driver Input |
| 5 | GND | Ground |
| 6 | A | Non-inverting Receiver Input and Non-inverting Driver Output |
| 7 | B | Inverting Receiver Input and Inverting Driver Output |
| 8 | V _{CC} | Supply Voltage |

2 Truth tables

Table 2. Truth table (driver)

| Inputs | | | Outputs | |
|--------|----|----|---------|---|
| RE | DE | DI | B | A |
| X | H | H | L | H |
| X | H | L | H | L |
| X | L | X | Z | Z |

Note: X = Don't care; Z = High impedance

Table 3. Truth table (receiver)

| Inputs | | | Outputs |
|--------|----|--------------|---------|
| RE | DE | A-B | RO |
| L | L | $\geq +0.2V$ | H |
| L | L | $\leq -0.2V$ | L |
| L | L | INPUTS OPEN | H |
| H | L | X | Z |

Note: X = Don't care; Z = High impedance

3 Maximum ratings

Table 4. Absolute maximum ratings

| Symbol | Parameter | Value | Unit |
|----------|---|----------------------------|------|
| V_{CC} | Supply Voltage | 7 | V |
| V_I | Control Input Voltage (\overline{RE} , DE) | -0.5 to ($V_{CC} + 0.5$) | V |
| V_{DI} | Driver Input Voltage (DI) | -0.5 to ($V_{CC} + 0.5$) | V |
| V_{DO} | Driver Output Voltage (A, B) | ± 14 | V |
| V_{RI} | Receiver Input Voltage (A, B) | ± 14 | V |
| V_{RO} | Receiver Output Voltage (RO) | -0.5 to ($V_{CC} + 0.5$) | V |

Note: Absolute maximum ratings are those values beyond which damage to the device may occur. Functional operation under these condition is not implied. V_+ and V_- can have a maximum magnitude of +7V, but their absolute addition can not exceed 13 V.

4 Electrical characteristics

$V_{CC} = 5V \pm 5\%$, $T_A = T_{MIN}$ to T_{MAX} , unless otherwise specified. Typical values are referred to $T_A = 25^\circ C$

Table 5. DC Electrical characteristics

| Symbol | Parameter | Test conditions ⁽¹⁾ | Value | | | | | Unit |
|-----------------|---|--|--------------|-----|-----------|---------------|-----------|------------|
| | | | -40 to 85 °C | | | -55 to 125 °C | | |
| | | | Min | Typ | Max | Min | Max | |
| V_{OD1} | Differential Driver Output (No Load) | | | | 5 | | 5 | V |
| V_{OD2} | Differential Driver Output (With Load) | $R_L = 27\Omega$ (RS-485) (<i>Figure 2.</i>) $R_L = 50\Omega$ (RS-422) (<i>Figure 2.</i>) | 1.5 | | 5 5 | 1.4 | 5 5 | V V |
| ΔV_{OD} | Change in Magnitude of Driver Differential Output Voltage for Complementary Output States | $R_L = 27\Omega$ or 50Ω (<i>Figure 2.</i>) | | | 0.2 | | 0.2 | V |
| V_{OC} | Driver Common-Mode Output Voltage | $R_L = 27\Omega$ or 50Ω (<i>Figure 2.</i>) | | | 3 | | 3 | V |
| ΔV_{OC} | Change in Magnitude of Driver Common-Mode Output Voltage for Complementary Output States | $R_L = 27\Omega$ or 50Ω (<i>Figure 2.</i>) | | | 0.2 | | 0.2 | V |
| V_{IH} | Input High Voltage | \overline{RE} , DE, DI | 2.0 | | | 2.0 | | V |
| V_{IL} | Input Low Voltage | \overline{RE} , DE, DI | | | 0.8 | | 0.8 | V |
| I_{IN1} | Input Current | \overline{RE} , DE, DI | | | ± 2 | | ± 2 | μA |
| I_{IN2} | Input Current (A, B) | $V_{CM} = 0V$ or $5.25V$ $V_{DE} = 0V$ $V_{IN} = 12V$ $V_{IN} = -7V$ | | | 1 -0.8 | | 1 -0.8 | mA mA |
| V_{TH} | Receiver Differential Threshold Voltage | $V_{CM} = -7$ to $12V$ | -0.2 | | 0.2 | -0.2 | 0.2 | V |
| ΔV_{TH} | Receiver Input Hysteresis | $V_{CM} = 0V$ | | 70 | | | | mV |
| V_{OH} | Receiver Output High Voltage | $I_O = -4mA$ $V_{ID} = 200mV$ | 3.5 | | | 3.4 | | V |
| V_{OL} | Receiver Output Low Voltage | $I_O = 4mA$ $V_{ID} = -200mV$ | | | 0.4 | | 0.55 | V |
| I_{OZR} | 3-State (High Impedance) Output Current at Receiver | $V_O = 0.4$ to $2.4V$ | | | ± 1 | | ± 1 | μA |
| R_{IN} | Receiver Input Resistance | $V_{CM} = -7$ to $12V$ | 24 | | | 24 | | K Ω |

Table 5. DC Electrical characteristics

| Symbol | Parameter | Test conditions ⁽¹⁾ | Value | | | | | Unit |
|-------------------|--|--|--------------|------------|------------|---------------|------------|----------|
| | | | -40 to 85 °C | | | -55 to 125 °C | | |
| | | | Min | Typ | Max | Min | Max | |
| I _{CC} | No Load Supply Current ⁽²⁾ | V _{RE} = 0V or V _{CC} V _{DE} = V _{CC} V _{DE} = 0V | | 400 300 | 900 500 | | 900 500 | μA μA |
| I _{OSD1} | Driver Short-Circuit Current, V _O =High | V _O = -7 to 12V ⁽³⁾ | 35 | | 250 | 35 | 250 | mA |
| I _{OSD2} | Driver Short-Circuit Current, V _O =Low | V _O = -7 to 12V ⁽³⁾ | 35 | | 250 | 35 | 250 | mA |
| I _{OSR} | Receiver Short-Circuit Current | V _O = 0V to V _{CC} | 7 | | 95 | 7 | 95 | mA |

1. All currents into device pins are positive; all currents out of device pins are negative; all voltages are referenced to device ground unless specified.
2. Supply current specification is valid for loaded transmitters when V_{DE} = 0V
3. Applies to peak current. See typical Operating Characteristics.

4.1 Driver switching characteristics

V_{CC} = 5V ± 5%, T_A = T_{MIN} to T_{MAX}, unless otherwise specified. Typical values are referred to T_A = 25°C

Table 6. Driver switching characteristics

| Symbol | Parameter | Test conditions ⁽¹⁾ | Value | | | | | Unit |
|--------------------------------------|--------------------------------------|--|--------------|------|------|---------------|------|------|
| | | | -40 to 85 °C | | | -55 to 125 °C | | |
| | | | Min. | Typ. | Max. | Min. | Max. | |
| t _{PLH} t _{PHL} | Propagation Delay Input to Output | R _{DIFF} = 54Ω, C _{L1} = C _{L2} = 100pF (See Figure 4. and Figure 6.) | 10 | 30 | 60 | | 70 | ns |
| t _{SK} | Output Skew to Output | R _{DIFF} = 54Ω, C _{L1} = C _{L2} = 100pF (See Figure 4. and Figure 6.) | | 5 | 10 | | 10 | ns |
| t _{TLH} t _{THL} | Rise or Fall Time | R _{DIFF} = 54Ω, C _{L1} = C _{L2} = 100pF (See Figure 4. and Figure 6.) | 3 | 15 | 40 | 3 | 45 | ns |
| t _{PZH} | Output Enable Time | C _L = 100pF, FS2 = Closed (See Figure 5. and Figure 7.) | | 70 | 90 | | 90 | ns |
| t _{PZL} | Output Enable Time | C _L = 100pF, FS1 = Closed (See Figure 5. and Figure 7.) | | 70 | 90 | | 90 | ns |
| t _{PLZ} | Output Disable Time | C _L = 15pF, FS1 = Closed (See Figure 5. and Figure 7.) | | 70 | 90 | | 90 | ns |
| t _{PHZ} | Output Disable Time | C _L = 15pF, FS2 = Closed (See Figure 5. and Figure 7.) | | 70 | 90 | | 90 | ns |

1. All currents into device pins are positive; all currents out of device pins are negative; all voltages are referenced to device ground unless specified.

4.2 Receiver switching characteristics

$V_{CC} = 5V \pm 5\%$, $T_A = T_{MIN}$ to T_{MAX} , unless otherwise specified. Typical values are referred to $T_A = 25^\circ C$)

Table 7. Receiver switching characteristics

| Symbol | Parameter | Test conditions (1) | Value | | | | | Unit |
|------------------------|-----------------------------------|---|--------------|------|------|--------------|------|------|
| | | | -40 to 85 °C | | | -55 to 125°C | | |
| | | | Min. | Typ. | Max. | Min. | Max. | |
| t_{PLH} t_{PHL} | Propagation Delay Input to Output | $R_{DIFF} = 54\Omega$, $C_{L1} = C_{L2} = 100pF$ (See Figure 4. and Figure 8.) | 20 | 130 | 210 | | 230 | ns |
| t_{SKD} | Differential Receiver Skew | $R_{DIFF} = 54\Omega$, $C_{L1} = C_{L2} = 100pF$ (See Figure 4. and Figure 8.) | | 13 | | | | ns |
| t_{PZH} | Output Enable Time | $C_{RL} = 15pF$, $S1 = Closed$ (See Fig. 2 and Figure 9.) | | 20 | 50 | | 56 | ns |
| t_{PZL} | Output Enable Time | $C_{RL} = 15pF$, $S2 = Closed$ (See Fig. 2 and Figure 9.) | | 20 | 50 | | 56 | ns |
| t_{PLZ} | Output Disable Time | $C_{RL} = 15pF$, $S1 = Closed$ (See Fig. 2 and Figure 9.) | | 20 | 50 | | 56 | ns |
| t_{PHZ} | Output Disable Time | $C_{RL} = 15pF$, $S2 = Closed$ (See Fig. 2 and Figure 9.) | | 20 | 50 | | 56 | ns |
| f_{MAX} | Maximum Data Rate | | 2.5 | | | 2.5 | | Mbps |

1. All currents into device pins are positive; all currents out of device pins are negative; all voltages are referenced to device ground unless specified

5 Test circuit and typical characteristics

Figure 2. Driver DC test load

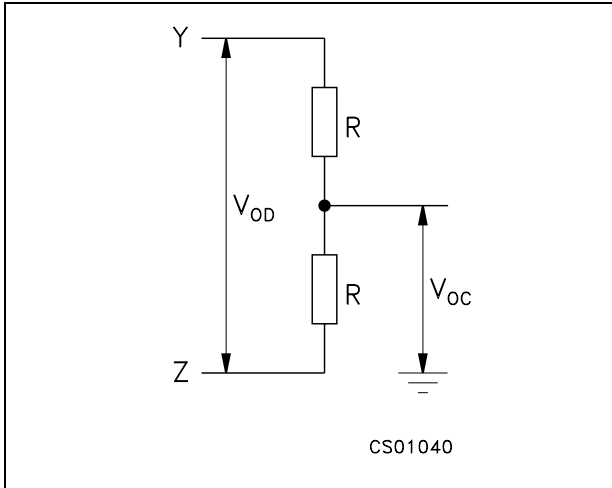


Figure 3. Receiver timing test load

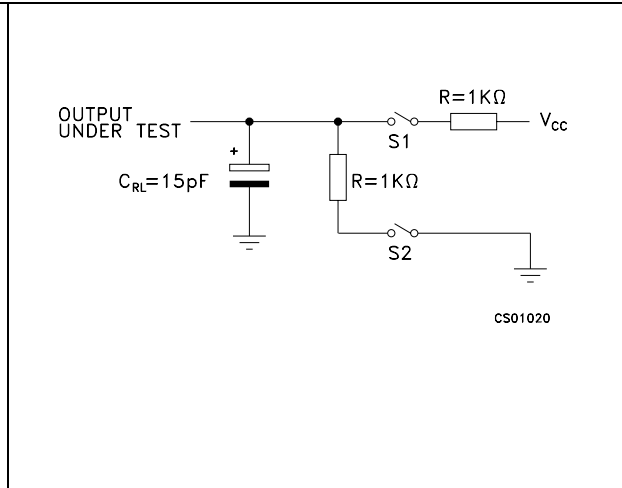


Figure 4. Drive/receiver timing test circuit

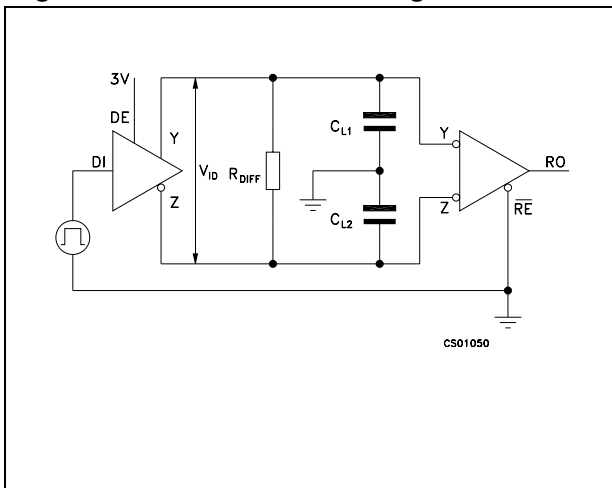


Figure 5. Driver timing test load

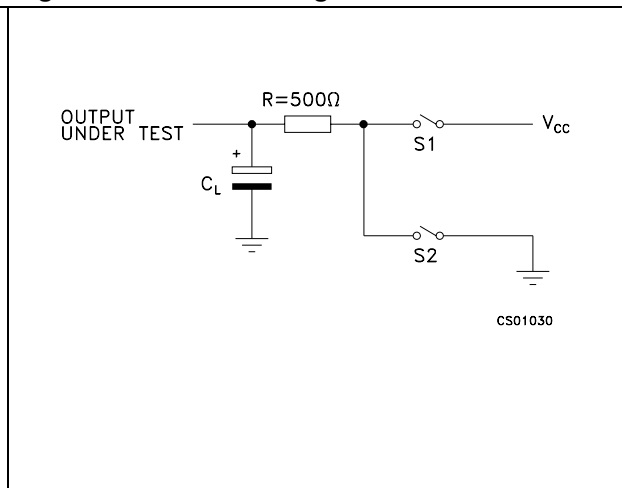


Figure 6. Driver propagation delay

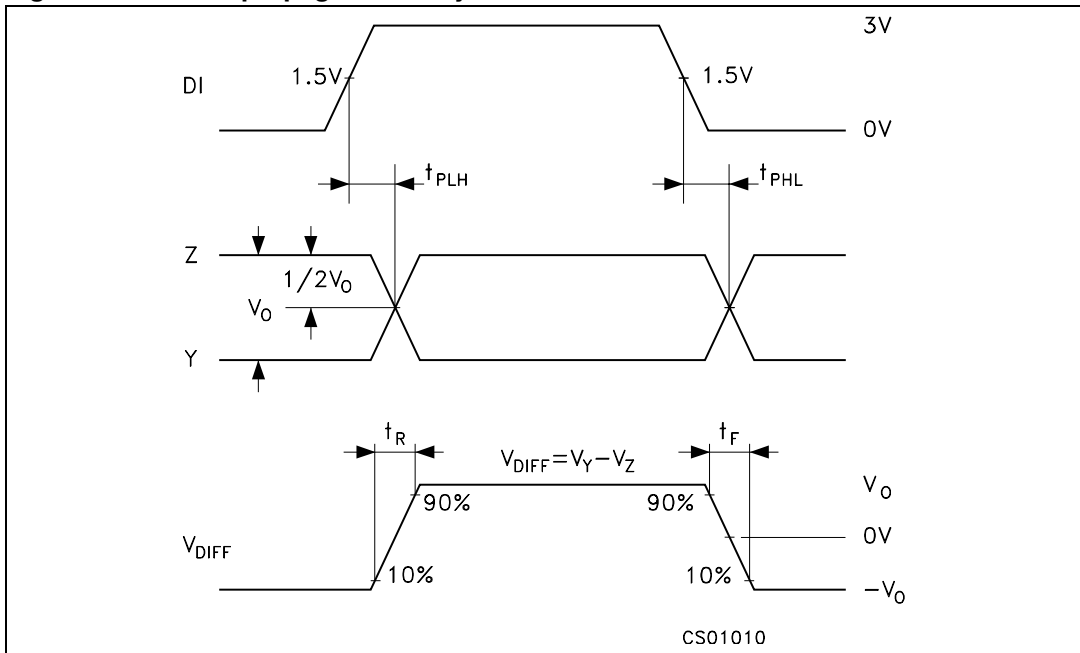


Figure 7. Driver enable and disable time

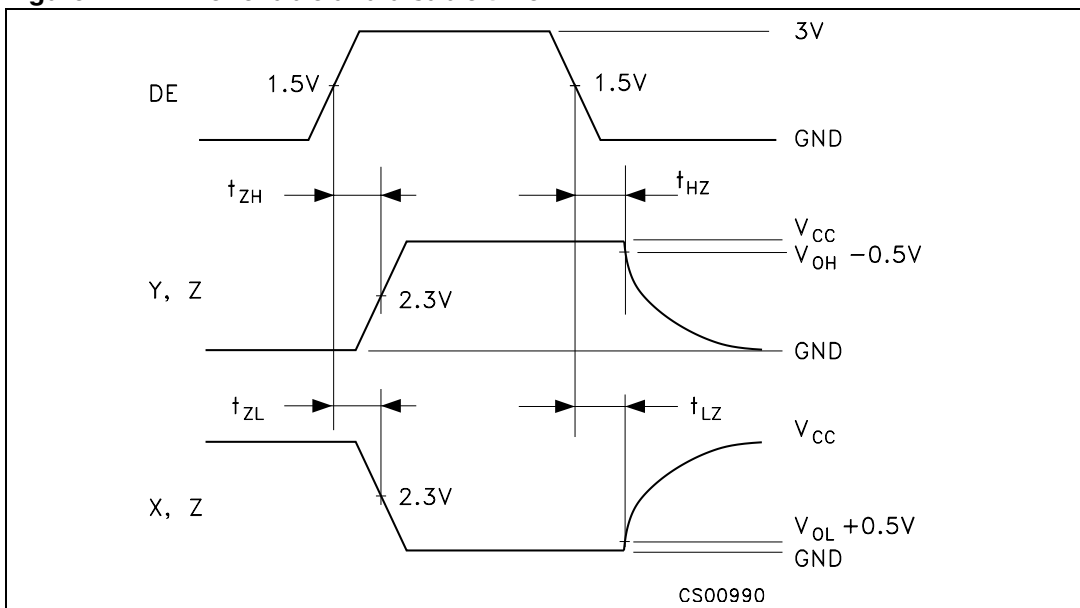


Figure 8. Receiver propagation delay

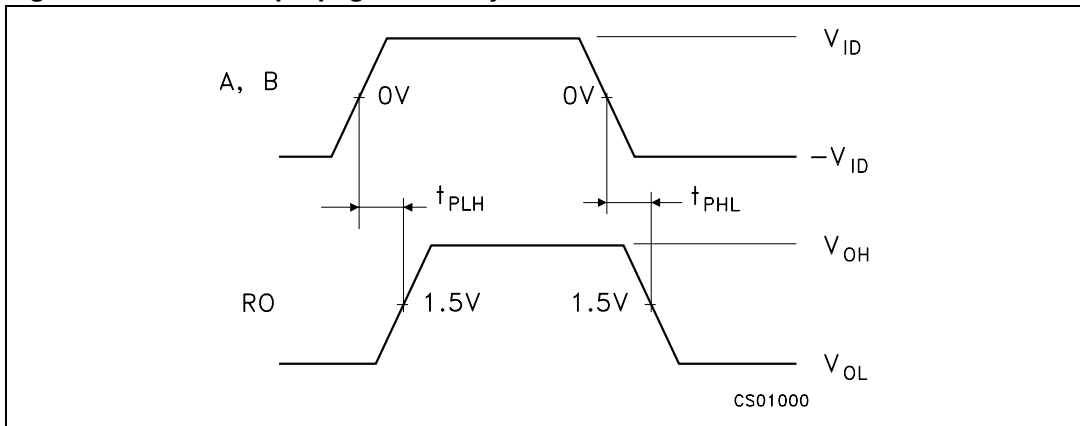


Figure 9. Receiver Enable and Disable Time

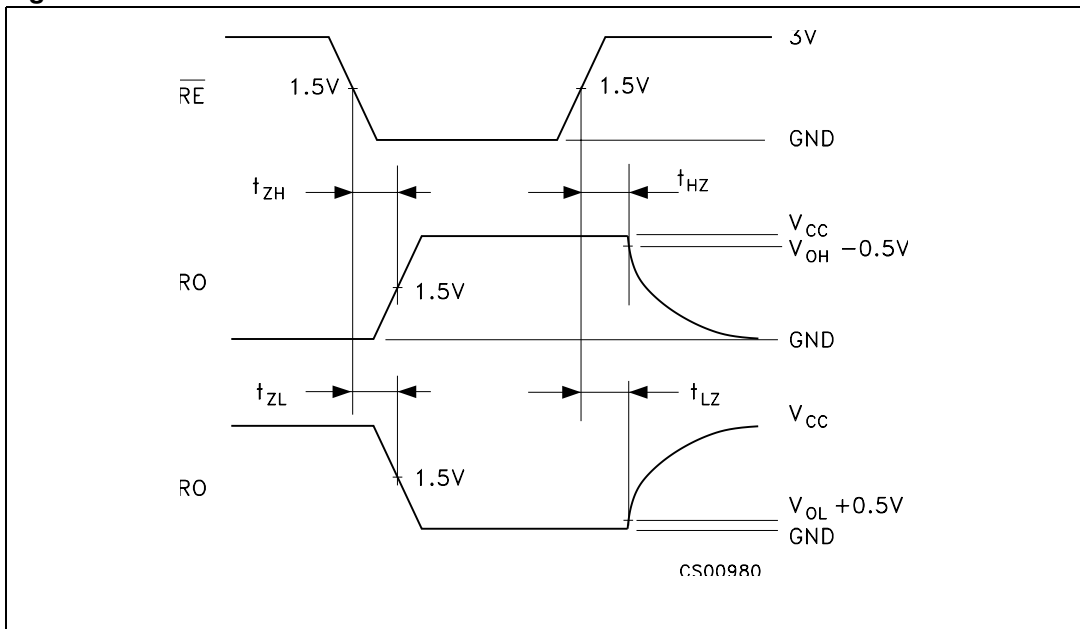


Figure 10. Receiver output current vs. output low voltage

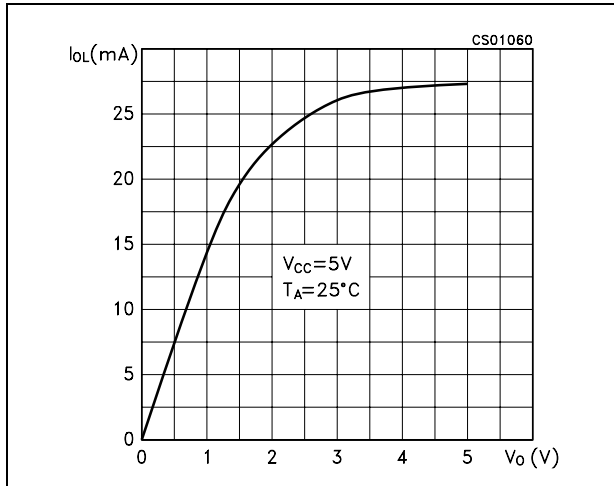


Figure 11. Receiver output current vs. output high voltage

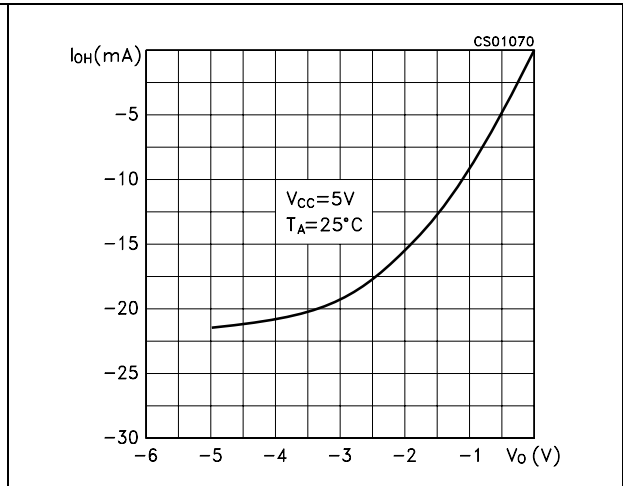


Figure 12. Driver output current vs. output low voltage

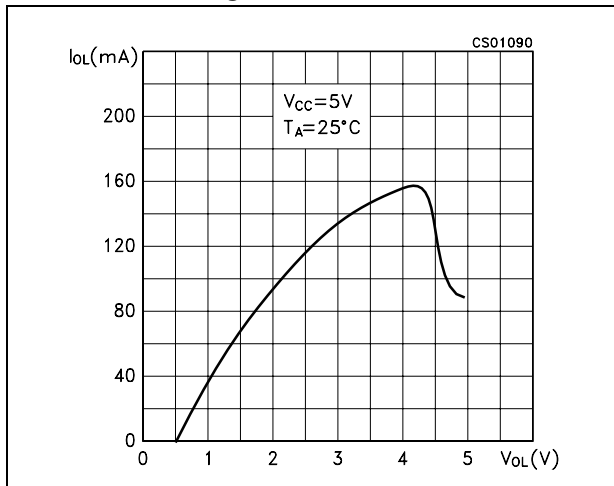


Figure 13. Driver output current vs. output high voltage

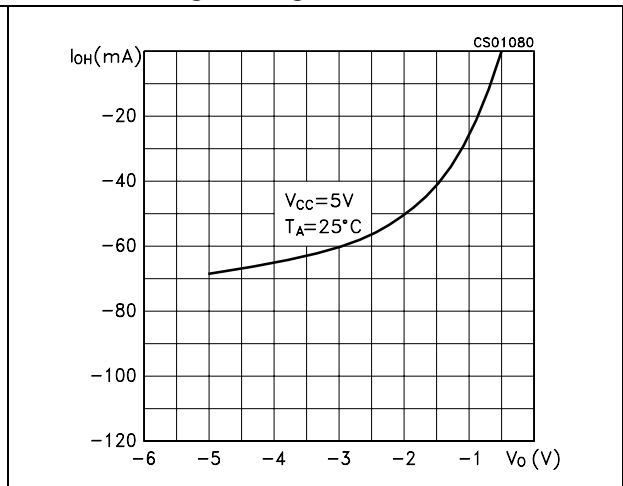


Figure 14. Supply current vs. temperature

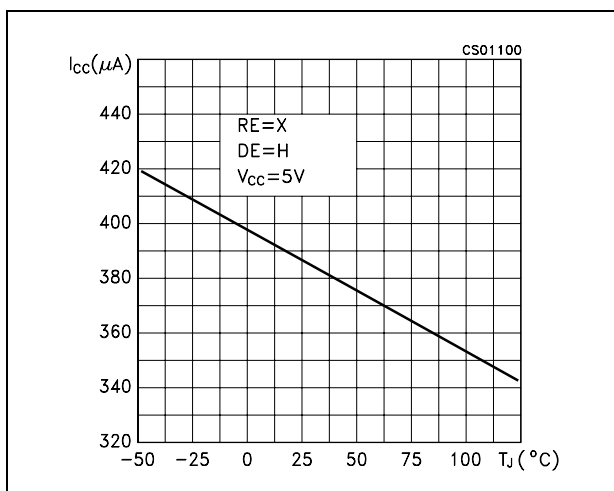


Figure 15. Receiver high level output voltage vs. temperature

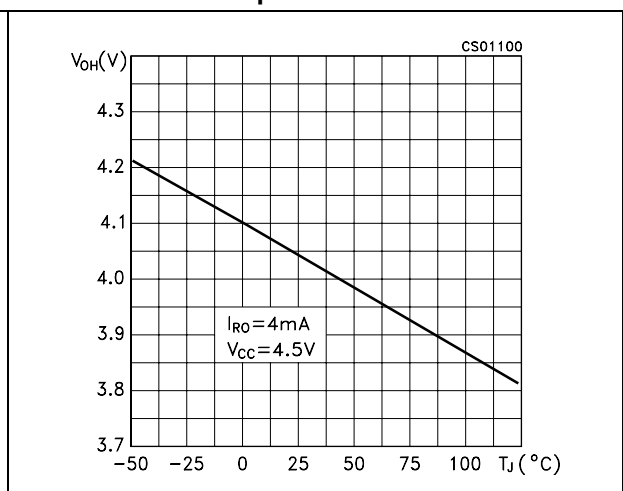


Figure 16. Receiver low level output voltage vs. temperature

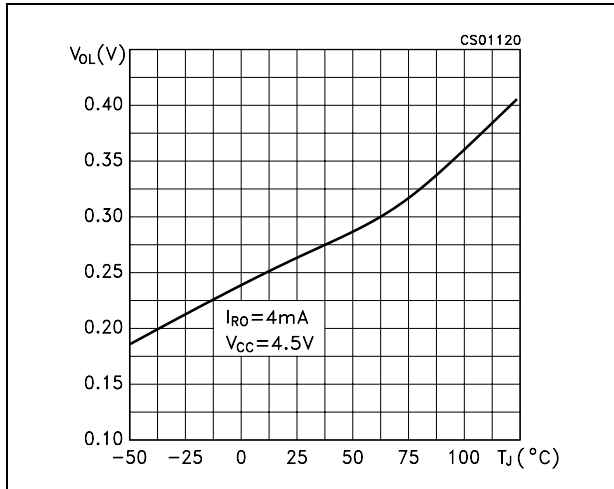
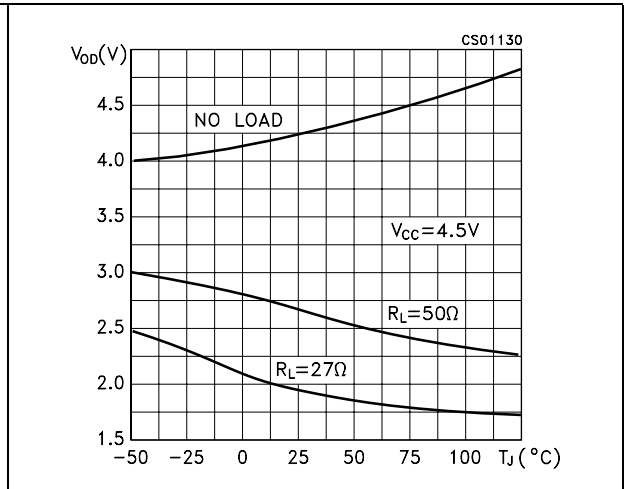


Figure 17. Differential driver output voltage vs. temperature

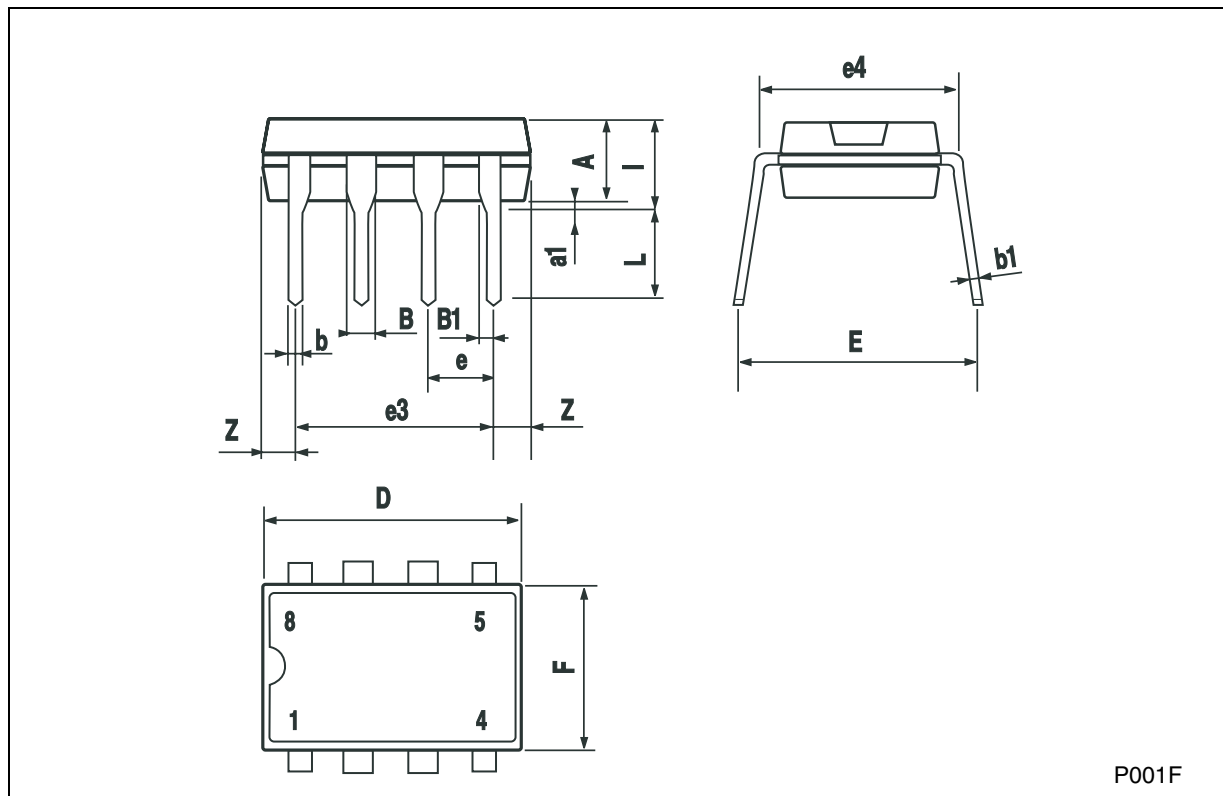


6 Package mechanical data

In order to meet environmental requirements, ST offers these devices in ECOPACK® packages. These packages have a Lead-free second level interconnect. The category of second level interconnect is marked on the package and on the inner box label, in compliance with JEDEC Standard JESD97. The maximum ratings related to soldering conditions are also marked on the inner box label. ECOPACK is an ST trademark. ECOPACK specifications are available at: www.st.com

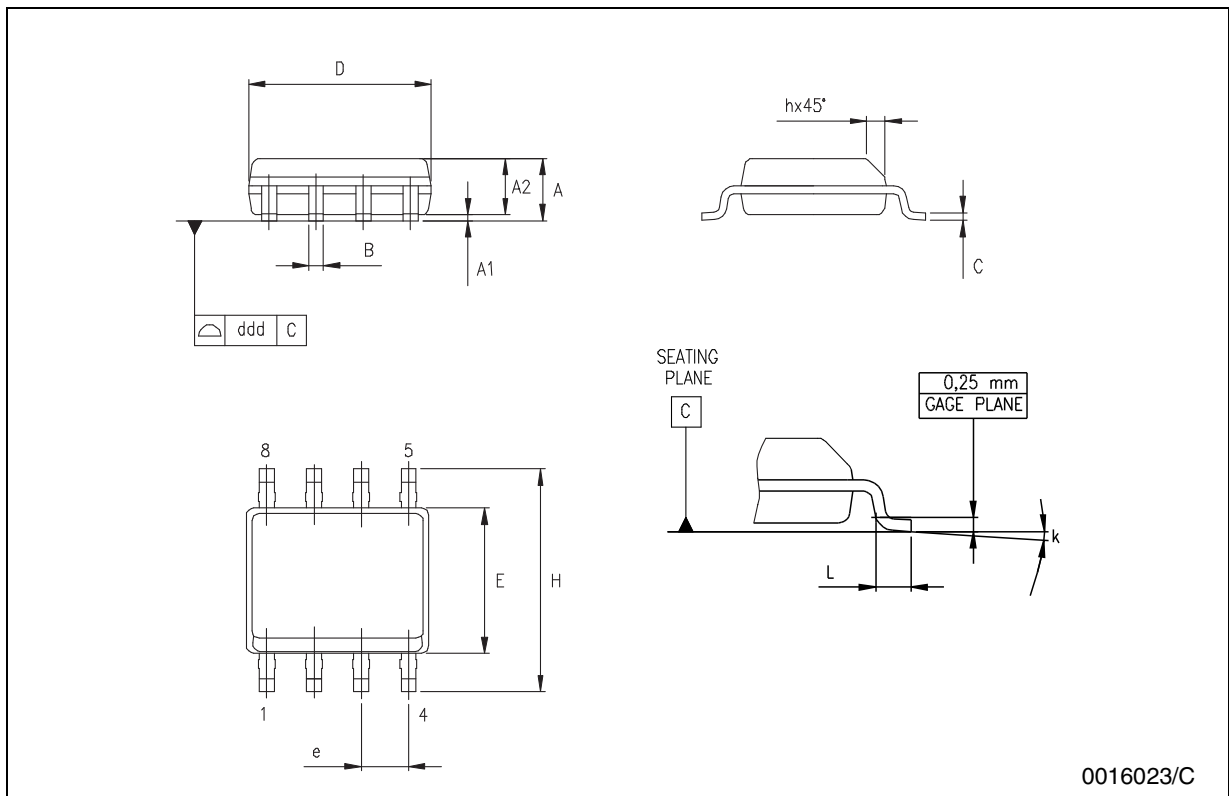
Plastic DIP-8 MECHANICAL DATA

| DIM. | mm. | | | inch | | |
|------|------|------|------|-------|-------|-------|
| | MIN. | TYP | MAX. | MIN. | TYP. | MAX. |
| A | | 3.3 | | | 0.130 | |
| a1 | 0.7 | | | 0.028 | | |
| B | 1.39 | | 1.65 | 0.055 | | 0.065 |
| B1 | 0.91 | | 1.04 | 0.036 | | 0.041 |
| b | | 0.5 | | | 0.020 | |
| b1 | 0.38 | | 0.5 | 0.015 | | 0.020 |
| D | | | 9.8 | | | 0.386 |
| E | | 8.8 | | | 0.346 | |
| e | | 2.54 | | | 0.100 | |
| e3 | | 7.62 | | | 0.300 | |
| e4 | | 7.62 | | | 0.300 | |
| F | | | 7.1 | | | 0.280 |
| l | | | 4.8 | | | 0.189 |
| L | | 3.3 | | | 0.130 | |
| Z | 0.44 | | 1.6 | 0.017 | | 0.063 |



SO-8 MECHANICAL DATA

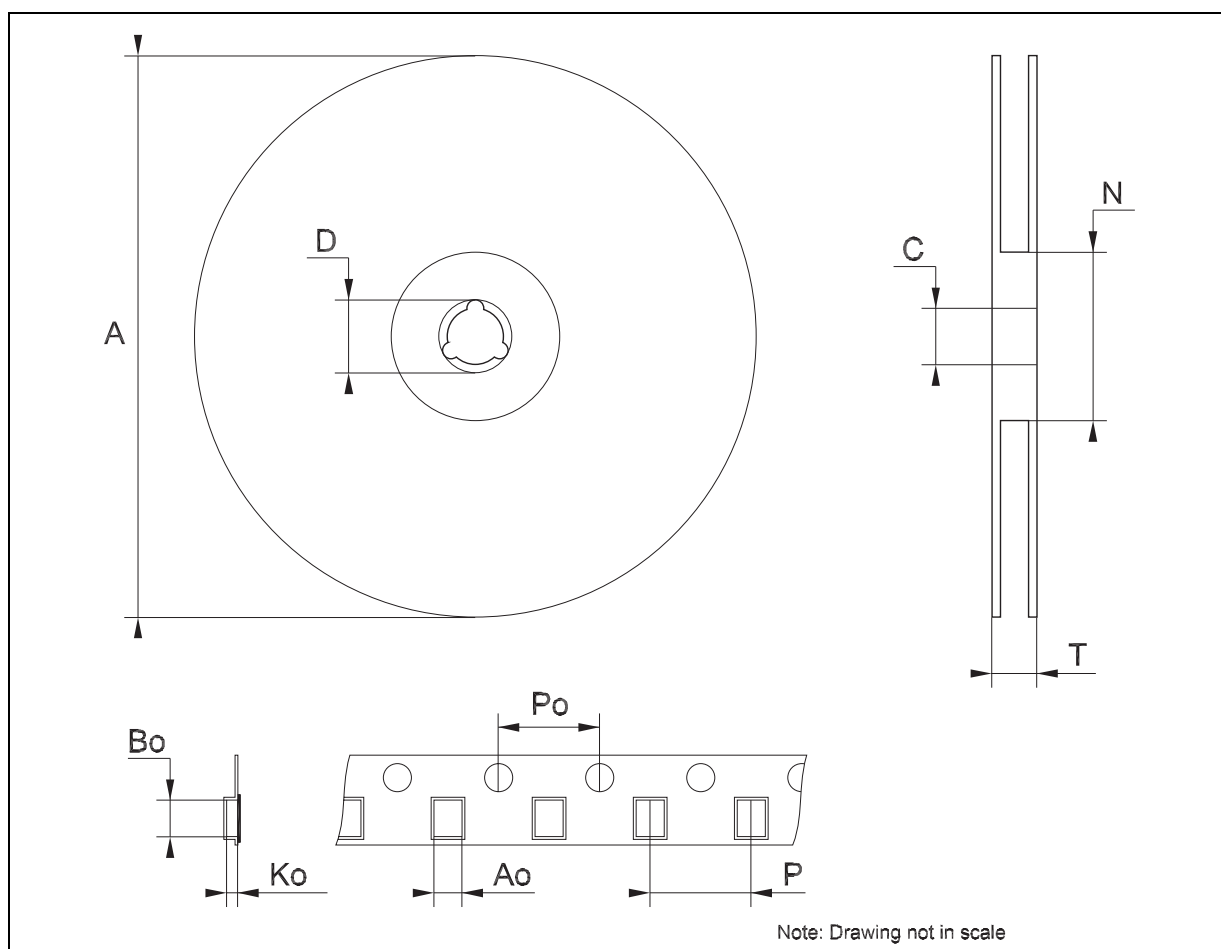
| DIM. | mm. | | | inch | | |
|------|-----------|------|------|-------|-------|-------|
| | MIN. | TYP | MAX. | MIN. | TYP. | MAX. |
| A | 1.35 | | 1.75 | 0.053 | | 0.069 |
| A1 | 0.10 | | 0.25 | 0.04 | | 0.010 |
| A2 | 1.10 | | 1.65 | 0.043 | | 0.065 |
| B | 0.33 | | 0.51 | 0.013 | | 0.020 |
| C | 0.19 | | 0.25 | 0.007 | | 0.010 |
| D | 4.80 | | 5.00 | 0.189 | | 0.197 |
| E | 3.80 | | 4.00 | 0.150 | | 0.157 |
| e | | 1.27 | | | 0.050 | |
| H | 5.80 | | 6.20 | 0.228 | | 0.244 |
| h | 0.25 | | 0.50 | 0.010 | | 0.020 |
| L | 0.40 | | 1.27 | 0.016 | | 0.050 |
| k | 8° (max.) | | | | | |
| ddd | | | 0.1 | | | 0.04 |



0016023/C

Tape & Reel SO-8 MECHANICAL DATA

| DIM. | mm. | | | inch | | |
|------|------|-----|------|-------|------|--------|
| | MIN. | TYP | MAX. | MIN. | TYP. | MAX. |
| A | | | 330 | | | 12.992 |
| C | 12.8 | | 13.2 | 0.504 | | 0.519 |
| D | 20.2 | | | 0.795 | | |
| N | 60 | | | 2.362 | | |
| T | | | 22.4 | | | 0.882 |
| Ao | 8.1 | | 8.5 | 0.319 | | 0.335 |
| Bo | 5.5 | | 5.9 | 0.216 | | 0.232 |
| Ko | 2.1 | | 2.3 | 0.082 | | 0.090 |
| Po | 3.9 | | 4.1 | 0.153 | | 0.161 |
| P | 7.9 | | 8.1 | 0.311 | | 0.319 |



7 Revision history

Table 8. Revision history

| Date | Revision | Changes |
|-------------|----------|---|
| 21-Mar-2006 | 12 | Order codes has been updated and new template. |
| 02-Aug-2006 | 13 | Mistake in cover page first row mA ==> μ A. |

Please Read Carefully:

Information in this document is provided solely in connection with ST products. STMicroelectronics NV and its subsidiaries ("ST") reserve the right to make changes, corrections, modifications or improvements, to this document, and the products and services described herein at any time, without notice.

All ST products are sold pursuant to ST's terms and conditions of sale.

Purchasers are solely responsible for the choice, selection and use of the ST products and services described herein, and ST assumes no liability whatsoever relating to the choice, selection or use of the ST products and services described herein.

No license, express or implied, by estoppel or otherwise, to any intellectual property rights is granted under this document. If any part of this document refers to any third party products or services it shall not be deemed a license grant by ST for the use of such third party products or services, or any intellectual property contained therein or considered as a warranty covering the use in any manner whatsoever of such third party products or services or any intellectual property contained therein.

UNLESS OTHERWISE SET FORTH IN ST'S TERMS AND CONDITIONS OF SALE ST DISCLAIMS ANY EXPRESS OR IMPLIED WARRANTY WITH RESPECT TO THE USE AND/OR SALE OF ST PRODUCTS INCLUDING WITHOUT LIMITATION IMPLIED WARRANTIES OF MERCHANTABILITY, FITNESS FOR A PARTICULAR PURPOSE (AND THEIR EQUIVALENTS UNDER THE LAWS OF ANY JURISDICTION), OR INFRINGEMENT OF ANY PATENT, COPYRIGHT OR OTHER INTELLECTUAL PROPERTY RIGHT.

UNLESS EXPRESSLY APPROVED IN WRITING BY AN AUTHORIZED ST REPRESENTATIVE, ST PRODUCTS ARE NOT RECOMMENDED, AUTHORIZED OR WARRANTED FOR USE IN MILITARY, AIR CRAFT, SPACE, LIFE SAVING, OR LIFE SUSTAINING APPLICATIONS, NOR IN PRODUCTS OR SYSTEMS WHERE FAILURE OR MALFUNCTION MAY RESULT IN PERSONAL INJURY, DEATH, OR SEVERE PROPERTY OR ENVIRONMENTAL DAMAGE. ST PRODUCTS WHICH ARE NOT SPECIFIED AS "AUTOMOTIVE GRADE" MAY ONLY BE USED IN AUTOMOTIVE APPLICATIONS AT USER'S OWN RISK.

Resale of ST products with provisions different from the statements and/or technical features set forth in this document shall immediately void any warranty granted by ST for the ST product or service described herein and shall not create or extend in any manner whatsoever, any liability of ST.

ST and the ST logo are trademarks or registered trademarks of ST in various countries.

Information in this document supersedes and replaces all information previously supplied.

The ST logo is a registered trademark of STMicroelectronics. All other names are the property of their respective owners.

© 2006 STMicroelectronics - All rights reserved

STMicroelectronics group of companies

Australia - Belgium - Brazil - Canada - China - Czech Republic - Finland - France - Germany - Hong Kong - India - Israel - Italy - Japan - Malaysia - Malta - Morocco - Singapore - Spain - Sweden - Switzerland - United Kingdom - United States of America

www.st.com