

# MB511

## 1GHz HIGH SPEED PRESCALER

### HIGH SPEED PRESCALER

The Fujitsu MB511 is a 1.0GHz high speed prescaler that forms a Phase Locked Loop (PLL) circuit when combined with a Fujitsu frequency synthesizer. Based on Fujitsu's advanced Bipolar processing, the MB511 maintains a consistent low power consumption of 23mA @ 5V. In addition, it can detect low amplitude input signals with a sensitivity of -20dBm min.

The MB511 will divide the input frequency a modulus of 1, 2, or 8, and is well suited for applications in CATV and electronically tuned TV.

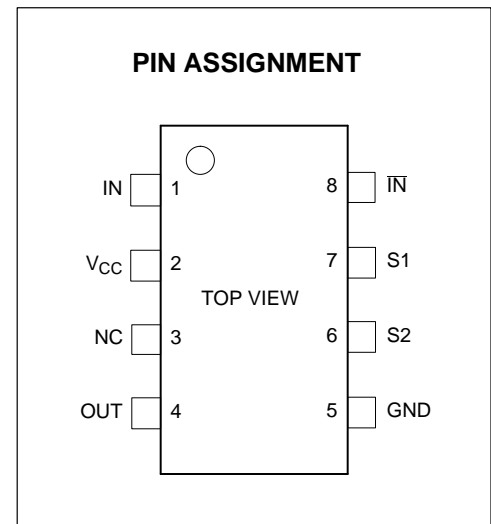
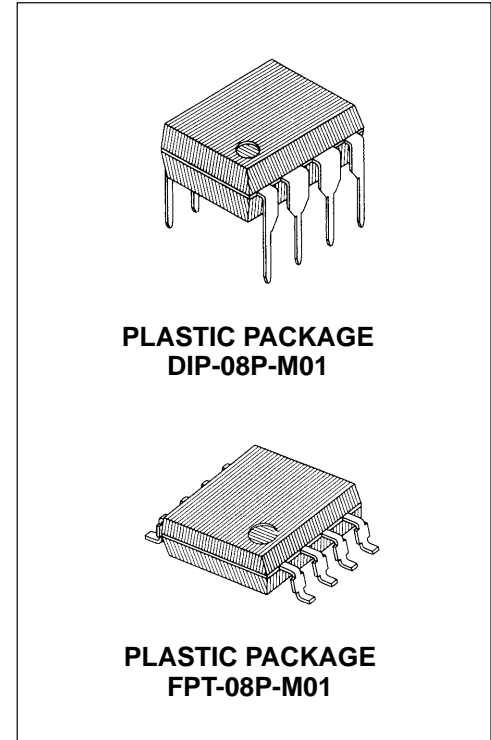
### FEATURES

- Wide operating frequency range:  
 $f_{in} = 50$  to 1000MHz ( $v_{in} = -20$ dBm)
- Maximum operating frequency depends upon a divide ratio:  
1/1: 250MHz max. (Buffer through)  
1/2: 500MHz max.  
1/8: 1000MHz max.
- Low supply current: 23mA @5V
- High input sensitivity: -20dBm min.
- Stable Output Amplitude: 800mVp-p ( $C_L \leq 5$ pF)
- Wide temperature range:  $T_A = -40$  to +85°C
- Plastic 8-pin Dual-In-Line package (Suffix: -P)  
Plastic 8-pin Flat package (Suffix: -PF)

### ABSOLUTE MAXIMUM RATINGS (See Note)

Rating	Symbol	Value	Unit
Power Supply Voltage	$V_{CC}$	-0.5 to +7.0	V
Input Voltage	$V_{IN}$	-0.5 to $V_{CC} + 0.5$	V
Output Current	$I_O$	10	mA
Storage Temperature	$T_{STG}$	-55 to +125	°C

**Note:** Permanent device damage may occur if the above **Absolute Maximum Ratings** are exceeded. Functional operation should be restricted to the conditions as detailed in the operational sections of this data sheet. Exposure to absolute maximum rating conditions for extended periods may affect device reliability.



This device contains circuitry to protect the inputs against damage due to high static voltages or electric fields. However, it is advised that normal precautions be taken to avoid application of any voltage higher than maximum rated voltages to this high impedance circuit.

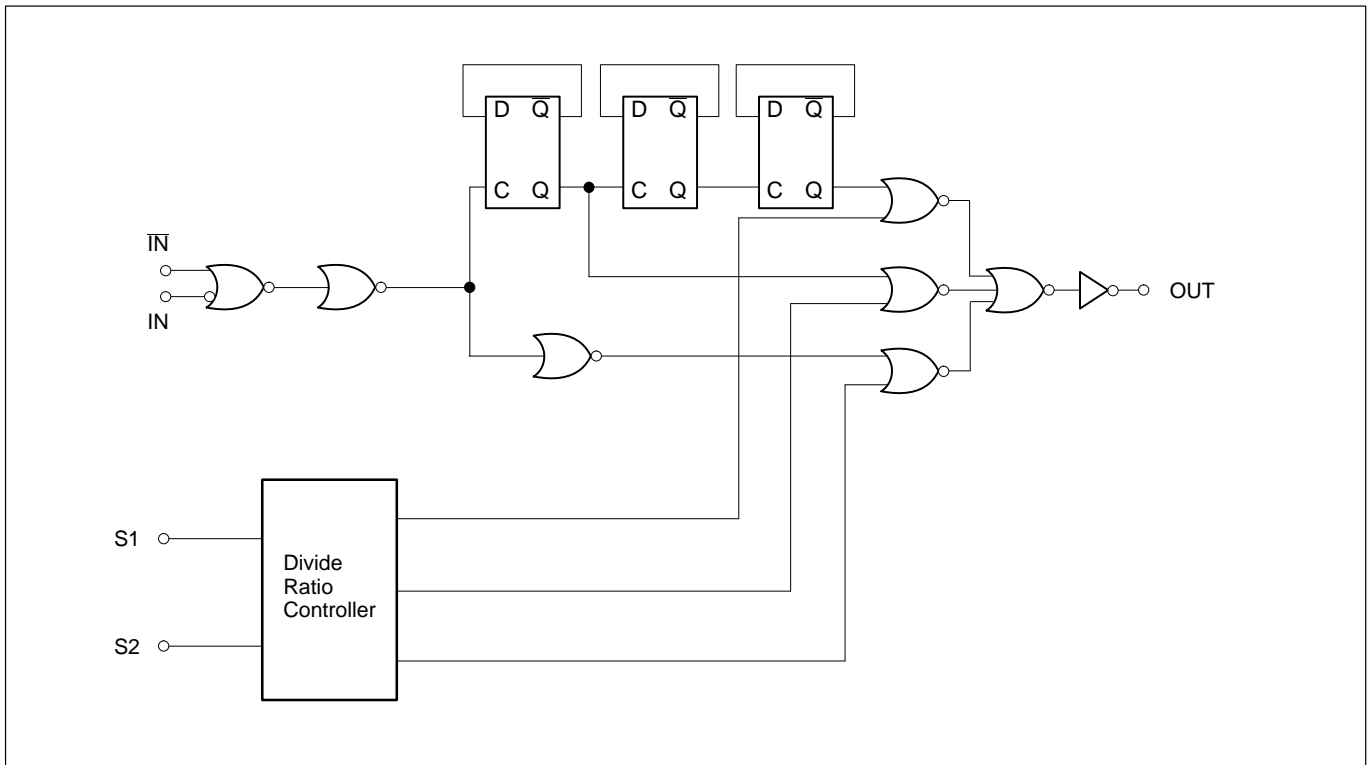


Figure 1. MB511 Block Diagram

### FUNCTION TABLE

S1	S2	Divide Ratio	Operating Frequency
L	L	Not used	—
L	H	1	250MHz
H	L	2	500MHz
H	H	8	1000MHz

H = V<sub>CC</sub>  
L = OPEN

### PIN DESCRIPTIONS

Pin Number	Symbol	I/O	Descriptions
1	IN	I	Input. The connection with VCO should be an AC connection.
2	V <sub>CC</sub>	—	Power supply voltage input.
3	NC	—	No connection.
4	OUT	O	Output. Termination resistor is necessary due to emitter follower output.
5	GND	—	Ground.
6	S2	I	Divide ratio control input.
7	S1	I	Divide ratio control input.
8	IN-bar	I	Complementary Input.

## RECOMMENDED OPERATING CONDITIONS

Parameter	Symbol	Value			Unit	Note
		Min.	Typ.	Max.		
Power Supply Voltage	$V_{CC}$	4.5	5.0	5.5	V	
Operating Temperature	$T_A$	-40		+85	°C	
Load Capacitance	$C_L$			5	pF	Termination resistor 500Ω

## ELECTRICAL CHARACTERISTICS

Parameter		Symbol	Value			Unit	Note
			Min.	Typ.	Max.		
Power Supply Current		$I_{CC}$	15	23	32	mA	Except termination output current.
Output Amplitude		$V_O$	0.4	0.8	1.2	$V_{p-p}$	500Ω termination, $C_L = 5pF$ max.
Input Frequency	1/1	$f_1$	50		250	MHz	Min. value is measured with coupling capacitor of 1000pF.
	1/2	$f_2$	50		500	MHz	
	1/8	$f_3$	50		1000	MHz	
Input Signal Amplitude		$P_{IN}$	-20		+10	dBm	50Ω
High Level Input Voltage	S1, S2	$V_{IH}$	$V_{CC} - 0.7$	$V_{CC}$	$V_{CC} + 0.5$	V	
Low Level Input Voltage		$V_{IL}$		OPEN		V	
Low Level Input Current	S1, S2	$I_{IH}$	40		160	μA	$V_{CC} = 5V$

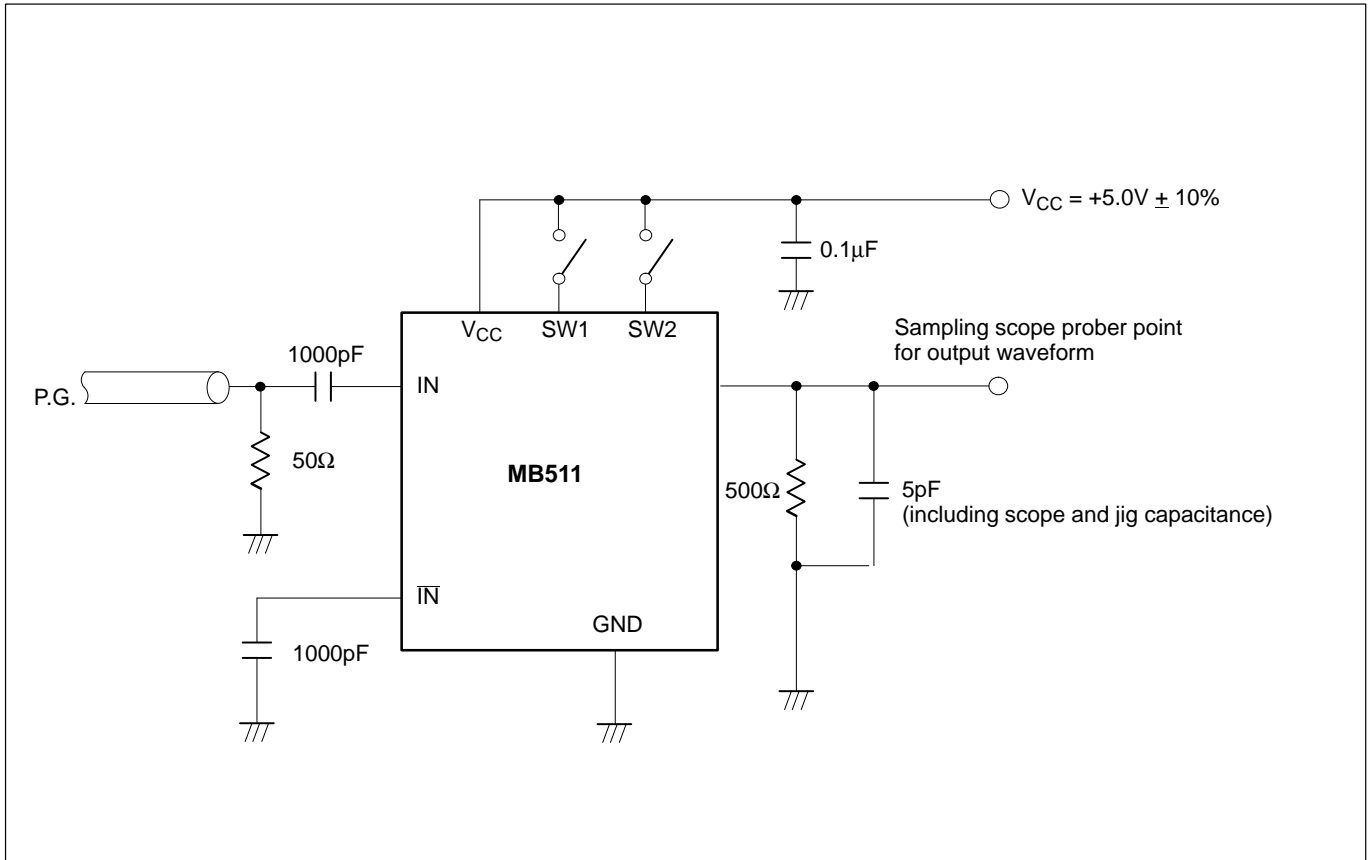
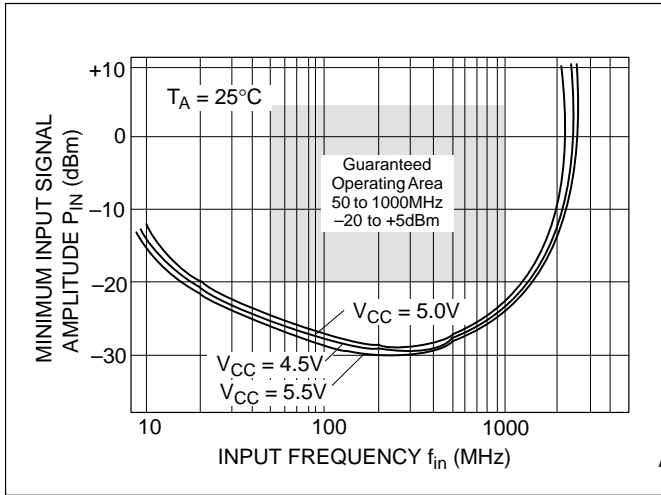
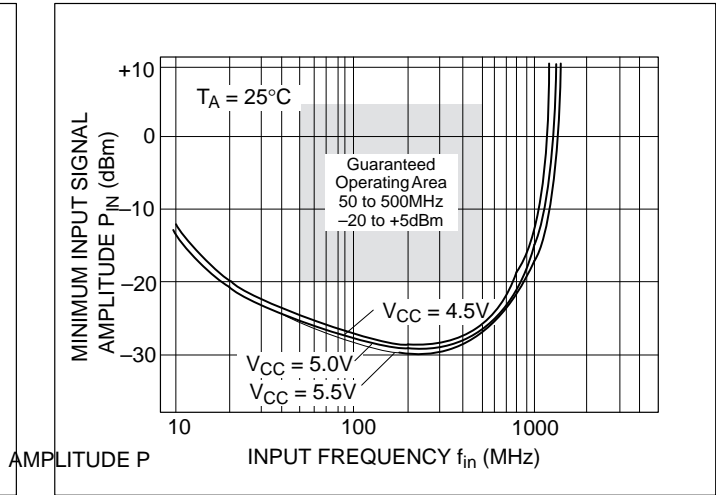


Figure 2. Test Circuit

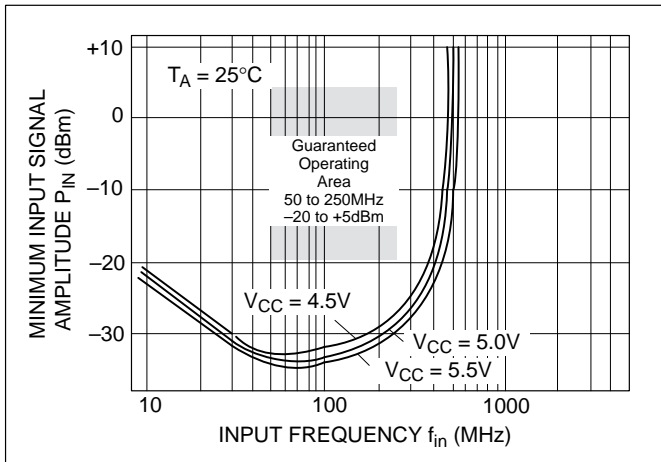
**TYPICAL CHARACTERISTICS CURVES**



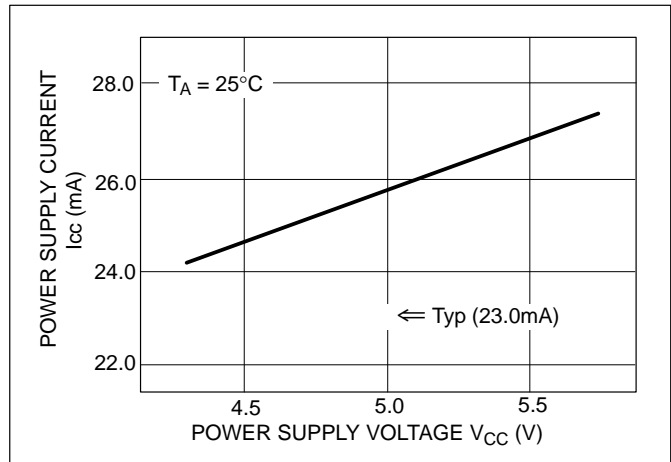
**Figure 3. Input Sensitivity Curve (1/8 Divide Ratio) Power Supply Voltage Dependency**



**Figure 4. Input Sensitivity Curve (1/2 Divide Ratio) Power Supply Voltage Dependency**



**Figure 5. Input Sensitivity Curve (1/1 Divide Ratio) Power Supply Voltage Dependency**



**Figure 6. Power Supply Current vs. Power Supply Voltage**

TYPICAL CHARACTERISTICS CURVES (Continued)

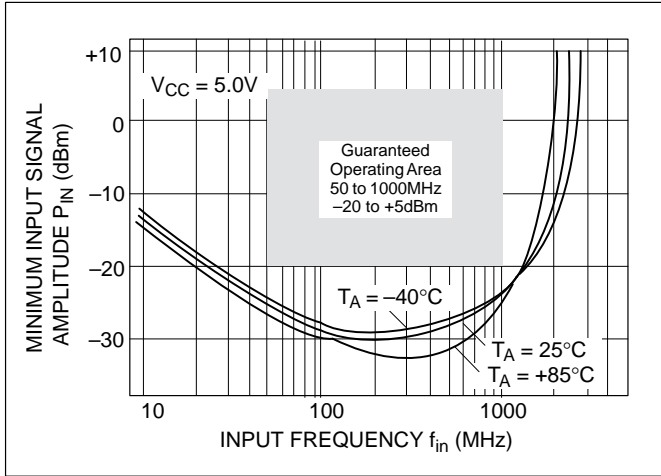


Figure 7. Input Sensitivity Curve (1/8 Divide Ratio) Temperature Dependency

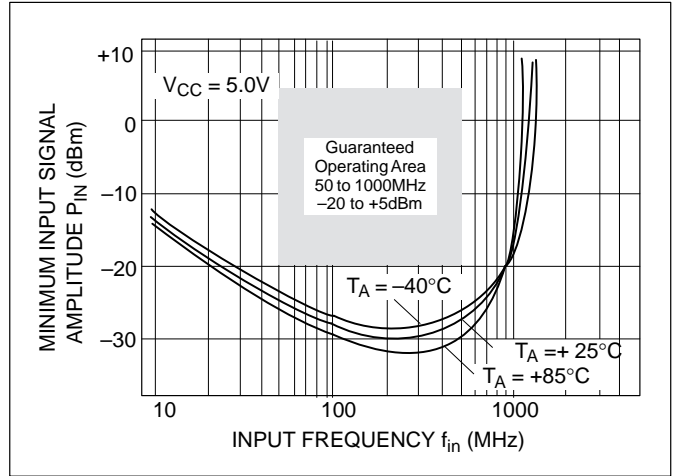


Figure 6. Input Sensitivity Curve (1/2 Divide Ratio) Temperature Dependency

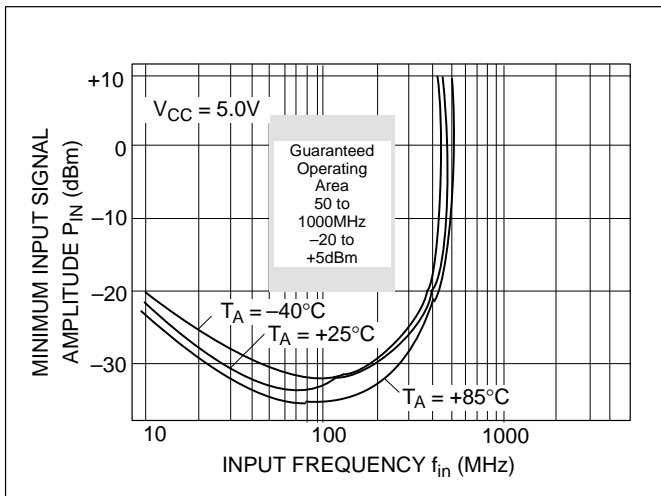


Figure 9. Input Sensitivity Curve (1/1 Divide Ratio) Temperature Dependency

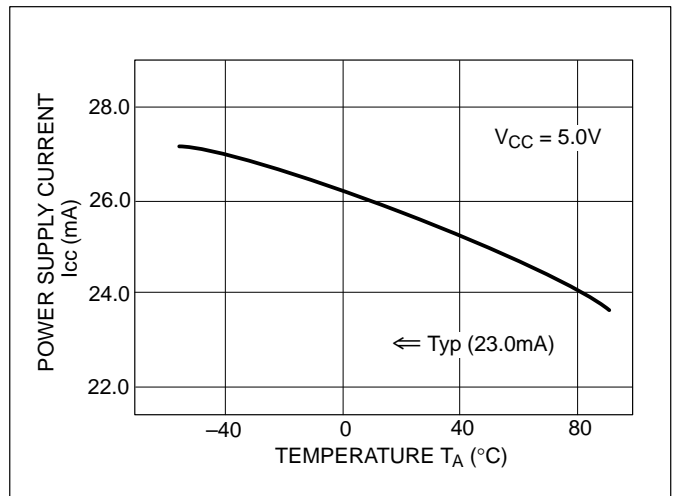
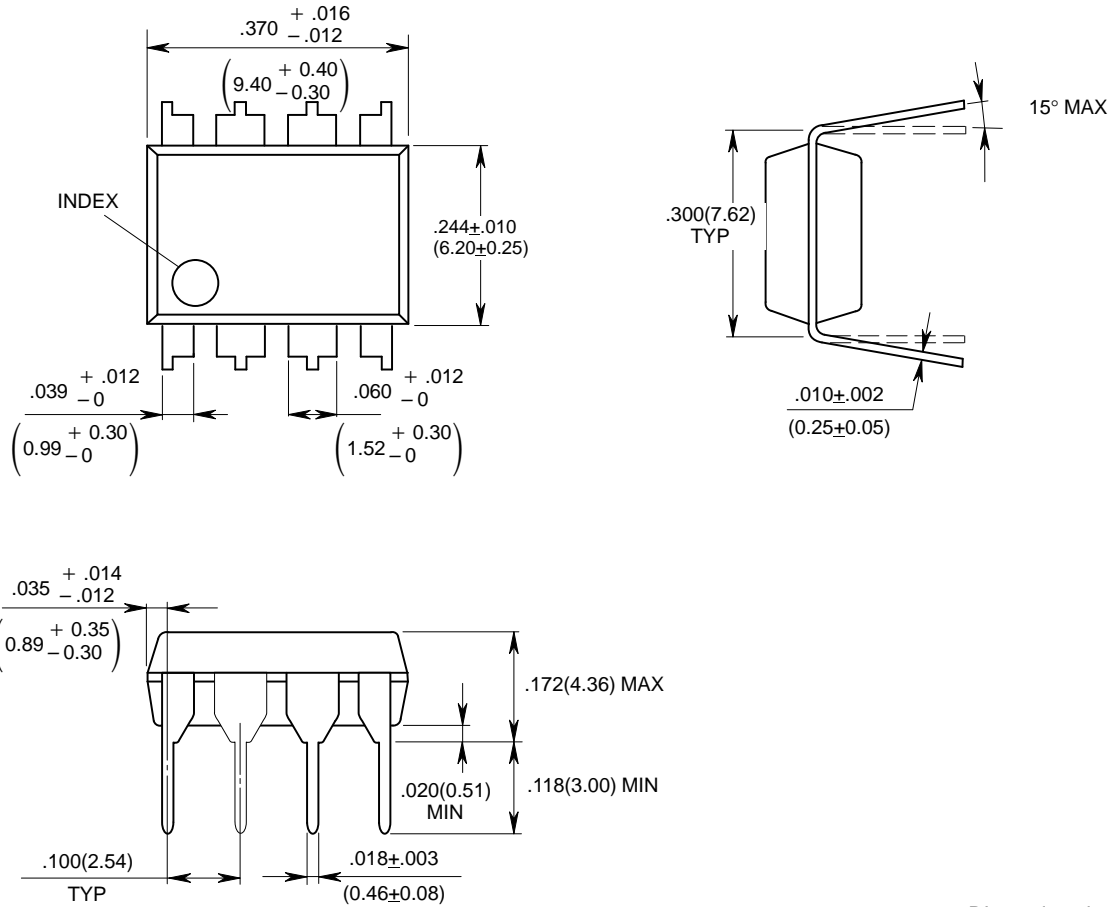


Figure 10. Power Supply Current vs. Temperature

PACKAGE DIMENSIONS

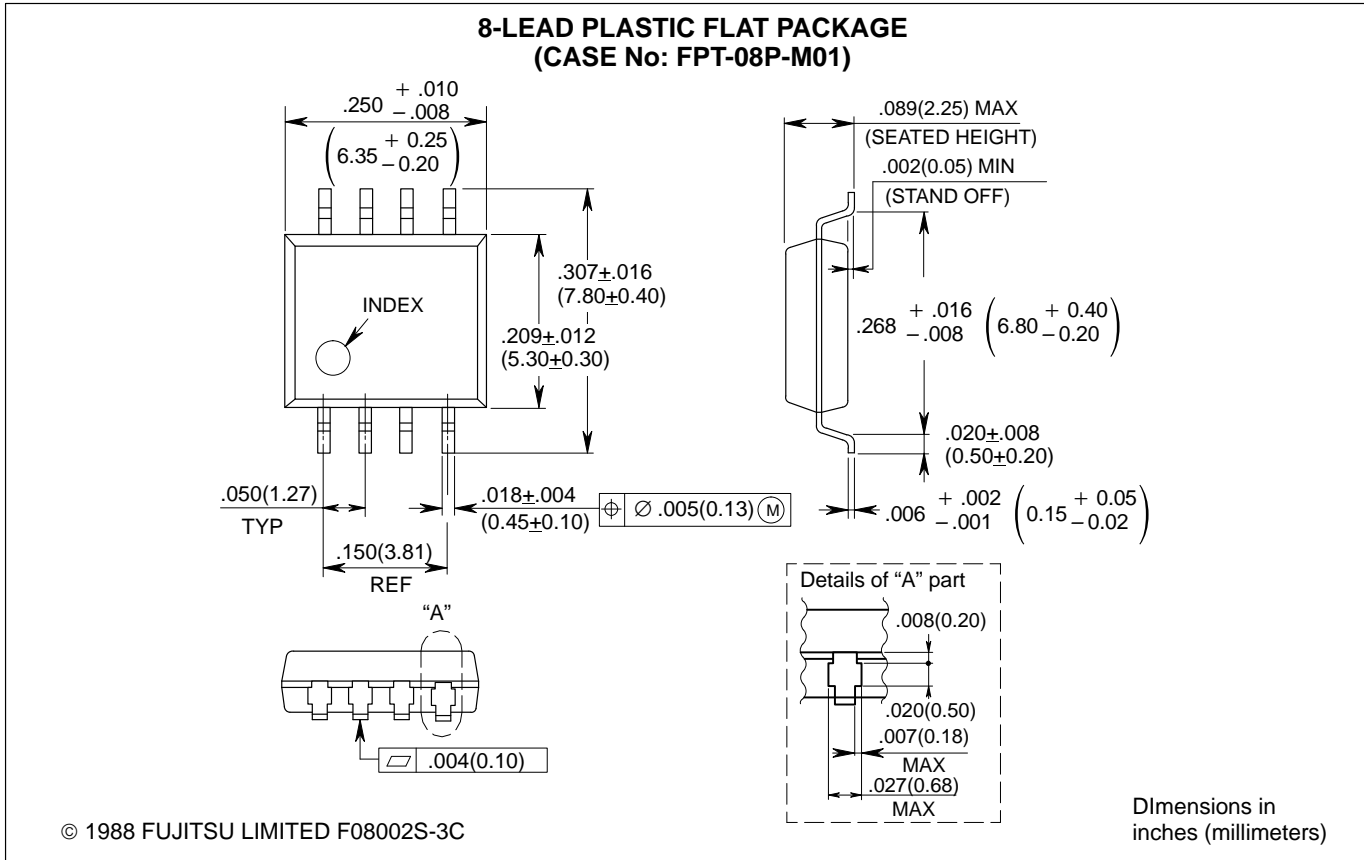
8-LEAD PLASTIC DUAL IN-LINE PACKAGE  
(CASE No: DIP-08P-M01)



© 1988 FUJITSU LIMITED D08006S-2C

Dimensions in inches (millimeters)

PACKAGE DIMENSIONS (Continued)



All Rights Reserved.

Circuit diagrams utilizing Fujitsu products are included as a means of illustrating typical semiconductor applications. Complete information sufficient for construction purposes is not necessarily given.

The information contained in this document has been carefully checked and is believed to be reliable. However, Fujitsu assumes no responsibility for inaccuracies.

The information contained in this document does not convey any license under the copyrights, patent rights or trademarks claimed and owned by Fujitsu.

Fujitsu reserves the right to change products or specifications without notice.

No part of this publication may be copied or reproduced in any form or by any means, or transferred to any third party without prior written consent of Fujitsu.



---

# FUJITSU LIMITED

For further information please contact:

## Japan

FUJITSU LIMITED  
International Marketing Div.  
Furukawa Sogo Bldg., 6-1, Marunouchi 2-chome  
Chiyoda-ku, Tokyo 100, Japan  
Tel: (03) 3216-3211  
Telex: 781-2224361  
FAX: (03) 3215-0662

## North and South America

FUJITSU MICROELECTRONICS, INC.  
Semiconductor Division  
3545 North First Street  
San Jose, CA 95134-1804, USA  
Tel: 408-922-9000  
FAX: 408-432-9044

## Europe

FUJITSU MIKROELEKTRONIK GmbH  
Am Siebenstein 6-10,  
6072 Dreieich-Buchsschlag,  
Germany  
Tel: (06103) 690-0  
Telex: 411963  
FAX: (06103) 690-122

## Asia

FUJITSU MICROELECTRONICS ASIA PTE LIMITED  
51 Bras Basah Road,  
Plaza By The Park,  
#06-04 to #06-07  
Singapore 0719  
Tel: 336-1600  
Telex: 55573  
FAX: 336-1609