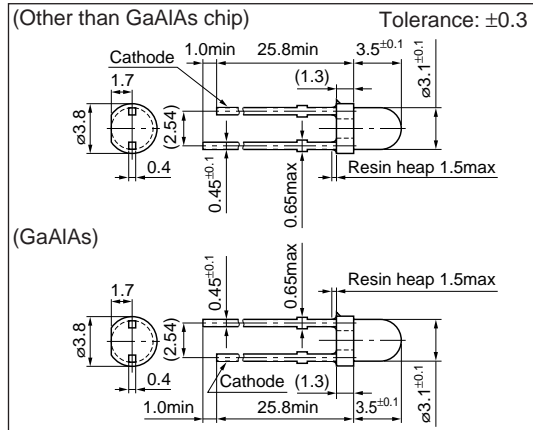


3 ϕ Round Standard LED

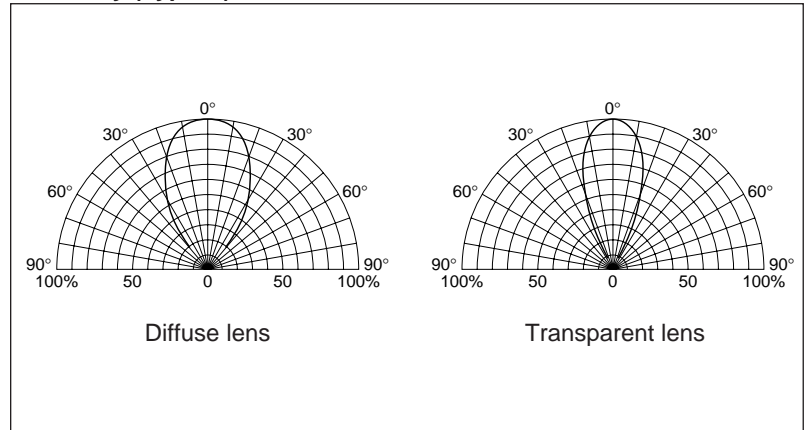
SEL2010 Series

External Dimensions

(Unit: mm)



Directivity (Typical)



Absolute maximum ratings (Ta=25°C)

Symbol	Unit	Rating						Condition
		GaP	GaAsP	GaAlAs	AlGaInP	InGaN	GaN	
I_F	mA	30						
ΔI_F	mA/°C	-0.45						Above 25°C
I_{FP}	mA	100					70	f=1kHz, tw \leq 100 μ s
V_R	V	3		4		5		
Top	°C	-30 to +85			-25 to +85			
Tstg	°C	-30 to +100						

Electrical Optical characteristics (Ta=25°C)

Emitting color	Part Number	Lens color	Forward voltage		Reverse current		Intensity		Peak wavelength		Spectrum half width		Chip material	
			V_F (V)	Condition I_F (mA)	I_R (μ A)	Condition V_R (V)	I_V (mcd)	Condition I_F (mA)	λ_P (nm)	Condition I_F (mA)	$\Delta\lambda$ (nm)	Condition I_F (mA)		
														typ
Deep red	SEL2110S	Transparent red	2.0	2.5	10	50	3	4.0	10	700	10	100	10	GaP
	SEL2110R	Diffused red						1.8						
	SEL2110W	Diffused white						1.8						
High-intensity red	SEL2610C	Clear	1.75	2.2	10	100	3	350	20	660	10	30	10	GaAlAs
Red	SEL2210S	Transparent red	1.9	2.5	10	50	3	40	20	630	10	35	10	GaAsP
	SEL2210R	Diffused red						15						
	SEL2210W	Diffused white						15						
Amber	SEL2810A	Transparent orange	1.9	2.5	10	50	3	22	10	610	10	35	10	GaAsP
	SEL2810D	Diffused orange						9.0						
Orange	SEL2910A	Transparent orange	1.9	2.5	10	50	3	16	10	587	10	33	10	GaAsP
	SEL2910D	Diffused orange						8.0						
Ultra-high-intensity yellow	SELU2710C	Clear	2.0	2.5	10	100	4	270	20	572	10	15	10	AlGaInP
Yellow	SEL2710K	Transparent yellow	2.0	2.5	10	50	3	40	10	570	10	30	10	GaP
	SEL2710Y	Diffused yellow						14						
Green	SEL2410E	Transparent green	2.0	2.5	10	50	3	77	20	560	20	20	10	GaP
	SEL2410G	Diffused green						20						
Pure green	SEL2510C	Clear	2.0	2.5	10	50	3	43	20	555	10	20	10	InGaN
	SEL2510G	Diffused green						8.2						
Ultra-high-intensity pure green	SELU2D10C	Clear	3.3	4.0	20	10	5	1200	20	525	10	35	10	InGaN
Ultra-high-intensity blue	SELU2E10C	Clear						400						
Blue	SEL2E10C	Clear	3.8	4.8	20	10	5	60	20	430	10	65	10	GaN