

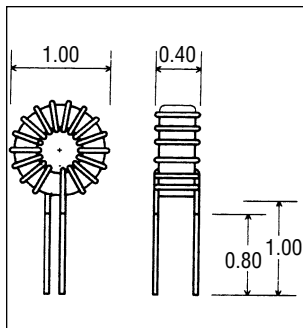
CTP4548 is a high current inductor with the following data and features:

- **Core type:** 0.80" o.d., Iron Powder, perm 33.
  - **Power rating:** 1.2 watts for temp. rise 50°C.
  - **Typical applications:** Filter Inductors in Switch Mode Power Supplies.
- Four mounting styles are offered:**
- 1 Flying leads (1.00"), for vertical or horizontal mounting.
  - 2 4-pin header, for vertical mounting.
  - 3 Threaded center hole, flying leads (2.00").
  - 4 2-pin header, for vertical mounting.

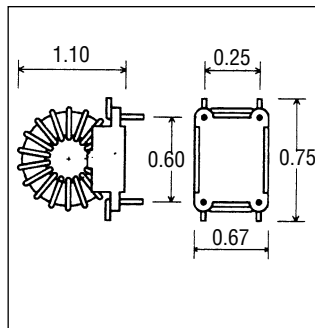


## MECHANICAL

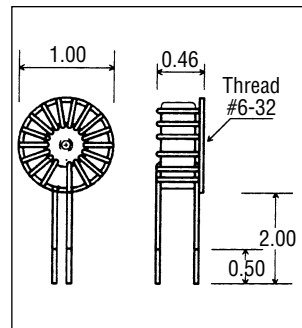
Style 1



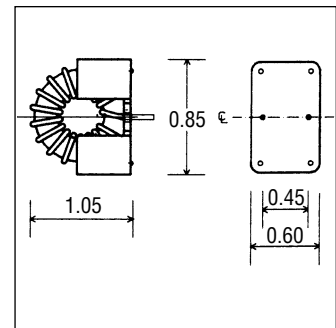
Style 2



Style 3



Style 4



## ELECTRICAL SPECIFICATION

**Ordering Information:** Substitute the style number for the asterisk (\*). Example: CTP4548, Style 1, 56uH. Order: CTP4548 - 116

Part No. CTP4548 -	Inductance (uH)	DCR Ohms	Rated Current Amp. RMS	I (amp.) @ Lsat. 10%	I (amp.) @ Lsat. 25%	I (amp.) @ Lsat. 50%
* 01	3.3	0.004	18.1	9.5	23.7	56.9
* 02	3.9	0.004	17.4	8.7	21.8	52.3
* 03	4.7	0.004	16.6	7.9	19.8	47.6
* 04	5.6	0.005	15.9	7.3	18.2	43.6
* 05	6.8	0.005	15.2	6.6	16.5	39.6
* 06	8.2	0.006	14.5	6.0	15.0	36.1
* 07	10	0.006	13.8	5.4	13.6	32.7
* 08	12	0.007	13.2	5.0	12.4	29.8
* 09	15	0.010	11.2	4.4	11.1	26.7
* 10	18	0.010	10.7	4.1	10.1	24.3
* 11	22	0.012	10.2	3.7	9.2	22.0
* 12	27	0.016	8.6	3.3	8.3	19.9
* 13	33	0.018	8.2	3.0	7.5	18.0
* 14	39	0.024	7.0	2.8	6.9	16.5
* 15	47	0.027	6.7	2.5	6.3	15.1
* 16	56	0.029	6.4	2.3	5.8	13.8
* 17	68	0.040	5.4	2.1	5.2	12.5
* 18	82	0.044	5.2	1.9	4.8	11.4
* 19	100	0.062	4.4	1.7	4.3	10.3
* 20	120	0.068	4.2	1.6	3.9	9.4
* 21	150	0.096	3.5	1.4	3.5	8.4
* 22	180	0.105	3.4	1.3	3.2	7.7
* 23	220	0.116	3.2	1.2	2.9	7.0
* 24	270	0.161	2.7	1.0	2.6	6.3

CTP4548