

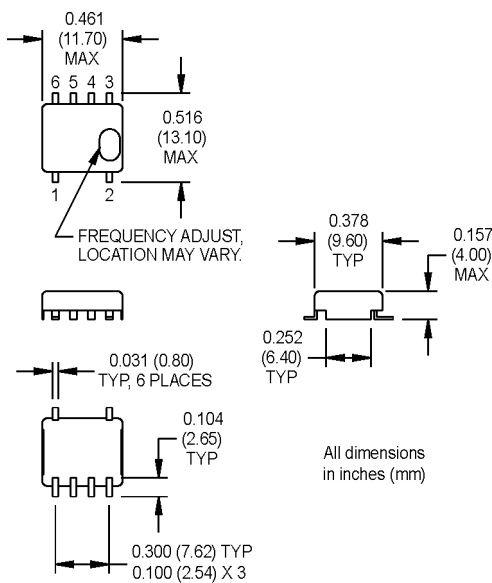
MTCO11/21 Series

13.1 x 11.7 mm, 3.0 or 5.0 Volt, Clipped Sinewave, TCXO



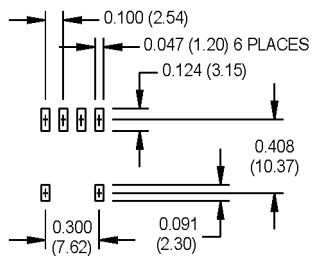
Small size, high precision TCXO available in standard frequencies for telecommunications and other RF applications requiring clipped sinewave output with low power consumption. Operating voltage of 3 V or 5 V available.

| MODEL NO. | SPECIFICATIONS |
|-----------|---|
| MTCO-11A5 | -15°C to +55°C, ±2.5 ppm, V _{cc} = 5.0 V ±5% |
| MTCO-11A3 | -15°C to +55°C, ±2.5 ppm, V _{cc} = 3.0 V ±5% |
| MTCO-21A5 | -30°C to +75°C, ±2.5 ppm, V _{cc} = 5.0 V ±5% |
| MTCO-21A3 | -30°C to +75°C, ±2.5 ppm, V _{cc} = 3.0 V ±5% |



All dimensions in inches (mm)

SUGGESTED SOLDER PAD LAYOUT



Electrical Specifications

| PARAMETERS | VALUE | |
|---|----------------------------------|----------------|
| Frequency Range | 12.800 to 20.000 MHz | |
| Stability | ±2.5 ppm | |
| Stability with ±5% V _{cc} Change | ±0.5 ppm | |
| Aging | ±1 ppm/yr. Max. | |
| Operating Temperature | -15°C to +55°C or -30°C to +75°C | |
| Storage Temperature | -40°C to +85°C | |
| Supply Voltage | 5.0 V ±5% | 3.0 V ±5% |
| Supply Current | 3 mA Max. | |
| Output (Clipped Sinewave)* | 1.0 V p-p Min. | 0.7 V p-p Min. |
| Frequency Adjustment (Int. Trimmer) | ±3 ppm Min. | |

- Load of 10K Ω in parallel with 10 pF.
- See load circuit diagram #7.

Pin Connections

| PIN | FUNCTION |
|-----|------------------|
| 1 | Ground |
| 2 | Ground |
| 3 | Output |
| 4 | Ground |
| 5 | N/C |
| 6 | +V _{cc} |