

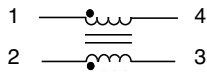


- Noise Suppression Choke
- 5 A Max. Rated Current
- 250 Vrms Isolation

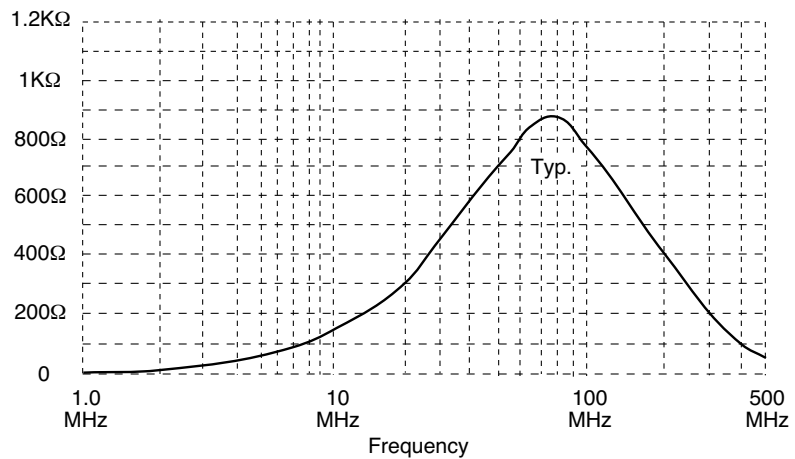
Electrical Parameters @ 25° C

Inductance ($\mu\text{H} \pm 30\%$)	Impedance (Ω Min.)	DCR ($\text{m}\Omega$ Max.)	Turns Ratio	SRF (MHz Typ.)
	@100 MHz			
1.5	600	11	1 : 1	80
Pins 1-4, 2-3	Pins 1-4, 2-3	Pins 1-4, 2-3	Pins 1-4 : 2-3	

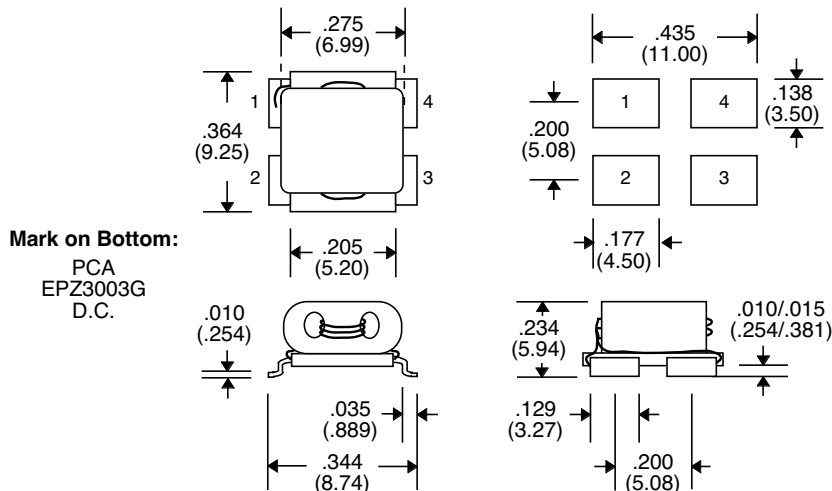
Schematic



Impedance Curve



Package



Unless Otherwise Specified Dimensions are in Inches /mm $\pm .010 / .25$